

DIMENSIONAL VARIABLES

DRAWING NOT TO SCALE; DIMENSIONS IN INCHES

DOOR NO.	A	B	C	F	M	K	H
MILLIMETERS							

ACTUAL DOOR SIZE IS PRODUCED IN MILLIMETERS
REQUESTED DOOR SIZE IS CONVERTED TO MILLIMETERS
AND ROUNDED UP TO THE NEAREST 10MM

ELECTRICAL OPTIONS

- 460v - 3ph
- 230v/208v - 3ph
- 230v - 1ph
- 480v OPEN DELTA, UNGROUNDED (\$)
- 575v - 3ph (\$)
(INCLUDES NEMA 4 METAL ENCLOSURE WITH 575/460 TRANSFORMER)

STANDARD FEATURES

- SIDE COLUMN AND HEAD CONSOLE POWDER COATED RYTEC SILVER.
- INTELLIGENT LIGHT CURTAIN SYSTEM IN DOOR LINE TO 6'-0" ABOVE FINISHED FLOOR.
- SMARTSURROUND ADVANCED DETECTION AND ALERT SYSTEM.
- VARIABLE DOOR OPENING SPEED; UP TO 24"/SEC.
- PROGRAMMABLE UPPER AND LOWER LIMITS.
- NEMA 4X SYSTEM 4 CONTROL BOX (8.5"x16.5").
- BRAKE RELEASE LEVER ON SIDE COLUMN.

UPGRADE OPTIONS

- RIGHT HAND DRIVE
- ROTARY DISCONNECT (\$)
- BTAA (BLUETOOTH ACCESS TERMINAL) (\$)
NIGHT SWITCH FUNCTION: _____
- SELECTOR SWITCH ON CONTROL BOX (\$)
FUNCTION: _____
- FULL HEIGHT ACTIVE REVERSING EDGE SENSOR (\$)

PANEL OPTIONS

- INSULATED SOLID SLATS (\$)
- WINDOWS (\$)
 1 2 3 4 OTHER _____
- VENTS (\$)
 1 2 3 4 OTHER _____
- VISION HEIGHT (DIM 'J')
 33" 39" 51"

UP TO FOUR (4) VISION/VENT SLATS PER GROUP WITH AT LEAST ONE (1) SOLID SLAT SEPARATING GROUPS.

OR UP TO SEVEN (7) VISION/VENT SLATS PER GROUP W/ AT LEAST TWO (2) SOLID SLATS SEPARATING GROUPS.

ACTIVATION OPTIONS (\$)

- PUSHBUTTON
- PULL CORDS
- MOTION DETECTOR
- PRESENCE DET.
- MOTION/PRESENCE
- DUAL LOOP CONTROLLER
- RADIO CONTROL RCVR (INCLUDE MIN 2 XMIT)
— 1 BTN TRANSMITTER
— 2 BTN TRANSMITTER
— 4 BTN TRANSMITTER

OPTION NOTES

(\$) = PRICING CHANGE IF NOT INCLUDED IN QUOTE

PLEASE SPECIFY VOLTAGE

RYTEC CORPORATION

ONE CEDAR PARKWAY, JACKSON, WI 53037-0403

APPROVAL DRAWING

SPIRAL LP MODEL SSN-LP-S

DOOR WIDTHS 13'-2" TO 20'-0", HEIGHT UP TO 12'-0"

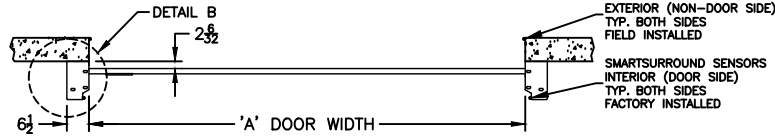
CUSTOMER: _____

LOCATION: _____

DATE: _____

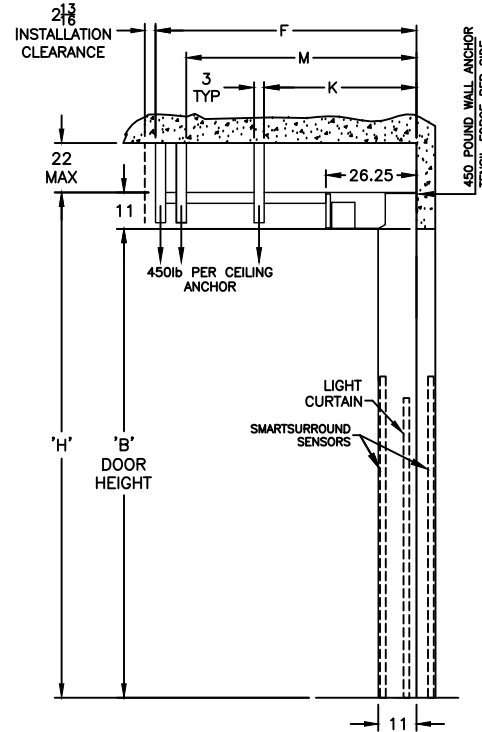
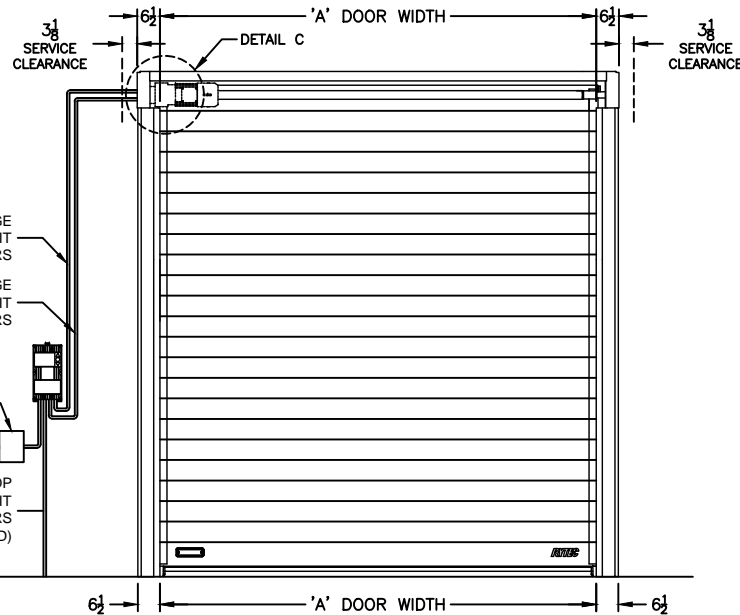
DRAWING NO.: 732-01T

REV.: _____



SMARTSURROUND SENSORS EXTERIOR (NON-DOOR SIDE) TYP. BOTH SIDES FIELD INSTALLED

SMARTSURROUND SENSORS INTERIOR (DOOR SIDE) TYP. BOTH SIDES FACTORY INSTALLED

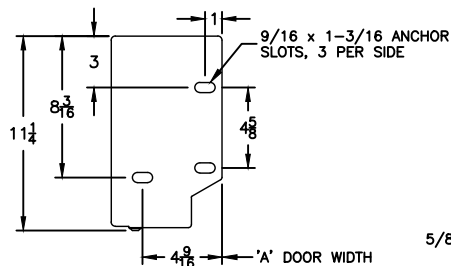


HIGH VOLTAGE CONDUIT BY OTHERS

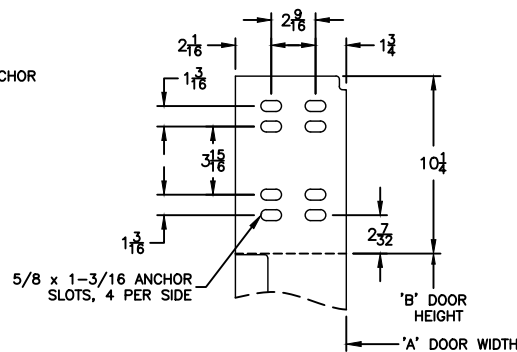
LOW VOLTAGE CONDUIT BY OTHERS

3Ø FUSED DISCONNECT BY OTHERS

FLOOR LOOP CONDUIT BY OTHERS (IF REQUIRED)



DETAIL B



DETAIL C

FORMULAS

$F = (B + 30.50); \text{ FOR } B < 91$
 $F = (B + 11.00); \text{ FOR } B \geq 91$

$M = (B + 20.00); \text{ FOR } B < 91$
 $M = B; \text{ FOR } B \geq 91$

$K = \text{NOT REQ'D}; \text{ FOR } B < 99$
 $K = 72.00; \text{ FOR } B \geq 99$

FINAL APPROVAL SIGNATURE

FABRICATION CAN PROCEED ACCORDING TO THE SPECIFICATION SHOWN EXCEPT AS NOTED

APPROVED BY: _____

PRINT NAME: _____

SIGNATURE: _____

DATE: _____

REV	DESCRIPTION	DATE	BY