



INVICTA®

FUEL TANK STRAP AND
ACCESSORIES



SIEVES INOX



BLIND CAPS



ANTI - THEFT DEVICE



FUEL TANK CONNECTOR KIT



FUEL TANK RUBBER PRODUCTS: PADS, STRAPS, BEADINGS



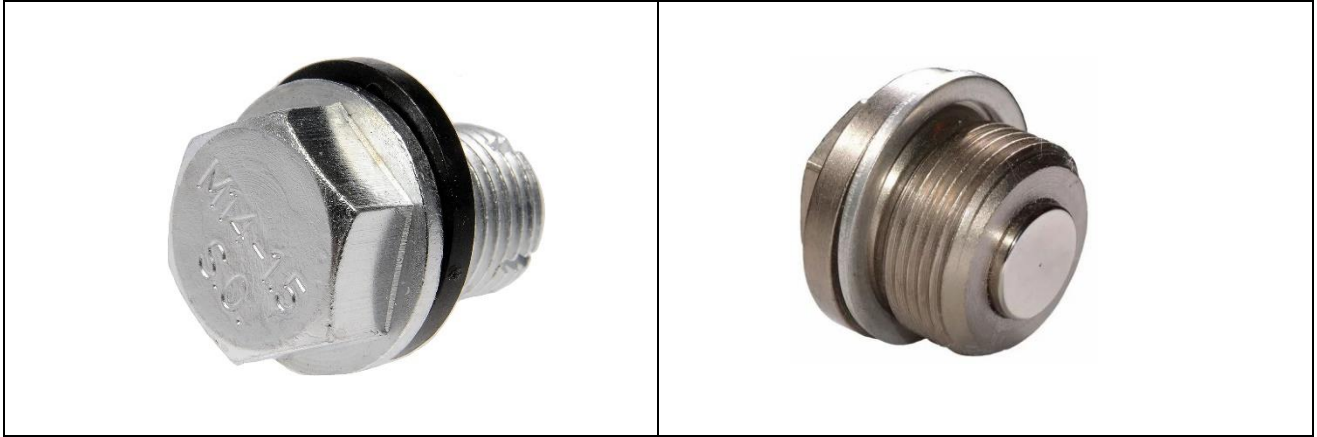
FUEL TANK STRAPS (SPANNBAND)



DISE PAD LOCK

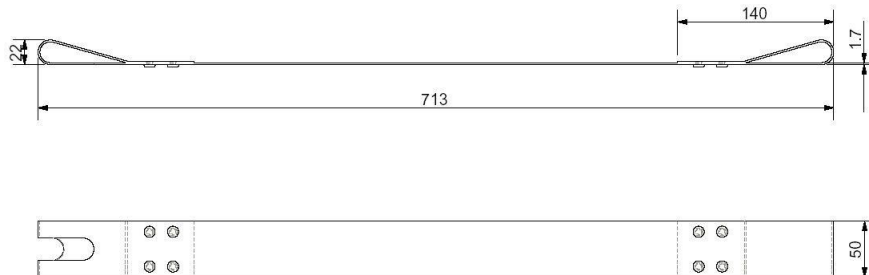


DRAIN PLUG

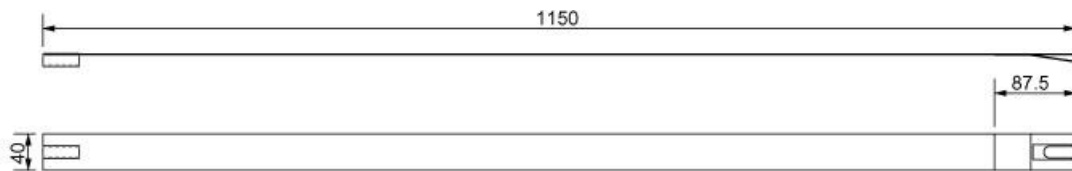


TENSIONING STRAPSPANNBAND

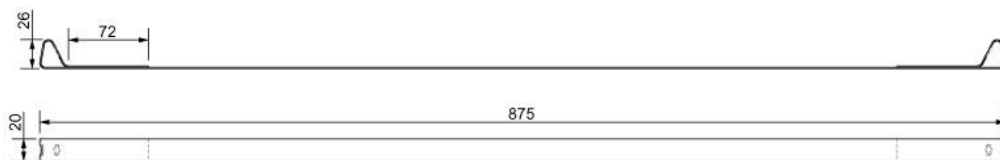
Tensioning Strap, two loops,zinc plated
Spannband, zwei Schlaufen,galvanisch verzinkt - 01



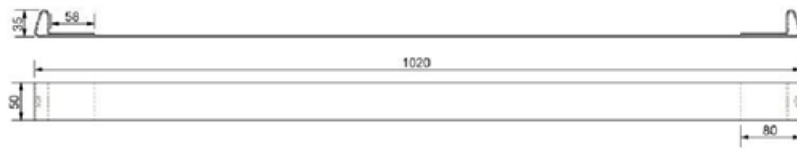
Tensioning Strap, loop and bush,zinc plated
Spannband, eine Schlaufe undHuese, galvanisch verzinkt - 02



Tensioning Strap, two loops,zinc plated
Spannband, zwei Schlaufen,galvanisch verzinkt - 03

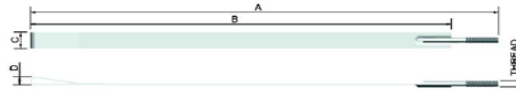


**Tensioning Strap, two loops,zinc plated
Spannband, zwei Schlaufen,galvanisch verzinkt - 04**

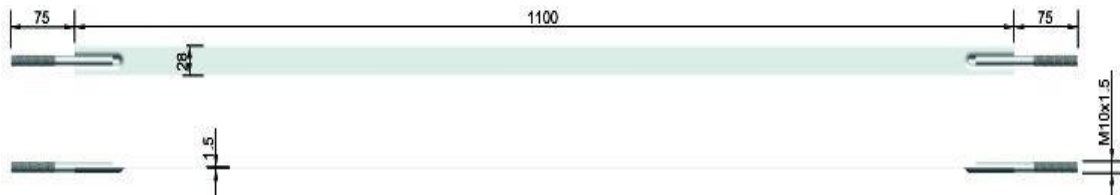


**Tensioning Strap, one loop,one thread bolt, zinc plated Spannband, eine
Schlaufe, Gewindebolzen, galvanisch verzinkt - 05**

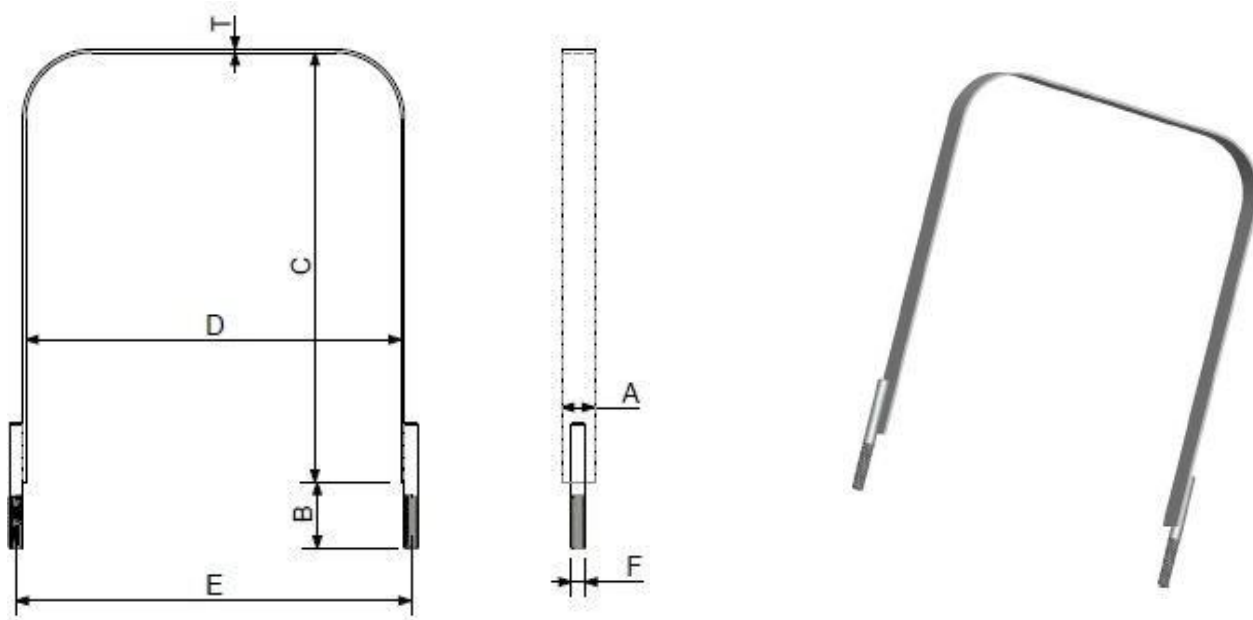
A	B	C	D	THREAD
745	670	30	15	M10
1024	950	35	15	M10



**Tensioning Strap, two thread bolt,zinc plated Spannband, zwei Gewindebolzen
galvanisch verzinkt - 06**

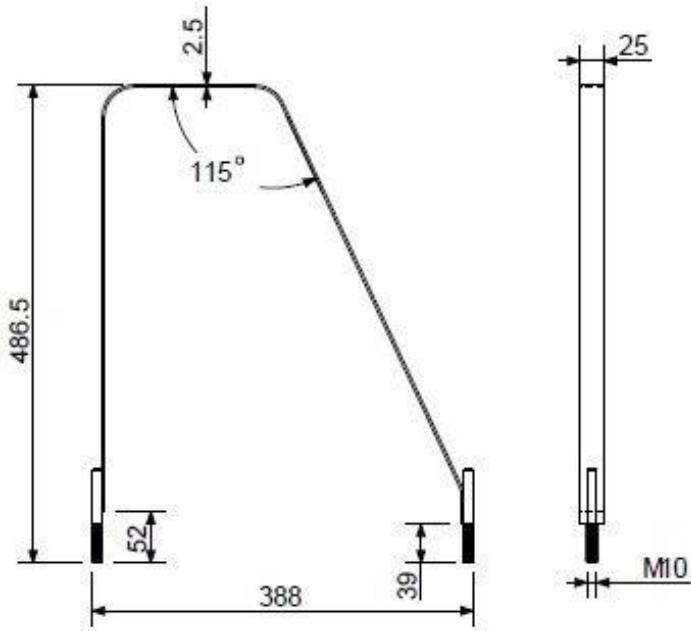


Tensioning StrapSpannband – 07

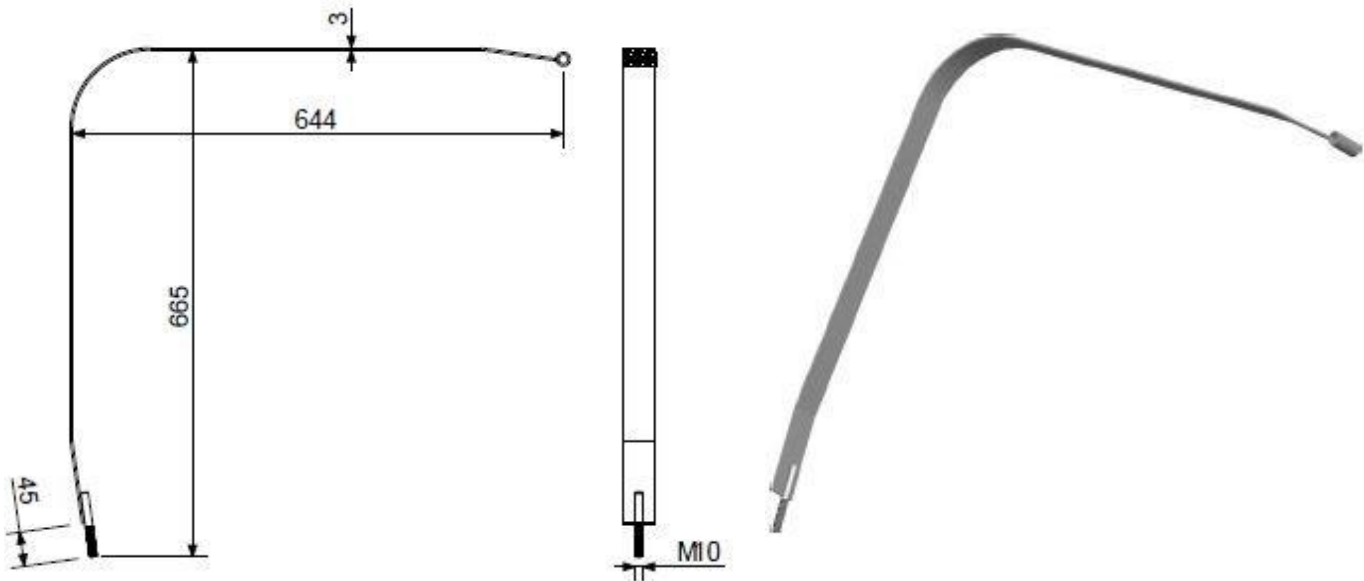


A	B	C	D	E	F	T
25	50	325	284	299	M10	2.5
25	50	130	240	255	M10	2.5
25	45	223	505	520	M10	2.5
25	90	333	592	607	M10	2.5
40	50	325	283	301	M10	4
40	45	614	264	280	M10	3
25	45	483	245	260	M10	2.5
25	45	570	355	370	M10	2.5
25	45	333	592	607	M10	2.5
40	45	662	316	332	M10	3
40	45	313	754	770	M10	3

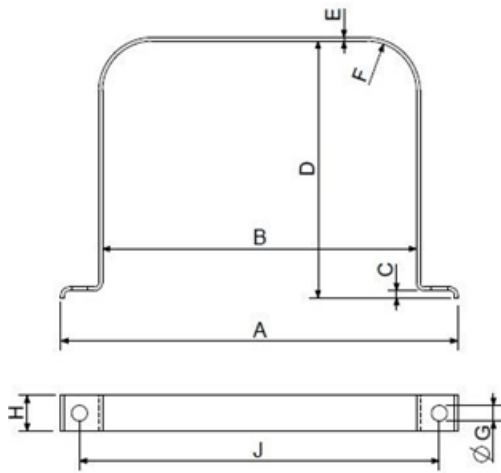
Tensioning strap Spannband – 08



Tensioning strap Spannband – 09

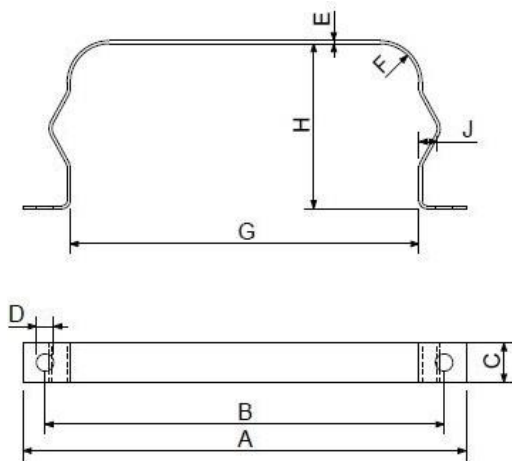


Tensioning strapSpannband – 10



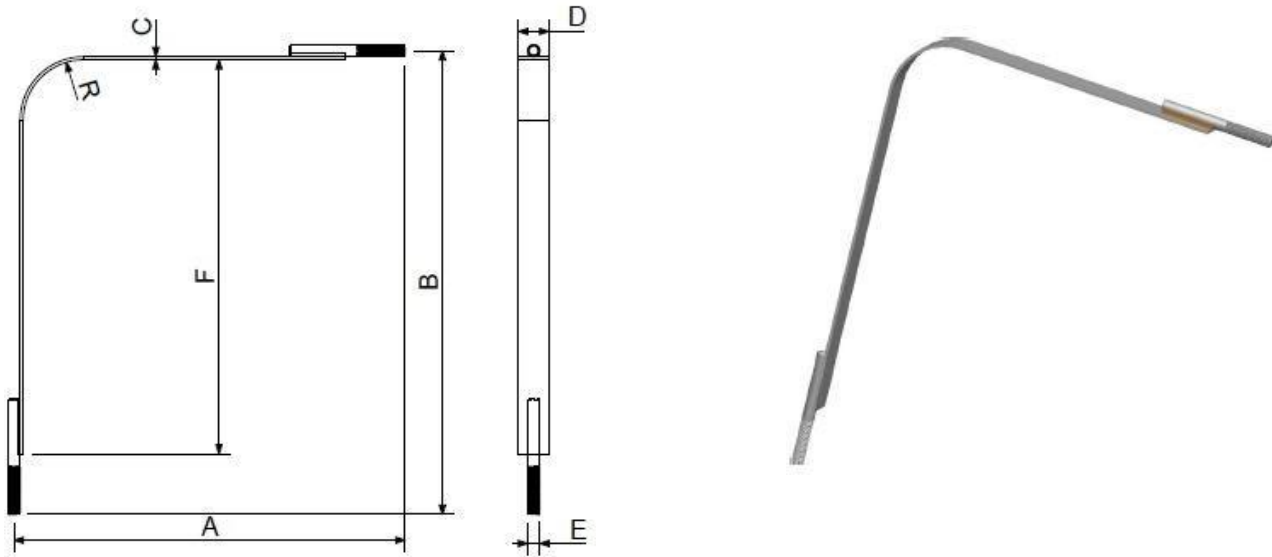
A	B	C	D	E	F	G	J	H
278	220	5	180	2.5	35	11	252	25
338	280	5	200	2.5	35	11	312	25

Tensioning strapSpannband – 11



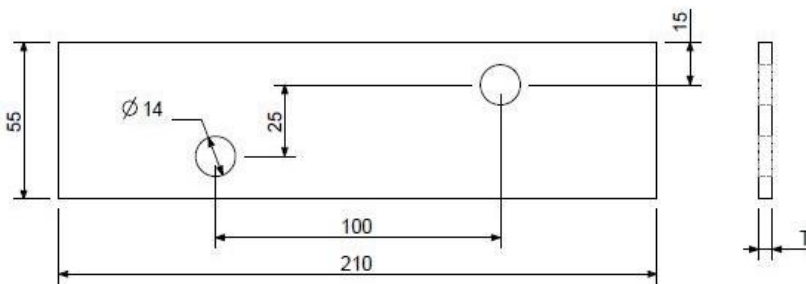
A	B	C	D	E	F	G	J	H
268	254	25	11	2.5	25	222	11.5	145
282	254	25	11	2	35	222	312	105

Tensioning strapSpannband – 12



A	B	C	D	E	F	R
322	332	2.5	25	M10	325	50
176	431	3	40	M10	424	15
210	560	3	40	M10	553	15

Tensioning strapSpannband – 13



CONTACT INFORMATION

Invicta India Pvt. Ltd.
N-258/B GK-1
New Delhi
India

REX Consolidated
80 DLF Industrial Area Phase I
Faridabad Haryana-121003
India

© Copyright 2021 Invicta India Pvt. Ltd.

All information and data stated in this Product Range document has been compiled with utmost care. Nevertheless, Invicta accepts no liability for any errors, omissions or other inaccuracies contained herein. Subject to change without notice. Reprinting or reproduction, in whole or in part, including of photographs, illustrations or graphics, is not permitted without the prior written consent of Invicta India Pvt. Ltd.. We reserve all rights in connection with this document.

Any similarity or resemblance is unintended and is merely a coincidence.

The vehicle applications cited in this Product Range document may possibly be valid only up to the date printed on the last page of the document. All references made in this Product Range document to the item numbers of vehicle manufacturers and/or competitors are provided for the purpose of comparison only. Such information is not allowed to be used in invoices issued to vehicle owners.

For enquiries, please email us : rahul@invictaindia.com