



Standard Vet *Revolutionizing a new gold standard*

32kW High Frequency Compact Generator • Anatomical Programming (APR) • Variable Focal Distance Rotor Brake • 4 Way Float Top Table • Heavy Gauge Steel Construction • Moveable Grid Cabinet

High Frequency X-ray Generator

400 mA
125 kVp
500mAs
Serial interface control
Push button console with APR window
Anatomical Programmed Radiography (APR)
208/220/240 VAC Single Phase Power
Exposure Foot pedal

Variable Tube Stand and Table

Variable SID for table top and cassette tray
Tube stand longitudinal motion stationary
Rotating tube head and collimator
5 foot long 4 way float top table
Foot treadle to operate table locks
Hands free collimator light control
Manual Collimator with light switch
Grid Cabinet with 8:1 103LP Grid
Stainless steel cassette tray

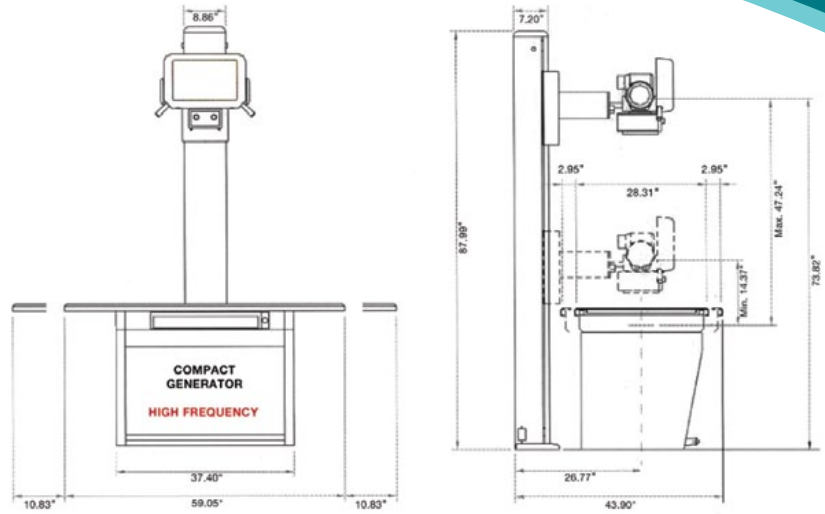
X-ray Tube – Rotating Anode

1.0/2.0 Focal Spots
16° Target Angle
140,000 HU
6 meter HV cables

Optional Features

Fractional Focal Spot X-ray tube
Non-certified medical collimator
3 phase and battery powered generators





Vet Ray Standard Vet X-ray System Dimensions

Recommended X-ray Room Specifications

Room size: 8' x 10' (it will work in a smaller room)

Shielding requirements for X-ray room: Check with the local building code or State Physicist for specific requirements.

Ceiling height: 7 feet 4 inches

X-ray System Power Requirements

The Standard Vet system is powered by a High Frequency X-ray Generator. There are certain requirements that must be met in order for the system to operate correctly. These requirements are dependant on these three factors:

1. Incoming power to the x-ray room for the x-ray generator
2. Distance from the main power in the building to the x-ray room
3. Amperage of the disconnect panel or electrical breaker box in the x-ray room

The standard generator that is with the S1SV-32 model is a 32kW, single phase 208/230/240 VAC generator. The requirements for this x-ray generator are:

1. Single phase power line must not be lower than 208 VAC (if it is, the power should be increased with a boost transformer)
2. The size of wire that is running from the building main power panel to the X-ray room must meet the following criteria:
 - Distance is from 1 to 50 feet wire size no less than size 2 AWG copper wire
 - Distance is from 50 to 100 feet wire size no less than size 1/0 AWG copper wire

For distances over 100 feet, a three phase 208 VAC generator should be ordered and three phase power should be installed.
3. The physical Disconnect in the x-ray room should be on a minimum of a 80AMP service.

There are many choices in x-ray generators, so please consult with your representative.

This system is covered by a 5 year parts warranty except for the x-ray tube which is covered by a 12 month warranty from date of installation.

For more information:

CALL

EMAIL

CLICK



714.962.8605

yatesray1@verizon.net

www.yatesxray.com