

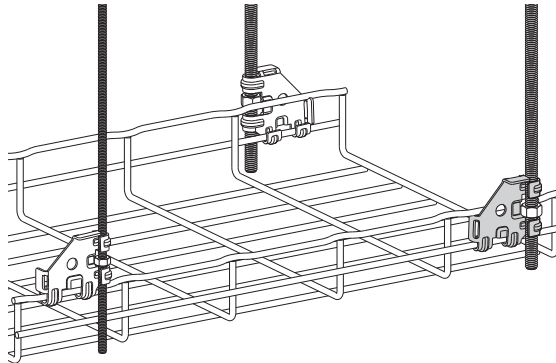
# FLEXTRAY™ Wire Basket - Ceiling Support Methods

## Flip Clip™

- Accommodates 1/4" and 3/8" rod sizes
- Installs quickly with a screwdriver or pliers thus reducing installation time
- Requires only one hex nut (not included) to hang and level the FLEXTRAY
- Retainer tabs can be bent over to lock-in the threaded rod and wire basket
- Finishes \_\_: **ZN**, FB, SS6

Part Number	Description	Qty./Box	Wt./Box lbs. (kg)
WB46H__	Flip Clip	50	5.2 (2.36)

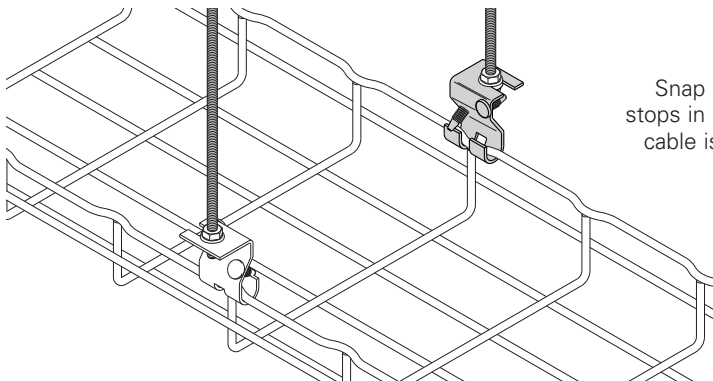
Snap retainer stops in place after cable is loaded.



## Trapeze Support

- Trapeze Clip installs fast
- For use with trays up to 4" (100mm) deep, 12" (300mm) wide, and spans up to 8'-0" (2.44m)
- Tray can be released from support to allow side cable loading
- Accepts 1/4" and 3/8" threaded rod sizes
- Finishes \_\_: **GS**, BLE

Part Number	Description	Qty./Box	Wt./Box lbs. (kg)
TRAPEZE SUPT2__	Trapeze Support Clip	50 trapeze clips 100 retainer stops	7.0 (3.17)



Snap retainer stops in place after cable is loaded.



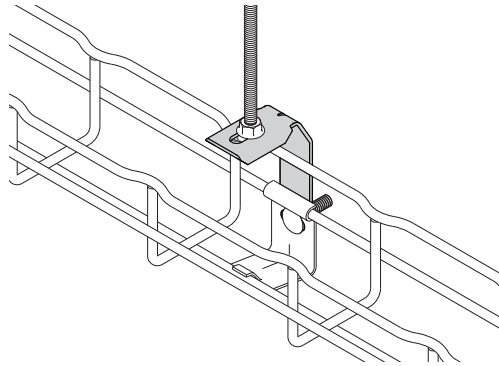
See page D-3 for finish information

# FLEXTRAY™ Wire Basket - Ceiling Support Methods

## 2" Center Hanger

Part Number	Description	Qty./Box	Wt./Box lbs. (kg)
2 IN CTR SUPT__	Center Support Hanger for FT2x2	50	5.0 (2.27)

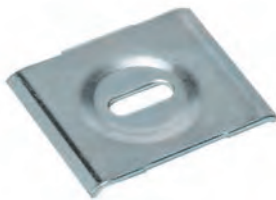
- For use with 2" (50mm) tray widths only
- Accepts 1/4" threaded rod
- Hardware sold separately
- Finishes \_\_: **GS**, BLE
- Assemble with ATTACHMENT CLP & FTTHDWE 1/4 hardware



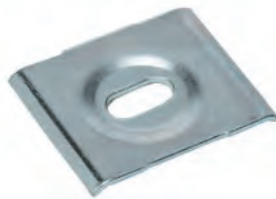
## Hold Down Plate

Part Number	Description	Qty./Box	Wt./Box lbs. (kg)
SUPT WASHER__	.28" x .70" (7.1mm x 17.8mm)	100	9.4 (4.26)
FTA6HD__	.40" x .70" (10.1mm x 17.8mm)	100	7.0 (3.18)

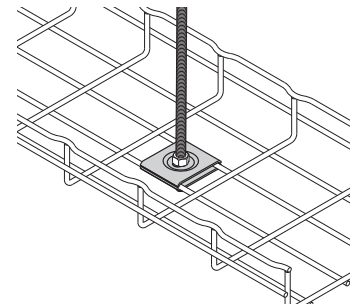
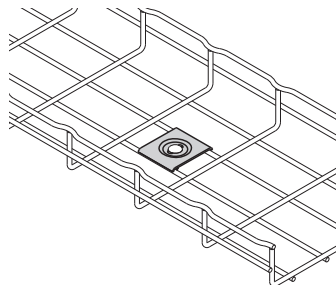
- Easy way to mount 4" (100mm) wide tray for raceway run.
- Use 1/4" screws to attach SUPT WASHER to your specific wall/stud application (hardware sold separately).
- FTA6HD can be used in pairs to create a center-hung support using 3/8" rod.
- To protect cables use threaded rod protector (page D-20).
- To complete 3/8" center hanger assembly use:  
2 - FTA6HD  
2 - HN 3/8"-16 hex nuts
- Finish: **ZN**, SS6



SUPT WASHER



FTA6HD



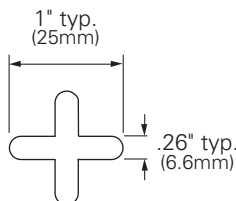
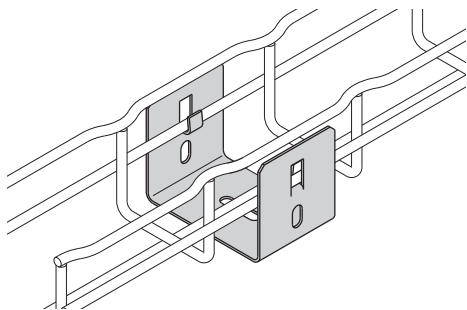
See page D-3 for finish information

# FLEXTRAY™ Wire Basket - Ceiling Support Methods

## Mounting Bracket

- Designed to support FT2X2X10 Flextray
- Click tabs for FLEXTRAY attachment
- Use 1/4" hardware and washer (not included) to mount bracket
- Finishes \_\_: **SS6**

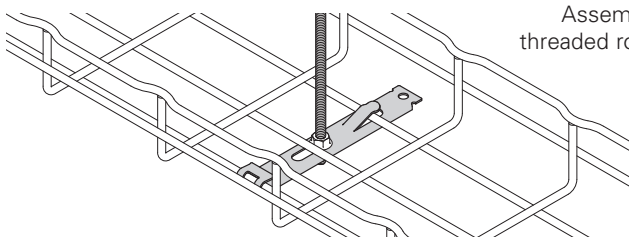
Part Number	Description	Qty./Box	Wt./Box lbs. (kg)
FTB2UB__	Light Duty Wall/Rack Bracket	10	2.1 (0.95)



- Use for light duty cabling applications
- For use with 1 1/2" (38mm) & 2" (51mm) deep tray with 4" (100mm) and 6" (150mm) widths
- When hanging 4" (100mm) wide tray, center hung clip must be run parallel with the tray
- Built-in hold down tab
- Accepts 1/4" threaded rod
- Threaded rod and nuts sold separately
- Finishes \_\_: **GS**, BLE

## Center Hung Clip

Part Number	Description	Qty./Box	Wt./Box lbs. (kg)
CTR HUNG CLP__	Light Duty Center Hanger	50	4.0 (1.81)



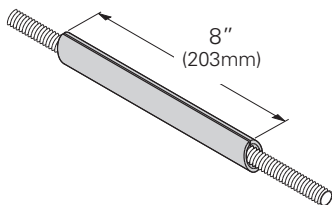
Assemble with 1/4" threaded rod and finned nut



- Use to protect cables from 1/4" to 1/2" threaded rod
- PVC UL94V-O material
- Color: Gray
- Not plenum rated

## Threaded Rod Protector

Part Number	Description	Qty./Box	Wt./Box lbs. (kg)
SB301-1/2x8	Rod Protector	1	0.03 (0.013)



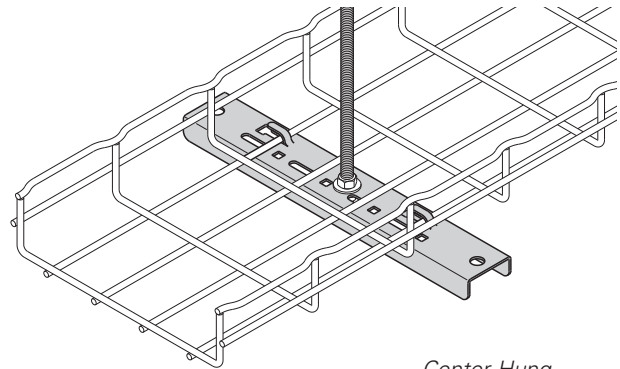
See page D-3 for finish information

# FLEXTRAY™ Wire Basket - Ceiling Support Methods

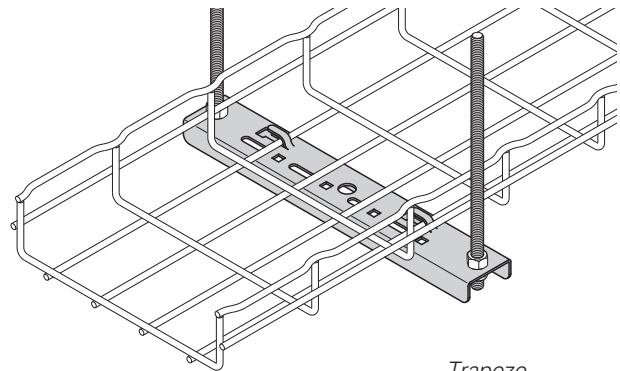
## Center Trapeze Hanger

Part Number	Maximum Tray Width in. (mm)	Actual Length in. (mm)	Wt./Pc. lbs. (kg)
FTB06CT	6" (150)	9.78" (248)	0.61 (0.27)
FTB08CT	8" (200)	11.75" (298)	0.74 (0.33)
FTB12CT	12" (300)	15.69" (398)	0.98 (0.44)
FTB16CT	16" (400)	19.63" (498)	1.61 (0.73)
FTB18CT	18" (450)	21.59" (548)	1.77 (0.80)
FTB20CT	20" (500)	23.56" (598)	1.93 (0.87)
FTB24CT	24" (600)	27.50" (698)	2.25 (1.02)

- Can be installed as center-hung or traditional trapeze hanger
- Multiple options to secure FLEXTRAY to hanger
  - Built in hold down tabs (use screwdriver to bend down tab)
  - Compatible with TOOLLESS CLIP with snap-in locking pin
  - Compatible with WBUHD hold down clip when tray crosswire is aligned over top of hanger
  - Slots and holes for optional hardware attachment
- Corrosion resistant pre-galvanized zinc finish (other finishes available upon request)
- Center hole for up to 1/2" rod
- Hole on each end for up to 3/8" rod
- Threaded rod protector available (SB301-1/2 x 8) see page D-20
- When 1/2" trapeze rods are required, add -1/2 to end of part number when ordering



Center Hung



Trapeze

See page D-3 for finish information

## KwikWire™ Clamps & Wire Rope

- KwikWire system replaces jack chain or ATR to support lighting, ductwork, and FLEXTRAY.
- Can be quickly installed around beams - No drilling required.
- Ideal for sloped ceilings - can hang objects at up to 60° angles.
- Simple height adjustments are made by releasing locking tab, no tools required.
- Spools of wire can be cut to length in field, reducing waste and up front planning.

Part No.	Clamps - For Use With Wire Rope Diameters	Box Qty.
<b>BKC100</b>	1/16" (1.6mm) & 3/32" (2.3mm)	100
<b>BKC200</b>	1/8" (3.2mm) & 3/16" (4.7mm)	50

Part No.	Rope Dia.		Working Load		Spool
	in.	(mm)	Lbs.	(kg)	
<b>BKW063</b> <sup>(1)</sup>	1/16"	(1.6)	96	(43.5)	500 ft.
<b>BKW094</b> <sup>(1)</sup>	3/32"	(2.3)	184	(83.4)	500 ft.
<b>BKW125</b> <sup>(1)</sup>	1/8"	(3.2)	340	(154.2)	500 ft.
<b>BKW188</b> <sup>(2)</sup>	3/16"	(4.8)	840	(381.0)	250 ft.

### KwikWire Clamp Working Loads\*

Clamp Part No.	Wire Rope Dia.	Lbs. Safety Factor 5
BKC100	1/16"	0-75
BKC100	3/32"	25-150
BKC200	1/8"	25-250
BKC200	3/16"	50-640

\* Working loads shown are for hanging vertically. For suspending at 15°, 30°, 45° or 60° angles from vertical, use the following percentage of the working loads from the chart:

15° = 96%  
 30° = 86%  
 45° = 70%  
 60° = 50%



### Wire Rope Construction



(1) 7 x 7



(2) 7 x 19

Cutter Part No.	Box Qty.
<b>BKCC</b>	1



- KwikPak includes a supply of kwik-clamps and a spool of wire rope.
- KwikPak are shipped in a specially designed dispenser box to ease field cutting of wire.

## KwikPak™ Wire Rope & Clamps



Part No.	For Use With Wire Rope Diameters	Box Qty.
<b>BKP10063</b>	BKC100 (100 pcs.) 1/16" Ø Wire Rope (500 ft.)	1
<b>BKP10094</b>	BKC100 (100 pcs.) 3/32" Ø Wire Rope (500 ft.)	1
<b>BKP20125</b>	BKC200 (50 pcs.) 1/8" Ø Wire Rope (500 ft.)	1
<b>BKP20188</b>	BKC200 (50 pcs.) 3/16" Ø Wire Rope (250 ft.)	1



See page D-3 for finish information

# FLEXTRAY™ Wire Basket - Ceiling Support Methods

## KwikWire™ Accessory Features

- Helps reduce on the job installation time
- Can be installed quickly without drilling into existing structure
- Increases versatility in the field
- KwikWire accessory system helps reduce inventory and shipping costs
- No more sawing, filing, or fixing nuts
- Designed for use with cable tray, lighting, and HVAC
- Eliminates the need for all threaded rod
- Cost effective solution for jack chain
- "Y" style accessories require 50% less drilling



## KwikWire Accessory Numbering System

Product Line	Assembly Configuration	Leg Termination	Leg Length	Wire Rope Diameter	Straight Length	Assembly or Kit
BK = KwikWire	Blank = Single Leg Y = 2 Legs 3 - 3 Legs	A = Angle Bracket w/Pin H = Hook L = Loop T = Toggle W = Fuse Cut B25 = Bolt w/ 1/4"-20 Thread B38 = Bolt w/ 3/8"-16 Thread BM6 = Bolt w/ M6 Thread BM8 = Bolt w/ M8 Thread BM10 = Bolt w/ M10 Thread	Blank = See Straight Length 18 = 18" Leg 30 = 30" Leg	063 = 1/16" 094 = 3/32"	Blank = Loop w/ Plastic Tube 18 = 18" 30 = 30" 40 = 40" 80 = 80" 120 = 120" 180 = 180" 240 = 240" 360 = 360"	Blank = Assembly Only K = Kit (Assembly & BKC100 Clamp)

## Examples

### BKYT18-094-120K



KwikWire Accessory  
2 legs - toggle leg termination - 18" legs - 1/16" diameter wire - 120" straight length - kit with clamp

### BKL-063-120K



KwikWire Accessory  
single leg - looped leg termination - 1/16" diameter wire - 120" straight length - kit with clamp

See page D-3 for finish information

## KwikWire™ 'Y' Style Hook Termination

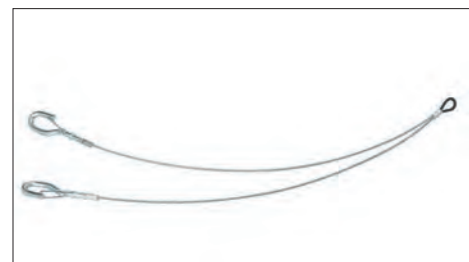
Part No.	Leg Length		Wire Rope Dia.		Length	
	in.	(mm)	in.	(mm)	in.	(mm)
<b>BKYH18-094-40</b>	18"	(457)	3/32"	(2.3)	40"	(1016)
<b>BKYH18-094-80</b>	18"	(457)	3/32"	(2.3)	80"	(2032)
<b>BKYH18-094-120</b>	18"	(457)	3/32"	(2.3)	120"	(3048)
<b>BKYH18-094-180</b>	18"	(457)	3/32"	(2.3)	180"	(4572)
<b>BKYH18-094-240</b>	18"	(457)	3/32"	(2.3)	240"	(6096)
<b>BKYH18-094-360</b>	18"	(457)	3/32"	(2.3)	360"	(9144)
<b>BKYH30-094-40</b>	30"	(762)	3/32"	(2.3)	40"	(1016)
<b>BKYH30-094-80</b>	30"	(762)	3/32"	(2.3)	80"	(2032)
<b>BKYH30-094-120</b>	30"	(762)	3/32"	(2.3)	120"	(3048)
<b>BKYH30-094-180</b>	30"	(762)	3/32"	(2.3)	180"	(4572)
<b>BKYH30-094-240</b>	30"	(762)	3/32"	(2.3)	240"	(6096)
<b>BKYH30-094-360</b>	30"	(762)	3/32"	(2.3)	360"	(9144)



**Box Quantity - 10**  
5 bags containing 2 pieces per bag

## KwikWire™ 'Y' Style Hook Termination With Loop

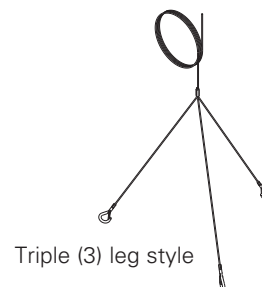
Part No.	Wire Rope Dia.		Length	
	in.	(mm)	in.	(mm)
<b>BKYH18-094</b>	3/32"	(2.3)	18"	(457)
<b>BKYH30-094</b>	3/32"	(2.3)	30"	(762)



**Box Quantity - 10**  
5 bags containing 2 pieces per bag

- Hook designed for up to 3/8" diameter wire.
- Available as a wire rope with hook termination only or as a ready-to-use kit with a BKC100 clamp.
- Available in lengths of 40", 80", 120", 180", 240", and 360".
- Available in single, double (Y), and triple (3) leg styles

For more information on KwikWire accessories see the KwikWire catalog.



See page D-3 for finish information