

# Type 4X Non-Metallic Enclosures

## Fiberglass Wall-Mount Enclosures Type 3R Continuous Hinge Cover Data Sheet



### Application

- Houses electrical, electronic, instrument, and mechanical controls
- Intended for indoor or outdoor use
- Ideally suited for harsh environments
- Protects against corrosion, falling rain, sleet, and external ice formation

### Standards

- UL/cUL 50 Listed, Type 1, Type 3, Type 3R
- Conforms to NEMA Standard for Type 1, Type 3, Type 3R
- CSA 22.2, Type 1, Type 3, Type 3R
- Temperature Range: -40°F to 250°F (-40°C to 120°C)
- Flammability Rating: UL94-5V
- Self Extinguishing: Non-flame propagating
- Chemical Resistance: (see chart, pages 464 - 467)

### Finish

- Gray color

### Accessories

- Back Panels (pages 290 - 291)
- See accessories (pages 292 - 294)

### Construction

- Enclosures are an impact resistant, non-conductive, light-weight hot compression molded Non-Metallic reinforced polyester
- Poured polyurethane seamless gasket provides watertight, dust-tight environmental seal
- Rain shield to protect against incidental water ingress
- Twist lock latches provide ease of entry into enclosure
- 300 series stainless steel used on all external hardware
- Integral mounting feet molded in place for ease of mounting
- Integral mounting bosses utilize threaded brass inserts accepting #10-32 screws for mounting optional panel
- Rounded edges reduce build-up of dust and debris
- Full length stainless steel hinged cover
- Built in padlock hasp provide optional secure closure locking (padlock not included)

### Discount Schedule: F2

### Subclass: G00

**Notes:** We can provide special modifications. Consult the factory for your special requirements.

## Fiberglass Wall-Mount Enclosures Type 3R Continuous Hinge Cover Illustration Sheet and Catalog Number

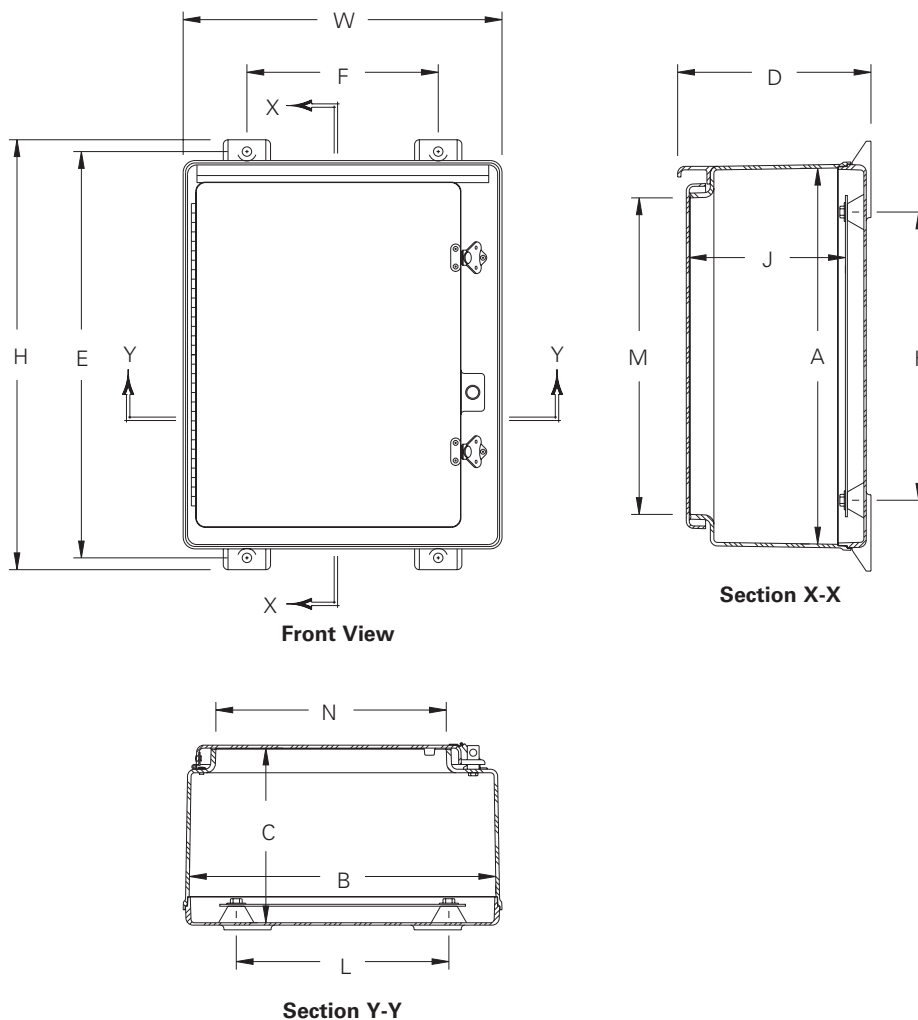
Enclosure Catalog #	Overall Dimensions		Inside Dimensions		Dimensions										Panel Number								
	H x W x D		A x B x C		E		F		J		K		L			M		N					
	in.	mm	in.	mm	in.	mm	in.	mm	in.	mm	in.	mm	in.	mm		in.	mm	in.	mm				
242410-RHCF	27.00	25.24 x 11.90	686	641 x 302	24.05	24.39 x 11.25	611	619 x 286	25.75	654	17.87	454	10.25	260	19.25	489	19.25	489	21.25	540	20.00	508	AWF2424__
30208-RHCF	32.86	20.99 x 9.89	835	533 x 251	29.90	20.14 x 9.23	760	511 x 234	31.75	806	14.25	362	8.23	209	25.25	641	15.25	387	27.00	686	16.50	419	AWF3020__
302010-RHCF	32.86	20.99 x 11.89	835	533 x 302	29.90	20.14 x 11.23	760	511 x 285	31.75	806	14.25	362	10.23	260	25.25	641	15.25	387	27.00	686	16.50	419	AWF3020__
302410-RHCF	33.41	26.32 x 11.95	849	668 x 304	30.46	25.47 x 11.27	774	647 x 286	32.25	819	18.50	470	10.27	261	25.25	641	19.25	489	27.38	695	21.25	540	AWF3024__
302412-RHCF	33.41	26.32 x 13.79	849	668 x 350	30.46	25.47 x 13.10	774	647 x 333	32.25	819	18.50	470	12.10	307	25.25	641	19.25	489	27.38	695	21.25	540	AWF3024__
36308-RHCF	39.31	32.50 x 10.05	999	826 x 255	36.31	31.69 x 9.36	922	805 x 238	38.13	968	23.88	606	8.36	212	31.25	794	25.25	641	33.25	845	27.25	692	AWF3630__
363010-RHCF	39.31	32.50 x 12.05	999	826 x 306	36.31	31.69 x 11.36	922	805 x 289	38.13	968	23.88	606	10.36	263	31.25	794	25.25	641	33.25	845	27.25	692	AWF3630__
363012-RHCF	39.31	32.50 x 14.05	999	826 x 357	36.31	31.69 x 13.36	922	805 x 339	38.13	968	23.88	606	12.36	314	31.25	794	25.25	641	33.25	845	27.25	692	AWF3630__
483612-RHCF	51.29	36.62 x 14.43	1303	930 x 367	48.33	36.22 x 13.25	1228	920 x 336	50.12	1273	29.25	743	12.25	311	43.25	1099	31.25	794	45.25	1149	32.00	813	AWF4836__
483616-RHCF	51.29	36.62 x 18.43	1303	930 x 468	48.33	36.22 x 17.25	1228	920 x 438	50.12	1273	29.25	743	16.25	413	43.25	1099	31.25	794	45.25	1149	32.00	813	AWF4836__

### Panel Finishes

Example: AW108\_\_

Insert for \_\_

P = Carbon Steel  
SP = Stainless Steel  
AP = Aluminum



**Notes:** Dimensions are in inches. Millimeters shown are for reference only. Data subject to change without notice.