

Type 12 / 13 Panel Enclosures

Ground-Mount Enclosures Type 12 Double-Door Floor-Standing with 3-Point Locking Data Sheet and Catalog Number



Type 12/13 Panel Encl.

Application

- Houses electrical controls and instruments
- Protects against circulating dust, falling dirt and dripping non-corrosive liquids

Standards

- UL 508A listed, Type 12
- CSA C22.2 No.94 certified, Type 12
- Conforms to NEMA standard for Type 12

Finish

- Wash and phosphate undercoat
- ANSI 61 gray polyester powder finish

Accessories

- Panels
- Leg stabilizer kit
- Touch-up paint
- Replacement handle, BD-PKHB, (see page 429)
- See Accessories section

Construction

- Enclosure and door are fabricated from (12) gauge steel
- All continuous welded seams are finished smooth
- Doors are secured to the body with removable concealed hinges and a center locating 3-point key-locking and padlock handle mechanism which closes the right side door over the left door
- Modern bevel profile on hinge side of enclosure doors
- Print pocket provided
- Doors have an oil-resistant gasket
- Ground stud provided on doors and body
- No center post for complete front access
- Heavy gauge panel supports and .375-16 collar studs are provided for mounting optional panel
- Large lifting eyebolts are supplied
- Mounting legs are provided for floor mounting

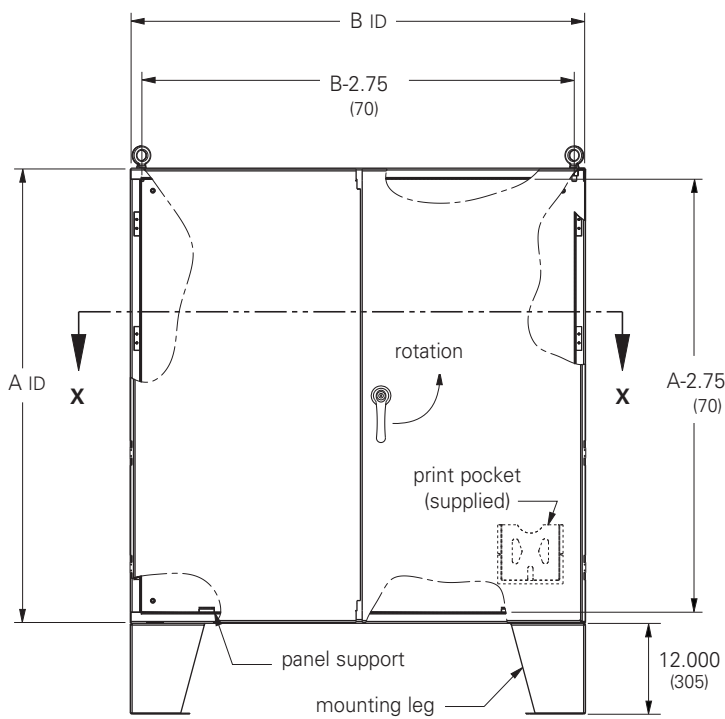
Discount Schedule: C2

Subclass: DK0

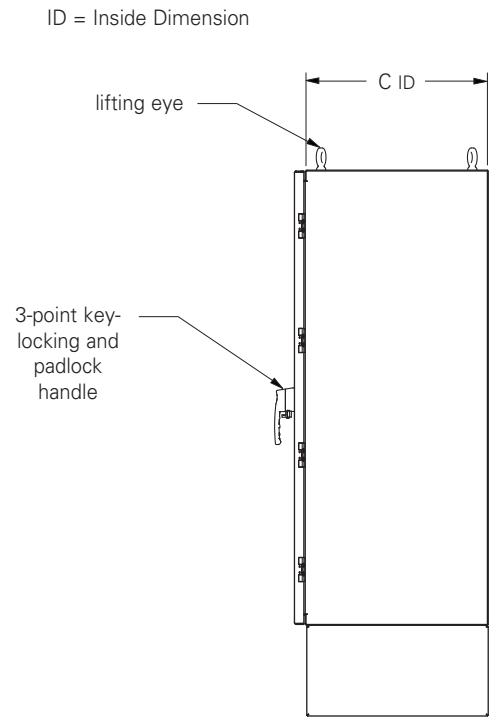
Enclosure Catalog Number	Enclosure Size Height x Width x Depth		Panel Catalog Number	Panel Size	
	in.	A x B x C mm		in.	Height x Width mm
54428-12FD	54.00 x 42.00 x 8.00	1372 x 1067 x 203	AW5442P	49.87 x 37.87	1267 x 962
60488-12FD	60.00 x 48.00 x 8.00	1524 x 1219 x 203	AW6048P	55.87 x 43.87	1419 x 1114
604810-12FD	60.00 x 48.00 x 10.00	1524 x 1219 x 254	AW6048P	55.87 x 43.87	1419 x 1114
606010-12FD	60.00 x 60.00 x 10.00	1524 x 1524 x 254	AW6060P	55.87 x 55.87	1419 x 1419
726010-12FD	72.00 x 60.00 x 10.00	1829 x 1524 x 254	AW7260P	67.87 x 55.87	1724 x 1419
727210-12FD	72.00 x 72.00 x 10.00	1829 x 1829 x 254	AW7272P	67.87 x 67.87	1724 x 1724
604812-12FD	60.00 x 48.00 x 12.00	1524 x 1219 x 305	AW6048P	55.87 x 43.87	1419 x 1114
606012-12FD	60.00 x 60.00 x 12.00	1524 x 1524 x 305	AW6060P	55.87 x 55.87	1419 x 1419
726012-12FD	72.00 x 60.00 x 12.00	1829 x 1524 x 305	AW7260P	67.87 x 55.87	1724 x 1419
727212-12FD	72.00 x 72.00 x 12.00	1829 x 1829 x 305	AW7272P	67.87 x 67.87	1724 x 1724
604816-12FD	60.00 x 48.00 x 16.00	1524 x 1219 x 406	AW6048P	55.87 x 43.87	1419 x 1114
606016-12FD	60.00 x 60.00 x 16.00	1524 x 1524 x 406	AW6060P	55.87 x 55.87	1419 x 1419
726016-12FD	72.00 x 60.00 x 16.00	1829 x 1524 x 406	AW7260P	67.87 x 55.87	1724 x 1419
727216-12FD	72.00 x 72.00 x 16.00	1829 x 1829 x 406	AW7272P	67.87 x 67.87	1724 x 1724
604820-12FD	60.00 x 48.00 x 20.00	1524 x 1219 x 508	AW6048P	55.87 x 43.87	1419 x 1114
726020-12FD	72.00 x 60.00 x 20.00	1829 x 1524 x 508	AW7260P	67.87 x 55.87	1724 x 1419
727220-12FD	72.00 x 72.00 x 20.00	1829 x 1829 x 508	AW7272P	67.87 x 67.87	1724 x 1724
604824-12FD	60.00 x 48.00 x 24.00	1524 x 1219 x 610	AW6048P	55.87 x 43.87	1419 x 1114
606024-12FD	60.00 x 60.00 x 24.00	1524 x 1524 x 610	AW6060P	55.87 x 55.87	1419 x 1419
726024-12FD	72.00 x 60.00 x 24.00	1829 x 1524 x 610	AW7260P	67.87 x 55.87	1724 x 1419
727224-12FD	72.00 x 72.00 x 24.00	1829 x 1829 x 610	AW7272P	67.87 x 67.87	1724 x 1724

Notes: Dimensions are in inches. Millimeters shown are for reference only. Data subject to change without notice.

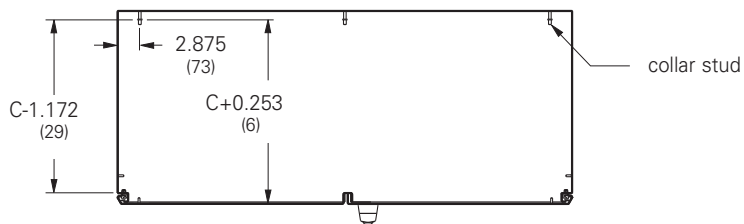
Ground-Mount Enclosures Type 12 Double-Door Floor-Standing with 3-Point Locking Illustration Sheet



Front View



Side View



Section X-X

Notes: Four lifting eyes are furnished when C dimensions is 20.00 (508 mm) and larger.
Dimensions are in inches. Millimeters shown are for reference only. Data subject to change without notice.

Type 12 / 13 Panel Enclosures

Ground-Mount Enclosures

Type 12 Double-Door Free-Standing with 3-Point Locking

Data Sheet



**Double-Door
Single-Access**
See page 115



**Double-Door
Dual-Access**
See page 116

Type 12/13 Panel Encl.

Application

- Houses electrical controls and instruments
- Easy access panels or rack-mounts for housing optional equipment
- Dual-access construction available for back-to-back panel and equipment mounting
- Protects against circulating dust, falling dirt and dripping non-corrosive liquids

Standards

- UL 508A listed, Type 12
- CSA C22.2 No.94 certified, Type 12
- Conforms to NEMA standard for Type 12
- E.I.A. RS-310-D

Finish

- Wash and phosphate undercoat
- ANSI 61 gray polyester powder finish

Accessories

- Full and half panels
- Side panels
- Swing panels
- Center post
- Rack mount angles and swing out frames (see pages 189 - 190)
- Channel mounting hardware
- Touch-up paint
- Replacement handle, BD-PKHB, (see page 429)
- See Accessories section

Construction

- Enclosure and door are fabricated from (12) gauge steel
- All continuous welded seams are finished smooth
- Doors are secured to the body with removable concealed hinges and a center locating 3-point key-locking and padlock handle mechanism which closes the right side door over the left door
- Modern bevel profile on hinge side of enclosure doors
- Doors have an oil-resistant gasket
- Ground stud provided on doors and body
- Print pocket provided
- Large lifting eyebolts are supplied
- Mounting channels are welded inside for locating panels along enclosure depth
- Dual-access enclosures permit back-to-back panel mounting
- Swing panels, single full and single half panels can be installed in double-door enclosures when the center post is used
- A variety of optional panels and accessories are available, (see accessories pages 120-128)
- Two styles of enclosure construction:
 1. Double-door, single-access
 2. Double-door, dual-access

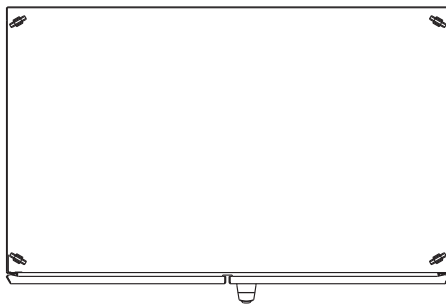
Discount Schedule: C2

Subclass: DMO

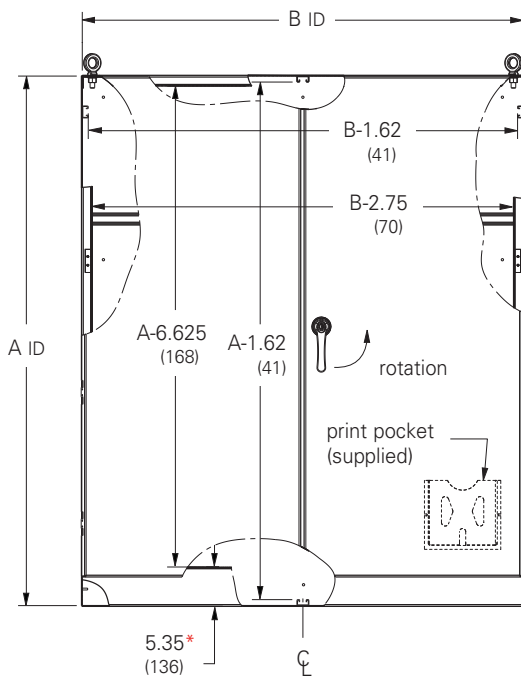
Notes: We can provide special sizes, finishes and other modifications. Consult the factory for your special requirements.

Ground-Mount Enclosures Type 12 Double-Door Single-Access Free-Standing with 3-Point Locking Illustration Sheet and Catalog Number

Enclosure Catalog Number ANSI 61 Gray Carbon Steel	Enclosure Size Height x Width x Depth A x B x C		D		E	
	in.	mm	in.	mm	in.	mm
	604818-12FSD	60.00 x 48.00 x 18.00	1524 x 1219 x 457	23.12	587	32.00
724818-12FSD	72.00 x 48.00 x 18.00	1829 x 1219 x 457	29.12	740	38.00	965
726018-12FSD	72.00 x 60.00 x 18.00	1829 x 1524 x 457	29.12	740	38.00	965
727218-12FSD	72.00 x 72.00 x 18.00	1829 x 1829 x 457	29.12	740	38.00	965
904820-12FSD	90.00 x 48.00 x 20.00	2286 x 1219 x 508	38.12	968	47.00	1194
907220-12FSD	90.00 x 72.00 x 20.00	2286 x 1829 x 508	38.12	968	47.00	1194
724824-12FSD	72.00 x 48.00 x 24.00	1829 x 1219 x 610	29.12	740	38.00	965
726024-12FSD	72.00 x 60.00 x 24.00	1829 x 1524 x 610	29.12	740	38.00	965
727224-12FSD	72.00 x 72.00 x 24.00	1829 x 1829 x 610	29.12	740	38.00	965
907224-12FSD	90.00 x 72.00 x 24.00	2286 x 1829 x 610	38.12	968	47.00	1194
726036-12FSD	72.00 x 60.00 x 36.00	1829 x 1524 x 914	29.12	740	38.00	965
907236-12FSD	90.00 x 72.00 x 36.00	2286 x 1829 x 914	38.12	968	47.00	1194



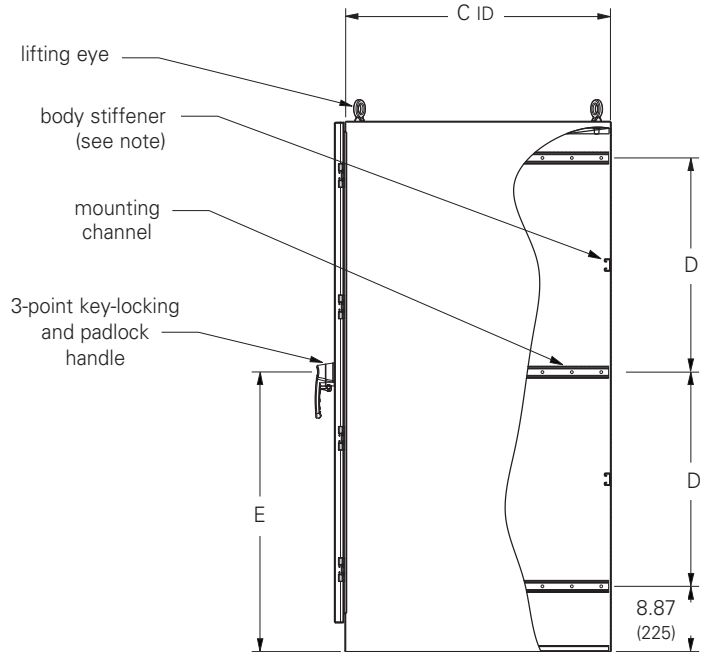
Top View



Front View

* From flange opening to bottom of enclosure

ID = Inside Dimension



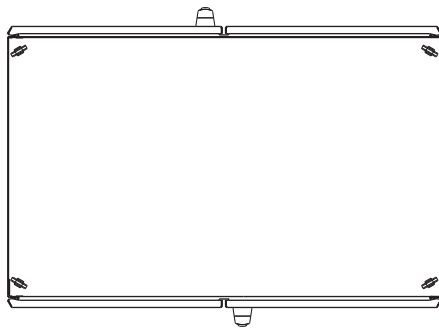
Side View

Notes: Two body stiffeners spaced evenly along enclosure height. Two lifting eyes are furnished when C dimension is less than 36.00 (914 mm). Dimensions are in inches. Millimeters shown are for reference only. Data subject to change without notice.

Type 12 / 13 Panel Enclosures

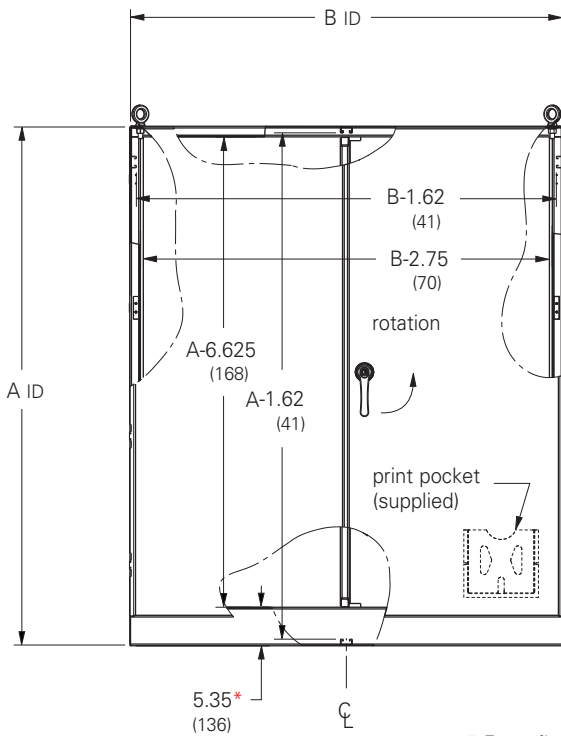
Ground-Mount Enclosures Type 12 Double-Door Dual-Access Free-Standing with 3-Point Locking Illustration Sheet and Catalog Number

Enclosure Catalog Number ANSI 61 Gray Carbon Steel	Enclosure Size Height x Width x Depth A x B x C		D		E	
	in.	mm	in.	mm	in.	mm
	724824-12FSDDA	72.00 x 48.00 x 24.00	1829 x 1219 x 610	29.12	740	38.00
726024-12FSDDA	72.00 x 60.00 x 24.00	1829 x 1524 x 610	29.12	740	38.00	965
727224-12FSDDA	72.00 x 72.00 x 24.00	1829 x 1829 x 610	29.12	740	38.00	965
907224-12FSDDA	90.00 x 72.00 x 24.00	2286 x 1829 x 610	38.12	968	47.00	1194
726036-12FSDDA	72.00 x 60.00 x 36.00	1829 x 1524 x 914	29.12	740	38.00	965



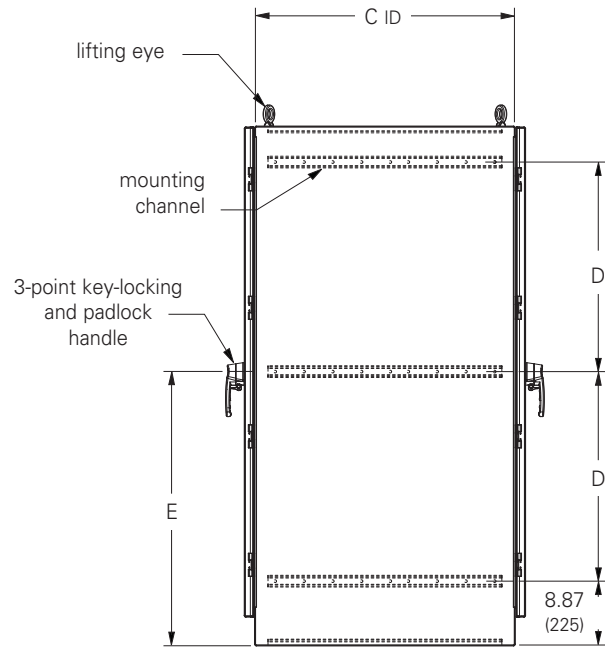
Top View

ID = Inside Dimension



Front View

* From flange opening to bottom of enclosure



Side View

Notes: Two lifting eyes are furnished when C dimension is less than 36.00 (914 mm).
Dimensions are in inches. Millimeters shown are for reference only. Data subject to change without notice.

Free-Standing Enclosure Accessories Type 12 Single-Door Full and Half Panel Illustration Sheet and Catalog Number

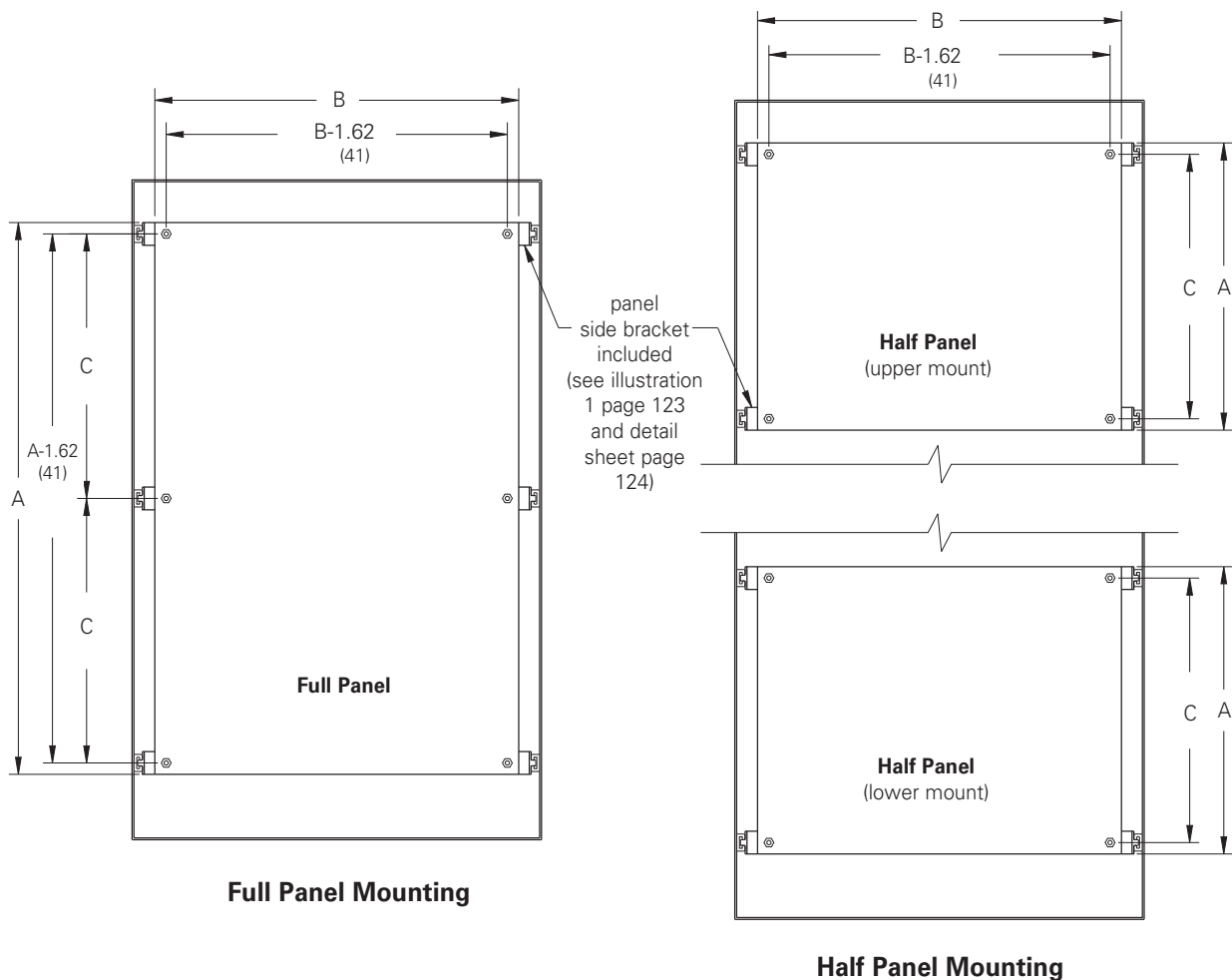
Discount Schedule: C2
Subclass: DSD

Full Panel (Single-Door)

Panel Catalog Number	Panel Size Height x Width A x B		C		Fits Enclosure Height x Width	
	in.	mm	in.	mm	in.	mm
AF6024P	47.87	1216	23.12	587	60.00	24.00
AF6036P	47.87	1216	23.12	587	60.00	36.00
AF7224P	59.87	1521	29.12	740	72.00	24.00
AF7230P	59.87	1521	29.12	740	72.00	30.00
AF7236P	59.87	1521	29.12	740	72.00	36.00
AF9024P	77.87	1978	38.12	968	90.00	24.00
AF9036P	77.87	1978	38.12	968	90.00	36.00

Half Panel (Single-Door)

Panel Catalog Number	Panel Size Height x Width A x B		C		Fits Enclosure Height x Width	
	in.	mm	in.	mm	in.	mm
AF6024HP	24.75	629	23.12	587	60.00	24.00
AF6036HP	24.75	629	23.12	587	60.00	36.00
AF7224HP	30.75	781	29.12	587	72.00	24.00
AF7230HP	30.75	781	29.12	587	72.00	30.00
AF7236HP	30.75	781	29.12	587	72.00	36.00
AF9024HP	39.75	1010	38.12	968	90.00	24.00
AF9036HP	39.75	1010	38.12	968	90.00	36.00



Type 12/13 Panel Encl.

Note: Full and Half panel for single-door, single and dual-access enclosures are (12) gauge steel and furnished with panel side brackets and all hardware necessary for channel and panel mounting. Half Panels can be mounted in either the upper or lower portion of the enclosure. Free standing design permits the panel to adjust along the depth of the enclosure. With dual-access enclosures, Full and Half panels can be mounted back-to-back.

Notes: Dimensions are in inches. Millimeters shown are for reference only. Data subject to change without notice.

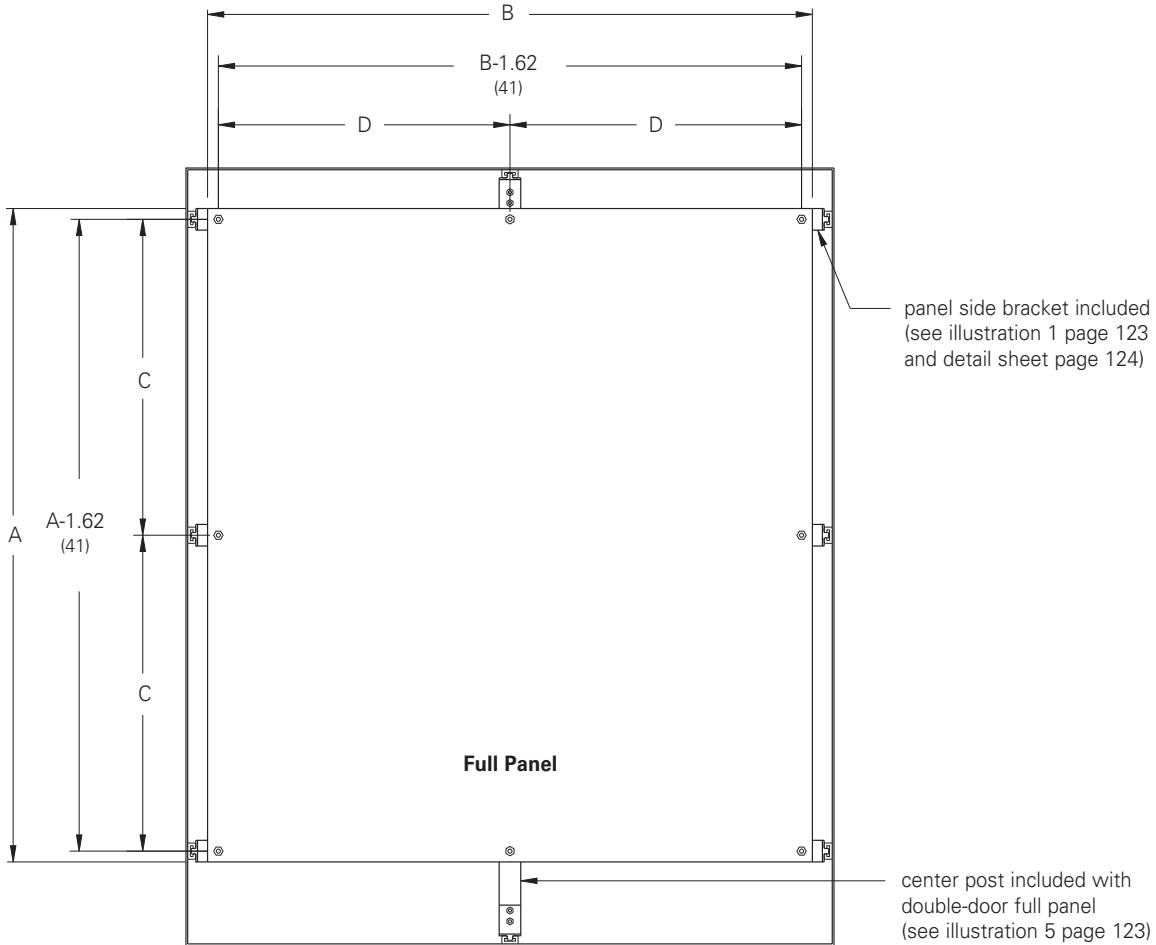
Type 12 / 13 Panel Enclosures

Free-Standing Enclosure Accessories Type 12 Double-Door Full Panel Illustration Sheet and Catalog Number

Discount Schedule: C2
Subclass: DSD

Panel Catalog Number	Panel Size				Fits Enclosure			
	Height x Width A x B		C		D		Height x Width	
	in.	mm	in.	mm	in.	mm	in.	mm
AF6048P	47.87 x 43.87	1216 x 1114	23.12	587	21.12	530	60.00 x 48.00	1524 x 1219
AF6060P	47.87 x 55.87	1216 x 1419	23.12	587	27.12	689	60.00 x 60.00	1524 x 1524
AF7248P	59.87 x 43.87	1521 x 1114	29.12	740	21.12	530	72.00 x 48.00	1829 x 1219
AF7260P	59.87 x 55.87	1521 x 1419	29.12	740	27.12	689	72.00 x 60.00	1829 x 1524
AF7272P	59.87 x 67.87	1521 x 1724	29.12	740	33.12	841	72.00 x 72.00	1829 x 1829
AF9048P	77.87 x 43.87	1978 x 1114	38.12	968	21.12	530	90.00 x 48.00	2286 x 1219
AF9072P	77.87 x 67.87	1978 x 1724	38.12	968	33.12	841	90.00 x 72.00	2286 x 1829

Type 12/13 Panel Encl.



Full Panel Mounting

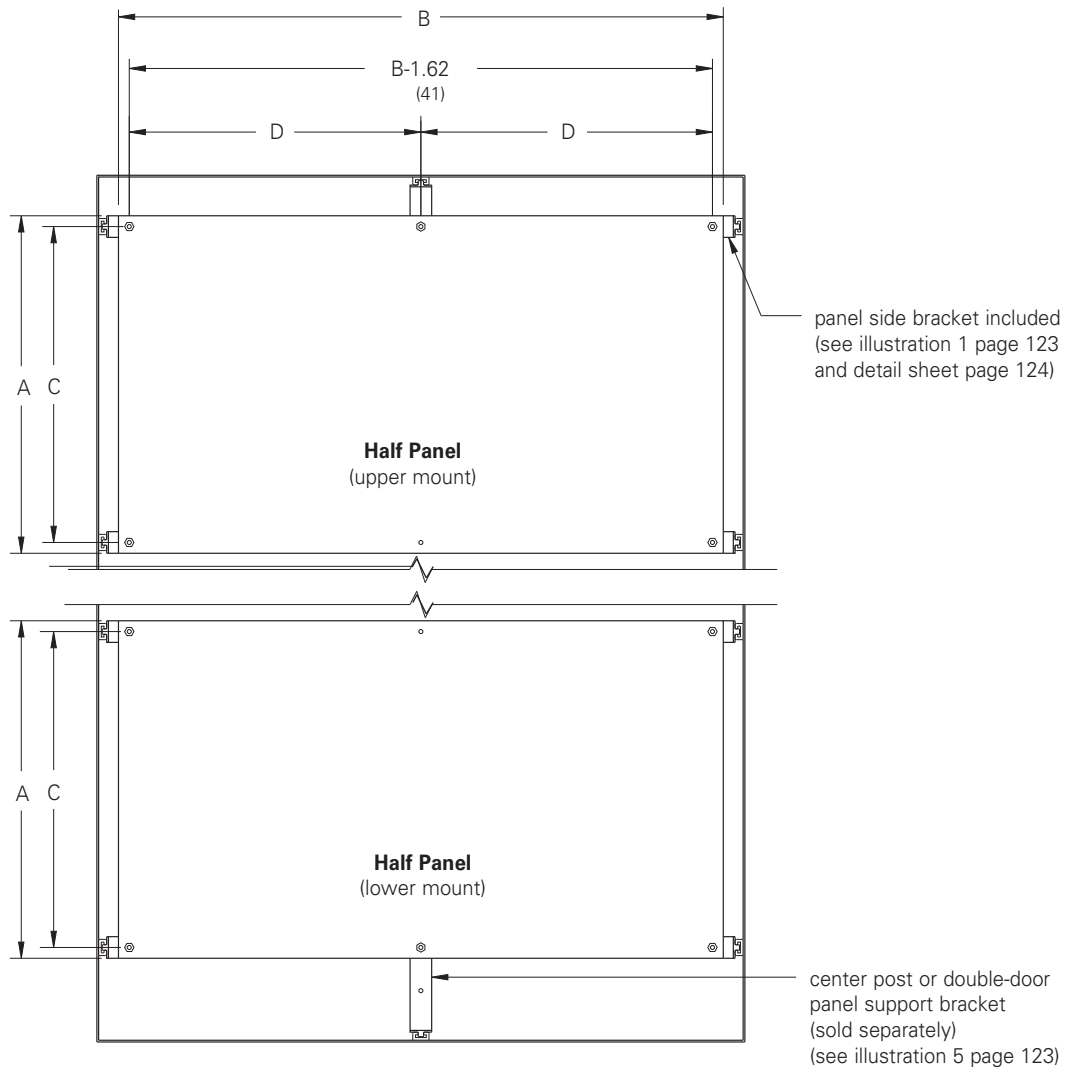
Notes: Full Panel for double-door, single and dual-access enclosures are (10) gauge steel and furnished with Panel Brackets, Center Post assembly, panel handle kit and all hardware necessary for channel and panel mounting. The Center Post assembly offers additional support of panel and equipment. Free-standing design permits the panel to adjust along the depth of the enclosure. With dual-access enclosures, Full and Half Panels can be mounted back-to-back.

Notes: Dimensions are in inches. Millimeters shown are for reference only. Data subject to change without notice.

Free-Standing Enclosure Accessories Type 12 Double-Door Half Panel Illustration Sheet and Catalog Number

Discount Schedule: C2
Subclass: DSD

Panel Catalog Number	Panel Size Height x Width A x B		C		D		Fits Enclosure Height x Width	
	in.	mm	in.	mm	in.	mm	in.	mm
	AF6048HP	24.75x43.87	629x1114	23.12	587	21.12	536	60.00x48.00
AF7248HP	30.75x43.87	781x1114	29.12	740	21.12	536	72.00x48.00	1829x1219
AF7260HP	30.75x55.87	781x1419	29.12	740	7.12	181	72.00x60.00	1829x1524
AF7272HP	30.75x67.87	781x1724	29.12	740	33.12	841	72.00x72.00	1829x1829
AF9048HP	39.75x43.87	1010x1114	38.12	968	21.12	536	90.00x48.00	2286x1219
AF9072HP	39.85x67.87	1012x1724	38.12	968	33.12	841	90.00x72.00	2286x1829



Half Panel Mounting

Note: Half panel for double-door, single and dual-access enclosures are (12) gauge steel and furnished with Panel Brackets and all hardware necessary for channel and panel mounting. **A Center Post assembly or a double-door panel support bracket (catalog number AFSUP2) for additional support of the panel is optional and sold separately.** Free-standing design permits the panel to adjust along the depth of the enclosure. With dual-access enclosures, Full and Half Panels can be mounted back-to-back.

Notes: Dimensions are in inches. Millimeters shown are for reference only. Data subject to change without notice.

Type 12 / 13 Panel Enclosures

Free-Standing Enclosure Accessories Type 12 Side Panel And Center Post Illustration Sheet and Catalog Number

Discount Schedule: C2
Subclass: DSD

Side Panel

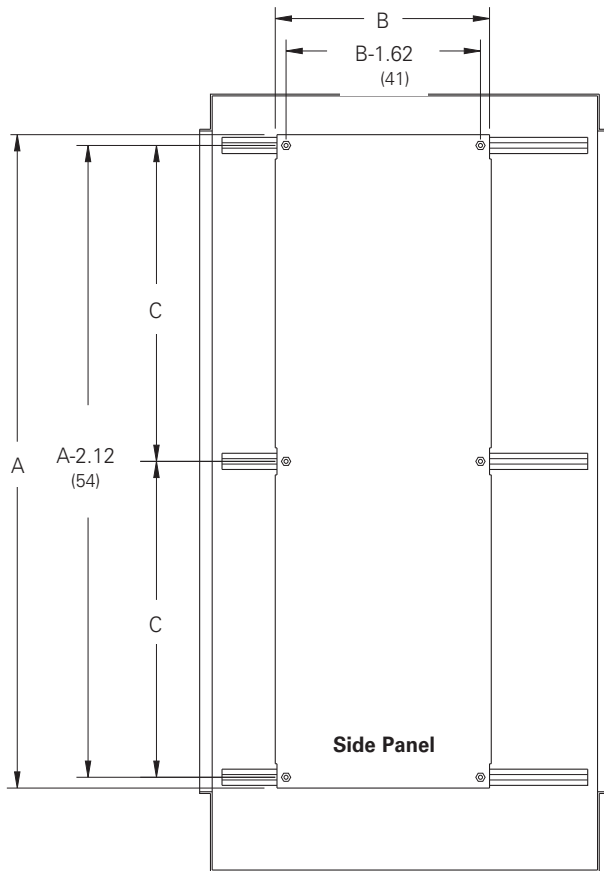
Panel Catalog Number	Panel Size Height x Width A x B		C		Fits Enclosure Height		Depth*	
	in.	mm	in.	mm	in.	mm	in.	mm
AF6018SP	48.37 x 13.87	1229 x 340	23.12	587	60.00	1524	18.00	457
AF7218SP	60.37 x 13.87	1533 x 340	29.12	740	72.00	1829	18.00	457
AF7224SP	60.37 x 19.87	1533 x 505	29.12	740	72.00	1829	24.00	610
AF9018SP	78.37 x 13.87	1991 x 340	38.12	968	90.00	2286	18.00	457
AF9024SP	78.37 x 19.87	1991 x 505	38.12	968	90.00	2286	24.00	457

Center Post

Center Post Catalog Number	A		B		Fits Enclosure Height	
	in.	mm	in.	mm	in.	mm
AF60CPS	58.37	1483	23.12	587	60.00	1524
AF72CPS	70.37	1787	29.12	740	72.00	1829
AF90CPS	88.37	2245	38.12	968	90.00	2286

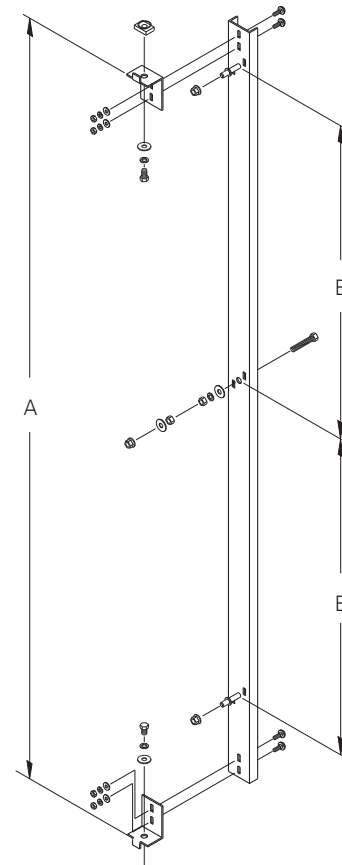
* Back panels restrict the movement of side panels and will prohibit mounting in some depths. See detail sheet for back panel spacing.

Type 12/13 Panel Encl.



Side Panel Mounting

Side Panels are (12) gauge steel and furnished with hardware necessary for channel mounting. They will fit any width enclosure and are adjustable along its depth, however, when Full or Half Panels are installed, movement will be restricted and with some depths make side mounting prohibitive.



Center Post Assembly

Center Post assembly is furnished with all double-door Full Panels and includes hardware necessary for channel and panel mounting. The Center Post is optional on double-door Half Panels and Swing Panel mounting and must be ordered separately. It attaches to the top and bottom channels making it adjustable along the depth of the enclosure. See illustration #5 on the Detail Sheet-page 123.

Notes: Dimensions are in inches. Millimeters shown are for reference only. Data subject to change without notice.

Type 12 / 13 Panel Enclosures

Free-Standing Enclosure Accessories Type 12 Single-Door Full and Half Swing Panel Illustration Sheet and Catalog Number

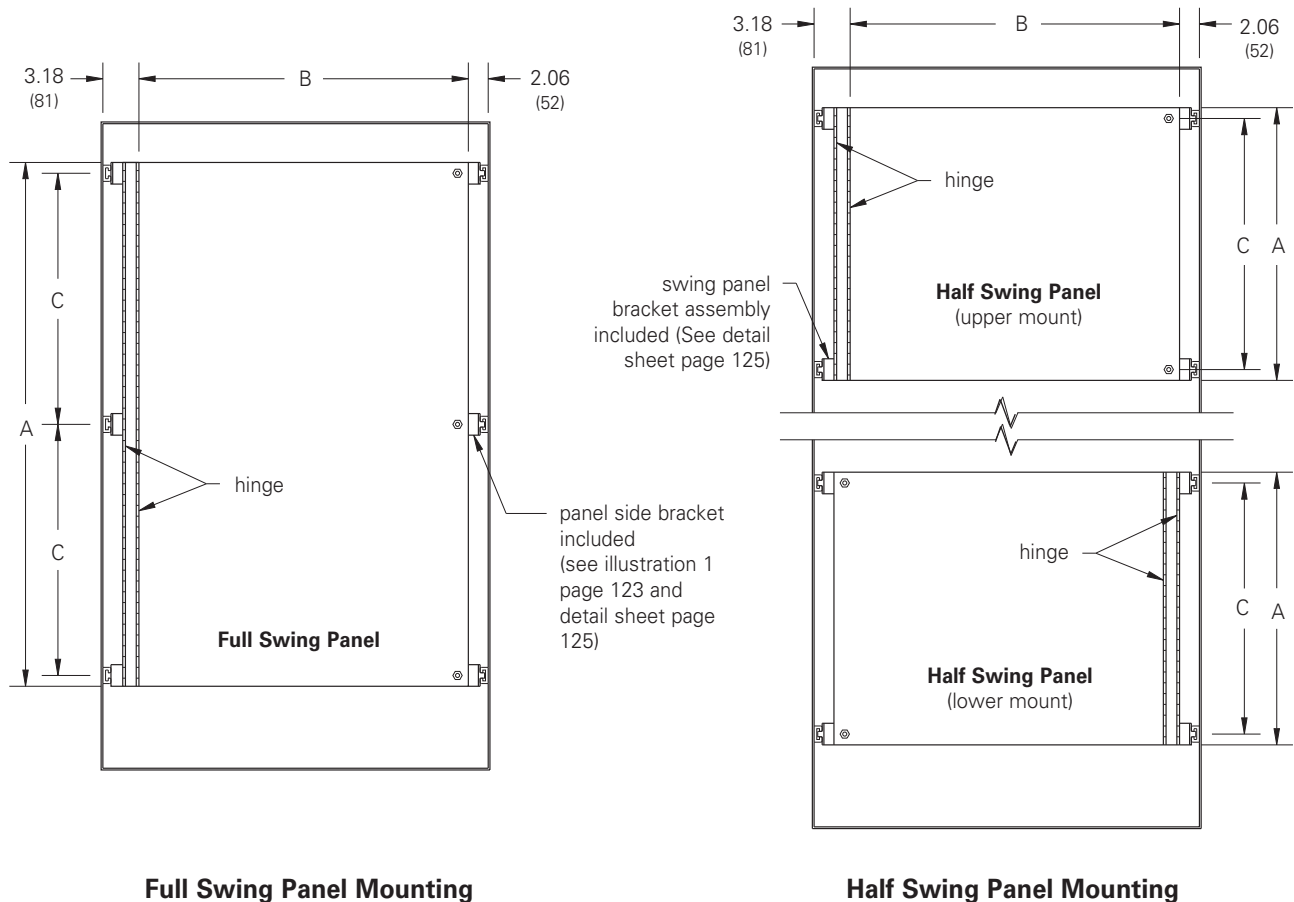
Discount Schedule: C2
Subclass: DSD

Full Swing Panel (Single-Door)

Panel Catalog Number	Panel Size Height x Width A x B		C		Fits Enclosure Height x Width	
	in.	mm	in.	mm	in.	mm
AF6024SWP	47.87 x 18.75	1216 x 476	23.12	587	60.00 x 24.00	1524 x 610
AF6036SWP	47.87 x 30.75	1216 x 781	23.12	587	60.00 x 36.00	1524 x 914
AF7224SWP	59.87 x 18.75	1521 x 476	29.12	740	72.00 x 24.00	1829 x 610
AF7230SWP	59.87 x 24.75	1521 x 629	29.12	740	72.00 x 30.00	1829 x 762
AF7236SWP	59.87 x 30.75	1521 x 781	29.12	740	72.00 x 36.00	1829 x 914
AF9024SWP	77.87 x 18.75	1978 x 476	38.12	968	90.00 x 24.00	2286 x 610
AF9036SWP	77.87 x 30.75	1978 x 781	38.12	968	90.00 x 36.00	2286 x 914

Half Swing Panel (Single-Door)

Panel Catalog Number	Panel Size Height x Width A x B		C		Fits Enclosure Height x Width	
	in.	mm	in.	mm	in.	mm
AF6024HWP	24.75 x 18.75	629 x 476	23.12	587	60.00 x 24.00	1524 x 610
AF6036HWP	24.75 x 30.75	629 x 781	23.12	587	60.00 x 36.00	1524 x 914
AF7224HWP	30.75 x 18.75	781 x 476	29.12	740	72.00 x 24.00	1829 x 610
AF7230HWP	30.75 x 24.75	781 x 629	29.12	740	72.00 x 30.00	1829 x 762
AF7236HWP	30.75 x 30.75	781 x 781	29.12	740	72.00 x 36.00	1829 x 914
AF9024HWP	39.75 x 18.75	1010 x 476	38.12	968	90.00 x 24.00	2286 x 610
AF9036HWP	39.75 x 30.75	1010 x 781	38.12	968	90.00 x 36.00	2286 x 914



Type 12/13 Panel Encl.

Note: Full Swing Panel and Half Swing Panel for single-door, single and dual-access enclosures are (12) gauge steel, have a dual hinge swing panel bracket and furnished with Panel Brackets and all hardware necessary for channel and panel mounting. Panels can be installed so they hinge on either the left or right side. In addition, Half Panels can be mounted in either the upper or lower portion of the enclosure. Free-standing design permits the panel to be adjustable along the depth of the enclosure. The dual hinge will allow the inner panel to swing completely out of the door opening when within 5.50 inches of the front. With dual-access enclosures, Full and Half Swing Panels can be mounted back-to-back.

Notes: Dimensions are in inches. Millimeters shown are for reference only. Data subject to change without notice.

Type 12 / 13 Panel Enclosures

Free-Standing Enclosure Accessories Type 12 Double-Door Full and Half Swing Panel Illustration Sheet and Catalog Number

Discount Schedule: C2
Subclass: DSD

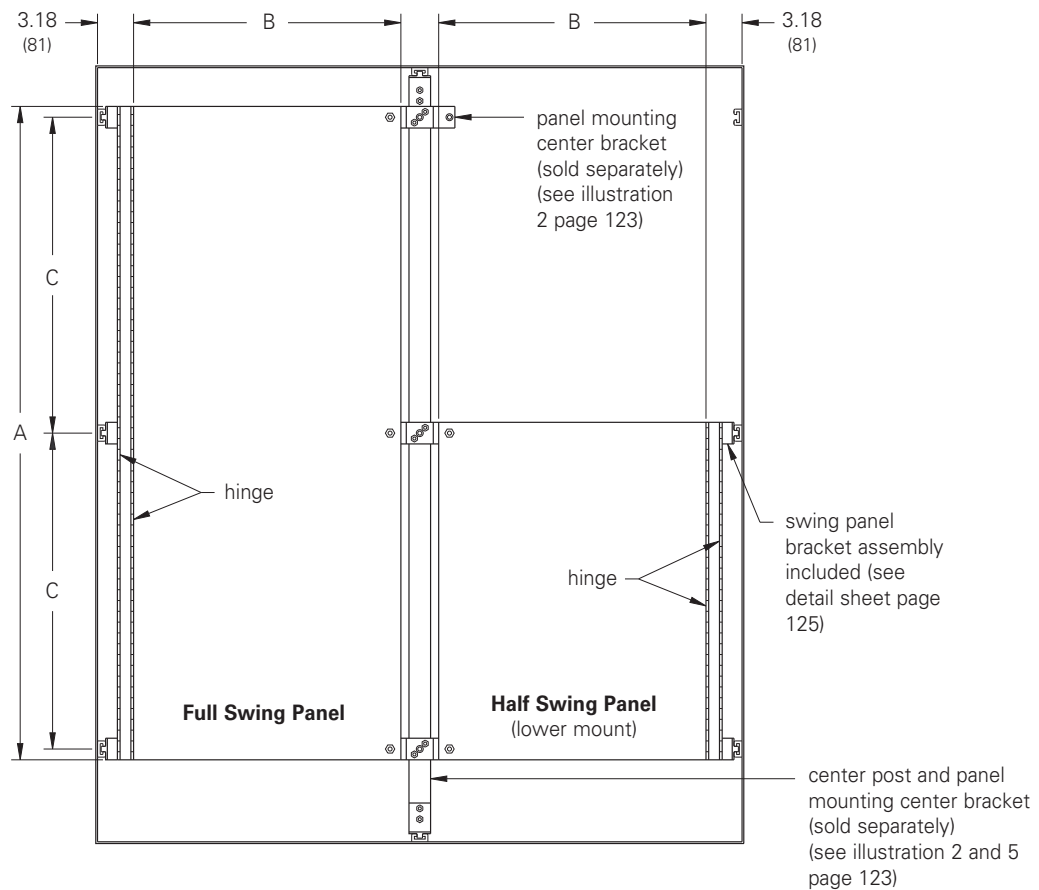
Full Swing Panel (Single-Door)

Panel Catalog Number	Panel Size Height x Width A x B		C		Fits Enclosure Height x Width	
	in.	mm	in.	mm	in.	mm
AF6024SWP	47.87 x 18.75	1216 x 476	23.12	587	60.00 x 48.00	1524 x 1219
AF7224SWP	59.87 x 18.75	1521 x 476	29.12	740	72.00 x 48.00	1829 x 1219
AF7230SWP	59.87 x 24.75	1521 x 629	29.12	740	72.00 x 60.00	1829 x 1524
AF7236SWP	59.87 x 30.75	1521 x 781	29.12	740	72.00 x 72.00	1829 x 1829
AF9024SWP	77.87 x 18.75	1978 x 781	38.12	968	90.00 x 48.00	2286 x 1219
AF9036SWP	77.87 x 30.75	1978 x 781	38.12	968	90.00 x 72.00	2286 x 1829

Half Swing Panel (Single-Door)

Panel Catalog Number	Panel Size Height x Width A x B		C		Fits Enclosure Height x Width	
	in.	mm	in.	mm	in.	mm
AF6024HWP	24.75 x 18.75	629 x 476	23.12	587	60.00 x 48.00	1524 x 1219
AF7224HWP	30.75 x 18.75	781 x 476	29.12	740	72.00 x 48.00	1829 x 1219
AF7230HWP	30.75 x 24.75	781 x 629	29.12	740	72.00 x 60.00	1829 x 1524
AF7236HWP	30.75 x 30.75	781 x 781	29.12	740	72.00 x 72.00	1829 x 1829
AF9024HWP	39.75 x 18.75	1010 x 476	38.12	968	90.00 x 48.00	2286 x 1219
AF9036HWP	39.75 x 30.75	1010 x 781	38.12	968	90.00 x 72.00	2286 x 1829

A Center Post assembly and Center Bracket must be ordered separately.



Swing Panel Mounting

Note: Full Swing Panel and Half Swing Panel for double-door, single and dual-access enclosures are (12) gauge steel, have a dual hinge swing panel bracket, and furnished with hardware necessary for side channel mounting. **A Center Post assembly and Center Bracket must be ordered separately.** Panels can be installed so they hinge either on the left or right side. In addition, Half Panels can be mounted in either the upper or lower portion of the enclosure. Free-standing design permits the panel to adjust along the depth of the enclosure. The dual hinge will allow the inner panel to swing completely out of the door opening when within 5.50 inches of the front. With dual-access enclosures, Full and Half Swing Panels can be mounted back-to-back.

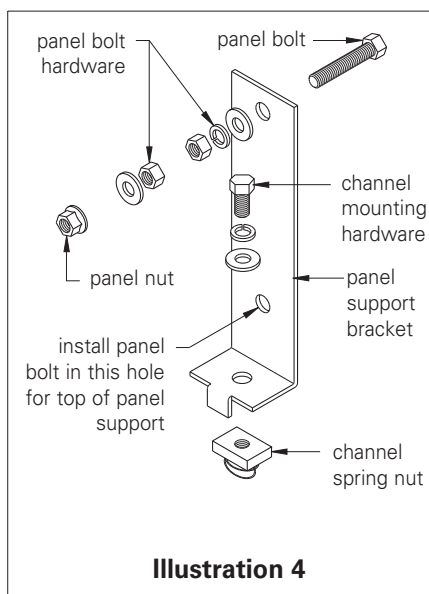
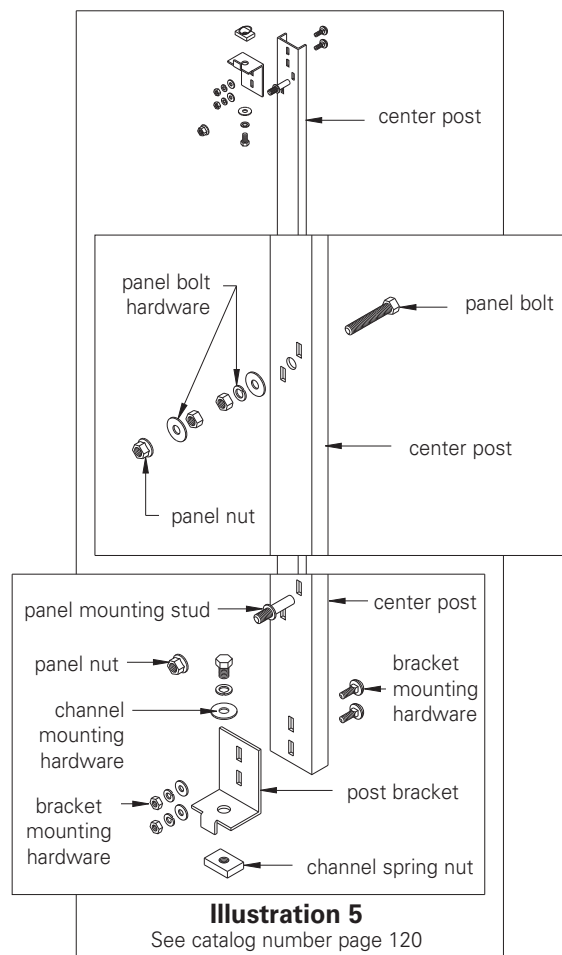
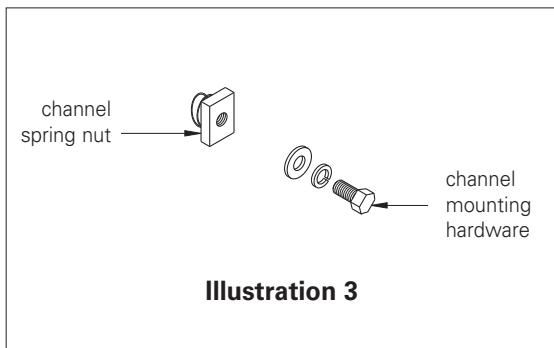
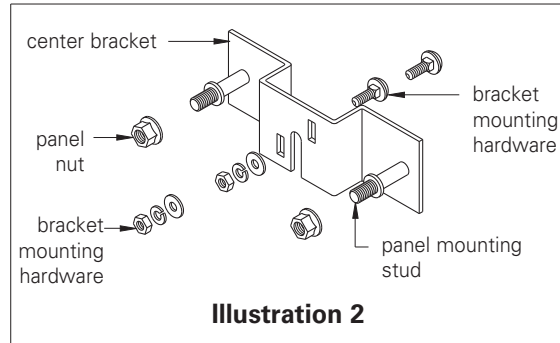
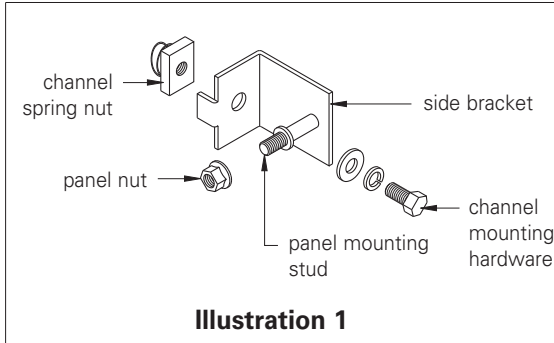
Notes: Dimensions are in inches. Millimeters shown are for reference only. Data subject to change without notice.

Free-Standing Enclosure Accessories Type 12 Miscellaneous Accessories Illustration Sheet and Catalog Number

Discount Schedule: C2
Subclass: D50

Miscellaneous Accessories

Catalog Number	Description	Illustration	Quantity
AFSBRKT1	Panel mounting side bracket	1	1
AFCBRKT3	Panel mounting center bracket	2	3
AFCMH3	Channel mounting hardware	3	3
AFSUP2	Double-door panel support bracket	4	2



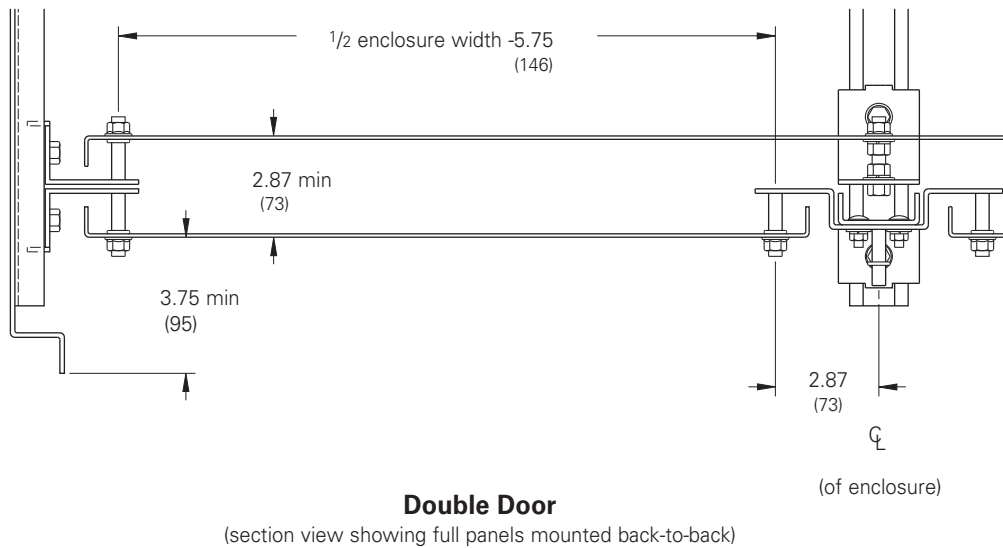
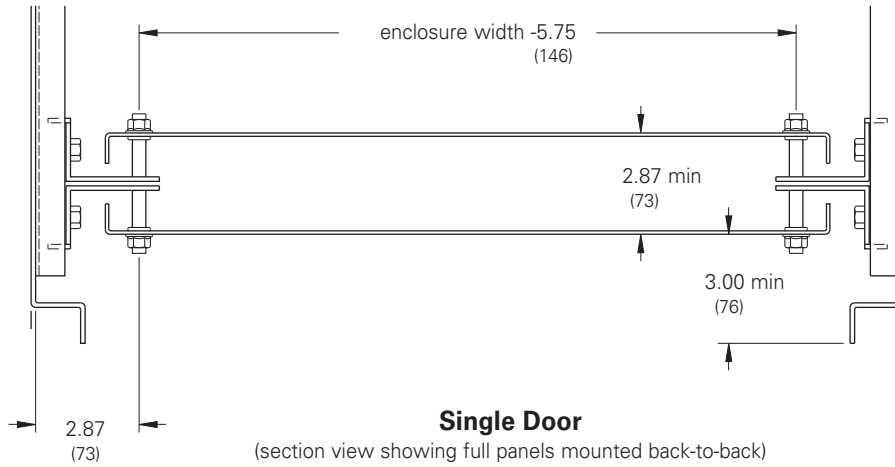
Notes: Dimensions are in inches. Millimeters shown are for reference only. Data subject to change without notice.

Type 12 / 13 Panel Enclosures

Free-Standing Enclosure Details Type 12 Panel and Enclosure Detail Sheet

Discount Schedule: C2
Subclass: DSO

Type 12/13 Panel Encl.



Notes: Dimensions are in inches. Millimeters shown are for reference only. Data subject to change without notice.

Free-Standing Enclosure Details

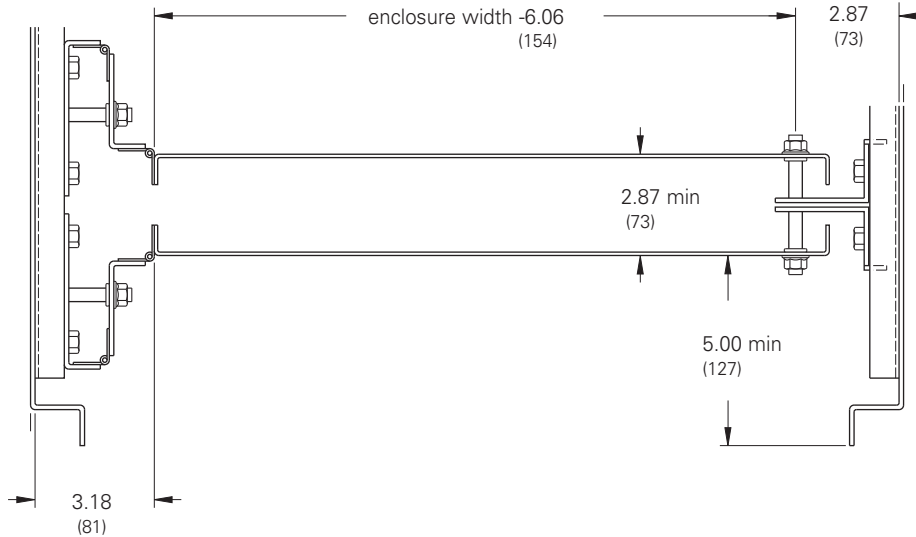
Type 12

Swing Panel and Enclosure

Detail Sheet

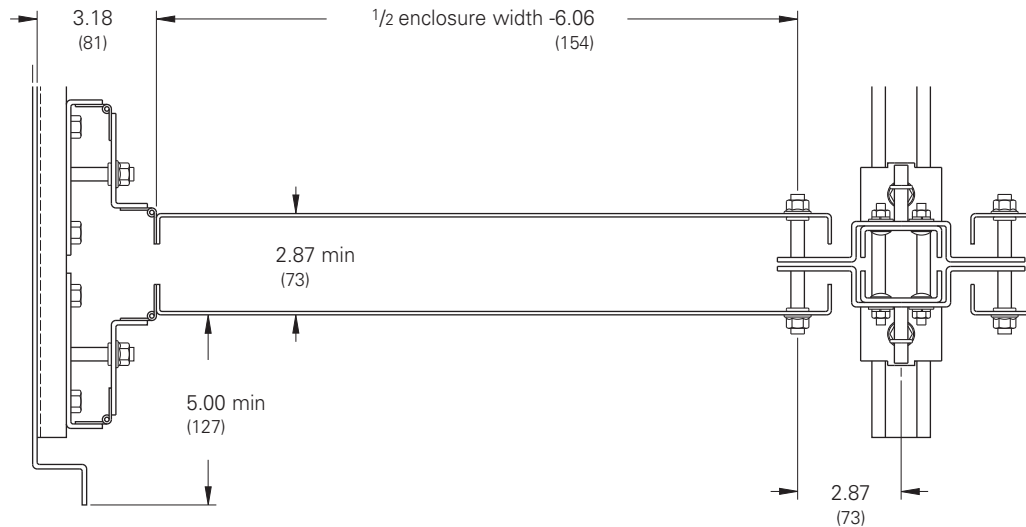
Discount Schedule: C2

Subclass: DSD



Single Door

(section view showing swing panels mounted back-to-back)



Double Door

(section view showing swing panels mounted back-to-back)

⌀
(of enclosure)

Notes: Dimensions are in inches. Millimeters shown are for reference only. Data subject to change without notice.

Type 12 / 13 Panel Enclosures

Ground-Mount Enclosures Type 12 Modular Free-Standing with 3-Point Locking Data Sheet

Type 12/13 Panel Encl.



Construction

- Enclosure and door are fabricated from (12) gauge steel
- All continuous welded seams are finished smooth
- Doors are secured to the body with removable concealed hinges and a center locating 3-point key-locking and padlock handle mechanism
- Modern bevel profile on hinge side of enclosure door
- Slave doors cannot open without activation of mechanical interlock but can close in any order
- Double-door units have a removable center post
- Doors have an oil-resistant gasket
- Ground stud provided on doors and body
- Print pocket provided
- Modular design and flanged side opening provide strength and a variety of mounting arrangements
- Heavy steel stiffeners welded across the back provide enclosure rigidity
- Removable panels mounted on .375-16 collar studs and panel supports are furnished
- Large lifting eyebolts are supplied

Discount Schedule: C2

Subclass: DNO

Application

- Houses electrical controls and instruments
- Protects against circulating dust, falling dirt and dripping non-corrosive liquids

Standards

- UL 508A listed, Type 12
- CSA C22.2 No.94 certified, Type 12
- Conforms to NEMA standard for Type 12

Finish

- Wash and phosphate undercoat
- ANSI 61 gray polyester powder finish
- Panels have a white polyester powder finish

Accessories

- Channel mounting hardware
- Blank adapter plates
- Operator adapters
- Touch-up paint
- Replacement handle, BD-PKHB (see page 429)
- See Accessories section

Important Note

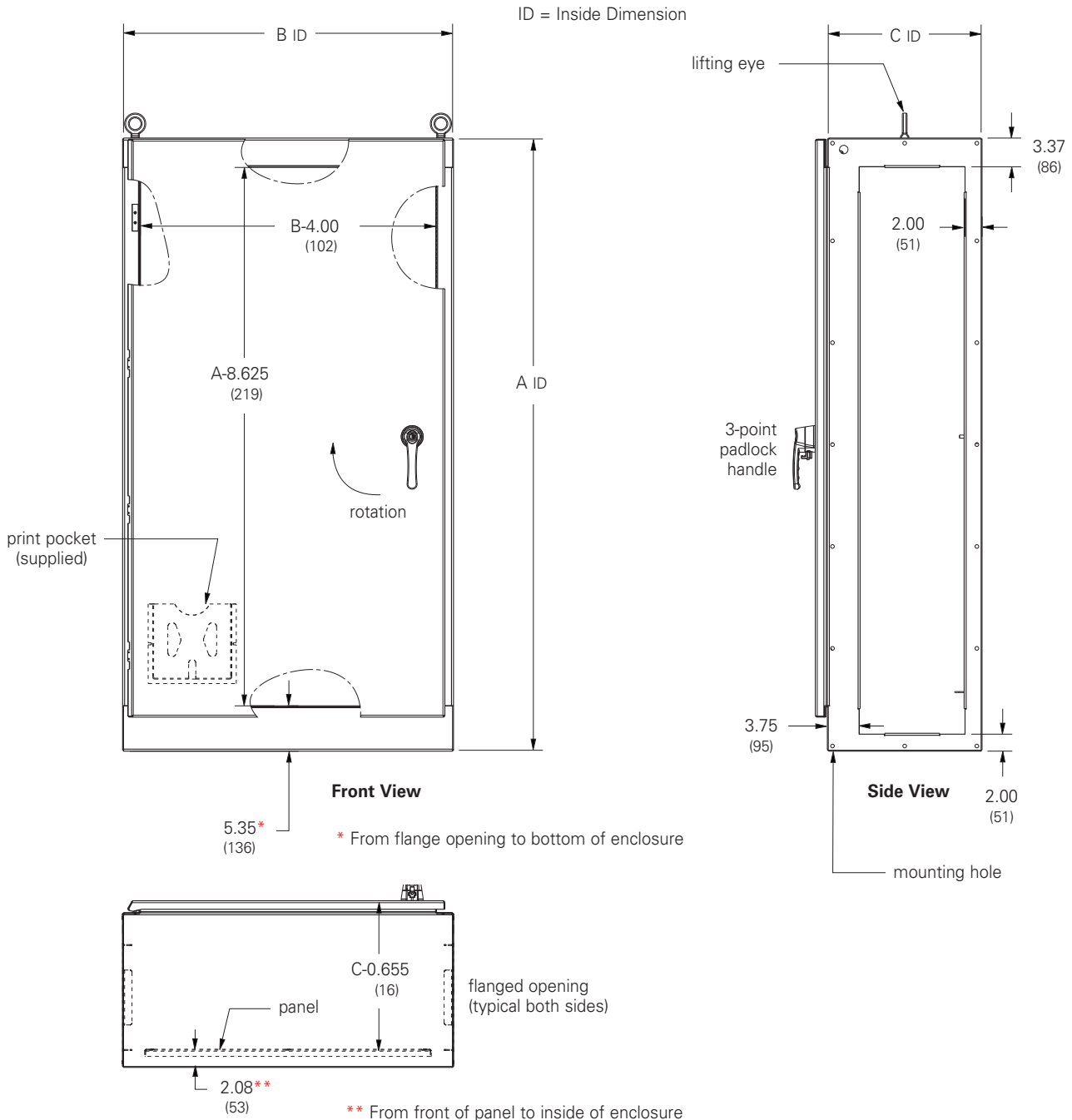
When ordering modular enclosure systems, be sure to include all the necessary components.

1. Gasket kits and/or end plates (see page 129)

Notes: We can provide special sizes, finishes and other modifications. Consult the factory for your special requirements.

Ground-Mount Enclosures Type 12 Modular Single-Door Free-Standing with 3-Point Locking Illustration Sheet and Catalog Number

Enclosure Catalog Number	Enclosure Size Height x Width x Depth		Panel Size	
	A x B x C		Height	Width
	in.	mm	in.	mm
M723818-12FS	72.00 x 38.75 x 18.00	1829 x 984 x 457	60.00 x 33.75	1524 x 857
M843818-12FS	84.00 x 38.75 x 18.00	2134 x 984 x 457	72.00 x 33.75	1829 x 857
M843824-12FS	84.00 x 38.75 x 24.00	2134 x 984 x 610	72.00 x 33.75	1829 x 857



Type 12/13 Panel Encl.

Notes: Four lifting eyes are furnished when C dimension is 24 (610 mm). Dimensions are in inches. Millimeters shown are for reference only. Data subject to change without notice.

Type 12 / 13 Panel Enclosures

Ground-Mount Enclosures

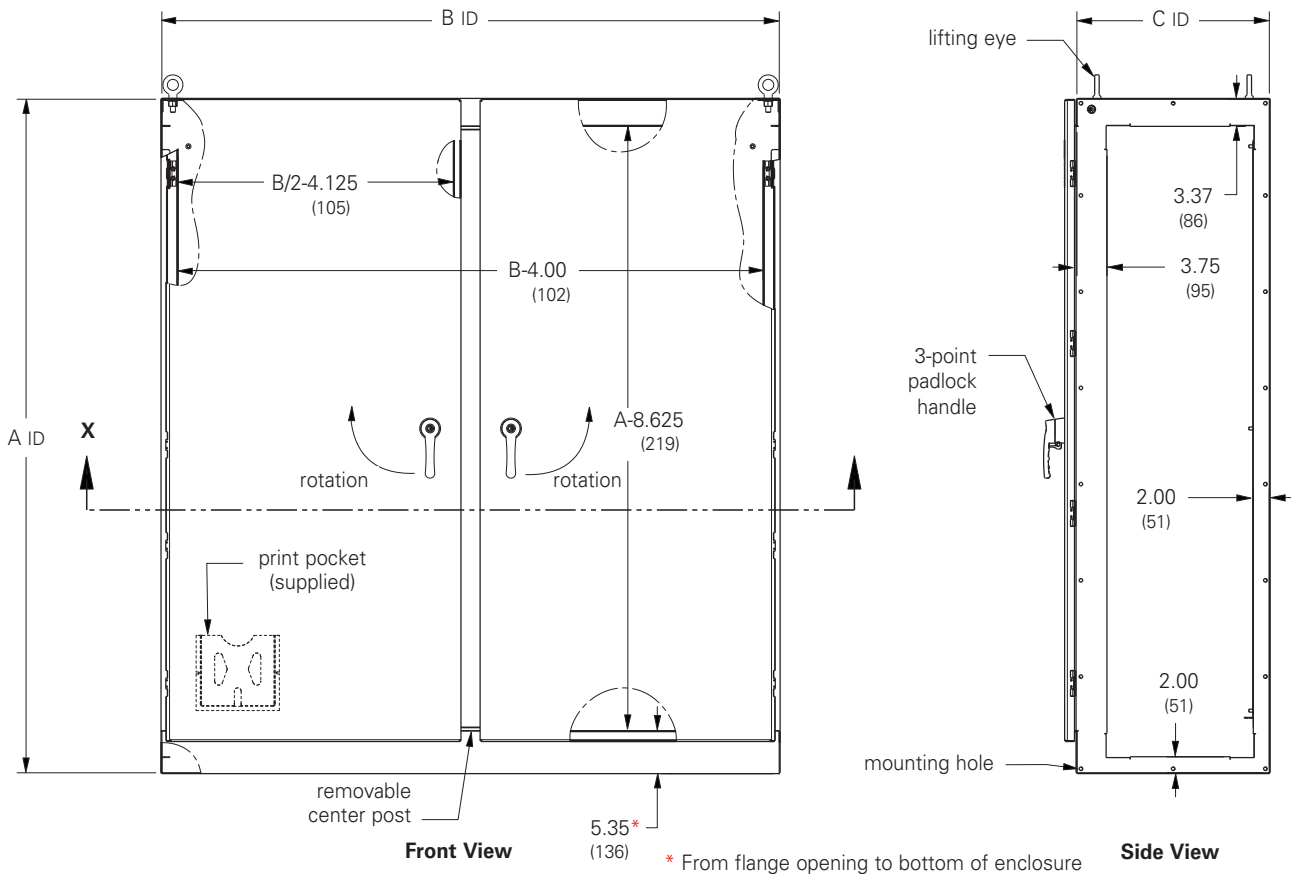
Type 12 Double-Door Modular Free-Standing with 3-Point Locking

Illustration Sheet and Catalog Number

Enclosure Catalog Number	Enclosure Size Height x Width x Depth A x B x C		Panel Size Height x Width	
	in.	mm	in.	mm
M727718-12FS	72.00 x 77.00 x 18.00	1829 x 1956 x 457	60.00 x 72.00	1524 x 1829
M847718-12FS	84.00 x 77.00 x 18.00	2134 x 1956 x 457	72.00 x 72.00	1829 x 1829
M847724-12FS	84.00 x 77.00 x 24.00	2134 x 1956 x 457	72.00 x 72.00	1829 x 1829

ID = Inside Dimension

Type 12/13 Panel Encl.



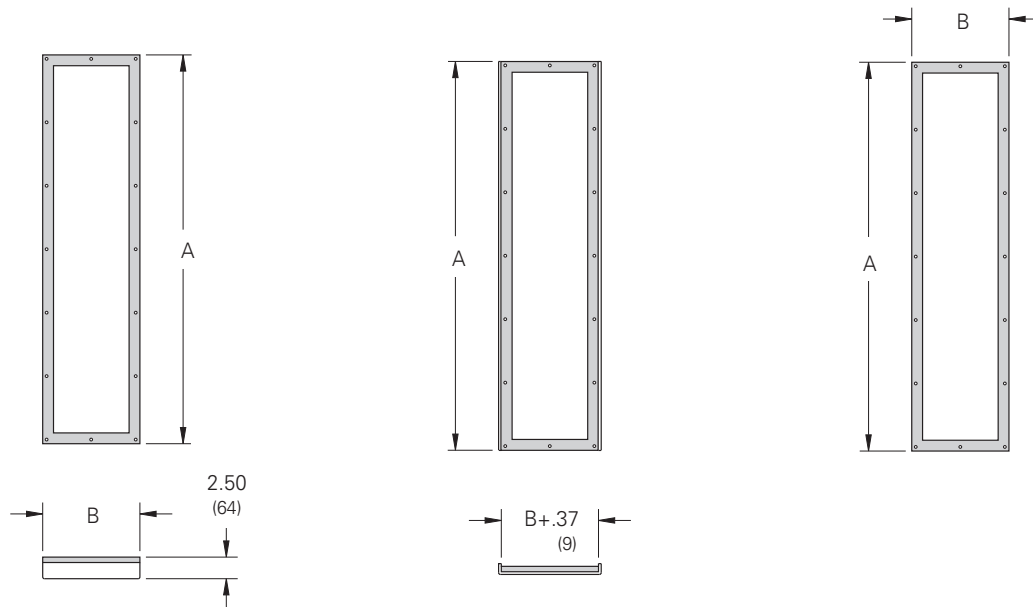
** From front of panel to inside of enclosure

Notes: Two lifting eyes are furnished when C dimension is 18 (457 mm). Dimensions are in inches. Millimeters shown are for reference only. Data subject to change without notice.

Modular Free-Standing Enclosure Accessories Type 12 Illustration Sheet and Catalog Number

Modular Accessories

Catalog Number	Size				Fits Enclosure			
	A		B		H x D			
	in.	mm	in.	mm	in.	mm	in.	mm
End Plate								
M7218-12FEK	72.00	1829	18.00	457	72.00	1829	18.00	457
M8418-12FEK	84.00	2134	18.00	457	84.00	2134	18.00	457
M8424-12FEK	84.00	2134	24.00	610	84.00	2134	24.00	610
Flat End Plate/Barrier								
M7218-12FBK	72.00	1829	18.25	464	72.00	1829	18.00	457
M8418-12FBK	84.00	2134	18.25	464	84.00	2134	18.00	457
M8424-12FBK	84.00	2134	24.25	464	84.00	2134	24.00	610
Gasket Kit								
M7218-12FGK	72.00	1829	18.00	457	72.00	1829	18.00	457
M8418-12FGK	84.00	2134	18.00	457	84.00	2134	18.00	457
M8424-12FGK	84.00	2134	24.00	610	84.00	2134	24.00	610



End Plate

Formed end plate and gasket used to seal open end of Modular enclosure. Includes: End Plate, Gasket & Hardware.

Flat End Plate

Flat end plate and gasket used to seal open end of Modular enclosure. Also can serve as a barrier when additional gasket is used. Includes: Flat End Plate, Gasket & Hardware

Gasket Kit

Pre-cut and pre-punched high density poron gasket is required for sealing barrier to additional modular enclosures when ganging. Includes: Gasket & Hardware.

Notes: Dimensions are in inches. Millimeters shown are for reference only. Data subject to change without notice.

Type 12 / 13 Panel Enclosures

Ground-Mount Enclosures Type 12 Multi-Door Free-Standing with 3-Point Locking Data Sheet



Type 12/13 Panel Encl.

Application

- Houses electrical controls and instruments
- Protects against circulating dust, falling dirt and dripping non-corrosive liquids

Standards

- UL 508A listed, Type 12
- CSA C22.2 No.94 certified, Type 12
- Conforms to NEMA standard for Type 12

Accessories

- Channel mounting hardware
- Touch-up paint
- Replacement handle, BD-PKHB, (see page 429)
- See Accessories section

Finish

- Wash and phosphate undercoat
- ANSI 61 gray polyester powder finish

Construction

- Enclosure body (10) gauge and doors (12) gauge are fabricated from steel
- All continuous welded seams are finished smooth
- Doors are secured to the body with removable concealed hinges and a center locating 3-point key-locking and padlock handle mechanism
- Modern bevel profile on hinge side of enclosure doors
- Double-door sections close right over left with no center post for complete access
- Right side door provides a mechanical interlock and serves as a master door
- Slave doors cannot open without activating mechanical interlock but can close in any order
- Doors have an oil-resistant gasket
- Ground stud provided on doors and body
- Print pockets provided
- Heavy steel stiffeners welded across the back provide enclosure rigidity
- Lighting mounting channel provided
- Removable panels mounted on .375-16 collar studs and panel supports are furnished behind each door
- Large lifting eyebolts are supplied
- Three styles of enclosure construction:
 1. Three-door: single and double-door section
 2. Four-door: (2) double door sections
 3. Five-door: single and (2) double-door sections
- Panels have a white enamel finish

Discount Schedule: C2

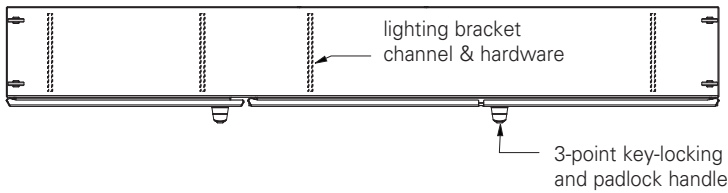
Subclass: DMM

Notes: We can provide special sizes, finishes and other modifications. Consult the factory for your special requirements.

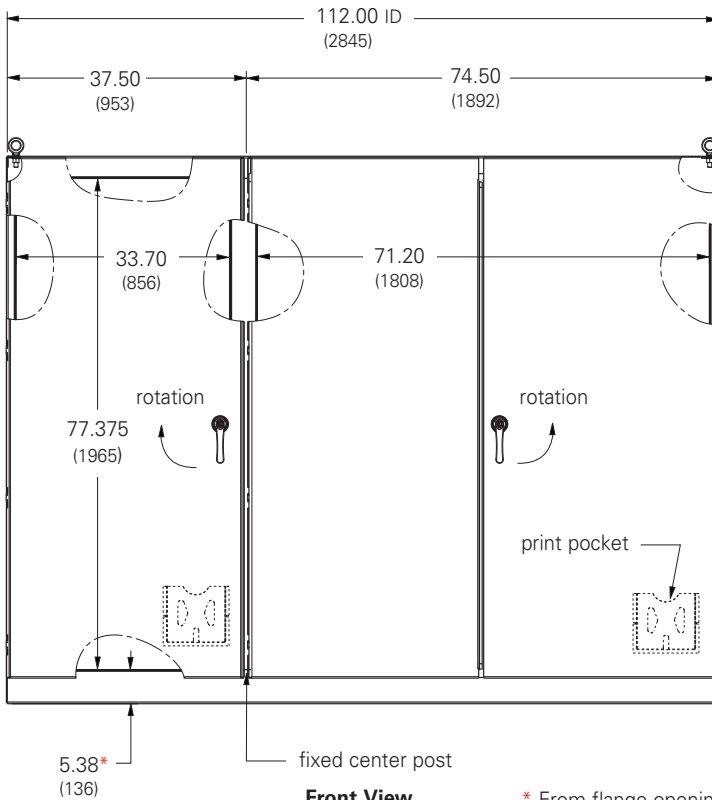
Ground-Mount Enclosures Type 12 Three-Door Free-Standing with 3-Point Locking Illustration Sheet and Catalog Number

Enclosure Catalog Number	Enclosure Size		Panel A Size		Panel B Size		
	Height in.	Width x Depth mm	Height in.	Width mm	Height in.	Width mm	
8611214-12FS	86.00	112.00 x 14.00	78.00	2184 x 2845 x 356	78.00	838	1981 x 1778

Top View

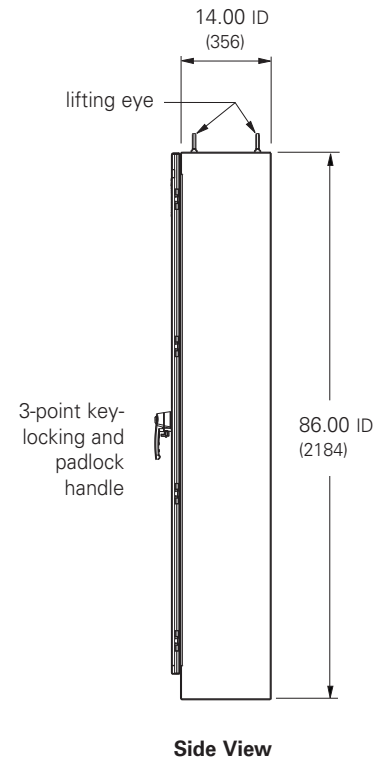


ID = Inside Dimension

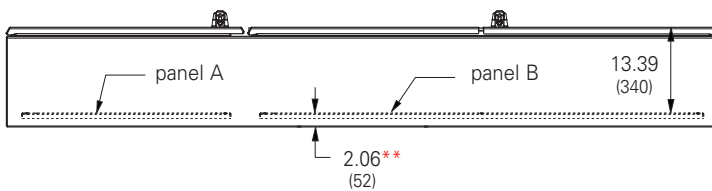


Front View

* From flange opening to bottom of enclosure



Side View



Bottom View

** From front of panel to inside of enclosure

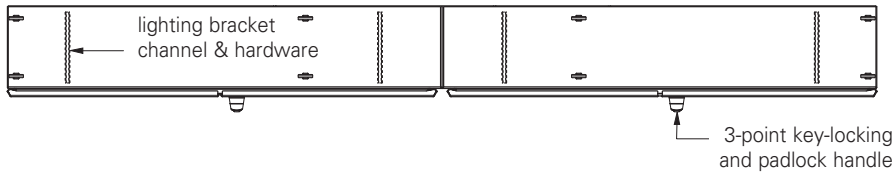
Notes: Dimensions are in inches. Millimeters shown are for reference only. Data subject to change without notice.

Type 12 / 13 Panel Enclosures

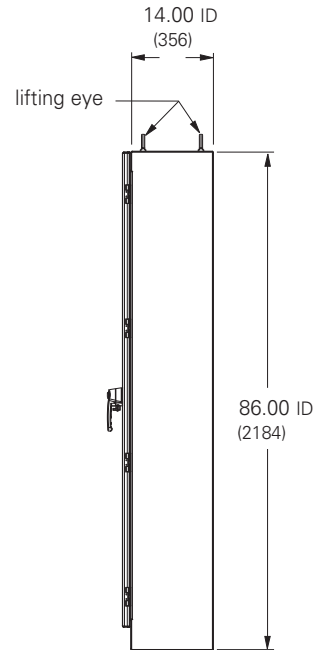
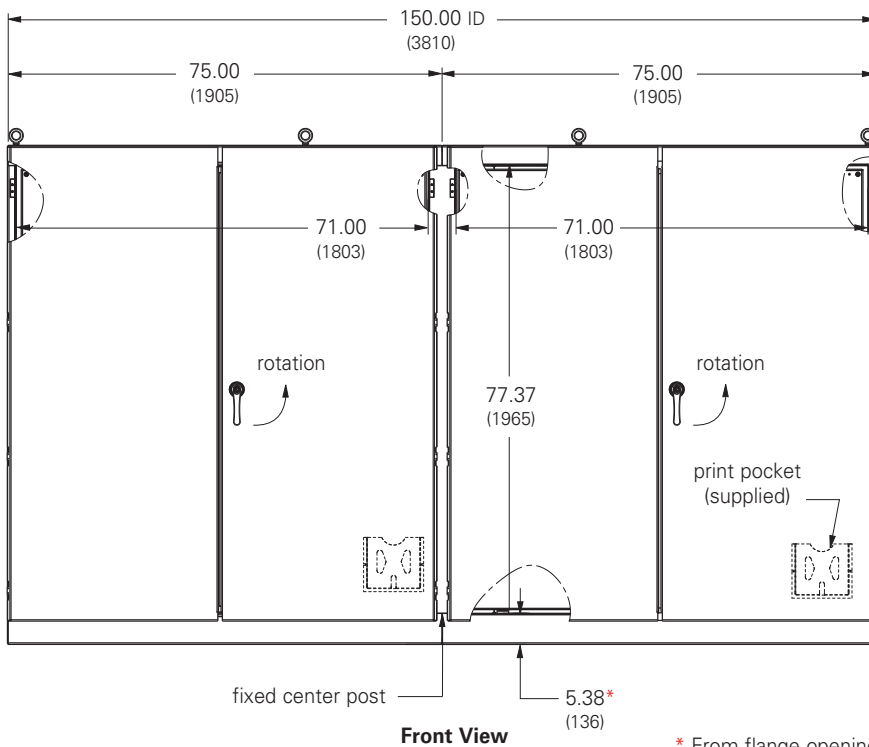
Ground-Mount Enclosures Type 12 Four-Door Free-Standing with 3-Point Locking Illustration Sheet and Catalog Number

Enclosure Catalog Number	Enclosure Size		Panel Size	
	Height in.	Width x Depth mm	Height in.	Width mm
8615014-12FS	86.00	150.00 x 14.00	78.00	1981 x 1778

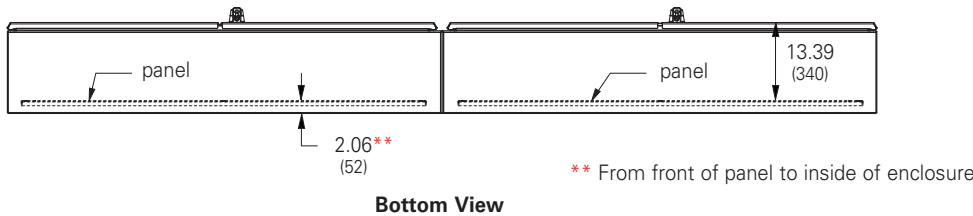
Top View



ID = Inside Dimension



Side View



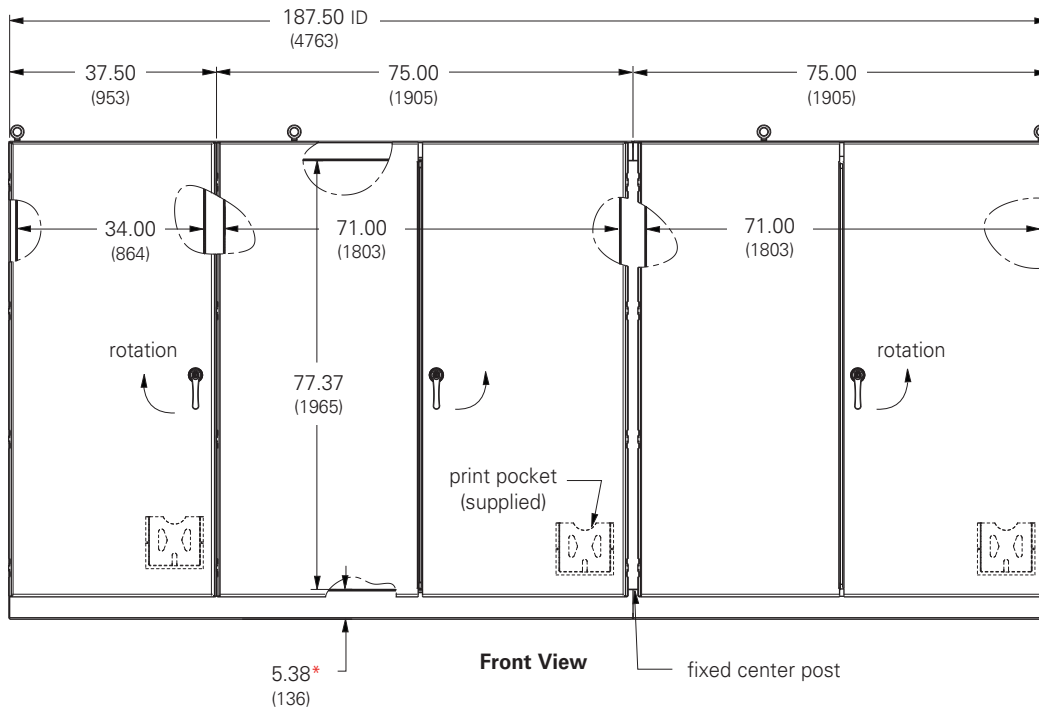
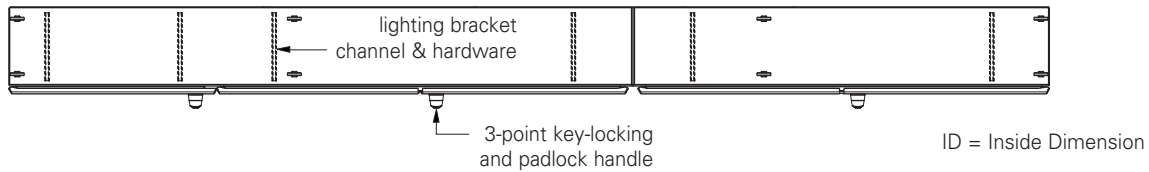
Bottom View

Notes: Dimensions are in inches. Millimeters shown are for reference only. Data subject to change without notice.

Ground-Mount Enclosures Type 12 Five-Door Free-Standing with 3-Point Locking Illustration Sheet and Catalog Number

Enclosure	Enclosure Size		Panel A Size		Panel B Size			
Catalog Number	Height	Width x Depth	Height	Width	Height	Width		
	in.	mm	in.	mm	in.	mm		
8618714-12FS	86.00	187.50 x 14.00	2184 x 4763	356	78.00 x 33.00	1981 x 838	78.00 x 70.00	1981 x 1778

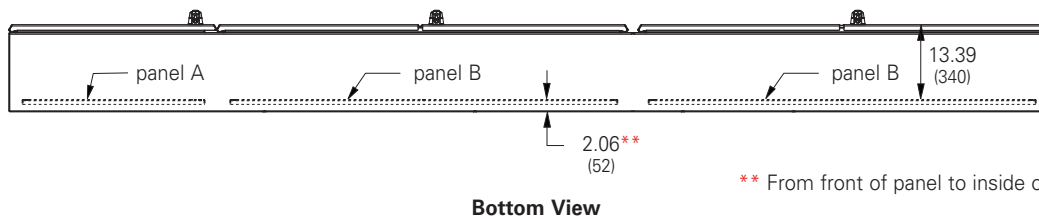
Top View



* From flange opening to bottom of enclosure



Type 12/13 Panel Encl.



** From front of panel to inside of enclosure

Notes: Dimensions are in inches. Millimeters shown are for reference only. Data subject to change without notice.