

HVS-J In-Line Splice for 1/C Jacketed Concentric Neutral Cables

FEATURES

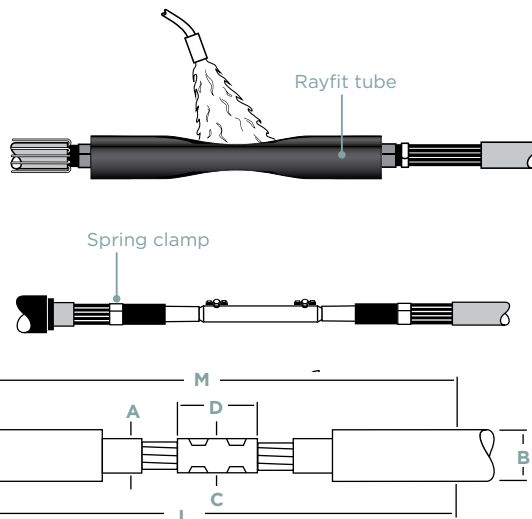
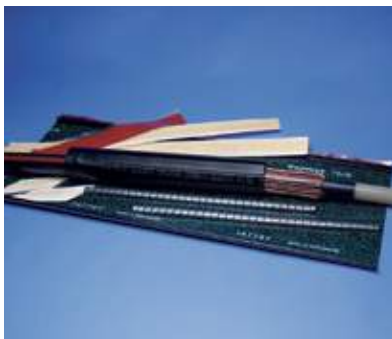
- In addition to the unique internal moisture seal, the SJ/EJ kits feature TE's Raychem MBSM wraparound outer jacket which provides mechanical resistance to abrasion and impact, as well as an external moisture seal.
- TE's Raychem HVS joints have been qualified to IEEE-404

APPLICATIONS

- For 1/C jacketed concentric neutral cables up to 15 kV.

BENEFITS

- ♦ Provide stress control, rebuild the shielding systems, and restore primary cable insulation to 133% of the cable's original insulation level.
- ♦ High recovery forces
- ♦ Same range as prior HVS-1510S-J
- ♦ Range taking Aluminum or Copper shear bolts available



PRODUCT SELECTION INFORMATION: DIMENSIONS IN INCHES (MM)

Catalog Number	Conductor Size (AWG/kcmil)	Min - Max Insulation Dia. (A)	Jacket O.D. (max) (B)	Max Connector O.D. (C)	Max Connector Length (D)	Kit Installed Length (L)	Required Install Space (M)
HVS-C-1510S-J Without Connector							
HVS-C-1511S-J	#2-2/0	0.65-0.95 (17-24)	1.20 (30)	0.80 (20)	4.0 (100)	28 (700)	28 (700)
HVS-C-1512S-J	3/0-400	0.85-1.30 (23-33)	1.65 (42)	1.20 (30)	5.0 (125)	28 (700)	28 (700)
HVS-C-1513S-J	500-750	1.10-1.55 (28-47)	1.90 (48)	1.45 (44)	6.0 (150)	35 (870)	35 (870)
HVS-C-1514S-J	750-1000	1.30-1.90 (33-48)	2.30 (58)	1.85 (47)	8.0 (200)	35 (870)	35 (870)
HVS-C-1510S-J with Copper Mechanical Shear Bolt Connector							
HVS-C-1512S-J-M1	3/0-400	0.85-1.30 (23-33)	1.65 (42)	1.20 (30)	4.0 (100)	28 (700)	28 (700)
HVS-C-1513S-J-M2	500-750	1.10-1.55 (28-47)	1.90 (48)	1.45 (37)	5.0 (125)	35 (870)	35 (870)
<i>M1 = csbs-20C-500C-SOS. M2 = CSBS - 300C-750C-SOS</i>							
HVS-S-1510S-J-with Aluminum Mechanical Shear Bolt Connector							
HVS-S-1512S-J-M4	#2-2/0	0.65-0.95 (17-24)	1.20 (30)	.095 (24)	2.5 (65)	28 (700)	28 (700)
HVS-S-1512S-J-M5	2/0-350	0.79-1.19 (20-30)	1.65 (42)	1.25 (30)	4.0 (100)	28 (700)	28 (700)
HVS-S-1513S-J-M6	350-500	1.04-1.33 (26-34)	1.80 (45)	1.30 (34)	5.0 (125)	35 (870)	35 (870)
HVS-S-1514S-J-M8	500-750	1.16-1.55 (29-39)	1.90 (48)	1.55 (40)	6.0 (150)	35 (870)	35 (870)
HVS-S-1514S-J-M9	750-1000	1.35-1.70 (34-43)	2.30 (58)	1.75 (43)	8.0 (200)	35 (870)	35 (870)
<i>M4 = ASBS-2-3/0, M5 = ASBS-2-350, M6 = ASBS-3/0-500, M8 = ASBS-500-750, M9 = ASBS-600-1000</i>							

ADDITIONAL PRODUCT INFORMATION

- Select the appropriate catalog number. All selections are based on the typical dimensions for both 100% and 133% insulated cables.
- Use the insulation OD, and jacket OD range as the final ordering criteria.
- Kits can be installed with either aluminum or copper compression connectors (connectors not included with kit).
- If external grounding is required, order an HVS-EG kit.
- Standard package: 1 kit/box
- Related Test Report: EDR-5440 and EDR-5444.
- For AL Mechanical Shear Bolt connector information request data sheet 9-1773440-4 and for CU request 165972.

