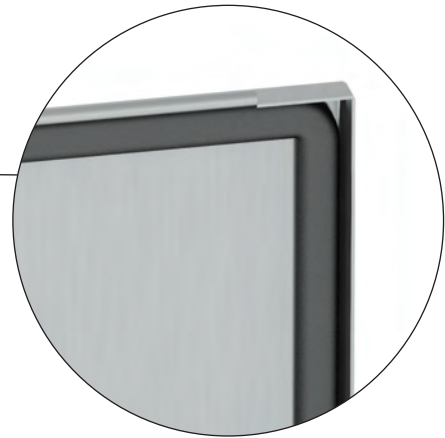


Type 4X Panel Enclosures

JIC Enclosures Type 4X Lift-Off Cover Data Sheet



Seamless, poured in-place gasket

Application

- Houses electrical controls and instruments
- Intended for indoor or outdoor use where a corrosive environment exists
- Protects against corrosion, windblown dust and rain, splashing water and hose directed water

Standards

- UL 508A listed, Type 4X, Type 4, Type 12 and Type 13
- CSA C22.2 No.94 certified, Type 4X, Type 4, Type 12 and Type 13
- Conforms to NEMA standard for Type 4X, Type 4, Type 12 and Type 13

Finish

- Cover and sides of body have a smooth #4 brushed finish

Accessories

- Panels
- JIC terminal strap kit
- JIC terminal strip kit
- Terminal blocks
- See Accessories section

Construction

- Enclosure and cover are fabricated from (16) gauge, Type 304 or Type 316L stainless steel
- All continuous welded seams are finished smooth
- Cover is secured to the body with easy-to-operate stainless steel screw clamps mounted on all four sides
- Cover has a seamless poured in-place gasket
- #10-32 weld nuts are provided for mounting optional panel on 6" x 4" and larger enclosures
- Ground stud provided on cover
- External mounting feet are provided for secure wall mounting

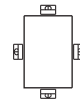
Discount Schedule: C2

**Subclass: DD0 (Type 304)
D10 (Type 316L)**

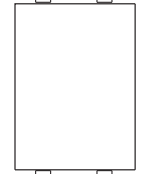
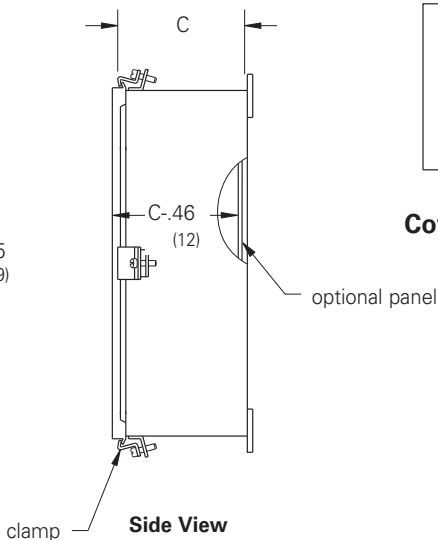
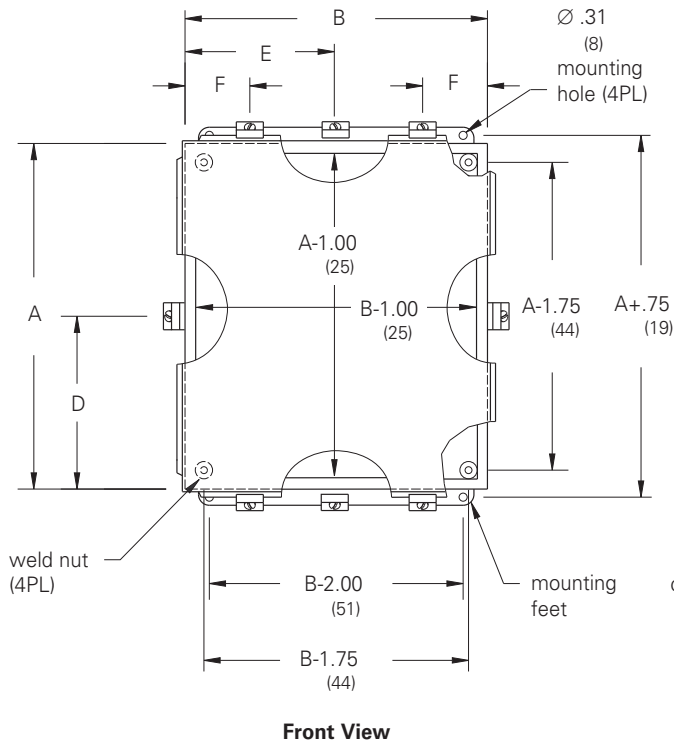
Notes: We can provide special sizes, finishes and other modifications. Consult the factory for your special requirements.

JIC Enclosures Type 4X Lift-Off Cover Illustration Sheet and Catalog Number

Enclosure Catalog Number Stainless Steel		Enclosure Size Height x Width x Depth A x B x C		D	E	F	Panel Catalog Number		Panel Size Height x Width		
Type 304	Type 316L	in.	mm	in.	mm	in.	mm	Steel	Conductive	in.	mm
443-4XSLC	443-4XSS6LC	4.00 x 4.00 x 3.00	102 x 102 x 76	2.00	51	2.00	51	-	-	-	-
643-4XSLC	643-4XSS6LC	6.00 x 4.00 x 3.00	152 x 102 x 76	3.00	76	2.00	51	AW64P	AW64GP	4.87 x 2.87	124 x 73
664-4XSLC	664-4XSS6LC	6.00 x 6.00 x 4.00	152 x 152 x 102	3.00	76	3.00	76	AW66P	AW66GP	4.87 x 4.87	124 x 124
864-4XSLC	864-4XSS6LC	8.00 x 6.00 x 4.00	203 x 152 x 102	-	-	-	-	AW86P	AW86GP	6.87 x 4.87	174 x 124
884-4XSLC	884-4XSS6LC	8.00 x 8.00 x 4.00	203 x 203 x 102	-	-	-	-	AW88P	AW88GP	6.87 x 6.87	174 x 174
1084-4XSLC	1084-4XSS6LC	10.00 x 8.00 x 4.00	254 x 203 x 102	-	-	-	-	AW108P	AW108GP	8.87 x 6.87	225 x 174
12105-4XSLC	12105-4XSS6LC	12.00 x 10.00 x 5.00	305 x 254 x 127	-	-	-	-	AW1210P	AW1210GP	10.87 x 8.87	276 x 225
14126-4XSLC	14126-4XSS6LC	14.00 x 12.00 x 6.00	356 x 305 x 152	-	-	-	-	AW1412P	AW1412GP	12.87 x 10.87	327 x 276
16146-4XSLC	16146-4XSS6LC	16.00 x 14.00 x 6.00	406 x 356 x 152	-	-	-	-	AW1614P	AW1614GP	14.87 x 12.87	378 x 327



443-4XSLC
643-4XSLC
664-4XSLC



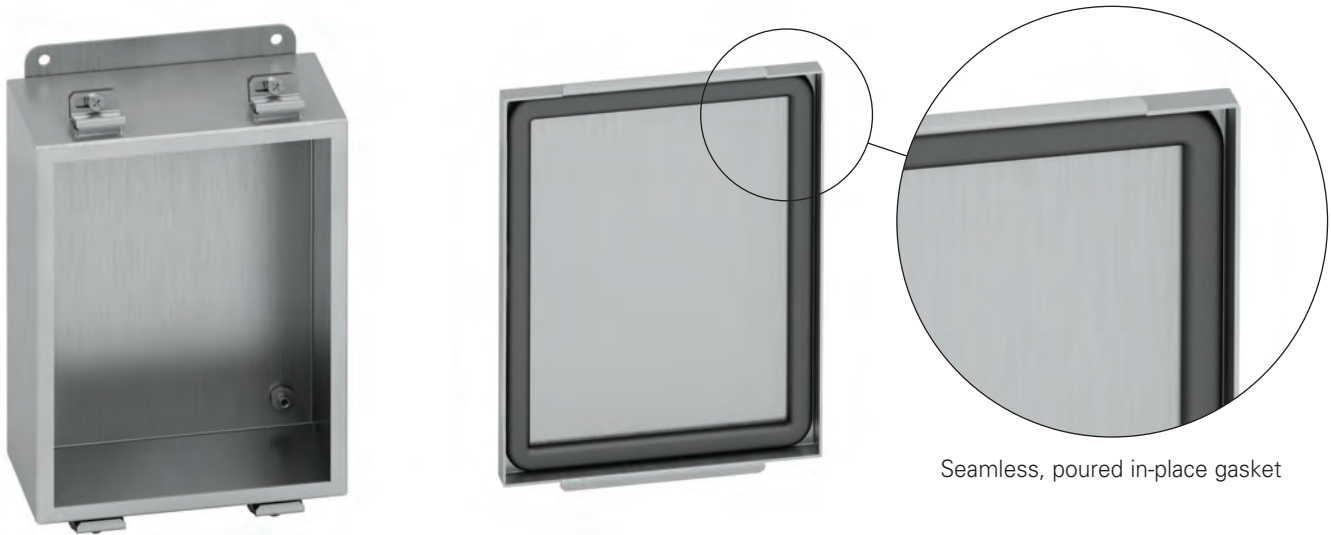
864-4XSLC
884-4XSLC
1084-4XSLC
12105-4XSLC
14126-4XSLC
16146-4XSLC

Cover Clamp Layout

Notes: Dimensions are in inches. Millimeters shown are for reference only. Data subject to change without notice.

Type 4X Panel Enclosures

JIC Enclosures Type 4X Lift-Off Cover, Aluminum Data Sheet



Seamless, poured in-place gasket

Application

- Houses electrical controls and instruments
- Intended for indoor or outdoor use where a corrosive environment exists
- Protects against corrosion, windblown dust and rain, splashing water and hose directed water

Standards

- UL 508A listed, Type 4, Type 4X, Type 12 and Type 13
- CSA C22.2 No.94 certified, Type 4, Type 4X, Type 12 and Type 13
- Conforms to NEMA standard for Type 4, Type 4X, Type 12 and Type 13

Finish

- Cover and sides of body have a smooth #4 brushed finish

Accessories

- Panels
- JIC terminal strap kit
- JIC terminal strip kit
- Terminal blocks
- See Accessories section

Construction

- Enclosure and cover are fabricated from (14) gauge, Type 5052-H32 aluminum
- All continuous welded seams are finished smooth
- Cover is secured to the body with easy-to-operate stainless steel screw clamps mounted on all four sides
- Each door has a print pocket and padlock hasp with sealing hole provision
- Cover has a seamless poured in-place gasket
- #10-32 weld nuts are provided for mounting optional panel on 6" x 4" and larger enclosures
- External mounting feet are provided for secure wall mounting

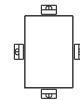
Discount Schedule: C2

Subclass: DDA

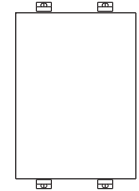
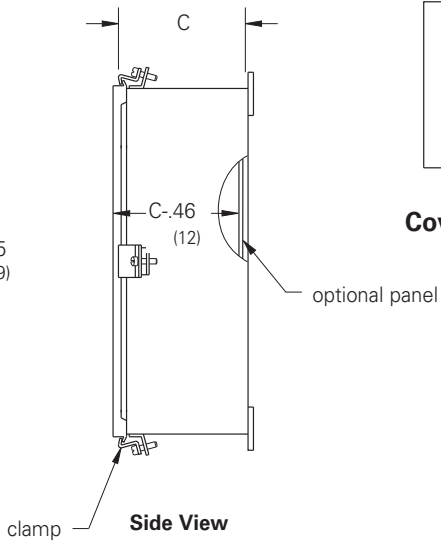
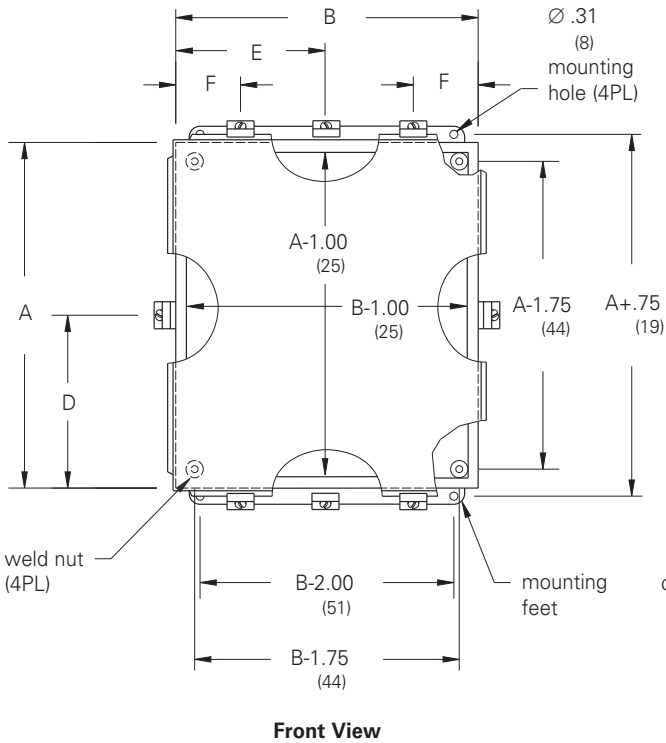
Notes: We can provide special sizes, finishes and other modifications. Consult the factory for your special requirements.

JIC Enclosures Type 4X Lift-Off Cover, Aluminum Illustration Sheet and Catalog Number

Enclosure Catalog Number	Enclosure Size Height x Width x Depth A x B x C		D		E		F		Panel Catalog Number		Panel Size Height x Width	
	in.	mm	in.	mm	in.	mm	in.	mm	Steel	Conductive	in.	mm
443-4XALC	4.00	102	2.00	51	2.00	51	-	-	-	-	-	-
643-4XALC	6.00	152	3.00	76	2.00	51	-	-	AW64P	AW64GP	4.87	124
664-4XALC	6.00	152	3.00	76	3.00	76	-	-	AW66P	AW66GP	4.87	124
864-4XALC	8.00	203	-	-	-	-	2.00	51	AW86P	AW86GP	6.87	174
884-4XALC	8.00	203	-	-	-	-	2.00	51	AW88P	AW88GP	6.87	174
1084-4XALC	10.00	254	-	-	-	-	2.00	51	AW108P	AW108GP	8.87	225
12105-4XALC	12.00	305	-	-	-	-	3.00	76	AW1210P	AW1210GP	10.87	276
14126-4XALC	14.00	356	-	-	-	-	3.00	76	AW1412P	AW1412GP	12.87	327
16146-4XALC	16.00	406	-	-	-	-	3.00	76	AW1614P	AW1614GP	14.87	378



443-4XALC
643-4XALC
664-4XALC



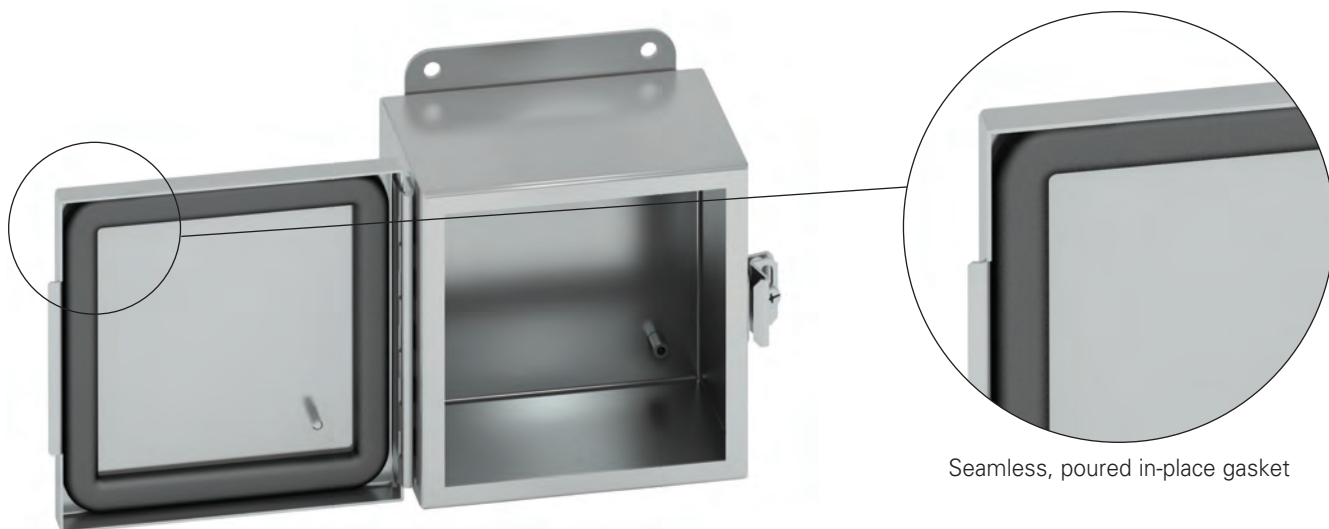
864-4XALC
884-4XALC
1084-4XALC
12105-4XALC
14126-4XALC
16146-4XALC

Cover Clamp Layout

Notes: Dimensions are in inches. Millimeters shown are for reference only. Data subject to change without notice.

Type 4X Panel Enclosures

JIC Enclosures Type 4X Continuous Hinge Cover Data Sheet



Seamless, poured in-place gasket

Application

- Houses electrical controls and instruments
- Intended for indoor or outdoor use where a corrosive environment exists
- Protects against corrosion, windblown dust and rain, splashing water and hose directed water

Standards

- UL 508A listed, Type 4, Type 4X, Type 12 and Type 13
- CSA C22.2 No.94 certified, Type 4, Type 4X, Type 12 and Type 13
- Conforms to NEMA standard for Type 4, Type 4X, Type 12 and Type 13

Finish

- Cover and sides of body have a smooth #4 brushed finish

Accessories

- Panels
- JIC terminal strap kit
- JIC terminal strip kit
- Terminal blocks
- See Accessories section

Construction

- Enclosure and cover are fabricated from (16) gauge, Type 304 or Type 316L stainless steel
- All continuous welded seams are finished smooth
- Cover is secured to the body with a stainless steel continuous hinge and pin on one side and easy-to-operate stainless steel screw clamps mounted to the opposite side
- Cover has a seamless poured in-place gasket
- Ground stud provided on cover
- #10-32 weld nuts are provided for mounting optional panel
- External mounting feet are provided for secure wall mounting

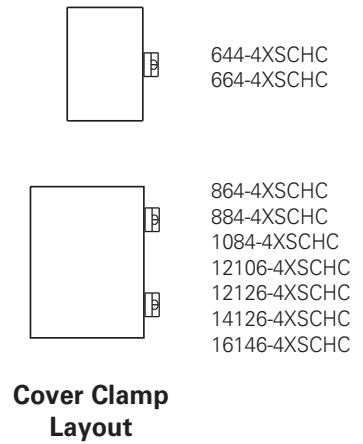
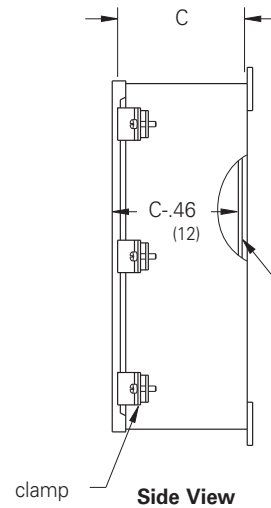
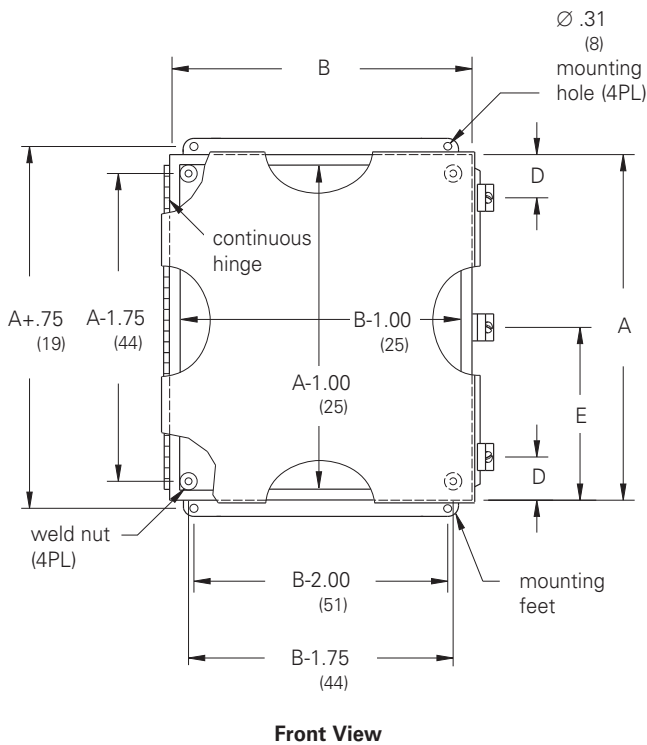
Discount Schedule: C2

**Subclass: DDO (Type 304)
D10 (Type 316L)**

Notes: We can provide special sizes, finishes and other modifications. Consult the factory for your special requirements.

JIC Enclosures Type 4X Continuous Hinge Cover Illustration Sheet and Catalog Number

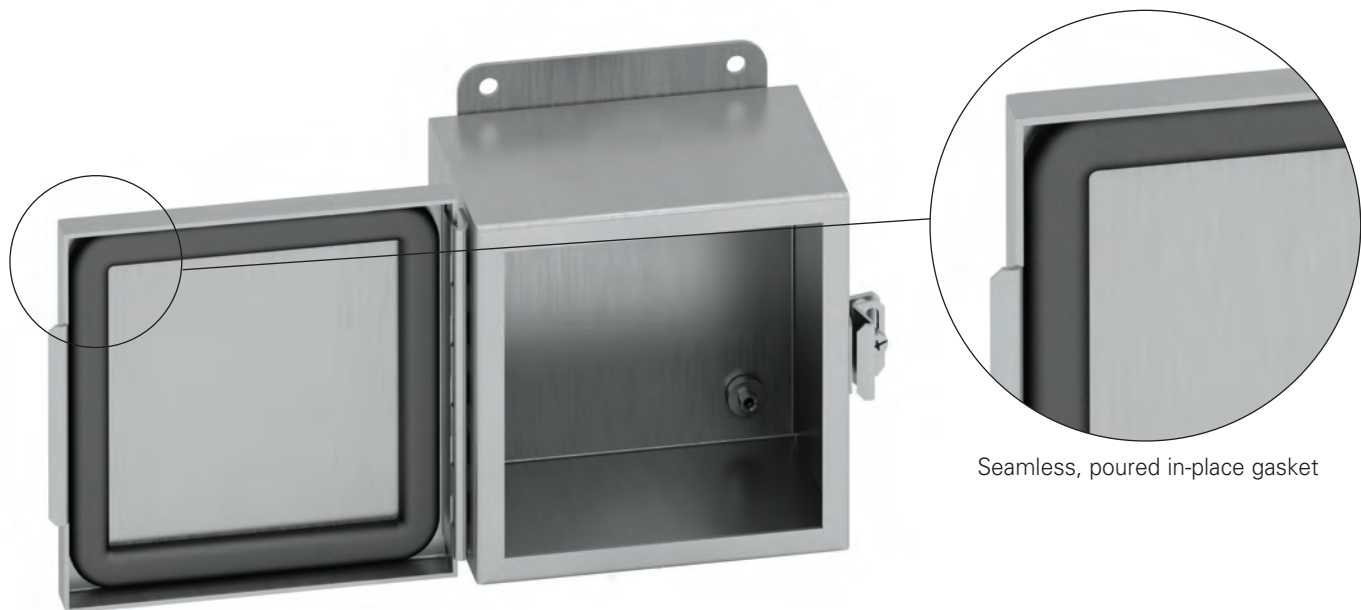
Enclosure Catalog Number		Enclosure Size		D		E		Panel Catalog Number		Panel Size	
Stainless Steel		Height x Width x Depth								Height x Width	
Type 304	Type 316L	in.	mm	in.	mm	in.	mm	Steel	Conductive	in.	mm
644-4XSCHC	644-4XSS6CHC	6.00 x 4.00 x 4.00	152 x 102 x 102	-	-	3.00	76	AW64P	AW64GP	4.87 x 2.87	124 x 73
664-4XSCHC	664-4XSS6CHC	6.00 x 6.00 x 4.00	152 x 152 x 102	-	-	3.00	76	AW66P	AW66GP	4.87 x 4.87	124 x 124
864-4XSCHC	864-4XSS6CHC	8.00 x 6.00 x 4.00	203 x 152 x 102	2.00	51	-	-	AW86P	AW86GP	6.87 x 4.87	174 x 124
884-4XSCHC	884-4XSS6CHC	8.00 x 8.00 x 4.00	203 x 203 x 102	2.00	51	-	-	AW88P	AW88GP	6.87 x 6.87	174 x 174
1084-4XSCHC	1084-4XSS6CHC	10.00 x 8.00 x 4.00	254 x 203 x 102	2.00	51	-	-	AW108P	AW108GP	8.87 x 6.87	225 x 174
12106-4XSCHC	12106-4XSS6CHC	12.00 x 10.00 x 6.00	305 x 254 x 152	3.00	76	-	-	AW1210P	AW1210GP	10.87 x 8.87	276 x 225
12126-4XSCHC	12126-4XSS6CHC	12.00 x 12.00 x 6.00	305 x 305 x 152	3.00	76	-	-	AW1212P	AW1212GP	10.87 x 10.87	276 x 276
14126-4XSCHC	14126-4XSS6CHC	14.00 x 12.00 x 6.00	356 x 305 x 152	3.00	76	-	-	AW1412P	AW1412GP	12.87 x 10.87	327 x 276
16146-4XSCHC	16146-4XSS6CHC	16.00 x 14.00 x 6.00	406 x 356 x 152	3.00	76	-	-	AW1614P	AW1614GP	14.87 x 12.87	376 x 327



Notes: Dimensions are in inches. Millimeters shown are for reference only. Data subject to change without notice.

Type 4X Panel Enclosures

JIC Enclosures Type 4X Continuous Hinge Cover, Aluminum Data Sheet



Application

- Houses electrical controls and instruments
- Intended for indoor or outdoor use where a corrosive environment exists
- Protects against corrosion, windblown dust and rain, splashing water and hose directed water

Standards

- UL 508A listed, Type 4, Type 4X, Type 12 and Type 13
- CSA C22.2 No.94 certified, Type 4, Type 4X, Type 12 and Type 13
- Conforms to NEMA standard for Type 4, Type 4X, Type 12 and Type 13

Finish

- Cover and sides of body have a smooth #4 brushed finish

Accessories

- Panels
- JIC terminal strap kit
- JIC terminal strip kit
- Terminal blocks
- See Accessories section

Construction

- Enclosure and cover are fabricated from (14) gauge, Type 5052-H32 aluminum
- All continuous welded seams are finished smooth
- Cover is secured to the body with an aluminum continuous hinge and pin on one side and easy-to-operate stainless steel screw clamps mounted to the opposite side
- Cover has a seamless poured in-place gasket
- #10-32 weld nuts are provided for mounting optional panel
- External mounting feet are provided for secure wall mounting

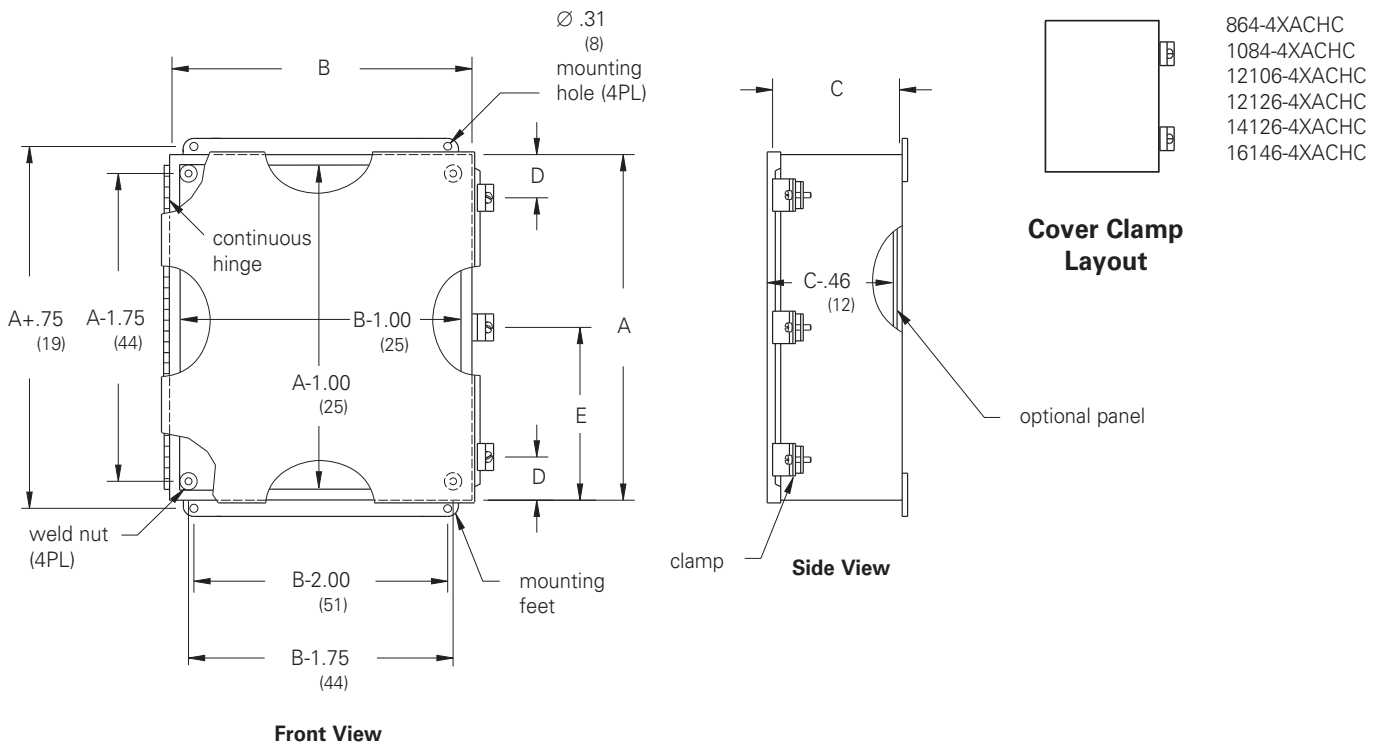
Discount Schedule: C2

Subclass: DDA

Notes: We can provide special sizes, finishes and other modifications. Consult the factory for your special requirements.

JIC Enclosures Type 4X Continuous Hinge Cover, Aluminum Illustration Sheet and Catalog Number

Enclosure Catalog Number	Enclosure Size Height x Width x Depth A x B x C		D		E		Panel Catalog Number		Panel Size Height x Width	
	in.	mm	in.	mm	in.	mm	Steel	Conductive	in.	mm
	644-4XACHC	6.00 x 4.00 x 4.00	152 x 102 x 102	-	-	3.00	76	AW64P	AW64GP	4.87 x 2.87
664-4XACHC	6.00 x 6.00 x 4.00	152 x 152 x 102	-	-	3.00	76	AW66P	AW66GP	4.87 x 4.87	124 x 124
864-4XACHC	8.00 x 6.00 x 4.00	203 x 152 x 102	2.00	51	-	-	AW86P	AW86GP	6.87 x 4.87	174 x 124
1084-4XACHC	10.00 x 8.00 x 4.00	254 x 203 x 102	2.00	51	-	-	AW108P	AW108GP	8.87 x 6.87	225 x 174
12106-4XACHC	12.00 x 10.00 x 6.00	305 x 254 x 152	3.00	76	-	-	AW1210P	AW1210GP	10.87 x 8.87	276 x 225
12126-4XACHC	12.00 x 12.00 x 6.00	305 x 305 x 152	3.00	76	-	-	AW1212P	AW1212GP	10.87 x 10.87	276 x 276
14126-4XACHC	14.00 x 12.00 x 6.00	356 x 305 x 152	3.00	76	-	-	AW1412P	AW1412GP	12.87 x 10.87	327 x 276
16146-4XACHC	16.00 x 14.00 x 6.00	406 x 356 x 152	3.00	76	-	-	AW1614P	AW1614GP	14.87 x 12.87	378 x 327



Notes: Dimensions are in inches. Millimeters shown are for reference only. Data subject to change without notice.

Type 4X Panel Enclosures

JIC Enclosures

Type 4X Continuous Hinge Cover with Quarter-Turn Latches

Data Sheet



Application

- Houses electrical controls and instruments
- Intended for indoor or outdoor use where a corrosive environment exists
- Protects against windblown dust and rain, splashing water and hose directed water

Standards

- UL 508A Listed, Type 3R, Type 4, Type 4X, Type 12
- CSA C22.2 No.94 certified, Type 3R, Type 4, Type 4X, Type 12
- Conforms to NEMA Standards for Type 3, Type 3R, Type 4, Type 4X, Type 12

Finish

- Cover and sides of body have a smooth #4 brushed finish

Accessories

- Panels
- Swing-out panel kits
- JIC terminal kits
- Window kits
- Locks and latches

Construction

- Enclosure and cover are fabricated from (16) gauge stainless steel
- All continuous welded seams are finished smooth
- Stainless steel continuous hinge and pin
- Slotted quarter-turn flush latch(es)
- Cover has a seamless poured in-place gasket
- Ground stud provided on cover
- #10-32 weld nuts are provided for mounting optional panel
- External mounting feet

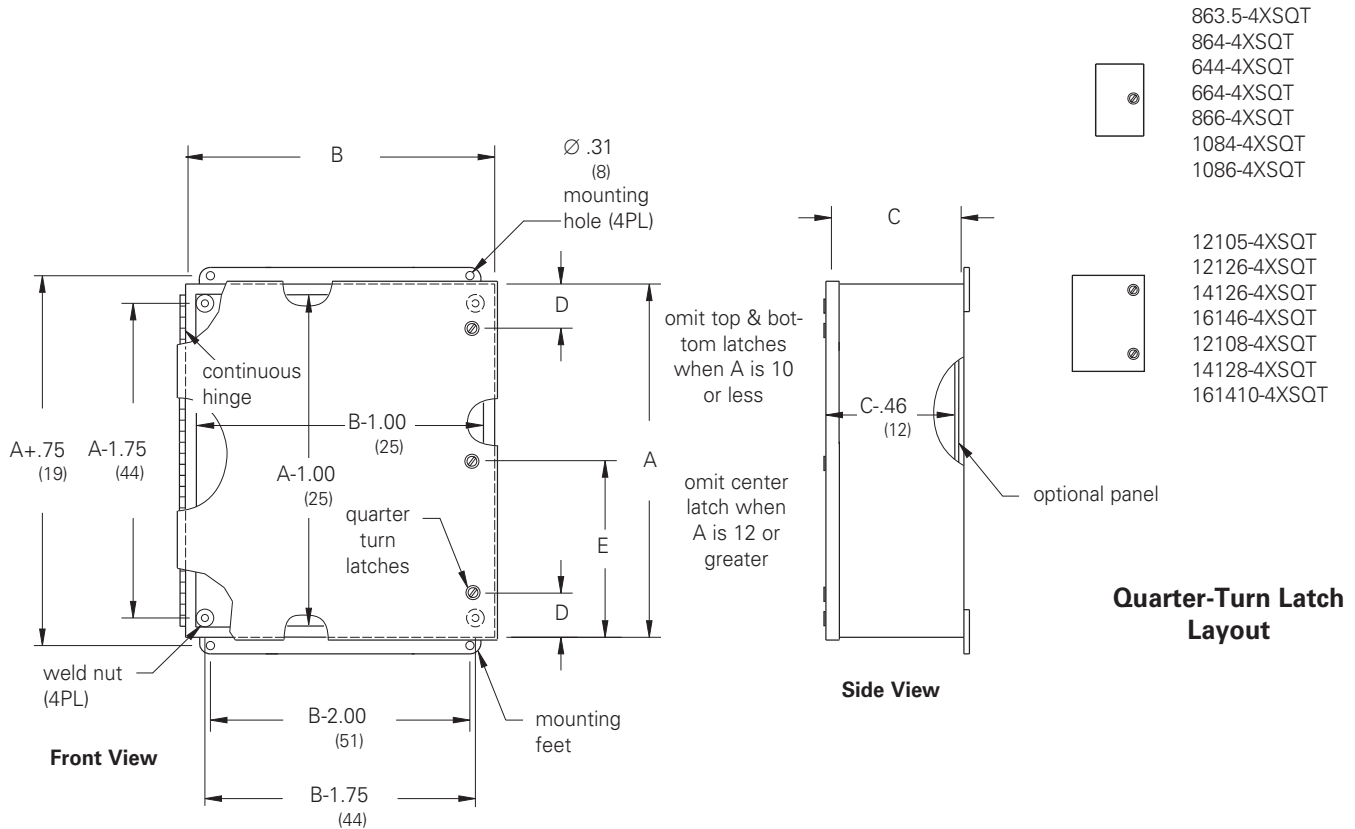
Discount Schedule: C2

Subclass: DDO

Notes: We can provide special sizes, finishes and other modifications. Consult the factory for your special requirements.

JIC Enclosures Type 4X Continuous Hinge Cover with Quarter-Turn Latches Illustration Sheet and Catalog Number

Enclosure Catalog Number	Enclosure Size Height x Width x Depth A x B x C		D		E		Panel Catalog Number		Panel Size Height x Width	
	in.	mm	in.	mm	in.	mm	Steel	Conductive	in.	mm
644-4XSQT	6.00 x 4.00 x 4.00	152 x 102 x 102	-	-	3.00	76	AW64P	AW64GP	4.87 x 2.87	124 x 73
664-4XSQT	6.00 x 6.00 x 4.00	152 x 152 x 102	-	-	3.00	76	AW66P	AW66GP	4.87 x 4.87	124 x 124
863.5-4XSQT	8.00 x 6.00 x 3.50	203 x 152 x 89	-	-	4.00	101	AW86P	AW86GP	6.87 x 4.87	174 x 124
864-4XSQT	8.00 x 6.00 x 4.00	203 x 152 x 102	-	-	4.00	101	AW86P	AW86GP	6.87 x 4.87	174 x 124
1084-4XSQT	10.00 x 8.00 x 4.00	254 x 203 x 102	-	-	5.00	127	AW108P	AW108GP	8.87 x 6.87	225 x 174
12105-4XSQT	12.00 x 10.00 x 5.00	305 x 254 x zzz	3.00	76	-	-	AW1210P	AW1210GP	10.87 x 8.87	276 x 225
866-4XSQT	8.00 x 6.00 x 6.00	203 x 152 x 152	-	-	4.00	101	AW86P	AW86GP	6.87 x 4.87	174 x 124
1086-4XSQT	10.00 x 8.00 x 6.00	254 x 203 x 152	-	-	5.00	127	AW108P	AW108GP	8.87 x 6.87	225 x 174
12126-4XSQT	12.00 x 12.00 x 6.00	305 x 305 x 152	3.00	76	-	-	AW1212P	AW1212GP	10.87 x 10.87	276 x 276
14126-4XSQT	14.00 x 12.00 x 6.00	355 x 305 x 152	3.00	76	-	-	AW1412P	AW1412GP	12.87 x 10.87	327 x 276
16146-4XSQT	16.00 x 14.00 x 6.00	406 x 355 x 152	3.00	76	-	-	AW1614P	AW1614GP	14.87 x 12.87	377 x 327
12108-4XSQT	12.00 x 10.00 x 8.00	305 x 254 x 203	3.00	76	-	-	AW1210P	AW1210GP	10.87 x 8.87	276 x 225
14128-4XSQT	14.00 x 12.00 x 8.00	355 x 305 x 203	3.00	76	-	-	AW1412P	AW1412GP	12.87 x 10.87	327 x 276
161410-4XSQT	16.00 x 14.00 x 10.00	406 x 355 x 254	3.00	76	-	-	AW1614P	AW1614GP	14.87 x 12.87	377 x 327



Notes: Dimensions are in inches. Millimeters shown are for reference only. Data subject to change without notice.