

HVE-1590 for Installation of Elbow (15 kV)

FEATURES

- Pressure rated to 15 psi at 90°C.
- Rated to the applicable requirements of ANSI-386.

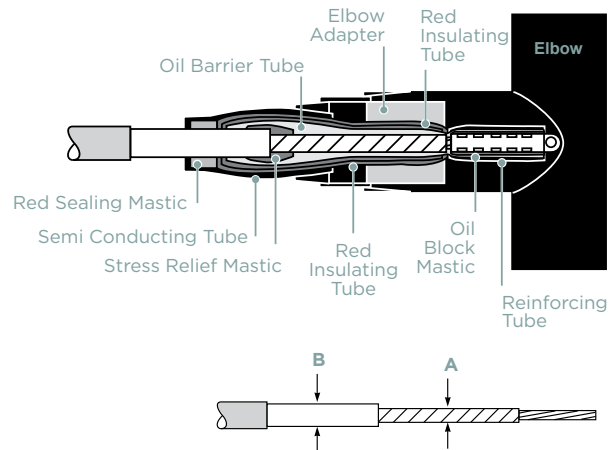
APPLICATIONS

- TE's Raychem HVE-1590 converts PILC cable to allow installation of dead-break elbows.
- For use on 1/C PILC/VCLC cable.

BENEFITS

- Provide a highly effective and easily installed oil stop system, using standard heat shrinkable components. The system provides an oil- and pressure-resistant seal.
- Oil barrier tubing locks the oil in the PILC cables, converting each conductor into the polymeric equivalent.

HVE-1590



PRODUCT SELECTION INFORMATION: DIMENSIONS IN INCHES (MM)

Catalog Number	1/C 15 kV* PILC Conductor Size (Nominal)	Insulation O.D.		Lead Sheath O.D. (Max.) B	Adapter Type Elastimold
		(Min.) A	(Max.) B		
HVE-1591	#2 AWG-2/0	0.65 (16)	0.75 (19)	0.95 (24)	ELB-15/28-600-CA-F
HVE-1592	3/0-250 kcmil	0.75 (19)	0.95 (24)	1.10 (28)	ELB-15/28-600-CA-G
HVE-1593	300-500 kcmil	0.95 (24)	1.22 (31)	1.35 (34)	ELB-15/28-600-CA-H
HVE-1594	600-750** kcmil	1.22 (31)	1.35 (34)	1.50 (38)	ELB-15/28-600-CA-L

ADDITIONAL PRODUCT INFORMATION

- Select the appropriate catalog number. All selections are based on the typical dimensions of 100% insulated cables manufactured in accordance with AEIC standard. Nominal insulation thickness (100%): 15 kV: 165 mils (PILC/VCLC).
- For cables manufactured to other specifications, confirm selection with cable dimensions.
- Standard package: One kit/box
- Related test reports: 15 kV: EDR-5269.