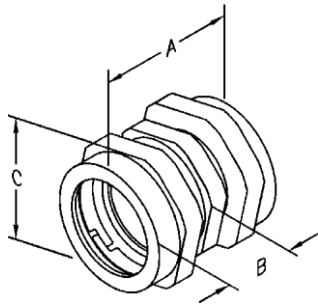


Rigid IMC



Rigid Compression Couplings for Threadless Rigid Conduit & IMC Malleable Iron

Features

- Concrete tight

Standard Finish

- Malleable Iron / Ductile Iron
- Zinc plated

Applicable Third Party Standards

- UL Standard: 514B
- Fed. Spec. A-A-50553
- NEMA: FB-1
- UL Listed File # E207875

Catalog Number	Trade Size (in)	Dim A (in)	Dim B (in)	Dim C (in)	Inner Pack	Master Pack	Weight Per C (LB)
RCK50KON	1/2	1.813	0.500	1.500	25	125	30.0
RCK75KON	3/4	1.875	0.500	1.625	20	100	32.0
RCK100KON	1	2.188	0.563	2.000	10	50	43.7
RCK125KON	1 1/4	2.625	0.750	2.375	5	25	77.6
RCK150KON	1 1/2	2.688	0.688	2.625	5	25	93.3
RCK200KON	2	3.063	0.938	3.313	2	10	159.2
RCK250KON	2 1/2	4.500	2.000	3.750	2	10	276.5
RCK300KON	3	4.938	2.250	4.250	1	5	393.3
RCK350KON	3 1/2	5.000	2.250	4.750	1	5	546.7
RCK400KON	4	5.313	2.438	5.313	1	5	626.1

Rigid IMC

Rigid Compression Connectors for Threadless Rigid Conduit & IMC

Features

- Concrete tight male hub threads
- NPSM thread 1/2" thru 2"
- NPT thread above 2"

Standard Materials

- Malleable Iron/Ductile Iron
- Steel locknut
- Insulator: Nylon

Standard Finish

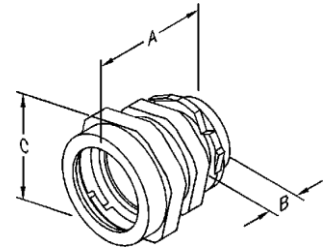
- Zinc plated

Applicable Third Party Standards

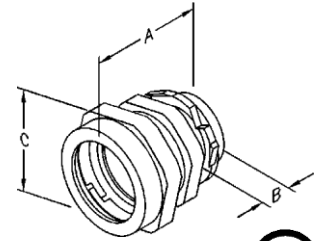
- UL Standard: 514B
- Fed. Spec. A-A-50553
- NEMA: FB-1
- UL Listed File # E207875



Non-Insulated



Insulated



Catalog Number	Trade Size (in)	Dim A (in)	Dim B (in)	Dim C (in)	Inner Pack	Master Pack	Weight Per C (lb)
Non-Insulated							
RCC50KON	1/2	1.500	0.500	1.500	50	250	23.9
RCC75KON	3/4	1.500	0.500	1.625	25	125	25.2
RCC100KON	1	1.690	0.560	2.000	10	50	38.7
RCC125KON	1 1/4	2.000	0.690	2.375	10	50	58.9
RCC150KON	1 1/2	2.060	0.690	2.625	5	25	71.6
RCC200KON	2	2.250	0.880	3.313	5	25	118.5
RCC250KON	2 1/2	2.940	1.250	3.750	2	10	308.5
RCC300KON	3	3.130	1.380	4.250	1	5	331.2
RCC350KON	3 1/2	3.130	1.380	4.750	1	5	342.8
RCC400KON	4	3.130	1.500	5.313	1	5	469.2
Insulated							
RCC50-ICKON	1/2	1.563	0.560	1.500	50	250	23.8
RCC75-ICKON	3/4	1.563	0.560	1.625	25	125	26.2
RCC100-ICKON	1	1.750	0.625	2.000	10	50	39.5
RCC125-ICKON	1 1/4	2.000	0.690	2.375	10	50	56.8
RCC150-ICKON	1 1/2	2.125	0.750	2.625	5	25	73.6
RCC200-ICKON	2	2.313	0.880	3.313	5	25	119.7
RCC250-ICKON	2 1/2	3.000	1.325	3.750	2	10	287.5
RCC300-ICKON	3	3.125	1.4375	4.250	1	5	328.0
RCC350-ICKON	3 1/2	3.188	1.500	4.750	1	5	346.2
RCC400-ICKON	4	3.438	1.563	5.313	1	5	484.0