

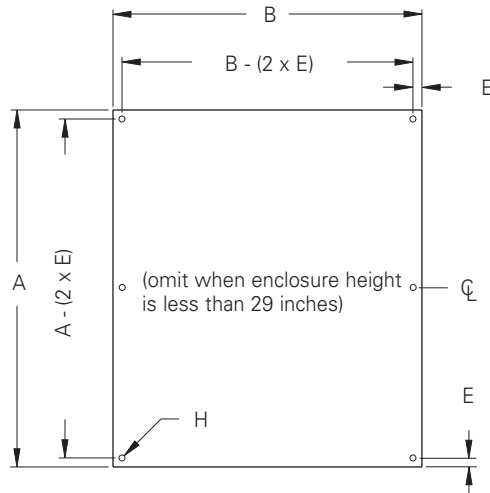
# Type 4X Non-Metallic Enclosures

## Non-Metallic Accessories Illustration Sheet and Catalog Number

Discount Schedule: F2

Subclass: DSA, DSB

### Back Panels



### Flat Panel for Non-Metallic Enclosures

Painted Steel	Stainless	Aluminum	Polycarbonate Swing Panel Kit	A		B		E		Hole Dia.		Gauge	Fits Enclosure (Nominal) Height x Width	
				in.	mm	in.	mm	in.	mm	in.	mm		in.	mm
AW64P	AW64SP	AW64AP		4.87	124	2.87	73	0.31	8	0.25	6	14	6.00 x 4.00	152 x 102
AW66P	AW66SP	AW66AP	66PCSP	4.87	124	4.87	124	0.31	8	0.25	6	14	6.00 x 6.00	152 x 152
AW76P	AW76SP	AW76AP		6.00	152	4.87	124	0.31	8	0.25	6	14	7.00 x 6.00	178 x 152
AW86P	AW86SP	AW86AP	86PCSP	6.87	174	4.87	124	0.31	8	0.25	6	14	8.00 x 6.00	203 x 152
AW88P	AW88SP	AW88AP	88PCSP	6.87	174	6.87	174	0.31	8	0.25	6	14	8.00 x 8.00	203 x 203
AW96P	AW96SP	AW96AP		8.25	209	4.87	124	0.31	8	0.25	6	14	9.00 x 6.00	228 x 152
AW108P	AW108SP	AW108AP	108PCSP	8.87	225	6.87	174	0.31	8	0.25	6	14	10.00 x 8.00	254 x 203
AW1010P	AW1010SP	AW1010AP	1010PCSP	8.87	225	8.87	225	0.31	8	0.25	6	14	10.00 x 10.00	254 x 254
AW1210P	AW1210SP	AW1210AP	1210PCSP	10.87	276	8.87	225	0.31	8	0.25	6	14	12.00 x 10.00	305 x 254
AW1212P	AW1212SP	AW1212AP		10.87	276	10.87	276	0.31	8	0.25	6	14	12.00 x 12.00	305 x 305
AW147P	AW147SP	AW147AP		12.87	327	5.87	149	0.31	8	0.25	6	14	14.00 x 7.00	356 x 178
AW1412P	AW1412SP	AW1412AP	1412PCSP	12.87	327	10.87	276	0.31	8	0.25	6	14	14.00 x 12.00	356 x 305
AW1614P	AW1614SP	AW1614AP	1614PCSP	14.87	378	12.87	327	0.31	8	0.25	6	14	16.00 x 14.00	406 x 356
AW1816P	AW1816SP	AW1816AP	1816PCSP	16.88	429	14.88	378	0.31	8	0.25	6	14	18.00 x 16.00	457 x 406
AW2016PJ	AW2016SPJ	AW2016APJ		18.88	479	14.88	378	0.31	8	0.25	6	14	20.00 x 16.00	508 x 406
AWF2424PJ	AWF2424SPJ	AWF2424APJ		22.88	581	22.88	581	0.31	8	0.25	6	14	24.00 x 24.00	610 x 610
AW2016P	AW2016SP	AW2016AP	2016PCSP	17.00	432	13.00	330	0.88	22	0.56	14	12	20.00 x 16.00	508 x 406
AW2412P	AW2412SP	AW2412AP		21.00	533	9.00	229	0.88	22	0.56	14	12	24.00 x 12.00	610 x 305
AWF2420P	AWF2420SP	AWF2420AP		21.00	533	17.00	432	0.88	22	0.56	14	12	24.00 x 20.00	610 x 508
AWF2424P	AWF2424SP	AWF2424AP		21.00	533	21.00	533	0.88	22	0.56	14	12	24.00 x 24.00	610 x 610
AWF3020P	AWF3020SP	AWF3020AP		27.00	686	17.00	432	0.88	22	0.56	14	12	30.00 x 20.00	762 x 508
AWF3024P	AWF3024SP	AWF3024AP		27.00	686	21.00	533	0.88	22	0.56	14	12	30.00 x 24.00	762 x 610
AWF3622P	AWF3622SP	AWF3622AP		31.00	787	22.00	559	1.00	25	0.56	14	12	36.00 x 48.00	914 x 1219
AWF3630P	AWF3630SP	AWF3630AP		33.00	838	27.00	686	0.88	22	0.56	14	12	36.00 x 30.00	914 x 762

Notes: Dimensions are in inches. Millimeters shown are for reference only. Data subject to change without notice.

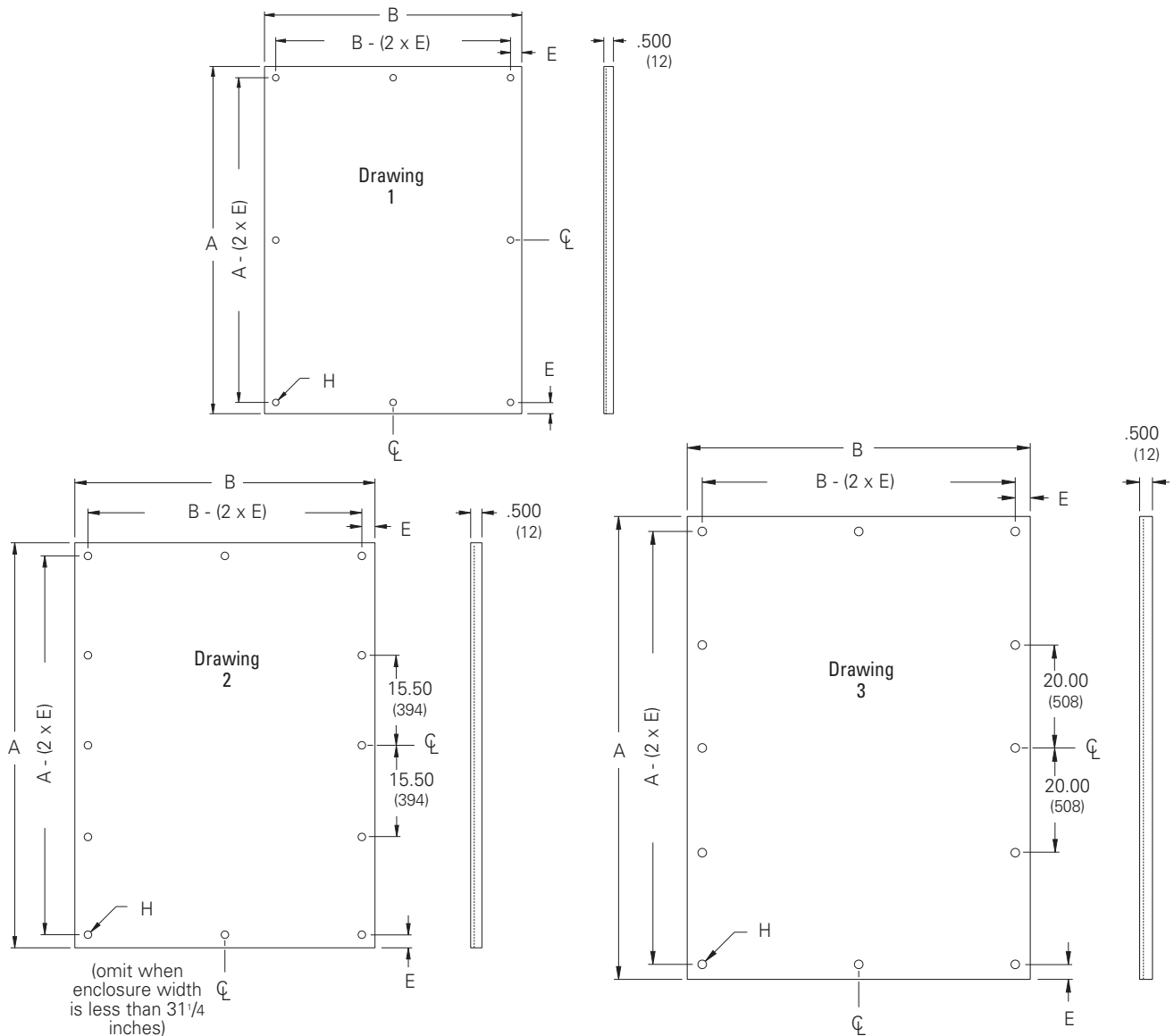
## Non-Metallic Accessories Illustration Sheet and Catalog Number

Discount Schedule: F2

Subclass: DSB

## Back Panels

Flanged Panel for Non-Metallic Enclosures			A		B		E		Hole Dia.		Gauge	Fits Enclosure (Nominal) Height x Width		See Drawing
Painted Steel	Stainless	Aluminum	in.	mm	in.	mm	in.	mm	in.	mm		in.	mm	
AWF4836P	AWF4836SP	AWF4836AP	45.00	1143	33.00	838	0.88	22	0.56	14	12	48.00 x 36.00	1219 x 914	1
AWF6036P	AWF6036SP	AWF6036AP	57.00	1448	33.00	838	0.88	22	0.56	14	12	60.00 x 36.00	1524 x 914	
AWF7221P	AWF7221SP	AWF7221AP	64.00	1625	21.50	546	1.00	25	0.56	14	12	72.00 x 48.00	1829 x 1219	
AWF7224P	AWF7224SP	AWF7224AP	64.00	1625	20.00	508	1.00	25	0.56	14	12	72.00 x 24.00	1829 x 609	2
AWF7233P	AWF7233SP	AWF7233AP	64.00	1625	33.50	851	1.00	25	0.56	14	12	72.00 x 72.00	1829 x 1829	
AWF7236P	AWF7236SP	AWF7236AP	64.00	1625	32.00	813	1.00	25	0.56	14	12	72.00 x 36.00	1829 x 914	
--	--	--	64.00	1625	21.50	546	1.00	25	0.56	14	12	72.00 x 48.00	1829 x 1219	
--	--	--	64.00	1625	33.50	851	1.00	25	0.56	14	12	72.00 x 72.00	1829 x 1329	
AWF9036P	AWF9036SP	AWF9036AP	82.00	2083	32.00	813	1.00	25	0.56	14	12	90.00 x 36.00	2286 x 914	3



**Notes:** Dimensions are in inches. Millimeters shown are for reference only. Data subject to change without notice.

# Type 4X Non-Metallic Enclosures

## Non-Metallic Accessories Illustration Sheet and Catalog Number

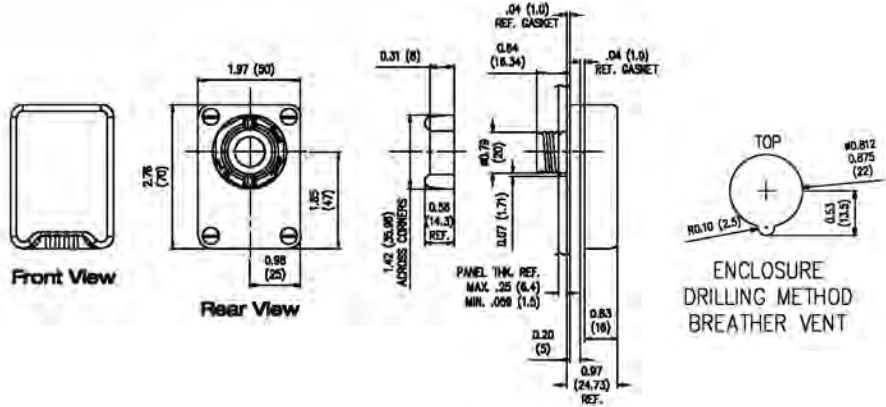
Discount Schedule: F2

Subclass: G00

### Breather Vent

Enclosure Catalog #

BV4X

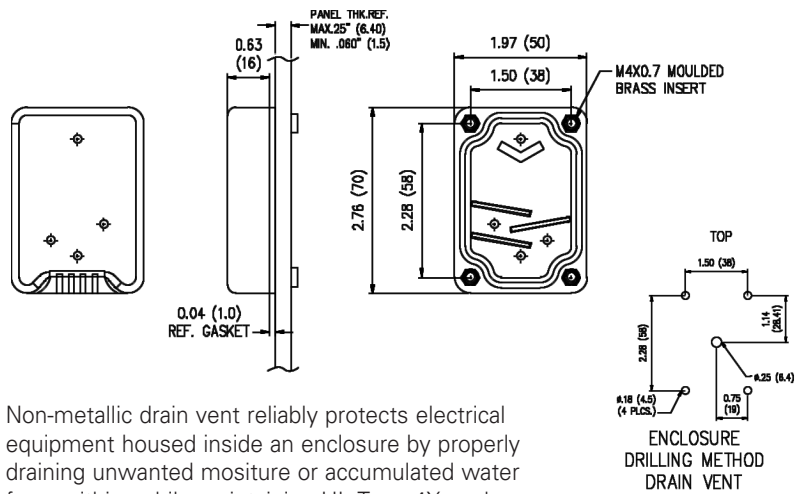
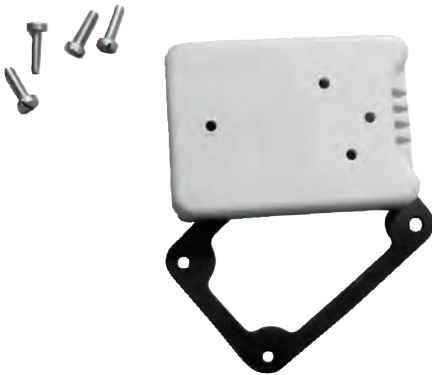


Non-metallic breather vent allows an enclosure to breathe, allowing the free passage of air while maintaining UL Type 4X enclosure integrity as a recognized component.

### Drain Vent

Enclosure Catalog #

DV4X



Non-metallic drain vent reliably protects electrical equipment housed inside an enclosure by properly draining unwanted moisture or accumulated water from within, while maintaining UL Type 4X enclosure integrity as a recognized component.

### Drain & Vent

Enclosure Catalog #

DV



### Vapor Capsule

Enclosure Catalog #

BLVC



Vapor capsules contain a unique phase inhibitor designed to protect metallic surfaces within an enclosure against airborne corrosion. Simply place these self-contained capsules inside an enclosure, the vapors readily permeate every point, passivating all metallic surfaces. When the capsule is removed from its sealed package, it begins to emit an invisible, no-toxic vapor which is diffused throughout the surrounding atmosphere until the air is saturated. The vapor then passivates the metal surface against atmospheric corrosion by reducing the electrochemical activity of the metal surfaces.

Notes: Dimensions are in inches. Millimeters shown are for reference only. Data subject to change without notice.

## Non-Metallic Accessories Illustration Sheet and Catalog Number

Discount Schedule: F2

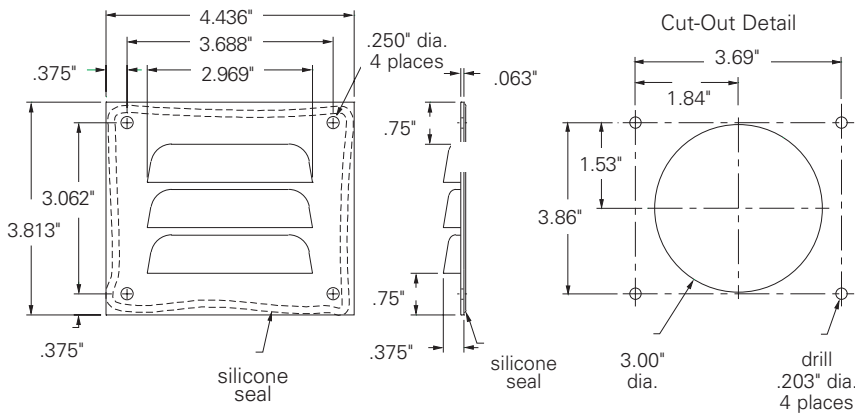
Subclass: G00

Enclosure Catalog #	Application	Max. Hole		Hole Seal	
		in.	mm	in.	mm
SPBGFG	Minature oil-tight bushbutton holes	0.88	22	1.22	31
SPBFG	Standard oil-tight bushbutton holes	1.25	32	1.75	44
S050FG	1/2" conduit holes	0.88	22	1.38	35
S075FG	3/4" conduit holes	1.06	27	1.56	40
S100FG	1" conduit holes	1.38	35	1.88	48
S125FG	1 1/4" conduit holes	1.69	43	2.19	56
S150FG	1 1/2" conduit holes	2.00	51	2.50	64
S200FG	2" conduit holes	2.50	64	3.00	76
S250FG	2 1/2" conduit holes	3.00	76	3.50	89
S300FG	3" conduit holes	3.62	92	4.12	105
S350FG	3 1/2" conduit holes	4.12	105	4.62	117
S400FG	4" conduit holes	4.62	117	5.12	130



### Oil-Tight Hole Seals

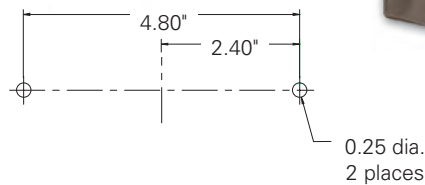
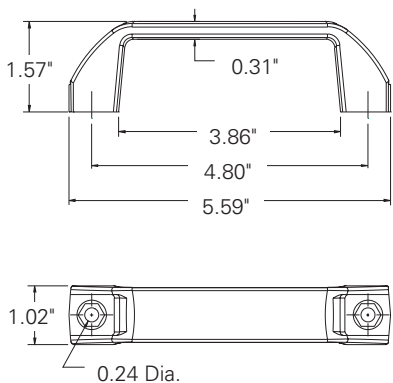
Helps protect knockout openings and extra pushbutton or conduit openings from dirt, oil, dust and water. Each hole seal has oil-resistant gasketing and lock nut.



### Louver Plate Vent

Enclosure Catalog #

LPKF



### Carrying Handle

Enclosure Catalog #

CARRY HANDLE



**Notes:** Dimensions are in inches. Millimeters shown are for reference only. Data subject to change without notice.

# Type 4X Non-Metallic Enclosures

## Non-Metallic Accessories

Illustration Sheet and Catalog Number

Discount Schedule: F2

Subclass: G00

### Encapsulated Screws

Enclosure Catalog #

ENCAP2K

ENCAP4K



### Stainless Steel Screws

Enclosure Catalog # Description

SS2PK

Set of 2

SS4PK

Set of 4



### Polycarbonate Accessories Swing Panel Mounts & Slot Nut Kit

Catalog #	Description	Pieces included
SPMKPC	Swing panel mounts	Four per kit
SNKPC	Slot nut kit	Two nuts & two screws



### Mounting Feet

Enclosure Catalog #

MTGFTKITS



**Notes:** Dimensions are in inches. Millimeters shown are for reference only. Data subject to change without notice.