

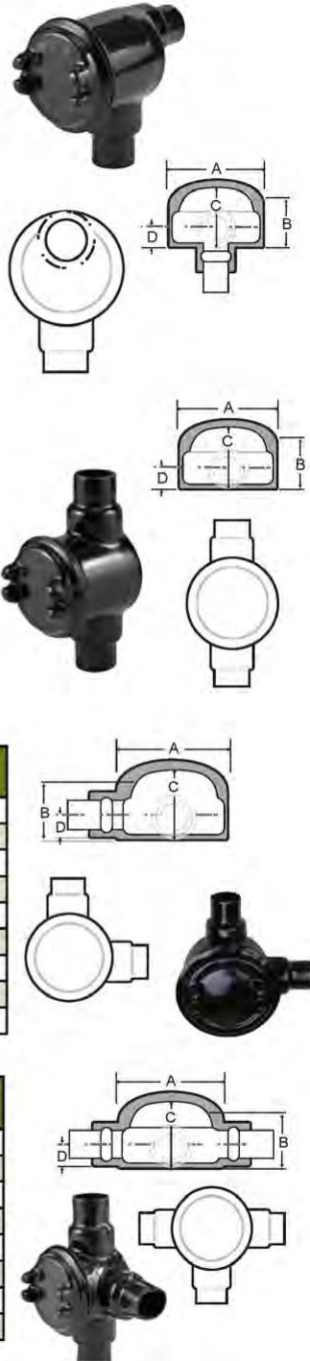
PVC COATED GUA JUNCTION BOXES FOR HAZARDOUS LOCATIONS

GUA		NEC/CEC - Class I, Division 1 & 2, Groups A, B, C, D, Class III						
Item Number	Trade Size	Cover Opening	Weight Per 100 (lbs)	A	B	C	D	Aluminum Item Number
PV0500GUAB14	1/2"	2"	200	2.58	2.29	2.38	0.67	
PV0500GUAB16	1/2"	3"	320	3.58	2.04	1.88	0.67	PA0500GUAB16SA
PV0700GUAB24	3/4"	2"	220	2.58	2.54	2.44	0.79	
PV0700GUAB26	3/4"	3"	330	2.58	2.04	1.88	0.79	PA0700GUAB26SA
PV1000GUAB36	1"	3"	380	3.58	2.35	2.19	0.92	PA1000GUAB36SA
PV1200GUAB47	1-1/4"	3-5/8"	500	4.33	2.73	2.75	1.13	PA1200GUAB47SA
PV1500GUAB59	1-1/2"	5"	810	5.83	3.85	3.75	1.32	PA1500GUAB59SA
PV2000GUAB69	2"	5"	910	5.83	4.10	4.00	1.60	PA2000GUAB69SA

GUAC		NEC/CEC - Class I, Division 1 & 2, Groups A, B, C, D, Class III						
Item Number	Trade Size	Cover Opening	Weight Per 100 (lbs)	A	B	C	D	Aluminum
PV0500GUAC14	1/2"	2"	350	2.58	2.29	2.19	0.67	
PV0500GUAC16	1/2"	3"	200	3.58	2.04	1.88	0.67	PA0500GUAC16SA
PV0700GUAC24	3/4"	2"	350	2.58	2.04	2.00	0.79	
PV0700GUAC26	3/4"	3"	200	3.58	2.04	1.88	0.79	PA0700GUAC26SA
PV1000GUAC36	1"	3"	390	3.58	2.35	2.19	0.92	PA1000GUAC36SA
PV1200GUAC47	1-1/4"	3-5/8"	520	4.33	2.73	2.75	1.13	PA1200GUAC47SA
PV1200GUAC49	1-1/4"	5"	950	5.83	3.85	3.75	1.20	
PV1500GUAC59	1-1/2"	5"	1100	5.83	3.85	3.75	1.32	PA1500GUAC59SA
PV2000GUAC69	2"	5"	1100	5.83	4.10	4.00	1.60	PA2000GUAC69SA

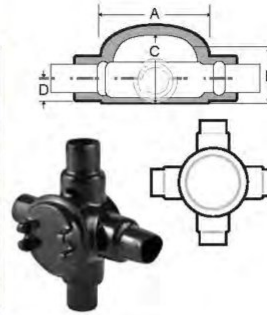
GUAL		NEC/CEC - Class I, Division 1 & 2, Groups A, B, C, D, Class III						
Item Number	Trade Size	Cover Opening	Weight Per 100 (lbs)	A	B	C	D	Aluminum Item Number
PV0500GUAL14	1/2"	2"	200	2.58	2.29	2.19	0.67	
PV0500GUAL16	1/2"	3"	210	3.58	2.04	1.88	0.67	PA0500GUAL16SA
PV0700GUAL24	3/4"	2"	320	2.58	2.54	2.44	0.79	
PV0700GUAL26	3/4"	3"	250	3.58	2.04	1.88	0.79	PA0700GUAL26SA
PV1000GUAL36	1"	3"	370	3.58	2.35	2.19	0.92	PA1000GUAL36SA
PV1200GUAL47	1-1/4"	3-5/8"	520	4.33	2.73	2.75	1.13	PA1200GUAL47SA
PV1200GUAL49	1-1/4"	5"	850	5.83	3.85	3.75	1.20	
PV1500GUAL59	1-1/2"	5"	1120	5.83	3.85	3.75	1.32	PA1500GUAL59SA
PV2000GUAL69	2"	5"	1250	5.83	4.10	4.00	1.60	PA2000GUAL69SA

GUAT		NEC/CEC - Class I, Division 1 & 2, Groups A, B, C, D, Class III						
Item Number	Trade Size	Cover Opening	Weight Per 100 (lbs)	A	B	C	D	Aluminum Item Number
PV0500GUAT14	1/2"	2"	200	2.58	2.29	2.19	0.67	
PV0500GUAT16	1/2"	3"	280	3.58	2.04	1.88	0.67	PA0500GUAT16SA
PV0700GUAT24	3/4"	2"	220	2.58	2.04	2.00	0.79	
PV0700GUAT26	3/4"	3"	350	3.58	2.04	1.88	0.79	PA0700GUAT26SA
PV1000GUAT36	1"	3"	320	3.58	2.35	2.19	0.92	PA1000GUAT36SA
PV1200GUAT47	1-1/4"	3-5/8"	570	4.33	2.73	2.75	1.13	PA1200GUAT47SA
PV1500GUAT59	1-1/2"	5"	910	5.83	3.85	3.75	1.32	PA1500GUAT59SA
PV2000GUAT69	2"	5"	1000	5.83	4.10	4.00	1.60	PA2000GUAT69SA

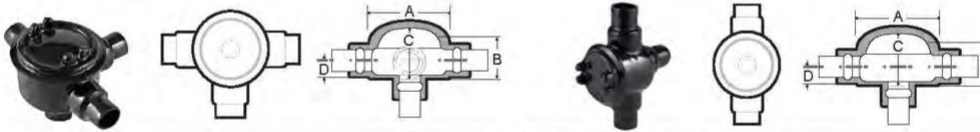


PVC COATED GUA JUNCTION BOXES FOR HAZARDOUS LOCATIONS

GUAX		NEC/CEC - Class I, Division 1 & 2, Groups A, B, C, D, Class III						Aluminum Item Number
Item Number	Trade Size	Cover Opening	Weight Per 100 (lbs)	A	B	C	D	
PV0500GUAX14	1/2"	2"	200	2.58	1.85	1.75	0.67	
PV0500GUAX16	1/2"	3"	380	3.58	2.04	1.88	0.67	PA0500GUAX16SA
PV0700GUAX24	3/4"	2"	250	2.58	2.04	2.00	0.79	
PV0700GUAX26	3/4"	3"	280	3.58	2.04	1.88	0.79	PA0700GUAX26SA
PV1000GUAX36	1"	3"	420	3.58	2.35	2.19	0.92	PA1000GUAX36SA
PV1200GUAX47	1-1/4"	3-5/8"	480	4.33	2.73	2.75	1.13	PA1200GUAX47SA
PV1500GUAX59	1-1/2"	5"	1170	5.83	3.85	3.75	1.32	PA1500GUAX59SA
PV2000GUAX69	2"	5"	1250	5.83	4.10	4.00	1.60	PA2000GUAX69SA



GUAN		NEC/CEC - Class I, Division 1 & 2, Groups A, B, C, D, Class III					
Item Number	Trade Size	Cover Opening	Weight Per 100 (lbs)	A	B	C	D
PV0500GUAN14	1/2"	2"	200	2.58	2.17	2.06	0.67
PV0500GUAN16	1/2"	3"	380	3.58	2.04	1.88	0.79
PV0700GUAN24	3/4"	2"	250	2.58	2.35	2.25	0.79
PV0700GUAN26	3/4"	3"	350	2.58	2.04	1.88	0.79
PV1000GUAN36	1"	3"	300	3.58	2.35	2.38	0.92
PV1200GUAN47	1-1/4"	3-5/8"	520	4.33	2.73	2.75	1.13
PV1500GUAN59	1-1/2"	5"	950	5.83	4.10	4.00	1.32
PV2000GUAN69	2"	5"	1200	5.83	4.10	4.00	1.60



GUAW		NEC/CEC - Class I, Division 1 & 2, Groups A, B, C, D, Class III					
Item Number	Trade Size	Cover Opening	Weight Per 100 (lbs)	A	B	C	D
PV0500GUAW14	1/2"	2"	200	2.58	1.85	1.75	0.67
PV0500GUAW16	1/2"	3"	200	3.58	2.04	1.88	0.67
PV0700GUAW24	3/4"	2"	300	2.58	2.04	2.00	0.79
PV0700GUAW26	3/4"	3"	300	2.58	2.04	1.88	0.79

GUAD		NEC/CEC - Class I, Division 1 & 2, Groups A, B, C, D, Class III					
Item Number	Trade Size	Cover Opening	Weight Per 100 (lbs)	A	B	C	D
PV0500GUAD14	1/2"	2"	200	2.58	1.85	1.75	0.67
PV0500GUAD16	1/2"	3"	320	3.58	2.04	1.88	0.79
PV0700GUAD24	3/4"	2"	350	2.58	2.04	2.00	0.79
PV0700GUAD26	3/4"	3"	380	2.58	2.04	1.88	0.79
PV1000GUAD36	1"	3"	380	3.58	2.35	2.19	0.92
PV1200GUAD47	1-1/4"	5"	1090	5.83	3.85	3.75	1.13

800.882.5543

19

Allied Tube & Conduit® Catalog

PVC Conduit & Fittings