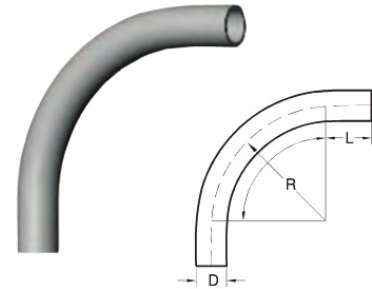


PVC Schedule 40 - Standard Radius Elbows (Plain End)

Listed to UL 651

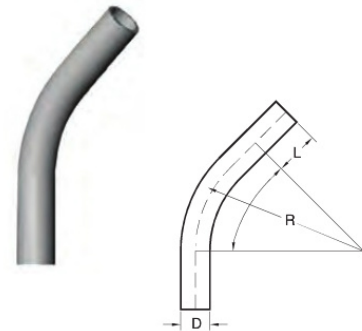
90° Elbows

| Trade Size | Part Number | Average O.D. | Minimum Length (L) I.D. | Radius (R) | Standard Package Quantity |
|------------|-------------|--------------|-------------------------|------------|---------------------------|
| | | (in) | (in) | (in) | |
| 1/2 | 59588 | 0.840 | 1.500 | 4.00 | 50 |
| 3/4 | 59589 | 1.050 | 1.500 | 4.50 | 25 |
| 1 | 59590 | 1.315 | 1.875 | 5.75 | 25 |
| 1 1/4 | 59591 | 1.660 | 2.000 | 7.25 | 25 |
| 1 1/2 | 59592 | 1.900 | 2.000 | 8.25 | 25 |
| 2 | 59593 | 2.375 | 2.000 | 9.50 | 25 |
| 2 1/2 | 59594 | 2.875 | 3.000 | 10.50 | 50 |
| 3 | 59595 | 3.500 | 3.125 | 13.00 | 50 |
| 3 1/2 | 59596 | 4.000 | 3.250 | 15.00 | 25 |
| 4 | 59597 | 4.500 | 3.375 | 16.00 | 25 |
| 5 | 59598 | 5.563 | 3.625 | 24.00 | 20 |
| 6 | 59599 | 6.625 | 3.750 | 30.00 | 16 |



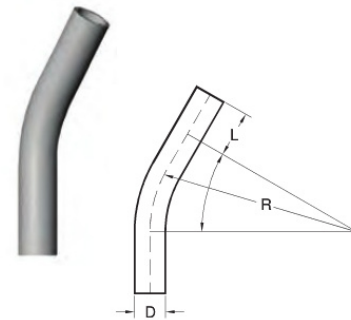
45° Elbows

| Trade Size | Part Number | Average O.D. | Minimum Length (L) I.D. | Radius (R) | Standard Package Quantity |
|------------|-------------|--------------|-------------------------|------------|---------------------------|
| | | (in) | (in) | (in) | |
| 1/2 | 59575 | 0.840 | 1.500 | 4.00 | 50 |
| 3/4 | 59576 | 1.050 | 1.500 | 4.50 | 25 |
| 1 | 59577 | 1.315 | 1.875 | 5.75 | 25 |
| 1 1/4 | 59578 | 1.660 | 2.000 | 7.25 | 25 |
| 1 1/2 | 59579 | 1.900 | 2.000 | 8.25 | 25 |
| 2 | 59580 | 2.375 | 2.000 | 9.50 | 25 |
| 2 1/2 | 59581 | 2.875 | 3.000 | 10.50 | 50 |
| 3 | 59582 | 3.500 | 3.125 | 13.00 | 50 |
| 3 1/2 | 59583 | 4.000 | 3.250 | 15.00 | 25 |
| 4 | 59584 | 4.500 | 3.375 | 16.00 | 25 |
| 5 | 59585 | 5.563 | 3.625 | 24.00 | 20 |
| 6 | 59586 | 6.625 | 3.750 | 30.00 | 16 |



30° Elbows

| Trade Size | Part Number | Average O.D. | Minimum Length (L) I.D. | Radius (R) | Standard Package Quantity |
|------------|-------------|--------------|-------------------------|------------|---------------------------|
| | | (in) | (in) | (in) | |
| 1/2 | 59561 | 0.840 | 1.500 | 4.00 | 50 |
| 3/4 | 59562 | 1.050 | 1.500 | 4.50 | 25 |
| 1 | 59563 | 1.315 | 1.875 | 5.75 | 25 |
| 1 1/4 | 59564 | 1.660 | 2.000 | 7.25 | 25 |
| 1 1/2 | 59565 | 1.900 | 2.000 | 8.25 | 25 |
| 2 | 59566 | 2.375 | 2.000 | 9.50 | 25 |
| 2 1/2 | 59567 | 2.875 | 3.000 | 10.50 | 50 |
| 3 | 59568 | 3.500 | 3.125 | 13.00 | 50 |
| 3 1/2 | 59569 | 4.000 | 3.250 | 15.00 | 25 |
| 4 | 59570 | 4.500 | 3.375 | 16.00 | 25 |
| 5 | 59571 | 5.563 | 3.625 | 24.00 | 20 |
| 6 | 59572 | 6.625 | 3.750 | 30.00 | 16 |



11.25" & 22.5" Standard Radius Elbows are available upon request

Item availability may vary by region.

NOTE: Special orders are non-cancelable, non-returnable and non-refundable.
800.882.5543



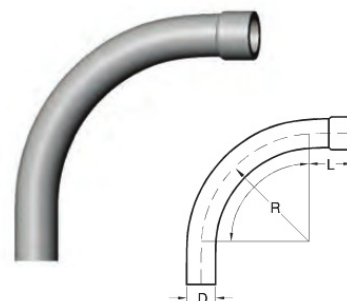
PVC Schedule 40 - Standard Radius Elbows (Belled End)

Listed to UL 651

PVC Conduit & Fittings

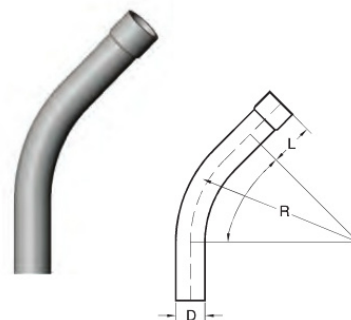
90° Elbows

| Trade Size | Part Number | Average O.D. | Minimum Length (L) I.D. | Radius (R) | Standard Package Quantity |
|------------|-------------|--------------|-------------------------|------------|---------------------------|
| | | (in) | (in) | (in) | |
| 1/2 | 802752 | 0.840 | 1.500 | 4.00 | 50 |
| 3/4 | 802753 | 1.050 | 1.500 | 4.50 | 25 |
| 1 | 802754 | 1.315 | 1.875 | 5.75 | 25 |
| 1 1/4 | 802755 | 1.660 | 2.000 | 7.25 | 25 |
| 1 1/2 | 802756 | 1.900 | 2.000 | 8.25 | 25 |
| 2 | 802757 | 2.375 | 2.000 | 9.50 | 25 |
| 2 1/2 | 802758 | 2.875 | 3.000 | 10.50 | 50 |
| 3 | 802759 | 3.500 | 3.125 | 13.00 | 50 |
| 3 1/2 | 802761 | 4.000 | 3.250 | 15.00 | 25 |
| 4 | 802762 | 4.500 | 3.375 | 16.00 | 25 |
| 5 | 802763 | 5.563 | 3.625 | 24.00 | 20 |
| 6 | 802764 | 6.625 | 3.750 | 30.00 | 16 |



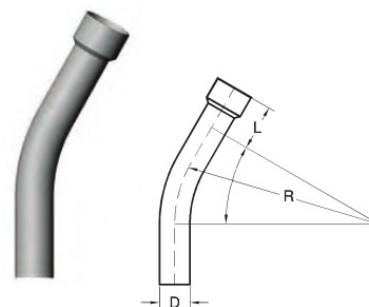
45° Elbows

| Trade Size | Part Number | Average O.D. | Minimum Length (L) I.D. | Radius (R) | Standard Package Quantity |
|------------|-------------|--------------|-------------------------|------------|---------------------------|
| | | (in) | (in) | (in) | |
| 1/2 | 802765 | 0.840 | 1.500 | 4.00 | 50 |
| 3/4 | 802767 | 1.050 | 1.500 | 4.50 | 25 |
| 1 | 802768 | 1.315 | 1.875 | 5.75 | 25 |
| 1 1/4 | 802769 | 1.660 | 2.000 | 7.25 | 25 |
| 1 1/2 | 802770 | 1.900 | 2.000 | 8.25 | 25 |
| 2 | 802771 | 2.375 | 2.000 | 9.50 | 25 |
| 2 1/2 | 802772 | 2.875 | 3.000 | 10.50 | 50 |
| 3 | 802773 | 3.500 | 3.125 | 13.00 | 50 |
| 3 1/2 | 802774 | 4.000 | 3.250 | 15.00 | 25 |
| 4 | 802775 | 4.500 | 3.375 | 16.00 | 25 |
| 5 | 802776 | 5.563 | 3.625 | 24.00 | 20 |
| 6 | 802777 | 6.625 | 3.750 | 30.00 | 16 |



30° Elbows

| Trade Size | Part Number | Average O.D. | Minimum Length (L) I.D. | Radius (R) | Standard Package Quantity |
|------------|-------------|--------------|-------------------------|------------|---------------------------|
| | | (in) | (in) | (in) | |
| 1/2 | 802778 | 0.840 | 1.500 | 4.00 | 50 |
| 3/4 | 802779 | 1.050 | 1.500 | 4.50 | 25 |
| 1 | 802780 | 1.315 | 1.875 | 5.75 | 25 |
| 1 1/4 | 802781 | 1.660 | 2.000 | 7.25 | 25 |
| 1 1/2 | 802782 | 1.900 | 2.000 | 8.25 | 25 |
| 2 | 802783 | 2.375 | 2.000 | 9.50 | 25 |
| 2 1/2 | 802784 | 2.875 | 3.000 | 10.50 | 50 |
| 3 | 802785 | 3.500 | 3.125 | 13.00 | 50 |
| 3 1/2 | 802786 | 4.000 | 3.250 | 15.00 | 25 |
| 4 | 802787 | 4.500 | 3.375 | 16.00 | 25 |
| 5 | 802788 | 5.563 | 3.625 | 24.00 | 20 |
| 6 | 802789 | 6.625 | 3.750 | 30.00 | 16 |



11.25° & 22.5° Standard Radius Elbows are available upon request



Item availability may vary by region.

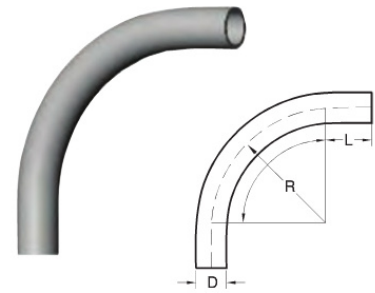
NOTE: Special orders are non-cancelable, non-returnable and non-refundable.
alliedeg.com

PVC Schedule 80 - Standard Radius Elbows (Plain End)

Listed to UL 651

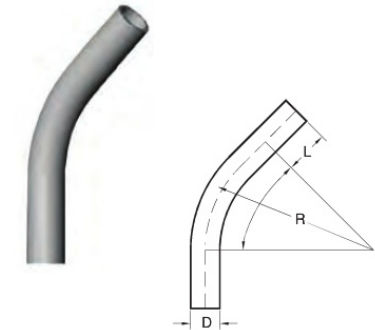
90° Elbows

| Trade Size | Part Number | Average O.D. | Minimum Length (L) I.D. | Radius (R) | Standard Package Quantity |
|------------|-------------|--------------|-------------------------|------------|---------------------------|
| | | (in) | (in) | (in) | |
| 1/2 | 59012 | 0.840 | 1.500 | 4.00 | 50 |
| 3/4 | 59013 | 1.050 | 1.500 | 4.50 | 25 |
| 1 | 59014 | 1.315 | 1.875 | 5.75 | 25 |
| 1 1/4 | 59015 | 1.660 | 2.000 | 7.25 | 25 |
| 1 1/2 | 59016 | 1.900 | 2.000 | 8.25 | 25 |
| 2 | 59017 | 2.375 | 2.000 | 9.50 | 25 |
| 2 1/2 | 59018 | 2.875 | 3.000 | 10.50 | 50 |
| 3 | 59019 | 3.500 | 3.125 | 13.00 | 50 |
| 3 1/2 | 59020 | 4.000 | 3.250 | 15.00 | 25 |
| 4 | 59021 | 4.500 | 3.375 | 16.00 | 25 |
| 5 | 59022 | 5.563 | 3.625 | 24.00 | 20 |
| 6 | 59023 | 6.625 | 3.750 | 30.00 | 16 |



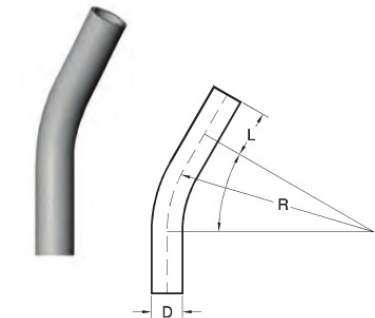
45° Elbows

| Trade Size | Part Number | Average O.D. | Minimum Length (L) I.D. | Radius (R) | Standard Package Quantity |
|------------|-------------|--------------|-------------------------|------------|---------------------------|
| | | (in) | (in) | (in) | |
| 1/2 | 59000 | 0.840 | 1.500 | 4.00 | 50 |
| 3/4 | 59001 | 1.050 | 1.500 | 4.50 | 25 |
| 1 | 59002 | 1.315 | 1.875 | 5.75 | 25 |
| 1 1/4 | 59003 | 1.660 | 2.000 | 7.25 | 25 |
| 1 1/2 | 59004 | 1.900 | 2.000 | 8.25 | 25 |
| 2 | 59005 | 2.375 | 2.000 | 9.50 | 25 |
| 2 1/2 | 59006 | 2.875 | 3.000 | 10.50 | 50 |
| 3 | 59007 | 3.500 | 3.125 | 13.00 | 50 |
| 3 1/2 | 59008 | 4.000 | 3.250 | 15.00 | 25 |
| 4 | 59009 | 4.500 | 3.375 | 16.00 | 25 |
| 5 | 59010 | 5.563 | 3.625 | 24.00 | 20 |
| 6 | 59011 | 6.625 | 3.750 | 30.00 | 16 |



30° Elbows

| Trade Size | Part Number | Average O.D. | Minimum Length (L) I.D. | Radius (R) | Standard Package Quantity |
|------------|-------------|--------------|-------------------------|------------|---------------------------|
| | | (in) | (in) | (in) | |
| 3/4 | 59065 | 1.050 | 1.500 | 4.50 | 25 |
| 1 | 59066 | 1.315 | 1.875 | 5.75 | 25 |
| 1 1/4 | 59067 | 1.660 | 2.000 | 7.25 | 25 |
| 1 1/2 | 59068 | 1.900 | 2.000 | 8.25 | 25 |
| 2 | 59069 | 2.375 | 2.000 | 9.50 | 25 |
| 2 1/2 | 59070 | 2.875 | 3.000 | 10.50 | 50 |
| 3 | 59071 | 3.500 | 3.125 | 13.00 | 50 |
| 4 | 59072 | 4.500 | 3.375 | 16.00 | 25 |
| 5 | 59073 | 5.563 | 3.625 | 24.00 | 20 |
| 6 | 59074 | 6.625 | 3.750 | 30.00 | 16 |



11.25" & 22.5" Standard Radius Elbows are available upon request

Item availability may vary by region.

NOTE: Special orders are non-cancelable, non-returnable and non-refundable.
800.882.5543



PVC Conduit & Fittings

Allied Tube & Conduit® Catalog

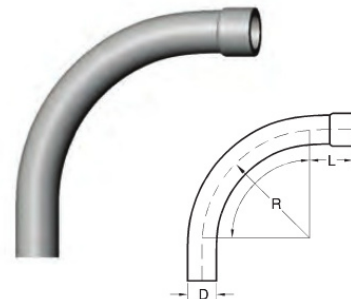
PVC Schedule 80 - Standard Radius Elbows (Belled End)

Listed to UL 651

PVC Conduit & Fittings

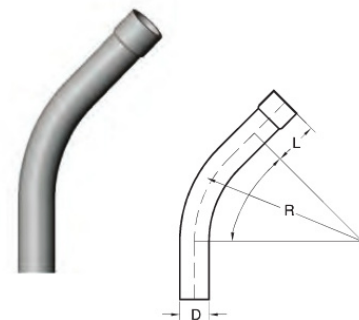
90° Elbows

| Trade Size | Part Number | Average O.D. | Minimum Length (L) I.D. | Radius (R) | Standard Package Quantity |
|------------|-------------|--------------|-------------------------|------------|---------------------------|
| | | (in) | (in) | (in) | |
| ¾ | 925610 | 1.050 | 1.500 | 4.50 | 25 |
| 1 | 924949 | 1.315 | 1.875 | 5.75 | 25 |
| 1¼ | 924954 | 1.660 | 2.000 | 7.25 | 25 |
| 2 | 924970 | 2.375 | 2.000 | 9.50 | 25 |
| 2½ | 924977 | 2.875 | 3.000 | 10.50 | 50 |
| 3 | 924993 | 3.500 | 3.125 | 13.00 | 50 |
| 4 | 925006 | 4.500 | 3.375 | 16.00 | 25 |
| 5 | 925017 | 5.563 | 3.625 | 24.00 | 20 |
| 6 | 925028 | 6.625 | 3.750 | 30.00 | 16 |



45° Elbows

| Trade Size | Part Number | Average O.D. | Minimum Length (L) I.D. | Radius (R) | Standard Package Quantity |
|------------|-------------|--------------|-------------------------|------------|---------------------------|
| | | (in) | (in) | (in) | |
| 1½ | 903486 | 1.900 | 2.000 | 8.25 | 25 |
| 2 | 924967 | 2.375 | 2.000 | 9.50 | 25 |
| 2½ | 924976 | 2.875 | 3.000 | 10.50 | 50 |
| 3 | 924990 | 3.500 | 3.125 | 13.00 | 50 |
| 4 | 925003 | 4.500 | 3.375 | 16.00 | 25 |
| 5 | 925015 | 5.563 | 3.625 | 24.00 | 20 |
| 6 | 925025 | 6.625 | 3.750 | 30.00 | 16 |



Allied Tube & Conduit® Catalog

Item availability may vary by region.

NOTE: Special orders are non-cancelable, non-returnable and non-refundable.
alliedeg.com

PVC Schedule 40 - Special Radius Elbows (Plain End)

Listed to UL 651

| Trade Size | Degree | Standard Package Quantity | 18" Radius | 24" Radius | 30" Radius | 36" Radius | 48" Radius | 60" Radius |
|------------|--------|---------------------------|------------|------------|------------|------------|------------|------------|
| ¾ | 90 | 25 | - | 924695 | - | - | - | - |
| | 45 | 25 | 59701 | 59708 | 59717 | 59727 | 59738 | - |
| 1 | 90 | 25 | - | 925489 | - | - | - | - |
| | 45 | | 59702 | 59709 | 59718 | 59728 | 59739 | - |
| | 30 | | 925500 | - | 59766 | 925502 | - | - |
| 1¼ | 90 | 25 | - | 59855 | - | 59876 | - | - |
| | 45 | | 59703 | 59710 | 59719 | 59729 | 59740 | - |
| | 30 | | 925510 | 59758 | - | 59777 | - | - |
| 1½ | 90 | 25 | - | 59806 | - | - | - | - |
| | 45 | | 59704 | 59711 | 59720 | 59730 | 59741 | 924766 |
| | 30 | | 59752 | 59759 | 59768 | 59778 | 59789 | - |
| 2 | 22½ | 50 | 59800 | 59807 | - | 59826 | 59837 | - |
| | 11¼ | | 59848 | 59857 | 59867 | 59878 | - | - |
| | 90 | | 925962 | - | - | 925956 | - | - |
| | 45 | | 59705 | 59712 | 59721 | 59731 | 59742 | - |
| | 30 | | 59753 | 59760 | - | 59779 | 59790 | - |
| 2½ | 22½ | 50 | - | - | - | 59827 | - | - |
| | 11¼ | | 59849 | - | 59868 | - | - | - |
| | 90 | | 925958 | - | - | - | - | - |
| | 45 | | 59706 | 59713 | 59722 | 59732 | 59743 | 924801 |
| | 30 | | 59754 | 59761 | - | 59780 | 59791 | - |
| 3 | 22½ | 50 | - | - | - | 59828 | - | - |
| | 11¼ | | 59850 | 59859 | 59869 | 59880 | - | - |
| | 90 | | - | 924784 | - | 924786 | - | - |
| | 45 | | - | 59714 | 59723 | 59733 | 59744 | - |
| | 30 | | - | - | 59771 | 59781 | - | - |
| 3½ | 22½ | 25 | - | - | - | 59829 | - | - |
| | 90 | | - | 59860 | - | - | - | - |
| | 45 | | - | 59715 | 59724 | 59734 | 59745 | 828633 |
| | 30 | | - | 59763 | 59772 | 59782 | 59793 | 924838 |
| 4 | 22½ | 25 | - | 59811 | - | 59830 | 59841 | - |
| | 11¼ | | - | 59861 | 59871 | 59882 | 59893 | - |
| | 90 | | - | 924129 | - | 924815 | - | - |
| | 45 | | - | 59598 | 59725 | 59735 | 59746 | 866276 |
| | 30 | | - | 59585 | - | 59783 | 59794 | - |
| 5 | 22½ | 20 | - | 59571 | - | 59831 | 59842 | 924146 |
| | 11¼ | | - | 822335 | 59872 | 59883 | 59864 | - |
| | 90 | | - | 924142 | - | 924857 | - | 924859 |
| | 45 | | - | - | 59599 | 59736 | 59747 | 924905 |
| | 30 | | - | - | 59586 | 59784 | 59795 | - |
| 6 | 22½ | 16 | - | - | 59572 | 59832 | 59843 | 924147 |
| | 11¼ | | - | - | 813682 | 59884 | 59895 | - |
| | 90 | | - | - | 884262 | 925888 | - | - |
| | 45 | | - | - | - | - | 894493 | - |
| | 30 | | - | - | - | - | 894494 | - |
| 8* | 22½ | 8 | - | - | - | - | 924132 | - |
| | 90 | | - | - | - | - | 925954 | - |

*UL 651 does not include 8"

PVC Conduit & Fittings

Allied Tube & Conduit® Catalog



Item availability may vary by region.

NOTE: Special orders are non-cancelable, non-returnable and non-refundable.
800.882.5543



PVC Schedule 40 - Special Radius Elbows (Belled End)

Listed to UL 651

PVC Conduit & Fittings

Allied Tube & Conduit® Catalog

| Trade Size | Degree | Standard Package Quantity | 18" Radius | 24" Radius | 30" Radius | 36" Radius | 48" Radius | 60" Radius |
|------------|--------|---------------------------|------------|------------|------------|------------|------------|------------|
| ¾ | 90 | 25 | 924693 | 924694 | - | - | - | - |
| | 45 | | 924691 | - | - | - | - | - |
| 1 | 90 | 25 | 882688 | 864955 | - | 882690 | 882691 | - |
| | 45 | | 924706 | 924707 | - | 924708 | - | - |
| | 30 | | - | - | - | 902710 | - | - |
| | 22½ | | 924702 | - | - | - | - | - |
| | 11¼ | | 924698 | 924699 | - | 924700 | - | - |
| 1¼ | 90 | 25 | 882708 | 867654 | 924721 | 867655 | 882710 | - |
| | 45 | | 924717 | 924718 | - | 924719 | 925503 | - |
| | 22½ | | 925494 | 924713 | - | 924714 | - | - |
| | 11¼ | | - | 926369 | - | - | - | - |
| 1½ | 90 | 25 | 882724 | 867657 | - | 867658 | 882726 | 925515 |
| | 45 | | 924731 | 867656 | - | 924732 | 924733 | - |
| | 22½ | | 924726 | 924727 | - | 924728 | - | - |
| | 11¼ | | 924722 | 924723 | - | 925504 | - | - |
| 2 | 90 | 50 | 870686 | 862295 | 878928 | 862294 | 878943 | 924765 |
| | 45 | | 878919 | 868000 | 878929 | 866991 | 878944 | 924755 |
| | 30 | | 882740 | 882741 | 882742 | 882743 | 882744 | - |
| | 22½ | | 882745 | 882746 | - | 873478 | 882748 | 924748 |
| | 11¼ | | 924738 | 924739 | - | 924740 | 925519 | - |
| 2½ | 90 | 50 | 882750 | 864956 | 878930 | 873477 | 878945 | - |
| | 45 | | 878921 | 878924 | 878931 | 878939 | - | - |
| | 22½ | | 882756 | 882757 | - | 882759 | - | - |
| 3 | 90 | 50 | 878922 | 865575 | 878982 | 865576 | 878947 | 924800 |
| | 45 | | 878923 | 878925 | 878933 | 870397 | 878948 | 924795 |
| | 30 | | 882761 | 882762 | - | 882764 | 882765 | - |
| | 22½ | | 882766 | 882767 | 882768 | 875028 | 882769 | 924792 |
| | 11¼ | | - | - | - | 924785 | 925544 | - |
| 3½ | 90 | 25 | - | 924807 | - | 878940 | - | - |
| | 45 | | - | 878927 | 924099 | 878941 | - | - |
| | 30 | | - | 924104 | - | - | - | - |
| 4 | 90 | 25 | 924845 | 864957 | 864454 | 862293 | 817088 | 882780 |
| | 45 | | 924098 | 864375 | 878936 | 866990 | 817089 | 924837 |
| | 30 | | 924103 | 880617 | 882781 | 882782 | 882783 | 924833 |
| | 22½ | | - | 864376 | 882784 | 873476 | 818391 | 924831 |
| | 11¼ | | 924812 | 867999 | - | 924814 | 924816 | - |
| 5 | 90 | 20 | - | 802763 | - | 873626 | 864453 | 882787 |
| | 45 | | - | 802776 | 878938 | 875065 | 817433 | 924871 |
| | 30 | | - | 802788 | - | 882789 | 893107 | - |
| | 22½ | | - | 924862 | 882791 | 873693 | 882790 | 924866 |
| | 11¼ | | - | 924853 | - | 870398 | 924858 | 925575 |
| 6 | 90 | 16 | - | - | 802764 | 875754 | 873695 | 924904 |
| | 45 | | - | - | 802777 | 878942 | 878951 | 924899 |
| | 30 | | - | - | 802789 | 882792 | 882793 | 924896 |
| | 22½ | | - | - | 924889 | 882795 | 882796 | 924892 |
| | 11¼ | | - | - | 924878 | 882797 | 882825 | 924882 |
| 8* | 90 | 8 | - | - | - | - | 924910 | 924911 |
| | 45 | | - | - | - | - | 924909 | - |
| | 22½ | | - | - | - | - | 924907 | - |

*UL 651 does not include 8"



Item availability may vary by region.

NOTE: Special orders are non-cancelable, non-returnable and non-refundable.
alliedeg.com

PVC Schedule 80 - Special Radius Elbows (Plain End)

Listed to UL 651

| Trade Size | Degree | Standard Package Quantity | 18" Radius | 24" Radius | 30" Radius | 36" Radius | 48" Radius | 60" Radius |
|------------|--------|---------------------------|------------|------------|------------|------------|------------|------------|
| 1 | 90 | 25 | 924951 | 808831 | - | 808835 | 808845 | - |
| 1¼ | 90 | 25 | - | 808854 | - | 808858 | 808862 | - |
| 1½ | 90 | 25 | 805133 | 925998 | - | 809049 | 809053 | - |
| 2 | 90 | 50 | 809057 | 805916 | 925892 | 597394 | 597493 | - |
| | 45 | | 809058 | 809061 | 925896 | 809067 | - | - |
| | 22½ | | 809060 | 926003 | - | - | 925631 | - |
| | 11¼ | | - | - | - | 926020 | - | - |
| 2½ | 90 | 50 | 597043 | 597123 | - | 597391 | 809081 | - |
| | 45 | | - | 809078 | - | - | - | - |
| | 22½ | | 809074 | - | - | - | - | - |
| 3 | 90 | 50 | 597063 | 597152 | - | 597392 | 597494 | 924251 |
| | 45 | | 809085 | 809088 | - | 809091 | - | - |
| | 22½ | | 809087 | - | - | 809093 | - | - |
| 3½ | 90 | 25 | - | - | - | 924247 | - | |
| 4 | 90 | 25 | - | 597153 | - | 597393 | 597492 | 924253 |
| | 45 | | - | 809205 | - | 597823 | 597944 | 924264 |
| | 30 | | - | 809206 | - | 809208 | 809210 | - |
| | 22½ | | - | 809207 | - | 809209 | 809211 | - |
| 5 | 90 | 20 | - | 59022 | - | 597395 | 597495 | 924254 |
| | 45 | | - | 59010 | - | 597824 | 597946 | 924265 |
| | 30 | | - | 59073 | - | 809212 | - | - |
| | 22½ | | - | 867700 | - | 809213 | 809215 | - |
| 6 | 90 | 16 | - | - | 59023 | 809249 | 597491 | 925032 |
| | 45 | | - | - | 59011 | 809250 | 597945 | - |
| | 30 | | - | - | 59074 | 809251 | 809253 | 924277 |
| | 22½ | | - | - | - | 809252 | 809254 | 925907 |
| | 11¼ | | - | - | - | 926033 | - | 926035 |

PVC Conduit & Fittings

Allied Tube & Conduit® Catalog

Item availability may vary by region.

NOTE: Special orders are non-cancelable, non-returnable and non-refundable.
800.882.5543



PVC Schedule 80 - Special Radius Elbows (Belled End)

Listed to UL 651

PVC Conduit & Fittings

| Trade Size | Degree | Standard Package Quantity | 18" Radius | 24" Radius | 30" Radius | 36" Radius | 48" Radius | 60" Radius |
|------------|--------|---------------------------|------------|------------|------------|------------|------------|------------|
| 1½ | 90 | 25 | - | - | - | 926000 | - | - |
| | 45 | | - | 926007 | - | 926011 | 925634 | - |
| 2 | 45 | 50 | - | 924968 | - | 924969 | - | - |
| | 22½ | | - | 926024 | - | - | - | - |
| | 11¼ | | - | 925875 | - | - | - | - |
| 2½ | 90 | 50 | - | 925761 | 926010 | 926012 | 925645 | - |
| 3 | 90 | 50 | 925657 | 926009 | 925658 | 926013 | 924996 | 925659 |
| | 45 | | - | 924991 | - | 924992 | 925654 | - |
| | 30 | | - | 924988 | - | - | - | - |
| | 22½ | | 924981 | 926025 | 925648 | 924983 | 924984 | - |
| | 11¼ | | - | 925646 | - | 925647 | - | - |
| 4 | 90 | 25 | - | 925008 | 925673 | 926014 | 925010 | 925012 |
| | 45 | | - | 925669 | - | 925004 | 925005 | 925672 |
| | 22½ | | - | 926026 | - | 926027 | 925000 | 925667 |
| | 11¼ | | - | - | - | 925661 | 924998 | - |
| 5 | 90 | 20 | - | 925017 | - | 925019 | 925020 | - |
| | 45 | | - | 925015 | - | 925016 | 925684 | 925685 |
| | 22½ | | - | - | - | 925014 | - | - |
| 6 | 90 | 16 | - | - | 925028 | - | 925030 | 925031 |
| | 45 | | - | - | 925025 | 925026 | 925027 | 925694 |
| | 22½ | | - | - | 925022 | 925023 | 925024 | - |

Allied Tube & Conduit® Catalog



Item availability may vary by region.

NOTE: Special orders are non-cancelable, non-returnable and non-refundable.
alliedeg.com