

Type 4X Non-Metallic Enclosures

Polycarbonate Enclosures Type 4X Hinged and Lift-Off Screw Covers Data Sheet



Application

- Houses electrical and electronic controls and instruments
- Intended for indoor or outdoor use
- Ideally suited for harsh environments
- Protects against corrosion, windblown dust and rain, sleet and snow, splashing water, hose directed water, and sun/UV and flame protection

Standards

- UL/cUL 50 Listed, UL50e, UL508A UL746C, Type 1, Type 3R, Type 4, Type 4X, Type 12
- Conforms to NEMA Standard for Type 1, Type 3, Type 4X, Type 12
- IEC 60529; IP66
- CSA 22.2, Type 1, Type 3, Type 4X, Type 12
- Temperature Range: -40°F to +248°F (-40°C to +120°C)
- Flammability Rating: UL94-5VA (highest flame resistance)
- Self Extinguishing: Non-flame propagating
- Chemical Resistance: (see chart, pages 464 - 467)

Finish

- Gray color

Accessories

- Back panels (see page 290)
- See accessories (page 294)

Construction

- Enclosures are an impact resistant, non-conductive, light-weight hot compression molded non-Metallic reinforced polycarbonate
- Neoprene rope style gasket provides watertight, dust-tight environmental seal (poured polyurethane seamless gasket on select sizes)
- Clear and opaque cover styles available
- Captive screws provide smooth surfaces
- Latch options - full non-metallic or 300 series stainless steel used on all external hardware, does not penetrate inside enclosure
- Integral mounting bosses utilize threaded brass inserts accepting #10-32 screws for mounting optional panel
- Rounded edges reduce build-up of dust and debris
- Enclosure can be configured as screw cover or hinged cover
- Thick, robust side wall construction eliminates side wall flexing
- Built in DIN Rail mounting embosses in the back of the enclosure
- Capability to side mount of enclosure panel, DIN or instruments
- Sliding T-Nut allows for infinite panel adjustment back to front
- Multi-directional mounting feet allow mounting flexibility
- Industry leading size range: 6" x 6" to 24" x 24"

Discount Schedule: F2

Subclass: G00

Notes: We can provide special modifications. Consult the factory for your special requirements.

Polycarbonate Enclosures Type 4X Hinge and Lift-Off Screw Cover Illustration Sheet and Catalog Number

Enclosure Catalog #		Overall Dimensions H x W x D		Inside Dimensions A x B x C		Mounting Horz. E x F		Mounting Vert. E x F		Mounting 45° E x F	
Clear Cover	Opaque Cover	in.	mm	in.	mm	in.	mm	in.	mm	in.	mm
664-4XPCQRCC	664-4XPCQR	7.41 x 8.68 x 5.84	(188 x 223 x 148)	5.94 x 5.94 x 5.02	(151 x 151 x 127)	3.64 x 8.40	(93 x 213)	8.04 x 3.64	(204 x 93)	6.75 x 6.74	(171 x 171)
864-4XPCQRCC	864-4XPCQR	9.41 x 8.68 x 5.86	(239 x 223 x 149)	7.97 x 5.97 x 5.07	(202 x 152 x 129)	5.64 x 8.04	(143 x 213)	10.04 x 3.64	(255 x 93)	8.76 x 6.75	(223 x 171)
884-4XPCQRCC	884-4XPCQR	9.41 x 10.68 x 5.86	(239 x 271 x 149)	7.97 x 7.97 x 5.03	(202 x 202 x 128)	5.63 x 10.03	(143 x 255)	10.04 x 5.63	(255 x 143)	8.74 x 8.78	(222 x 223)
1084-4XPCQRCC	1084-4XPCQR	11.41 x 10.68 x 6.36	(290 x 271 x 161)	9.96 x 7.96 x 5.57	(253 x 202 x 142)	7.64 x 10.04	(194 x 255)	12.04 x 5.64	(306 x 143)	10.76 x 8.75	(273 x 222)
1086-4XPCQRCC	1086-4XPCQR	11.41 x 10.68 x 7.89	(209 x 271 x 200)	9.95 x 7.95 x 7.06	(253 x 202 x 179)	7.63 x 10.03	(194 x 255)	12.03 x 5.63	(306 x 143)	10.76 x 8.75	(273 x 222)
10106-4XPCQRCC	10106-4XPCQR	11.41 x 12.68 x 6.97	(209 x 322 x 177)	9.95 x 9.95 x 6.15	(253 x 253 x 156)	7.63 x 12.03	(194 x 306)	12.03 x 7.63	(306 x 194)	10.76 x 10.75	(273 x 273)
12106-4XPCQRCC	12106-4XPCQR	13.40 x 12.68 x 7.86	(340 x 322 x 200)	11.95 x 9.95 x 7.07	(304 x 253 x 180)	9.64 x 12.04	(245 x 306)	14.04 x 7.64	(357 x 194)	12.76 x 10.75	(324 x 273)
14126-4XPCQRCC	14126-4XPCQR	15.40 x 14.68 x 7.86	(391 x 373 x 200)	13.95 x 11.95 x 7.07	(354 x 304 x 180)	11.64 x 14.04	(296 x 357)	16.04 x 9.64	(407 x 245)	14.76 x 12.75	(375 x 324)
16148-4XPCQRCC	16148-4XPCQR	17.65 x 16.68 x 9.98	(448 x 424 x 253)	15.93 x 13.93 x 9.20	(405 x 354 x 234)	13.64 x 16.04	(347 x 407)	18.04 x 11.64	(458 x 296)	16.76 x 14.75	(426 x 375)
181610-4XPCQRCC	181610-4XPCQR	19.41 x 18.68 x 11.90	(493 x 474 x 302)	17.83 x 15.83 x 11.08	(453 x 402 x 281)	15.64 x 18.04	(397 x 458)	20.04 x 13.64	(509 x 347)	18.75 x 16.74	(476 x 425)
20168-4XPCQRCC	20168-4XPCQR	21.41 x 18.68 x 9.97	(544 x 474 x 253)	19.86 x 15.86 x 9.15	(504 x 403 x 232)	18.75 x 19.17	(476 x 487)	23.15 x 14.75	(588 x 375)	21.91 x 17.87	(557 x 454)
242410-4XPCQRCC	242410-4XPCQR	25.41 x 26.68 x 11.41	(645 x 678 x 290)	23.91 x 23.91 x 11.88	(607 x 607 x 302)	N/A	N/A	25.69 x 18.00	(653 x 457)	N/A	N/A

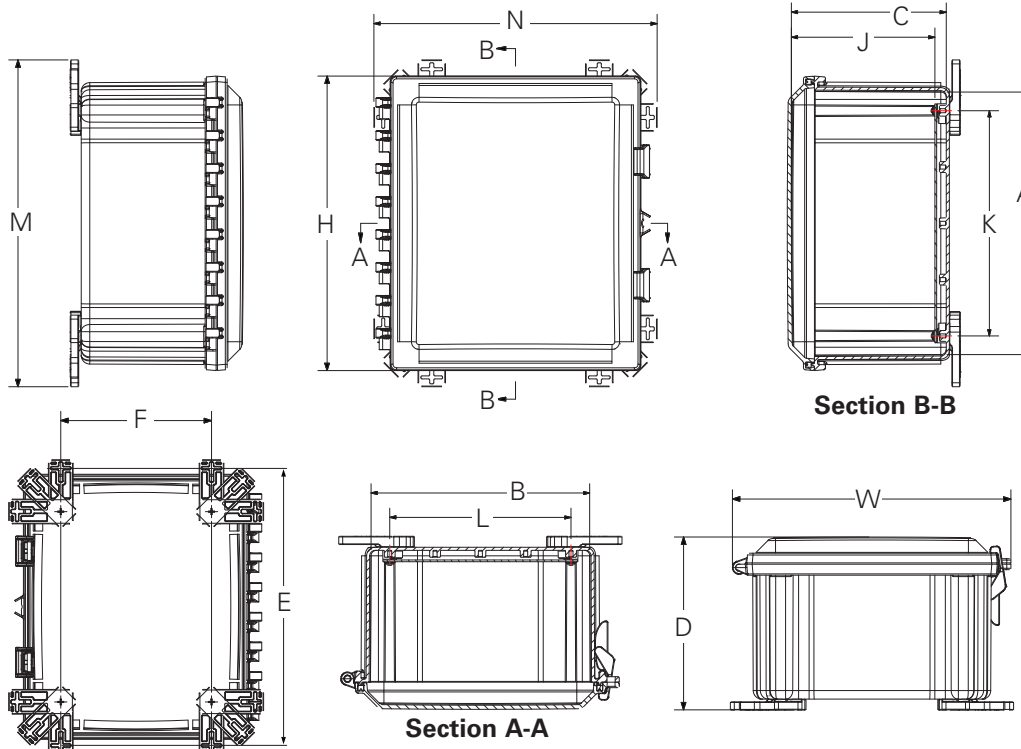
Enclosure Catalog #		Dimensions										Panel No.
Clear Cover	Opaque Cover	J		K		L		M		N		
		in.	mm	in.	mm	in.	mm	in.	mm	in.	mm	
664-4XPCQRCC	664-4XPCQR	4.50	(114)	4.25	(108)	4.25	(108)	8.89	(226)	8.89	(226)	AW66__
864-4XPCQRCC	864-4XPCQR	4.56	(116)	6.25	(159)	4.25	(108)	10.89	(277)	8.89	(226)	AW86__
884-4XPCQRCC	884-4XPCQR	4.53	(115)	6.25	(159)	6.25	(159)	10.88	(277)	10.88	(277)	AW88__
1084-4XPCQRCC	1084-4XPCQR	5.05	(128)	8.25	(210)	6.25	(159)	12.89	(327)	10.89	(277)	AW108__
1086-4XPCQRCC	1086-4XPCQR	6.54	(166)	8.25	(210)	6.25	(159)	12.88	(327)	10.88	(277)	AW108__
10106-4XPCQRCC	10106-4XPCQR	5.65	(144)	8.25	(210)	8.25	(210)	12.88	(327)	12.88	(327)	AW1010__
12106-4XPCQRCC	12106-4XPCQR	6.56	(167)	10.25	(260)	8.25	(210)	14.89	(378)	12.89	(327)	AW1210__
14126-4XPCQRCC	14126-4XPCQR	6.56	(167)	12.25	(311)	10.25	(260)	16.89	(429)	14.89	(378)	AW1412__
16148-4XPCQRCC	16148-4XPCQR	8.68	(220)	14.25	(362)	12.25	(311)	18.89	(480)	16.89	(429)	AW1614__
181610-4XPCQRCC	181610-4XPCQR	10.56	(268)	16.25	(413)	14.25	(362)	20.89	(531)	18.89	(480)	AW1816__
20168-4XPCQRCC	20168-4XPCQR	8.65	(220)	18.25	(464)	14.25	(362)	24.00	(610)	20.02	(509)	AW2016__J
242410-4XPCQRCC	242410-4XPCQR	10.56	(268)	22.25	(565)	22.25	(565)	26.69	(678)	21.86	(555)	AW2424__J

Panel Finishes

Example: AW108__

Insert for __

P = Carbon Steel
SP = Stainless Steel
AP = Aluminum



Notes: Dimensions are in inches. Millimeters shown are for reference only. Data subject to change without notice.