

# Rigid IMC

## Universal Super Fitting™ 3 Piece Coupling

### Applications

- Used to join two lengths of conduit; couples conduit when conduit cannot be turned
- Threaded GRC/IMC to Threaded GRC/IMC
- Threaded GRC/IMC to Unthreaded GRC/IMC
- Threaded GRC/IMC to PVC
- Threaded GRC/IMC to Thin Wall EMT (2½" to 4")

### Features

- UL Concrete-tight
- Ease of installation/Quick-connect
- Universal connecting - Threaded to Threaded, Threaded to Unthreaded
- No more turning Pipe
- Self Pipe Alignment
- Eliminates field threading
- Fit GRC/IMC/EMT (Fits all UL approved metal conduit)
- Fit PVC Schedule 40 and Schedule 80
- Lightweight

### Standard Materials

- Steel

### Standard Finish

- Zinc plated

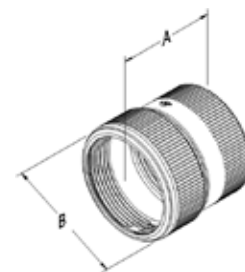
### Applicable Third Party Standards

- UL us listed UL 514B; C22.2 No. 18.3-12
- UL Listed File # E207875

U.S. Patent No. 8.586.881



Threaded GRC / IMC to Threaded GRC / IMC



Threaded GRC / IMC to Unthreaded GRC / IMC / EMT / PVC



Catalog Number	Replaces Part Number	Trade Size (in)	Dim A (in)	Dim B (in)	Inner Pack	Master Pack	Weight Per C (lb)
SEC50KON*	EC50KON	1/2	1.56	1.25	25	100	20
SEC75KON*	EC75KON	3/4	1.62	1.45	25	100	23
SEC100KON*	EC100KON	1	1.96	1.71	10	50	36
SEC125KON*	EC125KON	1 1/4	2.08	2.07	5	25	46
SEC150KON*	EC150KON	1 1/2	2.12	2.32	5	25	55
SEC200KON*	EC200KON	2	2.19	2.80	2	10	70
SEC250KON**	EC250KON	2 1/2	3.19	3.45	2	-	170
SEC300KON**	EC300KON	3	3.31	4.08	1	-	210
SEC350KON**	EC350KON	3 1/2	3.55	4.59	1	-	270
SEC400KON**	EC400KON	4	3.92	5.24	1	-	370
SEC500KON*	EC500KON	5	5.38	6.25	1	-	538

\* Use with Rigid and IMC

\*\* Use with Rigid, IMC, EMT and PVC

# Universal Super Fitting™ 5 Piece Coupling

## Applications

- Used to join two lengths of conduit; couples conduit when conduit cannot be turned
- Threaded GRC/IMC to threaded GRC/IMC
- Threaded GRC/IMC to unthreaded GRC/IMC/EMT /PVC (2½" to 4")
- Unthreaded GRC/IMC/EMT/PVC to unthreaded GRC /IMC/EMT/PVC

## Features

- UL Listed concrete tight
- Permitted for use in Class I Division 2 locations per section 501.10(B)(1) of the NEC®
- Permitted for use in Class II Division 2 locations per section 502.10(B)(1) of the NEC®
- Ease of installation/quick-connect
- Universal connecting - threaded to threaded, threaded to unthreaded
- No more turning conduit
- Self Pipe Alignment
- Eliminates field threading
- Fit GRC/IMC/EMT (fits all UL approved metal conduit)
- Fit PVC Schedule 40 and Schedule 80
- Lightweight

## Standard Materials

- Steel

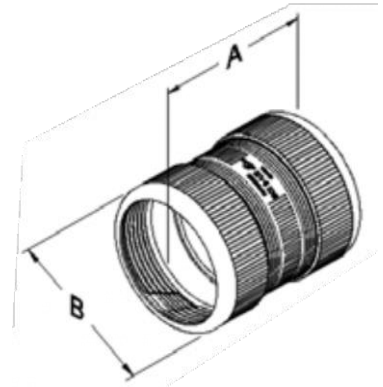
## Standard Finish

- Zinc plated

## Applicable Third Party Standards

- UL us listed UL 514B; C22.2 No. 18.3-12
- UL Listed File # E207875

U.S. Patent No. 8.586.881



Threaded GRC/IMC to Unthreaded GRC/IMC/EMT/PVC



Threaded GRC/IMC to Threaded GRC/IMC



Unthreaded GRC/IMC /EMT/PVC to Unthreaded GRC/IMC /EMT/PVC



Catalog Number	Replaces Part Number	Trade Size (in)	Dim A (in)	Dim B (in)	Inner Pack	Master Pack	Weight Per C (lb)
SRCK50KON*	RCK50KON	1/2	1.471	1.240	25	100	28.0
SRCK75KON*	RCK75KON	3/4	1.492	1.440	25	100	33.2
SRCK100KON*	RCK100KON	1	1.731	1.720	10	50	42.8
SRCK125KON*	RCK125KON	1¼	1.928	2.070	5	25	66.8
SRCK150KON*	RCK150KON	1½	2.006	2.320	5	25	78.0
SRCK200KON*	RCK200KON	2	2.004	2.800	2	10	98.4
SRCK250KON**	RCK250KON	2½	4.120	3.450	2	-	230.0
SRCK300KON**	RCK300KON	3	4.160	4.080	1	-	290.0
SRCK350KON**	RCK350KON	3½	4.450	4.590	1	-	380.0
SRCK400KON**	RCK400KON	4	4.500	5.090	1	-	430.0

\* Use with Rigid, IMC

\*\* Use with Rigid, IMC, EMT, and PVC

# Universal Super Fitting™ Connector

## Applications

- Used to join conduit to a metal enclosure
- Metal enclosure to threaded GRC/IMC
- Metal enclosure to unthreaded GRC/IMC
- Metal enclosure to PVC
- Metal enclosure to thin wall EMT (2" to 4")

## Features

- UL Listed concrete tight
- Permitted for use in Class I Division 2 locations per section 501.10(B)(1) of the NEC®
- Permitted for use in Class II Division 2 locations per section 502.10(B)(1) of the NEC®
- Ease of installation/quick-connect
- Universal connecting - threaded or unthreaded
- No more turning conduit
- Self pipe alignment
- Eliminates field threading
- Fit GRC/IMC/EMT (fits all UL approved metal pipe)
- Fit PVC Schedule 40 and Schedule 80
- Lightweight

## Standard Materials

- Steel

## Standard Finish

- Zinc plated

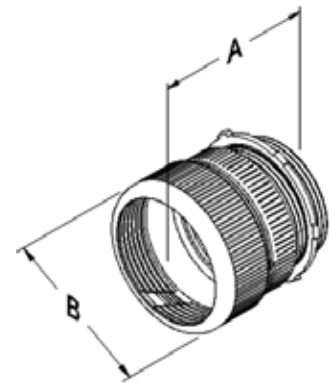
## Applicable Third Party Standards

- UL us Listed UL 514B; C22.2 No. 18.3-12
- UL Listed File # E207875

U.S. Patent No. 8.586.881



**Threaded GRC/IMC  
to Metal Box**



**Unthreaded GRC/IMC/  
EMT/PVC  
to Metal Box**



Catalog Number	Replaces Part Number	Trade Size (in)	Dim A (in)	Dim B (in)	Inner Pack	Master Pack	Weight Per C (lb)
SRCC50KON*	RCC50KON	1/2	1.837	1.240	25	100	22.6
SRCC75KON*	RCC75KON	3/4	1.877	1.440	25	100	28.0
SRCC100KON*	RCC100KON	1	2.111	1.720	10	50	38.2
SRCC125KON*	RCC125KON	1 1/4	2.339	2.070	5	25	57.2
SRCC150KON*	RCC150KON	1 1/2	2.427	2.320	5	25	69.4
SRCC200KON*	RCC200KON	2	2.505	2.800	2	10	87.4
SRCC250KON**	RCC250KON	2 1/2	3.460	3.450	2	-	210.0
SRCC300KON**	RCC300KON	3	3.490	4.080	1	-	270.0
SRCC350KON**	RCC350KON	3 1/2	3.730	4.590	1	-	340.0
SRCC400KON**	RCC400KON	4	3.810	5.090	1	-	390.0

\* Use with Rigid and IMC

\*\* Use with Rigid, IMC, EMT and PVC