

Type 4 Panel Enclosures

Wall-Mount Enclosures Type 4 Single-Door Data Sheet



Application

- Houses electrical controls and instruments
- Intended for indoor or outdoor use
- Protects against windblown dust and rain, splashing water and hose directed water

Standards

- UL 508A listed, Type 4, Type 12 and Type 13
- CSA C22.2 No.94 certified, Type 4, Type 12 and Type 13
- Conforms to NEMA standard for Type 4, Type 12 and Type 13

Finish

- Wash and phosphate undercoat
- ANSI 61 gray polyester powder finish

Accessories

- Panels
- NEMA terminal strap kit
- Terminal blocks
- Door lock kit
- Floor stand kit
- Touch-up paint
- See Accessories section

Construction

- Enclosure and door are fabricated from code gauge steel, (see table, page 144)
- All continuous welded seams are finished smooth
- Doors are secured to the body with a heavy-duty continuous hinge on one side and easy-to-release stainless steel door clamps mounted to the other three sides
- Ground stud provided on door and body
- Formed lip around enclosure opening diverts liquids and contaminants
- Each door has a padlock hasp with sealing hole provision
- Print pocket provided
- Door has a seamless poured in-place gasket
- .375-16 collar studs are provided for mounting optional panel
- External mounting feet are provided for secure wall mounting

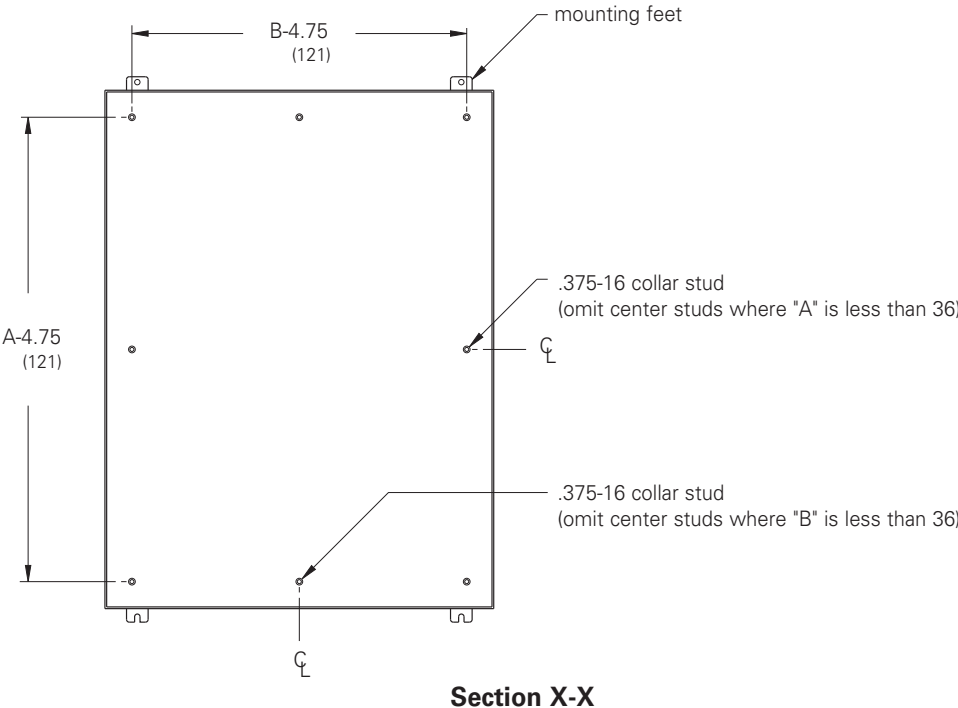
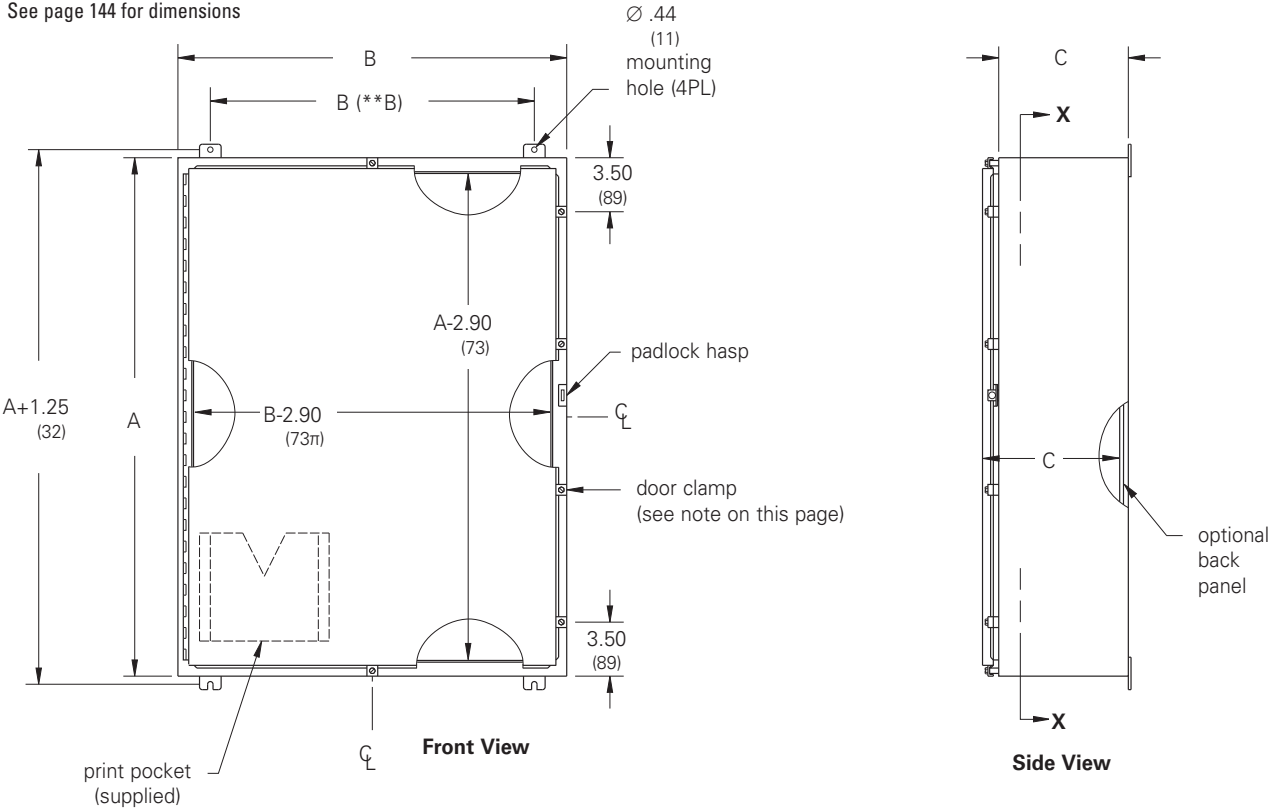
Discount Schedule: C2

Subclass: DF0

Notes: We can provide special sizes, finishes and other modifications. Consult the factory for your special requirements.

Wall-Mount Enclosures Type 4 Single-Door Illustration Sheet

See page 144 for dimensions



Notes: Dimensions: **B = (-2.50) if 12 inches wide; (-6.00) if wider than 12 inches. Clamps are mounted along three sides of the enclosure door. Spacing between clamps along side opposite the hinge does not exceed 15 inches. Dimensions are in inches. Millimeters shown are for reference only. Data subject to change without notice.

Type 4 Panel Enclosures

Type 4 Panel Enclosures

Wall-Mount Enclosures Type 4 Single-Door Catalog Number

Enclosure Catalog Number	Enclosure Size Height x Width x Depth A x B x C		Gauge	Panel		Panel Size Height x Width	
	in.	mm		Painted	Conductive	in.	mm
16126-4	16.00 x 12.00 x 6.00	406 x 305 x 152	16	AW1612P	AW1612GP	13.00 x 9.00	330 x 229
16166-4	16.00 x 16.00 x 6.00	406 x 406 x 152	16	AW1616P	AW1616GP	13.00 x 13.00	330 x 330
16206-4	16.00 x 20.00 x 6.00	406 x 508 x 152	16	AW2016P	AW2016GP	13.00 x 17.00	330 x 432
20166-4	20.00 x 16.00 x 6.00	508 x 406 x 152	16	AW2016P	AW2016GP	17.00 x 13.00	432 x 330
20206-4	20.00 x 20.00 x 6.00	508 x 508 x 152	16	AW2020P	AW2020GP	17.00 x 17.00	432 x 432
24126-4	24.00 x 12.00 x 6.00	610 x 305 x 152	16	AW2412P	--	21.00 x 9.00	533 x 229
24166-4	24.00 x 16.00 x 6.00	610 x 406 x 152	16	AW2416P	AW2416GP	21.00 x 13.00	533 x 330
24206-4	24.00 x 20.00 x 6.00	610 x 508 x 152	16	AW2420P	AW2420GP	20.87 x 16.87	530 x 428
24246-4	24.00 x 24.00 x 6.00	610 x 610 x 152	14	AW2424P	AW2424GP	20.87 x 20.87	530 x 530
30206-4	30.00 x 20.00 x 6.00	762 x 508 x 152	14	AW3020P	AW3020GP	26.87 x 16.87	682 x 428
30246-4	30.00 x 24.00 x 6.00	762 x 610 x 152	14	AW3024P	AW3024GP	26.87 x 20.87	682 x 530
36246-4	36.00 x 24.00 x 6.00	914 x 610 x 152	14	AW3624P	AW3624GP	32.87 x 20.87	835 x 530
16128-4	16.00 x 12.00 x 8.00	406 x 305 x 203	16	AW1612P	AW1612GP	13.00 x 9.00	330 x 229
20168-4	20.00 x 16.00 x 8.00	508 x 406 x 203	16	AW2016P	AW2016GP	17.00 x 13.00	432 x 330
20208-4	20.00 x 20.00 x 8.00	508 x 508 x 203	16	AW2020P	AW2020GP	17.00 x 17.00	432 x 432
20248-4	20.00 x 24.00 x 8.00	508 x 610 x 203	16	AW2420P	AW2420GP	16.87 x 20.87	428 x 530
24208-4	24.00 x 20.00 x 8.00	610 x 508 x 203	16	AW2420P	AW2420GP	20.87 x 16.87	530 x 428
24248-4	24.00 x 24.00 x 8.00	610 x 610 x 203	14	AW2424P	AW2424GP	20.87 x 20.87	530 x 530
24308-4	24.00 x 30.00 x 8.00	610 x 762 x 203	14	AW3024P	AW3024GP	20.87 x 26.87	530 x 682
30208-4	30.00 x 20.00 x 8.00	762 x 508 x 203	14	AW3020P	AW3020GP	26.87 x 16.87	682 x 428
30248-4	30.00 x 24.00 x 8.00	762 x 610 x 203	14	AW3024P	AW3024GP	26.87 x 20.87	682 x 530
30308-4	30.00 x 30.00 x 8.00	762 x 762 x 203	14	AW3030P	AW3030GP	26.87 x 26.87	682 x 682
36248-4	36.00 x 24.00 x 8.00	914 x 610 x 203	14	AW3624P	AW3624GP	32.87 x 20.87	835 x 530
36308-4	36.00 x 30.00 x 8.00	914 x 762 x 203	14	AW3630P	AW3630GP	32.87 x 26.87	835 x 682
42308-4	42.00 x 30.00 x 8.00	1067 x 762 x 203	14	AW4230P	AW4230GP	38.87 x 26.87	987 x 682
42368-4	42.00 x 36.00 x 8.00	1067 x 914 x 203	14	AW4236P	AW4236GP	38.87 x 32.87	987 x 835
48368-4	48.00 x 36.00 x 8.00	1219 x 914 x 203	14	AW4836P	AW4836GP	44.87 x 32.87	1140 x 835
60368-4	60.00 x 36.00 x 8.00	1524 x 914 x 203	14	AW6036P	AW6036GP	56.87 x 32.87	1444 x 835
201610-4	20.00 x 16.00 x 10.00	508 x 406 x 254	16	AW2016P	AW2016GP	17.00 x 13.00	432 x 330
242010-4	24.00 x 20.00 x 10.00	610 x 508 x 254	16	AW2420P	AW2420GP	20.87 x 16.87	530 x 428
302410-4	30.00 x 24.00 x 10.00	762 x 610 x 254	14	AW3024P	AW3024GP	26.87 x 20.87	682 x 530
363010-4	36.00 x 30.00 x 10.00	914 x 762 x 254	14	AW3630P	AW3630GP	32.87 x 26.87	835 x 682
483010-4	48.00 x 30.00 x 10.00	1219 x 762 x 254	14	AW4830P	AW4830GP	44.87 x 26.87	1140 x 682
483610-4	48.00 x 36.00 x 10.00	1219 x 914 x 254	14	AW4836P	AW4836GP	44.87 x 32.87	1140 x 835
603610-4	60.00 x 36.00 x 10.00	1524 x 914 x 254	14	AW6036P	AW6036GP	56.87 x 32.87	1444 x 835
302412-4	30.00 x 24.00 x 12.00	762 x 610 x 305	14	AW3024P	AW3024GP	26.87 x 20.87	682 x 530
363012-4	36.00 x 30.00 x 12.00	914 x 762 x 305	14	AW3630P	AW3630GP	32.87 x 26.87	835 x 682
483612-4	48.00 x 36.00 x 12.00	1219 x 914 x 305	14	AW4836P	AW4836GP	44.87 x 32.87	1140 x 835
363016-4	36.00 x 30.00 x 16.00	914 x 762 x 406	14	AW3630P	AW3630GP	32.87 x 26.87	835 x 682
483616-4	48.00 x 36.00 x 16.00	1219 x 914 x 406	14	AW4836P	AW4836GP	44.87 x 32.87	1140 x 835
603616-4	60.00 x 36.00 x 16.00	1524 x 914 x 406	14	AW6036P	AW6036GP	56.87 x 32.87	1444 x 835

See page 145 for drawings

Notes: Dimensions are in inches. Millimeters shown are for reference only. Data subject to change without notice.

Wall-Mount Enclosures Type 4 Premier™ Series with Quarter-Turn Latches Data Sheet and Catalog Number



Application

- Houses electrical controls and instruments
- Intended for indoor or outdoor use
- Protects against circulating and windblown dust, falling dirt, dripping non-corrosive liquids, rain, splashing water and hose directed water

Standards

- UL 508A Listed, Type 4 and Type 12
- cUL Listed, Type 4 and Type 12
- Conforms to NEMA standard for Type 4 and Type 12
- Wall-mounting brackets required to maintain UL/CSA external mounting requirements

Finish

- Wash and phosphate undercoat
- ANSI 61 gray polyester powder finish
- Available with RAL7035 Light Gray textured paint. To order add an "LG" to the end of the part number as shown in the tables (pages 146 - 149)

Discount Schedule: C2

Subclass: TC0

Accessories

- Premier panels
- Security latch inserts
- NEMA panel adapters
- Mounting foot kits
- Depth adjustment brackets
- EIA/TIA rack mounting angles
- Print pockets
- Swing-out panels
- Single point padlockable or keyed handles
- 3-point (3PT) handle: SD-KHB
- See Accessories section, pages 154-159

Construction

- Enclosure and door are fabricated from code gauge steel (see tables, pages 146 - 149)
- All continuous welded seams are finished smooth
- Hardware kit provided contains grounding hardware, .312-18 flanged hex nuts for panel mounting, and sealing washers for body mounting holes

Body Construction

- Body flange trough design is formed around body opening to divert liquid contaminants away from door opening
- Reduced width flange design increases enclosure opening
- Ground stud provided on enclosure body and on door
- .312-18 collar studs are provided for mounting optional Premier panels
- Enclosure mounting holes in body provided for direct mounting or optional mounting feet

Door Construction

- Doors are secured to the body with concealed hinge design on one side and slotted quarter-turn flush latch(es) on the opposite side
- Doors are easily removed and interchangeable
- Door has a seamless poured in-place gasket
- Door opens 180° for easy access
- A slotted quarter-turn 3-point latching system is provided when the height is equal to or greater than 42"
- Window-door enclosures feature flush-mounted clear polycarbonate window

Notes: We can provide special sizes, finishes and other modifications. Consult the factory for your special requirements.

Type 4 Panel Enclosures

Wall-Mount Enclosures Type 4 Premier™ Series with Quarter-Turn Latches Catalog Number

Enclosure Catalog Number				Enclosure Size		Door/Body Gauge	Panel Catalog Number	Panel Size	
Solid Door		Window Door		A x B x C				H x W	
ANSI 61 Gray	RAL7035 Lt. Gray	ANSI 61 Gray	RAL7035 Lt. Gray	in.	mm			in.	mm
1084-SD	1084-SDLG	-	-	10 x 8 x 4	254 x 203 x 102	16/16	108P	8.00 x 6.00	203 x 152
1086-SD	1086-SDLG	-	-	10 x 8 x 6	254 x 203 x 152	16/16	108P	8.00 x 6.00	203 x 152
12106-SD	12106-SDLG	-	-	12 x 10 x 6	305 x 254 x 152	16/16	1210P	10.00 x 8.00	254 x 203
12126-SD	12126-SDLG	12126-SDW	12126-SDWLG	12 x 12 x 6	305 x 305 x 152	16/16	1212P	10.00 x 10.00	254 x 254
16126-SD	16126-SDLG	16126-SDW	16126-SDWLG	16 x 12 x 6	406 x 305 x 152	16/16	1612P	14.00 x 10.00	356 x 254
16166-SD	16166-SDLG	-	-	16 x 16 x 6	406 x 406 x 152	16/16	1616P	14.00 x 14.00	356 x 356
16206-SD	16206-SDLG	-	-	16 x 20 x 6	406 x 508 x 152	16/16	2016P	14.00 x 18.00	356 x 457
20166-SD	20166-SDLG	20166-SDW	20166-SDWLG	20 x 16 x 6	508 x 406 x 152	16/16	2016P	18.00 x 14.00	457 x 356
20206-SD	20206-SDLG	20206-SDW	20206-SDWLG	20 x 20 x 6	508 x 508 x 152	16/16	2020P	18.00 x 18.00	457 x 457
24166-SD	24166-SDLG	-	-	24 x 16 x 6	610 x 406 x 152	16/16	2416P	22.00 x 14.00	559 x 356
24206-SD	24206-SDLG	24206-SDW	-	24 x 20 x 6	610 x 508 x 152	16/16	2420P	22.00 x 18.00	559 x 457
24246-SD	24246-SDLG	24246-SDW	24246-SDWLG	24 x 24 x 6	610 x 610 x 152	14/16	2424P	22.00 x 22.00	559 x 559
16128-SD	16128-SDLG	16128-SDW	16128-SDWLG	16 x 12 x 8	406 x 305 x 203	16/16	1612P	14.00 x 10.00	356 x 254
16168-SD	16168-SDLG	-	-	16 x 16 x 8	406 x 406 x 203	16/16	1616P	14.00 x 14.00	356 x 356
16208-SD	16208-SDLG	-	-	16 x 20 x 8	406 x 508 x 203	16/16	2016P	14.00 x 18.00	356 x 457
20168-SD	20168-SDLG	20168-SDW	20168-SDWLG	20 x 16 x 8	508 x 406 x 203	16/16	2016P	18.00 x 14.00	457 x 356
20208-SD	20208-SDLG	20208-SDW	20208-SDWLG	20 x 20 x 8	508 x 508 x 203	16/16	2020P	18.00 x 18.00	457 x 457
20248-SD	20248-SDLG	-	-	20 x 24 x 8	508 x 610 x 203	16/16	2420P	18.00 x 22.00	457 x 559
24168-SD	24168-SDLG	-	-	24 x 16 x 8	610 x 406 x 203	16/16	2416P	22.00 x 14.00	559 x 356
24208-SD	24208-SDLG	24208-SDW	-	24 x 20 x 8	610 x 508 x 203	16/16	2420P	22.00 x 18.00	559 x 457
24248-SD	24248-SDLG	24248-SDW	24248-SDWLG	24 x 24 x 8	610 x 610 x 203	14/16	2424P	22.00 x 22.00	559 x 559
24308-SD	24308-SDLG	-	-	24 x 30 x 8	610 x 762 x 203	14/16	3024P	22.00 x 28.00	559 x 711
30208-SD	30208-SDLG	-	-	30 x 20 x 8	762 x 508 x 203	14/16	3020P	28.00 x 18.00	711 x 457
30248-SD	30248-SDLG	30248-SDW	30248-SDWLG	30 x 24 x 8	762 x 610 x 203	14/16	3024P	28.00 x 22.00	711 x 559
30308-SD	30308-SDLG	-	-	30 x 30 x 8	762 x 762 x 203	14/14	3030P	28.00 x 28.00	711 x 711
36248-SD	36248-SDLG	-	-	36 x 24 x 8	914 x 610 x 203	14/14	3624P	34.00 x 22.00	864 x 559
36308-SD	36308-SDLG	-	-	36 x 30 x 8	914 x 762 x 203	14/14	3630P	34.00 x 28.00	864 x 711
36368-SD	36368-SDLG	-	-	36 x 36 x 8	914 x 914 x 203	14/14	3636P	34.00 x 34.00	864 x 864
161210-SD	161210-SDLG	161210-SDW	-	16 x 12 x 10	406 x 305 x 254	16/16	1612P	14.00 x 10.00	356 x 254
161610-SD	161610-SDLG	-	-	16 x 16 x 10	406 x 406 x 254	16/16	1616P	14.00 x 14.00	356 x 356
162010-SD	162010-SDLG	-	-	16 x 20 x 10	406 x 508 x 254	16/16	2016P	14.00 x 18.00	356 x 457
201610-SD	201610-SDLG	201610-SDW	201610-SDWLG	20 x 16 x 10	508 x 406 x 254	16/16	2016P	18.00 x 14.00	457 x 356
202010-SD	202010-SDLG	202010-SDW	202010-SDWLG	20 x 20 x 10	508 x 508 x 254	16/16	2020P	18.00 x 18.00	457 x 457
202410-SD	202410-SDLG	-	-	20 x 24 x 10	508 x 610 x 254	16/16	2420P	18.00 x 22.00	457 x 559
241610-SD	241610-SDLG	-	-	24 x 16 x 10	610 x 406 x 254	16/16	2416P	22.00 x 14.00	559 x 356
242010-SD	242010-SDLG	242010-SDW	242010-SDWLG	24 x 20 x 10	610 x 508 x 254	16/16	2420P	22.00 x 18.00	559 x 457
242410-SD	242410-SDLG	242410-SDW	242410-SDWLG	24 x 24 x 10	610 x 610 x 254	14/16	2424P	22.00 x 22.00	559 x 559
243010-SD	243010-SDLG	-	-	24 x 30 x 10	610 x 762 x 254	14/16	3024P	22.00 x 28.00	559 x 711
302010-SD	302010-SDLG	-	-	30 x 20 x 10	762 x 508 x 254	14/16	3024P	28.00 x 18.00	711 x 457
302410-SD	302410-SDLG	302410-SDW	302410-SDWLG	30 x 24 x 10	762 x 610 x 254	14/16	3024P	28.00 x 22.00	711 x 559
303010-SD	303010-SDLG	-	-	30 x 30 x 10	762 x 762 x 254	14/14	3030P	28.00 x 28.00	711 x 711
362410-SD	362410-SDLG	-	-	36 x 24 x 10	914 x 610 x 254	14/14	3624P	34.00 x 22.00	864 x 559
363010-SD	363010-SDLG	-	-	36 x 30 x 10	914 x 762 x 254	14/14	3630P	34.00 x 28.00	864 x 711
423010-SD	-	-	-	42 x 30 x 10	1067 x 762 x 254	14/14	4230P	40.00 x 28.00	1016 x 711
363610-SD	363610-SDLG	-	-	36 x 36 x 10	914 x 914 x 254	14/14	3636P	34.00 x 34.00	864 x 864
423610-SD	423610-SDLG	-	-	42 x 36 x 10	1067 x 914 x 254	14/14	4236P	40.00 x 34.00	1016 x 864
482410-SD	482410-SDLG	-	-	48 x 24 x 10	1219 x 610 x 254	14/14	4824P	46.00 x 22.00	1168 x 559
483010-SD	-	-	-	48 x 30 x 10	1219 x 762 x 254	14/14	3048P	46.00 x 28.00	1168 x 711
483610-SD	483610-SDLG	-	-	48 x 36 x 10	1219 x 914 x 254	14/14	4836P	46.00 x 34.00	1168 x 864
603610-SD	603610-SDLG	-	-	60 x 36 x 10	1524 x 914 x 254	14/14	6036P	58.00 x 34.00	1473 x 86
202012-SD	202012-SDLG	202012-SDW	202012-SDWLG	20 x 20 x 12	508 x 508 x 305	16/16	2020P	18.00 x 18.00	457 x 457
242012-SD	242012-SDLG	242012-SDW	242012-SDWLG	24 x 20 x 12	610 x 508 x 305	16/16	2420P	22.00 x 18.00	559 x 457
242412-SD	242412-SDLG	242412-SDW	242412-SDWLG	24 x 24 x 12	610 x 610 x 305	14/16	2424P	22.00 x 22.00	559 x 559

Notes: Dimensions are in inches. Millimeters shown are for reference only. Data subject to change without notice.

Wall-Mount Enclosures Type 4 Premier™ Series with Quarter-Turn Latches Catalog Number cont. from page 146

Enclosure Catalog Number				Mounting		Window Size		Latch Quantity	J		K	
Solid Door		Window Door		D x E		F x G			in.	mm		
ANSI 61 Gray	RAL7035 Lt. Gray	ANSI 61 Gray	RAL7035 Lt. Gray	in.	mm	in.	mm					
1084-SD	1084-SDLG	-	-	8.50 x 6.37	216 x 162	-	-	1	--	--	5.00	127
1086-SD	1086-SDLG	-	-	8.50 x 6.37	216 x 162	-	-	1	--	--	5.00	127
12106-SD	12106-SDLG	-	-	10.50 x 8.37	267 x 213	-	-	1	--	--	6.00	152
12126-SD	12126-SDLG	12126-SDW	12126-SDWLG	10.50 x 10.37	267 x 264	8.25 x 7.00	210 x 178	1	--	--	6.00	152
16126-SD	16126-SDLG	16126-SDW	16126-SDWLG	14.50 x 10.37	368 x 264	12.25 x 7.00	311 x 178	1	--	--	8.00	203
16166-SD	16166-SDLG	-	-	14.50 x 14.37	368 x 365	-	-	1	--	--	8.00	203
16206-SD	16206-SDLG	-	-	14.50 x 18.37	368 x 467	-	-	1	--	--	8.00	203
20166-SD	20166-SDLG	20166-SDW	20166-SDWLG	18.50 x 14.37	470 x 365	16.25 x 11.00	413 x 279	1	--	--	10.00	254
20206-SD	20206-SDLG	20206-SDW	20206-SDWLG	18.50 x 18.37	470 x 467	16.25 x 15.00	413 x 381	1	--	--	10.00	254
24166-SD	24166-SDLG	-	-	22.50 x 14.37	572 x 365	-	-	1	--	--	12.00	305
24206-SD	24206-SDLG	24206-SDW	-	22.50 x 18.37	572 x 467	20.25 x 15.00	514 x 381	1	--	--	12.00	305
24246-SD	24246-SDLG	24246-SDW	24246-SDWLG	22.50 x 22.37	572 x 568	20.25 x 17.62	514 x 448	1	--	--	12.00	305
16128-SD	16128-SDLG	16128-SDW	16128-SDWLG	14.50 x 10.37	368 x 264	12.25x7.00	311x178	1	--	--	8.00	203
16168-SD	16168-SDLG	-	-	14.50 x 14.37	368 x 365	-	-	1	--	--	8.00	203
16208-SD	16208-SDLG	-	-	14.50 x 18.37	368 x 467	-	-	1	--	--	8.00	202
20168-SD	20168-SDLG	20168-SDW	20168-SDWLG	18.50 x 14.37	470 x 365	16.25 x 11.00	413 x 279	1	--	--	10.00	254
20208-SD	20208-SDLG	20208-SDW	20208-SDWLG	18.50 x 18.37	470 x 467	16.25 x 15.00	413 x 381	1	--	--	10.00	254
20248-SD	20248-SDLG	-	-	18.50 x 22.37	470 x 568	-	-	1	--	--	10.00	254
24168-SD	24168-SDLG	-	-	22.50 x 14.37	572 x 365	-	-	1	--	--	12.00	305
24208-SD	24208-SDLG	24208-SDW	-	22.50 x 18.37	572 x 467	20.25 x 15.00	514 x 381	1	--	--	12.00	305
24248-SD	24248-SDLG	24248-SDW	24248-SDWLG	22.50 x 22.37	572 x 568	20.25 x 17.62	514 x 448	2	5.00	127	--	--
24308-SD	24308-SDLG	-	-	22.50 x 28.37	572 x 721	-	-	2	5.00	127	--	--
30208-SD	30208-SDLG	-	-	28.50 x 18.37	724 x 467	-	-	2	5.00	127	--	--
30248-SD	30248-SDLG	30248-SDW	30248-SDWLG	28.50 x 22.37	724 x 568	26.25 x 17.62	667 x 448	2	5.00	127	--	--
30308-SD	30308-SDLG	-	-	28.50 x 28.37	724 x 721	-	-	2	5.00	127	--	--
36248-SD	36248-SDLG	-	-	34.50 x 22.37	876 x 568	-	-	2	5.00	127	--	--
36308-SD	36308-SDLG	-	-	34.50 x 28.37	876 x 721	-	-	2	5.00	127	--	--
36368-SD	36368-SDLG	-	-	34.50 x 34.37	876 x 873	-	-	2	5.00	127	--	--
161210-SD	161210-SDLG	161210-SDW	-	14.50 x 10.37	368 x 264	12.25 x 7.00	311 x 178	1	--	--	8.00	203
161610-SD	161610-SDLG	-	-	14.50 x 14.37	368 x 365	-	-	1	--	--	8.00	203
162010-SD	162010-SDLG	-	-	14.50 x 18.37	368 x 467	-	-	1	--	--	8.00	203
201610-SD	201610-SDLG	201610-SDW	201610-SDWLG	18.50 x 14.37	470 x 365	16.25 x 11.00	413 x 279	1	--	--	10.00	254
202010-SD	202010-SDLG	202010-SDW	202010-SDWLG	18.50 x 18.37	470 x 467	16.25 x 15.00	413 x 381	1	--	--	10.00	254
202410-SD	202410-SDLG	-	-	18.50 x 22.37	470 x 568	-	-	1	--	--	10.00	254
241610-SD	241610-SDLG	-	-	22.50 x 14.37	572 x 365	-	-	1	--	--	12.00	305
242010-SD	242010-SDLG	242010-SDW	242010-SDWLG	22.50 x 18.37	572 x 467	20.25 x 15.00	514 x 381	1	--	--	12.00	305
242410-SD	242410-SDLG	242410-SDW	242410-SDWLG	22.50 x 22.37	572 x 568	20.25 x 17.62	514 x 448	2	5.00	127	--	--
243010-SD	243010-SDLG	-	-	22.50 x 28.37	572 x 721	-	-	2	5.00	127	--	--
302010-SD	302010-SDLG	-	-	28.50 x 18.37	724 x 467	-	-	2	5.00	127	--	--
302410-SD	302410-SDLG	302410-SDW	302410-SDWLG	28.50 x 22.37	724 x 568	26.25 x 17.62	667 x 448	2	5.00	127	--	--
303010-SD	303010-SDLG	-	-	28.50 x 28.37	724 x 721	-	-	2	5.00	127	--	--
362410-SD	362410-SDLG	-	-	34.50 x 22.37	876 x 568	-	-	2	5.00	127	--	--
363010-SD	363010-SDLG	-	-	34.50 x 28.37	876 x 721	-	-	2	5.00	127	--	--
423010-SD	-	-	-	40.50 x 28.37	1029 x 721	-	-	3PT	--	--	21.00	533
363610-SD	363610-SDLG	-	-	34.50 x 34.37	876 x 873	-	-	2	5.00	127	--	--
423610-SD	423610-SDLG	-	-	40.50 x 34.37	1029 x 873	-	-	3PT	--	--	21.00	533
482410-SD	482410-SDLG	-	-	46.50 x 22.37	1181 x 568	-	-	3PT	--	--	24.00	609
483010-SD	-	-	-	46.50 x 28.37	1181 x 721	-	-	3PT	--	--	24.00	609
483610-SD	483610-SDLG	-	-	46.50 x 34.37	1181 x 873	-	-	3PT	--	--	24.00	609
603610-SD	603610-SDLG	-	-	58.50 x 34.37	1486 x 873	-	-	3PT	--	--	30.00	762
202012-SD	202012-SDLG	202012-SDW	202012-SDWLG	18.50 x 18.37	470 x 467	16.25 x 15.00	413 x 381	1	--	--	10.00	254
242012-SD	242012-SDLG	242012-SDW	242012-SDWLG	22.50 x 18.37	572 x 467	20.25 x 15.00	514 x 381	1	--	--	12.00	305
242412-SD	242412-SDLG	242412-SDW	242412-SDWLG	22.50 x 22.37	572 x 568	20.25 x 17.62	514 x 448	2	5.00	127	--	--

Notes: Dimensions are in inches. Millimeters shown are for reference only. Data subject to change without notice.

Type 4 Panel Enclosures

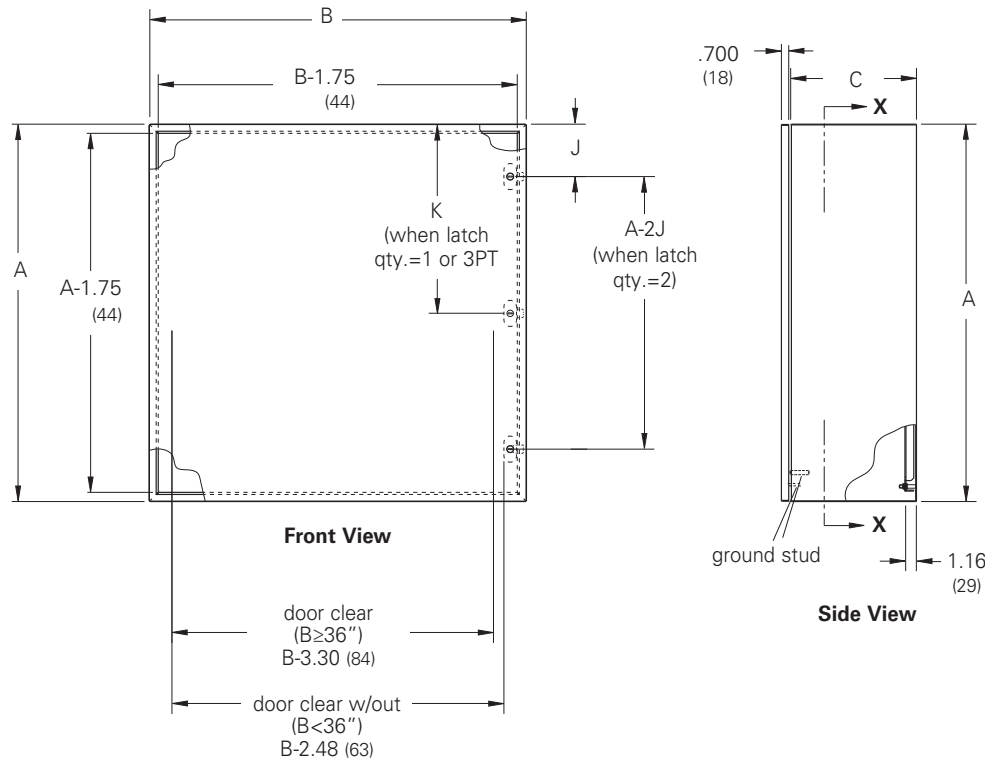
Type 4 Panel Enclosures

Wall-Mount Enclosures Type 4 Premier™ Series with Quarter-Turn Latches Catalog Number

Enclosure Catalog Number				Enclosure Size		Door/Body Gauge	Panel Catalog Number	Panel Size	
Solid Door		Window Door		A x B x C				H x W	
ANSI 61 Gray	RAL7035 Lt. Gray	ANSI 61 Gray	RAL7035 Lt. Gray	in.	mm			in.	mm
302412-SD	302412-SDLG	302412-SDW	302412-SDWLG	30 x 24 x 12	762 x 610 x 305	14/16	3024P	28.00 x 22.00	711 x 559
303012-SD	303012-SDLG	-	-	30 x 30 x 12	762 x 762 x 305	14/14	3030P	28.00 x 28.00	711 x 711
362412-SD	362412-SDLG	-	-	36 x 24 x 12	914 x 610 x 305	14/14	3624P	34.00 x 22.00	864 x 559
363012-SD	363012-SDLG	-	-	36 x 30 x 12	914 x 762 x 305	14/14	3630P	34.00 x 28.00	864 x 711
423012-SD	423012-SDLG	-	-	42 x 30 x 12	1067 x 762 x 305	14/14	4230P	40.00 x 28.00	1016 x 711
363612-SD	363612-SDLG	-	-	36 x 36 x 12	914 x 914 x 305	14/14	3636P	34.00 x 34.00	864 x 864
423612-SD	423612-SDLG	-	-	42 x 36 x 12	1067 x 914 x 305	14/14	4236P	40.00 x 34.00	1016 x 864
482412-SD	482412-SDLG	-	-	48 x 24 x 12	1219 x 610 x 305	14/14	4824P	46.00 x 22.00	1168 x 559
483612-SD	483612-SDLG	-	-	48 x 36 x 12	1219 x 914 x 305	14/14	4836P	46.00 x 34.00	1168 x 864
603612-SD	603612-SDLG	-	-	60 x 36 x 12	1524 x 914 x 305	14/14	6036P	58.00 x 34.00	1473 x 864
242016-SD	-	-	-	24 x 20 x 16	610 x 508 x 406	14/14	2420P	22.00 x 18.00	559 x 457
242416-SD	242416-SDLG	242416-SDW	242416-SDWLG	24 x 24 x 16	610 x 610 x 406	14/14	2424P	22.00 x 22.00	559 x 559
302416-SD	-	-	-	30 x 24 x 16	762 x 610 x 406	14/14	3024P	28.00 x 22.00	711 x 559
362416-SD	-	-	-	36 x 24 x 16	914 x 610 x 406	14/14	3624P	34.00 x 22.00	864 x 559
363016-SD	363016-SDLG	-	-	36 x 30 x 16	914 x 762 x 406	14/14	3630P	34.00 x 28.00	864 x 711
423616-SD	-	-	-	42 x 36 x 16	1067 x 914 x 406	14/14	4236P	40.00 x 34.00	1016 x 864
483616-SD	483616-SDLG	-	-	48 x 36 x 16	1219 x 914 x 406	14/14	4836P	46.00 x 34.00	1168 x 864
603616-SD	-	-	-	60 x 36 x 16	1524 x 914 x 406	14/14	6036P	58.00 x 34.00	1473 x 864
242420-SD	242420-SDLG	242420-SDW	242420-SDWLG	24 x 24 x 20	610 x 610 x 508	14/14	2424P	22.00 x 22.00	559 x 559
302420-SD	302420-SDLG	302420-SDW	302420-SDWLG	30 x 24 x 20	762 x 610 x 508	14/14	3024P	28.00 x 22.00	711 x 559
363020-SD	363020-SDLG	-	-	36 x 30 x 20	914 x 762 x 508	14/14	3630P	34.00 x 28.00	864 x 711
483620-SD	-	-	-	48 x 36 x 20	1219 x 914 x 508	14/14	4836P	46.00 x 34.00	1168 x 864
603620-SD	-	-	-	60 x 36 x 20	1524 x 914 x 508	14/14	6036P	58.00 x 34.00	1473 x 864

Type 4 Panel Enclosures

Illustration Without Window

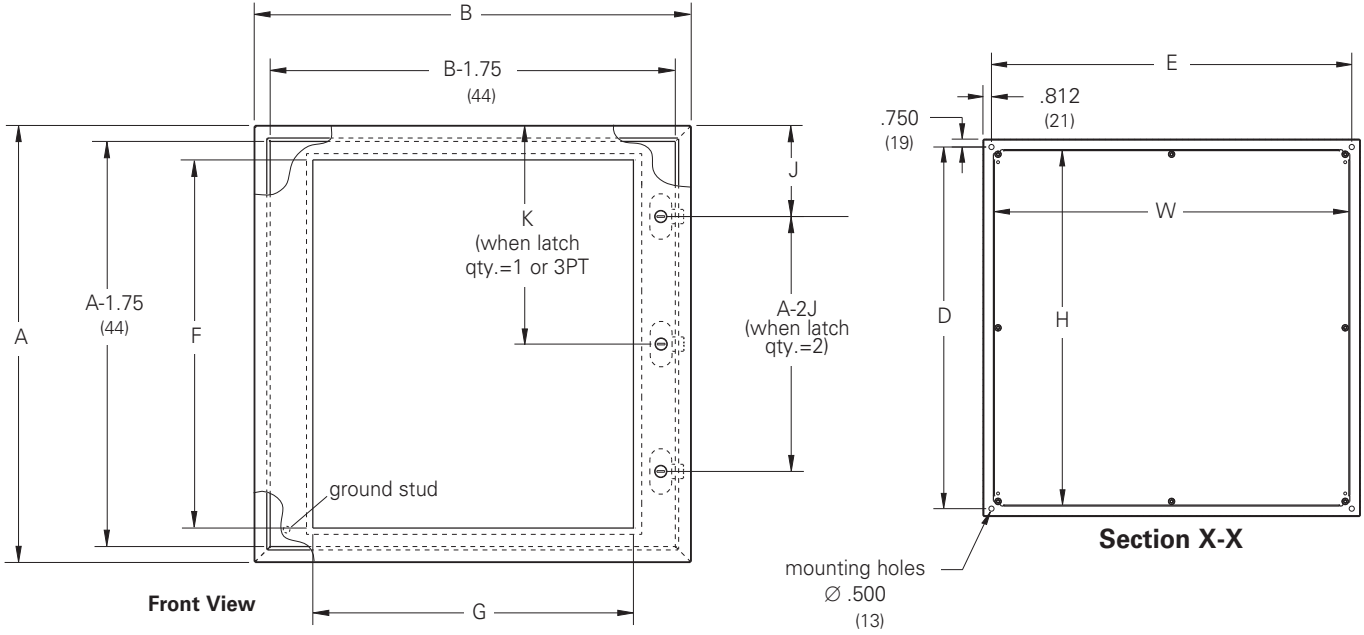


Notes: Dimensions are in inches. Millimeters shown are for reference only. Data subject to change without notice.

Wall-Mount Enclosures Type 4 Premier™ Series with Quarter-Turn Latches Catalog Number cont. from page 148

Enclosure Catalog Number				Mounting		Window Size		Latch Quantity	J		K	
Solid Door		Window Door		D x E		F x G			in.	mm	K	
ANSI 61 Gray	RAL7035 Lt. Gray	ANSI 61 Gray	RAL7035 Lt. Gray	in.	mm	in.	mm					
302412-SD	302412-SDLG	302412-SDW	302412-SDWLG	28.50 x 22.37	724 x 568	26.25 x 17.62	667 x 448	2	5.00	127	--	--
303012-SD	303012-SDLG	-	-	28.50 x 28.37	724 x 721	-	-	2	5.00	127	--	--
362412-SD	362412-SDLG	-	-	34.50 x 22.37	876 x 568	-	-	2	5.00	127	--	--
363012-SD	363012-SDLG	-	-	34.50 x 28.37	876 x 721	-	-	2	5.00	127	--	--
423012-SD	423012-SDLG	-	-	40.50 x 28.37	1029 x 721	-	-	3PT	--	--	21.00	533
363612-SD	363612-SDLG	-	-	34.50 x 34.37	876 x 873	-	-	2	5.00	127	--	--
423612-SD	423612-SDLG	-	-	40.50 x 34.37	1029 x 873	-	-	3PT	--	--	21.00	533
482412-SD	482412-SDLG	-	-	46.50 x 22.37	1181 x 568	-	-	3PT	--	--	24.00	609
483612-SD	483612-SDLG	-	-	46.50 x 34.37	1181 x 873	-	-	3PT	--	--	24.00	609
603612-SD	603612-SDLG	-	-	58.50 x 34.37	1486 x 873	-	-	3PT	--	--	30.00	762
242016-SD	-	-	-	22.50 x 18.37	572 x 467	-	-	2	5.00	127	--	--
242416-SD	242416-SDLG	242416-SDW	242416-SDWLG	22.50 x 22.37	572 x 568	20.25 x 17.62	514 x 448	2	5.00	127	--	--
302416-SD	-	-	-	28.50 x 22.37	725 x 568	-	-	2	5.00	127	--	--
362416-SD	-	-	-	34.50 x 22.37	876 x 568	-	-	2	5.00	127	--	--
363016-SD	363016-SDLG	-	-	34.50 x 28.37	876 x 721	-	-	2	5.00	127	--	--
423616-SD	-	-	-	40.50 x 34.37	1029 x 873	-	-	3PT	--	--	21.00	533
483616-SD	483616-SDLG	-	-	46.50 x 34.37	1181 x 873	-	-	3PT	--	--	24.00	609
603616-SD	-	-	-	58.50 x 34.37	1486 x 873	-	-	3PT	--	--	30.00	762
242420-SD	242420-SDLG	242420-SDW	242420-SDWLG	22.50 x 22.37	572 x 568	20.25 x 17.62	514 x 448	2	5.00	127	--	--
302420-SD	302420-SDLG	302420-SDW	302420-SDWLG	28.50 x 22.37	724 x 568	26.25 x 17.62	667 x 448	2	5.00	127	--	--
363020-SD	363020-SDLG	-	-	34.50 x 28.37	876 x 721	-	-	2	5.00	127	--	--
483620-SD	-	-	-	46.50 x 34.37	1181 x 873	-	-	3PT	--	--	24.00	609
603620-SD	-	-	-	58.50 x 34.37	1486 x 873	-	-	3PT	--	--	30.00	762

Illustration With Window



Notes: Dimensions are in inches. Millimeters shown are for reference only. Data subject to change without notice.

Type 4 Panel Enclosures

Wall-Mount Enclosures

Type 4 Premier™ Series Flush-Mount with Quarter-Turn Latches Data Sheet



Application

- Houses electrical controls and instruments
- Intended for indoor or outdoor use
- Protects against circulating and windblown dust, falling dirt, dripping non-corrosive liquids, rain, splashing water and hose directed water

Standards

- UL 508A Listed, Type 4 and Type 12
- cUL Listed, Type 4 and Type 12
- Conforms to NEMA standard for Type 4 and Type 12

Finish

- Wash and phosphate undercoat
- ANSI 61 gray polyester powder finish

Accessories

- Premier panels
- Security latch inserts
- NEMA panel adapters
- Mounting foot kits
- Depth adjustment brackets
- EIA/TIA rack mounting angles
- Print pockets
- Swing-out panels
- Padlockable or keyed handles
- See Accessories section, pages 154-159

Construction

- Enclosure and door are fabricated from code gauge steel (see page 151)
- All continuous welded seams are finished smooth
- Hardware kit provided contains grounding hardware, .312-18 flanged hex nuts for panel mounting, and sealing washers for body mounting holes

Body Construction

- Body flange trough design is formed around body opening to divert liquid contaminants away from door opening
- Reduced width flange design increases enclosure opening
- Ground stud provided on enclosure body and on door
- .312-18 collar studs are provided for mounting optional Premier panels
- Enclosure mounting holes in body provided for direct mounting or optional mounting feet

Door Construction

- Doors are secured to the body with a concealed hinge design on one side and slotted quarter-turn flush latch(es) on the opposite side
- Flush cover for recessed wall-mounting
- Doors are easily removed and interchangeable
- Door has a seamless poured in-place gasket
- Door opens 90° for easy access

Discount Schedule: C2

Subclass: TC0

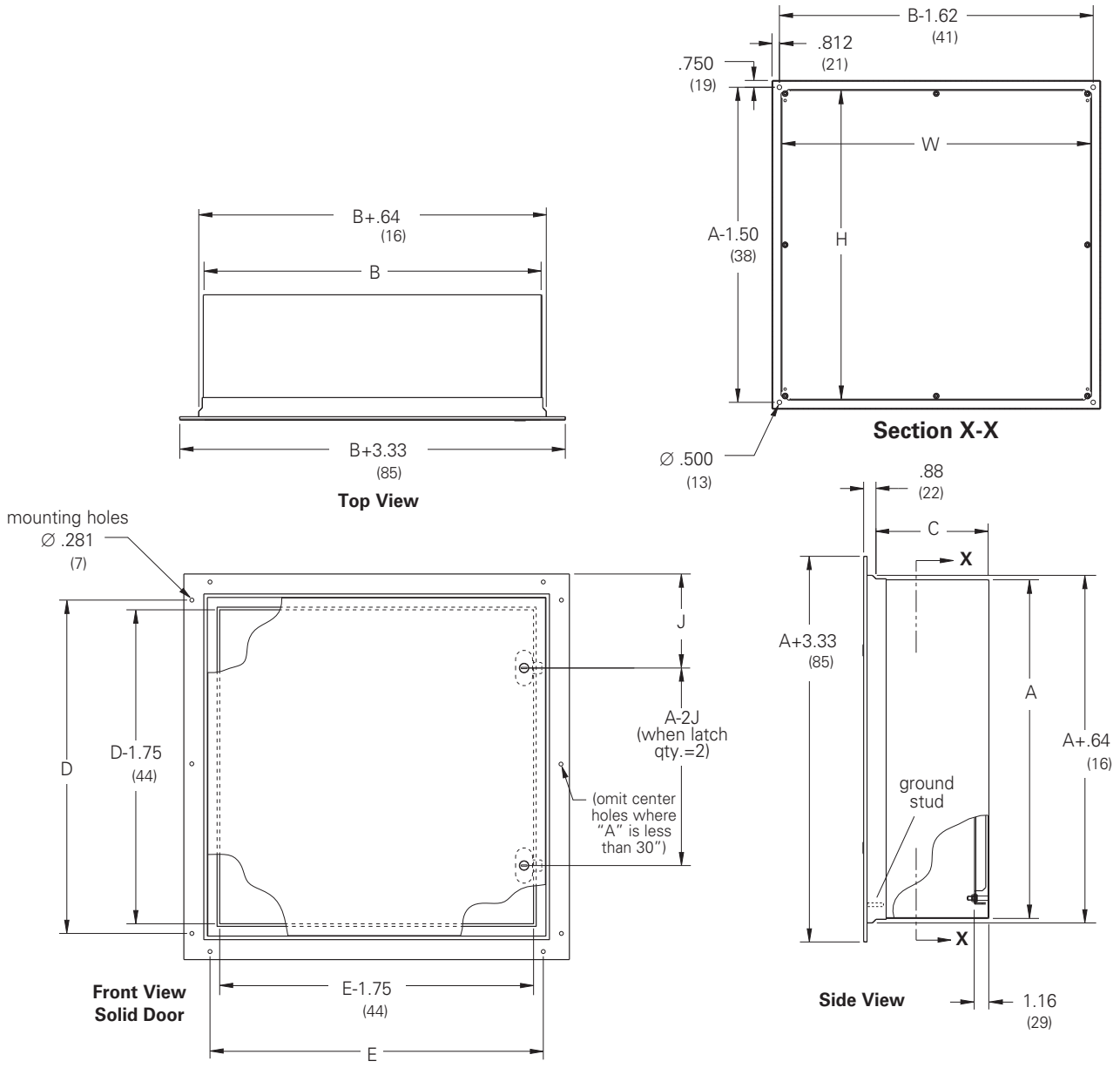
Notes: We can provide special sizes, finishes and other modifications. Consult the factory for your special requirements.

Wall-Mount Enclosures

Type 4 Premier™ Series Flush-Mount with Quarter-Turn Latches

Illustration Sheet and Catalog Number

Enclosure Catalog Number	Enclosure Size		Door/Body Gauge	Panel Catalog Number	Panel Size		Mounting		Latch Qty.	J	
	A x B x C				H x W	D x E	in.	mm		in.	mm
12126-FM	12x12x6	305x305x152	16/16	1212P	10.00x10.00	254x254	11.62x11.62	295x295	1	6.00	152
16126-FM	16x12x6	406x305x152	16/16	1612P	14.00x10.00	356x254	15.62x11.62	397x295	1	8.00	203
20166-FM	20x16x6	508x406x152	16/16	2016P	18.00x14.00	457x356	19.62x15.62	498x397	1	10.00	254
20206-FM	20x20x6	508x508x152	16/16	2020P	18.00x18.00	457x457	19.62x19.62	498x498	1	10.00	254
24208-FM	24x20x8	610x508x152	16/16	2420P	22.00x18.00	559x457	23.62x19.62	600x498	1	5.00	127
24248-FM	24x24x8	610x610x152	14/16	2424P	22.00x22.00	559x559	23.62x23.62	600x600	2	5.00	127
30248-FM	30x24x8	762x610x152	14/16	3024P	28.00x22.00	711x559	29.62x23.62	752x600	2	5.00	127



Type 4 Panel Enclosures

Notes: Dimensions are in inches. Millimeters shown are for reference only. Data subject to change without notice.

Panel Enclosures

Wall-Mount Enclosures

Type 12 Premier™ Series Double-Door with Quarter-Turn Latches

Data Sheet



Application

- Houses electrical controls and instruments
- Protects against circulating and windblown dust, falling dirt and dripping non-corrosive liquids

Standards

- UL 508A Listed, Type 12
- cUL Listed, Type 12
- Conforms to NEMA standard for Type 12
- Wall-mounting bracket required to maintain UL/CSA external mounting requirements

Finish

- Wash and phosphate undercoat
- ANSI 61 gray polyester powder finish

Accessories

- Premier panels
- NEMA panel adapters
- Depth adjustment brackets
- Print pockets
- Single point padlockable or keyed handles
- 3-point (3PT) handle: SD-KHB
- Security latch inserts
- Mounting foot kits
- See Accessories section, pages 154-159

Construction

- Enclosure and door are fabricated from code gauge steel (see page 153)
- All continuous welded seams are finished smooth
- Hardware kit provided contains grounding hardware, .312-18 flanged hex nuts for panel mounting, and sealing washers for body mounting holes

Body Construction

- Body flange trough design is formed around body opening to divert liquid contaminants away from door opening
- Reduced width flange design increases enclosure opening
- Ground stud provided on enclosure body and on door
- .312-18 collar studs are provided for mounting optional Premier panels
- Enclosure mounting holes in body provided for direct mounting or optional mounting feet

Door Construction

- Doors are secured to the body with a concealed hinge design on one side and a slotted quarter-turn 3-point latching system which closes the left side door over the right
- Doors are easily removed and interchangeable
- Door opens 180° for easy access
- Doors have a fixed, oil-resistant gasket

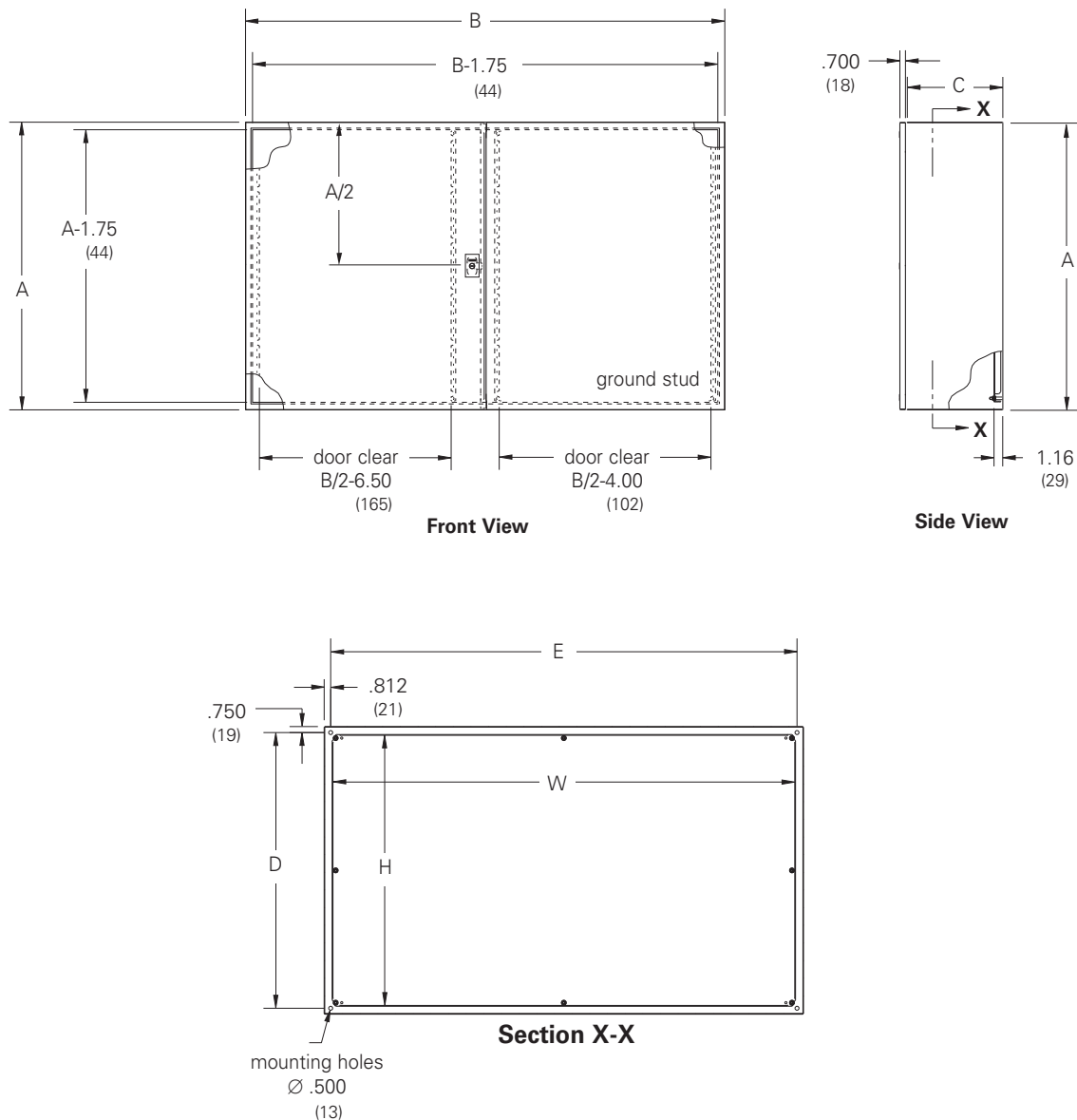
Discount Schedule: C2

Subclass: TC0

Notes: We can provide special sizes, finishes and other modifications. Consult the factory for your special requirements.

Wall-Mount Enclosures Type 12 Premier™ Series Double-Door with Quarter-Turn Latches Illustration Sheet and Catalog Number

Enclosure Catalog Number Solid Door	Enclosure Size A x B x C		Door/Body Gauge	Panel Catalog Number	Panel Size H x W		Mounting D x E		Latch Qty.
	in.	mm			in.	mm	in.	mm	
24428-TD	24x42x8	610x1067x203	14/14	2442P	22.00x40.00	559x1016	22.50x40.37	572x1026	3PT
30488-TD	30x48x8	762x1219x203	14/14	3048P	28.00x46.00	711x1168	28.50x46.37	724x1178	3PT
306012-TD	30x60x12	762x1524x305	14/14	3060P	28.00x58.00	711x1473	28.50x58.37	724x1483	3PT
364812-TD	36x48x12	914x1219x305	14/14	4836P	34.00x46.00	864x1168	34.50x46.37	876x1178	3PT
366012-TD	36x60x12	914x1524x305	14/14	6036P	34.00x58.00	864x1473	34.50x58.37	876x1483	3PT



Type 4 Panel Enclosures

Notes: Dimensions are in inches. Millimeters shown are for reference only. Data subject to change without notice.

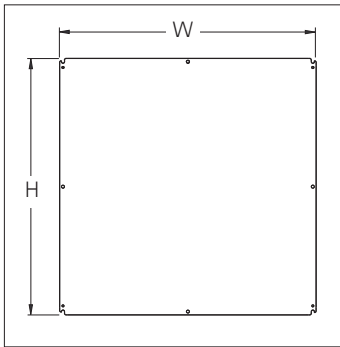
Type 4 Panel Enclosures

Premier™ Series Accessories

Discount Schedule: C2

Panels Subclass: TDP

Premier panels can be installed in any Premier Series enclosure and are up to 20% larger than standard NEMA panels. Panels above 24" are flanged. Steel panels have a white polyester powder paint finish. Stainless Steel and conductive galvanized sizes are available as shown in chart.



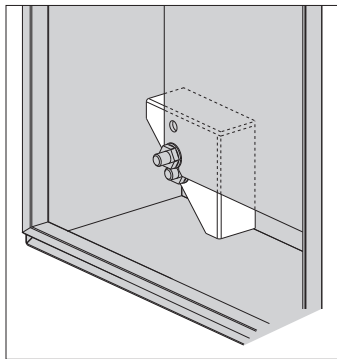
Catalog Number			Panel Size H x W		Gauge
Conductive	Steel	Stainless	in.	mm	
108GP	108P	108PSS4	8.00 x 6.00	203 x 152	14
1210GP	1210P	1210PSS4	10.00 x 8.00	254 x 203	14
1212GP	1212P	1212PSS4	10.00 x 10.00	254 x 254	14
1612GP	1612P	1612PSS4	14.00 x 10.00	356 x 254	14
1616GP	1616P	1616PSS4	14.00 x 14.00	356 x 356	12
2016GP	2016P	2016PSS4	18.00 x 14.00	457 x 356	12
2020GP	2020P	2020PSS4	18.00 x 18.00	457 x 457	12
2416GP	2416P	2416PSS4	22.00 x 14.00	559 x 356	12
2420GP	2420P	2420PSS4	22.00 x 18.00	559 x 457	12
2424GP	2424P	2424PSS4	22.00 x 22.00	559 x 559	12
2442GP	2442P	2442PSS4	22.00 x 40.00	559 x 1016	12
3020GP	3020P	3020PSS4	28.00 x 18.00	711 x 457	12
3024GP	3024P	3024PSS4	28.00 x 22.00	711 x 559	12
3030GP	3030P	3030PSS4	28.00 x 28.00	711 x 711	12
3048GP	3048P	3048PSS4	28.00 x 46.00	711 x 1168	12
3060GP	3060P	3060PSS4	28.00 x 58.00	711 x 1473	12
3624GP	3624P	3624PSS4	34.00 x 22.00	864 x 559	12
3630GP	3630P	3630PSS4	34.00 x 28.00	864 x 711	12
3636GP	3636P	3636PSS4	34.00 x 34.00	864 x 864	12
4230GP	4230P	4230PSS4	40.00 x 28.00	1016 x 711	12
4236GP	4236P	4236PSS4	40.00 x 34.00	1016 x 864	12
4824GP	4824P	4824PSS4	46.00 x 22.00	1168 x 559	12
4836GP	4836P	4836PSS4	46.00 x 34.00	1168 x 864	12
6036GP	6036P	6036PSS4	58.00 x 34.00	1473 x 864	12

NEMA Panel Adapters Subclass: TD0

NEMA panel adapters allow standard NEMA panels to be used in Premier series enclosures. Decreased height and width of NEMA panels increase space around panel for wire management. Kit includes four adapters and four .375-16 flanged hex nuts.

Finish: Zinc Plated

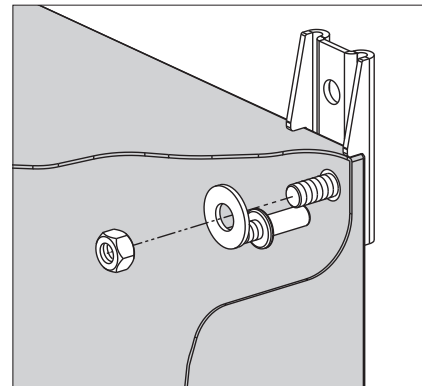
(Note: Cannot be used with enclosures 12" x 12" (305 mm x 305 mm) or smaller.)



Catalog Number	Qty.	For use with Premier Enclosures
PCK4	4	30" x 30" or smaller

Mounting Foot Kits Subclass: TD0

Mounting foot kits are available in stainless steel. Four feet and hardware are included.



Catalog Number	Qty.	Description
WMK	4	Zinc Plated Steel

Notes: Dimensions are in inches. Millimeters shown are for reference only. Data subject to change without notice.

Premier™ Series Accessories

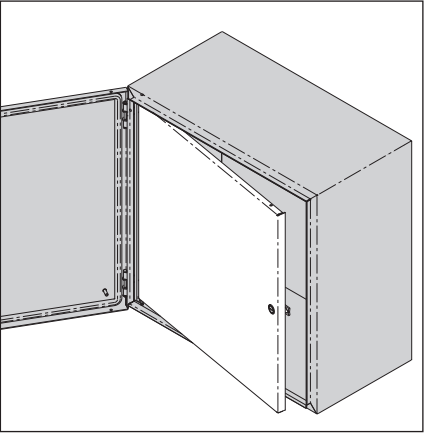
Discount Schedule: C2

Subclass: TD0

Swing-Out Panels

Swing-out panels offer a means for mounting user components and equipment near the front of an enclosure opening. Panel pivots from front of enclosure to allow easy access to internal equipment. Swing-out panels are 14 gauge with a white polyester powder finish and includes all hardware for mounting to front flange of enclosure.

(Note: Cannot be used in conjunction with depth adjustment brackets).



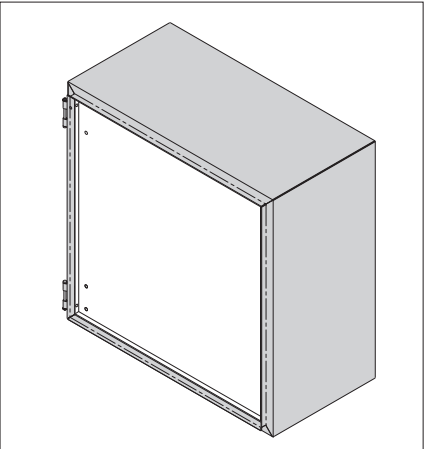
Note: Swing-out panel distance from panel face to inside of enclosure cover equals 1 1/4".

Catalog Number	Panel Size		For use with Premier Enclosures A x B
	Height	Width	
1212SP	9.78 x 9.84	248 x 250	12"x12"
1612SP	13.78 x 9.84	350 x 250	16"x12"
1616SP	13.78 x 13.84	350 x 352	16"x16"
1620SP	13.78 x 17.84	350 x 453	16"x20"
2016SP	17.78 x 13.84	452 x 352	20"x16"
2020SP	17.78 x 17.84	452 x 453	20"x20"
2024SP	17.78 x 21.84	452 x 555	20"x24"
2416SP	21.78 x 13.84	553 x 352	24"x16"
2420SP	21.78 x 17.84	553 x 453	24"x20"
2424SP	21.78 x 21.84	553 x 555	24"x24"
3020SP	27.78 x 17.84	706 x 453	30"x20"
3024SP	27.78 x 21.84	706 x 555	30"x24"
3030SP	27.78 x 27.84	706 x 707	30"x30"
3624SP	33.78 x 21.84	858 x 555	36"x24"
3630SP	33.78 x 27.84	858 x 707	36"x30"
3636SP	33.78 x 33.84	858 x 860	36"x36"

Dead Front Panels

Dead front kits offer a means for mounting user components and equipment near the front of an enclosure opening. Also, creates a barrier and controls access to the enclosure interior. Kit includes ANSI 61 gray panel and all hardware for mounting to enclosures.

(Note: Cannot be used in conjunction with depth adjustment brackets).

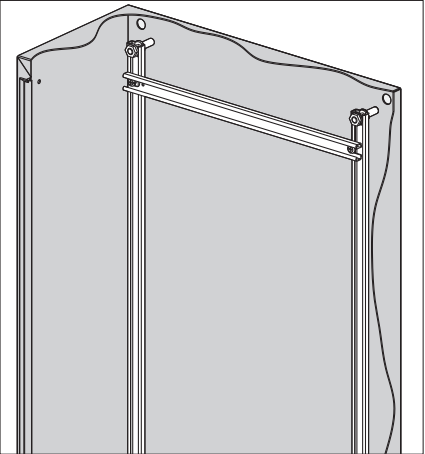


Note: Dead front panel distance from panel face to inside of enclosure cover equals 1 1/4".

Catalog Number	For use with Premier Enclosures A x B
1612DF	16"x12"
2016DF	20"x16"
2020DF	20"x20"
2420DF	24"x20"
2424DF	24"x24"
3024DF	30"x24"

Mounting Channels

Mounting channels create a vertical or horizontal framework for DIN rail, flexible mounting straps, or other component attachment. Two channels provided for mounting on enclosure collar studs. Finish: Zinc Plated



Catalog Number	Qty.	For use with Premier Enclosures
16MC	2	16" height or width
20MC	2	20" height or width
24MC	2	24" height or width
30MC	2	30" height or width
36MC	2	36" height or width
42MC	2	42" height or width
48MC	2	48" height or width
60MC	2	60" height or width

Type 4 Panel Enclosures

Notes: Dimensions are in inches. Millimeters shown are for reference only. Data subject to change without notice.

Type 4 Panel Enclosures

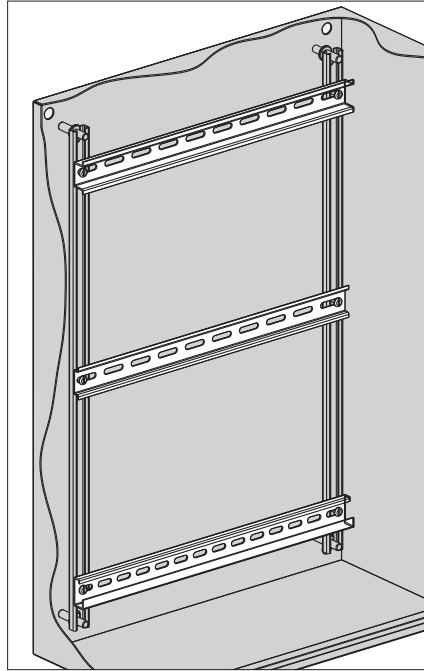
Premier™ Series Accessories

Discount Schedule: C2

Subclass: TD0

DIN Rail Kits

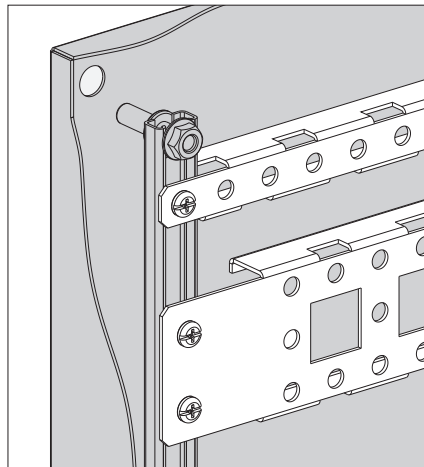
DIN rail kits provide flexibility for mounting DIN type snap-on equipment. Three styles; TS32x15, slotted; TS35x7.5, slotted; TS35x15, slotted all attach to collar studs either horizontally or vertically. Three DIN rails, screws and channel nuts are provided. Finish: Yellow Zinc



Catalog Number	Description	For use with Premier Enclosures
12DR1P	TS32 x 15, slotted	12" height or width
16DR1P	TS32 x 15, slotted	16" height or width
20DR1P	TS32 x 15, slotted	20" height or width
24DR1P	TS32 x 15, slotted	24" height or width
12DR3P	TS35 x 7.5, slotted	12" height or width
16DR3P	TS35 x 7.5, slotted	16" height or width
20DR3P	TS35 x 7.5, slotted	20" height or width
24DR3P	TS35 x 7.5, slotted	24" height or width
12DRCP	TS35 x 15, slotted	12" height or width
16DRCP	TS35 x 15, slotted	16" height or width
20DRCP	TS35 x 15, slotted	20" height or width
24DRCP	TS35 x 15, slotted	24" height or width

Flexible Mounting Straps

Flexible mounting straps offer a versatile, horizontal or vertical mounting method inside enclosure body. Two designs; 1-hole or 3-hole pattern increase mounting flexibility and attach to enclosure collar studs. Flexible mounting strap kit contains two straps and hardware. Finish: Zinc Plated



Catalog Number	Description	Fits Premier Premier Enclosures
12GS1	1 hole	12" height or width
16GS1	1 hole	16" height or width
20GS1	1 hole	20" height or width
24GS1	1 hole	24" height or width
30GS1	1 hole	30" height or width
36GS3	3 hole	36" height or width
42GS3	3 hole	42" height or width
48GS3	3 hole	48" height or width
60GS3	3 hole	60" height or width

Notes: Dimensions are in inches. Millimeters shown are for reference only. Data subject to change without notice.

Premier™ Series Accessories

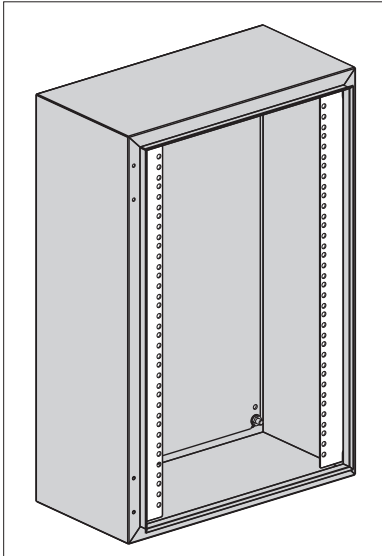
Discount Schedule: C2

Subclass: TD0

Rack Mounting Angles

Relay rack angles are designed for mounting EIA 19" rack mount equipment inside 24" wide enclosures. Fabricated from 14 gauge steel and zinc plated. Rack angles are mounted to enclosure flange with hardware provided. Rack mount angles are untapped and require screws and cage nuts for equipment mounting (order separately).

Finish: Zinc Plated



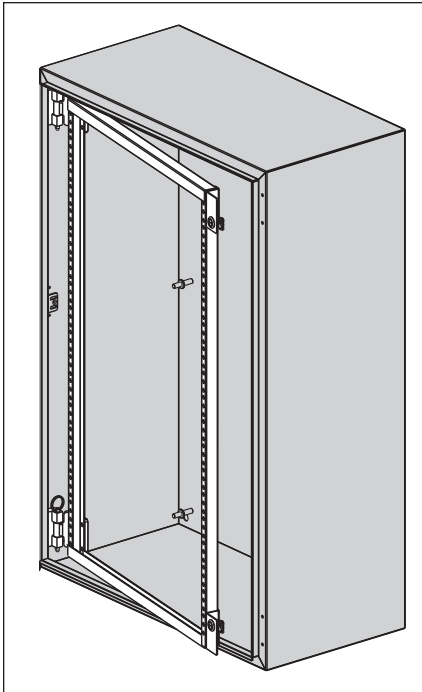
Catalog Number	For use with Premier Enclosures	Mounting Units
10URMA	20" height	10
12URMA	24" height	12
16URMA	30" height	16
19URMA	36" height	19
26URMA	48" height	26

Universal Spacing [5/8" (16mm), 5/8" (16mm), 1/2" (13mm)]

Swing-Out Rack Frames

Swing-out rack frames allow mounting of EIA 19" rack mount equipment. Flexible pivoting framework provides access to back of equipment or other internal components. Designed for use with 24" wide Premier series enclosures. Mounting hardware included. Swing-out rack frame holes are untapped and require screws and cage nuts for equipment mounting (order separately).

(Note: Cannot be used in conjunction with depth adjustment brackets).
Finish: ANSI Gray Polyester Powder



Catalog Number	For use with Premier Enclosures	Mounting Units
2424SF	24" x 24"	11
3024SF	30" x 24"	15
3624SF	36" x 24"	18

Universal Spacing [5/8" (16mm), 5/8" (16mm), 1/2" (13mm)]

Type 4 Panel Enclosures

Notes: Dimensions are in inches. Millimeters shown are for reference only. Data subject to change without notice.

Type 4 Panel Enclosures

Premier™ Series Accessories

Discount Schedule: C2

Subclass: TD0

Handles

Padlocking, key-locking or non-locking handles are interchangeable with standard slotted quarter-turn flush latch on Premier series enclosures. Available keyed alike or keyed different, please specify when ordering.



Catalog Number	Description	Latch Type
WMHNL	Wall-mount handle, non-locking	Single point
WMHK-01	Wall-mount handle, key-locking - keyed 01	Single point
WMHK-02	Wall-mount handle, key-locking - keyed 02	Single point
WMHK-03	Wall-mount handle, key-locking - keyed 03	Single point
WMHK-04	Wall-mount handle, key-locking - keyed 04	Single point
WMHPTO	Wall-mount handle, padlockable	Single point
SD-KHB	Black die cast zinc, key-locking handle	3-point

Security Latch Inserts

Security latch inserts interchange with slotted quarter-turn flush latch and provide security and control access to interior of enclosure. Inserts include matching key.



7MTLK

Catalog Number	Description	Latch Type
7MTLK	7mm triangular latch insert	Single point
7MSLK	7mm square latch insert	Single point
3MDBLK	3mm double bit latch insert	Single point



7MSLK



3MDBLK

Print Pockets

Print pockets provide a convenient place to store operation manuals, diagrams, or other documents inside the enclosure. Thermoplastic pockets are gray and have cut away areas for viewing contents. Pockets have adhesive backing for mounting inside on enclosure door.



Catalog Number	Length x Width
32170	6" x 6"
32171	10" x 10"

Notes: Dimensions are in inches. Millimeters shown are for reference only. Data subject to change without notice.

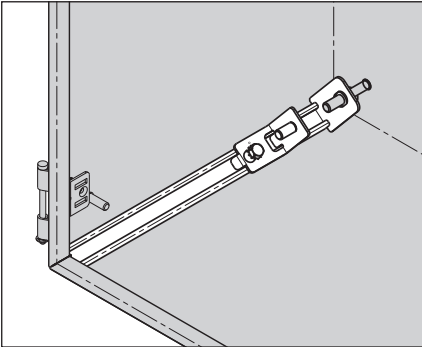
Premier™ Series Accessories

Discount Schedule: C2

Subclass: TD0

Depth Adjustment Brackets

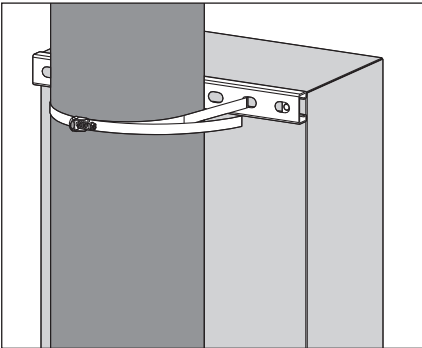
Depth adjustment brackets allow variable depth mounting of premier accessories. Designed for use with 6", 8" or 12" deep enclosures. Kit is available in quantities of 4 or 2 and includes mounting channel, adjustable mechanism and hardware. When enclosure has 6 collar studs, use two kits. **(Note:** Not for use with swing-out rack frame, dead front panel or swing-out panel). Finish: Zinc Plated



Catalog Number	Qty.	For use with Premier Enclosures
64AMK	4	6" depth or greater
84AMK	4	8" depth or greater
82AMK	2	8" depth or greater
124AMK	4	12" depth or greater
122AMK	2	12" depth or greater

Pole Mounting Kits

Pole mounting kits allow installation of enclosure on round or rectangular poles. Kit includes hot dip galvanized after fabrication strut channel, stainless steel band and hardware for top and bottom mounting of enclosure.



Note: Pole diameter range 4" minimum to 12" maximum.

Catalog Number	For use with Premier Enclosures
12PMK	12" width
16PMK	16" width
20PMK	20" width
24PMK	24" width
30PMK	30" width

Hardware

Phillips head screws and cage nuts are available in #10-32, #12-24 or M6 and allow mounting of equipment to untapped holes in rack mounting angles and swing-out rack frame.



Catalog Number	Screw Type
E2-MA-1032-PHMS-100	#10-32 Phillips
E2-MA-1224-PHMS-100	#12-24 Phillips
E2-MA-M6-PHMS-100	M6 Phillips

Catalog Number	Cage Nut Type
E2-MA-CN-1032-100	#10-32 Tapped
E2-MA-CN-1224-100	#12-24 Tapped
E2-MA-CN-M6-100	M6 Tapped

Sold in bags of 100 pieces.

Type 4 Panel Enclosures

Wall-Mount Enclosures Type 4 Single-Door with 3-Point Locking Data Sheet and Catalog Number



Finish

- Wash and phosphate undercoat
- ANSI 61 gray polyester powder finish

Accessories

- Panels
- Swing-out panel kit
- NEMA terminal kit
- Window Kits
- Floor stand kit
- Replacement handle, T4PKHB, (see page 427)

Construction

- Enclosure and door are fabricated from code gauge steel, (see pages 160 & 161)
- All continuous welded seams are finished smooth
- Continuous hinge with stainless steel hinge pin
- Internal 3-point latching with a keylocking and padlock handle
- Door has a seamless poured in-place gasket
- Formed lip around enclosure opening diverts liquids and contaminants
- Ground stud provided on door and body
- Print pocket provided
- .375-16 colar studs are provided for mounting optional panel
- External mounting feet

Application

- Houses electrical controls and instruments
- Intended for indoor or outdoor use
- Protects against windblown dust and rain, splashing water and hose directed water

Standards

- UL 508A listed, Type 4, Type 12
- CSA C22.2 No.94 certified, Type 4, Type 12
- Conforms to NEMA standard for Type 3, Type 4, Type 12

Discount Schedule: C2

Subclass: DF3

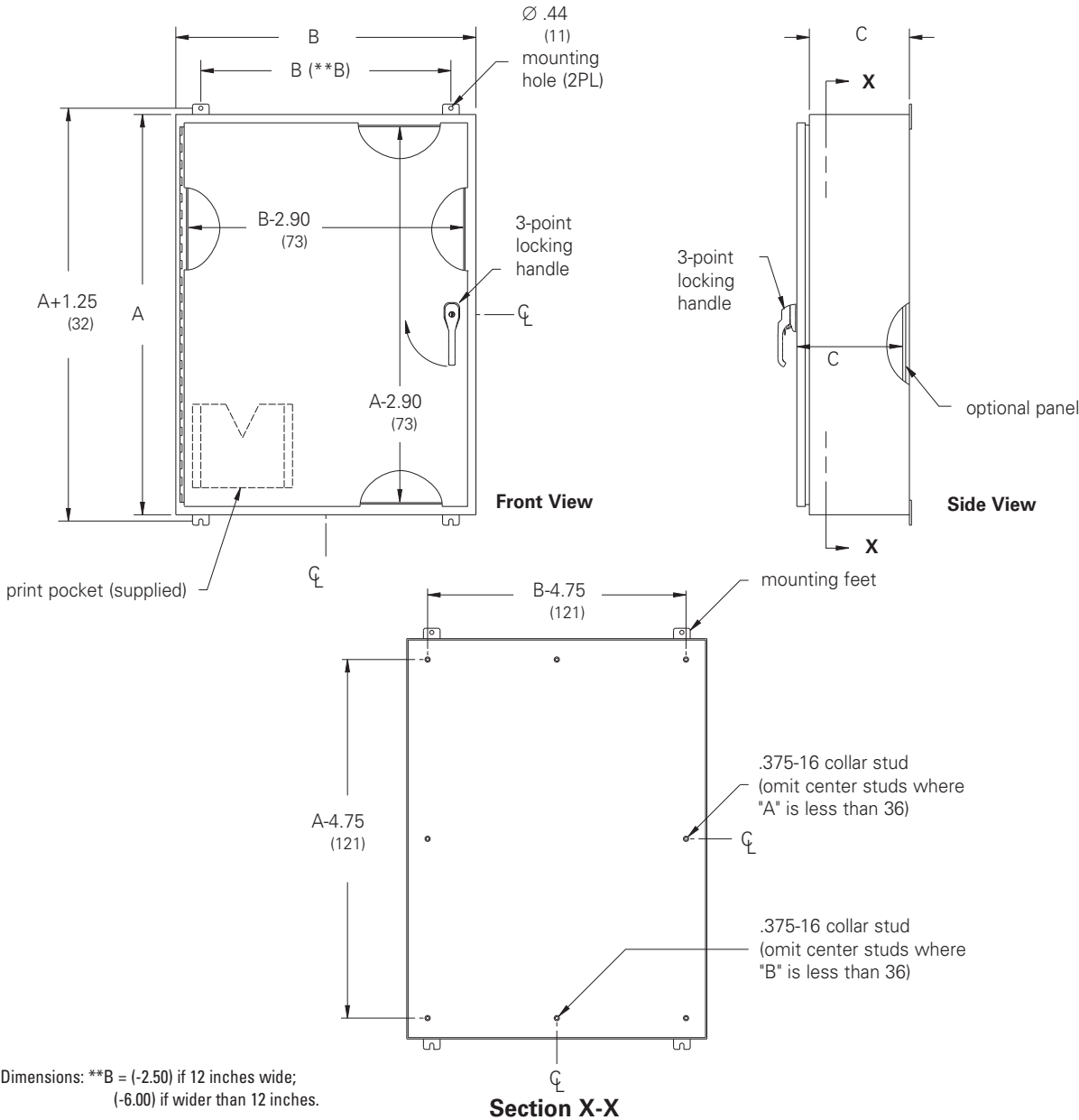
Type 4 Panel Enclosures

Enclosure Catalog Number	Enclosure Size Height x Width x Depth A x B x C		Gauge	Panel Catalog Number	Conductive Catalog Number	Panel Size Panel Height x Width	
	in.	mm				in.	mm
24206-43PT	24 x 20 x 6	609 x 508 x 152	16	AW2420P	AW2420GP	20.87 x 16.87	530 x 429
24208-43PT	24 x 20 x 8	609 x 508 x 203	16	AW2420P	AW2420GP	20.87 x 16.87	530 x 429
24248-43PT	24 x 24 x 8	609 x 609 x 203	14	AW2424P	AW2424GP	20.87 x 20.87	530 x 530
30248-43PT	30 x 24 x 8	762 x 609 x 203	14	AW3024P	AW3024GP	26.87 x 20.87	682 x 530
30308-43PT	30 x 30 x 8	762 x 762 x 203	14	AW3030P	AW3030GP	26.87 x 26.87	682 x 682
36248-43PT	36 x 24 x 8	914 x 609 x 203	14	AW3624P	AW3624GP	32.87 x 20.87	835 x 530
36308-43PT	36 x 30 x 8	914 x 762 x 203	14	AW3630P	AW3630GP	32.87 x 26.87	835 x 682
48368-43PT	48 x 36 x 8	1219 x 914 x 203	14	AW4836P	AW4836GP	44.87 x 32.87	1139 x 835
242010-43PT	24 x 20 x 10	609 x 508 x 254	16	AW2420P	AW2420GP	20.87 x 16.87	530 x 429
363010-43PT	36 x 30 x 10	914 x 762 x 254	14	AW3630P	AW3630GP	32.87 x 26.87	835 x 682
483610-43PT	48 x 36 x 10	1219 x 914 x 254	14	AW4836P	AW4836GP	44.87 x 32.87	1139 x 835

Notes: We can provide special sizes, finishes and other modifications. Consult the factory for your special requirements.

Wall-Mount Enclosures Type 4 Single-Door with 3-Point Locking Illustration Sheet and Catalog Number

Enclosure Catalog Number	Enclosure Size Height x Width x Depth A x B x C		Gauge	Panel Catalog Number	Conductive Catalog Number	Panel Size Panel Height x Width	
	in.	mm				in.	mm
242412-43PT	24 x 24 x 12	609 x 609 x 305	14	AW2424P	AW2424GP	20.87 x 20.87	530 x 530
302412-43PT	30 x 24 x 12	762 x 609 x 305	14	AW3024P	AW3024GP	26.87 x 20.87	682 x 530
363012-43PT	36 x 30 x 12	914 x 762 x 305	14	AW3630P	AW3630GP	32.87 x 26.87	835 x 682
363612-43PT	36 x 36 x 12	914 x 914 x 305	14	AW3636P	AW3636GP	32.87 x 32.87	835 x 835
483612-43PT	48 x 36 x 12	1219 x 914 x 305	14	AW4836P	AW4836GP	44.87 x 32.87	1139 x 835
603612-43PT	60 x 36 x 12	1524 x 914 x 305	14	AW6036P	AW6036GP	56.87 x 32.87	1444 x 835
483616-43PT	48 x 36 x 16	1219 x 914 x 406	14	AW4836P	AW4836GP	44.87 x 32.87	1139 x 835
603616-43PT	60 x 36 x 16	1524 x 914 x 406	14	AW6036P	AW6036GP	56.87 x 32.87	1444 x 835



Note: Dimensions: ****B** = (-2.50) if 12 inches wide; (-6.00) if wider than 12 inches.

Notes: Dimensions are in inches. Millimeters shown are for reference only. Data subject to change without notice.

Type 4 Panel Enclosures

Type 4 Panel Enclosures

Wall-Mount Enclosures

Type 4 Double-Door with 3-Point Locking

Data Sheet and Catalog Number



Type 4 Panel Enclosures

Application

- Houses electrical controls and instruments
- Intended for indoor or outdoor use
- Protects against windblown dust and rain, splashing water and hose directed water

Standards

- UL 508A listed, Type 4, 12
- CSA C22.2 No.94 certified, Type 4, 12
- Conforms to NEMA standard for Type 3, 4, 12

Finish

- Wash and phosphate undercoat
- ANSI 61 gray polyester powder finish

Accessories

- Panels
- Window Kits
- Floor stand kit
- Lights
- Replacement handle, T4PKHB, (see page 427)

Construction

- Enclosure and door are fabricated from (14) gauge steel
- All continuous welded seams are finished smooth
- Heavy-duty continuous hinges with stainless steel hinge pins
- Internal 3-point latching with keylocking and padlock handles
- Removable centerpost for easy panel installation
- Doors have a seamless poured in-place gasket
- Formed lip around enclosure opening diverts liquids and contaminants
- Ground stud provided on door and body
- Print pocket provided
- .375-16 colar studs are provided for mounting optional panel
- External mounting feet

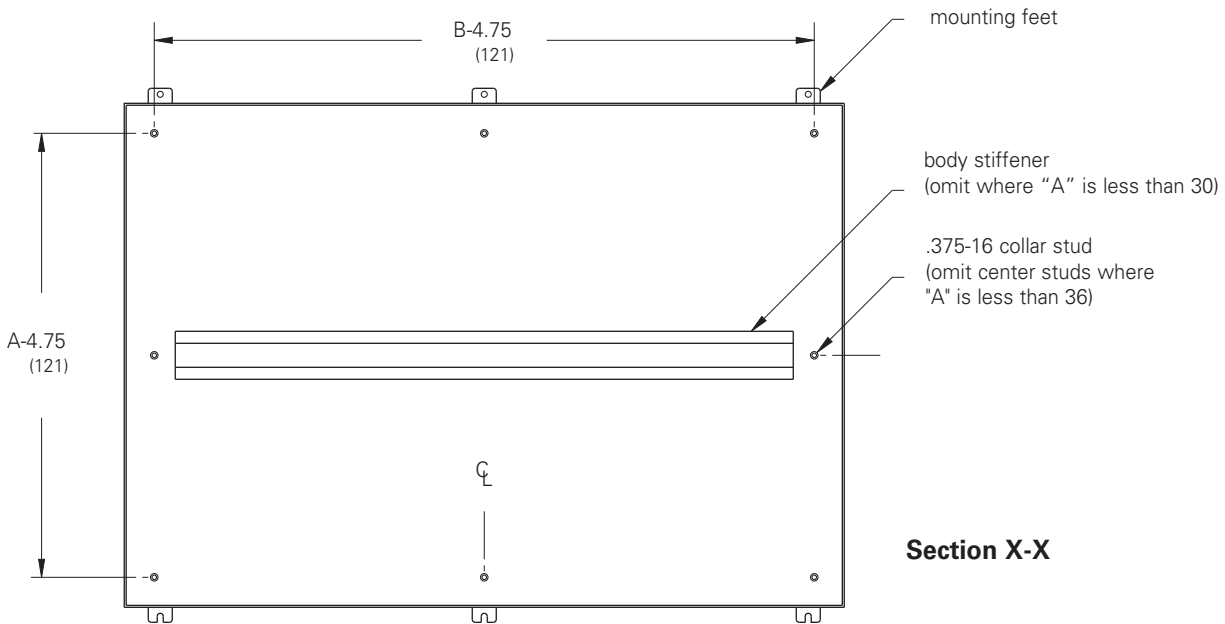
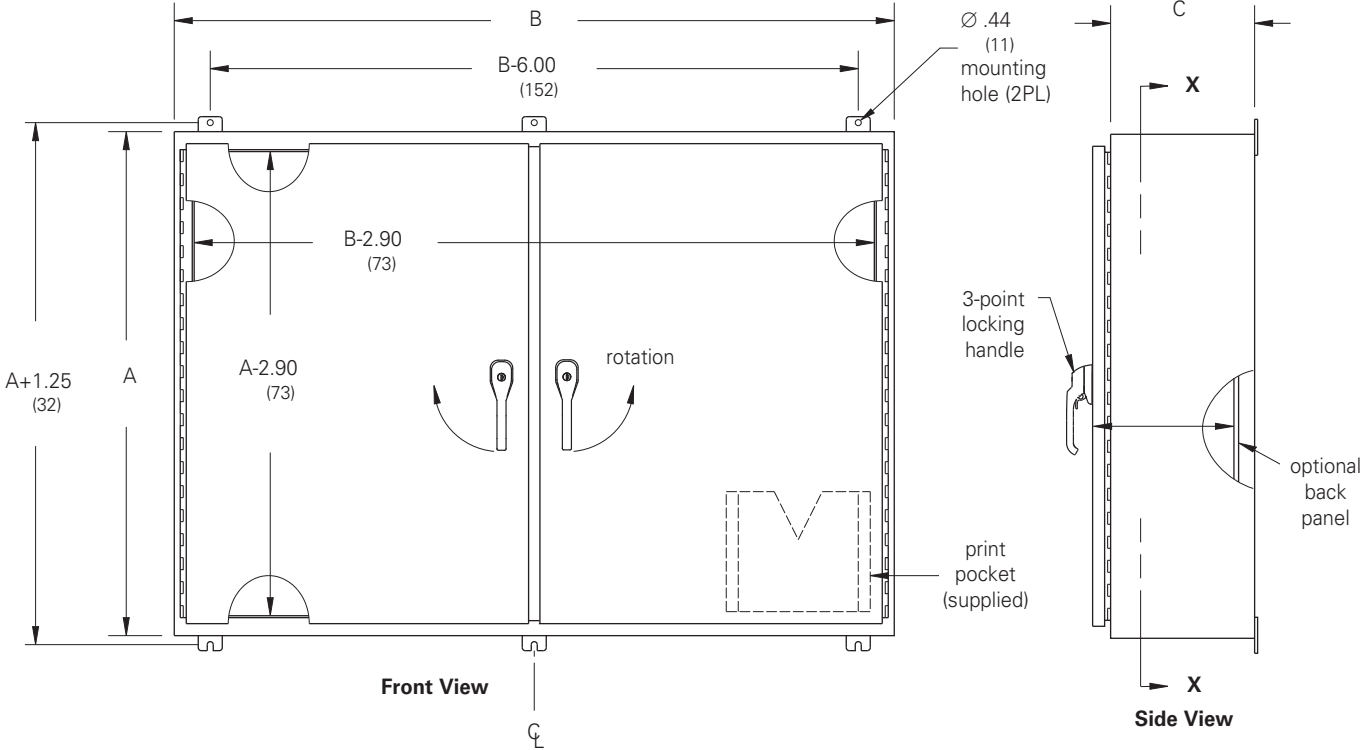
Discount Schedule: C2

Subclass: DF3

Enclosure Catalog Number	Enclosure Size Height x Width x Depth A x B x C		Panel Catalog Number	Conductive Panel Catalog Number	Panel Size Height x Width	
	in.	mm			in.	mm
244210-4D3PT	24.00 x 42.00 x 10.00	609 x 1067 x 254	AW4224P	--	38.87 x 20.87	987 x 530
304210-4D3PT	30.00 x 42.00 x 10.00	762 x 1067 x 254	AW4230P	AW4230GP	38.87 x 26.87	987 x 682
304810-4D3PT	30.00 x 48.00 x 10.00	762 x 1219 x 254	AW4830P	AW4830GP	44.87 x 26.87	1139 x 682
306010-4D3PT	30.00 x 60.00 x 10.00	762 x 1524 x 254	AW6030P	--	56.87 x 26.87	1444 x 682
364812-4D3PT	36.00 x 48.00 x 12.00	914 x 1219 x 305	AW4836P	AW4836GP	44.87 x 32.87	1139 x 835
366012-4D3PT	36.00 x 60.00 x 12.00	762 x 1524 x 305	AW6036P	AW6036GP	56.87 x 32.87	1444 x 835

Notes: We can provide special sizes, finishes and other modifications. Consult the factory for your special requirements.

Wall-Mount Enclosures Type 4 Double-Door with 3-Point Locking Illustration Sheet



Type 4 Panel Enclosures

Notes: Dimensions are in inches. Millimeters shown are for reference only. Data subject to change without notice.