

Type 4X Panel Enclosures

Wall-Mount Enclosures Type 4X Single-Door Data and Illustration Sheet



Application

- Houses electrical controls and instruments
- Intended for indoor or outdoor use where a corrosive environment exists
- Protects against corrosion, windblown dust and rain, splashing water and hose directed water

Standards

- UL 508A listed, Type 4, Type 4X, Type 12 and Type 13
- CSA C22.2 No.94 certified, Type 4, Type 4X, Type 12 and Type 13
- Conforms to NEMA standard for Type 4, Type 4X, Type 12 and Type 13

Construction

- Enclosure and door are fabricated from (14) gauge, Type 304 or Type 316L stainless steel
- All continuous welded seams are finished smooth
- Doors are secured to the body with a heavy-duty, stainless steel continuous hinge and pin on one side and easy to release stainless steel door clamps mounted to the other three sides
- Each door has a padlock hasp with sealing hole provision
- Print pocket provided
- Door has a seamless poured in-place gasket
- Ground stud provided on door and body
- Formed lip around enclosure opening diverts liquids and contaminants
- .375-16 collar studs are provided for mounting optional panel
- External mounting feet are provided for secure wall mounting

Finish

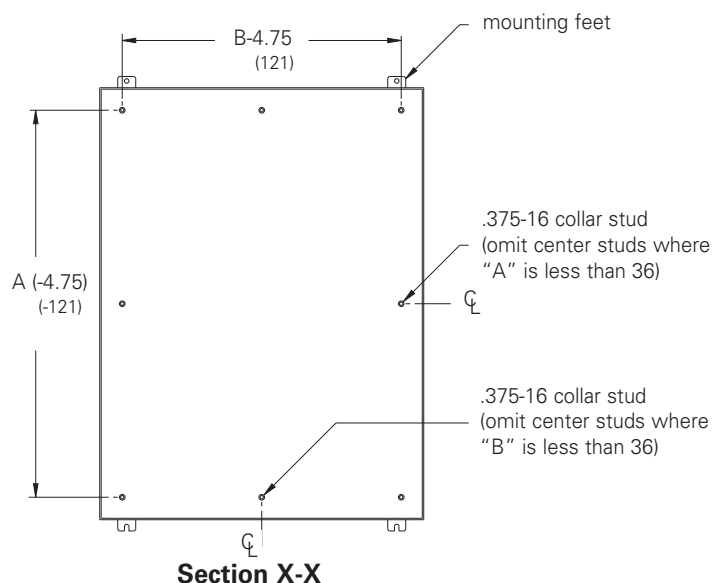
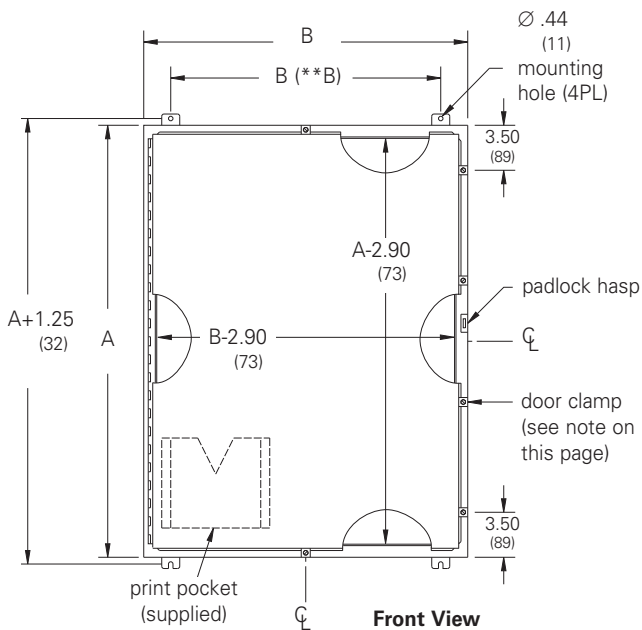
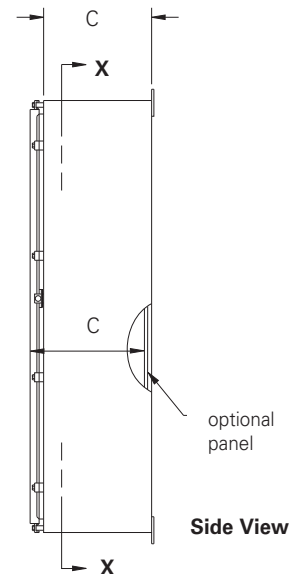
- Door and sides of body have a smooth #4 brushed finish

Accessories

- Panels
- NEMA terminal strap kit
- Terminal blocks
- Floor stand kit
- See Accessories section

Discount Schedule: C2

**Subclass: DG0 (Type 304)
D00 (Type 316L)**



Notes: Dimensions: **B = (-2.50) if 12 inches wide; (-6.00) if wider than 12 inches.
We can provide special sizes, finishes and other modifications. Consult the factory for your special requirements.

Wall-Mount Enclosures Type 4X Single-Door Catalog Number

Enclosure Catalog Number Stainless Steel		Enclosure Size Height x Width x Depth A x B x C		Panel Catalog Number		Panel Size Height x Width	
Type 304	Type 316L	in.	mm	Steel	Conductive	in.	mm
16126-4XS	16126-4XSS6	16.00 x 12.00 x 6.00	406 x 305 x 152	AW1612P	AW1612GP	13.00 x 9.00	330 x 229
16166-4XS	16166-4XSS6	16.00 x 16.00 x 6.00	406 x 406 x 152	AW1616P	AW1616GP	13.00 x 13.00	330 x 330
16206-4XS	16206-4XSS6	16.00 x 20.00 x 6.00	406 x 508 x 152	AW2016P	AW2016GP	17.00 x 13.00	432 x 330
20166-4XS	20166-4XSS6	20.00 x 16.00 x 6.00	208 x 406 x 152	AW2016P	AW2016GP	17.00 x 13.00	432 x 330
20206-4XS	20206-4XSS6	20.00 x 20.00 x 6.00	508 x 508 x 152	AW2020P	AW2020GP	17.00 x 17.00	432 x 432
24126-4XS	24126-4XSS6	24.00 x 12.00 x 6.00	610 x 305 x 152	AW2412P	--	21.00 x 9.00	533 x 229
24166-4XS	24166-4XSS6	24.00 x 16.00 x 6.00	610 x 406 x 152	AW2416P	AW2416GP	21.00 x 13.00	533 x 330
24206-4XS	24206-4XSS6	24.00 x 20.00 x 6.00	610 x 508 x 152	AW2420P	AW2420GP	20.87 x 16.87	530 x 428
24246-4XS	24246-4XSS6	24.00 x 24.00 x 6.00	610 x 610 x 152	AW2424P	AW2424GP	20.87 x 20.87	530 x 530
30246-4XS	30246-4XSS6	30.00 x 24.00 x 6.00	762 x 610 x 152	AW3024P	AW3024GP	26.87 x 20.87	682 x 530
36246-4XS	36246-4XSS6	36.00 x 24.00 x 6.00	914 x 610 x 152	AW3624P	AW3624GP	32.87 x 20.87	835 x 530
16128-4XS	16128-4XSS6	16.00 x 12.00 x 8.00	406 x 305 x 203	AW1612P	AW1612GP	13.00 x 9.00	330 x 229
20168-4XS	20168-4XSS6	20.00 x 16.00 x 8.00	508 x 406 x 203	AW2016P	AW2016GP	17.00 x 13.00	432 x 330
20208-4XS	20208-4XSS6	20.00 x 20.00 x 8.00	508 x 508 x 203	AW2020P	AW2020GP	17.00 x 17.00	432 x 432
20248-4XS	20248-4XSS6	20.00 x 24.00 x 8.00	508 x 610x203	AW2420P	AW2420GP	32.87 x 26.87	835 x 682
24168-4XS	24168-4XSS6	24.00 x 16.00 x 8.00	610 x 406 x 203	AW2416P	AW2416GP	21.00 x 13.00	533 x 330
24208-4XS	24208-4XSS6	24.00 x 20.00 x 8.00	610 x 508 x 203	AW2420P	AW2420GP	20.87 x 16.87	530 x 428
24248-4XS	24248-4XSS6	24.00 x 24.00 x 8.00	610 x 610 x 203	AW2424P	AW2424GP	20.87 x 20.87	530 x 530
24308-4XS	24308-4XSS6	24.00 x 30.00 x 8.00	610 x 762 x 203	AW3024P	AW3024GP	26.87 x 20.87	682 x 530
30208-4XS	30208-4XSS6	30.00 x 20.00 x 8.00	762 x 508 x 203	AW3020P	AW3020GP	26.87 x 16.87	682 x 428
30248-4XS	30248-4XSS6	30.00 x 24.00 x 8.00	762 x 610 x 203	AW3024P	AW3024GP	26.87 x 20.87	682 x 530
30308-4XS	30308-4XSS6	30.00 x 30.00 x 8.00	762 x 762 x 203	AW3030P	AW3030GP	26.87 x 26.87	682 x 682
36248-4XS	36248-4XSS6	36.00 x 24.00 x 8.00	914 x 610 x 203	AW3624P	AW3624GP	32.87 x 20.87	835 x 530
36308-4XS	36308-4XSS6	36.00 x 30.00 x 8.00	914 x 762 x 203	AW3630P	AW3630GP	32.87 x 26.87	835 x 682
42308-4XS	42308-4XSS6	42.00 x 30.00 x 8.00	1067 x 762 x 203	AW4230P	AW4230GP	38.87 x 26.87	987 x 682
42368-4XS	42368-4XSS6	42.00 x 36.00 x 8.00	1067 x 914 x 203	AW4236P	AW4236GP	38.87 x 32.87	987 x 835
48368-4XS	48368-4XSS6	48.00 x 36.00 x 8.00	1219 x 914 x 203	AW4836P	AW4836GP	44.87 x 32.87	1140 x 835
201610-4XS	201610-4XSS6	20.00 x 16.00 x 10.00	508 x 406 x 254	AW2016P	AW2016GP	17.00 x 13.00	432 x 330
242010-4XS	242010-4XSS6	24.00 x 20.00 x 10.00	610 x 508 x 254	AW2420P	AW2420GP	20.87 x 16.87	530 x 428
302410-4XS	302410-4XSS6	30.00 x 24.00 x 10.00	762 x 610 x 254	AW3024P	AW3024GP	26.87 x 20.87	682 x 530
362410-4XS	362410-4XSS6	36.00 x 24.00 x 10.00	914 x 610 x 254	AW3624P	AW3624GP	32.87 x 20.87	835 x 530
363010-4XS	363010-4XSS6	36.00 x 30.00 x 10.00	914 x 762 x 254	AW3630P	AW3630GP	32.87 x 26.87	835 x 682
423010-4XS	423010-4XSS6	42.00 x 30.00 x 10.00	1067 x 762 x 254	AW4230P	AW4230GP	38.87 x 26.87	987 x 682
483010-4XS	483010-4XSS6	48.00 x 30.00 x 10.00	1219 x 762 x 254	AW4830P	AW4830GP	44.87 x 26.87	1140 x 682
483610-4XS	483610-4XSS6	48.00 x 36.00 x 10.00	1219 x 914 x 254	AW4836P	AW4836GP	44.87 x 32.87	1140 x 835
603610-4XS	603610-4XSS6	60.00 x 36.00 x 10.00	1524 x 914 x 254	AW6036P	AW6036GP	56.87 x 32.87	1444 x 835
242412-4XS	242412-4XSS6	24.00 x 24.00 x 12.00	610 x 610 x 305	AW2424P	AW2424GP	20.87 x 20.87	530 x 530
302412-4XS	302412-4XSS6	30.00 x 24.00 x 12.00	762 x 610 x 305	AW3024P	AW3024GP	26.87 x 20.87	682 x 530
363012-4XS	363012-4XSS6	36.00 x 30.00 x 12.00	914 x 762 x 305	AW3630P	AW3630GP	32.87 x 26.87	835 x 682
363612-4XS	363612-4XSS6	36.00 x 36.00 x 12.00	914 x 914 x 305	AW3636P	--	32.87 x 32.87	835 x 835
483612-4XS	483612-4XSS6	48.00 x 36.00 x 12.00	1219 x 914 x 305	AW4836P	AW4836GP	44.87 x 32.87	1140 x 835
603612-4XS	603612-4XSS6	60.00 x 36.00 x 12.00	1524 x 914 x 305	AW6036P	AW6036GP	56.87 x 32.87	1444 x 835
302416-4XS	302416-4XSS6	30.00 x 24.00 x 16.00	762 x 610 x 406	AW3024P	AW3024GP	26.87 x 20.87	682 x 530
363016-4XS	363016-4XSS6	36.00 x 30.00 x 16.00	914 x 762 x 406	AW3630P	AW3630GP	32.87 x 26.87	835 x 682
483616-4XS	483616-4XSS6	48.00 x 36.00 x 16.00	1219 x 914 x 406	AW4836P	AW4836GP	44.87 x 32.87	1140 x 835
603616-4XS	603616-4XSS6	60.00 x 36.00 x 16.00	1524 x 914 x 406	AW6036P	AW6036GP	56.87 x 32.87	1444 x 835

Type 4X Panel Enclosures

Notes: Clamps are mounted along three sides of the enclosure door. Spacing between clamps along side opposite the hinge does not exceed 15 inches. Dimensions are in inches. Millimeters shown are for reference only. Data subject to change without notice.

Type 4X Panel Enclosures

Wall-Mount Enclosures Type 4X Single-Door, Aluminum Data Sheet and Catalog Number



Application

- Houses electrical controls and instruments
- Intended for indoor or outdoor use where a corrosive environment exists
- Protects against corrosion, windblown dust and rain, splashing water and hose directed water

Standards

- UL 508A listed, Type 4, Type 4X, Type 12 and Type 13
- CSA C22.2 No.94 certified, Type 4, Type 4X, Type 12 and Type 13
- Conforms to NEMA standard for Type 4, Type 4X, Type 12 and Type 13

Finish

- Door and sides of body have a smooth #4 brushed finish

Accessories

- Panels
- NEMA terminal strap kit
- Terminal blocks
- Floor stand kit
- See Accessories section

Construction

- Enclosure and door are fabricated from (14) gauge, Type 5052-H32 aluminum
- All continuous welded seams are finished smooth
- Doors are secured to the body with a heavy-duty, aluminum continuous hinge and pin on one side and easy to operate stainless steel door clamps mounted to the other three sides
- Each door has a padlock hasp with sealing hole provision
- Print pocket provided
- Door has a seamless poured in-place gasket
- Formed lip around enclosure opening diverts liquids and contaminants
- .375-16 collar studs are provided for mounting optional panel
- External mounting feet are provided for secure wall mounting

Discount Schedule: C2

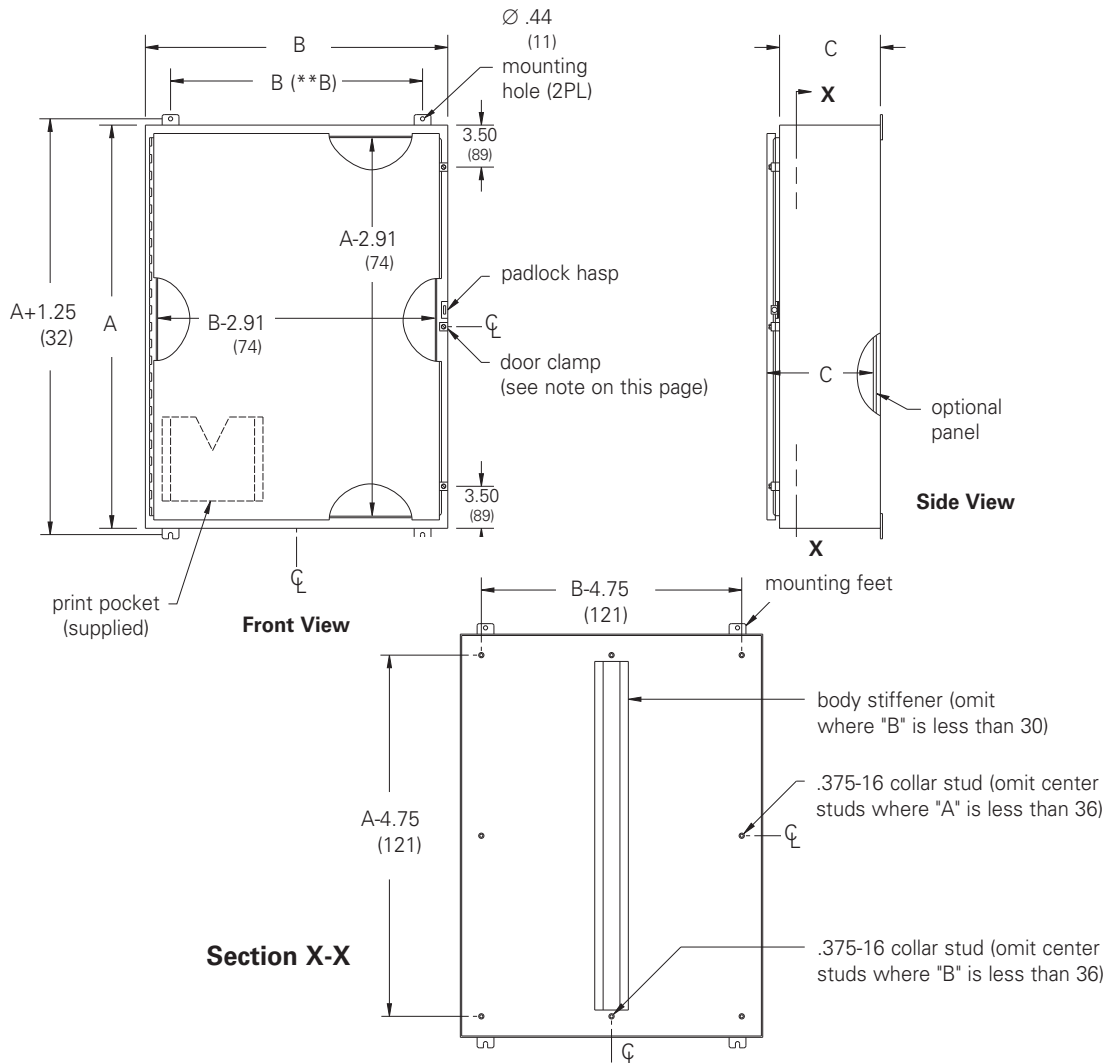
Subclass: DGA

Enclosure Catalog Number	Enclosure Size Height x Width x Depth A x B x C		Panel Catalog Number		Panel Size Height x Width	
	in.	mm	Steel	Conductive	in.	mm
16126-4XA	16.00 x 12.00 x 6.00	406 x 305 x 152	AW1612P	AW1612GP	13.00 x 9.00	330 x 229
16166-4XA	16.00 x 16.00 x 6.00	406 x 406 x 152	AW1616P	AW1616GP	13.00 x 13.00	330 x 330
20166-4XA	20.00 x 16.00 x 6.00	508 x 406 x 152	AW2016P	AW2016GP	17.00 x 13.00	432 x 330
20206-4XA	20.00 x 20.00 x 6.00	508 x 508 x 152	AW2020P	AW2020GP	17.00 x 17.00	432 x 432
24206-4XA	24.00 x 20.00 x 6.00	610 x 508 x 152	AW2420P	AW2420GP	20.87 x 16.87	530 x 428
16128-4XA	16.00 x 12.00 x 8.00	406 x 305 x 203	AW1612P	AW1612GP	13.00 x 9.00	330 x 229
20168-4XA	20.00 x 16.00 x 8.00	508 x 406 x 203	AW2016P	AW2016GP	17.00 x 13.00	432 x 330
24168-4XA	24.00 x 16.00 x 8.00	610 x 406 x 203	AW2416P	AW2416GP	21.00 x 13.00	533 x 330
24208-4XA	24.00 x 20.00 x 8.00	610 x 508 x 203	AW2420P	AW2420GP	20.87 x 16.87	530 x 428
24248-4XA	24.00 x 24.00 x 8.00	610 x 610 x 203	AW2424P	AW2424GP	20.87 x 20.87	530 x 530
24308-4XA	24.00 x 30.00 x 8.00	610 x 762 x 203	AW3024P	AW3024GP	26.87 x 20.87	682 x 530
30208-4XA	30.00 x 20.00 x 8.00	762 x 508 x 203	AW3020P	AW3020GP	26.87 x 16.87	682 x 428
30248-4XA	30.00 x 24.00 x 8.00	762 x 610 x 203	AW3024P	AW3024GP	26.87 x 20.87	682 x 530
30308-4XA	30.00 x 30.00 x 8.00	762 x 762 x 203	AW3030P	AW3030GP	26.87 x 26.87	682 x 682
36248-4XA	36.00 x 24.00 x 8.00	914 x 610 x 203	AW3624P	AW3624GP	32.87 x 20.87	835 x 530
36308-4XA	36.00 x 30.00 x 8.00	914 x 762 x 203	AW3630P	AW3630GP	32.87 x 26.87	835 x 682
42368-4XA	42.00 x 36.00 x 8.00	1067 x 914 x 203	AW4236P	AW4236GP	38.87 x 32.87	987 x 835
48368-4XA	48.00 x 36.00 x 8.00	1219 x 914 x 203	AW4836P	AW4836GP	44.87 x 32.87	1140 x 835

Notes: We can provide special sizes, finishes and other modifications. Consult the factory for your special requirements.

Wall-Mount Enclosures Type 4X Single-Door, Aluminum Illustration Sheet and Catalog Number

Enclosure Catalog Number	Enclosure Size Height x Width x Depth A x B x C		Panel Catalog Number		Panel Size Height x Width	
	in.	mm	Steel	Conductive	in.	mm
201610-4XA	20.00 x 16.00 x 10.00	508 x 406 x 254	AW2016P	AW2016GP	17.00 x 13.00	432 x 330
242010-4XA	24.00 x 20.00 x 10.00	610 x 508 x 254	AW2420P	AW2420GP	20.87 x 16.87	530 x 428
362410-4XA	36.00 x 24.00 x 10.00	914 x 610 x 254	AW3624P	AW3624GP	32.87 x 20.87	835 x 530
363010-4XA	36.00 x 30.00 x 10.00	914 x 762 x 254	AW3630P	AW3630GP	32.87 x 26.87	835 x 682
423010-4XA	42.00 x 30.00 x 10.00	1067 x 762 x 254	AW4230P	AW4230GP	38.87 x 26.87	987 x 682
242412-4XA	24.00 x 24.00 x 12.00	610 x 610 x 305	AW2424P	AW2424GP	20.87 x 20.87	530 x 530
302412-4XA	30.00 x 24.00 x 12.00	762 x 610 x 305	AW3024P	AW3024GP	26.87 x 20.87	682 x 530
363012-4XA	36.00 x 30.00 x 12.00	914 x 762 x 305	AW3630P	AW3630GP	32.87 x 26.87	835 x 682
483612-4XA	48.00 x 36.00 x 12.00	1219 x 914 x 305	AW4836P	AW4836GP	44.87 x 32.87	1140 x 835
603612-4XA	60.00 x 36.00 x 12.00	1524 x 914 x 305	AW6036P	AW6036GP	56.87 x 32.87	1444 x 835
362416-4XA	36.00 x 24.00 x 16.00	914 x 610 x 406	AW3624P	AW3624GP	32.87 x 20.87	835 x 530
363016-4XA	36.00 x 30.00 x 16.00	914 x 762 x 406	AW3630P	AW3630GP	32.87 x 26.87	835 x 682
483616-4XA	48.00 x 36.00 x 16.00	1219 x 914 x 406	AW4836P	AW4836GP	44.87 x 32.87	1140 x 835



Notes: Dimensions: **B = (-2.50) if 12 inches wide; (-6.00) if wider than 12 inches. Clamps are mounted along three sides of the enclosure door. Spacing between clamps along side opposite the hinge does not exceed 15 inches. Dimensions are in inches. Millimeters shown are for reference only. Data subject to change without notice.

Type 4X Panel Enclosures

Wall-Mount Enclosures Type 4X Premier™ Series with Quarter-Turn Latches Data Sheet



Application

- Houses electrical controls and instruments
- Intended for indoor or outdoor use where a corrosive environment exists
- Protects against corrosion, circulating and windblown dust, falling dirt, dripping non-corrosive liquids, rain, splashing water and hose directed water

Standards

- UL 508A Listed, Type 4X, Type 4 and Type 12
- cUL Listed, Type 4X, Type 4 and Type 12
- Conforms to NEMA standard for Type 4X, Type 4 and 12
- Wall-mounting brackets required to maintain UL/CSA external mounting requirements

Finish

- Door and sides of body have a smooth #4 brushed finish

Accessories

- Premier panels
- NEMA panel adapters
- Depth adjustment brackets
- Print pockets
- Padlockable or keyed handles
- Security latch inserts
- Mounting foot kits
- EIA/TIA rack mounting angles
- Swing-out panels
- See Premier Series Accessories pages, 212-217

Construction

- Enclosure and door are fabricated from code gauge Type 304 or Type 316L stainless steel (see pages 209 & 210)
- All continuous welded seams are finished smooth
- Hardware kit provided contains grounding hardware, .312-18 flanged hex nuts for panel mounting, and sealing washers for body mounting holes

Body Construction

- Body flange trough design is formed around body opening to divert liquid contaminants away from door opening
- Reduced width flange design increases enclosure opening
- Ground stud provided on enclosure body and door
- .312-18 collar studs are provided for mounting optional Premier panels
- Enclosure mounting holes in body provided for direct mounting or optional mounting feet

Door Construction

- Doors are secured to the body with a concealed hinge design on one side and slotted quarter-turn flush latch(es) on the opposite side
- Doors are easily removed and interchangeable
- Door has a seamless poured in-place gasket
- Door opens 180° for easy access
- Window-door enclosures feature flush-mounted clear polycarbonate window

Discount Schedule: C2

Subclass: TE0

Notes: We can provide special sizes, finishes and other modifications. Consult the factory for your special requirements.

Wall-Mount Enclosures Type 4X Premier™ Series with Quarter-Turn Latches Catalog Number

Enclosure Catalog		Enclosure Number		Size Door/ Body Gauge	* Panel Catalog Number	Panel Size H x W		Mounting D x E		Window Size F x G		Latch Qty.	J		K	
Solid Door	Window Door	in.	mm			in.	mm	in.	mm	in.	mm		in.	mm	in.	mm
1084-SDSS4	-	10 x 8 x 4	254 x 203 x 102	16/16	108P	8.00 x 6.00	203 x 152	8.50 x 6.37	216 x 162	-	-	1	--	--	5.00	127
1086-SDSS4	-	10 x 8 x 6	254 x 203 x 152	16/16	108P	8.00 x 6.00	203 x 152	8.50 x 6.37	216 x 162	-	-	1	--	--	5.00	127
12106-SDSS4	-	12 x 10 x 6	305 x 254 x 152	16/16	1210P	10.00 x 8.00	254 x 203	10.50 x 8.37	267 x 213	-	-	1	--	--	6.00	152
12126-SDSS4	12126-SDWSS4	12 x 12 x 6	305 x 305 x 152	16/16	1212P	10.00 x 10.00	254 x 254	10.50 x 10.37	267 x 264	8.25 x 7.00	210 x 178	1	--	--	6.00	152
16126-SDSS4	16126-SDWSS4	16 x 12 x 6	406 x 305 x 152	16/16	1612P	14.00 x 10.00	356 x 254	14.50 x 10.37	368 x 264	12.25 x 7.00	311 x 178	1	--	--	8.00	203
16166-SDSS4	-	16 x 16 x 6	406 x 406 x 152	16/16	1616P	14.00 x 14.00	356 x 356	14.50 x 14.37	368 x 365	-	-	1	--	--	8.00	203
20166-SDSS4	20166-SDWSS4	20 x 16 x 6	508 x 406 x 152	16/16	2016P	18.00 x 14.00	457 x 356	18.50 x 14.37	470 x 365	16.25 x 11.00	413 x 279	1	--	--	10.00	254
20206-SDSS4	20206-SDWSS4	20 x 20 x 6	508 x 508 x 152	16/16	2020P	18.00 x 18.00	457 x 457	18.50 x 18.37	470 x 467	16.25 x 15.00	413 x 381	1	--	--	10.00	254
16128-SDSS4	-	16 x 12 x 8	406 x 305 x 203	16/16	1612P	14.00 x 10.00	356 x 254	14.50 x 10.37	368 x 264	-	-	1	--	--	8.00	203
16168-SDSS4	-	16 x 16 x 8	406 x 406 x 203	16/16	1616P	14.00 x 14.00	356 x 356	14.50 x 14.37	368 x 365	-	-	1	--	--	8.00	203
16208-SDSS4	-	16 x 20 x 8	406 x 508 x 203	16/16	2016P	14.00 x 18.00	356 x 457	14.50 x 18.37	368 x 467	-	-	1	--	--	8.00	203
20168-SDSS4	20168-SDWSS4	20 x 16 x 8	508 x 406 x 203	16/16	2016P	18.00 x 14.00	457 x 356	18.50 x 14.37	470 x 365	16.25 x 11.00	413 x 279	1	--	--	10.00	254
20208-SDSS4	20208-SDWSS4	20 x 20 x 8	508 x 508 x 203	16/16	2020P	18.00 x 18.00	457 x 457	18.50 x 18.37	470 x 467	16.25 x 15.00	413 x 381	1	--	--	10.00	254
24168-SDSS4	-	24 x 16 x 8	610 x 406 x 203	16/16	2416P	22.00 x 14.00	559 x 356	22.50 x 14.37	572 x 365	-	-	1	--	--	12.00	305
24208-SDSS4	24208-SDWSS4	24 x 20 x 8	610 x 508 x 203	16/16	2420P	22.00 x 18.00	559 x 457	22.50 x 18.37	572 x 467	20.25 x 15.00	514 x 381	1	--	--	12.00	305
24248-SDSS4	24248-SDWSS4	24 x 24 x 8	610 x 610 x 203	14/16	2424P	22.00 x 22.00	559 x 559	22.50 x 22.37	572 x 568	20.25 x 17.62	514 x 448	2	5.00	127	--	--
30248-SDSS4	30248-SDWSS4	30 x 24 x 8	762 x 610 x 203	14/16	3024P	28.00 x 22.00	711 x 559	28.50 x 22.37	724 x 568	26.25 x 17.62	667 x 448	2	5.00	127	--	--
30308-SDSS4	-	30 x 30 x 8	762 x 762 x 203	14/14	3030P	28.00 x 28.00	711 x 711	28.50 x 28.37	724 x 721	-	-	2	5.00	127	--	--
36248-SDSS4	-	36 x 24 x 8	914 x 610 x 203	14/16	3624P	34.00 x 22.00	864 x 559	34.50 x 22.37	876 x 568	-	-	2	5.00	127	--	--
36308-SDSS4	-	36 x 30 x 8	914 x 762 x 203	14/14	3630P	34.00 x 28.00	864 x 711	34.50 x 28.37	876 x 721	-	-	2	5.00	127	--	--
36368-SDSS4	-	36 x 36 x 8	914 x 914 x 203	14/14	3636P	34.00 x 34.00	864 x 864	34.50 x 34.37	876 x 873	-	-	4	5.00	127	--	--
201610-SDSS4	-	20 x 16 x 10	508 x 406 x 254	14/14	2016P	18.00 x 14.00	457 x 356	18.50 x 14.37	470 x 365	-	-	1	--	--	10.00	254
302010-SDSS4	-	30 x 20 x 10	762 x 508 x 254	14/14	3020P	28.00 x 18.00	711 x 457	28.50 x 18.37	724 x 467	-	-	2	5.00	127	--	--
423010-SDSS4	-	42 x 30 x 10	1067 x 762 x 254	14/14	4230P	40.00 x 28.00	1016 x 711	40.50 x 28.37	1029 x 721	-	-	5	5.00	127	21.00	533
202012-SDSS4	202012-SDWSS4	20 x 20 x 12	508 x 508 x 305	14/14	2020P	18.00 x 18.00	457 x 457	18.50 x 18.37	470 x 467	16.25 x 15.00	413 x 381	1	--	--	10.00	254
242012-SDSS4	-	24 x 20 x 12	610 x 508 x 305	14/14	2420P	22.00 x 18.00	559 x 457	22.50 x 18.37	572 x 467	-	-	2	5.00	127	--	--
242412-SDSS4	-	24 x 24 x 12	610 x 610 x 305	14/14	2424P	22.00 x 22.00	559 x 559	22.50 x 22.37	572 x 568	-	-	2	5.00	127	--	--
302412-SDSS4	302412-SDWSS4	30 x 24 x 12	762 x 610 x 305	14/14	3024P	28.00 x 22.00	711 x 559	28.50 x 22.37	724 x 568	26.25 x 17.62	667 x 448	2	5.00	127	--	--
303012-SDSS4	-	30 x 30 x 12	762 x 762 x 305	14/14	3030P	28.00 x 28.00	711 x 711	28.50 x 28.37	724 x 724	-	-	2	5.00	127	--	--
362412-SDSS4	-	36 x 24 x 12	914 x 610 x 305	14/14	3624P	34.00 x 22.00	864 x 559	34.50 x 22.37	876 x 568	-	-	2	5.00	127	--	--
363012-SDSS4	-	36 x 30 x 12	914 x 762 x 305	14/14	3630P	34.00 x 28.00	864 x 711	34.50 x 28.37	876 x 721	-	-	2	5.00	127	--	--
363612-SDSS4	-	36 x 36 x 12	914 x 914 x 305	14/14	3636P	34.00 x 34.00	864 x 864	34.50 x 34.37	876 x 873	-	-	4	5.00	127	--	--
423612-SDSS4	-	42 x 36 x 12	1067 x 914 x 305	14/14	4236P	40.00 x 34.00	1016 x 864	40.50 x 34.37	1029 x 873	-	-	5	5.00	127	21.00	533
483612-SDSS4	-	48 x 36 x 12	1219 x 914 x 305	14/14	4836P	46.00 x 34.00	1168 x 864	46.50 x 34.37	1181 x 873	-	-	5	5.00	127	24.00	609
603612-SDSS4	-	60 x 36 x 12	1524 x 914 x 305	14/14	6036P	58.00 x 34.00	1473 x 864	58.50 x 34.37	1486 x 873	-	-	5	5.00	127	30.00	762
242416-SDSS4	-	24 x 24 x 16	610 x 610 x 406	14/14	2424P	22.00 x 22.00	559 x 559	22.50 x 22.37	572 x 568	-	-	2	5.00	127	--	--
302416-SDSS4	-	30 x 24 x 16	762 x 610 x 406	14/14	3024P	28.00 x 22.00	711 x 559	28.50 x 22.37	724 x 568	-	-	2	5.00	127	--	--
423616-SDSS4	-	42 x 36 x 16	1067 x 914 x 406	14/14	4236P	40.00 x 34.00	1016 x 864	40.50 x 34.37	1029 x 873	-	-	5	5.00	127	21.00	533
483616-SDSS4	-	48 x 36 x 16	1219 x 914 x 406	14/14	4836P	46.00 x 34.00	1168 x 864	46.50 x 34.37	1181 x 873	-	-	5	5.00	127	24.00	609
603616-SDSS4	-	60 x 36 x 16	1524 x 914 x 406	14/14	6036P	58.00 x 34.00	1473 x 864	58.50 x 34.37	1486 x 873	-	-	5	5.00	127	30.00	762

Type 4X Panel Enclosures

See dimensional drawings on page 211.
* See page 212 for other panel information.

Notes: Dimensions are in inches. Millimeters shown are for reference only. Data subject to change without notice.

Type 4X Panel Enclosures

Wall-Mount Enclosures Type 4X Premier™ Series with Quarter-Turn Latches Catalog Number

Enclosure Catalog Number	Enclosure Size A x B x C		Door/ Body Gauge	Steel Panel Catalog Number	Stainless Steel Panel* Catalog Number	Panel Size H x W		Mounting D x E		Latch Qty	J		K			
											in.	mm	in.	mm	in.	mm
1084-SDSS6	10 x 8 x 4	254 x 203 x 102	16/16	108P	108PSS4	8.00 x 6.00	203 x 152	8.50 x 6.37	216 x 162	1	--	--	5.00	127		
1086-SDSS6	10 x 8 x 6	254 x 203 x 152	16/16	108P	108PSS4	8.00 x 6.00	203 x 152	8.50 x 6.37	216 x 162	1	--	--	5.00	127		
12106-SDSS6	12 x 10 x 6	305 x 254 x 152	16/16	1210P	1210PSS4	10.00 x 8.00	254 x 203	10.50 x 8.37	267 x 213	1	--	--	6.00	152		
12126-SDSS6	12 x 12 x 6	305 x 305 x 152	16/16	1212P	1212PSS4	10.00 x 10.00	254 x 254	10.50 x 10.37	267 x 264	1	--	--	6.00	152		
16126-SDSS6	16 x 12 x 6	406 x 305 x 152	16/16	1612P	1612PSS4	14.00 x 10.00	356 x 254	14.50 x 10.37	368 x 264	1	--	--	8.00	203		
16166-SDSS6	16 x 16 x 6	406 x 406 x 152	16/16	1616P	1616PSS4	14.00 x 14.00	356 x 356	14.50 x 14.37	368 x 365	1	--	--	8.00	203		
20166-SDSS6	20 x 16 x 6	508 x 406 x 152	16/16	2016P	2016PSS4	18.00 x 14.00	457 x 356	18.50 x 14.37	470 x 365	1	--	--	10.00	254		
20206-SDSS6	20 x 20 x 6	508 x 508 x 152	16/16	2020P	2020PSS4	18.00 x 18.00	457 x 457	18.50 x 18.37	470 x 467	1	--	--	10.00	254		
16128-SDSS6	16 x 12 x 8	406 x 305 x 203	16/16	1612P	1612PSS4	14.00 x 10.00	356 x 254	14.50 x 10.37	368 x 264	1	--	--	8.00	203		
16168-SDSS6	16 x 16 x 8	406 x 406 x 203	16/16	1616P	1616PSS4	14.00 x 14.00	356 x 356	14.50 x 14.37	368 x 365	1	--	--	8.00	203		
16208-SDSS6	16 x 20 x 8	406 x 508 x 203	16/16	2016P	2016PSS4	14.00 x 18.00	356 x 457	14.50 x 18.37	368 x 467	1	--	--	8.00	203		
20168-SDSS6	20 x 16 x 8	508 x 406 x 203	16/16	2016P	2016PSS4	18.00 x 14.00	457 x 356	18.50 x 14.37	470 x 365	1	--	--	10.00	254		
20208-SDSS6	20 x 20 x 8	508 x 508 x 203	16/16	2020P	2020PSS4	18.00 x 18.00	457 x 457	18.50 x 18.37	470 x 467	1	--	--	10.00	254		
24168-SDSS6	24 x 16 x 8	610 x 406 x 203	16/16	2416P	2416PSS4	22.00 x 14.00	559 x 356	22.50 x 14.37	572 x 365	1	--	--	12.00	305		
24208-SDSS6	24 x 20 x 8	610 x 508 x 203	16/16	2420P	2420PSS4	22.00 x 18.00	559 x 457	22.50 x 18.37	572 x 467	1	--	--	12.00	305		
24248-SDSS6	24 x 24 x 8	610 x 610 x 203	14/16	2424P	2424PSS4	22.00 x 22.00	559 x 559	22.50 x 22.37	572 x 568	2	5.00	127	--	--		
30248-SDSS6	30 x 24 x 8	762 x 610 x 203	14/16	3024P	3024PSS4	28.00 x 22.00	711 x 559	28.50 x 22.37	724 x 568	2	5.00	127	--	--		
30308-SDSS6	30 x 30 x 8	762 x 762 x 203	14/14	3030P	3030PSS4	28.00 x 28.00	711 x 711	28.50 x 28.37	724 x 721	2	5.00	127	--	--		
36248-SDSS6	36 x 24 x 8	914 x 610 x 203	14/16	3624P	3624PSS4	34.00 x 22.00	864 x 559	34.50 x 22.37	876 x 568	2	5.00	127	--	--		
36308-SDSS6	36 x 30 x 8	914 x 762 x 203	14/14	3630P	3630PSS4	34.00 x 28.00	864 x 711	34.50 x 28.37	876 x 721	2	5.00	127	--	--		
36368-SDSS6	36 x 36 x 8	914 x 914 x 203	14/14	3636P	3636PSS4	34.00 x 34.00	864 x 864	34.50 x 34.37	876 x 873	4	5.00	127	18.00	457		
201610-SDSS6	20 x 16 x 10	508 x 406 x 254	14/14	2016P	2016PSS4	18.00 x 14.00	457 x 356	18.50 x 14.37	470 x 365	1	--	--	10.00	254		
302010-SDSS6	30 x 20 x 10	762 x 508 x 254	14/14	3020P	3020PSS4	28.00 x 18.00	711 x 457	28.50 x 18.37	724 x 467	2	5.00	127	--	--		
423010-SDSS6	42 x 30 x 10	1067 x 762 x 254	14/14	4230P	4230PSS4	40.00 x 28.00	1016 x 711	40.50 x 28.37	1029 x 721	5	5.00	127	21.00	533		
202012-SDSS6	20 x 20 x 12	508 x 508 x 305	14/14	2020P	2020PSS4	18.00 x 18.00	457 x 457	18.50 x 18.37	470 x 467	1	--	--	10.00	254		
242012-SDSS6	24 x 20 x 12	610 x 508 x 305	14/14	2420P	2420PSS4	22.00 x 18.00	559 x 457	22.50 x 18.37	572 x 467	2	5.00	127	--	--		
242412-SDSS6	24 x 24 x 12	610 x 610 x 305	14/14	2424P	2424PSS4	22.00 x 22.00	559 x 559	22.50 x 22.37	572 x 568	2	5.00	127	--	--		
302412-SDSS6	30 x 24 x 12	762 x 610 x 305	14/14	3024P	3024PSS4	28.00 x 22.00	711 x 559	28.50 x 22.37	724 x 568	2	5.00	127	--	--		
362412-SDSS6	36 x 24 x 12	914 x 610 x 305	14/14	3624P	3624PSS4	34.00 x 22.00	864 x 559	34.50 x 22.37	876 x 568	2	5.00	127	--	--		
303012-SDSS6	30 x 30 x 12	762 x 762 x 305	14/14	3030P	3030PSS4	28.00 x 28.00	711 x 711	28.50 x 28.37	724 x 724	2	5.00	127	--	--		
363012-SDSS6	36 x 30 x 12	914 x 762 x 305	14/14	3630P	3630PSS4	34.00 x 28.00	864 x 711	34.50 x 28.37	876 x 721	2	5.00	127	--	--		
363612-SDSS6	36 x 36 x 12	914 x 914 x 305	14/14	3636P	3636PSS4	34.00 x 34.00	864 x 864	34.50 x 34.37	876 x 873	4	5.00	127	18.00	457		
423612-SDSS6	42 x 36 x 12	1067 x 914 x 305	14/14	4236P	4236PSS4	40.00 x 34.00	1016 x 864	40.50 x 34.37	1029 x 873	5	5.00	127	21.00	533		
483612-SDSS6	48 x 36 x 12	1219 x 914 x 305	14/14	4836P	4836PSS4	46.00 x 34.00	1168 x 559	46.50 x 34.37	1181 x 873	5	5.00	127	24.00	609		
603612-SDSS6	60 x 36 x 12	1524 x 914 x 305	14/14	6036P	6036PSS4	58.00 x 34.00	1473 x 559	58.50 x 34.37	1486 x 873	5	5.00	127	30.00	762		
242416-SDSS6	24 x 24 x 16	610 x 610 x 406	14/14	2424P	2424PSS4	22.00 x 22.00	559 x 559	22.50 x 22.37	572 x 568	2	5.00	127	--	--		
302416-SDSS6	30 x 24 x 16	762 x 610 x 406	14/14	3024P	3024PSS4	28.00 x 22.00	711 x 559	28.50 x 22.37	724 x 568	2	5.00	127	--	--		
423616-SDSS6	42 x 36 x 16	1067 x 914 x 406	14/14	4236P	4236PSS4	40.00 x 34.00	1016 x 864	40.50 x 34.37	1029 x 873	5	5.00	127	21.00	533		
483616-SDSS6	48 x 36 x 16	1219 x 914 x 406	14/14	4836P	4836PSS4	46.00 x 34.00	1168 x 864	46.50 x 34.37	1181 x 873	5	5.00	127	24.00	609		
603616-SDSS6	60 x 36 x 16	1524 x 914 x 406	14/14	6036P	6036PSS4	58.00 x 34.00	1473 x 864	58.50 x 34.37	1486 x 873	5	5.00	127	30.00	762		

See dimensional drawings on page 211.

* See page 212 for other panel information.

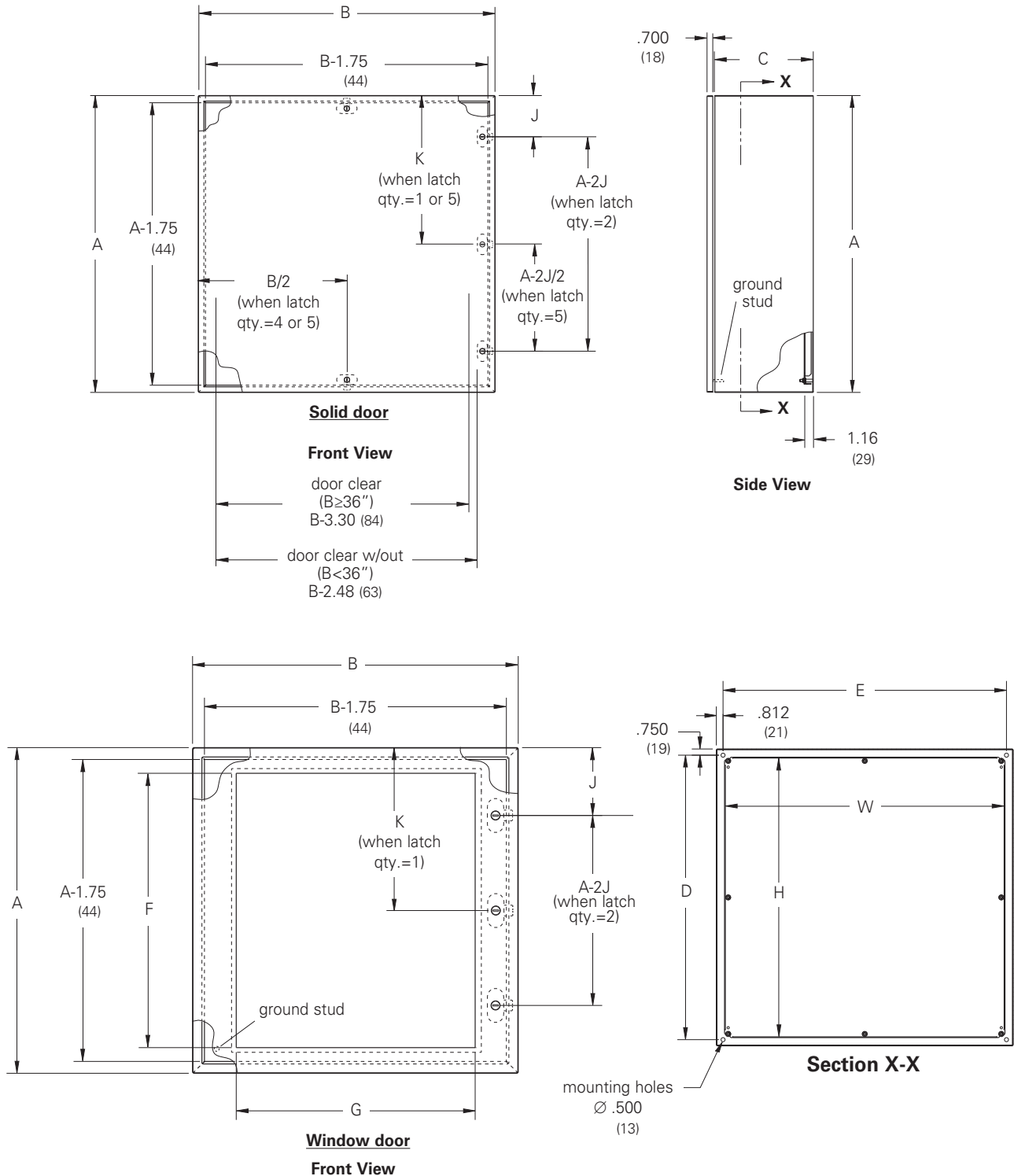
Notes: Dimensions are in inches. Millimeters shown are for reference only. Data subject to change without notice.

Wall-Mount Enclosures

Type 4X Premier™ Series, Stainless Steel With Quarter-Turn Latches

Illustration Sheet

See pages 207 & 208 for dimensions.



Type 4X Panel Enclosures

Notes: Dimensions are in inches. Millimeters shown are for reference only. Data subject to change without notice.

Type 4X Panel Enclosures

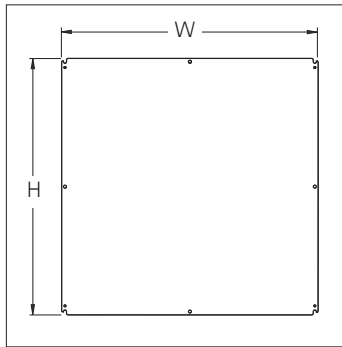
Premier™ Series Accessories

Discount Schedule: C2

Subclass: see below

Panels - Subclass: TDP

Premier panels can be installed in any Premier series enclosure and are up to 20% larger than standard NEMA panels. Panels above 24" are flanged. Steel panels have a white polyester powder paint finish. Stainless Steel and conductive galvanized sizes are available as shown in chart.



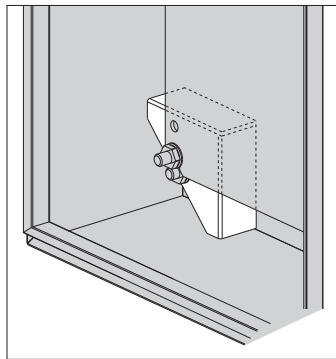
Conductive	Catalog Number		Panel Size H x W		Gauge
	Steel	Stainless	in.	mm	
108GP	108P	108PSS4	8.00 x 6.00	203 x 152	14
1210GP	1210P	1210PSS4	10.00 x 8.00	254 x 203	14
1212GP	1212P	1212PSS4	10.00 x 10.00	254 x 254	14
1612GP	1612P	1612PSS4	14.00 x 10.00	356 x 254	14
1616GP	1616P	1616PSS4	14.00 x 14.00	356 x 356	12
2016GP	2016P	2016PSS4	18.00 x 14.00	457 x 356	12
2020GP	2020P	2020PSS4	18.00 x 18.00	457 x 457	12
2416GP	2416P	2416PSS4	22.00 x 14.00	559 x 356	12
2420GP	2420P	2420PSS4	22.00 x 18.00	559 x 457	12
2424GP	2424P	2424PSS4	22.00 x 22.00	559 x 559	12
2442GP	2442P	2442PSS4	22.00 x 40.00	559 x 1016	12
3020GP	3020P	3020PSS4	28.00 x 18.00	711 x 457	12
3024GP	3024P	3024PSS4	28.00 x 22.00	711 x 559	12
3030GP	3030P	3030PSS4	28.00 x 28.00	711 x 711	12
3048GP	3048P	3048PSS4	28.00 x 46.00	711 x 1168	12
3060GP	3060P	3060PSS4	28.00 x 58.00	711 x 1473	12
3624GP	3624P	3624PSS4	34.00 x 22.00	864 x 559	12
3630GP	3630P	3630PSS4	34.00 x 28.00	864 x 711	12
3636GP	3636P	3636PSS4	34.00 x 34.00	864 x 864	12
4230GP	4230P	4230PSS4	40.00 x 28.00	1016 x 711	12
4236GP	4236P	4236PSS4	40.00 x 34.00	1016 x 864	12
4824GP	4824P	4824PSS4	46.00 x 22.00	1168 x 559	12
4836GP	4836P	4836PSS4	46.00 x 34.00	1168 x 864	12
6036GP	6036P	6036PSS4	58.00 x 34.00	1473 x 864	12

NEMA Panel Adapters - Subclass: TD0

NEMA panel adapters allow standard NEMA panels to be used in Premier series enclosures. Decreased height and width of NEMA panels increase space around panel for wire management. Kit includes four adapters and four .375-16 flanged hex nuts.

Finish: Zinc Plated

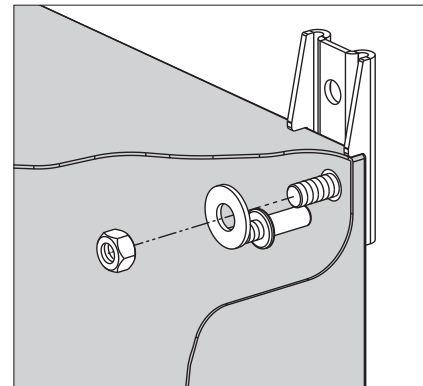
(Note: Cannot be used with enclosures 12" x 12" (305 mm x 305 mm) or smaller)



Catalog Number	Qty.	For use with Premier Enclosures
PCK4	4	30" x 30" or smaller

Mounting Foot Kits - Subclass: TD0

Mounting foot kits are available in stainless steel. Four feet and hardware are included.



Catalog Number	Qty.	Description
WMKSS6	4	Type 316 Stainless Steel

Notes: Dimensions are in inches. Millimeters shown are for reference only. Data subject to change without notice.

Premier™ Series Accessories

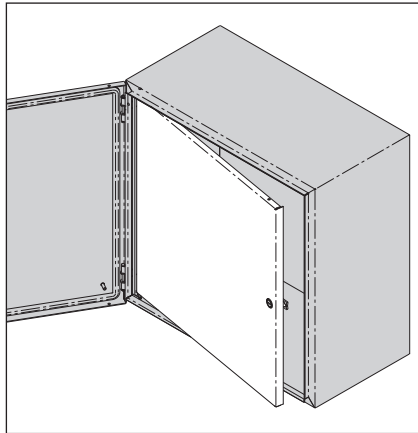
Discount Schedule: C2

Subclass: TD0

Swing-Out Panels

Swing-out panels offer a means for mounting user components and equipment near the front of an enclosure opening. Panel pivots from front of enclosure to allow easy access to internal equipment. Swing-out panels are 14 gauge with a white polyester powder finish and includes all hardware for mounting to front flange of enclosure.

(Note: Cannot be used in conjunction with depth adjustment brackets).



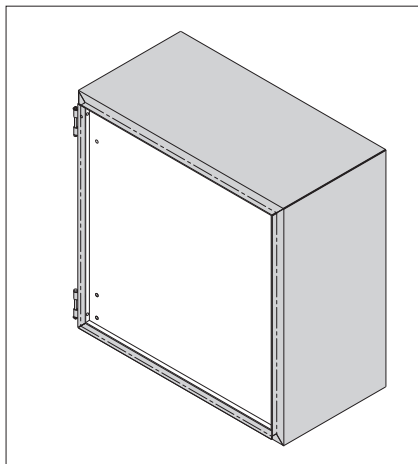
Note: Swing-out panel distance from panel face to inside of enclosure cover equals 1¹/₄".

Catalog Number	Panel Size Height x Width		For use with Premier Enclosures A x B
	in.	mm	
1212SP	9.78 x 9.84	248 x 250	12"x12"
1612SP	13.78 x 9.84	350 x 250	16"x12"
1616SP	13.78 x 13.84	350 x 352	16"x16"
1620SP	13.78 x 17.84	350 x 453	16"x20"
2016SP	17.78 x 13.84	452 x 352	20"x16"
2020SP	17.78 x 17.84	452 x 453	20"x20"
2024SP	17.78 x 21.84	452 x 555	20"x24"
2416SP	21.78 x 13.84	553 x 352	24"x16"
2420SP	21.78 x 17.84	553 x 453	24"x20"
2424SP	21.78 x 21.84	553 x 555	24"x24"
3020SP	27.78 x 17.84	706 x 453	30"x20"
3024SP	27.78 x 21.84	706 x 555	30"x24"
3030SP	27.78 x 27.84	706 x 707	30"x30"
3624SP	33.78 x 21.84	858 x 555	36"x24"
3630SP	33.78 x 27.84	858 x 707	36"x30"
3636SP	33.78 x 33.84	858 x 860	36"x36"

Dead Front Panels

Dead front kits offer a means for mounting user components and equipment near the front of an enclosure opening. Also creates a barrier and controls access to the enclosure interior. Kit includes ANSI 61 gray panel and all hardware for mounting to enclosures.

(Note: Cannot be used in conjunction with depth adjustment brackets).



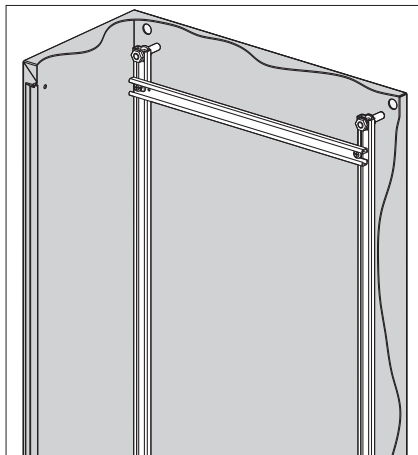
Note: Dead front panel distance from panel face to inside of enclosure cover equals 1¹/₄".

Catalog Number	For use with Premier Enclosures A x B
1212DF	12"x12"
1612DF	16"x12"
2016DF	20"x16"
2020DF	20"x20"
2420DF	24"x20"
2424DF	24"x24"
3024DF	30"x24"

Mounting Channels

Mounting channels create a vertical or horizontal framework for DIN rail, flexible mounting straps, or other component attachment. Two channels provided for mounting on enclosure collar studs.

Finish: Zinc Plated



Catalog Number	Qty.	For use with Premier Enclosures
12MC	2	12" height or width
16MC	2	16" height or width
20MC	2	20" height or width
24MC	2	24" height or width
30MC	2	30" height or width
36MC	2	36" height or width
42MC	2	42" height or width
48MC	2	48" height or width
60MC	2	60" height or width

Notes: Dimensions are in inches. Millimeters shown are for reference only. Data subject to change without notice.

Type 4X Panel Enclosures

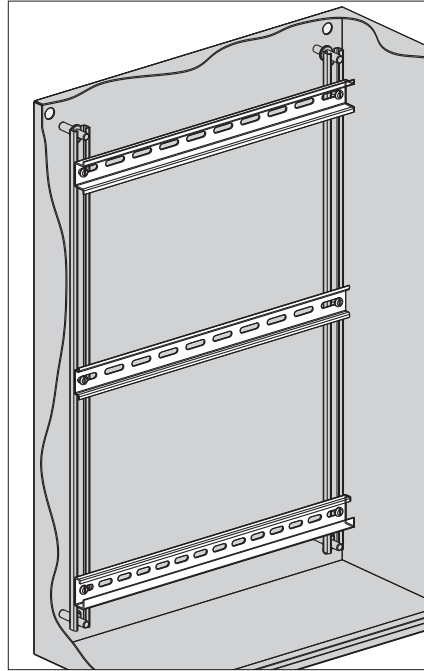
Premier™ Series Accessories

Discount Schedule: C2

Subclass: TD0

DIN Rail Kits

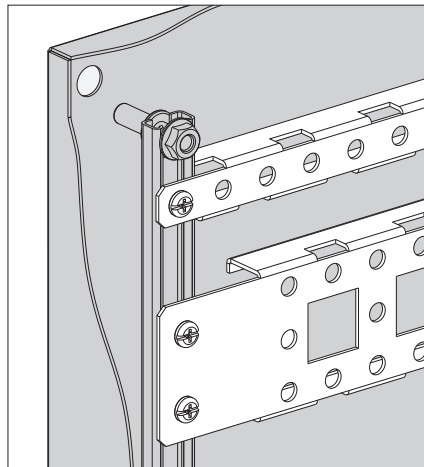
DIN rail kits provide flexibility for mounting DIN type snap-on equipment. Three styles; TS32x15, slotted; TS35x7.5, slotted; TS35x15, slotted all attach to collar studs either horizontally or vertically. Three DIN rails, screws and channel nuts are provided. Finish: Yellow Zinc



Catalog Number	Description	For use with Premier Enclosures
12DR1P	TS32 x 15, slotted	12" height or width
16DR1P	TS32 x 15, slotted	16" height or width
20DR1P	TS32 x 15, slotted	20" height or width
24DR1P	TS32 x 15, slotted	24" height or width
12DR3P	TS35 x 7.5, slotted	12" height or width
16DR3P	TS35 x 7.5, slotted	16" height or width
20DR3P	TS35 x 7.5, slotted	20" height or width
24DR3P	TS35 x 7.5, slotted	24" height or width
12DRCP	TS35 x 15, slotted	12" height or width
16DRCP	TS35 x 15, slotted	16" height or width
20DRCP	TS35 x 15, slotted	20" height or width
24DRCP	TS35 x 15, slotted	24" height or width

Flexible Mounting Straps

Flexible mounting straps offer a versatile, horizontal or vertical mounting method inside enclosure body. Two designs; 1-hole or 3-hole pattern increase mounting flexibility and attach to enclosure collar studs. Flexible mounting strap kit contains two straps and hardware. Finish: Zinc Plated



Catalog Number	Description	Fits Premier Enclosures
12GS1	1 hole	12" height or width
16GS1	1 hole	16" height or width
20GS1	1 hole	20" height or width
24GS1	1 hole	24" height or width
30GS1	1 hole	30" height or width
36GS3	3 hole	36" height or width
42GS3	3 hole	42" height or width
48GS3	3 hole	48" height or width
60GS3	3 hole	60" height or width

Notes: Dimensions are in inches. Millimeters shown are for reference only. Data subject to change without notice.

Premier™ Series Accessories

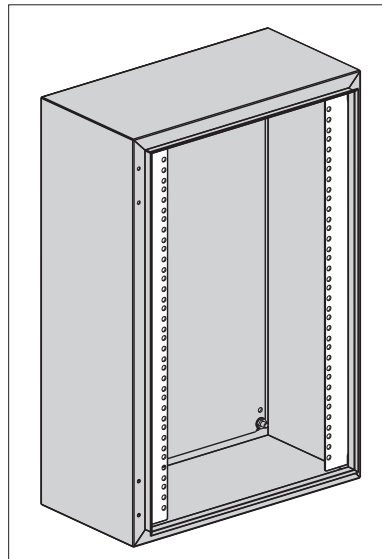
Discount Schedule: C2

Subclass: TD0

Rack Mounting Angles

Relay rack angles are designed for mounting EIA 19" rack mount equipment inside 24" wide enclosures. Fabricated from 14 gauge steel and zinc plated. Rack angles are mounted to enclosure flange with hardware provided. Rack mount angles are untapped and require screws and cage nuts for equipment mounting (order separately).

Finish: Zinc Plated



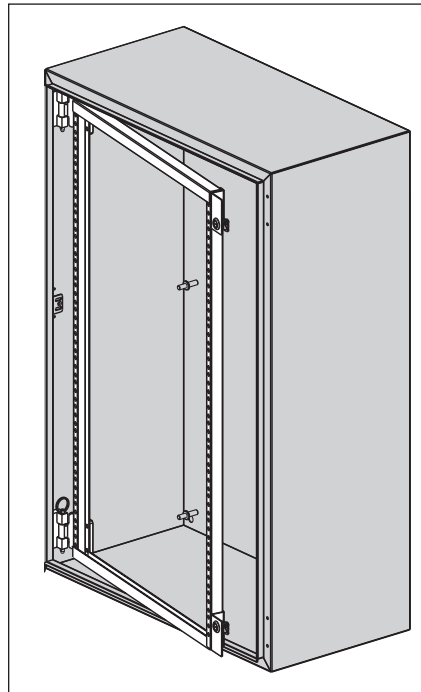
Catalog Number	For use with Premier Enclosures	Mounting Units
10URMA	20" height	10
12URMA	24" height	12
16URMA	30" height	16
19URMA	36" height	19
26URMA	48" height	26

Universal Spacing [5/8" (16mm), 5/8" (16mm), 1/2" (13mm)]

Swing-Out Rack Frames

Swing-out rack frames allow mounting of EIA 19" rack mount equipment. Flexible pivoting framework provides access to back of equipment or other internal components. Designed for use with 24" wide Premier series enclosures. Mounting hardware included. Swing-out rack frame holes are untapped and require screws and cage nuts for equipment mounting (order separately).

(Note: Cannot be used in conjunction with depth adjustment brackets).
Finish: ANSI Gray Polyester Powder



Catalog Number	For use with Premier Enclosures	Mounting Units
2424SF	24" x 24"	11
3024SF	30" x 24"	15
3624SF	36" x 24"	18

Universal Spacing [(5/8" (16mm), 5/8" (16mm), 1/2" (13mm)]

Notes: Dimensions are in inches. Millimeters shown are for reference only. Data subject to change without notice.

Type 4X Panel Enclosures

Premier™ Series Accessories

Discount Schedule: C2

Subclass: TD0

Handles

Padlocking, key-locking or non-locking handles are interchangeable with standard slotted quarter-turn flush latch on Premier series enclosures. Available keyed alike or keyed different, please specify when ordering.



Catalog Number	Description	Latch Type
WMHNL	Wall-mount handle, non-locking	Single point
WMHK-01	Wall-mount handle, key-locking - keyed 01	Single point
WMHK-02	Wall-mount handle, key-locking - keyed 02	Single point
WMHK-03	Wall-mount handle, key-locking - keyed 03	Single point
WMHK-04	Wall-mount handle, key-locking - keyed 04	Single point
WMHPTO	Wall-mount handle, padlockable	Single point

Security Latch Inserts

Security latch inserts interchange with slotted quarter-turn flush latch and provide security and control access to interior of enclosure. Inserts include matching key.



7MTLK

Catalog Number	Description	Latch Type
7MTLK	7mm triangular latch insert	Single point
7MSLK	7mm square latch insert	Single point
3MDBLK	3mm double bit latch insert	Single point



7MSLK



3MDBLK

Print Pockets

Print pockets provide a convenient place to store operation manuals, diagrams, or other documents inside the enclosure. Thermoplastic pockets are gray and have cut away areas for viewing contents. Pockets have adhesive backing for mounting inside on enclosure door.



Catalog Number	Length x Width
32170	6" x 6"
32171	10" x 10"

Notes: Dimensions are in inches. Millimeters shown are for reference only. Data subject to change without notice.

Premier™ Series Accessories

Discount Schedule: C2

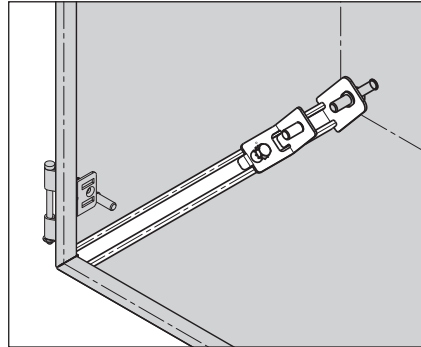
Subclass: TD0

Depth Adjustment Brackets

Depth adjustment brackets allow variable depth mounting of premier accessories. Designed for use with 6", 8" or 12" deep enclosures. Kit is available in quantities of 4 or 2 and includes mounting channel, adjustable mechanism and hardware. When enclosure has 6 collar studs, use two kits.

(**Note:** Not for use with swing-out rack frame, dead front panel or swing-out panel).

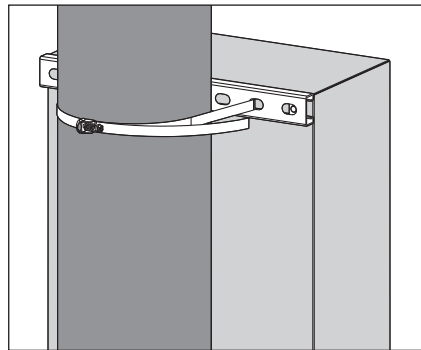
Finish: Zinc Plated



Catalog Number	Qty.	For use with Premier Enclosures
64AMK	4	6" depth or greater
84AMK	4	8" depth or greater
82AMK	2	8" depth or greater
124AMK	4	12" depth or greater
122AMK	2	12" depth or greater

Pole Mounting Kits

Pole mounting kits allow installation of enclosure on round or rectangular poles. Kit includes hot dip galvanized after fabrication strut channel, stainless steel band and hardware for top and bottom mounting of enclosure.



Note: Pole diameter range 4" minimum to 12" maximum.

Catalog Number	For use with Premier Enclosures
12PMK	12" width
16PMK	16" width
20PMK	20" width
24PMK	24" width
30PMK	30" width

Hardware

Phillips head screws and cage nuts are available in #10-32, #12-24 or M6 and allow mounting of equipment to untapped holes in rack mounting angles and swing-out rack frame.



Catalog Number	Screw Type
E2-MA-1032-PHMS-100	#10-32 Phillips
E2-MA-1224-PHMS-100	#12-24 Phillips
E2-MA-M6-PHMS-100	M6 Phillips
Catalog Number	Cage Nut Type
E2-MA-CN-1032-100	#10-32 Tapped
E2-MA-CN-1224-100	#12-24 Tapped
E2-MA-CN-M6-100	M6 Tapped

Sold in bags of 100 pieces.

Notes: Dimensions are in inches. Millimeters shown are for reference only. Data subject to change without notice.

Type 4X Panel Enclosures

Wall-Mount Enclosures Type 4X Single-Door with 3-Point Locking Data Sheet and Catalog Number



Application

- Houses electrical controls and instruments
- Intended for indoor or outdoor use where a corrosive environment exists
- Protects against windblown dust and rain, splashing water and hose directed water

Standards

- UL 508A Listed, Type 3R, 4, 4X, 12
- CSA C22.2 No.94 certified, Type 3R, 4, 4X, 12
- Conforms to NEMA Standards for Type 3, 3R, 4, 4X, 12

Finish

- Door and sides of body have a smooth #4 brushed finish

Accessories

- Panels
- Swing-out panel kits
- NEMA terminal kits
- Window kits
- Floor stand kit
- Replacement handle, BD-PKHSS, see page 429

Construction

- Enclosure and door are fabricated from (14) gauge stainless steel
- All continuous welded seams are finished smooth
- Stainless Steel continuous hinge and pin
- Internal 3-point latching with a stainless padlocking handle
- Door has a seamless poured in-place gasket
- Formed lip around enclosure opening diverts liquids and contaminants
- Ground stud provided on door and body
- Print pocket provided
- .375-16 colar studs are provided for mounting optional panel
- External mounting feet

Discount Schedule: C2

Subclass: DG3

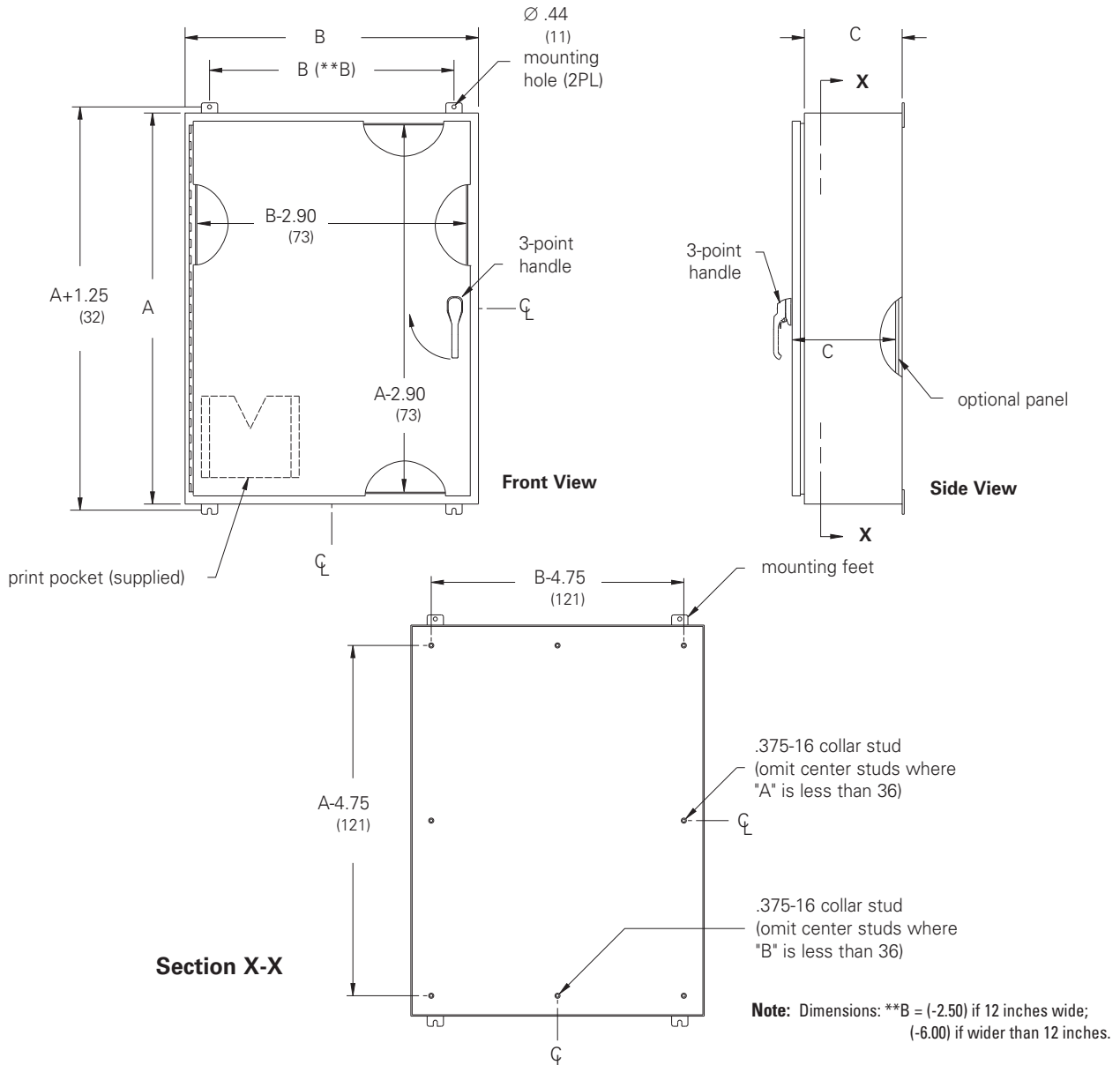
Enclosure		Enclosure Size Height x Width x Depth A x B x C		Panel	Conductive Panel	Panel Size	
Type 304 Catalog Number	Type 316L Catalog Number	in.	mm	Catalog Number	Catalog Number	Height in.	Width mm
24206-4XS3PT	24206-4XSS63PT	24 x 20 x 6	609 x 508 x 152	AW2420P	AW2420GP	20.87 x 16.87	530 x 428
24208-4XS3PT	24208-4XSS63PT	24 x 20 x 8	609 x 508 x 203	AW2420P	AW2420GP	20.87 x 16.87	530 x 428
24248-4XS3PT	24248-4XSS63PT	24 x 24 x 8	609 x 609 x 203	AW2424P	AW2424GP	20.87 x 20.87	530 x 530
30248-4XS3PT	30248-4XSS63PT	30 x 24 x 8	762 x 609 x 203	AW3024P	AW3024GP	26.87 x 20.87	682 x 530
30308-4XS3PT	30308-4XSS63PT	30 x 30 x 8	762 x 762 x 203	AW3030P	AW3030GP	26.87 x 26.87	682 x 682
36248-4XS3PT	36248-4XSS63PT	36 x 24 x 8	914 x 609 x 203	AW3624P	AW3624GP	32.87 x 20.87	835 x 530
36308-4XS3PT	36308-4XSS63PT	36 x 30 x 8	914 x 762 x 203	AW3630P	AW3630GP	32.87 x 26.87	835 x 682
48368-4XS3PT	48368-4XSS63PT	48 x 36 x 8	1219 x 914 x 203	AW4836P	AW4836GP	44.87 x 32.87	1139 x 835
242010-4XS3PT	242010-4XSS63PT	24 x 20 x 10	609 x 508 x 254	AW2420P	AW2420GP	20.87 x 16.87	530 x 428
363010-4XS3PT	363010-4XSS63PT	36 x 30 x 10	914 x 762 x 254	AW3630P	AW3630GP	32.87 x 26.87	835 x 682
423010-4XS3PT	423010-4XSS63PT	42 x 30 x 10	1067 x 762 x 254	AW4230P	AW4230GP	38.87 x 26.87	987 x 682
483610-4XS3PT	483610-4XSS63PT	48 x 36 x 10	1219 x 914 x 254	AW4836P	AW4836GP	44.87 x 32.87	1139 x 835

Continued on following page

Notes: We can provide special sizes, finishes and other modifications. Consult the factory for your special requirements.

Wall-Mount Enclosures Type 4X Single-Door with 3-Point Locking Illustration Sheet and Catalog Number

Enclosure		Enclosure Size Height x Width x Depth A x B x C		Panel	Conductive Panel	Panel Size	
Type 304 Catalog Number	Type 316L Catalog Number	in.	mm	Catalog Number	Catalog Number	Height x Width in.	mm
242412-4XS3PT	242412-4XSS63PT	24 x 24 x 12	609 x 609 x 305	AW2424P	AW2424GP	20.87 x 20.87	530 x 530
302412-4XS3PT	302412-4XSS63PT	30 x 24 x 12	762 x 609 x 305	AW3024P	AW3024GP	26.87 x 20.87	682 x 530
363012-4XS3PT	363012-4XSS63PT	36 x 30 x 12	914 x 762 x 305	AW3630P	AW3630GP	32.87 x 26.87	835 x 682
363612-4XS3PT	363612-4XSS63PT	36 x 36 x 12	914 x 914 x 305	AW3636P	AW3636GP	32.87 x 32.87	835 x 835
423612-4XS3PT	423612-4XSS63PT	42 x 36 x 12	1067 x 914 x 305	AW4236P	AW4236GP	38.87 x 32.87	987 x 835
483612-4XS3PT	483612-4XSS63PT	48 x 36 x 12	1219 x 914 x 305	AW4836P	AW4836GP	44.87 x 32.87	1139 x 835
603612-4XS3PT	603612-4XSS63PT	60 x 36 x 12	1524 x 914 x 305	AW6036P	AW6036GP	56.87 x 32.87	1444 x 835
483616-4XS3PT	483616-4XSS63PT	48 x 36 x 16	1219 x 914 x 406	AW4836P	AW4836GP	44.87 x 32.87	1139 x 835
603616-4XS3PT	603616-4XSS63PT	60 x 36 x 16	1524 x 914 x 406	AW6036P	AW6036GP	56.87 x 32.87	1444 x 835



Notes: Dimensions are in inches. Millimeters shown are for reference only. Data subject to change without notice.

Type 4X Panel Enclosures

Wall-Mount Enclosures Type 4X Double-Door with 3-Point Locking Data Sheet and Catalog Number



Application

- Houses electrical controls and instruments
- Intended for indoor or outdoor use where a corrosive environment exists
- Protects against corrosion, windblown dust and rain, splashing water and hose directed water

Standards

- UL 508A Listed, Type 3R, 4, 4X, 12
- CSA C22.2 No.94 certified, Type 3R, 4, 4X, 12
- Conforms to NEMA Standards for Type 3, 3R, 4, 4X, 12

Finish

- Door and sides of body have a smooth #4 brushed finish

Accessories

- Panels
- Swing-out panel kits
- Window kits
- Floor stand kit
- Lights
- Replacement handle, BD-PKHSS, see page 429

Construction

- Enclosure and cover are fabricated from (14) Gauge Stainless Steel
- All continuous welded seams are finished smooth
- Stainless steel continuous hinge and pin
- Internal 3-point latching with stainless padlocking handles
- Removable centerpost for easy panel installation
- Doors have a seamless poured in-place gasket
- Formed lip around enclosure opening diverts liquids and contaminants
- Ground stud provided on doors and body
- Print pocket provided
- .375-16 colar studs are provided for mounting optional panel
- External mounting feet

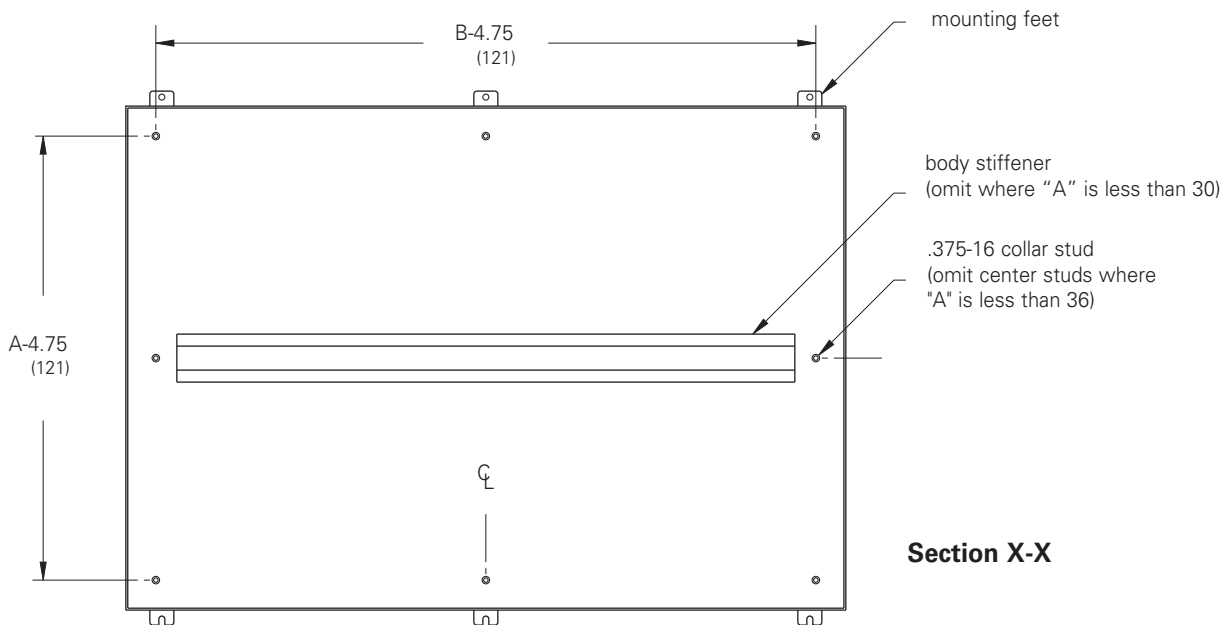
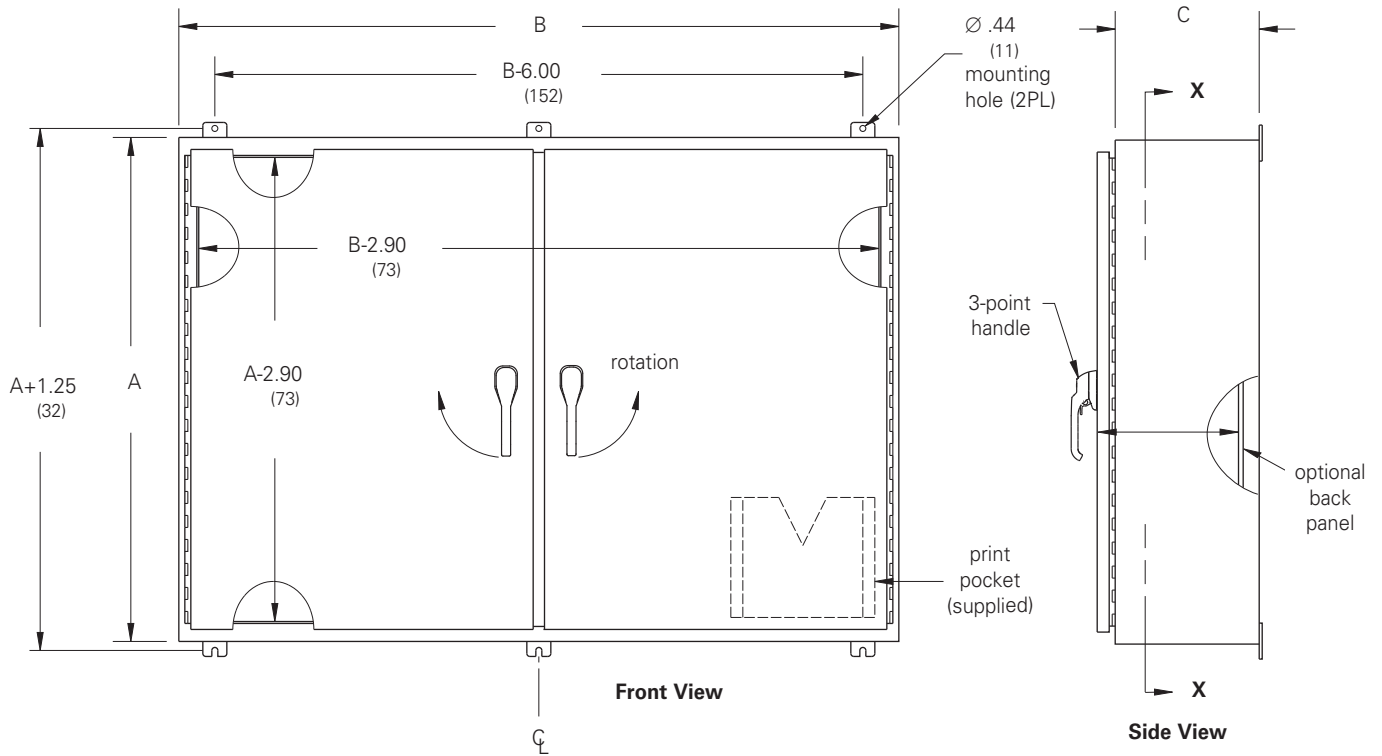
Discount Schedule: C2

Subclass: DG3

Enclosure Catalog Number	Enclosure Size Height x Width x Depth A x B x C		Panel Catalog Number	Conductive Panel Catalog Number	Panel Size Height x Width	
	in.	mm			in.	mm
24428-4XSD3PT	24 x 42 x 8	609 x 1067 x 203	AW4224P	--	38.87 x 20.87	987 x 530
24488-4XSD3PT	24 x 48 x 8	609 x 1219 x 203	AW4824P	--	44.87 x 20.87	1139 x 530
304210-4XSD3PT	30 x 42 x 10	762 x 1067 x 254	AW4230P	AW4230GP	38.87 x 26.87	987 x 682
304810-4XSD3PT	30 x 48 x 10	762 x 1219 x 254	AW4830P	AW4830GP	44.87 x 26.87	1139 x 682
306010-4XSD3PT	30 x 60 x 10	762 x 1524 x 254	AW6030P	--	56.87 x 26.87	1444 x 682
364212-4XSD3PT	36 x 42 x 12	914 x 1067 x 305	AW4236P	AW4236GP	38.87 x 32.87	987 x 835
364812-4XSD3PT	36 x 48 x 12	914 x 1219 x 305	AW4836P	AW4836GP	44.87 x 32.87	1139 x 835
366012-4XSD3PT	36 x 60 x 12	914 x 1524 x 305	AW6036P	AW6036GP	56.87 x 32.87	1444 x 835
424212-4XSD3PT	42 x 42 x 12	1067 x 1067 x 305	AW4242P	--	38.87 x 38.87	987 x 987
424812-4XSD3PT	42 x 48 x 12	1067 x 1219 x 305	AW4842P	AW4842GP	44.87 x 38.87	1139 x 987
426012-4XSD3PT	42 x 60 x 12	1067 x 1524 x 305	AW6042P	--	56.87 x 38.87	1444 x 987
484812-4XSD3PT	48 x 48 x 12	1219 x 1219 x 305	AW4848P	--	44.87 x 44.87	1139 x 1139

Notes: We can provide special sizes, finishes and other modifications. Consult the factory for your special requirements.

Wall-Mount Enclosures Type 4X Double-Door with 3-Point Locking Illustration Sheet



Notes: Dimensions are in inches. Millimeters shown are for reference only. Data subject to change without notice.