

SOUNDZ BAGGER AUDIO 6.75" IN FRONT FAIRING SPEAKER KIT

GENERAL

Models

2014-2020 Batwing Fairing Models

NOTE

The speakers in this kit are for use ONLY on specific 2014 and later Harley-Davidson audio systems.

Using these speakers on 2013 or earlier Harley-Davidson audio systems **will require additional parts**.

Installation Requirements



WARNING

Rider and passenger safety depend upon the correct installation of this kit. Use the appropriate service manual procedures. If the procedure is not within your capabilities or you do not have the correct tools, have a Soundz dealer perform the installation. Improper installation of this kit could result in death or serious injury.

NOTE

This instruction sheet refers to service manual information. A service manual for this year/model motorcycle is required for this installation. One is available from a Harley-Davidson dealer.

Kit Contents

See [Figure 2](#) and [Table 1](#).

PREPARATION

NOTE

For vehicles equipped with security siren: With security fob present, turn ignition switch ON.



WARNING

To prevent accidental vehicle start-up, which could cause death or serious injury, remove main fuse before proceeding.

See the service manual to remove the main fuse. Turn ignition switch OFF.

REMOVAL

1. Remove the outer fairing and windshield per the service manual.
2. See [Figure 1](#). Remove the harness anchor (2) from each speaker enclosure (1). Retain all fasteners for installation.
3. Unplug the speaker connector (3) on **one** enclosure.

4. **Right side only:** Unplug the power outlet connector [C132B] (not shown).

Left side only, CB-equipped models: Unplug the CB connector [184] (4) and CB antenna. See the service manual.

5. Remove the three screws (6) securing the lower portion of the enclosure to the fairing support bracket (5).

6. Remove two screws (8) securing the upper portion of the enclosure to the upper support bracket (7).

NOTE

Do not remove any of the screws (10) securing the speaker enclosure halves together.

7. Remove three screws (9) securing the speaker enclosure to the inner fairing. Remove the speaker enclosure from the vehicle.

8. Remove four screws (12) to free the speaker (11) from the enclosure.

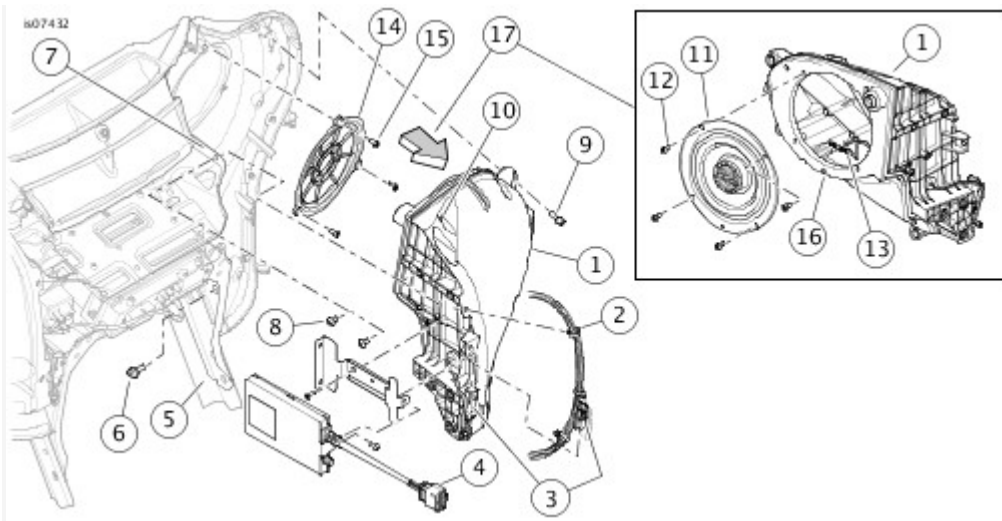
9. Disconnect wires (13). Remove the speaker from the enclosure.

10. Remove the three screws (15) securing the speaker grille (14) to the inner fairing. Remove the speaker grille from the fairing.

11. Repeat steps 3-10 to remove the remaining speaker enclosure.

NOTE

Never operate the vehicle with the speaker enclosures removed. The enclosures provide important structural support to the fairing. Operating without the enclosures in place can result in damage to the fairing assembly.



[View interactive image](#)

1

Speaker enclosure

2	Fairing harness anchor
3	Speaker connector
4	CB connector
5	Fairing support bracket
6	Screw, hex head socket, 5/16-18 x 3/4 in (19 mm) long (3)
7	Upper support bracket
8	Screw, hex socket, 1/4-20 x 1/2 in (13 mm) long (2)
9	Screw, hex socket, 1/4-20 x 3/4 in (19 mm) long (3)
10	DO NOT remove these screws (13)
11	Original 5-1/4 in (133 mm) speaker
12	Screw, TORX, #10 x 1/2 in (13 mm) long (4)
13	Speaker wire connectors
14	Speaker grille
15	Screw, TORX, #10 x 3/8 in (10 mm) long (3)
16	Alignment pin
17	View in direction of arrow

Figure 1. Speaker Enclosure Removal (Left Side Shown)

INSTALLATION

NOTE

See [Figure 2](#). The **new** speaker grilles are side-specific.

- The shortest mounting tab (A) mounts to the inboard side of the opening in the fairing.
- Verify proper orientation of the Soundz emblem before proceeding.

1. Install the correct speaker grille (2 or 3) from the kit into each side of the inner fairing. Secure with three TORX screws ([Figure 1](#) , Item 15) removed earlier. Tighten.

Torque: 1–1.47 NM (9–13 **in-lbs.**)

2. See [Figure 2](#). Rotate the speaker assembly (1) so the tweeter bridge (B) is 45 degrees outboard from the top. Verify that hole (C) in the speaker frame mates with the alignment pin ([Figure 1](#) inset, Item 16) on the speaker enclosure. Hole is marked "B" on left speaker, "A" on right speaker.

3. Attach the speaker wire connectors (13) inside one of the speaker enclosures to the spade terminals on the back of the **new** speaker. Different size spade contacts prevent improper assembly. **Small connector is the POSITIVE speaker connection, and the large connector is the NEGATIVE speaker connection.**

4. Install the speaker. Secure with four TORX screws (12) removed earlier. Tighten.

Torque: 1.6–2.3 NM (14–20 **in-lbs.**)

5. Install the speaker enclosure to the inner fairing. Secure with three hex socket screws (9) removed earlier. Tighten.

Torque: 5.4–6.8 NM (48–60 **in-lbs.**)

6. Secure the lower portion of the enclosure to the fairing support bracket (5) with three hex head socket screws (6) removed earlier. Tighten.

Torque: 27.1–32.5 NM (20–24 **ft-lbs.**)

7. Secure the enclosure to the upper support bracket with two hex socket screws (8). Tighten.

Torque: 5.4–6.8 NM (48–60 **in-lbs.**)

8. Repeat steps 2-7 with the remaining enclosure.

9. Mate the speaker and power outlet connectors. Secure the harness anchors to the speaker enclosures.
10. **Left side only, CB-equipped models:** Plug in the CB connector [184] and CB antenna. See the service manual.

COMPLETION

NOTE

To prevent possible damage to the sound system, verify that the ignition is OFF **before** installing the main fuse.

1. See the service manual to install the main fuse.
2. Turn the ignition ON, but do not start the motorcycle.

NOTE

Before installing outer fairing, check that speakers are operating correctly. Understand that buzzing, squeaks and rattles may be heard until outer fairing is installed.

3. Refer to the PREMIUM SOUND SYSTEM section of the owner's manual and turn the radio ON. Make sure that all speakers are working, and front/rear fader function is operating correctly. If not, check speaker wiring.
4. See the service manual to install the outer fairing and windshield.

WARNING

After installing seat, pull upward on seat to be sure it is locked in position. While riding, a loose seat can shift causing loss of control, which could result in death or serious injury.

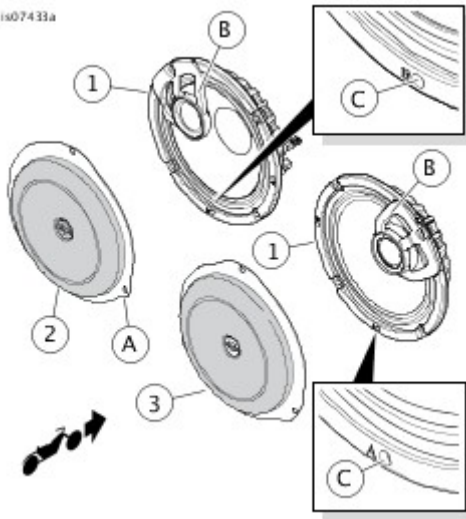
5. See the service manual to install the seat.

IN USE

Avoid direct contact with speaker grilles by a pressure washer. Damage to speakers can result.

SERVICE PARTS

is07433a



[View interactive image](#)

Figure 2. Service Parts, Soundz Bagger Audio 6.75" Front Fairing Speaker Kit

Table 1. Service Parts

ITEM	DESCRIPTION (QUANTITY)	PART NUMBER
1	Speaker assembly (2)	Street 65, Iron 61, Iron 65, Carbon65-s
2 & 3	Woofer grille Kit	SC-14SG
Optional	Speaker Enclosure Hardware Kit Provides Necessary Hardware If Damaged/Lost	SC-SBRM
Item mentioned in text.		
A	Short mounting tab – REMOVE FOR STREET 65 & IRON 61	
B	Tweeter bridge	
C	Alignment hole in speaker frame Marked "A" (right speaker), "B" (left speaker)	

Amplifier Installation Instructions

Street Glide/Ultra Models 2014-2020

Amplifier mounts to factory bracket via supplied Velcro. Clean surface of all dust, debris, and any oils using alcohol and/or adhesion promotor. Most auto parts stores sell a Duplicolor CP199 Adhesion Promotor for about \$8 that works wonders.

Orient the amplifier so the Soundz font faces towards the headlight, power block and output section towards the right speaker, and input section with adjustments towards the left speaker pod.

Wire Routing

Route power wires under tank and connect to battery, and ONLY the battery for both 12V+ & Ground.

Connect T-harness to appropriate input and output connections. Note that the clear color connectors go to the input side and black color connectors go to the output side. White/grey is front, and green/purple is rear, UNLESS otherwise noted as some models may deviate from this to accommodate special factory wiring in RARE scenarios.

Power Harness routed under tank, through trough, along the right side of the frame. Route along the main harness and along the right-side overlay harness up to the amplifier power input of the amplifier.

Remote turn on (without DSP) is connected behind the Volt gauge to the 2-pin accessory connector and then to the amplifier power input.

Once T-Harness is connected to both the radio and factory harness, the radio side of that main bundle will route to the left, zip tie to the plastic harness stay bracket below radio, then route the other side of our T-harness towards the right speaker pod with a zip tie on that overlay harness. Keep the large connection joint tucked in along the overlay harness so it does not interfere with the outer fairing.

Route the **speaker output** along this portion of the harness, along the tank side of the bundle, and up and along the fairing overlay harness, connect to output(s) of amplifier, with the excess being bundled behind the main two gauges.

Route the **speaker input** with a small service loop initially under the radio connection and towards right speaker pod, with about an inch of wire (allows enough slack to remove radio), then along the plastic harness stay bracket below radio towards the left speaker pod, along the left fairing overlay harness and up towards the amplifier input connection with the excess bundled and zip tied behind the main two gauges.

If using a DSP, refer to that part of the directions for remaining information.

Soundz HD-DSP 14-20 Installation instructions

Included with the HD-DSP is our proprietary T-harness, DSP to amp input harness, DSP module, and DSP bracket (not used with new water-resistant case on all models).

The bracket will mount to the Left (as you sit on bike) side of either batwing or shark nose fairing style (not used with new water-resistant case on all models).

Batwing - Mount the bracket against the Left speaker pod. It has two drilled holes that align with two studs protruding from the speaker pod, one is threaded, one is not. Then slide the point into the square slot with a hole in the center and use the supplied screw to tighten the bracket in place while putting force against those two studs. This will hold the bracket in place with tension and the screw.

Shark nose - Mount the bracket on the Left side of the main inner fairing bracket next to the speaker pod. Use holes C & D with the supplied screws.

Shark nose in new water-resistant case – mount below amplifier using the two main factory wire harnesses to mount the case loops to. The RCA cables route along the left side factory cable, next to the speaker enclosure, along the factory overlay harness, behind radio, and finally down to the inputs of the amplifier, zip tied together to avoid interruption of the headlight mounting.

Mount DSP using the Velcro supplied to bracket (when bracket is used).

If either model has a CB Module, disregard the bracket and use the Velcro to mount the DSP directly to the CB Module.

Connect DSP main T-harness to radio then connect the original radio harness to the receptacle of the T-harness.

Route and Connect the main DSP harness from T-harness to DSP. Fully seat harness.

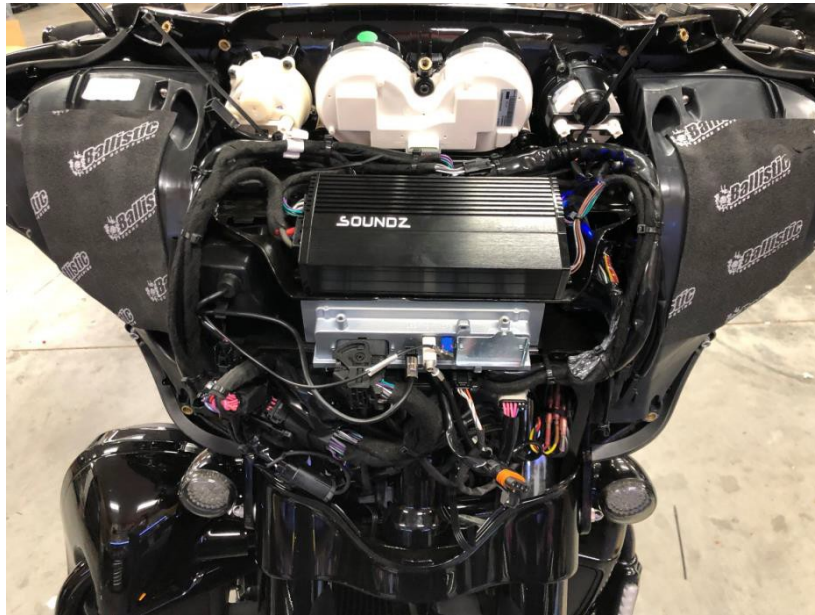
Route and connect the Input signal and remote turn on side of the DSP harness to DSP and then to the amplifier. Fully seat harness into DSP.

Connect the front amplifier input from DSP (white/grey wires in plug) to the front input of the amplifier.

Connect the rear amplifier input from DSP (green/purple wires in plug) to the rear input of the amplifier.

Connect the blue or blue/white stripe wire to the remote turn on input of the amplifier. DO NOT CONNECT ANY OTHER WIRE TO THIS SOURCE. Connecting another 12V or ground wire to this will damage components and will NOT be covered under warranty.

BATWING BALLISTIC OVER SPEAKER PODS



Rain Cover Installation Above Amplifier

