

Magnolia Pump & Equipment Inc.

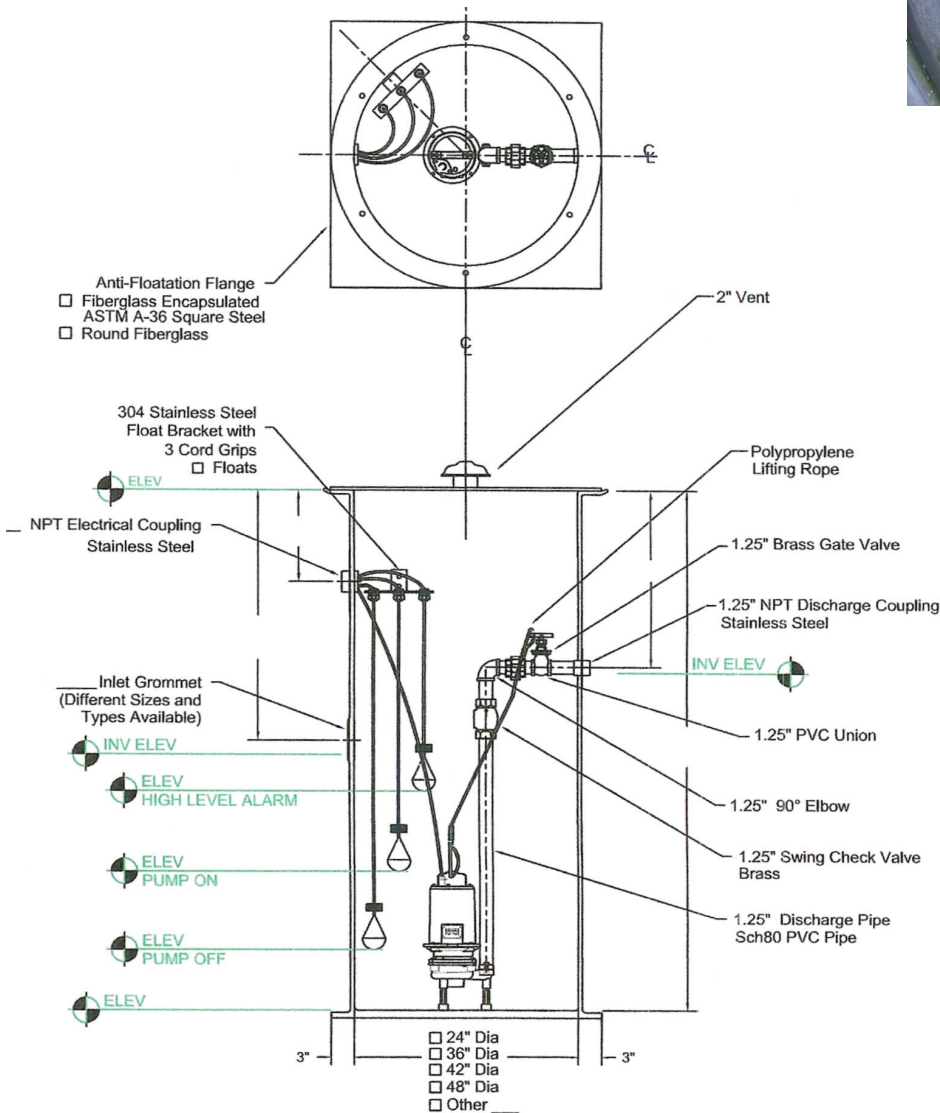
www.MagnoliaPump.com

...PROVIDING YOU WITH FLUID SOLUTIONS...

Completely fabricated at our Pelahatchie, MS warehouse, our residential low pressure sewer pump stations can be built exactly as you want them. With sizes from 24x48 and up our systems can be built with or with out rail systems and grinder or non-clog pumps. Just let us know how much and how far you need to pump and let us do the rest. Need help designing the system? We can assist you with that as well. Low pressure sewer provides a great alternative to gravity sewer in unlevel developments.



We keep 24x48, 24x60, and 24x72 in stock and ready for immediate delivery. Larger designs allow 2 weeks for delivery.



Typical Application:

- 2HP 230V Single Phase pump
- 1.25" discharge hub
- Stainless Float Bracket
- Brass Gate and Check Valves
- PVC or Stainless Piping
- 2" Bug Free Vent