



**PREDATOR**  
BATTERIES LTD



# PR12-1750DT-DPX

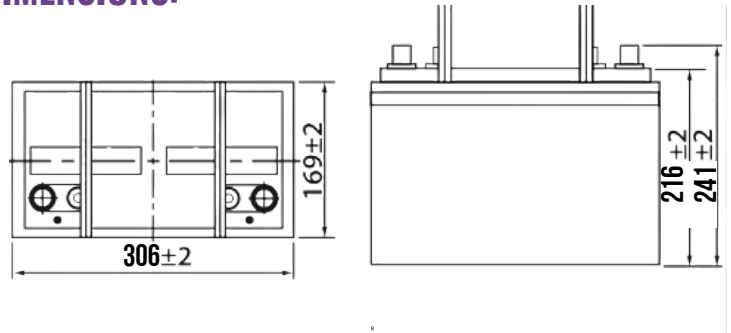
**12.6V**  
**110 AH @C20**  
**120 AH @C100**

**DUAL PURPOSE XTREME BATTERY**

## BATTERY FEATURES

- High Cranking Power
- MCA 875 Amps
- Extra Deep Cycle Ability (1000 cycles)
- Carbon Reduces Sulphation (PSOC)
- Totally Maintenance Free
- Dual Terminal - Post and Stud
- High Temperature Operation
- Up to 12 months Shelf Life
- Design Life 8 years

## DIMENSIONS:



## PERFORMANCE SPECIFICATIONS

<b>Nominal Voltage</b>	12.6 V
<b>Rated Capacity</b>	110 AH @ C20 / 120 AH @ C100
<b>Cycle Life</b>	>1000 Cycles
<b>Approximate Weight</b>	30 kg
<b>Internal Resistance</b>	≤ 5.5 mΩ
<b>Max Charge Current</b>	30 A
<b>Charging Voltage</b>	14.4-14.8 v cycle use
<b>Series &amp; Parallel Connection</b>	unlimited in series and parallel
<b>Operating Temperature Range</b>	
Charge	0°C to 50°C
Discharge	-20°C to 50°C
Storage	-20°C to 50°C
<b>Self-Discharge Rate</b>	≤3%/month@ 20°C
<b>Terminal Type</b>	Twin Terminal

