

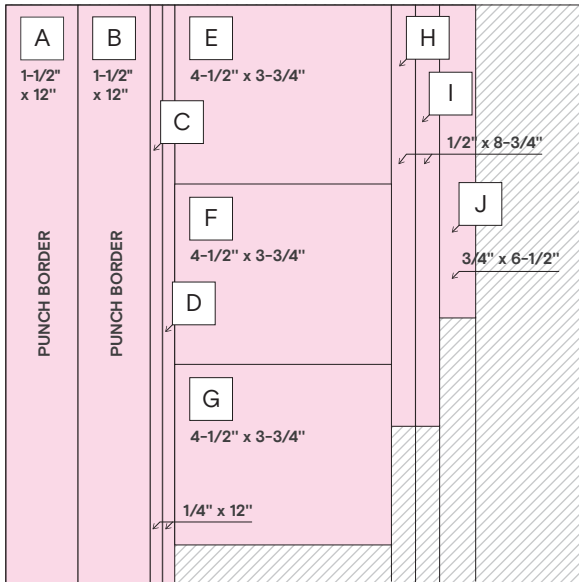
Note: Sketch shown above is meant to correspond with the Cutting Guide. It does NOT represent specific designer papers.

INSTRUCTIONS

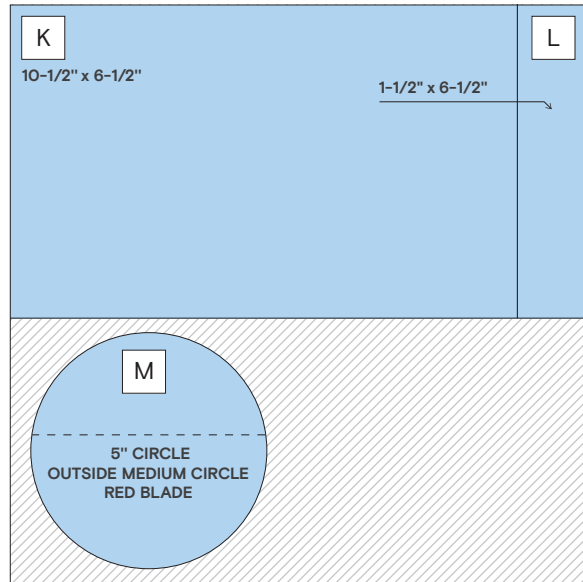
1. Use two sheets of matching designer paper for your base.
2. Use the Petal Scallop Border Punch to punch border pieces A and B from Avocado Cardstock.
3. Use the 12-inch Trimmer to follow the Cutting Guide with designer paper and remaining cardstock.
4. For piece M, use the outside of the medium CCS Circle Pattern with the Red Blade to cut one circle from the leftover designer paper #1. Cut the circle approximately one-third of the way through.
5. Use the Tape Runner to adhere pieces N-Q along the top and bottom of both pages, followed by pieces C and D below pieces N and P as shown.
6. Use the Repositionable Tape Runner to adhere punched pieces A and B overlapping pieces O and Q.
7. Use the Tape Runner to adhere circle pieces M as shown.
8. Adhere pieces K and L along the inside edges and 3" from the top of each page as shown, followed by piece J next to piece K.
9. Adhere piece S over piece K and piece R over piece L as shown. Adhere pieces H and I above and below piece R.
10. Arrange and adhere pieces E-G as shown.
11. Adhere photos and journal as desired.
12. Optional: Apply stickers using Foam Squares to add dimension.

CUTTING GUIDE: Make the following cuts on cardstock and designer paper, paying attention to the way the papers are rotated before cutting.

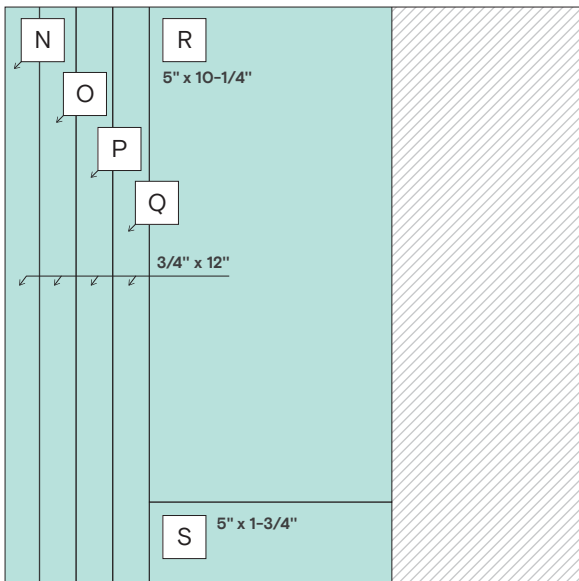
1 Avocado Cardstock



2 Designer Paper #1



3 Designer Paper #2



INGREDIENTS

- #665405 Perfect Match Designer Paper
- #661853 Avocado Cardstock (x1)
- #665207 Petal Scallop Border Punch
- #664793 12-inch Trimmer
- #664792 Photo Trimmer
- #648420 Tape Runner
- #656528 Repositionable Tape Runner
- #664821 13x13 Cutting Mat
- #624387 Circle CCS Patterns
- #634368 Red CCS Blade

OPTIONAL ADD-ONS

- #665409 Perfect Match Stickers
- #660820 Foam Squares Variety Pack - 2mm
- #663926 Foam Squares Variety Pack - 1mm
- #655669 Black Dual-Tip Pen

Original Project Recipe: Seasonal Sightings
 by Melissa Ullmann.

PHOTO SIZES

- (2) 5-3/4" x 3-3/4"
- (1) 3-3/4" x 5-3/4"
- (3) 3-1/2" x 4-1/4"