

SURE STRIPE 4000

This Professional Piston Pump Airless Striper Sets New Standards for Value!

The 4000 is the compact piston pump striper that delivers the professional results and range of features needed by pavement striping contractors—and it's an incredible value!

It's based on our proven LP Piston Pump used daily by thousands of painting contractors. The large one-piece piston along with Airlessco's patented triple-life packing system results in reduced maintenance, lower operating costs, and longer equipment life. The clutch actuated paint system features an electronic pressure control system.

The 4000 is powered by a dependable Honda GX series commercial OHV 4-cycle engine. It's built on a small, compact frame, that's easy to use, and quick to clean. Designed in balance & light weight make it ideal for one-man operation. Foot operated parking brake holds machine on inclines.

Our Contractor Series spray gun mounts on any corner, has a quick release for painting parking curbs or pavement using stencils. It features a tungsten carbide ball and seat, the "No Drips" REV-GUARD™ base, and our patented REV-TIP™ reversible tips that clear clogs literally in a snap.

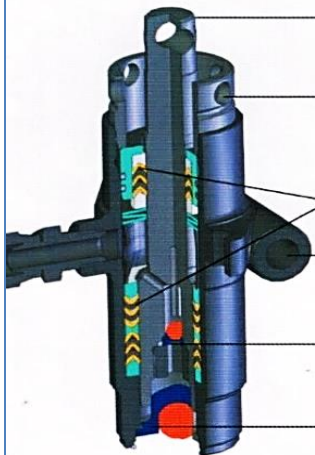
SURE STRIPE 4000 Specifications:

Power	Honda 4 HP with oil alert
Max Pressure	0-3000 PSI
Max Output	.9 Gallons per minute 3.4 Liters per minute
Max Tip Size	.029 inches

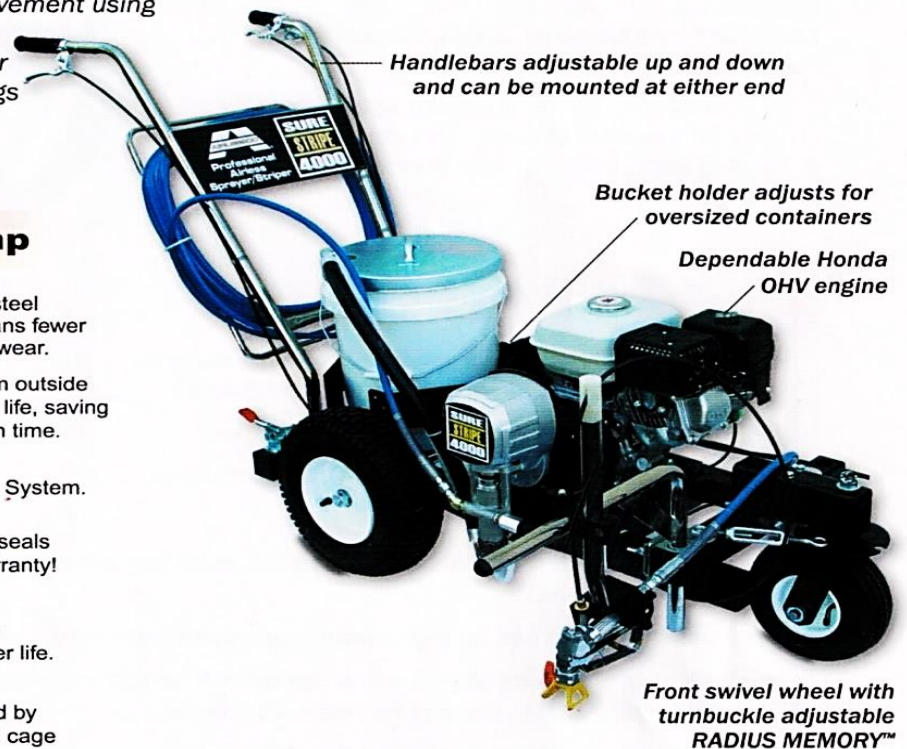
Shipped Complete:

Part #	SURE STRIPE 4000 with Contractor Series Spray Gun and 50' of high-pressure hose.
305-227	

LP Piston Power Airless Pump



- Super hardened, stainless steel piston. Large diameter means fewer cycles per gallon, reducing wear.
- Packing tension adjusts from outside the pump. Extends packing life, saving repair costs & reduces down time.
- Patented Triple-Life Packing System.
- 1-piece pump body with no seals to leak or wear-Lifetime Warranty!
- Tungsten carbide seats give increased gallonage & longer life.
- Ball and seat life is extended by self-centering, high-flow ball cage for positive valve operation.



Handlebars adjustable up and down and can be mounted at either end

Bucket holder adjusts for oversized containers

Dependable Honda OHV engine

Front swivel wheel with turnbuckle adjustable RADIUS MEMORY™

Distributor
Brewer Cote of Arizona
The Pavement maintenance Specialists
5226 W Missouri Avenue, Glendale, AZ 85301
623-931-3728 888-931-3728 Fax 623-842-0714
www.brewercoteaz.com Sales@brewercoteaz.com



001-668 July 04

SURE STRIPE 4500

Big Pump Striping Power Available in a Compact Frame

The compact convenience and flexibility built into the 4000 with the added advantage of Airlessco's SL Slow-Stroker™ paint pump. The SL pump has a large one-piece stainless steel piston, stainless pump body and check balls. Extra large tungsten carbide reversible seats, along with our patented triple-life packing system results in reduced maintenance, lower operating costs, and longer equipment life.

The pump has the power to spray a wide variety of pavement and athletic field striping paints; with an available second gun that lets you stripe lines up to 24" (60cm) wide.

The front wheel on the 4500 can remain locked for straight lines, or be operator released from the handlebars, allowing the front wheel to swivel when painting curves or circles. Inexpensive adjustable turnbuckles provide RADIUS MEMORY™ for consistent striping of arcs and circles.

Powder coated frame, anodized and chrome plated hardware are evidence this equipment is "Built to Last" through many years of daily professional use.

Advantages & Features:

- Same sturdy powder coated chassis, convenience, and flexibility found in the SURE STRIPE 4000.
- Highest performance for a compact striper.
- Heavy duty, no maintenance gearbox and clutch.
- Solid state electronic pressure sensor.
- High flow, high-pressure filter, filters the paint without restricting paint flow to the guns.
- Suction system has an easy clean solvent resistant core.
- Swivel spray heads can be set at the perfect angle for spraying curbs or for overlapping spray patterns for extra wide lines.
- Professional Airless Gun with 50' x 3/8" high pressure airless hose standard

SURE STRIPE 4500 Specifications:

Power	Honda 5.5 HP with Oil Alert
Max Pressure	0-3000 PSI (207 Bar).
Max Output	1.3 GPM (5 Litres/min.)
Max Tip	1 gun @ 0.035 inch 1 x 12" (30cm) line. 2 gun @ 0.021 inch 2 x 12" (30cm) lines.

Shipped Complete:

Part #	305-206	Sure Stripe 4500 with 1 gun
	305-176-99	Optional Second Gun Kit



AIRLESSCO
www.airlessco.com