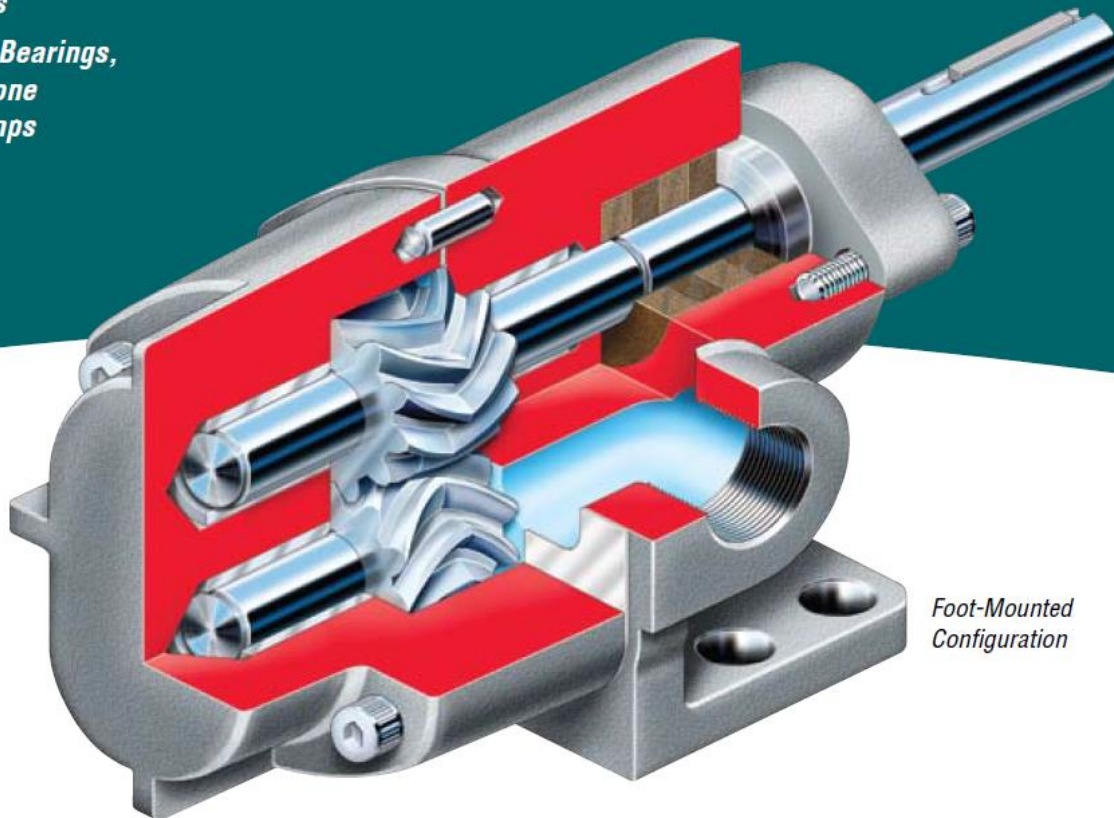


GA Series
Between Bearings,
Herringbone
Gear Pumps



*Foot-Mounted
 Configuration*

GA Series gear pumps have long been workhorses in highly viscous applications within a multitude of industries due to their dependability, efficiency and low total life cycle costs. Engineered to reliably pump viscous fluids over a broad range of flows and pressures, the GA Series' superior between bearings, external gear design offers the benefits of pulse-free operation, dry-run capability and ease of maintenance.

Operating Parameters

- Flows to 27 m³/h (120 gpm)
- Speeds to 1800 rpm
- Viscosities to 50 000 ssu
- Temperatures to 175°C (350°F)
- Pressures to 17 bar (250 psi)
 - Flange Mounted: to 17 bar (250 psi)
 - Close Coupled: to 10 bar (150 psi)
 - Foot Mounted: to 17 bar (250 psi)

Features and Benefits

***Two-Piece Doweled Construction** ensures accurate alignment and facilitates maintenance by allowing faster access to pump internals without disturbing piping.*

***Stuffing Box** on long-coupled configuration allows for ample packing or mechanical seals for greater flexibility. To increase uptime and reduce maintenance costs, the stuffing box is exposed to suction pressure only.*

***Full Hydraulic Balance** eliminates need for specialized balancing devices or thrust bearings.*

***Suction and Discharge** passages designed for free, even flow and greater suction lift capability.*

***Horizontal and Vertical Suction and Discharge Openings** on sizes 1-4 of the flange-mounted and close-coupled designs permit greater piping flexibility.*

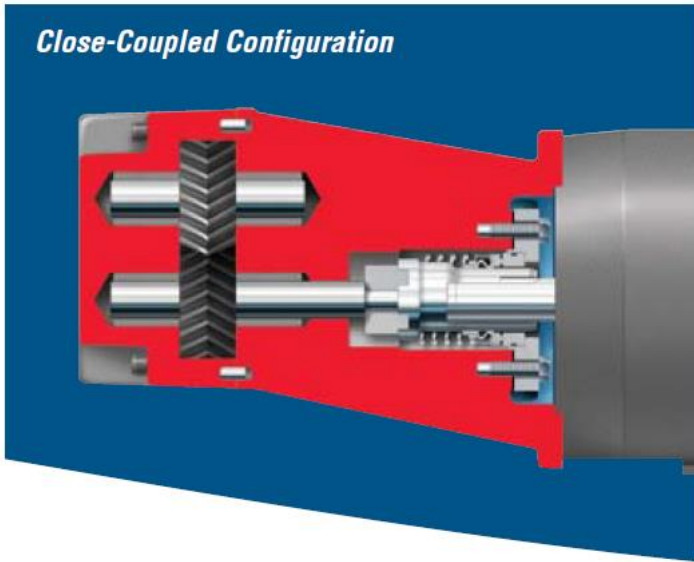
***Standard Carbon Sleeve Bearings** are self-lubricating for handling low-viscosity fluids. Bronze bearings are available for dirty fluid applications.*

***Precision Machined Teeth** engage gradually, preventing trapping of liquid and eliminating shock loading.*

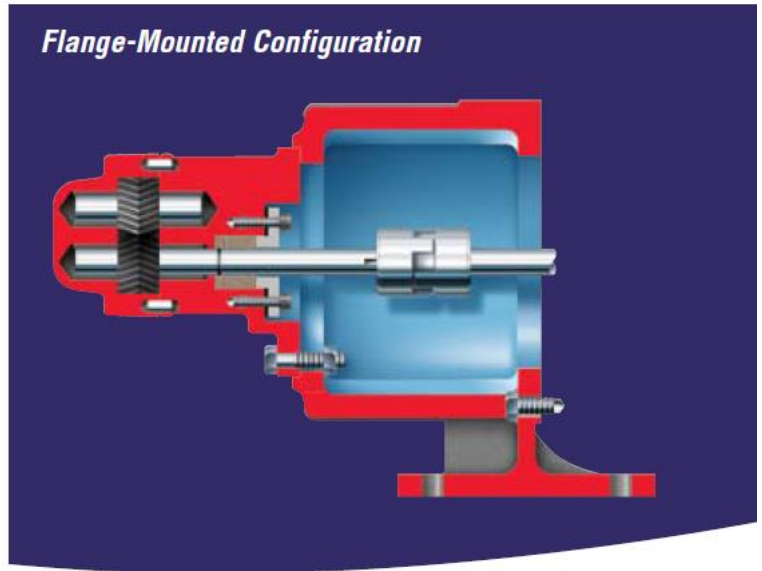
Distributor

Brewer Cote of Arizona “The Pavement Maintenance Specialists”
 5226 West Missouri Avenue, Glendale Arizona 85301

Close-Coupled Configuration



Flange-Mounted Configuration



Multiple Mounting Configurations

The cast iron GA Series pumps are available in three mounting configurations – foot-mounted, flanged and close-coupled. With its multiple options and modular design, GA Series pumps can be customized to satisfy a wide range of applications.

- **GAS:** Foot-mounted
- **GAF:** Flange-mounted
- **GAC:** Close-coupled

Available Options

- Integral safety relief valve provides short-term emergency bypass
- Mechanical seal ensures positive sealing
- Mechanical seal with inboard shaft bearing for belt, chain or overhung gear drives
- Bronze sleeve bushings for dirty fluid applications

Engineered for Low Cost of Ownership

Low Installation Costs

- Variety of mounting arrangements
- Horizontal and vertical suction discharge openings
- Stuffing box accommodates packing or mechanical seals

Low Maintenance Costs

- Minimal shaft deflection
- Reduced bearing loads and shaft deflection
- Accurate alignment with two-piece doweled construction
- Reduced wear rates

Low Operating Costs

- Prolonged service life
- Efficient operation over a broad range of speeds, pressures and viscosities
- No speed reducers
- Only one coupling guard

GA Series Quick Selection Chart

This chart may be used to identify the particular GA Series pump model and the corresponding performance curve at the desired flow rate. It is meant to direct the user to the appropriate performance curve, not to be a substitute for it.

The ranges shown are based on typical viscosities and speeds and assume zero differential pressure.

