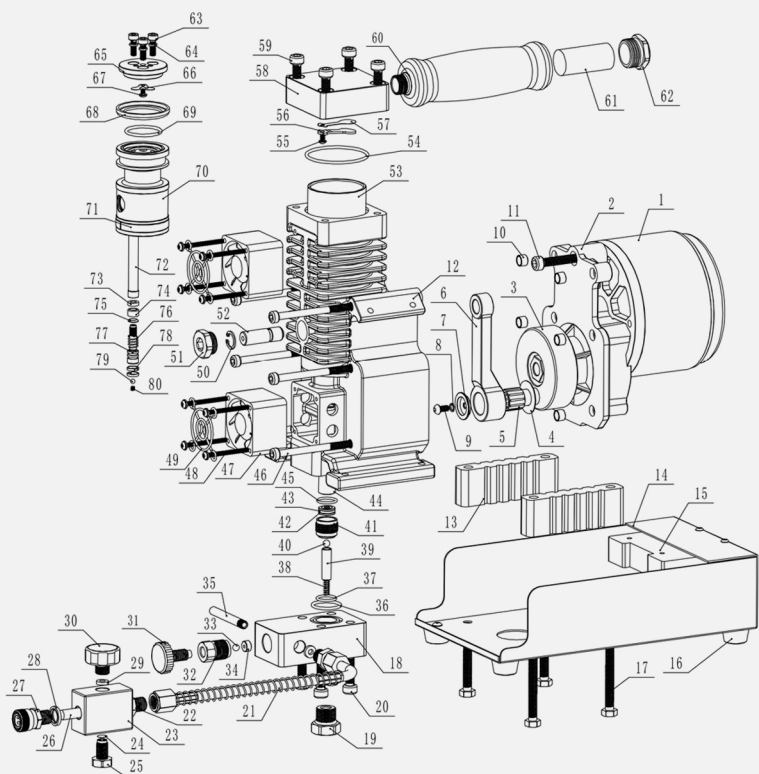


Diagram and spare parts list



S/N	Name	S/N	Name	S/N	Name
1	Motor	28	Composite washers	55	M3*6 round head hexagon screw
2	Motor cover	29	Gaskets	56	Check valve flap
3	crankshaft	30	Pressure gauges	57	Valve plate
4	Copper pads	31	Vent valve	58	First-stage cylinder head
5	Centripetal bearings	32	Deflated nut	59	M6*25 hex screw
6	Connecting rod	33	5mm steel ball	60	handle
7	Connecting rod retaining rings	34	Vent valve gas pads	61	Filter cotton
8	M4 bomb pad	35	exhaust pipe	62	Intake filter
9	M4*8 round head inner hex screw	36	O-ring 22*2	63	M4*12 hex screw
10	Positioning sleeve	37	O-ring 15*1.5	64	4mm composite washer
11	M6*30 hex screw	38	spring	65	Piston platen
12	Chassis	39	Spring seat	66	V-shaped valve plate
13	Shock absorber pads	40	Check valve	67	M3*4 round head inner hex screw
14	Bottom case	41	One-way seat	68	Primary piston ring
15	switch	42	One-way valve pad	69	O-ring 27*2
16	Bottom foot	43	O-ring 12*1.5	70	Primary piston
17	M6*40 hex screw	44	High pressure tubes	71	Guide ring
18	High pressure cylinder head	45	O-ring 15*1.5	72	High pressure rod
19	Check valve nut	46	M5*70 hex screw	73	High pressure piston pads
20	M6*30 hex screw	47	Cooling fan	74	High pressure piston rings
21	High pressure hose	48	M3*35 screws	75	High pressure piston copper pads
22	Connect the connector	49	Fan retainer net	76	High pressure piston springs
23	Adapter seat	50	Circlips	77	High pressure piston
24	Explosion-proof film	51	Plugs	78	High pressure piston opening ring
25	Explosion-proof nuts	52	Connecting rod pins	79	High pressure spool
26	Filter cotton	53	First-stage cylinder liner	80	Tapered springs
27	Quick couplings	54	O-ring 46*2		