

PROJECT MANUAL

Logan Regional Hospital Reconfiguration ASC

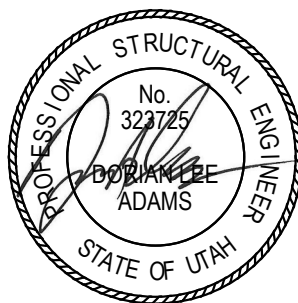
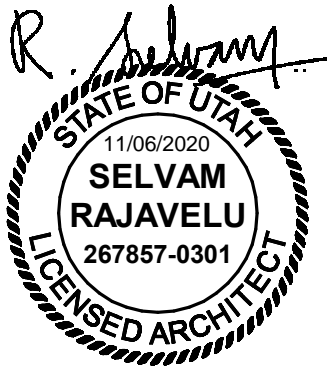
1350 N 500 E
Logan, UT 84341

Owner
Intermountain Healthcare

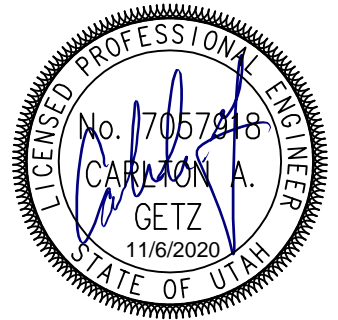
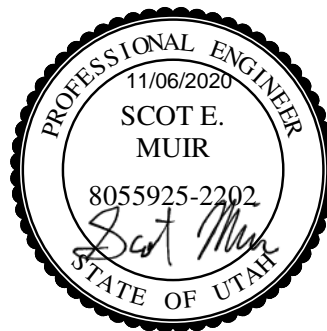
100% Construction Documents

Volume 2 of 2

Date: November 6, 2020



11/06/2020



Volume 1 of 2**PROJECT MANUAL INDEX**

Title Page
Project Manual Index
Drawing Index

Bidding and Contract Requirements

Intermountain Healthcare General Conditions 2019
Application and Certificate for Payment (AIA Document G-702-1992)
Continuation of Sheet - AIA Document G703-1992
Certificate of Substantial Completion (AIA Document G704-2017)
Contractor's Affidavit of Release of Liens (AIA Document G706A-1994)

Technical Specifications**Architectural****DIVISION 1 - GENERAL REQUIREMENTS**

01 10 00	Summary
01 29 00	Payment Procedures
01 31 00	Project Management and Coordination
01 31 10	Field Engineering
01 33 00	Submittal Procedures
01 40 00	Quality Requirements
01 43 73	Schedule of Values
01 50 00	Temporary Facilities and Controls
01 60 00	Product Requirements
01 76 00	Guaranties and Warranties
01 78 23	Operation and Maintenance Data
01 78 39	Project Record Documents
01 79 00	Cleaning

DIVISION 2 – EXISTING CONDITIONS

02 41 19	Selective Demolition
----------	----------------------

DIVISION 3 - CONCRETE

03 20 00	Concrete Reinforcing
03 10 00	Concrete Forming and Accessories
03 30 00	Cast-In-Place Concrete
03 53 00	Concrete Topping

DIVISION 5 - METALS

05 05 00	Metal Fasteners
----------	-----------------

05 12 00 Structural Steel Framing
05 50 10 Miscellaneous Metal Fabrications

DIVISION 6 - WOOD AND PLASTICS

06 10 00 Rough Carpentry
06 41 23 Interior Architectural Woodwork

DIVISION 7 – THERMAL AND MOISTURE PROTECTION

07 21 00 Thermal Insulation
07 72 00 Roof Accessories
07 84 13 Firestopping
07 81 00 Applied Fireproofing
07 84 13.1 Penetration Firestopping – UL Listings
07 92 00 Joint Sealants

DIVISION 8 – DOORS AND WINDOWS

08 11 13 Hollow Metal Doors and Frames
08 14 16 Flush Wood Doors
08 31 13 Access Panels
08 33 00 Rolling Grilles
08 41 00 Aluminum Entrances and Storefronts
08 71 00 Door Hardware
08 80 00 Glazing
08 88 59 Insulating Glass Units with Integrated Blinds

DIVISION 9 - FINISHES

09 22 16 Non-Structural Metal Framing
09 22 16.1 Rated Wall Types – UL Listings
09 22 20 Acoustical Insulation
09 29 00 Gypsum Board
09 30 00 Tiling
09 50 00 Wood Panel Ceilings
09 51 00 Ceiling Suspension
09 51 13 Acoustical Panel Ceilings
09 65 19 Resilient Flooring
09 68 13 Carpet Tile
09 78 13 Interior Modular Metal Wall Panel System
09 91 23 Interior Painting

DIVISION 10 – SPECIALTIES

10 11 00 Visual Display Surfaces
10 26 00 Wall and Door Protection
10 28 00 Toilet and Bath Accessories
10 44 13 Fire Protection Cabinets and Fire Extinguishers
10 51 13 Metal Lockers

10 51 23 Plastic Laminate Clad Lockers

DIVISION 12 – FURNISHINGS

12 22 00 Curtains and Tracks
12 24 14 Roller Shades

Volume 2 of 2

PROJECT MANUAL INDEX

Title Page
Project Manual Index
Drawing Index

Mechanical

DIVISION 21 – FIRE SUPPRESSION

211000 Water Based Fire Suppression Systems

DIVISION 22 - PLUMBING

220500 Common Work Results for Plumbing
220513 Common Motor Requirements for Plumbing Equipment
220516 Expansion Fittings and Loops for Plumbing Piping
220517 Sleeves and Sleeve Seals for Plumbing Piping
220519 METERS AND GAGES FOR PLUMBING PIPING
220523 GENERAL-DUTY VALVES FOR PLUMBING PIPING
220529 HANGERS AND SUPPORTS FOR PLUMBING PIPING AND EQUIPMENT
220548 VIBRATION AND SEISMIC CONTROLS FOR PLUMBING PIPING AND EQUIPMENT
220553 Identification for Plumbing Pipes and Equipment
220700 Plumbing Insulation
221116 Domestic Water Piping
221119 Domestic Water Piping Specialties
221316 Sanitary Waste and Vent Piping
221319 Sanitary Waste Piping Specialties
224000 Plumbing Fixtures
224500 Emergency Plumbing Fixtures
226314 Medical Gas Piping
226700 Deionized Pure Water System
226710 Pure Water Piping

DIVISION 23 - HEATING, VENTILATING, AND AIR CONDITIONING

230100 MECHANICAL REQUIREMENTS
230150 Temporary Use of Equipment and Systems
230500 Common Work Results for HVAC
230513 COMMON MOTOR REQUIREMENTS FOR HVAC EQUIPMENT
230517 Sleeves and Sleeve Seals for HVAC Piping
230519 Meters and Gages for HVAC

230523	General-Duty Valves for HVAC Piping
230529	Hangers and Supports for HVAC Piping and Equipment
230548	Vibration and Seismic Controls for HVAC
230550	OPERATIONS AND MAINTENANCE OF HVAC SYSTEMS
230553	IDENTIFICATION FOR HVAC PIPING AND EQUIPMENT
230593	Testing Adjusting and Balancing for HVAC
230713	Duct Insulation
230716	HVAC Equipment Insulation
230719	HVAC Piping Insulation
230900	Building Automation System
230993	Sequences of Operation
232113	Hydronic Piping
232116	Hydronic Piping Specialties
232123	Hydronic Pumps
232213	Steam and Condensate Heating Piping
232216	Steam and Condensate Heating Piping Specialties
232513	Water Treatment for Closed-Loop Hydronic Systems
233001	COMMON DUCT REQUIREMENTS
233113	Metal Ducts
233300	Air Duct Accessories
233423	HVAC Power Ventilators
233600	Air Terminal Units
233700	Heat Exchangers
233713	DIFFUSERS, REGISTERS, AND GRILLES
237326	Custom Hospital Air Handling Units
238240	Propeller Unit Heaters

Electrical

Division 26 – Electrical

260519	Low-Voltage Electrical Power Conductors and Cables
260526	Grounding and Bonding for Electrical Systems
260529	Hangers and Supports for Electrical Systems
260533	Raceways and Boxes for Electrical Systems
260544	Sleeves and Sleeve Seals for Electrical Raceways and Cabling
260548	Vibration and Seismic Controls for Electrical Systems
260553	Identification for Electrical Systems
260800	Electrical Commissioning Requirements
260923	Lighting Control Devices
262416	Panelboards
262726	Wiring Devices
262816	Enclosed Safety Switches
262913	Enclosed Controllers
262923	Variable-Frequency Motor Controllers
265119	Led Interior Lighting

Division 27 – Communications

270000	Common General Conditions for Communications Sections Ver 06-2020
270100	Operation+Maintenance of Communication Systems Ver 06-2020_
270113	Warranty Product and System Ver 06-2020
270119	Field Testing and Reporting Ver 06-2020
270133	Shop Drawings Product Data Samples Design Records and Existing Conditions Ver 06-2020
270143	Qualifications and Required Training for Contractor and Installer Ver 06-2020
270171	Responsibility and Workmanship of Contractor Ver 06-2020
270500	Common Work Results for Communications Ver 06-2020
270526	Grounding and Bonding for Communications Systems Ver 06-2020
270528	Pathways for Communications Systems Ver 06-2020
270529	Hangers and Supports for Communications Systems Ver 06-2020
270533	Conduits and Back Boxes for Communications Systems Ver 06-2020
270536	Cable Trays for Communications Systems Ver 06-2020
270543/46	Campus Cable Routing Ver 06-2020
270553	Identification for Low-Voltage Cables And Labeling Ver 06-2020
271100	Equipment Room Fitting Ver 06-2020
271116	Cabinets, Racks, Frames, And Enclosures Ver 06-2020
271119	Termination Blocks And Patch Panels Ver 06-2020
271300	Backbone Cabling Ver 06-2020
271500	Horizontal Cabling Ver 06-2020
271513	Copper Cable Ver 06-2020
271543	Faceplates And Connectors Ver 06-2020
271619	Patch Cables Ver 06-2020
275113	Ohpage Ver 06-2020
275319	Das - Internal Cellular Paging And Antenna Systems Ver 06-2020
276001	Appendix 01 Deviation Request Process Ver 06-2020
276002	Appendix 02 Document Refresh Process Ver 06-2020
276003	Appendix 03 Data Center, Tec, Tdr Part Numbers Ver 06-2020
276004	Appendix 04 Reference Standards Ver 06-2020
276005	Appendix 05 Definitions And Abbreviations Ver 06-2020
276006	Appendix 06 Material Suppliers Ver 06-2020
276007	Appendix 07 Siemon - Certified Installation Firms Ver 06-2020
276008	Appendix 08 Lead Wall Penetrations Ver 06-2020

Division 28 – Access Control

281300	Access Control
282300	Video Surveillance
283111	Digital, Addressable Fire-Alarm System

DRAWING INDEX**GENERAL**

G001	Cover Sheet
G002	General Information
G003	General Information
G004	American National Standard Institute Requirements
G005	General Legend & Notes
G111	Code Compliance Plan Level 4 - Overall

STRUCTURAL

SE001	General Structural Notes
SE002	Legends & Abbreviations
SF104H	Budge Clinic Level Four Floor Framing Plan
SF105H	Budge Clinic Roof Framing Plan
SF543	Equipment Support Details
SF601	Schedule Sheet
SF602	Concrete Schedule and Details

ARCHITECTURAL

A140A	Floor Plan Level 4 - Overall
A141A	Demolition Floor Plan Level 4
A142A	Demolition Reflected Ceiling Plan Level 4
A143A	Floor Plan Level 4
A144A	Dimension Floor Plan Level 4
A145A	Reflected Ceiling Plan Level 4
A146A	Roof Plan - Overall
A147A	Finish Plan Level 4
A148A	Equipment Plan Level 4
A149A	Floor Pattern Plan Level 4
A251	Interior Elevations
A252	Interior Elevations
A253	Interior Elevations
A254	Interior Elevations
A255	Interior Elevations
A256	Interior Elevations
A501A	Wall Types
A502A	Wall Details
A502B	Wall Details
A503A	Ceiling Details
A504A	Door & Window Details
A505A	Cabinet Legend & Details
A505B	Cabinet Details
A505C	Cabinet Details
A506A	Details
A601A	Door & Window Schedule
A603A	Finish Schedule & Details

MECHANICAL

M001	Mechanical Symbols, Abbreviations, & General Notes
M141A	Mechanical Demolition Plan - Level 4
M143A	Mechanical New Plan - Level 4
M143A-2	Bid Alternate #1 Mechanical Plans
M143A-3	Bid Alternate #2 Mechanical Plans
M146A	Roof Plan
M201A	Mechanical Piping Demolition Plan – Lower Level
M203A	Mechanical Piping New Plan - Lower Level
M241A	Mechanical Piping Demolition Plan - Level 4
M243A	Mechanical Piping New Plan - Level 4
M501	Mechanical Details
M502	Mechanical Details
M503	Mechanical Details
M504	Mechanical Details
M505	Mechanical Details
M506	Mechanical Details
M601	Mechanical Schedules
M602	Mechanical Schedules
M603	Mechanical Schedules
M701	Zoning and Pressurization Plan - Level 4
M702	Mechanical Schematics
M703	Mechanical Schematics
M704	Mechanical Schematics

PLUMBING

P103A	Basement & Mechanical Shaft Plans
P141A	Plumbing Demolition Plan - Level 4
P143A	Plumbing New Plan- Level 4
P243A	Medical Gas New Plan -Level 4
P501	Plumbing Details
P601	Plumbing Schedules
P602	Med Gas Schedules

ELECTRICAL

EEA001	Sheet Index, Abbreviations, And General Notes
EEA100	Level 4 Overall Plan
EEA501	Electrical Details
EEA701	Typical Mounting Height Details
EEA702	Typical Labeling Details
EDA101	Level 4 Electrical Demolition Plan
EP100	Basement Power Plan
EPA101	Level 4 Power Plan
EPA102	Roof Electrical Plan
EPA601	One-Line Diagram
EPA602	One-Line Diagram
EPA603	Equipment Schedule

EPA604	Panel Schedules
EPA605	Panel Schedules
EPA606	Panel Schedules
ELA101	Level 4 Lighting Plan
ELA601	Interior Lighting Fixture Schedule
ELA602	Lighting Relay Diagrams & Schedules
ETA001	Telecom Schedule and Notes
ETA101	Level 4 Telecommunications Floor Plan
ETA501	Telecom Equipment Rack Elevations
ETA502	Telecom Details
ETA503	Telecom Details
ETA504	Telecom Equipment Rack Grounding Details
ETA601	Voice/Data Conduit Riser Diagram
EYA101	Level 4 Auxiliary Plan
EYA601	Auxiliary Schedules
FAA101	Level 4 Fire Alarm Plan
FAA601	Fire Alarm Riser

SECTION 21 10 00 - WATER-BASED FIRE-SUPPRESSION SYSTEMS

PART 1 - GENERAL

1.1 RELATED DOCUMENTS

A. Drawings and general provisions of the Contract, including General and Supplementary Conditions and Division 01 Specification Sections, apply to this Section.

1.2 SUMMARY

A. This Section includes the following fire-suppression piping inside the building:

1. Semiautomatic wet-type, Class I standpipe systems.
2. Wet-pipe sprinkler systems.
3. Description: Renovation of an area on the 4th floor, area to be supplied by existing wet system.

B. Related Sections include the following:

1. Division 10 Section "Fire Extinguisher Cabinets" and "Fire Extinguishers" for cabinets and fire extinguishers.
2. Division 22 Section "Facility Water Distribution Piping" for piping outside the building.
3. Division 28 Section "Fire Detection and Alarm" for alarm devices not specified in this Section.

C. All black steel sprinkler pipe shall have a wall thickness less than or equal to schedule 40 and greater than schedule 10.

1. Exception: Pipe with a nominal pipe size of 6 inches and greater may be schedule 10.

D. Summary Table:

Item	Summary
Underground service entrance piping	Existing to Remain
Interior pipe type	Mains: Schedule 40 Branchlines: Threadable thinwall or schedule 40
Sprinkler Finish	Match Existing
Extended Coverage	Not Allowed
Center of Tile	Required, Center thirds are acceptable for rectangular tiles
Flexible Sprinkler Drops	Designers preference
FM Global	No

Calculations	Required if Basis of Design is changed i.e. flexible sprinkler drops used.
Alarm Device	Horn/Strobe
FDC	Existing to Remain
Special Items	
Seismic	

1.3 DEFINITIONS

- A. CPVC: Chlorinated polyvinyl chloride plastic.
- B. CR: Chlorosulfonated polyethylene synthetic rubber.
- C. High-Pressure Piping System: Fire-suppression piping system designed to operate at working pressure higher than standard 175 psig.
- D. PE: Polyethylene plastic.
- E. Underground Service-Entrance Piping: Underground service piping below the building.

1.4 SYSTEM DESCRIPTIONS

- A. Manual Wet-Type, Class I Standpipe System: Includes NPS 2-1/2 hose connections. Has small water supply to maintain water in standpipes. Piping is wet, but water must be pumped into standpipes to satisfy demand.
- B. Wet-Pipe Sprinkler System: Automatic sprinklers are attached to piping containing water and that is connected to water supply. Water discharges immediately from sprinklers when they are opened. Sprinklers open when heat melts fusible link or destroys frangible device. Hose connections are included if indicated.

1.5 PERFORMANCE REQUIREMENTS

- A. Standard Piping System Component Working Pressure: Listed for at least 175 psig.
- B. High-Pressure Piping System Component Working Pressure: Listed for 250 psig minimum 300 psig.
- C. Fire-suppression standpipe system design shall be approved by authorities having jurisdiction.

1. Minimum residual pressure at each hose-connection outlet is the following:

- a. NPS 1-1/2 Hose Connections: 65 psig.
- b. NPS 2-1/2 Hose Connections: 100 psig.

2. Unless otherwise indicated, the following is maximum residual pressure at required flow at each hose-connection outlet:
 - a. NPS 1-1/2 Hose Connections: 100 psig.
 - b. NPS 2-1/2 Hose Connections: 175 psig.
- D. Design sprinkler piping according to the following and obtain approval from engineer, prior to submitting to other authorities having jurisdiction:
 1. Design sprinkler system with the following 10% reduced flow data:

Flow data available at 500 E 1400 N Logan, UT 84341

Static – 128 psi

Residual – 90 psi @ 2,599 gpm flowing

Date of Test – 08/14/2019 by VBFA, Inc.
 2. Margin of Safety for Available Water Flow and Pressure: 10 percent, including losses through water-service piping, valves, and backflow preventers.
 3. Sprinkler Occupancy Hazard Classifications:
 - a. Building Service Areas: Ordinary Hazard, Group 1.
 - b. Electrical Equipment Rooms: Ordinary Hazard, Group 1.
 - c. General Storage Areas: Ordinary Hazard, Group 1.
 - d. Laundries: Ordinary Hazard, Group 1.
 - e. Mechanical Equipment Rooms: Ordinary Hazard, Group 1.
 - f. Office and Public Areas: Light Hazard.
 4. Minimum Density for Automatic-Sprinkler Piping Design:
 - a. Light-Hazard Occupancy: 0.10 gpm over 1500-sq. ft. area.
 - b. Ordinary-Hazard, Group 1 Occupancy: 0.15 gpm over 1500-sq. ft. area.
 - c. Ordinary-Hazard, Group 2 Occupancy: 0.20 gpm over 1500-sq. ft. area.
 5. Minimum Density for Deluge-Sprinkler Piping Design:
 - a. Ordinary-Hazard, Group 1 Occupancy: 0.15 gpm over entire area.
 - b. Ordinary-Hazard, Group 2 Occupancy: 0.20 gpm over entire area.
 6. Maximum Protection Area per Sprinkler: Per UL listing.
 7. Maximum Protection Area per Sprinkler:
 - a. Office Spaces: 225 sq. ft..
 - b. Storage Areas: 130 sq. ft..
 - c. Mechanical Equipment Rooms: 130 sq. ft..
 - d. Electrical Equipment Rooms: 130 sq. ft..
 - e. Other Areas: According to NFPA 13 recommendations, unless otherwise indicated.

8. Total Combined Hose-Stream Demand Requirement: According to NFPA 13, unless otherwise indicated:
 - a. Light-Hazard Occupancies: 100 gpm for 30 minutes.
 - b. Ordinary-Hazard Occupancies: 250 gpm for 60 to 90 minutes.
 - c. Extra-Hazard Occupancies: 500 gpm for 90 to 120 minutes.
9. Sprinklers are to be installed throughout the premises, as required by NFPA 13.
- E. Seismic Performance: Fire-suppression piping shall be capable of withstanding the effects of earthquake motions determined according to NFPA 13.

1.6 SUBMITTALS

- A. Product Data: For the following:
 1. Piping materials, including dielectric fittings, flexible connections, and sprinkler specialty fittings.
 2. Pipe hangers and supports, including seismic restraints.
 3. Valves, including listed fire-protection valves, unlisted general-duty valves, and specialty valves and trim.
 4. Sprinklers, escutcheons, and guards. Include sprinkler flow characteristics, mounting, finish, and other pertinent data.
- B. Shop Drawings: Diagram power, signal, and control wiring.
- C. Fire-hydrant flow test report.
- D. Seismic Calculations.
- E. Approved Sprinkler Piping Drawings: Working plans, prepared according to NFPA 13, that have been approved by authorities having jurisdiction, including hydraulic calculations, if applicable. Drawings are to be approved by Engineer prior to submission to State Fire Marshal.
- F. Field Test Reports and Certificates: Indicate and interpret test results for compliance with performance requirements and as described in NFPA 13 and NFPA 14. Include "Contractor's Material and Test Certificate for Aboveground Piping" and "Contractor's Material and Test Certificate for Underground Piping."
- G. Welding certificates.
- H. Field quality-control test reports.
- I. Operation and Maintenance Data: For standpipe and sprinkler specialties to include in emergency, operation, and maintenance manuals.

1.7 QUALITY ASSURANCE

- A. Installer Qualifications:

1. An experienced installer who has designed and installed fire-suppression piping similar to that indicated for this Project and obtained design approval and inspection approval from authorities having jurisdiction. The Engineer requires evidence to support the ability of the contractor to perform work in the scope and volume as specified. A contractor, who cannot show such experience, may be found not suitable to perform the work. The following are the approved contractors for this project:
 - a. PRE-APPROVED CONTRACTORS LIST
 - 1) Alta Fire
 - 2) Certified Fire
 - 3) Chaparral Fire (A-1 National)
 - 4) Delta Fire
 - 5) Kimco Fire
 - 6) Preferred Fire Protection
 - 7) Quality Fire Protection
 - 8) FireTrol
 - 9) FireFly Fire Protection
 - 10) Simplex-Grinnell
 - 11) State Fire DC Specialties
 - 12) The Safety Team
 - 13) Western Automatic
 - 14) Or prior approved equal
 - b. A contractor not listed in the "PRE-APPROVED CONTRACTORS LIST" must receive prior approval from the engineer to bid this project.
- B. Installer's responsibilities include designing, fabricating, and installing fire-suppression systems and providing professional engineering services needed to assume engineering responsibility. Base calculations on results of fire-hydrant flow test.
 1. Engineering Responsibility: Preparation of working plans, calculations, and field test reports by a qualified professional engineer or NICET Level III technician.
- C. Welding: Qualify processes and operators according to ASME Boiler and Pressure Vessel Code: Section IX.
- D. NFPA Standards: Fire-suppression-system equipment, specialties, accessories, installation, and testing shall comply with the following:
 1. NFPA 13, "Installation of Sprinkler Systems."
- E. International Conference of Building Code Officials codes and standards complying with the following:
 1. IBC-2018, "International Building Code."
 2. IFC-2018, "International Fire Code."
- F. Utah Amendments
 1. Title 15A

1.8 COORDINATION

- A. Coordinate layout and installation of sprinklers with other construction that penetrates ceilings, including light fixtures, HVAC equipment, and partition assemblies.

1.9 EXTRA MATERIALS

- A. Furnish extra materials described below that match products installed and that are packaged with protective covering for storage and identified with labels describing contents.
 - 1. Sprinkler Cabinets: Finished, wall-mounting, steel cabinet with hinged cover, with space for minimum of six spare sprinklers plus sprinkler wrench. Include number of sprinklers required by NFPA 13 and sprinkler wrench. Include separate cabinet with sprinklers and wrench for each type of sprinkler on Project.

1.10 General Engineering Quality

- A. Unless noted otherwise the following applies:
 - 1. The maximum water velocity shall not exceed 32-fps.
 - 2. Submit the calculations using the reduced flow data.
 - 3. When calculating flexible drops, the contractor shall use the maximum number of bends for the associated length. The value is to be taken from the UL tests (unless the material is only FM approved).
 - 4. In the event of multiple (3) submittal rejections (including revise and resubmit) a meeting shall be held at the engineer's office at the engineer time of choosing and the designer, fire sprinkler contractor, and general contractor shall be physically in attendance to discuss the required modifications to the design.

1.11 Contract Completion

- A. Incomplete and Unacceptable work:
 - 1. If additional site visits or design work is required by the Engineer or Architect because of the use of incomplete or unacceptable work by the Contractor, then the Contractor shall reimburse the Engineer and Architect for all additional time and expenses involved.

PART 2 - PRODUCTS

2.1 MANUFACTURERS

- A. In other Part 2 articles where titles below introduce lists, the following requirements apply to product selection:

1. Manufacturers: Subject to compliance with requirements, provide products by one of the manufacturers specified.

2.2 DUCTILE-IRON PIPE AND FITTINGS

- A. Mechanical-Joint, Ductile-Iron Pipe: AWWA C151, with mechanical-joint bell end and plain end.
 1. Mechanical-Joint, Ductile-Iron Fittings: AWWA C110, Class 53, ductile- or gray-iron standard pattern or AWWA C153, ductile-iron compact pattern.
 2. Glands, Gaskets, and Bolts: AWWA C111, ductile- or gray-iron gland, rubber gasket, and steel bolts and nuts.
- B. Push-on-Joint, Ductile-Iron Pipe: AWWA C151, with push-on-joint bell end and plain end.
 1. Push-on-Joint, Ductile-Iron Fittings: AWWA C110, ductile- or gray-iron standard pattern or AWWA C153, ductile-iron compact pattern.
 2. Gaskets: AWWA C111, rubber.

2.3 C-900 TUBE AND FITTINGS

- A. PVC, AWWA Pipe: AWWA C900, Class 150, with bell end with gasket and spigot end is not allowed.

2.4 STAINLESS STEEL IN BUILDING RISER

- A. Continuous from the factory, no field formed fittings in the stainless steel riser. Field modifications are not allowed. Restrain with thrust block, per NFPA 24, rods as required by manufacture.
 1. Inlet: AWWA C900/DIP
 2. Outlet: AWWA 606

2.5 STEEL PIPE AND FITTINGS

- A. Threaded-End, Standard-Weight Steel Pipe: ASTM A 53/A 53M, ASTM A 135, or ASTM A 795, hot-dip galvanized where indicated and with factory- or field-formed threaded ends.
 1. Cast-Iron Threaded Flanges: ASME B16.1.
 2. Malleable-Iron Threaded Fittings: ASME B16.3.
 3. Gray-Iron Threaded Fittings: ASME B16.4.
 4. Steel Threaded Pipe Nipples: ASTM A 733, made of ASTM A 53/A 53M or ASTM A 106, Schedule 40, seamless steel pipe hot-dip galvanized where indicated. Include ends matching joining method.
 5. Steel Threaded Couplings: ASTM A 865 hot-dip galvanized-steel pipe where indicated.

- B. Plain-End, Standard-Weight Steel Pipe: ASTM A 53/A 53M, ASTM A 135, or ASTM A 795 hot-dip galvanized-steel pipe where indicated.
1. Locking-Lug Fittings: UL 213, ductile-iron body with retainer lugs that require one-quarter turn to secure pipe in fitting not allowed.
- C. Plain-End, Standard-Weight Steel Pipe: ASTM A 53/A 53M, ASTM A 135, or ASTM A 795 hot-dip galvanized-steel pipe where indicated.
1. Steel Welding Fittings: ASTM A 234/A 234M, and ASME B16.9 or ASME B16.11.
 2. Steel Flanges and Flanged Fittings: ASME B16.5.
- D. Grooved-End, Standard-Weight Steel Pipe: ASTM A 53/A 53M, ASTM A 135, or ASTM A 795, hot-dip galvanized where indicated and with factory- or field-formed, roll-grooved ends.
1. Grooved-Joint Piping Systems:
 - a. Manufacturers:
 - 1) Anvil International, Inc.
 - 2) Central Sprinkler Corp.
 - 3) Victaulic Co. of America.
 - 4) Ward Manufacturing.
 - b. Grooved-End Fittings: UL-listed, ASTM A 536, ductile-iron casting with OD matching steel-pipe OD.
 - c. Grooved-End-Pipe Couplings: UL 213 and AWWA C606, rigid pattern, unless otherwise indicated; gasketed fitting matching steel-pipe OD. Include ductile-iron housing with keys matching steel-pipe and fitting grooves, prelubricated rubber gasket listed for use with housing, and steel bolts and nuts.
- E. Threaded-End, Threadable, Thinwall Steel Pipe: ASTM A 135 or ASTM A 795, with wall thickness less than Schedule 40 and greater than Schedule 10, and with factory- or field-formed threaded ends.
1. Cast-Iron Threaded Flanges: ASME B16.1.
 2. Malleable-Iron Threaded Fittings: ASME B16.3.
 3. Gray-Iron Threaded Fittings: ASME B16.4.
 4. Steel Threaded Pipe Nipples: ASTM A 733, made of ASTM A 53/A 53M or ASTM A 106, Schedule 40, seamless steel pipe.
 5. Steel Threaded Couplings: ASTM A 865.
- F. Plain-End, Threadable, Thinwall Steel Pipe: ASTM A 135 or ASTM A 795, with wall thickness less than Schedule 40 and greater than Schedule 10.
1. Locking-Lug Fittings: UL 213, ductile-iron body with retainer lugs that require one-quarter turn to secure pipe in fitting not allowed.
- G. Plain-End, Threadable, Thinwall Steel Pipe: ASTM A 135 or ASTM A 795, with wall thickness less than Schedule 40 and greater than Schedule 10.

1. Steel Welding Fittings: ASTM A 234/A 234M, and ASME B16.9 or ASME B16.11.
 2. Steel Flanges and Flanged Fittings: ASME B16.5.
- H. Grooved-End, Threadable, Thinwall Steel Pipe: ASTM A 135 or ASTM A 795, with wall thickness less than Schedule 40 and greater than Schedule 10, and with factory- or field-formed, roll-grooved ends.
1. Grooved-Joint Piping Systems:
 - a. Manufacturers:
 - 1) Anvil International, Inc.
 - 2) Central Sprinkler Corp.
 - 3) Victaulic Co. of America.
 - 4) Ward Manufacturing.
 - b. Grooved-End Fittings: UL-listed, ASTM A 536, ductile-iron casting with OD matching steel-pipe OD.
 - c. Grooved-End-Pipe Couplings: UL 213 and AWWA C606, rigid pattern, unless otherwise indicated; gasketed fitting matching steel-pipe OD. Include ductile-iron housing with keys matching steel-pipe and fitting grooves, prelubricated rubber gasket listed for use with housing, and steel bolts and nuts.
- I. Plain-End, Schedule 10 Steel Pipe: ASTM A 135 or ASTM A 795, Schedule 10 is not allowed.
- J. Plain-End, Nonstandard OD, Thinwall Steel Pipe: ASTM A 135 or ASTM A 795, with wall thickness less than Schedule 10 is not allowed.
- K. Plain-End, Hybrid Steel Pipe: ASTM A 135 or ASTM A 795, lightwall, with wall thickness less than Schedule 10 and greater than Schedule 5 is not allowed.
- L. Grooved-End, Hybrid Steel Pipe: ASTM A 135 or ASTM A 795, lightwall, with wall thickness less than Schedule 10 and greater than Schedule 5; with factory- or field-formed, roll-grooved ends are not allowed.
- M. Schedule 5 Steel Pipe: ASTM A 135 or ASTM A 795, lightwall, with plain ends is not allowed.

2.6 CPVC TUBE AND FITTINGS

- A. CPVC pipe is produced to the specifications of ASTM F442; Complete system in accordance with its listing limitations, including installation instructions. CPVC is not allowed on this project.

2.7 FLEXIBLE SPRINKLER DROPS

- A. Flexible connectors shall be FM approved with exterior wire braid and have materials suitable for system fluid. Include 175-psig minimum working-pressure rating and ends according to the following:
 - 1. NPS 1: Threaded.
- B. Manufacturers:
 - 1. Flex-Head
 - 2. Victaulic
- C. Stainless-Steel-Hose/Steel Pipe, Flexible Connectors: Corrugated, stainless-steel, inner tubing covered with stainless-steel wire braid. Include steel nipples or flanges, welded to hose.
- D. Stainless-Steel-Hose/Stainless-Steel Pipe, Flexible Connectors: Corrugated, stainless-steel, inner tubing covered with stainless-steel wire braid. Include stainless-steel nipples or flanges, welded to hose.

2.8 FLEXIBLE PIPE CONNECTORS (SEISMIC)

- A. Flexible connectors shall be FM approved with exterior wire braid and have materials suitable for system fluid. Include 175-psig minimum working-pressure rating and ends according to the following:
 - 1. NPS 2 and Smaller: Threaded.
 - 2. NPS 2-1/2 and Larger: Flanged.
 - 3. Option for NPS 2-1/2 and Larger: Grooved for use with grooved-end-pipe couplings.
- B. Manufacturers:
 - 1. Flexicraft Industries.
 - 2. Flex-Pression, Ltd.
 - 3. Metraflex, Inc.
- C. Bronze-Hose, Flexible Connectors: Corrugated, bronze, inner tubing covered with bronze wire braid. Include copper-tube ends or bronze flanged ends, braze welded to hose.
- D. Stainless-Steel-Hose/Steel Pipe, Flexible Connectors: Corrugated, stainless-steel, inner tubing covered with stainless-steel wire braid. Include steel nipples or flanges, welded to hose.
- E. Stainless-Steel-Hose/Stainless-Steel Pipe, Flexible Connectors: Corrugated, stainless-steel, inner tubing covered with stainless-steel wire braid. Include stainless-steel nipples or flanges, welded to hose.

2.9 SPRINKLER SPECIALTY FITTINGS

- A. Sprinkler specialty fittings shall be FMG approved with 175-psig minimum working-pressure rating, and made of materials compatible with piping. Sprinkler specialty fittings shall have 250-psig minimum working-pressure rating if fittings are components of high-pressure piping systems.
- B. Sprinkler Drain and Alarm Test Fittings: Cast- or ductile-iron body, with threaded or locking-lug inlet and outlet, test valve, and orifice and sight glass.
 - 1. Manufactures:
 - a. Central Sprinkler Corp.
 - b. Fire-End and Croker Corp.
 - c. Viking Corp.
 - d. Victaulic Co. of America.
- C. Sprinkler Branch-Line Test Fittings: Brass body with threaded inlet, capped drain outlet, and threaded outlet for sprinkler.
- D. Sprinkler Inspector's Test Fitting: Cast- or ductile-iron housing with threaded inlet and drain outlet and sight glass.
- E. Drop-Nipple Fittings: UL 1474, adjustable with threaded inlet and outlet, and seals.
- F. Dry-Pipe-System Fittings: UL listed for dry-pipe service.

2.10 LISTED FIRE-PROTECTION VALVES

- A. Valves shall be FMG approved, with 175-psig minimum pressure rating. Valves shall have 250-psig minimum pressure rating if valves are components of high-pressure piping system.
- B. Gate Valves with Wall Indicator Posts:
 - 1. Gate Valves: UL 262, cast-iron body, bronze mounted, with solid disc, nonrising stem, operating nut, and flanged ends.
 - 2. Indicator Posts: UL 789, horizontal-wall type, cast-iron body, with hand wheel, extension rod, locking device, and cast-iron barrel.
 - 3. Manufacturers:
 - a. Grinnell Fire Protection.
 - b. McWane, Inc.; Kennedy Valve Div.
 - c. NIBCO.
 - d. Stockham.
- C. Ball Valves: Comply with UL 1091, except with ball instead of disc.
 - 1. NPS 1-1/2 and Smaller: Bronze body with threaded ends.

2. NPS 2 and NPS 2-1/2: Bronze body with threaded ends or ductile-iron body with grooved ends.
 3. NPS 3: Ductile-iron body with grooved ends.
 4. Manufacturers:
 - a. NIBCO.
 - b. Victaulic Co. of America.
- D. Butterfly Valves: UL 1091.
1. NPS 2 and Smaller: Bronze body with threaded ends.
 - a. Manufacturers:
 - 1) Global Safety Products, Inc.
 - 2) Milwaukee Valve Company.
 2. NPS 2-1/2 and Larger: Bronze, cast-iron, or ductile-iron body; wafer type or with flanged or grooved ends.
 - a. Manufacturers:
 - 1) Central Sprinkler Corp.
 - 2) McWane, Inc.; Kennedy Valve Div.
 - 3) Mueller Company.
 - 4) NIBCO.
 - 5) Victaulic Co. of America.
- E. Check Valves NPS 2 and Larger: UL 312, swing type, cast-iron body with flanged or grooved ends.
1. Manufacturers:
 - a. American Cast Iron Pipe Co.; Waterous Co.
 - b. Central Sprinkler Corp.
 - c. Clow Valve Co.
 - d. Crane Co.; Crane Valve Group; Crane Valves.
 - e. Crane Co.; Crane Valve Group; Jenkins Valves.
 - f. Fivalco
 - g. Globe Fire Sprinkler Corporation.
 - h. Grinnell Fire Protection.
 - i. Hammond Valve.
 - j. McWane, Inc.; Kennedy Valve Div.
 - k. Mueller Company.
 - l. NIBCO.
 - m. Potter-Roemer; Fire Protection Div.
 - n. Reliable Automatic Sprinkler Co., Inc.
 - o. Star Sprinkler Inc.
 - p. Stockham.
 - q. United Brass Works, Inc.
 - r. Victaulic Co. of America.

- s. Watts Industries, Inc.; Water Products Div.
- F. Gate Valves: UL 262, OS&Y type.
- 1. NPS 2 and Smaller: Bronze body with threaded ends.
 - a. Manufacturers:
 - 1) Crane Co.; Crane Valve Group; Crane Valves.
 - 2) Fivalco.
 - 3) Hammond Valve.
 - 4) NIBCO.
 - 5) United Brass Works, Inc.
 - 2. NPS 2-1/2 and Larger: Cast-iron body with flanged ends.
 - a. Manufacturers:
 - 1) Clow Valve Co.
 - 2) Crane Co.; Crane Valve Group; Crane Valves.
 - 3) Crane Co.; Crane Valve Group; Jenkins Valves.
 - 4) Fivalco
 - 5) Hammond Valve.
 - 6) Milwaukee Valve Company.
 - 7) Mueller Company.
 - 8) NIBCO.
 - 9) United Brass Works, Inc.
- G. Indicating Valves: UL 1091, with integral indicating device and ends matching connecting piping.
- 1. Indicator: Electrical, 115-V ac, prewired, single-circuit, supervisory switch and Visual.
 - 2. NPS 2 and Smaller: Ball or butterfly valve with bronze body and threaded ends.
 - a. Manufacturers:
 - 1) Milwaukee Valve Company.
 - 2) NIBCO.
 - 3) Victaulic Co. of America.
 - 3. NPS 2-1/2 and Larger: Butterfly valve with cast- or ductile-iron body; wafer type or with flanged or grooved ends.
 - a. Manufacturers:
 - 1) Central Sprinkler Corp.
 - 2) Grinnell Fire Protection.
 - 3) McWane, Inc.; Kennedy Valve Div.
 - 4) Milwaukee Valve Company.
 - 5) NIBCO.
 - 6) Victaulic Co. of America.

H. Supervised Normally Closed Valve

1. Indicator: Electrical, 115-V ac, prewired, single-circuit, supervisory switch and visual to send signal on partial close.
 - a. Manufactures:
 - 1) NIBCO.
 - 2) Victaulic Co. of America.

2.11 UNLISTED GENERAL-DUTY VALVES

- A. Ball Valves NPS 2 and Smaller: MSS SP-110, 2-piece copper-alloy body with chrome-plated brass ball, 600-psig minimum CWP rating, blowout-proof stem, and threaded ends.
- B. Check Valves NPS 2 and Smaller: MSS SP-80, Type 4, Class 125 minimum, swing type with bronze body, nonmetallic disc, and threaded ends.
- C. Gate Valves NPS 2 and Smaller: MSS SP-80, Type 2, Class 125 minimum, with bronze body, solid wedge, and threaded ends.
- D. Globe Valves NPS 2 and Smaller: MSS SP-80, Type 2, Class 125 minimum, with bronze body, nonmetallic disc, and threaded ends.

2.12 SPECIALTY VALVES

- A. Sprinkler System Control Valves: FMG approved, cast- or ductile-iron body with flanged or grooved ends, and 175-psig minimum pressure rating. Control valves shall have 250-psig minimum pressure rating if valves are components of high-pressure piping system.
 1. Manufacturers:
 - a. Globe Fire Sprinkler Corporation.
 - b. Reliable Automatic Sprinkler Co., Inc.
 - c. Victaulic Co. of America.
 - d. Viking Corp.
- B. Automatic Drain Valves: UL 1726, NPS 3/4, ball-check device with threaded ends.
 1. Manufacturers:
 - a. Grinnell Fire Protection.

2.13 SPRINKLERS

- A. Sprinklers shall be UL listed or FMG approved, with 175-psig minimum pressure rating. Sprinklers shall have 250-psig minimum 300-psig pressure rating if sprinklers are components of high-pressure piping system.
- B. Sprinklers shall have 250-psig minimum 300-psig pressure rating if sprinklers are components of high-pressure piping system.
- C. Manufacturers:
 - 1. Globe Fire Sprinkler Corporation.
 - 2. Reliable Automatic Sprinkler Co., Inc.
 - 3. Victaulic Co. of America.
 - 4. Viking Corp.
 - 5. Tyco Fire
- D. Automatic Sprinklers: With heat-responsive element complying with the following:
 - 1. UL 199, for nonresidential applications.
 - 2. UL 1626, for residential applications.
- E. Sprinkler Types and Categories: Nominal 1/2-inch orifice for "Ordinary" temperature classification rating, unless otherwise indicated or required by application.
 - 1. Open Sprinklers: UL 199, without heat-responsive element.
 - a. Orifice: 1/2 inch, with discharge coefficient K between 5.3 and 5.8.
 - b. Orifice: 17/32 inch, with discharge coefficient K between 7.4 and 8.2.
- F. Sprinkler types, features, and options as follows:
 - 1. Concealed ceiling sprinklers, including cover plate.
 - 2. Extended-coverage sprinklers, not allowed unless approved in writing prior to bidding.
 - 3. Flow-control sprinklers, with automatic open and shutoff feature.
 - 4. Flush ceiling sprinklers, including escutcheon, not allowed.
 - 5. Institution sprinklers, made with a small, breakaway projection.
 - 6. Pendent sprinklers.
 - 7. Pendent, dry-type sprinklers.
 - 8. Quick-response sprinklers.
 - 9. Recessed sprinklers, including escutcheon.
 - 10. Sidewall sprinklers.
 - 11. Sidewall, dry-type sprinklers.
 - 12. Upright sprinklers.
- G. Sprinkler Finishes: Chrome plated, bronze, and painted. Finishes as approved by FM Global.
- H. Special Coatings: Wax, lead, and corrosion-resistant paint.

- I. Sprinkler Escutcheons: Materials, types, and finishes for the following sprinkler mounting applications. Escutcheons for concealed, flush, and recessed-type sprinklers are specified with sprinklers.
 1. Ceiling Mounting: Flat plate concealed, white.
 2. Sidewall Mounting: Semi-Recessed, white.
- J. Sprinkler Guards: Wire-cage type, including fastening device for attaching to sprinkler.

2.14 ALARM DEVICES

- A. Alarm-device types shall match piping and equipment connections.
- B. Electrically Operated Alarm: Horn/Strobe, NEMA 3R minimum suitable for outdoor use.
 1. Manufacturers:
 - a. Potter Electric Signal Company.
 - b. System Sensor.
- C. Water-Flow Indicator: UL 346, electrical-supervision, paddle-operated-type, water-flow detector with 250-psig pressure rating and designed for horizontal or vertical installation. Include two single-pole, double-throw circuit switches for isolated alarm and auxiliary contacts, 7 A, 125-V ac and 0.25 A, 24-V dc; complete with factory-set, field-adjustable retard element to prevent false signals and tamperproof cover that sends signal if removed.
 1. Manufacturers:
 - a. ADT Security Services, Inc.
 - b. Grinnell Fire Protection.
 - c. ITT McDonnell & Miller.
 - d. Potter Electric Signal Company.
 - e. System Sensor.
 - f. Viking Corp.
 - g. Watts Industries, Inc.; Water Products Div.
- D. Pressure Switch: UL 753, electrical-supervision-type, water-flow switch with retard feature. Include single-pole, double-throw, normally closed contacts and design that operates on rising pressure and signals water flow.
 1. Manufacturers:
 - a. Grinnell Fire Protection.
 - b. Potter Electric Signal Company.
 - c. System Sensor.
 - d. Viking Corp.

- E. Valve Supervisory Switch: UL 753, electrical, single-pole, double-throw switch with normally closed contacts. Include design that signals controlled valve is in other than fully open position.
 - 1. Manufacturers:
 - a. McWane, Inc.; Kennedy Valve Div.
 - b. Potter Electric Signal Company.
 - c. System Sensor.

- F. Indicator-Post Supervisory Switch: UL 753, electrical, single-pole, double-throw switch with normally closed contacts. Include design that signals controlled indicator-post valve is in other than fully open position.
 - 1. Manufacturers:
 - a. Potter Electric Signal Company.
 - b. System Sensor.

2.15 PRESSURE GAGES

- A. Manufacturers:
 - 1. Brecco Corporation.
 - 2. Dresser Equipment Group; Instrument Div.
 - 3. Marsh Bellofram.
 - 4. WIKA Instrument Corporation.

- B. Description: UL 393, 3-1/2- to 4-1/2-inch- diameter, dial pressure gage with range of 0 to 250 psig minimum.
 - 1. Water System Piping: Include caption "WATER" or "AIR/WATER" on dial face.
 - 2. Air System Piping: Include retard feature and caption "AIR" or "AIR/WATER" on dial face.

PART 3 - EXECUTION

3.1 PREPARATION

- A. Obtain Engineer's Water Analysis or fire-hydrant flow test. Use results for system design calculations required in "Quality Assurance" Article in Part 1 of this Section.

- B. Engineer's Water Analysis. See Flow Analysis provided by Van Boerum & Frank Associates.

3.2 EARTHWORK

- A. Refer to Division 31 Section "Earth Moving" for excavating, trenching, and backfilling.

3.3 EXAMINATION

- A. Examine roughing-in for hose connections and stations to verify actual locations of piping connections before installation.
- B. Examine walls and partitions for suitable thicknesses, fire- and smoke-rated construction, framing for hose-station cabinets, and other conditions where hose connections and stations are to be installed.
- C. Proceed with installation only after unsatisfactory conditions have been corrected.

3.4 PIPING APPLICATIONS

- A. Shop weld pipe joints where welded piping is indicated.
- B. Do not use welded joints for galvanized-steel pipe.
- C. Flanges, flanged fittings, unions, nipples, and transition and special fittings with finish and pressure ratings same as or higher than system's pressure rating may be used in aboveground applications, unless otherwise indicated.
- D. Piping between Fire Department Connections and Check Valves: Galvanized, standard-weight steel pipe with grooved ends; grooved-end fittings; grooved-end-pipe couplings; and grooved joints.
- E. Underground Service-Entrance Piping: Ductile-iron, push-on or mechanical-joint pipe and fittings and restrained joints. Include corrosion-protective encasement.
- F. Sprinkler Main Piping: Use the following:
 - 1. NPS 6 and Smaller: Standard-weight steel pipe with threaded ends, or grooved ends. No plain ends allowed.
 - 2. Outlets shall be welded.
 - a. Victaulic Brand Mechanical tee fittings may be used in lieu of welded outlets.
- G. Branch line piping: Use the following:
 - 1. NPS 1-1/4 and Smaller: Threadable steel pipe with threaded ends; cast- or malleable-iron threaded fittings; and threaded joints.
 - a. Victaulic Brand Mechanical tee fittings may be used
- H. Standpipes and mains: Use the following:
 - 1. NPS 4 to NPS 6: Schedule 40 steel pipe with grooved ends & Welded outlets.
 - 2. NPS 3 and Smaller: Schedule 40 steel pipe with threaded ends, or grooved ends. No plain ends allowed.

3.5 VALVE APPLICATIONS

- A. Drawings indicate valve types to be used. Where specific valve types are not indicated, the following requirements apply:
 - 1. Fire-Protection-Service Valves: UL listed and FM approved for applications where required by NFPA 13 and NFPA 14.
 - 2. General-Duty Valves: For applications where UL-listed and FM-approved valves are not required by NFPA 13 and NFPA 14.
 - a. Shutoff Duty: Use gate, ball, or butterfly valves.
 - b. Throttling Duty: Use globe, ball, or butterfly valves.

3.6 JOINT CONSTRUCTION

- A. Refer to Division 23 Section "Common Work Result for HVAC" for basic piping joint construction.
- B. Ductile-Iron-Piping, Grooved Joints: Use ductile-iron pipe with radius-cut-grooved ends; ductile-iron, grooved-end fittings; and ductile-iron, keyed couplings. Assemble joints with couplings, gaskets, lubricant, and bolts according to coupling manufacturer's written instructions.
- C. Steel-Piping, Grooved Joints: Use Schedule 40 steel pipe with cut or roll-grooved ends and Schedule 30 or thinner steel pipe with roll-grooved ends; steel, grooved-end fittings; and steel, keyed couplings. Assemble joints with couplings, gaskets, lubricant, and bolts according to coupling manufacturer's written instructions. Use gaskets listed for dry-pipe service for dry piping.

3.7 WATER-SUPPLY CONNECTION

- A. Install shutoff Backflow preventions assemblies, valve, pressure gage's, drain, and other accessories at connection to water service.

3.8 PIPING INSTALLATION

- A. Refer to Division 23 Section "Common Work Result for HVAC" for basic piping installation.
- B. Locations and Arrangements: Drawing plans, schematics, and diagrams indicate general location and arrangement of piping. Install piping as indicated, as far as practical.
 - 1. Deviations from approved working plans for piping require written approval from authorities having jurisdiction. File written approval with Architect before deviating from approved working plans.
- C. Use approved fittings to make changes in direction, branch takeoffs from mains, and reductions in pipe sizes.

- D. Install unions adjacent to each valve in pipes NPS 2 and smaller. Unions are not required on flanged devices or in piping installations using grooved joints.
- E. Install flanges or flange adapters on valves, apparatus, and equipment having NPS 2-1/2 and larger connections.
- F. Install "Inspector's Test Connections" in sprinkler piping, complete with shutoff valve, sized and located according to NFPA 13.
- G. Install sprinkler piping with drains for complete system drainage.
- H. Install sprinkler zone control valves, check valves, test assemblies, and drain risers adjacent to standpipes when sprinkler piping is connected to standpipes.
- I. Install drain valves on standpipes.
- J. Install ball drip valves to drain piping between fire department connections and check valves. Drain to floor drain or outside building.
- K. Install alarm devices in piping systems.
- L. Hangers and Supports: Comply with NFPA 13 for hanger materials. Install according to NFPA 13 for sprinkler piping and to NFPA 14 for standpipes.
 - 1. No powder driven studs allowed.
 - 2. Wrap-around braces are to be provided at end of branch lines.
- M. Earthquake Protection: Install piping according to NFPA 13-9.3 requirements, to protect from earthquake damage. Seismic Bracing shall be designed to withstand vertical forces and movement.
- N. Install piping with grooved joints according to manufacturer's written instructions. Construct rigid piping joints, unless otherwise indicated, or required by NFPA 13 for flexibility in seismic zones.
- O. Install pressure gages on riser or feed main, at each sprinkler test connection, and at top of each standpipe. Include pressure gages with connection not less than NPS 1/4 and with soft metal seated globe valve, arranged for draining pipe between gage and valve. Install gages to permit removal, and install where they will not be subject to freezing.
- P. When a fire pipe crosses a seismic expansion joint it shall have a Metraflex fire loop installed at the joint in accordance with NFPA 13 chapter 9.

3.9 SPECIALTY SPRINKLER FITTING INSTALLATION

- A. Install specialty sprinkler fittings according to manufacturer's written instructions.

3.10 VALVE INSTALLATION

- A. Refer to Division 23 Section "Valves" for installing general-duty valves. Install fire-protection specialty valves, trim, fittings, controls, and specialties according to NFPA 13 and NFPA 14, manufacturer's written instructions, and authorities having jurisdiction.
- B. Valves: Install fire-protection-service valves supervised-open, located to control sources of water supply except from fire department connections. Provide permanent identification signs indicating portion of system controlled by each valve.
- C. Double Check Valve Assemblies: Install valves in vertical up or horizontal position, per listings and for proper direction of flow.
- D. Deluge Valves: Install in vertical position, in proper direction flow, in main supply to deluge system.

3.11 SPRINKLER APPLICATIONS

- A. General: All sprinklers are to be quick response type. Sprinkler heads shall be of the latest design closed spray type for 155°F unless specified otherwise or required by code. Extended coverage heads shall not be used. Orifices larger than 1/2" may be used as required by density and spacing demands. Use sprinklers according to the following applications:
 - 1. Rooms without Ceilings: Upright and/or pendent sprinklers. Provide mechanical guards on all heads at or below 7'-0" height above the floor or where damage from room occupant use may occur.
 - 2. Rooms with Ceilings: Concealed sprinklers, where indicated.
 - 3. Wall Mounting: Sidewall sprinklers with recessed escutcheon.
 - 4. Institutional sprinklers shall be installed in areas of detention, correctional or mental health care facilities.
 - 5. Heads located within the air streams of unit heaters or other heat-emitting equipment shall be selected for proper temperature rating.
 - 6. Sprinkler Finishes: Use sprinklers with the following finishes:
 - a. Upright, Pendent, and Sidewall Sprinklers: Chrome in finished spaces exposed to view; rough bronze in unfinished spaces not exposed to view.
 - b. Concealed Sprinklers: Rough brass, with White cover plate to match ceiling color.
- B. Sprinklers: Use the following:
 - 1. All sprinklers shall be listed, quick response type.
 - 2. Sprinkler in future finish spaces (shelled) 10' x 10' spacing shall be pendants/uprights installed with 1 x 1/2" bushing, to accommodate future finishes.
 - 3. Finish ceiling spaces shall have semi-recessed type escutcheon.

3.12 SPRINKLER INSTALLATION

- A. Every effort shall be required to ensure that the heads form a symmetrical pattern in the ceiling with the ceiling grid if included, as well as lights, diffusers and grilles. Offsets shall be made in piping to accommodate ductwork in the ceiling. Heads shall be symmetrical in all ceilings and all piping run parallel or perpendicular to building lines. Heads shall be linearly aligned in corridors.
 - 1. In no case shall sprinkler heads be installed closer than approved distances from ceiling obstructions and HVAC ductwork.
 - 2. Sprinkler heads shall not conflict with tile grids.
 - 3. Sprinkler heads shall be located near center of corridors.
- B. Where layout of sprinkler heads is shown on reflected ceiling plans the locations shall be followed unless approval is obtained from the Architect or such locations shown do not meet the requirements of NFPA-13. In either case, approval of the Architect shall be obtained in writing before sprinkler head locations are changed. If the installation of additional heads is needed to conform to NFPA 13 requirements in areas where heads are shown on reflected ceiling plans, they shall be included in the contract price.
- C. Install sprinklers in patterns indicated.
- D. Do not install pendent or sidewall, wet-type sprinklers in areas subject to freezing. Use dry-type sprinklers with water supply from heated space.
- E. Future finish shelled and tenant finish; Shell spaces shall be piped to accommodate future. Install sprinklers with 1" x 1/2" bushings, and space heads at a maximum spacing of 100 sq. ft. per head. Occupancy shall be Ordinary-Hazard Group 1 Design.
- F. Concealed type sprinkler shall be installed in the following areas:
 - 1. Procedure, Operating & Sterile rooms
 - 2. Communications rooms
 - 3. CT Scan Control/computer room
 - 4. Cat scan/control/computer room
 - 5. All Pre-action sprinkler systems, where ceilings are provided.
 - 6. Other areas as indicated on drawings.

3.13 CONNECTIONS

- A. Connect water-supply piping and standpipes and sprinklers where indicated.
- B. Connect piping to specialty valves, hose valves, specialties, fire department connections, and accessories.
- C. Electrical Connections: Power wiring is specified in Division 28.
- D. Connect alarm devices to fire alarm.

3.14 LABELING AND IDENTIFICATION

- A. Install labeling and pipe markers on equipment and piping according to requirements in NFPA 13 and NFPA 14 and in Division 23 Section "Common Work Result for HVAC."

3.15 FIELD QUALITY CONTROL

- A. Flush, test, and inspect sprinkler piping according to NFPA 13, "System Acceptance" Chapter.
- B. Flush, test, and inspect standpipes according to NFPA 14, "Tests and Inspection" Chapter.
- C. Replace piping system components that do not pass test procedures and retest to demonstrate compliance. Repeat procedure until satisfactory results are obtained.
- D. When making a mechanical tee connection the coupon shall be attached at the mechanical tee.
- E. Report test results promptly and in writing to Architect and authorities having jurisdiction.
- F. Whether the underground serving the sprinkler system is done by this contractor or another, this contractor will be responsible to assure and have in his possession a certificate that the underground has been flushed and tested by the contractor who installed it in accordance with NFPA-24 prior to connection of the underground piping to the overhead sprinkler system.

3.16 CLEANING

- A. Clean dirt and debris from sprinklers.
- B. Remove and replace sprinklers having paint other than factory finish.

3.17 PROTECTION

- A. Protect sprinklers from damage until Substantial Completion.

3.18 COMMISSIONING

- A. Verify that specialty valves, trim, fittings, controls, and accessories are installed and operate correctly.
- B. Verify that specified tests of piping are complete and that "Material Test Certificates" are complete.

- C. Verify that damaged sprinklers and sprinklers with paint or coating not specified are replaced with new, correct type.
- D. Verify that sprinklers are correct types, have correct finishes and temperature ratings, and have guards as required for each application.
- E. Verify that hose connections and fire department connections have threads compatible with local fire department equipment.
- F. Fill wet-pipe sprinkler piping with water.
- G. Fill standpipes with water.
- H. Verify that hose connections are correct type and size.
- I. Coordinate with fire alarm tests. Operate as required.

3.19 DEMONSTRATION & TESTS

- A. Demonstrate equipment, specialties, and accessories. Review operating and maintenance information.
- B. All tests will be conducted as required by the local authority having jurisdiction, and in no case less than those required by NFPA standards. As a minimum, piping in the sprinkler system shall be tested at a water pressure at 200 psi for a period of not less than two hours, or at 50 psi in excess of the normal pressure when the normal pressure is above 150 psi. Bracing shall be in place, and air shall be removed from the system through the hydrants and drain valves before the test pressure is applied. No apparent leaks will be permitted on interior or underground piping.
- C. The local jurisdiction having authority and the Utah State Fire Marshal's office (where required) shall be notified at least three working days in advance of all tests and flushing. This includes any flushing of underground, hydrostatic testing, or flow testing that may be required.
- D. This contractor shall make all the required tests to the sprinkler system as required by code. He shall be responsible to assure that the Contractor Test Certificates for the overhead, backflow and underground work are completed and delivered to the owner's insurance underwriter to assure proper insurance credit.
- E. All tests requiring the witnessing by local authorities will be the responsibility of this contractor. If tests are not run or do not have the proper witness, then they will be run later and all damage caused by the system, or caused in uncovering the system for such test, will be borne by this contractor.

3.20 WARRANTY

- A. This contractor shall warranty the sprinkler system and all its components for one year from the date of acceptance by the owner. Any costs incurred to extend any warranties of materials to assure this time frame shall be borne by this contractor.

- B. Provide Operation and Maintenance Manuals with correct as-builts test certificates and warranties included. A minimum 6 sets to be provided in red 3-ring binders. Include a current adopted version of NFPA 25 softbound copy left with owner.
- C. Electronic copy of AutoCAD as-built drawings shall also be provided on CD, with each O&M Manual.

3.21 FIELD QUALITY CONTROL

- A. Flush, test and inspect sprinkler piping according to NFPA 13, "System Acceptance" Chapter.
- B. Replace piping system components that do not pass test procedures and retest to demonstrate compliance. Repeat procedure until satisfactory results are obtained.
- C. Report test results promptly and in writing to Architect and authorities having jurisdiction.

END OF SECTION

THIS PAGE INTENTIONALLY BLANK

SECTION 22 05 00 - COMMON WORK RESULTS FOR PLUMBING

PART 1 - GENERAL

1.1 RELATED DOCUMENTS

- A. Drawings and general provisions of the Contract, including General and Supplementary Conditions and Division 01 Specification Sections, apply to this Section.

1.2 SUMMARY

- A. This Section includes the following:
 1. Piping materials and installation instructions common to most piping systems.
 2. Transition fittings.
 3. Dielectric fittings.
 4. Mechanical sleeve seals.
 5. Sleeves.
 6. Escutcheons.
 7. Grout.
 8. Equipment installation requirements common to equipment sections.
 9. Painting and finishing.
 10. Concrete bases.
 11. Supports and anchorages.
 12. Link Seal
 13. Lead Free requirements.

1.3 LEAD FREE REQUIREMENTS

- A. For all projects within the United States, and when water is anticipated for human consumption, all pipes, pipe fittings, plumbing fittings and fixtures shall comply with PUBLIC LAW 111-380 "Reduction of Lead in Drinking Water Act" 124 STAT. 4131, 42-USC 1201, January 4th, 2011.

1.4 DEFINITIONS

- A. Finished Spaces: Spaces other than mechanical and electrical equipment rooms, furred spaces, pipe chases, unheated spaces immediately below roof, spaces above ceilings, unexcavated spaces, and crawlspaces.
- B. Exposed, Interior Installations: Exposed to view indoors. Examples include finished occupied spaces and mechanical equipment rooms, accessible pipe shafts, accessible plumbing chases and accessible tunnels.
- C. Exposed, Exterior Installations: Exposed to view outdoors or subject to outdoor ambient temperatures and weather conditions. Examples include rooftop locations.

- D. Concealed, Interior Installations: Concealed from view and protected from physical contact by building occupants. Examples include above ceilings and in chases.
- E. Concealed, Exterior Installations: Concealed from view and protected from weather conditions and physical contact by building occupants but subject to outdoor ambient temperatures. Examples include installations within unheated shelters.
- F. The following are industry abbreviations for rubber materials:
 - 1. EPDM: Ethylene-propylene-diene terpolymer rubber.
 - 2. NBR: Acrylonitrile-butadiene rubber.
- G. Lead Free:
 - 1. Not containing more than 0.2 percent lead when used with respect to solder and flux.
 - 2. Not more than a weighted average of 0.25 percent lead when used with respect to the wetted surfaces of pipes, pipe fittings, plumbing fittings and fixtures.
 - 3. Calculation: The weighted average lead content of a pipe, pipe fitting, plumbing fitting or fixture shall be calculated by using the formula prescribed in the law named in LEAD FREE REQUIREMENTS above.

1.5 SUBMITTALS

- A. Product Data: For the following:
 - 1. Transition fittings.
 - 2. Dielectric fittings.
 - 3. Mechanical sleeve seals.
 - 4. Escutcheons.
- B. Welding certificates.

1.6 QUALITY ASSURANCE

- A. Steel Support Welding: Qualify processes and operators according to AWS D1.1, "Structural Welding Code--Steel."
- B. Electrical Characteristics for Plumbing Equipment: Equipment of higher electrical characteristics may be furnished provided such proposed equipment is approved in writing and connecting electrical services, circuit breakers, and conduit sizes are appropriately modified. If minimum energy ratings or efficiencies are specified, equipment shall comply with requirements.

1.7 DELIVERY, STORAGE, AND HANDLING

- A. Deliver pipes and tubes with factory-applied end caps. Maintain end caps through shipping, storage, and handling to prevent pipe end damage and to prevent entrance of dirt, debris, and moisture.
- B. Store plastic pipes protected from direct sunlight. Support to prevent sagging and bending.

1.8 COORDINATION

- A. Arrange for pipe spaces, chases, slots, and openings in building structure during progress of construction, to allow for plumbing installations.
- B. Coordinate installation of required supporting devices and set sleeves in poured-in-place concrete and other structural components as they are constructed.
- C. Coordinate requirements for access panels and doors for plumbing items requiring access that are concealed behind finished surfaces. Access panels and doors are specified in Division 08 Section "Access Doors and Frames."

PART 2 - PRODUCTS

2.1 MANUFACTURERS

- A. In other Part 2 articles where subparagraph titles below introduce lists, the following requirements apply for product selection:
 - 1. Manufacturers: Subject to compliance with requirements, provide products by the manufacturers specified.

2.2 PIPE, TUBE, AND FITTINGS

- A. Refer to individual Division 22 piping Sections for pipe, tube, and fitting materials and joining methods.
- B. Pipe Threads: ASME B1.20.1 for factory-threaded pipe and pipe fittings.

2.3 JOINING MATERIALS

- A. Refer to individual Division 22 piping Sections for special joining materials not listed below.
- B. Pipe-Flange Gasket Materials: Suitable for chemical and thermal conditions of piping system contents.
 - 1. ASME B16.21, nonmetallic, flat, asbestos-free, 1/8-inch maximum thickness unless thickness or specific material is indicated.
 - a. Full-Face Type: For flat-face, Class 125, cast-iron and cast-bronze flanges.
 - b. Narrow-Face Type: For raised-face, Class 250, cast-iron and steel flanges.
 - 2. AWWA C110, rubber, flat face, 1/8 inch thick, unless otherwise indicated; and full-face or ring type, unless otherwise indicated.
- C. Flange Bolts and Nuts: ASME B18.2.1, carbon steel, unless otherwise indicated.

- D. Plastic, Pipe-Flange Gasket, Bolts, and Nuts: Type and material recommended by piping system manufacturer, unless otherwise indicated.
- E. Solder Filler Metals: ASTM B 32, lead-free alloys. Include water-flushable flux according to ASTM B 813.
- F. Brazing Filler Metals: AWS A5.8, BCuP Series, copper-phosphorus alloys for general-duty brazing, unless otherwise indicated; and AWS A5.8, BAg1, silver alloy for refrigerant piping, unless otherwise indicated.

2.4 TRANSITION FITTINGS

- A. Flexible Transition Couplings for Underground Nonpressure Drainage Piping: ASTM C 1173 with elastomeric sleeve, ends same size as piping to be joined, and corrosion-resistant metal band on each end.
 - 1. Manufacturers:
 - a. Cascade Waterworks Mfg. Co.
 - b. Fernco, Inc.
 - c. Mission Rubber Company.
 - d. Plastic Oddities, Inc.

2.5 DIELECTRIC FITTINGS

- A. Description: Combination fitting of copper alloy and ferrous materials with threaded, solder-joint, plain, or weld-neck end connections that match piping system materials.
- B. Insulating Material: Suitable for system fluid, pressure, and temperature.
- C. Dielectric Unions: Factory-fabricated, union assembly, for 250-psig minimum working pressure at 180 deg F.
 - 1. Manufacturers:
 - a. Capitol Manufacturing Co.
 - b. Central Plastics Company.
 - c. Eclipse, Inc.
 - d. Epco Sales, Inc.
 - e. Hart Industries, International, Inc.
 - f. Watts Industries, Inc.; Water Products Div.
 - g. Zurn Industries, Inc.; Wilkins Div.
- D. Dielectric Flanges: Factory-fabricated, companion-flange assembly, for 150- or 300-psig minimum working pressure as required to suit system pressures.
 - 1. Manufacturers:
 - a. Capitol Manufacturing Co.
 - b. Central Plastics Company.

- c. Epco Sales, Inc.
 - d. Watts Industries, Inc.; Water Products Div.
- E. Dielectric-Flange Kits: Companion-flange assembly for field assembly. Include flanges, full-face- or ring-type neoprene or phenolic gasket, phenolic or polyethylene bolt sleeves, phenolic washers, and steel backing washers.
 - 1. Manufacturers:
 - a. Advance Products & Systems, Inc.
 - b. Calpico, Inc.
 - c. Central Plastics Company.
 - d. Pipeline Seal and Insulator, Inc.
 - 2. Separate companion flanges and steel bolts and nuts shall have 150- or 300-psig minimum working pressure where required to suit system pressures.
- F. Dielectric Couplings: Galvanized-steel coupling with inert and noncorrosive, thermoplastic lining; threaded ends; and 300-psig minimum working pressure at 225 deg F.
 - 1. Manufacturers:
 - a. Calpico, Inc.
 - b. Lochinvar Corp.
- G. Dielectric Nipples: Electroplated steel nipple with inert and noncorrosive, thermoplastic lining; plain, threaded, or grooved ends; and 300-psig minimum working pressure at 225 deg F.
 - 1. Manufacturers:
 - a. Perfection Corp.
 - b. Precision Plumbing Products, Inc.
 - c. Sioux Chief Manufacturing Co., Inc.
 - d. Victaulic Co. of America.

2.6 MECHANICAL SLEEVE SEALS

- A. Description: Modular sealing element unit, designed for field assembly, to fill annular space between pipe and sleeve.
 - 1. Manufacturers:
 - a. Advance Products & Systems, Inc.
 - b. Calpico, Inc.
 - c. Metraflex Co.
 - d. Pipeline Seal and Insulator, Inc.
 - 2. Sealing Elements: EPDM interlocking links shaped to fit surface of pipe. Include type and number required for pipe material and size of pipe.

3. Pressure Plates: Stainless steel. Include two for each sealing element.
4. Connecting Bolts and Nuts: Stainless steel of length required to secure pressure plates to sealing elements. Include one for each sealing element.

2.7 SLEEVES

- A. Galvanized-Steel Sheet: 0.0239-inch minimum thickness; round tube closed with welded longitudinal joint.
- B. Steel Pipe: ASTM A 53, Type E, Grade B, Schedule 40, galvanized, plain ends.
- C. Cast Iron: Cast or fabricated "wall pipe" equivalent to ductile-iron pressure pipe, with plain ends and integral waterstop, unless otherwise indicated.
- D. Stack Sleeve Fittings: Manufactured, cast-iron sleeve with integral clamping flange. Include clamping ring and bolts and nuts for membrane flashing.
 1. Underdeck Clamp: Clamping ring with set screws.
- E. Molded PE: Reusable, PE, tapered-cup shaped, and smooth-outer surface with nailing flange for attaching to wooden forms.

2.8 ESCUTCHEONS

- A. Description: Manufactured wall and ceiling escutcheons and floor plates, with an ID to closely fit around pipe, tube, and insulation of insulated piping and an OD that completely covers opening.
- B. One-Piece, Deep-Pattern Type: Deep-drawn, box-shaped brass with polished chrome-plated finish.
- C. One-Piece, Floor-Plate Type: Cast-iron floor plate.
- D. Split-Casting, Floor-Plate Type: Cast brass with concealed hinge and set screw.

2.9 GROUT

- A. Description: ASTM C 1107, Grade B, nonshrink and nonmetallic, dry hydraulic-cement grout.
 1. Characteristics: Post-hardening, volume-adjusting, nonstaining, noncorrosive, nongaseous, and recommended for interior and exterior applications.
 2. Design Mix: 5000-psi, 28-day compressive strength.
 3. Packaging: Premixed and factory packaged.

2.10 LINK SEAL

- A. Link-Seal® Modular Seal Pressure Plates

1. Link-Seal® modular seal pressure plates shall be molded of glass reinforced Nylon Polymer with the following properties:
 - a. Izod Impact - Notched = 2.05ft-lb/in. per ASTM D-256
Flexural Strength @ Yield = 30,750 psi per ASTM D-790
Flexural Modulus = 1,124,000 psi per ASTM D-790
Elongation Break = 11.07% per ASTM D-638
Specific Gravity = 1.38 per ASTM D-792
2. Models LS200-275-300-315 shall incorporate the most current Link-Seal® Modular Seal design modifications and shall include an integrally molded compression assist boss on the top (bolt entry side) of the pressure plate, which permits increased compressive loading of the rubber sealing element. Models 315-325-340-360-400-410-425-475-500-525-575-600 shall incorporate an integral recess known as a "Hex Nut Interlock" designed to accommodate commercially available fasteners to insure proper thread engagement for the class and service of metal hardware. All pressure plates shall have a permanent identification of the manufacturer's name molded into it.
3. For fire and Hi-Temp service, pressure plates shall be steel with 2-part Zinc Dichromate Coating.
4. Link-Seal® Modular Seal Hardware: All fasteners shall be sized according to latest Link-Seal® modular seal technical data. Bolts, flange hex nuts shall be: 316 Stainless Steel per ASTM F593-95, with a 85,000 psi average tensile strength.

2.11 LEAD FREE PRODUCTS:

- A. For all products to be purchased whenever water is anticipated for human consumption, all pipes, pipe fittings, plumbing fittings and fixtures shall comply with the LEAD FREE REQUIREMENTS in PART 1 above.

PART 3 - EXECUTION

3.1 PLUMBING DEMOLITION

- A. Refer to Division 01 Section "Cutting and Patching" and Division 02 Section "Selective Structure Demolition" for general demolition requirements and procedures.
- B. Disconnect, demolish, and remove plumbing systems, equipment, and components indicated to be removed.
 1. Piping to Be Removed: Remove portion of piping indicated to be removed and cap or plug remaining piping with same or compatible piping material.
 2. Piping to Be Abandoned in Place: Drain piping and cap or plug piping with same or compatible piping material.
 3. Equipment to Be Removed: Disconnect and cap services and remove equipment.

4. Equipment to Be Removed and Reinstalled: Disconnect and cap services and remove, clean, and store equipment; when appropriate, reinstall, reconnect, and make equipment operational.
 5. Equipment to Be Removed and Salvaged: Disconnect and cap services and remove equipment and deliver to Owner.
- C. If pipe, insulation, or equipment to remain is damaged in appearance or is unserviceable, remove damaged or unserviceable portions and replace with new products of equal capacity and quality.

3.2 SEISMIC REQUIREMENTS

- A. Comply with SEI/ASCE 7 and with requirements for seismic seismic-restraint devices in Section 220548 "Vibration and Seismic Controls for Plumbing Piping and Equipment."

3.3 LEAD FREE REQUIREMENTS

- A. Installations where water is anticipated for human consumption, all pipes, pipe fittings, plumbing fittings and fixtures shall be Lead Free as given in PART 1 above.

3.4 PIPING SYSTEMS - COMMON REQUIREMENTS

- A. Install piping according to the following requirements and Division 22 Sections specifying piping systems.
- B. Drawing plans, schematics, and diagrams indicate general location and arrangement of piping systems. Indicated locations and arrangements were used to size pipe and calculate friction loss, expansion, pump sizing, and other design considerations. Install piping as indicated unless deviations to layout are approved on Coordination Drawings.
- C. Install piping in concealed locations, unless otherwise indicated and except in equipment rooms and service areas.
- D. Install piping indicated to be exposed and piping in equipment rooms and service areas at right angles or parallel to building walls. Diagonal runs are prohibited unless specifically indicated otherwise.
- E. Install piping above accessible ceilings to allow sufficient space for ceiling panel removal.
- F. Install piping to permit valve servicing.
- G. Install piping at indicated slopes.
- H. Install piping free of sags and bends.
- I. Install fittings for changes in direction and branch connections.

- J. Install piping to allow application of insulation.
- K. Select system components with pressure rating equal to or greater than system operating pressure.
- L. Install escutcheons for penetrations of walls, ceilings, and floors according to the following:
 - 1. New Piping:
 - a. Piping with Fitting or Sleeve Protruding from Wall: One-piece, deep-pattern type.
 - b. Chrome-Plated Piping: One-piece, cast-brass type with polished chrome-plated finish.
 - c. Insulated Piping: One-piece, stamped-steel type with spring clips.
 - d. Bare Piping at Wall and Floor Penetrations in Finished Spaces: One-piece, cast-brass type with polished chrome-plated finish.
 - e. Bare Piping at Wall and Floor Penetrations in Finished Spaces: One-piece, stamped-steel type.
 - f. Bare Piping at Floor Penetrations in Equipment Rooms: One-piece, floor-plate type.
 - 2. Existing Piping: Use the following:
 - a. Chrome-Plated Piping: Split-casting, cast-brass type with chrome-plated finish.
 - b. Bare Piping at Wall and Floor Penetrations in Finished Spaces: Split-casting, cast-brass type with chrome-plated finish.
 - c. Bare Piping at Wall and Floor Penetrations in Finished Spaces: Split-plate, stamped-steel type with concealed hinge and spring clips.
 - d. Bare Piping at Ceiling Penetrations in Finished Spaces: Split-casting, cast-brass type with chrome-plated finish.
 - e. Bare Piping at Ceiling Penetrations in Finished Spaces: Split-plate, stamped-steel type with concealed hinge and set screw.
 - f. Bare Piping in Equipment Rooms: Split-casting, cast-brass type.
 - g. Bare Piping in Equipment Rooms: Split-plate, stamped-steel type with set screw or spring clips.
 - h. Bare Piping at Floor Penetrations in Equipment Rooms: Split-casting, floor-plate type.
- M. Sleeves are not required for core-drilled holes.
- N. Permanent sleeves are not required for holes formed by removable PE sleeves.
- O. Install sleeves for pipes passing through concrete and masonry walls and concrete floor and roof slabs.
- P. Install sleeves for pipes passing through concrete and masonry walls, gypsum-board partitions, and concrete floor and roof slabs.
 - 1. Cut sleeves to length for mounting flush with both surfaces.

- a. Exception: Extend sleeves installed in floors of mechanical equipment areas or other wet areas 2 inches above finished floor level. Extend cast-iron sleeve fittings below floor slab as required to secure clamping ring if ring is specified.
 2. Install sleeves in new walls and slabs as new walls and slabs are constructed.
 3. Install sleeves that are large enough to provide 1/4-inch annular clear space between sleeve and pipe or pipe insulation. Use the following sleeve materials:
 - a. Steel Pipe Sleeves: For pipes smaller than NPS 6.
 - b. Steel Sheet Sleeves: For pipes NPS 6 and larger, penetrating gypsum-board partitions.
 - c. Stack Sleeve Fittings: For pipes penetrating floors with membrane waterproofing. Secure flashing between clamping flanges. Install section of cast-iron soil pipe to extend sleeve to 2 inches above finished floor level. Refer to Division 07 Section "Sheet Metal Flashing and Trim" for flashing.
 - 1) Seal space outside of sleeve fittings with grout.
 4. Except for underground wall penetrations, seal annular space between sleeve and pipe or pipe insulation, using joint sealants appropriate for size, depth, and location of joint. Refer to Division 07 Section "Joint Sealants" for materials and installation.
- Q. Aboveground, Exterior-Wall Pipe Penetrations: Seal penetrations using sleeves and mechanical sleeve seals. Select sleeve size to allow for 1-inch annular clear space between pipe and sleeve for installing mechanical sleeve seals.
1. Install steel pipe for sleeves smaller than 6 inches in diameter.
 2. Install cast-iron "wall pipes" for sleeves 6 inches and larger in diameter.
 3. Mechanical Sleeve Seal Installation: Select type and number of sealing elements required for pipe material and size. Position pipe in center of sleeve. Assemble mechanical sleeve seals and install in annular space between pipe and sleeve. Tighten bolts against pressure plates that cause sealing elements to expand and make watertight seal.
- R. Underground, Exterior-Wall Pipe Penetrations: Install cast-iron "wall pipes" for sleeves. Seal pipe penetrations using mechanical sleeve seals. Select sleeve size to allow for 1-inch annular clear space between pipe and sleeve for installing mechanical sleeve seals.
1. Mechanical Sleeve Seal Installation: Select type and number of sealing elements required for pipe material and size. Position pipe in center of sleeve. Assemble mechanical sleeve seals and install in annular space between pipe and sleeve. Tighten bolts against pressure plates that cause sealing elements to expand and make watertight seal.
- S. Fire-Barrier Penetrations: Maintain indicated fire rating of walls, partitions, ceilings, and floors at pipe penetrations. Seal pipe penetrations with firestop materials. Refer to Division 07 Section "Penetration Firestopping" for materials.
- T. Verify final equipment locations for roughing-in.

- U. Refer to equipment specifications in other Sections of these Specifications for roughing-in requirements.

3.5 PIPING JOINT CONSTRUCTION

- A. Join pipe and fittings according to the following requirements and Division 22 Sections specifying piping systems.
- B. Ream ends of pipes and tubes and remove burrs. Bevel plain ends of steel pipe.
- C. Remove scale, slag, dirt, and debris from inside and outside of pipe and fittings before assembly.
- D. Soldered Joints: Apply ASTM B 813, water-flushable flux, unless otherwise indicated, to tube end. Construct joints according to ASTM B 828 or CDA's "Copper Tube Handbook," using lead-free solder alloy complying with ASTM B 32.
- E. Brazed Joints: Construct joints according to AWS's "Brazing Handbook," "Pipe and Tube" Chapter, using copper-phosphorus brazing filler metal complying with AWS A5.8.
- F. Threaded Joints: Thread pipe with tapered pipe threads according to ASME B1.20.1. Cut threads full and clean using sharp dies. Ream threaded pipe ends to remove burrs and restore full ID. Join pipe fittings and valves as follows:
 - 1. Apply appropriate tape or thread compound to external pipe threads unless dry seal threading is specified.
 - 2. Damaged Threads: Do not use pipe or pipe fittings with threads that are corroded or damaged. Do not use pipe sections that have cracked or open welds.
- G. Welded Joints: Construct joints according to AWS D10.12, using qualified processes and welding operators according to Part 1 "Quality Assurance" Article.
- H. Flanged Joints: Select appropriate gasket material, size, type, and thickness for service application. Install gasket concentrically positioned. Use suitable lubricants on bolt threads.
- I. PE Piping Heat-Fusion Joints: Clean and dry joining surfaces by wiping with clean cloth or paper towels. Join according to ASTM D 2657.
 - 1. Plain-End Pipe and Fittings: Use butt fusion.
 - 2. Plain-End Pipe and Socket Fittings: Use socket fusion.
- J. Fiberglass Bonded Joints: Prepare pipe ends and fittings, apply adhesive, and join according to pipe manufacturer's written instructions.

3.6 PIPING CONNECTIONS

- A. Make connections according to the following, unless otherwise indicated:

1. Install unions, in piping NPS 2 and smaller, adjacent to each valve and at final connection to each piece of equipment.
2. Install flanges, in piping NPS 2-1/2 and larger, adjacent to flanged valves and at final connection to each piece of equipment.
3. Dry Piping Systems: Install dielectric unions and flanges to connect piping materials of dissimilar metals.
4. Wet Piping Systems: Install dielectric coupling and nipple fittings to connect piping materials of dissimilar metals.

3.7 EQUIPMENT INSTALLATION - COMMON REQUIREMENTS

- A. Install equipment to allow maximum possible headroom unless specific mounting heights are not indicated.
- B. Install equipment level and plumb, parallel and perpendicular to other building systems and components in exposed interior spaces, unless otherwise indicated.
- C. Install plumbing equipment to facilitate service, maintenance, and repair or replacement of components. Connect equipment for ease of disconnecting, with minimum interference to other installations. Extend grease fittings to accessible locations.
- D. Install equipment to allow right of way for piping installed at required slope.

3.8 PAINTING

- A. Painting of plumbing systems, equipment, and components is specified in Division 09 Sections "Interior Painting" and "Exterior Painting."
- B. Damage and Touchup: Repair marred and damaged factory-painted finishes with materials and procedures to match original factory finish.

3.9 CONCRETE BASES

- A. Concrete Bases: Anchor equipment to concrete base according to equipment manufacturer's written instructions and according to seismic codes at Project.
 1. Construct concrete bases of dimensions indicated, but not less than 4 inches larger in both directions than supported unit.
 2. Install dowel rods to connect concrete base to concrete floor. Unless otherwise indicated, install dowel rods on 18-inch centers around the full perimeter of the base.
 3. Install epoxy-coated anchor bolts for supported equipment that extend through concrete base, and anchor into structural concrete floor.
 4. Place and secure anchorage devices. Use supported equipment manufacturer's setting drawings, templates, diagrams, instructions, and directions furnished with items to be embedded.
 5. Install anchor bolts to elevations required for proper attachment to supported equipment.

6. Install anchor bolts according to anchor-bolt manufacturer's written instructions.

3.10 ERECTION OF METAL SUPPORTS AND ANCHORAGES

- A. Refer to Division 05 Section "Metal Fabrications" for structural steel.
- B. Cut, fit, and place miscellaneous metal supports accurately in location, alignment, and elevation to support and anchor plumbing materials and equipment.
- C. Field Welding: Comply with AWS D1.1.

3.11 ERECTION OF WOOD SUPPORTS AND ANCHORAGES

- A. Cut, fit, and place wood grounds, nailers, blocking, and anchorages to support, and anchor plumbing materials and equipment.
- B. Select fastener sizes that will not penetrate members if opposite side will be exposed to view or will receive finish materials. Tighten connections between members. Install fasteners without splitting wood members.
- C. Attach to substrates as required to support applied loads.

3.12 GROUTING

- A. Mix and install grout for plumbing equipment base bearing surfaces, pump and other equipment base plates, and anchors.
- B. Clean surfaces that will come into contact with grout.
- C. Provide forms as required for placement of grout.
- D. Avoid air entrapment during placement of grout.
- E. Place grout, completely filling equipment bases.
- F. Place grout on concrete bases and provide smooth bearing surface for equipment.
- G. Place grout around anchors.
- H. Cure placed grout.

END OF SECTION

THIS PAGE INTENTIONALLY BLANK

SECTION 22 05 13 - COMMON MOTOR REQUIREMENTS FOR PLUMBING EQUIPMENT

PART 1 - GENERAL

1.1 RELATED DOCUMENTS

- A. Drawings and general provisions of the Contract, including General and Supplementary Conditions and Division 01 Specification Sections, apply to this Section.

1.2 SUMMARY

- A. Section includes general requirements for single-phase and polyphase, general-purpose, horizontal, small and medium, squirrel-cage induction motors for use on ac power systems up to **600 V** and installed at equipment manufacturer's factory or shipped separately by equipment manufacturer for field installation.

1.3 COORDINATION

- A. Coordinate features of motors, installed units, and accessory devices to be compatible with the following:
 - 1. Motor controllers.
 - 2. Torque, speed, and horsepower requirements of the load.
 - 3. Ratings and characteristics of supply circuit and required control sequence.
 - 4. Ambient and environmental conditions of installation location.

PART 2 - PRODUCTS

2.1 GENERAL MOTOR REQUIREMENTS

- A. Comply with requirements in this Section except when the requirements in plumbing equipment schedules, other specification sections, drawing notes or in other contract documents are more stringent.
- B. Comply with **NEMA MG 1** unless otherwise indicated.
- C. Comply with **IEEE 841** for severe-duty motors.

2.2 MOTOR CHARACTERISTICS

- A. Duty: Continuous duty at ambient temperature of and at altitude of **3300 feet** above sea level.

- B. Capacity and Torque Characteristics: Sufficient to start, accelerate, and operate connected loads at designated speeds, at installed altitude and environment, with indicated operating sequence, and without exceeding nameplate ratings or considering service factor.

2.3 POLYPHASE MOTORS

- A. Description: **NEMA MG 1, Design B**, medium induction motor.
- B. Efficiency: Energy efficient, as defined in **NEMA MG 1**.
- C. Service Factor: **1.15**.
- D. Rotor: Random-wound, squirrel cage.
- E. Bearings: Regreasable, shielded, antifriction ball bearings suitable for radial and thrust loading.
- F. Temperature Rise: Match insulation rating.
- G. Insulation: **Class F**.
- H. Code Letter Designation:
 - 1. Motors **15 HP** and Larger: NEMA starting Code F or Code G.
 - 2. Motors smaller than **15 HP**: Manufacturer's standard starting characteristic.
- I. Enclosure Material: Cast iron for motor frame sizes **324T** and larger; rolled steel for motor frame sizes smaller than **324T**.

2.4 POLYPHASE MOTORS WITH ADDITIONAL REQUIREMENTS

- A. Motors Used with Reduced-Voltage and Multispeed Controllers: Match wiring connection requirements for controller with required motor leads. Provide terminals in motor terminal box, suited to control method.

2.5 Electronically Commutated Motor (ECM)

- 1. Motor enclosures: Open type
- 2. Motor to be a DC electronic commutation type motor (ECM).
 - a. AC induction type motors are not acceptable.
- 3. Permanently lubricated motor with heavy duty ball bearing
- 4. Internal motor circuitry to convert AC power supplied to the fan to DC power to operate the motor.
- 5. Speed controllable to 20% of full speed (80% turndown).
 - a. Potentiometer dial mounted at the motor speed controller
 - b. 0-10 VDC signal.
- 6. 85% efficient at all speeds minimum.
- 7. Motors smaller than 2.0 hp.

2.6 SINGLE-PHASE MOTORS

- A. Motors larger than **1/20** hp shall be one of the following, to suit starting torque and requirements of specific motor application:
 - 1. Permanent-split capacitor.
 - 2. Split phase.
 - 3. Capacitor start, inductor run.
 - 4. Capacitor start, capacitor run.
- B. Multispeed Motors: Variable-torque, permanent-split-capacitor type.
- C. Bearings: Prelubricated, antifriction ball bearings or sleeve bearings suitable for radial and thrust loading.
- D. Motors **1/20 HP** and Smaller: Shaded-pole type.
- E. Thermal Protection: Internal protection to automatically open power supply circuit to motor when winding temperature exceeds a safe value calibrated to temperature rating of motor insulation. Thermal-protection device shall automatically reset when motor temperature returns to normal range.

PART 3 - EXECUTION (Not Applicable)

END OF SECTION

THIS PAGE INTENTIONALLY BLANK

SECTION 22 05 16 - EXPANSION FITTINGS AND LOOPS FOR PLUMBING PIPING

PART 1 - GENERAL

1.1 SUMMARY

A. Section Includes:

1. Metal-bellows packless expansion joints.
2. Pipe loops and swing connections.
3. Alignment guides and anchors.

1.2 SEISMIC REQUIREMENTS

A. Component Importance Factor. All plumbing components shall be assigned a component importance factor. The component importance factor, I_p , shall be taken as 1.5 if any of the following conditions apply:

1. The component is required to function for life-safety purposes after an earthquake.
2. The component contains hazardous materials.
3. The component is in or attached to an Occupancy Category IV structure and it is needed for continued operation of the facility or its failure could impair the continued operation of the facility.

B. All other components shall be assigned a component importance factor, I_p , equal to 1.0.

C. Seismic Performance: Plumbing equipment, hangers and supports shall withstand the effects of earthquake motions determined according to SEI/ASCE 7 and with the requirements specified in Section 220548 "Vibration and Seismic Controls for Plumbing Piping and Equipment.

1. For components with a seismic importance factor of 1.0 the term "withstand" means "the system will remain in place without separation of any parts when subjected to the seismic forces specified."
2. For components with a seismic importance factor of 1.5 the term "withstand" means "the system will remain in place without separation of any parts when subjected to the seismic forces specified and the system will be fully operational after the seismic event."

1.3 ACTION SUBMITTALS

A. Product Data: For each type of product indicated.

B. Delegated-Design Submittal: For each anchor and alignment guide indicated to comply with performance requirements and design criteria, including analysis data

signed and sealed by the qualified professional engineer responsible for their preparation.

1. Design Calculations: Calculate requirements for thermal expansion of piping systems and for selecting and designing expansion joints, loops, and swing connections.
2. Anchor Details: Detail fabrication of each anchor indicated. Show dimensions and methods of assembly and attachment to building structure.
3. Alignment Guide Details: Detail field assembly and attachment to building structure.
4. Schedule: Indicate type, manufacturer's number, size, material, pressure rating, end connections, and location for each expansion joint.
1. Seismic calculations and detailed analysis: Indicate fabrication and arrangement. Detail attachments of restraints to the restrained items and to the structure. Show attachment locations, methods, and spacings. Identify components, list their strengths, and indicate directions and values of forces transmitted to the structure during seismic events. Indicate association with vibration isolation devices. Project specific design documentation and calculations shall be prepared and stamped by a registered professional engineer who is responsible for the seismic restraint design and who is licensed in the state where the project is being constructed (ASCE 7, 13.2.1.1).

1.4 INFORMATIONAL SUBMITTALS

- A. Welding certificates.
- B. Product certificates.

1.5 CLOSEOUT SUBMITTALS

- A. Maintenance data.

1.6 QUALITY ASSURANCE

- A. Welding Qualifications: Qualify procedures and personnel according to the following:
 1. AWS D1.1/D1.1M, "Structural Welding Code - Steel."
 2. ASME Boiler and Pressure Vessel Code: Section IX.

PART 2 - PRODUCTS

2.1 PACKLESS EXPANSION JOINTS

- A. Metal-Bellows Packless Expansion Joints:
 1. Manufacturers: Subject to compliance with requirements, provide products by one of the following:

- a. Expansion Joint Systems, Inc.
 - b. Flex-Hose Co., Inc.
 - c. Flexicraft Industries.
 - d. Flex Pression Ltd.
 - e. Flo Fab inc.
 - f. Hyspan Precision Products, Inc.
 - g. Metraflex, Inc.
 - h. Tozen Corporation.
 - i. Unaflex.
 - j. Unisource Manufacturing, Inc.
 - k. Universal Metal Hose; a subsidiary of Hyspan Precision Products, Inc.
 - l. U.S. Bellows, Inc.
2. Standards: ASTM F 1120 and EJMA's "Standards of the Expansion Joint Manufacturers Association, Inc."
 3. Type: Circular, corrugated bellows with external tie rods.
 4. Minimum Pressure Rating: 175 psi unless otherwise indicated.
 5. Configuration: double joint with base class(es) unless otherwise indicated.
 6. Expansion Joints for Copper Tubing: Single- or multi-ply phosphor-bronze bellows, copper pipe ends, and brass shrouds.
 - a. End Connections for Copper Tubing NPS 2 and Smaller: Solder joint or threaded.
 - b. End Connections for Copper Tubing NPS 2-1/2 to NPS 8: Solder joint or threaded or flanged.

2.2 ALIGNMENT GUIDES AND ANCHORS

A. Alignment Guides:

1. Description: Steel, factory-fabricated alignment guide, with bolted two-section outer cylinder and base for attaching to structure; with two-section guiding spider for bolting to pipe.

B. Anchor Materials:

1. Steel Shapes and Plates: ASTM A 36/A 36M.
2. Bolts and Nuts: ASME B18.10 or ASTM A 183, steel hex head.
3. Washers: ASTM F 844, steel, plain, flat washers.
4. Mechanical Fasteners: Insert-wedge-type stud with expansion plug anchor for use in hardened portland cement concrete, with tension and shear capacities appropriate for application.
 - a. Stud: Threaded, zinc-coated carbon steel.
 - b. Expansion Plug: Zinc-coated steel.
 - c. Washer and Nut: Zinc-coated steel.

5. Chemical Fasteners: Insert-type-stud, bonding-system anchor for use with hardened portland cement concrete, with tension and shear capacities appropriate for application.
 - a. Bonding Material: ASTM C 881/C 881M, Type IV, Grade 3, two-component epoxy resin suitable for surface temperature of hardened concrete where fastener is to be installed.
 - b. Stud: ASTM A 307, zinc-coated carbon steel with continuous thread on stud unless otherwise indicated.
 - c. Washer and Nut: Zinc-coated steel.

PART 3 - EXECUTION

3.1 HANGER AND SUPPORT INSTALLATION

- A. Comply with SEI/ASCE 7 and with requirements for seismic-restraint devices in Section 220548 "Vibration and Seismic Controls for Plumbing Piping and Equipment."

3.2 EXPANSION-JOINT INSTALLATION

- A. Install expansion joints of sizes matching sizes of piping in which they are installed.
- B. Install metal-bellows expansion joints according to EJMA's "Standards of the Expansion Joint Manufacturers Association, Inc."

3.3 PIPE LOOP AND SWING CONNECTION INSTALLATION

- A. Install pipe loops cold-sprung in tension or compression as required to partly absorb tension or compression produced during anticipated change in temperature.
- B. Connect risers and branch connections to mains with at least five pipe fittings including tee in main.
- C. Connect risers and branch connections to terminal units with at least four pipe fittings including tee in riser.
- D. Connect mains and branch connections to terminal units with at least four pipe fittings including tee in main.

3.4 ALIGNMENT-GUIDE AND ANCHOR INSTALLATION

- A. Install alignment guides to guide expansion and to avoid end-loading and torsional stress.
- B. Install guide(s) on each side of pipe expansion fittings and loops. Install guides nearest to expansion joint not more than four pipe diameters from expansion joint.

- C. Attach guides to pipe and secure guides to building structure.
- D. Install anchors at locations to prevent stresses from exceeding those permitted by ASME B31.9 and to prevent transfer of loading and stresses to connected equipment.
- E. Anchor Attachments:
 - 1. Anchor Attachment to Black-Steel Pipe: Attach by welding. Comply with ASME B31.9 and ASME Boiler and Pressure Vessel Code: Section IX, "Welding and Brazing Qualifications."
 - 2. Anchor Attachment to Galvanized-Steel Pipe: Attach with pipe hangers. Use MSS SP-69, Type 42, riser clamp welded to anchor.
 - 3. Anchor Attachment to Copper Tubing: Attach with pipe hangers. Use MSS SP-69, Type 24, U-bolts bolted to anchor.
- F. Fabricate and install steel anchors by welding steel shapes, plates, and bars. Comply with ASME B31.9 and AWS D1.1/D1.1M.
 - 1. Anchor Attachment to Steel Structural Members: Attach by welding.
 - 2. Anchor Attachment to Concrete Structural Members: Attach by fasteners. Follow fastener manufacturer's written instructions.
- G. Use grout to form flat bearing surfaces for guides and anchors attached to concrete.

END OF SECTION

THIS PAGE INTENTIONALLY LEFT BLANK

SECTION 22 05 17 - SLEEVES AND SLEEVE SEALS FOR PLUMBING PIPING

PART 1 - GENERAL

1.1 RELATED DOCUMENTS

- A. Drawings and general provisions of the Contract, including General and Supplementary Conditions and Division 01 Specification Sections, apply to this Section.

1.2 SUMMARY

- A. Section Includes:
 - 1. Sleeves.
 - 2. Sleeve-seal systems.
 - 3. Grout.

1.3 ACTION SUBMITTALS

- A. Product Data: For each type of product indicated.

PART 2 - PRODUCTS

2.1 SLEEVES

- A. Cast-Iron Wall Pipes: Cast or fabricated of cast or ductile iron and equivalent to ductile-iron pressure pipe, with plain ends and integral waterstop unless otherwise indicated.
- B. Galvanized-Steel Wall Pipes: ASTM A 53, Schedule 40, with plain ends and welded steel collar; zinc coated.
- C. Galvanized-Steel-Pipe Sleeves: ASTM A 53, Type E, Grade B, Schedule 40, zinc coated, with plain ends.
- D. PVC-Pipe Sleeves: ASTM D 1785, Schedule 40.
- E. Galvanized-Steel-Sheet Sleeves: 0.0239-inch minimum thickness; round tube closed with welded longitudinal joint.

2.2 SLEEVE-SEAL SYSTEMS

- A. Manufacturers: Subject to compliance with requirements, provide products by one of the following:

1. Advance Products & Systems, Inc.
 2. CALPICO, Inc.
 3. Link-Seal
 4. Metraflex Company (The).
 5. Pipeline Seal and Insulator, Inc.
 6. Proco Products, Inc.
- B. Description: Modular sealing-element unit, designed for field assembly, for filling annular space between piping and sleeve.
1. Sealing Elements: **EPDM-rubber** interlocking links shaped to fit surface of pipe. Include type and number required for pipe material and size of pipe.
 2. Pressure Plates: **Carbon steel**
 3. Connecting Bolts and Nuts: **Carbon steel, with corrosion-resistant coating**, of length required to secure pressure plates to sealing elements.

2.3 GROUT

- A. Standard: ASTM C 1107, Grade B, post-hardening and volume-adjusting, dry, hydraulic-cement grout.
- B. Characteristics: Nonshrink; recommended for interior and exterior applications.
- C. Design Mix: **5000-psi, 28-day** compressive strength.
- D. Packaging: Premixed and factory packaged.

PART 3 - EXECUTION

3.1 SLEEVE INSTALLATION

- A. Install sleeves for piping passing through penetrations in floors, partitions, roofs, and walls.
- B. For sleeves that will have sleeve-seal system installed, select sleeves of size large enough to provide **1-inch** annular clear space between piping and concrete slabs and walls.
 1. Sleeves are not required for core-drilled holes.
- C. Install sleeves in concrete floors, concrete roof slabs, and concrete walls as new slabs and walls are constructed.
 1. Permanent sleeves are not required for holes in slabs formed by molded-PE or -PP sleeves.
 2. Cut sleeves to length for mounting flush with both surfaces.
 - a. Exception: Extend sleeves installed in floors of mechanical equipment areas or other wet areas **2 inches** above finished floor level.

3. Using grout, seal the space outside of sleeves in slabs and walls without sleeve-seal system.
- D. Install sleeves for pipes passing through interior partitions.
1. Cut sleeves to length for mounting flush with both surfaces.
 2. Install sleeves that are large enough to provide **1/4-inch** annular clear space between sleeve and pipe or pipe insulation.
 3. Seal annular space between sleeve and piping or piping insulation; use joint sealants appropriate for size, depth, and location of joint. Comply with requirements for sealants specified in Division 07 Section "Joint Sealants."
- E. Fire-Barrier Penetrations: Maintain indicated fire rating of walls, partitions, ceilings, and floors at pipe penetrations. Seal pipe penetrations with firestop materials. Comply with requirements for firestopping specified in Division 07 Section "Penetration Firestopping."

3.2 SLEEVE-SEAL-SYSTEM INSTALLATION

- A. Install sleeve-seal systems in sleeves in exterior concrete walls and slabs-on-grade at service piping entries into building.
- B. Select type, size, and number of sealing elements required for piping material and size and for sleeve ID or hole size. Position piping in center of sleeve. Center piping in penetration, assemble sleeve-seal system components, and install in annular space between piping and sleeve. Tighten bolts against pressure plates that cause sealing elements to expand and make a watertight seal.

3.3 SLEEVE AND SLEEVE-SEAL SCHEDULE

- A. Use sleeves and sleeve seals for the following piping-penetration applications:
1. Exterior Concrete Walls above Grade:
 - a. Piping Smaller Than **NPS 6**: **Cast-iron wall sleeves.**
 - b. Piping **NPS 6** and Larger: **Cast-iron wall sleeves.**
 2. Exterior Concrete Walls below Grade:
 - a. Piping Smaller Than **NPS 6**: **Cast-iron wall sleeves with sleeve-seal system.**
 - 1) Select sleeve size to allow for **1-inch** annular clear space between piping and sleeve for installing sleeve-seal system.
 - b. Piping **NPS 6** and Larger: **Cast-iron wall sleeves with sleeve-seal system.**
 - 1) Select sleeve size to allow for **1-inch** annular clear space between piping and sleeve for installing sleeve-seal system.
 3. Concrete Slabs above Grade:

- a. Piping Smaller Than **NPS 6**: **Galvanized-steel-pipe sleeves** .
 - b. Piping **NPS 6** and Larger: **Galvanized-steel-pipe sleeves**.
4. Interior Partitions:
- a. Piping Smaller Than **NPS 6**: **Galvanized-steel-pipe sleeves**.
 - b. Piping **NPS 6** and Larger: Galvanized-steel-sheet sleeves.

END OF SECTION

SECTION 22 05 19 - METERS AND GAUGES FOR PLUMBING PIPING

PART 1 - GENERAL

1.1 SUMMARY

- A. Section Includes:
 - 1. Bimetallic-actuated thermometers.
 - 2. Liquid-in-glass thermometers.
 - 3. Thermowells.
 - 4. Dial-type pressure gages.
 - 5. Gage attachments.

1.2 ACTION SUBMITTALS

- A. Product Data: For each type of product indicated.

1.3 INFORMATIONAL SUBMITTALS

- A. Product certificates.

1.4 CLOSEOUT SUBMITTALS

- A. Operation and maintenance data.

PART 2 - PRODUCTS

2.1 BIMETALLIC-ACTUATED THERMOMETERS

- A. Manufacturers: Subject to compliance with requirements, provide products by one of the following:
 - 1. Ashcroft Inc.
 - 2. Ernst Flow Industries.
 - 3. Marsh Bellofram.
 - 4. Miljoco Corporation.
 - 5. Nanmac Corporation.
 - 6. Noshok.
 - 7. Palmer Wahl Instrumentation Group.
 - 8. REOTEMP Instrument Corporation.
 - 9. Tel-Tru Manufacturing Company.
 - 10. Terice, H. O. Co.
 - 11. Watts Regulator Co.; a div. of Watts Water Technologies, Inc.
 - 12. Weiss Instruments, Inc.

13. WIKA Instrument Corporation - USA.
 14. Winters Instruments - U.S.
 15. Weksler
- B. Standard: ASME B40.200.
- C. Case: Liquid-filled and sealed type(s); stainless steel with 5 inch nominal diameter.
- D. Dial: Nonreflective aluminum with permanently etched scale markings and scales in deg F and deg C.
- E. Connector Type(s): Union joint, adjustable angle, with unified-inch screw threads.
- F. Connector Size: 1/2 inch, with ASME B1.1 screw threads.
- G. Stem: 0.25 or 0.375 inch in diameter; stainless steel.
- H. Window: Plain glass or plastic.
- I. Ring: Stainless steel.
- J. Element: Bimetal coil.
- K. Pointer: Dark-colored metal.
- L. Accuracy: Plus or minus 1 percent of scale range.

2.2 LIQUID-IN-GLASS THERMOMETERS

- A. Metal-Case, Industrial-Style, Liquid-in-Glass Thermometers:
1. Manufacturers: Subject to compliance with requirements, provide products by one of the following
 - a. Flo Fab Inc.
 - b. Miljoco Corporation.
 - c. Palmer Wahl Instrumentation Group.
 - d. Tel-Tru Manufacturing Company.
 - e. Trerice, H. O. Co.
 - f. Weiss Instruments, Inc.
 - g. Winters Instruments - U.S.
 - h. Weksler
 2. Standard: ASME B40.200.
 3. Case: Cast aluminum 7-inch nominal size unless otherwise indicated.
 4. Case Form: Adjustable angle unless otherwise indicated.
 5. Tube: Glass with magnifying lens and blue or red organic liquid.
 6. Tube Background: Nonreflective aluminum with permanently etched scale markings graduated in deg F and deg C.
 7. Window: Glass or plastic.
 8. Stem: Aluminum and of length to suit installation.

- a. Design for Thermowell Installation: Bare stem.
9. Connector: 1-1/4 inches, with ASME B1.1 screw threads.
10. Accuracy: Plus or minus 1 percent of scale range or one scale division, to a maximum of 1.5 percent of scale range.

2.3 THERMOWELLS

A. Thermowells:

1. Standard: ASME B40.200.
2. Description: Pressure-tight, socket-type fitting made for insertion into piping tee fitting.
3. Material for Use with Copper Tubing: CNR or CUNI.
4. Material for Use with Steel Piping: CRES.
5. Type: Stepped shank unless straight or tapered shank is indicated.
6. External Threads: NPS 1/2, ASME B1.20.1 pipe threads.
7. Internal Threads: 1/2, with ASME B1.1 screw threads.
8. Bore: Diameter required to match thermometer bulb or stem.
9. Insertion Length: Length required to match thermometer bulb or stem.
10. Lagging Extension: Include on thermowells for insulated piping and tubing.
11. Bushings: For converting size of thermowell's internal screw thread to size of thermometer connection.

B. Heat-Transfer Medium: Mixture of graphite and glycerin.

C. Description: Pressure-tight, socket-type metal fitting made for insertion into piping and of type, diameter, and length required to hold thermometer.

2.4 PRESSURE GAGES

A. Direct-Mounted, Metal-Case, Dial-Type Pressure Gages:

1. Manufacturers: Subject to compliance with requirements, provide products by one of the following
 - a. AMETEK, Inc.; U.S. Gauge.
 - b. Ashcroft Inc.
 - c. Ernst Flow Industries.
 - d. Flo Fab Inc.
 - e. Marsh Bellofram.
 - f. Miljoco Corporation.
 - g. Noshok.
 - h. Palmer Wahl Instrumentation Group.
 - i. REOTEMP Instrument Corporation.
 - j. Tel-Tru Manufacturing Company.
 - k. Trerice, H. O. Co.
 - l. Watts Regulator Co.; a div. of Watts Water Technologies, Inc.
 - m. Weiss Instruments, Inc.

- n. WIKA Instrument Corporation - USA.
 - o. Winters Instruments - U.S.
 - p. Weksler
2. Standard: ASME B40.100.
 3. Case: Liquid-filled Open-front, pressure relief type(s); cast aluminum or drawn steel; 4-1/2-inch nominal diameter.
 4. Pressure-Element Assembly: Bourdon tube unless otherwise indicated.
 5. Pressure Connection: Brass, with NPS 1/4 or NPS 1/2, ASME B1.20.1 pipe threads and bottom-outlet type unless back-outlet type is indicated.
 6. Movement: Mechanical, with link to pressure element and connection to pointer.
 7. Dial: Nonreflective aluminum with permanently etched scale markings graduated in psi and kPa.
 8. Pointer: Dark-colored metal.
 9. Window: Glass or plastic.
 10. Ring: Metal or Brass.
 11. Accuracy: Grade A, plus or minus 1 percent of middle half of scale range.

2.5 GAGE ATTACH TEST PLUGS

- A. Manufacturers: Subject to compliance with requirements, provide products by one of the following:
 1. Flow Design, Inc.
 2. MG Piping Products Co.
 3. National Meter, Inc.
 4. Peterson Equipment Co., Inc.
 5. Sisco Manufacturing Co.
 6. Trerice, H. O. Co.
 7. Weksler.
 8. Watts Industries, Inc.; Water Products Div.
- B. Description: Corrosion-resistant brass or stainless-steel body with core inserts and gasketed and threaded cap, with extended stem for units to be installed in insulated piping.
- C. Minimum Pressure and Temperature Rating: 500 psig at 200 deg F.
- D. Core Inserts: One or two self-sealing rubber valves.
 1. Insert material for water service at 20 to 200 deg F shall be CR.
 2. Insert material for water service at minus 30 to plus 275 deg F shall be EPDM.
- E. Test Kit: Furnish one test kit(s) containing one pressure gage and adaptor, one thermometer, and carrying case. Pressure gage, adapter probes, and thermometer sensing elements shall be of diameter to fit test plugs and of length to project into piping.

1. Pressure Gage: Small bourdon-tube insertion type with 2- to 3-inch- diameter dial and probe. Dial range shall be 0 to 200 psig.
2. Low-Range Thermometer: Small bimetallic insertion type with 1- to 2-inch-diameter dial and tapered-end sensing element. Dial ranges shall be 25 to 125 deg F.
3. High-Range Thermometer: Small bimetallic insertion type with 1- to 2-inch-diameter dial and tapered-end sensing element. Dial ranges shall be 0 to 220 deg F.
4. Carrying case shall have formed instrument padding.

2.6 ATTACHMENTS

- A. Snubbers: ASME B40.100, brass; with NPS 1/4 or NPS 1/2, ASME B1.20.1 pipe threads and piston porous-metal-type surge-dampening device. Include extension for use on insulated piping.
- B. Valves: Brass or stainless-steel needle, with NPS 1/4 or NPS 1/2, ASME B1.20.1 pipe threads.

PART 3 - EXECUTION

3.1 INSTALLATION

- A. Install thermowells with socket extending a minimum of 2 inches into fluid one-third of pipe diameter to center of pipe and in vertical position in piping tees.
- B. Install thermowells of sizes required to match thermometer connectors. Include bushings if required to match sizes.
- C. Install thermowells with extension on insulated piping.
- D. Fill thermowells with heat-transfer medium.
- E. Install direct-mounted thermometers in thermowells and adjust vertical and tilted positions.
- F. Install direct-mounted pressure gages in piping tees with pressure gage located on pipe at the most readable position.
- G. Install valve and snubber in piping for each pressure gage for fluids.
- H. Install thermometers in the following locations:
 1. Inlet and outlet of each water heater.
 2. Inlets and outlets of each domestic water heat exchanger.
 3. Inlet and outlet of each domestic hot-water storage tank.
 4. Inlet and outlet of each remote domestic water chiller.
- I. Install pressure gages in the following locations:

1. Building water service entrance into building.
 2. Inlet and outlet of each pressure-reducing valve.
 3. Suction and discharge of each domestic water pump.
- J. Install meters and gages adjacent to machines and equipment to allow service and maintenance of meters, gages, machines, and equipment.
- K. Adjust faces of meters and gages to proper angle for best visibility.
- L. Install remote-mounting dial thermometers on panel, with tubing connecting panel and thermometer bulb supported to prevent kinks. Use minimum tubing length.
- M. Install test plugs in tees in piping.
- N. Install permanent indicator on walls or brackets in accessible and readable positions.

3.2 THERMOMETER SCHEDULE

- A. Thermometers at inlets and outlets of each domestic water heat exchanger shall be one of the following:
1. Liquid-filled Sealed, bimetallic-actuated type.
 2. Industrial-style, liquid-in-glass type.
- B. Thermometer stems shall be of length to match thermowell insertion length.

3.3 THERMOMETER SCALE-RANGE SCHEDULE

- A. Scale Range for Domestic Cold-Water Piping: 0 to 150 deg F and minus 20 to plus 70 deg C.
- B. Scale Range for Domestic Hot-Water Piping: 20 to 240 deg F and 0 to 150 deg C.

3.4 PRESSURE-GAGE SCHEDULE

- A. Pressure gages at discharge of each water service into building shall be one of the following:
1. Liquid-filled Sealed Open-front, pressure-relief, direct-mounted, metal case.
- B. Pressure gages at inlet and outlet of each water pressure-reducing valve shall be one of the following:
1. Liquid-filled Sealed Open-front, pressure-relief, direct mounted, metal case.
- C. Pressure gages at suction and discharge of each domestic water pump shall be one of the following:
1. Liquid-filled Sealed Open-front, pressure-relief, direct-mounted, metal case.

3.5 PRESSURE-GAGE SCALE-RANGE SCHEDULE

- A. Scale Range for Water Service Piping 0 to 160 psi and 0 to 1100 kPa.
- B. Scale Range for Domestic Water Piping: 0 to 160 psi and 0 to 1100 kPa.

END OF SECTION

THIS PAGE INTENTIONALLY LEFT BLANK

SECTION 22 05 23 - GENERAL-DUTY VALVES FOR PLUMBING PIPING

PART 1 - GENERAL

1.1 RELATED DOCUMENTS

- A. Drawings and general provisions of the Contract, including General and Supplementary Conditions and Division 01 Specification Sections, apply to this Section.

1.2 SUMMARY

A. Section Includes:

1. Bronze angle valves.
2. Bronze ball valves.
3. Iron, single-flange butterfly valves.
4. Bronze lift check valves.
5. Bronze swing check valves.
6. Iron swing check valves.
7. Bronze globe valves.
8. Iron globe valves.

B. Related Sections:

1. Division 22 Section "Identification for Plumbing Piping and Equipment" for valve tags and schedules.
2. Division 33 water distribution piping Sections for general-duty and specialty valves for site construction piping.

1.3 DEFINITIONS

- A. CWP: Cold working pressure.
- B. EPDM: Ethylene propylene copolymer rubber.
- C. NBR: Acrylonitrile-butadiene, Buna-N, or nitrile rubber.
- D. NRS: Nonrising stem.
- E. OS&Y: Outside screw and yoke.
- F. RS: Rising stem.
- G. SWP: Steam working pressure.

1.4 SUBMITTALS

- A. Product Data: For each type of valve indicated.

1.5 QUALITY ASSURANCE

- A. Source Limitations for Valves: Obtain each type of valve from single source from single manufacturer.
- B. ASME Compliance:
 - 1. ASME B16.10 and ASME B16.34 for ferrous valve dimensions and design criteria.
 - 2. ASME B31.1 for power piping valves.
 - 3. ASME B31.9 for building services piping valves.
- C. NSF Compliance: NSF 61 for valve materials for potable-water service.

1.6 DELIVERY, STORAGE, AND HANDLING

- A. Prepare valves for shipping as follows:
 - 1. Protect internal parts against rust and corrosion.
 - 2. Protect threads, flange faces, grooves, and weld ends.
 - 3. Set angle, and globe valves closed to prevent rattling.
 - 4. Set ball and plug valves open to minimize exposure of functional surfaces.
 - 5. Set butterfly valves closed or slightly open.
 - 6. Block check valves in either closed or open position.
- B. Use the following precautions during storage:
 - 1. Maintain valve end protection.
 - 2. Store valves indoors and maintain at higher than ambient dew point temperature. If outdoor storage is necessary, store valves off the ground in watertight enclosures.
- C. Use sling to handle large valves; rig sling to avoid damage to exposed parts. Do not use handwheels or stems as lifting or rigging points.

PART 2 - PRODUCTS

2.1 GENERAL REQUIREMENTS FOR VALVES

- A. Refer to valve schedule articles for applications of valves.
- B. Valve Pressure and Temperature Ratings: Not less than indicated and as required for system pressures and temperatures.
- C. Valve Sizes: Same as upstream piping unless otherwise indicated.

D. Valve Actuator Types:

1. Gear Actuator: For quarter-turn valves NPS 8 and larger.
2. Handwheel: For valves other than quarter-turn types.
3. Handlever: For quarter-turn valves NPS 6 and smaller except plug valves.
4. Wrench: For plug valves with square heads. Furnish Owner with 1 wrench for every 5 plug valves, for each size square plug-valve head.

E. Valves in Insulated Piping: With 2-inch stem extensions and the following features:

1. Ball Valves: With extended operating handle of non-thermal-conductive material, and protective sleeve that allows operation of valve without breaking the vapor seal or disturbing insulation.
2. Butterfly Valves: With extended neck.

F. Valve-End Connections:

1. Flanged: With flanges according to ASME B16.1 for iron valves.
2. Solder Joint: With sockets according to ASME B16.18.
3. Threaded: With threads according to ASME B1.20.1.

G. Valve Bypass and Drain Connections: MSS SP-45.

2.2 BRONZE ANGLE VALVES

A. Class 125, Bronze Angle Valves with Bronze Disc:

1. Manufacturers: Subject to compliance with requirements, provide products by one of the following:
 - a. Hammond Valve.
 - b. Milwaukee Valve Company.
2. Description:
 - a. Standard: MSS SP-80, Type 1.
 - b. CWP Rating: 200 psig.
 - c. Body Material: ASTM B 62, bronze with integral seat and screw-in bonnet.
 - d. Ends: Threaded.
 - e. Stem and Disc: Bronze.
 - f. Packing: Asbestos free.
 - g. Handwheel: Malleable iron, bronze, or aluminum.

2.3 BRONZE BALL VALVES

A. Two-Piece, Full-Port, Bronze Ball Valves with Bronze Trim:

1. Manufacturers: Subject to compliance with requirements, provide products by one of the following:
 - a. American Valve, Inc.

- b. Conbraco Industries, Inc.; Apollo Valves.
- c. Crane Co.; Crane Valve Group; Crane Valves.
- d. Hammond Valve.
- e. Lance Valves; a division of Advanced Thermal Systems, Inc.
- f. Milwaukee Valve Company.
- g. NIBCO INC.
- h. Red-White Valve Corporation.
- i. Watts Regulator Co.; a division of Watts Water Technologies, Inc.

2. Description:

- a. Standard: MSS SP-110.
- b. SWP Rating: 150 psig.
- c. CWP Rating: 600 psig.
- d. Body Design: Two piece.
- e. Body Material: Bronze.
- f. Ends: Threaded.
- g. Seats: PTFE or TFE.
- h. Stem: Bronze.
- i. Ball: Chrome-plated brass.
- j. Port: Full.

B. Two-Piece, Full-Port, Bronze Ball Valves with Stainless-Steel Trim:

1. Manufacturers: Subject to compliance with requirements, provide products by one of the following:

- a. Conbraco Industries, Inc.; Apollo Valves.
- b. Crane Co.; Crane Valve Group; Crane Valves.
- c. Hammond Valve.
- d. Lance Valves; a division of Advanced Thermal Systems, Inc.
- e. Milwaukee Valve Company.
- f. NIBCO INC.
- g. Watts Regulator Co.; a division of Watts Water Technologies, Inc.

2. Description:

- a. Standard: MSS SP-110.
- b. SWP Rating: 150 psig.
- c. CWP Rating: 600 psig.
- d. Body Design: Two piece.
- e. Body Material: Bronze.
- f. Ends: Threaded.
- g. Seats: PTFE or TFE.
- h. Stem: Stainless steel.
- i. Ball: Stainless steel, vented.
- j. Port: Full.

C. Three-Piece, Full-Port, Bronze Ball Valves with Bronze Trim:

1. Manufacturers: Subject to compliance with requirements, provide products by one of the following:
 - a. Conbraco Industries, Inc.; Apollo Valves.
 - b. DynaQuip Controls.
 - c. Hammond Valve.
 - d. Milwaukee Valve Company.
 - e. NIBCO INC.
 - f. Red-White Valve Corporation.

2. Description:
 - a. Standard: MSS SP-110.
 - b. SWP Rating: 150 psig.
 - c. CWP Rating: 600 psig.
 - d. Body Design: Three piece.
 - e. Body Material: Bronze.
 - f. Ends: Threaded.
 - g. Seats: PTFE or TFE.
 - h. Stem: Bronze.
 - i. Ball: Chrome-plated brass.
 - j. Port: Full.

D. Three-Piece, Full-Port, Bronze Ball Valves with Stainless-Steel Trim:

1. Manufacturers: Subject to compliance with requirements, provide products by one of the following:
 - a. Conbraco Industries, Inc.; Apollo Valves.
 - b. Hammond Valve.
 - c. Milwaukee Valve Company.
 - d. NIBCO INC.

2. Description:
 - a. Standard: MSS SP-110.
 - b. SWP Rating: 150 psig.
 - c. CWP Rating: 600 psig.
 - d. Body Design: Three piece.
 - e. Body Material: Bronze.
 - f. Ends: Threaded.
 - g. Seats: PTFE or TFE.
 - h. Stem: Stainless steel.
 - i. Ball: Stainless steel, vented.
 - j. Port: Full.

2.4 IRON, SINGLE-FLANGE BUTTERFLY VALVES

- A. 200 CWP, Iron, Single-Flange Butterfly Valves with EPDM Seat and Aluminum-Bronze Disc:

1. Manufacturers: Subject to compliance with requirements, provide products by one of the following:
 - a. ABZ Valve and Controls; a division of ABZ Manufacturing, Inc.
 - b. Conbraco Industries, Inc.; Apollo Valves.
 - c. Cooper Cameron Valves; a division of Cooper Cameron Corporation.
 - d. Crane Co.; Crane Valve Group; Jenkins Valves.
 - e. Crane Co.; Crane Valve Group; Stockham Division.
 - f. DeZurik Water Controls.
 - g. Flo Fab Inc.
 - h. Hammond Valve.
 - i. Kitz Corporation.
 - j. Milwaukee Valve Company.
 - k. NIBCO INC.
 - l. Norriseal; a Dover Corporation company.
 - m. Red-White Valve Corporation.
 - n. Spence Strainers International; a division of CIRCOR International, Inc.
 - o. Watts Regulator Co.; a division of Watts Water Technologies, Inc.

2. Description:
 - a. Standard: MSS SP-67, Type I.
 - b. CWP Rating: 200 psig.
 - c. Body Design: Lug type; suitable for bidirectional dead-end service at rated pressure without use of downstream flange.
 - d. Body Material: ASTM A 126, cast iron or ASTM A 536, ductile iron.
 - e. Seat: EPDM.
 - f. Stem: One- or two-piece stainless steel.
 - g. Disc: Aluminum bronze.

- B. 200 CWP, Iron, Single-Flange Butterfly Valves with EPDM Seat and Ductile-Iron Disc:
 1. Manufacturers: Subject to compliance with requirements, provide products by one of the following:
 - a. ABZ Valve and Controls; a division of ABZ Manufacturing, Inc.
 - b. American Valve, Inc.
 - c. Conbraco Industries, Inc.; Apollo Valves.
 - d. Cooper Cameron Valves; a division of Cooper Cameron Corporation.
 - e. Crane Co.; Crane Valve Group; Center Line.
 - f. Crane Co.; Crane Valve Group; Stockham Division.
 - g. DeZurik Water Controls.
 - h. Flo Fab Inc.
 - i. Hammond Valve.
 - j. Kitz Corporation.
 - k. Milwaukee Valve Company.
 - l. Mueller Steam Specialty; a division of SPX Corporation.
 - m. NIBCO INC.
 - n. Norriseal; a Dover Corporation company.
 - o. Spence Strainers International; a division of CIRCOR International, Inc.
 - p. Sure Flow Equipment Inc.

- q. Watts Regulator Co.; a division of Watts Water Technologies, Inc.

2. Description:

- a. Standard: MSS SP-67, Type I.
- b. CWP Rating: 200 psig.
- c. Body Design: Lug type; suitable for bidirectional dead-end service at rated pressure without use of downstream flange.
- d. Body Material: ASTM A 126, cast iron or ASTM A 536, ductile iron.
- e. Seat: EPDM.
- f. Stem: One- or two-piece stainless steel.
- g. Disc: Nickel-plated or -coated ductile iron.

C. 200 CWP, Iron, Single-Flange Butterfly Valves with EPDM Seat and Stainless-Steel Disc:

1. Manufacturers: Subject to compliance with requirements, provide products by one of the:

- a. ABZ Valve and Controls; a division of ABZ Manufacturing, Inc.
- b. American Valve, Inc.
- c. Conbraco Industries, Inc.; Apollo Valves.
- d. Cooper Cameron Valves; a division of Cooper Cameron Corporation.
- e. Crane Co.; Crane Valve Group; Jenkins Valves.
- f. Crane Co.; Crane Valve Group; Stockham Division.
- g. DeZurik Water Controls.
- h. Flo Fab Inc.
- i. Hammond Valve.
- j. Kitz Corporation.
- k. Milwaukee Valve Company.
- l. Mueller Steam Specialty; a division of SPX Corporation.
- m. NIBCO INC.
- n. Norrisedal; a Dover Corporation company.
- o. Red-White Valve Corporation.
- p. Spence Strainers International; a division of CIRCOR International, Inc.
- q. Sure Flow Equipment Inc.
- r. Watts Regulator Co.; a division of Watts Water Technologies, Inc.

2. Description:

- a. Standard: MSS SP-67, Type I.
- b. CWP Rating: 200 psig.
- c. Body Design: Lug type; suitable for bidirectional dead-end service at rated pressure without use of downstream flange.
- d. Body Material: ASTM A 126, cast iron or ASTM A 536, ductile iron.
- e. Seat: EPDM.
- f. Stem: One- or two-piece stainless steel.
- g. Disc: Stainless steel.

2.5 BRONZE LIFT CHECK VALVES

A. Class 125, Lift Check Valves with Bronze Disc:

1. Manufacturers: Subject to compliance with requirements, provide products by one of the following:
 - a. Crane Co.; Crane Valve Group; Crane Valves.
 - b. Crane Co.; Crane Valve Group; Jenkins Valves.
 - c. Crane Co.; Crane Valve Group; Stockham Division.
2. Description:
 - a. Standard: MSS SP-80, Type 1.
 - b. CWP Rating: 200 psig.
 - c. Body Design: Vertical flow.
 - d. Body Material: ASTM B 61 or ASTM B 62, bronze.
 - e. Ends: Threaded.
 - f. Disc: Bronze.

2.6 BRONZE SWING CHECK VALVES

A. Class 125, Bronze Swing Check Valves with Bronze Disc:

1. Manufacturers: Subject to compliance with requirements, provide products by one of the following:
 - a. American Valve, Inc.
 - b. Crane Co.; Crane Valve Group; Crane Valves.
 - c. Crane Co.; Crane Valve Group; Jenkins Valves.
 - d. Crane Co.; Crane Valve Group; Stockham Division.
 - e. Hammond Valve.
 - f. Kitz Corporation.
 - g. Milwaukee Valve Company.
 - h. NIBCO INC.
 - i. Powell Valves.
 - j. Red-White Valve Corporation.
 - k. Watts Regulator Co.; a division of Watts Water Technologies, Inc.
 - l. Zy-Tech Global Industries, Inc.
2. Description:
 - a. Standard: MSS SP-80, Type 3.
 - b. CWP Rating: 200 psig.
 - c. Body Design: Horizontal flow.
 - d. Body Material: ASTM B 62, bronze.
 - e. Ends: Threaded.
 - f. Disc: Bronze.

B. Class 150, Bronze Swing Check Valves with Bronze Disc:

1. Manufacturers: Subject to compliance with requirements, provide products by one of the following:
 - a. American Valve, Inc.
 - b. Crane Co.; Crane Valve Group; Crane Valves.
 - c. Crane Co.; Crane Valve Group; Jenkins Valves.
 - d. Crane Co.; Crane Valve Group; Stockham Division.
 - e. Kitz Corporation.
 - f. Milwaukee Valve Company.
 - g. NIBCO INC.
 - h. Red-White Valve Corporation.
 - i. Zy-Tech Global Industries, Inc.

2. Description:
 - a. Standard: MSS SP-80, Type 3.
 - b. CWP Rating: 300 psig.
 - c. Body Design: Horizontal flow.
 - d. Body Material: ASTM B 62, bronze.
 - e. Ends: Threaded.
 - f. Disc: Bronze.

2.7 IRON SWING CHECK VALVES

A. Class 125, Iron Swing Check Valves with Metal Seats:

1. Manufacturers: Subject to compliance with requirements, provide products by one of the following:
 - a. Crane Co.; Crane Valve Group; Crane Valves.
 - b. Crane Co.; Crane Valve Group; Jenkins Valves.
 - c. Crane Co.; Crane Valve Group; Stockham Division.
 - d. Hammond Valve.
 - e. Kitz Corporation.
 - f. Milwaukee Valve Company.
 - g. NIBCO INC.
 - h. Powell Valves.
 - i. Red-White Valve Corporation.
 - j. Sure Flow Equipment Inc.
 - k. Watts Regulator Co.; a division of Watts Water Technologies, Inc.
 - l. Zy-Tech Global Industries, Inc.

2. Description:
 - a. Standard: MSS SP-71, Type I.
 - b. CWP Rating: 200 psig.
 - c. Body Design: Clear or full waterway.
 - d. Body Material: ASTM A 126, gray iron with bolted bonnet.
 - e. Ends: Flanged.
 - f. Trim: Bronze.

g. Gasket: Asbestos free.

B. Class 250, Iron Swing Check Valves with Metal Seats:

1. Manufacturers: Subject to compliance with requirements, provide products by one of the following:

- a. Crane Co.; Crane Valve Group; Crane Valves.
- b. Crane Co.; Crane Valve Group; Jenkins Valves.
- c. Crane Co.; Crane Valve Group; Stockham Division.
- d. Hammond Valve.
- e. Milwaukee Valve Company.
- f. NIBCO INC.
- g. Watts Regulator Co.; a division of Watts Water Technologies, Inc.

2. Description:

- a. Standard: MSS SP-71, Type I.
- b. CWP Rating: 500 psig.
- c. Body Design: Clear or full waterway.
- d. Body Material: ASTM A 126, gray iron with bolted bonnet.
- e. Ends: Flanged.
- f. Trim: Bronze.
- g. Gasket: Asbestos free.

2.8 BRONZE GLOBE VALVES

A. Class 125, Bronze Globe Valves with Bronze Disc:

1. Manufacturers: Subject to compliance with requirements, provide products by one of the following:

- a. Crane Co.; Crane Valve Group; Crane Valves.
- b. Crane Co.; Crane Valve Group; Stockham Division.
- c. Hammond Valve.
- d. Kitz Corporation.
- e. Milwaukee Valve Company.
- f. NIBCO INC.
- g. Powell Valves.
- h. Red-White Valve Corporation.
- i. Watts Regulator Co.; a division of Watts Water Technologies, Inc.
- j. Zy-Tech Global Industries, Inc.

2. Description:

- a. Standard: MSS SP-80, Type 1.
- b. CWP Rating: 200 psig.
- c. Body Material: ASTM B 62, bronze with integral seat and screw-in bonnet.
- d. Ends: Threaded or solder joint.
- e. Stem and Disc: Bronze.

- f. Packing: Asbestos free.
- g. Handwheel: Malleable iron, bronze, or aluminum.

2.9 IRON GLOBE VALVES

A. Class 125, Iron Globe Valves:

1. Manufacturers: Subject to compliance with requirements, provide products by one of the following:
 - a. Crane Co.; Crane Valve Group; Crane Valves.
 - b. Crane Co.; Crane Valve Group; Jenkins Valves.
 - c. Crane Co.; Crane Valve Group; Stockham Division.
 - d. Hammond Valve.
 - e. Kitz Corporation.
 - f. Milwaukee Valve Company.
 - g. NIBCO INC.
 - h. Powell Valves.
 - i. Red-White Valve Corporation.
 - j. Watts Regulator Co.; a division of Watts Water Technologies, Inc.
 - k. Zy-Tech Global Industries, Inc.
2. Description:
 - a. Standard: MSS SP-85, Type I.
 - b. CWP Rating: 200 psig.
 - c. Body Material: ASTM A 126, gray iron with bolted bonnet.
 - d. Ends: Flanged.
 - e. Trim: Bronze.
 - f. Packing and Gasket: Asbestos free.

B. Class 250, Iron Globe Valves:

1. Manufacturers: Subject to compliance with requirements, provide products by one of the following:
 - a. Crane Co.; Crane Valve Group; Crane Valves.
 - b. Crane Co.; Crane Valve Group; Jenkins Valves.
 - c. Crane Co.; Crane Valve Group; Stockham Division.
 - d. Hammond Valve.
 - e. Milwaukee Valve Company.
 - f. NIBCO INC.
 - g. Watts Regulator Co.; a division of Watts Water Technologies, Inc.
2. Description:
 - a. Standard: MSS SP-85, Type I.
 - b. CWP Rating: 500 psig.
 - c. Body Material: ASTM A 126, gray iron with bolted bonnet.
 - d. Ends: Flanged.

- e. Trim: Bronze.
- f. Packing and Gasket: Asbestos free.

PART 3 - EXECUTION

3.1 EXAMINATION

- A. Examine valve interior for cleanliness, freedom from foreign matter, and corrosion. Remove special packing materials, such as blocks, used to prevent disc movement during shipping and handling.
- B. Operate valves in positions from fully open to fully closed. Examine guides and seats made accessible by such operations.
- C. Examine threads on valve and mating pipe for form and cleanliness.
- D. Examine mating flange faces for conditions that might cause leakage. Check bolting for proper size, length, and material. Verify that gasket is of proper size, that its material composition is suitable for service, and that it is free from defects and damage.
- E. Do not attempt to repair defective valves; replace with new valves.

3.2 VALVE INSTALLATION

- A. Install valves with unions or flanges at each piece of equipment arranged to allow service, maintenance, and equipment removal without system shutdown.
- B. Locate valves for easy access and provide separate support where necessary.
- C. Install valves in horizontal piping with stem at or above center of pipe.
- D. Install valves in position to allow full stem movement.
- E. Install check valves for proper direction of flow and as follows:
 - 1. Swing Check Valves: In horizontal position with hinge pin level.
 - 2. Lift Check Valves: With stem upright and plumb.

3.3 ADJUSTING

- A. Adjust or replace valve packing after piping systems have been tested and put into service but before final adjusting and balancing. Replace valves if persistent leaking occurs.

3.4 GENERAL REQUIREMENTS FOR VALVE APPLICATIONS

- A. If valve applications are not indicated, use the following:
1. Shutoff Service: Ball or butterfly valves.
 2. Butterfly Valve Dead-End Service: Single-flange (lug) type.
 3. Throttling Service Globe, angle, ball or butterfly valves.
 4. Pump-Discharge Check Valves:
 - a. NPS 2 and Smaller: Bronze swing check valves with bronze disc.
 - b. NPS 2-1/2 and Larger for Domestic Water: Iron swing check valves with lever and weight or check valves.
 - c. NPS 2-1/2 and Larger for Sanitary Waste and Storm Drainage: Iron swing check valves with lever and weight or spring.
- B. If valves with specified SWP classes or CWP ratings are not available, the same types of valves with higher SWP classes or CWP ratings may be substituted.
- C. Select valves, except wafer types, with the following end connections:
1. For Copper Tubing, NPS 2 and Smaller: Threaded ends except where solder-joint valve-end option is indicated in valve schedules below.
 2. For Copper Tubing, NPS 2-1/2 to NPS 4: Flanged ends except where threaded valve-end option is indicated in valve schedules below.
 3. For Copper Tubing, NPS 5 and Larger: Flanged ends.
 4. For Steel Piping, NPS 2 and Smaller: Threaded ends.
 5. For Steel Piping, NPS 2-1/2 to NPS 4: Flanged ends except where threaded valve-end option is indicated in valve schedules below.
 6. For Steel Piping, NPS 5 and Larger: Flanged ends.

3.5 LOW-PRESSURE, COMPRESSED-AIR VALVE SCHEDULE (150 PSIG OR LESS)

- A. Pipe NPS 2 and Smaller:
1. Bronze Valves: May be provided with solder-joint ends instead of threaded ends.
 2. Ball Valves: One, Two, or Three piece, full, regular or reduced port, with brass, bronze or stainless-steel trim.
 3. Bronze Lift Check Valves: Class 125, bronze disc.
 4. Bronze Swing Check Valves: Class 125, bronze disc.
- B. Pipe NPS 2-1/2 and Larger:
1. Iron Valves, NPS 2-1/2 to NPS 4: May be provided with threaded ends instead of flanged ends.
 2. Iron, Single-Flange Butterfly Valves: 200 CWP, NBR seat, aluminum-bronze, ductile-iron or stainless-steel disc.
 3. Iron Swing Check Valves: Class 125, metal seats.

3.6 DOMESTIC, HOT- AND COLD-WATER VALVE SCHEDULE

A. Pipe NPS 2 and Smaller:

1. Bronze Valves: May be provided with solder-joint ends instead of threaded ends.
2. Bronze Angle Valves: Class 125 or Class 150, bronze disc.
3. Ball Valves: One, Two or Three piece, full or, regular port, bronze with bronze or stainless-steel trim.
4. Bronze Swing Check Valves: Class 125 or Class 150, bronze disc.
5. Bronze Globe Valves: Class 125 or Class 150, bronze disc.

B. Pipe NPS 2-1/2 and Larger:

1. Iron Valves, NPS 2-1/2 to NPS 4: May be provided with threaded ends instead of flanged ends.
2. Ball Valves: One, Two or Three piece, full or, regular port, bronze with bronze or stainless-steel trim.
3. Iron, Single-Flange Butterfly Valves: 200 CWP, EPDM seat, aluminum-bronze, ductile-iron or stainless-steel disc.
4. Iron Swing Check Valves: Class 125 or Class 250, metal seats.
5. Iron Globe Valves: Class 125 or Class 250.

END OF SECTION

SECTION 22 05 29 - HANGERS AND SUPPORTS FOR PLUMBING PIPING AND EQUIPMENT

PART 1 - GENERAL

1.1 RELATED DOCUMENTS

- A. Drawings and general provisions of the Contract, including General and Supplementary Conditions and Division 01 Specification Sections, apply to this Section.

1.2 SUMMARY

- A. This Section includes the following hangers and supports for plumbing system piping and equipment:
1. Steel pipe hangers and supports.
 2. Trapeze pipe hangers.
 3. Metal framing systems.
 4. Thermal-hanger shield inserts.
 5. Fastener systems.
 6. Pipe stands.
 7. Pipe positioning systems.
 8. Equipment supports.
- B. Related Sections include the following:
1. Division 05 Section "Metal Fabrications" for structural-steel shapes and plates for trapeze hangers for pipe and equipment supports.
 2. Division 21 Section "Water-Based Fire-Suppression Systems" for pipe hangers for fire-suppression piping.
 3. Division 22 Section "Expansion Fittings and Loops for Plumbing Piping" for pipe guides and anchors.
 4. Division 22 Section "Vibration and Seismic Controls for Plumbing Piping and Equipment" for vibration isolation devices.

1.3 DEFINITIONS

- A. MSS: Manufacturers Standardization Society for The Valve and Fittings Industry Inc.
- B. Terminology: As defined in MSS SP-90, "Guidelines on Terminology for Pipe Hangers and Supports."

1.4 SEISMIC REQUIREMENTS

- A. Component Importance Factor. All plumbing components shall be assigned a component importance factor. The component importance factor, I_p , shall be taken as 1.5 if any of the following conditions apply:

1. The component is required to function for life-safety purposes after an earthquake.
 2. The component contains hazardous materials.
 3. The component is in or attached to an Occupancy Category IV structure and it is needed for continued operation of the facility or its failure could impair the continued operation of the facility.
- B. All other components shall be assigned a component importance factor, I_p , equal to 1.0.

1.5 PERFORMANCE REQUIREMENTS

- A. Design supports for multiple pipes, including pipe stands, capable of supporting combined weight of supported systems, system contents, and test water.
- B. Design equipment supports capable of supporting combined operating weight of supported equipment and connected systems and components.
- C. Seismic Performance: Plumbing equipment, hangers and supports shall withstand the effects of earthquake motions determined according to SEI/ASCE 7 and with the requirements specified in Section 220548 "Vibration and Seismic Controls for Plumbing Piping and Equipment."
1. For components with a seismic importance factor of 1.0 the term "withstand" means "the system will remain in place without separation of any parts when subjected to the seismic forces specified."
 2. For components with a seismic importance factor of 1.5 the term "withstand" means "the system will remain in place without separation of any parts when subjected to the seismic forces specified and the system will be fully operational after the seismic event."

1.6 SUBMITTALS

- A. Product Data: For the following:
1. Steel pipe hangers and supports.
 2. Thermal-hanger shield inserts.
 3. Powder-actuated fastener systems.
 4. Pipe positioning systems.
 5. Mechanical Anchors: ICC-ES Evaluation Reports validating 'Cracked Concrete' testing per A.C. 193 must be provided for anchors resisting seismic loads and/or supporting life- safety systems including fire sprinkler systems.
- B. Shop Drawings: Signed and sealed by a qualified professional engineer. Show fabrication and installation details and include calculations for the following:
1. Trapeze pipe hangers. Include Product Data for components.
 2. Metal framing systems. Include Product Data for components.
 3. Pipe stands. Include Product Data for components.

4. Equipment supports.
- C. Welding certificates.
- D. Delegated-Design Submittal:
1. Design calculations and detailed fabrication and assembly of pipe anchors and alignment guides, hangers and supports for multiple pipes, expansion joints and loops, and attachments of the same to the building structure.
 2. Locations of pipe anchors and alignment guides and expansion joints and loops.
 3. Locations of and details for penetrations, including sleeves and sleeve seals for exterior walls, floors, basement, and foundation walls.
 4. Seismic calculations and detailed analysis: Indicate fabrication and arrangement. Detail attachments of restraints to the restrained items and to the structure. Show attachment locations, methods, and spacings. Identify components, list their strengths, and indicate directions and values of forces transmitted to the structure during seismic events. Indicate association with vibration isolation devices. Project specific design documentation and calculations shall be prepared and stamped by a registered professional engineer who is responsible for the seismic restraint design and who is licensed in the state where the project is being constructed (ASCE 7, 13.2.1.1).

1.7 QUALITY ASSURANCE

- A. Welding: Qualify procedures and personnel according to AWS D1.1, "Structural Welding Code--Steel.", AWS D1.4, "Structural Welding Code--Reinforcing Steel." and ASME Boiler and Pressure Vessel Code: Section IX.
- B. Welding: Qualify procedures and personnel according to the following:
1. AWS D1.1, "Structural Welding Code--Steel."
 2. AWS D1.2, "Structural Welding Code--Aluminum."
 3. AWS D1.4, "Structural Welding Code--Reinforcing Steel."
 4. ASME Boiler and Pressure Vessel Code: Section IX.

PART 2 - PRODUCTS

2.1 MANUFACTURERS

- A. In other Part 2 articles where titles below introduce lists, the following requirements apply to product selection:
1. Manufacturers: Subject to compliance with requirements, provide products by one of the manufacturers specified.

2.2 STEEL PIPE HANGERS AND SUPPORTS

- A. Description: MSS SP-58, Types 1 through 58, factory-fabricated components. Refer to Part 3 "Hanger and Support Applications" Article for where to use specific hanger and support types.
- B. Manufacturers:
 - 1. Anvil International.
 - 2. AAA Technology & Specialties Co., Inc.
 - 3. Bergen-Powers Pipe Supports.
 - 4. B-Line Systems, Inc.; a division of Cooper Industries.
 - 5. Carpenter & Paterson, Inc.
 - 6. Empire Industries, Inc.
 - 7. ERICO/Michigan Hanger Co.
 - 8. FNW/Ferguson Enterprises
 - 9. Globe Pipe Hanger Products, Inc.
 - 10. Grinnell Corp.
 - 11. GS Metals Corp.
 - 12. National Pipe Hanger Corporation.
 - 13. PHD Manufacturing, Inc.
 - 14. PHS Industries, Inc.
 - 15. Piping Technology & Products, Inc.
 - 16. Tolco Inc.
 - 17. Simpson Strong-Tie Co.
- C. Galvanized, Metallic Coatings: Pregalvanized or hot dipped.
- D. Nonmetallic Coatings: Plastic coating, jacket, or liner.
- E. Padded Hangers: Hanger with fiberglass or other pipe insulation pad or cushion for support of bearing surface of piping.

2.3 TRAPEZE PIPE HANGERS

- A. Description: MSS SP-69, Type 59, shop- or field-fabricated pipe-support assembly made from structural-steel shapes with MSS SP-58 hanger rods, nuts, saddles, and U-bolts.

2.4 METAL FRAMING SYSTEMS

- A. Description: MFMA-3, shop- or field-fabricated pipe-support assembly made of steel channels and other components.
- B. Manufacturers:
 - 1. Anvil International.
 - 2. B-Line Systems, Inc.; a division of Cooper Industries.
 - 3. ERICO/Michigan Hanger Co.; ERISTRUT Div.
 - 4. FNW/Ferguson Enterprises

5. GS Metals Corp.
6. Hilti, Inc.
7. Power-Strut Div.; Tyco International, Ltd.
8. Thomas & Betts Corporation.
9. Tolco Inc.
10. Unistrut Corp.; Tyco International, Ltd.

C. Coatings: Manufacturer's standard finish unless bare metal surfaces are indicated.

D. Nonmetallic Coatings: Plastic coating, jacket, or liner.

2.5 THERMAL-HANGER SHIELD INSERTS

A. Description: 100-psig- minimum, compressive-strength insulation insert encased in sheet metal shield.

B. Manufacturers:

1. Carpenter & Paterson, Inc.
2. ERICO/Michigan Hanger Co.
3. PHS Industries, Inc.
4. Pipe Shields, Inc.
5. Rilco Manufacturing Company, Inc.
6. Value Engineered Products, Inc.

C. Insulation-Insert Material for Cold Piping: Water-repellent treated, ASTM C 533, Type I calcium silicate with vapor barrier.

D. Insulation-Insert Material for Hot Piping: Water-repellent treated, ASTM C 533, Type I calcium silicate.

E. For Trapeze or Clamped Systems: Insert and shield shall cover entire circumference of pipe.

F. For Clevis or Band Hangers: Insert and shield shall cover lower 180 degrees of pipe.

G. Insert Length: Extend 2 inches beyond sheet metal shield for piping operating below ambient air temperature.

2.6 FASTENER SYSTEMS

A. Powder-Actuated Fasteners: Threaded-steel stud, for use in hardened portland cement concrete with pull-out, tension, and shear capacities appropriate for supported loads and building materials where used.

1. Manufacturers:

- a. Hilti, Inc.
- b. MKT Fastening, LLC.
- c. Powers Fasteners.

- d. Simpson Strong-Tie Co.
- B. Mechanical-Expansion Anchors and Concrete Screws: Insert-wedge-type stainless steel, for use in hardened portland cement concrete with pull-out, tension, and shear capacities appropriate for supported loads and building materials where used. For anchors resisting seismic loads and/or supporting life- safety systems including fire sprinkler systems, Anchors shall have been tested for 'Cracked Concrete' per A.C. 193 per a valid ICC-ES Evaluation Report. Manufacturers with these anchors have been designated below with: '*'
1. Manufacturers:
 - a. B-Line Systems, Inc.; a division of Cooper Industries.
 - b. Empire Industries, Inc.
 - c. Hilti, Inc.
 - d. ITW Ramset/Red Head.
 - e. MKT Fastening, LLC.
 - f. Powers Fasteners.
 - g. Simpson Strong-Tie Co. *

2.7 PIPE STAND FABRICATION

- A. Pipe Stands, General: Shop or field-fabricated assemblies made of manufactured corrosion-resistant components to support roof-mounted piping.
- B. Compact Pipe Stand: One-piece plastic unit with integral-rod-roller, pipe clamps, or V-shaped cradle to support pipe, for roof installation without membrane penetration.
1. Manufacturers:
 - a. Anvil International.
 - b. ERICO/Michigan Hanger Co.
 - c. MIRO Industries.
 - d. Unipure
- C. Low-Type, Single-Pipe Stand: One-piece stainless-steel base unit with plastic roller, for roof installation without membrane penetration.
1. Manufacturers:
 - a. MIRO Industries.
- D. High-Type, Single-Pipe Stand: Assembly of base, vertical and horizontal members, and pipe support, for roof installation without membrane penetration.
1. Manufacturers:
 - a. Anvil International.
 - b. ERICO/Michigan Hanger Co.
 - c. MIRO Industries.
 - d. Portable Pipe Hangers.

2. Base: Stainless steel.
 3. Vertical Members: Two or more cadmium-plated-steel or stainless-steel, continuous-thread rods.
 4. Horizontal Member: Cadmium-plated-steel or stainless-steel rod with plastic or stainless-steel, roller-type pipe support.
- E. High-Type, Multiple-Pipe Stand: Assembly of bases, vertical and horizontal members, and pipe supports, for roof installation without membrane penetration.
1. Manufacturers:
 - a. Anvil International.
 - b. Portable Pipe Hangers.
 2. Bases: One or more plastic.
 3. Vertical Members: Two or more protective-coated-steel channels.
 4. Horizontal Member: Protective-coated-steel channel.
 5. Pipe Supports: Galvanized-steel, clevis-type pipe hangers.
- F. Curb-Mounting-Type Pipe Stands: Shop- or field-fabricated pipe support made from structural-steel shape, continuous-thread rods, and rollers for mounting on permanent stationary roof curb.

2.8 PIPE POSITIONING SYSTEMS

- A. Description: IAPMO PS 42, system of metal brackets, clips, and straps for positioning piping in pipe spaces for plumbing fixtures for commercial applications.
- B. Manufacturers:
1. C & S Mfg. Corp.
 2. HOLDRITE Corp.; Hubbard Enterprises.
 3. Samco Stamping, Inc.

2.9 EQUIPMENT SUPPORTS

- A. Description: Welded, shop- or field-fabricated equipment support made from structural-steel shapes.

2.10 MISCELLANEOUS MATERIALS

- A. Structural Steel: ASTM A 36/A 36M, steel plates, shapes, and bars; black and galvanized.
- B. Grout: ASTM C 1107, factory-mixed and -packaged, dry, hydraulic-cement, nonshrink and nonmetallic grout; suitable for interior and exterior applications.
1. Properties: Nonstaining, noncorrosive, and nongaseous.
 2. Design Mix: 5000-psi, 28-day compressive strength.

PART 3 - EXECUTION

3.1 HANGER AND SUPPORT APPLICATIONS

- A. Specific hanger and support requirements are specified in Sections specifying piping systems and equipment.
- B. Comply with MSS SP-69 for pipe hanger selections and applications that are not specified in piping system Sections.
- C. Use hangers and supports with galvanized, metallic coatings for piping and equipment that will not have field-applied finish.
- D. Use nonmetallic coatings on attachments for electrolytic protection where attachments are in direct contact with copper tubing.
- E. Use padded hangers for piping that is subject to scratching.
- F. Horizontal-Piping Hangers and Supports: Unless otherwise indicated and except as specified in piping system Sections, install the following types:
 - 1. Adjustable, Steel Clevis Hangers (MSS Type 1): For suspension of noninsulated or insulated stationary pipes, NPS 1/2 to NPS 30.
 - 2. Yoke-Type Pipe Clamps (MSS Type 2): For suspension of 120 to 450 deg F pipes, NPS 4 to NPS 16, requiring up to 4 inches of insulation.
 - 3. Carbon- or Alloy-Steel, Double-Bolt Pipe Clamps (MSS Type 3): For suspension of pipes, NPS 3/4 to NPS 24, requiring clamp flexibility and up to 4 inches of insulation.
 - 4. Steel Pipe Clamps (MSS Type 4): For suspension of cold and hot pipes, NPS 1/2 to NPS 24, if little or no insulation is required.
 - 5. Pipe Hangers (MSS Type 5): For suspension of pipes, NPS 1/2 to NPS 4, to allow off-center closure for hanger installation before pipe erection.
 - 6. Adjustable, Swivel Split- or Solid-Ring Hangers (MSS Type 6): For suspension of noninsulated stationary pipes, NPS 3/4 to NPS 8.
 - 7. Adjustable, Steel Band Hangers (MSS Type 7): For suspension of noninsulated stationary pipes, NPS 1/2 to NPS 8.
 - 8. Adjustable Band Hangers (MSS Type 9): For suspension of noninsulated stationary pipes, NPS 1/2 to NPS 8.
 - 9. Adjustable, Swivel-Ring Band Hangers (MSS Type 10): For suspension of noninsulated stationary pipes, NPS 1/2 to NPS 2.
 - 10. Split Pipe-Ring with or without Turnbuckle-Adjustment Hangers (MSS Type 11): For suspension of noninsulated stationary pipes, NPS 3/8 to NPS 8.
 - 11. Extension Hinged or 2-Bolt Split Pipe Clamps (MSS Type 12): For suspension of noninsulated stationary pipes, NPS 3/8 to NPS 3.
 - 12. U-Bolts (MSS Type 24): For support of heavy pipes, NPS 1/2 to NPS 30.
 - 13. Clips (MSS Type 26): For support of insulated pipes not subject to expansion or contraction.
 - 14. Pipe Saddle Supports (MSS Type 36): For support of pipes, NPS 4 to NPS 36, with steel pipe base stanchion support and cast-iron floor flange.

15. Pipe Stanchion Saddles (MSS Type 37): For support of pipes, NPS 4 to NPS 36, with steel pipe base stanchion support and cast-iron floor flange and with U-bolt to retain pipe.
 16. Adjustable, Pipe Saddle Supports (MSS Type 38): For stanchion-type support for pipes, NPS 2-1/2 to NPS 36, if vertical adjustment is required, with steel pipe base stanchion support and cast-iron floor flange.
 17. Single Pipe Rolls (MSS Type 41): For suspension of pipes, NPS 1 to NPS 30, from 2 rods if longitudinal movement caused by expansion and contraction might occur.
 18. Adjustable Roller Hangers (MSS Type 43): For suspension of pipes, NPS 2-1/2 to NPS 20, from single rod if horizontal movement caused by expansion and contraction might occur.
 19. Complete Pipe Rolls (MSS Type 44): For support of pipes, NPS 2 to NPS 42, if longitudinal movement caused by expansion and contraction might occur but vertical adjustment is not necessary.
 20. Pipe Roll and Plate Units (MSS Type 45): For support of pipes, NPS 2 to NPS 24, if small horizontal movement caused by expansion and contraction might occur and vertical adjustment is not necessary.
 21. Adjustable Pipe Roll and Base Units (MSS Type 46): For support of pipes, NPS 2 to NPS 30, if vertical and lateral adjustment during installation might be required in addition to expansion and contraction.
- G. Vertical-Piping Clamps: Unless otherwise indicated and except as specified in piping system Sections, install the following types:
1. Extension Pipe or Riser Clamps (MSS Type 8): For support of pipe risers, NPS 3/4 to NPS 20.
 2. Carbon- or Alloy-Steel Riser Clamps (MSS Type 42): For support of pipe risers, NPS 3/4 to NPS 20, if longer ends are required for riser clamps.
- H. Hanger-Rod Attachments: Unless otherwise indicated and except as specified in piping system Sections, install the following types:
1. Steel Turnbuckles (MSS Type 13): For adjustment up to 6 inches for heavy loads.
 2. Steel Clevises (MSS Type 14): For 120 to 450 deg F piping installations.
 3. Swivel Turnbuckles (MSS Type 15): For use with MSS Type 11, split pipe rings.
 4. Malleable-Iron Sockets (MSS Type 16): For attaching hanger rods to various types of building attachments.
 5. Steel Weldless Eye Nuts (MSS Type 17): For 120 to 450 deg F piping installations.
- I. Building Attachments: Unless otherwise indicated and except as specified in piping system Sections, install the following types:
1. Steel or Malleable Concrete Inserts (MSS Type 18 or Simpson Blue Banger Concrete insert with UL & FM approvals): For upper attachment to suspend pipe hangers from concrete ceiling.
 2. Top-Beam C-Clamps (MSS Type 19): For use under roof installations with bar-joint construction to attach to top flange of structural shape.
 3. Side-Beam or Channel Clamps (MSS Type 20): For attaching to bottom flange of beams, channels, or angles.

4. Center-Beam Clamps (MSS Type 21): For attaching to center of bottom flange of beams.
 5. Welded Beam Attachments (MSS Type 22): For attaching to bottom of beams if loads are considerable and rod sizes are large.
 6. C-Clamps (MSS Type 23): For structural shapes.
 7. Top-Beam Clamps (MSS Type 25): For top of beams if hanger rod is required tangent to flange edge.
 8. Side-Beam Clamps (MSS Type 27): For bottom of steel I-beams.
 9. Steel-Beam Clamps with Eye Nuts (MSS Type 28): For attaching to bottom of steel I-beams for heavy loads.
 10. Linked-Steel Clamps with Eye Nuts (MSS Type 29): For attaching to bottom of steel I-beams for heavy loads, with link extensions.
 11. Malleable Beam Clamps with Extension Pieces (MSS Type 30): For attaching to structural steel.
 12. Welded-Steel Brackets: For support of pipes from below, or for suspending from above by using clip and rod. Use one of the following for indicated loads:
 - a. Light (MSS Type 31): 750 lb.
 - b. Medium (MSS Type 32): 1500 lb.
 - c. Heavy (MSS Type 33): 3000 lb.
 13. Side-Beam Brackets (MSS Type 34): For sides of steel or wooden beams.
 14. Plate Lugs (MSS Type 57): For attaching to steel beams if flexibility at beam is required.
 15. Horizontal Travelers (MSS Type 58): For supporting piping systems subject to linear horizontal movement where headroom is limited.
- J. Saddles and Shields: Unless otherwise indicated and except as specified in piping system Sections, install the following types:
1. Steel Pipe-Covering Protection Saddles (MSS Type 39): To fill interior voids with insulation that matches adjoining insulation.
 2. Protection Shields (MSS Type 40): Of length recommended in writing by manufacturer to prevent crushing insulation.
 3. Thermal-Hanger Shield Inserts: For supporting insulated pipe.
- K. Spring Hangers and Supports: Unless otherwise indicated and except as specified in piping system Sections, install the following types:
1. Restraint-Control Devices (MSS Type 47): Where indicated to control piping movement.
 2. Spring Cushions (MSS Type 48): For light loads if vertical movement does not exceed 1-1/4 inches.
 3. Spring-Cushion Roll Hangers (MSS Type 49): For equipping Type 41 roll hanger with springs.
 4. Spring Sway Braces (MSS Type 50): To retard sway, shock, vibration, or thermal expansion in piping systems.
 5. Variable-Spring Hangers (MSS Type 51): Preset to indicated load and limit variability factor to 25 percent to absorb expansion and contraction of piping system from hanger.

6. Variable-Spring Base Supports (MSS Type 52): Preset to indicated load and limit variability factor to 25 percent to absorb expansion and contraction of piping system from base support.
7. Variable-Spring Trapeze Hangers (MSS Type 53): Preset to indicated load and limit variability factor to 25 percent to absorb expansion and contraction of piping system from trapeze support.
8. Constant Supports: For critical piping stress and if necessary to avoid transfer of stress from one support to another support, critical terminal, or connected equipment. Include auxiliary stops for erection, hydrostatic test, and load-adjustment capability. These supports include the following types:
 - a. Horizontal (MSS Type 54): Mounted horizontally.
 - b. Vertical (MSS Type 55): Mounted vertically.
 - c. Trapeze (MSS Type 56): Two vertical-type supports and one trapeze member.
- L. Comply with MSS SP-69 for trapeze pipe hanger selections and applications that are not specified in piping system Sections.
- M. Comply with MFMA-102 for metal framing system selections and applications that are not specified in piping system Sections.
- N. Use powder-actuated fasteners or mechanical-expansion anchors instead of building attachments where required in concrete construction.
- O. Use pipe positioning systems in pipe spaces behind plumbing fixtures to support supply and waste piping for plumbing fixtures.

3.2 HANGER AND SUPPORT INSTALLATION

- A. Comply with SEI/ASCE 7 and with requirements for seismic-restraint devices in Section 220548 "Vibration and Seismic Controls for Plumbing Piping and Equipment."
- B. Steel Pipe Hanger Installation: Comply with MSS SP-69 and MSS SP-89. Install hangers, supports, clamps, and attachments as required to properly support piping from building structure.
- C. Trapeze Pipe Hanger Installation: Comply with MSS SP-69 and MSS SP-89. Arrange for grouping of parallel runs of horizontal piping and support together on field-fabricated trapeze pipe hangers.
 1. Pipes of Various Sizes: Support together and space trapezes for smallest pipe size or install intermediate supports for smaller diameter pipes as specified above for individual pipe hangers.
 2. Field fabricate from ASTM A 36/A 36M, steel shapes selected for loads being supported. Weld steel according to AWS D1.1.
- D. Metal Framing System Installation: Arrange for grouping of parallel runs of piping and support together on field-assembled metal framing systems.
- E. Thermal-Hanger Shield Installation: Install in pipe hanger or shield for insulated piping.

F. Fastener System Installation:

1. Install powder-actuated fasteners for use in lightweight concrete or concrete slabs less than 4 inches thick in concrete after concrete is placed and completely cured. Use operators that are licensed by powder-actuated tool manufacturer. Install fasteners according to powder-actuated tool manufacturer's operating manual. Powder actuated fasteners shall not be used for seismic bracing attachments.
2. Install mechanical-expansion anchors in concrete after concrete is placed and completely cured. Install fasteners according to manufacturer's written instructions. For anchors resisting seismic loads and/or supporting life-safety systems including fire sprinkler systems, anchors shall have been tested for 'Cracked Concrete' per A.C. 193 and shall have a valid ICC-ES Evaluation Report

G. Pipe Stand Installation:

1. Pipe Stand Types except Curb-Mounting Type: Assemble components and mount on smooth roof surface. Do not penetrate roof membrane.
2. Curb-Mounting-Type Pipe Stands: Assemble components or fabricate pipe stand and mount on permanent, stationary roof curb. Refer to Division 07 Section "Roof Accessories" for curbs.

H. Pipe Positioning System Installation: Install support devices to make rigid supply and waste piping connections to each plumbing fixture. Refer to Division 22 Section "Plumbing Fixtures" for plumbing fixtures.

I. Install hangers and supports complete with necessary inserts, bolts, rods, nuts, washers, and other accessories.

J. Equipment Support Installation: Fabricate from welded-structural-steel shapes.

K. Install hangers and supports to allow controlled thermal and seismic movement of piping systems, to permit freedom of movement between pipe anchors, and to facilitate action of expansion joints, expansion loops, expansion bends, and similar units.

L. Install lateral bracing with pipe hangers and supports to prevent swaying.

M. Install building attachments within concrete slabs or attach to structural steel. Install additional attachments at concentrated loads, including valves, flanges, and strainers, NPS 2-1/2 and larger and at changes in direction of piping. Install concrete inserts before concrete is placed; fasten inserts to forms and install reinforcing bars through openings at top of inserts.

N. Load Distribution: Install hangers and supports so piping live and dead loads and stresses from movement will not be transmitted to connected equipment.

O. Pipe Slopes: Install hangers and supports to provide indicated pipe slopes and so maximum pipe deflections allowed by ASME B31.9 (for building services piping) are not exceeded.

- P. Insulated Piping: Comply with the following:
1. Attach clamps and spacers to piping.
 - a. Piping Operating above Ambient Air Temperature: Clamp may project through insulation.
 - b. Piping Operating below Ambient Air Temperature: Use thermal-hanger shield insert with clamp sized to match OD of insert.
 - c. Do not exceed pipe stress limits according to ASME B31.9 for building services piping.
 2. Install MSS SP-58, Type 39, protection saddles if insulation without vapor barrier is indicated. Fill interior voids with insulation that matches adjoining insulation.
 - a. Option: Thermal-hanger shield inserts may be used. Include steel weight-distribution plate for pipe NPS 4 and larger if pipe is installed on rollers.
 3. Install MSS SP-58, Type 40, protective shields on cold piping with vapor barrier. Shields shall span an arc of 180 degrees.
 - a. Option: Thermal-hanger shield inserts may be used. Include steel weight-distribution plate for pipe NPS 4 and larger if pipe is installed on rollers.
 4. Shield Dimensions for Pipe: Not less than the following:
 - a. NPS 1/4 to NPS 3-1/2: 12 inches long and 0.048 inch thick.
 - b. NPS 4: 12 inches long and 0.06 inch thick.
 - c. NPS 5 and NPS 6: 18 inches long and 0.06 inch thick.
 - d. NPS 8 to NPS 14: 24 inches long and 0.075 inch thick.
 - e. NPS 16 to NPS 24: 24 inches long and 0.105 inch thick.
 5. Pipes NPS 8 and Larger: Include wood inserts.
 6. Insert Material: Length at least as long as protective shield.
 7. Thermal-Hanger Shields: Install with insulation same thickness as piping insulation.

3.3 EQUIPMENT SUPPORTS

- A. Fabricate structural-steel stands to suspend equipment from structure overhead or to support equipment above floor.
- B. Grouting: Place grout under supports for equipment and make smooth bearing surface.
- C. Provide lateral bracing, to prevent swaying, for equipment supports. For applications where seismic bracing is required, 'Cracked Concrete' expansion anchors or concrete screws tested per A.C. 193 must be provided for seismic bracing anchorage where post-installed anchors are required.

3.4 METAL FABRICATIONS

- A. Cut, drill, and fit miscellaneous metal fabrications for trapeze pipe hangers and equipment supports.
- B. Fit exposed connections together to form hairline joints. Field weld connections that cannot be shop welded because of shipping size limitations.
- C. Field Welding: Comply with AWS D1.1 procedures for shielded metal arc welding, appearance and quality of welds, and methods used in correcting welding work, and with the following:
 - 1. Use materials and methods that minimize distortion and develop strength and corrosion resistance of base metals.
 - 2. Obtain fusion without undercut or overlap.
 - 3. Remove welding flux immediately.
 - 4. Finish welds at exposed connections so no roughness shows after finishing and contours of welded surfaces match adjacent contours.

3.5 ADJUSTING

- A. Hanger Adjustments: Adjust hangers to distribute loads equally on attachments and to achieve indicated slope of pipe.
- B. Trim excess length of continuous-thread hanger and support rods to 1-1/2 inches .

3.6 PAINTING

- A. Touch Up: Clean field welds and abraded areas of shop paint. Paint exposed areas immediately after erecting hangers and supports. Use same materials as used for shop painting. Comply with SSPC-PA 1 requirements for touching up field-painted surfaces.
 - 1. Apply paint by brush or spray to provide minimum dry film thickness of 2.0 mils.
- B. Touch Up: Cleaning and touchup painting of field welds, bolted connections, and abraded areas of shop paint on miscellaneous metal are specified in Division 09 painting Sections.
- C. Galvanized Surfaces: Clean welds, bolted connections, and abraded areas and apply galvanizing-repair paint to comply with ASTM A 780.

END OF SECTION

SECTION 22 05 48 - VIBRATION AND SEISMIC CONTROLS FOR PLUMBING PIPING AND EQUIPMENT

PART 1 - GENERAL

1.1 RELATED DOCUMENTS

- A. Drawings and general provisions of the Contract, including General and Supplementary Conditions and Division 01 Specification Sections, apply to this Section.

1.2 SUMMARY

- A. This Section includes the following restraints and vibration isolation as defined in Section 230548 "Vibration Isolation and Seismic Controls for HVAC" for the following:
 - 1. Plumbing Piping.
 - 2. Plumbing Equipment.

PART 2 - PRODUCTS

2.1 (NOT USED)

PART 3 - EXECUTION

3.1 (NOT USED)

END OF SECTION

THIS PAGE INTENTIONALLY LEFT BLANK

SECTION 22 05 53 - IDENTIFICATION FOR PLUMBING PIPING AND EQUIPMENT

PART 1 - GENERAL

1.1 RELATED DOCUMENTS

- A. Drawings and general provisions of the Contract, including General and Supplementary Conditions and Division 01 Specification Sections, apply to this Section.

1.2 SUMMARY

A. Section Includes:

1. Equipment labels.
2. Warning signs and labels.
3. Pipe labels.
4. Stencils.
5. Valve tags.
6. Warning tags.
7. Ceiling grid

1.3 SUBMITTALS

- A. Product Data: For each type of product indicated.
- B. Samples: For color, letter style, and graphic representation required for each identification material and device.
- C. Equipment Label Schedule: Include a listing of all equipment to be labeled with the proposed content for each label.
- D. Valve numbering scheme.
- E. Valve Schedules: For each piping system to include in maintenance manuals.

1.4 COORDINATION

- A. Coordinate installation of identifying devices with completion of covering and painting of surfaces where devices are to be applied.
- B. Coordinate installation of identifying devices with locations of access panels and doors.
- C. Install identifying devices before installing acoustical ceilings and similar concealment.

PART 2 - PRODUCTS

2.1 EQUIPMENT LABELS

A. Plastic Labels for Equipment:

1. Material and Thickness: Multilayer, multicolor, plastic labels for mechanical engraving, 1/16 inch thick, and having predrilled holes for attachment hardware.
2. Letter Color: White.
3. Background Color: Blue.
4. Maximum Temperature: Able to withstand temperatures up to 160 deg F.
5. Minimum Label Size: Length and width vary for required label content, but not less than 2-1/2 by 3/4 inch.
6. Minimum Letter Size: 1/4 inch for name of units if viewing distance is less than 24 inches, 1/2 inch for viewing distances up to 72 inches, and proportionately larger lettering for greater viewing distances. Include secondary lettering two-thirds to three-fourths the size of principal lettering.
7. Fasteners: Stainless-steel rivets or self-tapping screws.
8. Adhesive: Contact-type permanent adhesive, compatible with label and with substrate.

B. Label Content: Include equipment's Drawing designation or unique equipment number, Drawing numbers where equipment is indicated (plans, details, and schedules), plus the Specification Section number and title where equipment is specified.

C. Equipment Label Schedule: For each item of equipment to be labeled, on 8-1/2-by-11-inch bond paper. Tabulate equipment identification number and identify Drawing numbers where equipment is indicated (plans, details, and schedules), plus the Specification Section number and title where equipment is specified. Equipment schedule shall be included in operation and maintenance data.

2.2 WARNING SIGNS AND LABELS

A. Material and Thickness: Multilayer, multicolor, plastic labels for mechanical engraving, 1/16 inch thick, and having predrilled holes for attachment hardware.

B. Letter Color: Black.

C. Background Color: Yellow.

D. Maximum Temperature: Able to withstand temperatures up to 160 deg F.

E. Minimum Label Size: Length and width vary for required label content, but not less than 2-1/2 by 3/4 inch.

F. Minimum Letter Size: 1/4 inch for name of units if viewing distance is less than 24 inches, 1/2 inch for viewing distances up to 72 inches, and proportionately larger lettering for greater viewing distances. Include secondary lettering two-thirds to three-fourths the size of principal lettering.

- G. Fasteners: Stainless-steel rivets or self-tapping screws.
- H. Adhesive: Contact-type permanent adhesive, compatible with label and with substrate.
- I. Label Content: Include caution and warning information, plus emergency notification instructions.

2.3 PIPE LABELS

- A. General Requirements for Manufactured Pipe Labels: Preprinted, color-coded, with lettering indicating service, and showing flow direction.
- B. Pretensioned Pipe Labels: Precoiled, semirigid plastic formed to cover full circumference of pipe and to attach to pipe without fasteners or adhesive.
- C. Self-Adhesive Pipe Labels: Printed plastic with contact-type, permanent-adhesive backing.
- D. Pipe Label Contents: Include identification of piping service using same designations or abbreviations as used on Drawings, pipe size, and an arrow indicating flow direction.
 - 1. Flow-Direction Arrows: Integral with piping system service lettering to accommodate both directions, or as separate unit on each pipe label to indicate flow direction.
 - 2. Lettering Size: At least 1-1/2 inches high.

2.4 STENCILS

- A. Stencils: Prepared with letter sizes according to ASME A13.1 for piping; and minimum letter height of 3/4 inch for access panel and door labels, equipment labels, and similar operational instructions.
 - 1. Stencil Material: Fiberboard or metal.
 - 2. Stencil Paint: Exterior, gloss, alkyd enamel black unless otherwise indicated. Paint may be in pressurized spray-can form.
 - 3. Identification Paint: Exterior, alkyd enamel in colors according to ASME A13.1 unless otherwise indicated.

2.5 VALVE TAGS

- A. Valve Tags: Stamped or engraved with 1/4-inch letters for piping system abbreviation and 1/2-inch numbers.
 - 1. Tag Material: Brass, 0.032-inch minimum thickness, and having predrilled or stamped holes for attachment hardware.
 - 2. Fasteners: Brass wire-link or beaded chain; or S-hook.

- B. Valve Schedules: For each piping system, on 8-1/2-by-11-inch bond paper. Tabulate valve number, piping system, system abbreviation (as shown on valve tag), location of valve (room or space), normal-operating position (open, closed, or modulating), and variations for identification. Mark valves for emergency shutoff and similar special uses.

- 1. Valve-tag schedule shall be included in operation and maintenance data.

2.6 WARNING TAGS

- A. Warning Tags: Preprinted or partially preprinted, accident-prevention tags, of plasticized card stock with matte finish suitable for writing.

- 1. Size: 3 by 5-1/4 inches minimum.
 - 2. Fasteners: Brass grommet and wire.
 - 3. Nomenclature: Large-size primary caption such as "DANGER," "CAUTION," or "DO NOT OPERATE."
 - 4. Color: Yellow background with black lettering.

2.7 CEILING GRID

- A. Provide valve identification for all plumbing and med gas valves located above the ceiling on the ceiling grid below the valve.

PART 3 - EXECUTION

3.1 PREPARATION

- A. Clean piping and equipment surfaces of substances that could impair bond of identification devices, including dirt, oil, grease, release agents, and incompatible primers, paints, and encapsulants.

3.2 EQUIPMENT LABEL INSTALLATION

- A. Install or permanently fasten labels on each major item of mechanical equipment.
- B. Locate equipment labels where accessible and visible.

3.3 PIPE LABEL INSTALLATION

- A. Piping Color-Coding: Painting of piping is specified in Division 09.
- B. Stenciled Pipe Label Option: Stenciled labels may be provided instead of manufactured pipe labels, at Installer's option. Install stenciled pipe labels, complying with ASME A13.1, on each piping system.

1. Identification Paint: Use for contrasting background.
 2. Stencil Paint: Use for pipe marking.
- C. Locate pipe labels where piping is exposed or above accessible ceilings in finished spaces; machine rooms; accessible maintenance spaces such as shafts, tunnels, and plenums; and exterior exposed locations as follows:
1. Near each valve and control device.
 2. Near each branch connection, excluding short takeoffs for fixtures and terminal units. Where flow pattern is not obvious, mark each pipe at branch.
 3. Near penetrations through walls, floors, ceilings, and inaccessible enclosures.
 4. At access doors, manholes, and similar access points that permit view of concealed piping.
 5. Near major equipment items and other points of origination and termination.
 6. Spaced at maximum intervals of 50 feet along each run. Reduce intervals to 25 feet in areas of congested piping and equipment.
 7. On piping above removable acoustical ceilings. Omit intermediately spaced labels.
- D. Pipe Label Color Schedule:
1. Low-Pressure, Compressed-Air Piping:
 - a. Background Color: Comply with ASME A13.1.
 - b. Letter Color: Comply with ASME A13.1.
 2. Medium-Pressure, Compressed-Air Piping:
 - a. Background Color: Comply with ASME A13.1.
 - b. Letter Color: Comply with ASME A13.1.
 3. Domestic Water Piping:
 - a. Background Color: Comply with ASME A13.1.
 - b. Letter Color: Comply with ASME A13.1.
 4. Sanitary Waste and Storm Drainage Piping:
 - a. Background Color: Comply with ASME A13.1.
 - b. Letter Color: Comply with ASME A13.1.

3.4 VALVE-TAG INSTALLATION

- A. Install tags on valves and control devices in piping systems, except check valves; valves within factory-fabricated equipment units; shutoff valves; faucets; convenience and lawn-watering hose connections; and similar roughing-in connections of end-use fixtures and units. List tagged valves in a valve schedule.
- B. Valve-Tag Application Schedule: Tag valves according to size, shape, and color scheme and with captions similar to those indicated in the following subparagraphs:

1. Valve-Tag Size and Shape:
 - a. Cold Water: 1-1/2 inches, round.
 - b. Hot Water: 1-1/2 inches, round.
 - c. Low-Pressure Compressed Air: 1-1/2 inches, round.
 - d. High-Pressure Compressed Air: 1-1/2 inches, round.

2. Valve-Tag Color:
 - a. Cold Water: Comply with ASME A13.1.
 - b. Hot Water: Comply with ASME A13.1.
 - c. Low-Pressure Compressed Air: Comply with ASME A13.1.
 - d. High-Pressure Compressed Air: Comply with ASME A13.1.

3. Letter Color:
 - a. Cold Water: Comply with ASME A13.1.
 - b. Hot Water: Comply with ASME A13.1.
 - c. Low-Pressure Compressed Air: Comply with ASME A13.1.
 - d. High-Pressure Compressed Air: Comply with ASME A13.1.

3.5 WARNING-TAG INSTALLATION

- A. Write required message on, and attach warning tags to, equipment and other items where required.

END OF SECTION

SECTION 22 07 00 - PLUMBING INSULATION

PART 1 - GENERAL

1.1 RELATED DOCUMENTS

- A. Drawings and general provisions of the Contract, including General and Supplementary Conditions and Division 01 Specification Sections, apply to this Section.

1.2 SUMMARY

- A. Section Includes:

- 1. Insulation Materials:
 - a. Flexible elastomeric.
 - b. Mineral fiber.
- 2. Adhesives.
- 3. Lagging adhesives.
- 4. Sealants.
- 5. Factory-applied jackets.
- 6. Field-applied fabric-reinforcing mesh.
- 7. Field-applied jackets.
- 8. Tapes.
- 9. Securements.
- 10. Corner angles.

- B. Related Sections include the following:

- 1. Division 23 Section "HVAC Insulation."

1.3 SUBMITTALS

- A. Product Data: For each type of product indicated. Include thermal conductivity, thickness, and jackets (both factory and field applied, if any).
- B. Shop Drawings:
 - 1. Detail application of protective shields, saddles, and inserts at hangers for each type of insulation and hanger.
 - 2. Detail attachment and covering of heat tracing inside insulation.
 - 3. Detail insulation application at pipe expansion joints for each type of insulation.
 - 4. Detail insulation application at elbows, fittings, flanges, valves, and specialties for each type of insulation.
 - 5. Detail removable insulation at piping specialties, equipment connections, and access panels.
 - 6. Detail application of field-applied jackets.

- C. Qualification Data: For qualified Installer.
- D. Material Test Reports: From a qualified testing agency acceptable to authorities having jurisdiction indicating, interpreting, and certifying test results for compliance of insulation materials, sealers, attachments, cements, and jackets, with requirements indicated. Include dates of tests and test methods employed.
- E. Field quality-control reports.

1.4 QUALITY ASSURANCE

- A. Installer Qualifications: Skilled mechanics who have successfully completed an apprenticeship program or another craft training program certified by the Department of Labor, Bureau of Apprenticeship and Training.
- B. Fire-Test-Response Characteristics: Insulation and related materials shall have fire-test-response characteristics indicated, as determined by testing identical products per ASTM E 84, by a testing and inspecting agency acceptable to authorities having jurisdiction. Factory label insulation and jacket materials and adhesive, mastic, tapes, and cement material containers, with appropriate markings of applicable testing and inspecting agency.
 - 1. Insulation Installed Indoors: Flame-spread index of 25 or less, and smoke-developed index of 50 or less.
 - 2. Insulation Installed Outdoors: Flame-spread index of 75 or less, and smoke-developed index of 150 or less.

1.5 DELIVERY, STORAGE, AND HANDLING

- A. Packaging: Insulation material containers shall be marked by manufacturer with appropriate ASTM standard designation, type and grade, and maximum use temperature.

1.6 COORDINATION

- A. Coordinate size and location of supports, hangers, and insulation shields specified in Division 22 Section "Hangers and Supports for Plumbing Piping and Equipment."
- B. Coordinate clearance requirements with piping Installer for piping insulation application and equipment Installer for equipment insulation application. Before preparing piping Shop Drawings, establish and maintain clearance requirements for installation of insulation and field-applied jackets and finishes and for space required for maintenance.
- C. Coordinate installation and testing of heat tracing.

1.7 SCHEDULING

- A. Schedule insulation application after pressure testing systems and, where required, after installing and testing heat tracing. Insulation application may begin on segments that have satisfactory test results.
- B. Complete installation and concealment of plastic materials as rapidly as possible in each area of construction.

PART 2 - PRODUCTS

2.1 INSULATION MATERIALS

- A. Comply with requirements in Part 3 schedule articles for where insulating materials shall be applied.
- B. Products shall not contain asbestos, lead, mercury, or mercury compounds.
- C. Products that come in contact with stainless steel shall have a leachable chloride content of less than 50 ppm when tested according to ASTM C 871.
- D. Insulation materials for use on austenitic stainless steel shall be qualified as acceptable according to ASTM C 795.
- E. Foam insulation materials shall not use CFC or HCFC blowing agents in the manufacturing process.
- F. Flexible Elastomeric: Closed-cell, sponge- or expanded-rubber materials. Comply with ASTM C 534, Type I for tubular materials and Type II for sheet materials.
 - 1. Products: Subject to compliance with requirements, provide one of the following:
 - a. Aeroflex USA Inc.; Aerocel.
 - b. Armacell LLC; AP Armaflex.
 - c. RBX Corporation; Insul-Sheet 1800 and Insul-Tube 180.
- G. Mineral-Fiber Blanket Insulation: Mineral or glass fibers bonded with a thermosetting resin. Comply with ASTM C 553, Type II and ASTM C 1290, Type I. Factory-applied jacket requirements are specified in "Factory-Applied Jackets" Article.
 - 1. Products: Subject to compliance with requirements, provide one of the following:
 - a. CertainTeed Corp.; Duct Wrap.
 - b. Johns Manville; Microlite.
 - c. Knauf Insulation; Duct Wrap.
 - d. Manson Insulation Inc.; Alley Wrap.
 - e. Owens Corning; All-Service Duct Wrap.
- H. Mineral-Fiber Board Insulation: Mineral or glass fibers bonded with a thermosetting resin. Comply with ASTM C 612, Type IA or Type IB. For equipment applications, provide

insulation with factory-applied ASJ. Factory-applied jacket requirements are specified in "Factory-Applied Jackets" Article.

1. Products: Subject to compliance with requirements, provide one of the following:
 - a. CertainTeed Corp.; Commercial Board.
 - b. Fibrex Insulations Inc.; FBX.
 - c. Johns Manville; 800 Series Spin-Glas.
 - d. Knauf Insulation; Insulation Board.
 - e. Manson Insulation Inc.; AK Board.
 - f. Owens Corning; Fiberglass 700 Series.

- I. Mineral-Fiber, Preformed Pipe Insulation:
 1. Products: Subject to compliance with requirements, provide one of the following:
 - a. Fibrex Insulations Inc.; Coreplus 1200.
 - b. Johns Manville; Micro-Lok.
 - c. Knauf Insulation; 1000(Pipe Insulation.
 - d. Manson Insulation Inc.; Alley-K.
 - e. Owens Corning; Fiberglass Pipe Insulation.

 2. Type I, 850 deg F Materials: Mineral or glass fibers bonded with a thermosetting resin. Comply with ASTM C 547, Type I, Grade A, with factory-applied ASJ. Factory-applied jacket requirements are specified in "Factory-Applied Jackets" Article.

- J. Mineral-Fiber, Pipe and Tank Insulation: Mineral or glass fibers bonded with a thermosetting resin. Semirigid board material with factory-applied ASJ complying with ASTM C 1393, Type II or Type IIIA Category 2, or with properties similar to ASTM C 612, Type IB. Nominal density is 2.5 lb/cu. ft. or more. Thermal conductivity (k-value) at 100 deg F is 0.29 Btu x in./h x sq. ft. x deg F or less. Factory-applied jacket requirements are specified in "Factory-Applied Jackets" Article.
 1. Products: Subject to compliance with requirements, provide one of the following:
 - a. CertainTeed Corp.; CrimpWrap.
 - b. Johns Manville; MicroFlex.
 - c. Knauf Insulation; Pipe and Tank Insulation.
 - d. Manson Insulation Inc.; AK Flex.
 - e. Owens Corning; Fiberglass Pipe and Tank Insulation.

2.2 ADHESIVES

- A. Materials shall be compatible with insulation materials, jackets, and substrates and for bonding insulation to itself and to surfaces to be insulated, unless otherwise indicated.

- B. Flexible Elastomeric and Polyolefin Adhesive: Comply with MIL-A-24179A, Type II, Class I.
 1. Products: Subject to compliance with requirements, provide one of the following:

- a. Aeroflex USA Inc.; Aero seal.
 - b. Armacell LCC; 520 Adhesive.
 - c. Foster Products Corporation, H. B. Fuller Company; 85-75.
 - d. RBX Corporation; Rubatex Contact Adhesive.
- C. Mineral-Fiber Adhesive: Comply with MIL-A-3316C, Class 2, Grade A.
- 1. Products: Subject to compliance with requirements, provide one of the following:
 - a. Childers Products, Division of ITW; CP-82.
 - b. Foster Products Corporation, H. B. Fuller Company; 85-20.
 - c. ITW TACC, Division of Illinois Tool Works; S-90/80.
 - d. Marathon Industries, Inc.; 225.
 - e. Mon-Eco Industries, Inc.; 22-25.
- D. ASJ Adhesive, and FSK and PVDC Jacket Adhesive: Comply with MIL-A-3316C, Class 2, Grade A for bonding insulation jacket lap seams and joints.
- 1. Products: Subject to compliance with requirements, provide one of the following:
 - a. Childers Products, Division of ITW; CP-82.
 - b. Foster Products Corporation, H. B. Fuller Company; 85-20.
 - c. ITW TACC, Division of Illinois Tool Works; S-90/80.
 - d. Marathon Industries, Inc.; 225.
 - e. Mon-Eco Industries, Inc.; 22-25.
- E. PVC Jacket Adhesive: Compatible with PVC jacket.
- 1. Products: Subject to compliance with requirements, provide one of the following:
 - a. Dow Chemical Company (The); 739, Dow Silicone.
 - b. Johns-Manville; Zeston Perma-Weld, CEEL-TITE Solvent Welding Adhesive.
 - c. P.I.C. Plastics, Inc.; Welding Adhesive.
 - d. Red Devil, Inc.; Celulon Ultra Clear.
 - e. Speedline Corporation; Speedline Vinyl Adhesive.

2.3 MASTICS

- A. Materials shall be compatible with insulation materials, jackets, and substrates; comply with MIL-C-19565C, Type II.
- B. Vapor-Barrier Mastic: Water based; suitable for indoor and outdoor use on below ambient services.
- 1. Products: Subject to compliance with requirements, provide one of the following:
 - a. Childers Products, Division of ITW; CP-35.
 - b. Foster Products Corporation, H. B. Fuller Company; 30-90.
 - c. ITW TACC, Division of Illinois Tool Works; CB-50.
 - d. Marathon Industries, Inc.; 590.
 - e. Mon-Eco Industries, Inc.; 55-40.

- f. Vimasco Corporation; 749.
 2. Water-Vapor Permeance: ASTM E 96, Procedure B, 0.013 perm at 43-mil dry film thickness.
 3. Service Temperature Range: Minus 20 to plus 180 deg F.
 4. Solids Content: ASTM D 1644, 59 percent by volume and 71 percent by weight.
 5. Color: White.
- C. Vapor-Barrier Mastic: Solvent based; suitable for outdoor use on below ambient services.
1. Products: Subject to compliance with requirements, provide one of the following:
 - a. Childers Products, Division of ITW; Encacel.
 - b. Foster Products Corporation, H. B. Fuller Company; 60-95/60-96.
 - c. Marathon Industries, Inc.; 570.
 - d. Mon-Eco Industries, Inc.; 55-70.
 2. Water-Vapor Permeance: ASTM F 1249, 0.05 perm at 30-mil dry film thickness.
 3. Service Temperature Range: Minus 50 to plus 220 deg F.
 4. Solids Content: ASTM D 1644, 33 percent by volume and 46 percent by weight.
 5. Color: White.

2.4 LAGGING ADHESIVES

- A. Description: Comply with MIL-A-3316C Class I, Grade A and shall be compatible with insulation materials, jackets, and substrates.
1. Products: Subject to compliance with requirements, provide one of the following:
 - a. Childers Products, Division of ITW; CP-52.
 - b. Foster Products Corporation, H. B. Fuller Company; 81-42.
 - c. Marathon Industries, Inc.; 130.
 - d. Mon-Eco Industries, Inc.; 11-30.
 - e. Vimasco Corporation; 136.
 2. Fire-resistant, water-based lagging adhesive and coating for use indoors to adhere fire-resistant lagging cloths over equipment and pipe insulation.
 3. Service Temperature Range: Minus 50 to plus 180 deg F.
 4. Color: White.

2.5 SEALANTS

- A. FSK and Metal Jacket Flashing Sealants:
1. Products: Subject to compliance with requirements, provide one of the following:
 - a. Childers Products, Division of ITW; CP-76-8.
 - b. Foster Products Corporation, H. B. Fuller Company; 95-44.
 - c. Marathon Industries, Inc.; 405.

- d. Mon-Eco Industries, Inc.; 44-05.
 - e. Vimasco Corporation; 750.
2. Materials shall be compatible with insulation materials, jackets, and substrates.
 3. Fire- and water-resistant, flexible, elastomeric sealant.
 4. Service Temperature Range: Minus 40 to plus 250 deg F.
 5. Color: Aluminum.
- B. ASJ Flashing Sealants, and Vinyl, PVDC, and PVC Jacket Flashing Sealants:
1. Products: Subject to compliance with requirements, provide one of the following:
 - a. Childers Products, Division of ITW; CP-76.
 2. Materials shall be compatible with insulation materials, jackets, and substrates.
 3. Fire- and water-resistant, flexible, elastomeric sealant.
 4. Service Temperature Range: Minus 40 to plus 250 deg F.
 5. Color: White.

2.6 FACTORY-APPLIED JACKETS

- A. Insulation system schedules indicate factory-applied jackets on various applications. When factory-applied jackets are indicated, comply with the following:
1. ASJ: White, kraft-paper, fiberglass-reinforced scrim with aluminum-foil backing; complying with ASTM C 1136, Type I.
 2. ASJ-SSL: ASJ with self-sealing, pressure-sensitive, acrylic-based adhesive covered by a removable protective strip; complying with ASTM C 1136, Type I.
 3. FSK Jacket: Aluminum-foil, fiberglass-reinforced scrim with kraft-paper backing; complying with ASTM C 1136, Type II.
 4. PVDC Jacket for Indoor Applications: 4-mil- thick, white PVDC biaxially oriented barrier film with a permeance at 0.02 perms when tested according to ASTM E 96 and with a flame-spread index of 5 and a smoke-developed index of 20 when tested according to ASTM E 84.
 - a. Products: Subject to compliance with requirements, provide the following:
 - 1) Dow Chemical Company (The); Saran 540 Vapor Retarder Film and Saran 560 Vapor Retarder Film.
 5. PVDC Jacket for Outdoor Applications: 6-mil- thick, white PVDC biaxially oriented barrier film with a permeance at 0.01 perms when tested according to ASTM E 96 and with a flame-spread index of 5 and a smoke-developed index of 25 when tested according to ASTM E 84.
 - a. Products: Subject to compliance with requirements, provide the following:
 - 1) Dow Chemical Company (The); Saran 540 Vapor Retarder Film and Saran 560 Vapor Retarder Film.

6. PVDC-SSL Jacket: PVDC jacket with a self-sealing, pressure-sensitive, acrylic-based adhesive covered by a removable protective strip.
 - a. Products: Subject to compliance with requirements, provide the following:
 - 1) Dow Chemical Company (The); Saran 540 Vapor Retarder Film and Saran 560 Vapor Retarder Film.

2.7 FIELD-APPLIED JACKETS

- A. Field-applied jackets shall comply with ASTM C 921, Type I, unless otherwise indicated.
- B. PVC Jacket: High-impact-resistant, UV-resistant PVC complying with ASTM D 1784, Class 16354-C; thickness as scheduled; roll stock ready for shop or field cutting and forming. Thickness is indicated in field-applied jacket schedules.
 1. Products: Subject to compliance with requirements, provide one of the following:
 - a. Johns Manville; Zeston.
 - b. P.I.C. Plastics, Inc.; FG Series.
 - c. Proto PVC Corporation; LoSmoke.
 - d. Speedline Corporation; SmokeSafe.
 2. Adhesive: As recommended by jacket material manufacturer.
 3. Color: White.
 4. Factory-fabricated fitting covers to match jacket if available; otherwise, field fabricate.
 - a. Shapes: 45- and 90-degree, short- and long-radius elbows, tees, valves, flanges, unions, reducers, end caps, soil-pipe hubs, traps, mechanical joints, and P-trap and supply covers for lavatories.
 5. Factory-fabricated tank heads and tank side panels.
- C. Metal Jacket:
 1. Products: Subject to compliance with requirements, provide one of the following:
 - a. Childers Products, Division of ITW; Metal Jacketing Systems.
 - b. PABCO Metals Corporation; Surefit.
 - c. RPR Products, Inc.; Insul-Mate.
 2. Aluminum Jacket: Comply with ASTM B 209, Alloy 3003, 3005, 3105 or 5005, Temper H-14.
 - a. Sheet and roll stock ready for shop or field sizing or Factory cut and rolled to size.
 - b. Finish and thickness are indicated in field-applied jacket schedules.
 - c. Moisture Barrier for Indoor Applications: 1-mil- thick, heat-bonded polyethylene and kraft paper.

- d. Moisture Barrier for Outdoor Applications: 3-mil- thick, heat-bonded polyethylene and kraft paper.
- e. Factory-Fabricated Fitting Covers:
 - 1) Same material, finish, and thickness as jacket.
 - 2) Preformed 2-piece or gore, 45- and 90-degree, short- and long-radius elbows.
 - 3) Tee covers.
 - 4) Flange and union covers.
 - 5) End caps.
 - 6) Beveled collars.
 - 7) Valve covers.
 - 8) Field fabricate fitting covers only if factory-fabricated fitting covers are not available.

2.8 TAPES

- A. ASJ Tape: White vapor-retarder tape matching factory-applied jacket with acrylic adhesive, complying with ASTM C 1136.
 - 1. Products: Subject to compliance with requirements, provide one of the following:
 - a. Avery Dennison Corporation, Specialty Tapes Division; Fasson 0835.
 - b. Compac Corp.; 104 and 105.
 - c. Ideal Tape Co., Inc., an American Biltrite Company; 428 AWF ASJ.
 - d. Venture Tape; 1540 CW Plus, 1542 CW Plus, and 1542 CW Plus/SQ.
 - 2. Width: 3 inches.
 - 3. Thickness: 11.5 mils.
 - 4. Adhesion: 90 ounces force/inch in width.
 - 5. Elongation: 2 percent.
 - 6. Tensile Strength: 40 lbf/inch in width.
 - 7. ASJ Tape Disks and Squares: Precut disks or squares of ASJ tape.
- B. FSK Tape: Foil-face, vapor-retarder tape matching factory-applied jacket with acrylic adhesive; complying with ASTM C 1136.
 - 1. Products: Subject to compliance with requirements, provide one of the following:
 - a. Avery Dennison Corporation, Specialty Tapes Division; Fasson 0827.
 - b. Compac Corp.; 110 and 111.
 - c. Ideal Tape Co., Inc., an American Biltrite Company; 491 AWF FSK.
 - d. Venture Tape; 1525 CW, 1528 CW, and 1528 CW/SQ.
 - 2. Width: 3 inches.
 - 3. Thickness: 6.5 mils.
 - 4. Adhesion: 90 ounces force/inch in width.
 - 5. Elongation: 2 percent.
 - 6. Tensile Strength: 40 lbf/inch in width.
 - 7. FSK Tape Disks and Squares: Precut disks or squares of FSK tape.

- C. PVC Tape: White vapor-retarder tape matching field-applied PVC jacket with acrylic adhesive. Suitable for indoor and outdoor applications.
1. Products: Subject to compliance with requirements, provide one of the following:
 - a. Avery Dennison Corporation, Specialty Tapes Division; Fasson 0555.
 - b. Compac Corp.; 130.
 - c. Ideal Tape Co., Inc., an American Biltrite Company; 370 White PVC tape.
 - d. Venture Tape; 1506 CW NS.
 2. Width: 2 inches.
 3. Thickness: 6 mils.
 4. Adhesion: 64 ounces force/inch in width.
 5. Elongation: 500 percent.
 6. Tensile Strength: 18 lbf/inch in width.
- D. Aluminum-Foil Tape: Vapor-retarder tape with acrylic adhesive.
1. Products: Subject to compliance with requirements, provide one of the following:
 - a. Avery Dennison Corporation, Specialty Tapes Division; Fasson 0800.
 - b. Compac Corp.; 120.
 - c. Ideal Tape Co., Inc., an American Biltrite Company; 488 AWF.
 - d. Venture Tape; 3520 CW.
 2. Width: 2 inches.
 3. Thickness: 3.7 mils.
 4. Adhesion: 100 ounces force/inch in width.
 5. Elongation: 5 percent.
 6. Tensile Strength: 34 lbf/inch in width.
- E. PVDC Tape: White vapor-retarder PVDC tape with acrylic adhesive.
1. Products: Subject to compliance with requirements, provide the following:
 - a. Dow Chemical Company (The); Saran 540 Vapor Retarder Tape.
 2. Width: 3 inches.
 3. Film Thickness: 4 mils.
 4. Adhesive Thickness: 1.5 mils.
 5. Elongation at Break: 145 percent.
 6. Tensile Strength: 55 lbf/inch in width.

2.9 SECUREMENTS

- A. Bands:
1. Products: Subject to compliance with requirements, provide one of the following:
 - a. Childers Products; Bands.
 - b. PABCO Metals Corporation; Bands.

- c. RPR Products, Inc.; Bands.
 2. Stainless Steel: ASTM A 167 or ASTM A 240/A 240M, Type 304 or Type 316; 0.015 inch thick, 1/2 inch wide with wing or closed seal.
 3. Aluminum: ASTM B 209, Alloy 3003, 3005, 3105, or 5005; Temper H-14, 0.020 inch thick, 1/2 inch wide with wing or closed seal.
 4. Springs: Twin spring set constructed of stainless steel with ends flat and slotted to accept metal bands. Spring size determined by manufacturer for application.
- B. Insulation Pins and Hangers:
 1. Capacitor-Discharge-Weld Pins: Copper- or zinc-coated steel pin, fully annealed for capacitor-discharge welding, 0.106-inch- diameter shank, length to suit depth of insulation indicated.
 - a. Products: Subject to compliance with requirements, provide one of the following:
 - 1) AGM Industries, Inc.; CWP-1.
 - 2) GEMCO; CD.
 - 3) Midwest Fasteners, Inc.; CD.
 - 4) Nelson Stud Welding; TPA, TPC, and TPS.
 2. Cupped-Head, Capacitor-Discharge-Weld Pins: Copper- or zinc-coated steel pin, fully annealed for capacitor-discharge welding, 0.106-inch- diameter shank, length to suit depth of insulation indicated with integral 1-1/2-inch galvanized carbon-steel washer.
 - a. Products: Subject to compliance with requirements, provide one of the following:
 - 1) AGM Industries, Inc.; CWP-1.
 - 2) GEMCO; Cupped Head Weld Pin.
 - 3) Midwest Fasteners, Inc.; Cupped Head.
 - 4) Nelson Stud Welding; CHP.
 3. Metal, Adhesively Attached, Perforated-Base Insulation Hangers: Baseplate welded to projecting spindle that is capable of holding insulation, of thickness indicated, securely in position indicated when self-locking washer is in place. Comply with the following requirements:
 - a. Products: Subject to compliance with requirements, provide one of the following:
 - 1) AGM Industries, Inc.; Tactoo Insul-Hangers, Series T.
 - 2) GEMCO; Perforated Base.
 - 3) Midwest Fasteners, Inc.; Spindle.
 - b. Baseplate: Perforated, galvanized carbon-steel sheet, 0.030 inch thick by 2 inches square.

- c. Spindle: Aluminum or Stainless steel, fully annealed, 0.106-inch- diameter shank, length to suit depth of insulation indicated.
 - d. Adhesive: Recommended by hanger manufacturer. Product with demonstrated capability to bond insulation hanger securely to substrates indicated without damaging insulation, hangers, and substrates.
 4. Self-Sticking-Base Insulation Hangers: Baseplate welded to projecting spindle that is capable of holding insulation, of thickness indicated, securely in position indicated when self-locking washer is in place. Comply with the following requirements:
 - a. Products: Subject to compliance with requirements, provide one of the following:
 - 1) AGM Industries, Inc.; Tactoo Insul-Hangers, Series TSA.
 - 2) GEMCO; Press and Peel.
 - 3) Midwest Fasteners, Inc.; Self Stick.
 - b. Baseplate: Galvanized carbon-steel sheet, 0.030 inch thick by 2 inches square.
 - c. Spindle: Aluminum or Stainless steel], fully annealed, 0.106-inch- diameter shank, length to suit depth of insulation indicated.
 - d. Adhesive-backed base with a peel-off protective cover.
 5. Insulation-Retaining Washers: Self-locking washers formed from 0.016-inch- thick, aluminum or stainless-steel] sheet, with beveled edge sized as required to hold insulation securely in place but not less than 1-1/2 inches in diameter.
 - a. Products: Subject to compliance with requirements, provide one of the following:
 - 1) AGM Industries, Inc.; RC-150.
 - 2) GEMCO; R-150.
 - 3) Midwest Fasteners, Inc.; WA-150.
 - 4) Nelson Stud Welding; Speed Clips.
 - b. Protect ends with capped self-locking washers incorporating a spring steel insert to ensure permanent retention of cap in exposed locations.
- C. Staples: Outward-clinching insulation staples, nominal 3/4-inch- wide, stainless steel or Monel.
- D. Wire: 0.080-inch nickel-copper alloy or 0.062-inch soft-annealed, stainless steel.
 1. Manufacturers: Subject to compliance with requirements, provide products by one of the following:
 - a. C & F Wire.
 - b. Childers Products.
 - c. PABCO Metals Corporation.
 - d. RPR Products, Inc.

PART 3 - EXECUTION

3.1 EXAMINATION

- A. Examine substrates and conditions for compliance with requirements for installation and other conditions affecting performance of insulation application.
 - 1. Verify that systems and equipment to be insulated have been tested and are free of defects.
 - 2. Verify that surfaces to be insulated are clean and dry.
 - 3. Proceed with installation only after unsatisfactory conditions have been corrected.

3.2 PREPARATION

- A. Surface Preparation: Clean and dry surfaces to receive insulation. Remove materials that will adversely affect insulation application.
- B. Coordinate insulation installation with the trade installing heat tracing. Comply with requirements for heat tracing that apply to insulation.
- C. Mix insulating cements with clean potable water; if insulating cements are to be in contact with stainless-steel surfaces, use demineralized water.

3.3 GENERAL INSTALLATION REQUIREMENTS

- A. Install insulation materials, accessories, and finishes with smooth, straight, and even surfaces; free of voids throughout the length of equipment and piping including fittings, valves, and specialties.
- B. Install insulation materials, forms, vapor barriers or retarders, jackets, and thicknesses required for each item of equipment and pipe system as specified in insulation system schedules.
- C. Install accessories compatible with insulation materials and suitable for the service. Install accessories that do not corrode, soften, or otherwise attack insulation or jacket in either wet or dry state.
- D. Install insulation with longitudinal seams at top and bottom of horizontal runs.
- E. Install multiple layers of insulation with longitudinal and end seams staggered.
- F. Do not weld brackets, clips, or other attachment devices to piping, fittings, and specialties.
- G. Keep insulation materials dry during application and finishing.
- H. Install insulation with tight longitudinal seams and end joints. Bond seams and joints with adhesive recommended by insulation material manufacturer.

- I. Install insulation with least number of joints practical.
- J. Where vapor barrier is indicated, seal joints, seams, and penetrations in insulation at hangers, supports, anchors, and other projections with vapor-barrier mastic.
 - 1. Install insulation continuously through hangers and around anchor attachments.
 - 2. For insulation application where vapor barriers are indicated, extend insulation on anchor legs from point of attachment to supported item to point of attachment to structure. Taper and seal ends at attachment to structure with vapor-barrier mastic.
 - 3. Install insert materials and install insulation to tightly join the insert. Seal insulation to insulation inserts with adhesive or sealing compound recommended by insulation material manufacturer.
 - 4. Cover inserts with jacket material matching adjacent pipe insulation. Install shields over jacket, arranged to protect jacket from tear or puncture by hanger, support, and shield.
- K. Apply adhesives, mastics, and sealants at manufacturer's recommended coverage rate and wet and dry film thicknesses.
- L. Install insulation with factory-applied jackets as follows:
 - 1. Draw jacket tight and smooth.
 - 2. Cover circumferential joints with 3-inch- wide strips, of same material as insulation jacket. Secure strips with adhesive and outward clinching staples along both edges of strip, spaced 4 inches o.c.
 - 3. Overlap jacket longitudinal seams at least 1-1/2 inches. Install insulation with longitudinal seams at bottom of pipe. Clean and dry surface to receive self-sealing lap. Staple laps with outward clinching staples along edge at 4 inches o.c.
 - a. For below ambient services, apply vapor-barrier mastic over staples.
 - 4. Cover joints and seams with tape as recommended by insulation material manufacturer to maintain vapor seal.
 - 5. Where vapor barriers are indicated, apply vapor-barrier mastic on seams and joints and at ends adjacent to pipe flanges and fittings.
- M. Cut insulation in a manner to avoid compressing insulation more than 75 percent of its nominal thickness.
- N. Finish installation with systems at operating conditions. Repair joint separations and cracking due to thermal movement.
- O. Repair damaged insulation facings by applying same facing material over damaged areas. Extend patches at least 4 inches beyond damaged areas. Adhere, staple, and seal patches similar to butt joints.
- P. For above ambient services, do not install insulation to the following:
 - 1. Vibration-control devices.

2. Testing agency labels and stamps.
3. Nameplates and data plates.
4. Manholes.
5. Handholes.
6. Cleanouts.

3.4 PENETRATIONS

- A. Insulation Installation at Roof Penetrations: Install insulation continuously through roof penetrations.
1. Seal penetrations with flashing sealant.
 2. For applications requiring only indoor insulation, terminate insulation above roof surface and seal with joint sealant. For applications requiring indoor and outdoor insulation, install insulation for outdoor applications tightly joined to indoor insulation ends. Seal joint with joint sealant.
 3. Extend jacket of outdoor insulation outside roof flashing at least 2 inches below top of roof flashing.
 4. Seal jacket to roof flashing with flashing sealant.
- B. Insulation Installation at Underground Exterior Wall Penetrations: Terminate insulation flush with sleeve seal. Seal terminations with flashing sealant.
- C. Insulation Installation at Aboveground Exterior Wall Penetrations: Install insulation continuously through wall penetrations.
1. Seal penetrations with flashing sealant.
 2. For applications requiring only indoor insulation, terminate insulation inside wall surface and seal with joint sealant. For applications requiring indoor and outdoor insulation, install insulation for outdoor applications tightly joined to indoor insulation ends. Seal joint with joint sealant.
 3. Extend jacket of outdoor insulation outside wall flashing and overlap wall flashing at least 2 inches.
 4. Seal jacket to wall flashing with flashing sealant.
- D. Insulation Installation at Interior Wall and Partition Penetrations (That Are Not Fire Rated): Install insulation continuously through walls and partitions.
- E. Insulation Installation at Fire-Rated Wall and Partition Penetrations: Install insulation continuously through penetrations of fire-rated walls and partitions.
1. Comply with requirements in Division 07 Section "Penetration Firestopping" firestopping and fire-resistive joint sealers.
- F. Insulation Installation at Floor Penetrations:
1. Pipe: Install insulation continuously through floor penetrations.
 2. Seal penetrations through fire-rated assemblies. Comply with requirements in Division 07 Section "Penetration Firestopping."

3.5 EQUIPMENT, TANK, AND VESSEL INSULATION INSTALLATION

- A. Mineral Fiber, Pipe and Tank Insulation Installation for Tanks and Vessels: Secure insulation with adhesive and anchor pins and speed washers.
1. Apply adhesives according to manufacturer's recommended coverage rates per unit area, for 100 percent coverage of tank and vessel surfaces.
 2. Groove and score insulation materials to fit as closely as possible to equipment, including contours. Bevel insulation edges for cylindrical surfaces for tight joints. Stagger end joints.
 3. Protect exposed corners with secured corner angles.
 4. Install adhesively attached or self-sticking insulation hangers and speed washers on sides of tanks and vessels as follows:
 - a. Do not weld anchor pins to ASME-labeled pressure vessels.
 - b. Select insulation hangers and adhesive that are compatible with service temperature and with substrate.
 - c. On tanks and vessels, maximum anchor-pin spacing is 3 inches from insulation end joints, and 16 inches o.c. in both directions.
 - d. Do not overcompress insulation during installation.
 - e. Cut and miter insulation segments to fit curved sides and domed heads of tanks and vessels.
 - f. Impale insulation over anchor pins and attach speed washers.
 - g. Cut excess portion of pins extending beyond speed washers or bend parallel with insulation surface. Cover exposed pins and washers with tape matching insulation facing.
 5. Secure each layer of insulation with stainless-steel or aluminum bands. Select band material compatible with insulation materials.
 6. Where insulation hangers on equipment and vessels are not permitted or practical and where insulation support rings are not provided, install a girdle network for securing insulation. Stretch prestressed aircraft cable around the diameter of vessel and make taut with clamps, turnbuckles, or breather springs. Place one circumferential girdle around equipment approximately 6 inches from each end. Install wire or cable between two circumferential girdles 12 inches o.c. Install a wire ring around each end and around outer periphery of center openings, and stretch prestressed aircraft cable radially from the wire ring to nearest circumferential girdle. Install additional circumferential girdles along the body of equipment or tank at a minimum spacing of 48 inches o.c. Use this network for securing insulation with tie wire or bands.
 7. Stagger joints between insulation layers at least 3 inches.
 8. Install insulation in removable segments on equipment access doors, manholes, handholes, and other elements that require frequent removal for service and inspection.
 9. Bevel and seal insulation ends around manholes, handholes, ASME stamps, and nameplates.
 10. For equipment with surface temperatures below ambient, apply mastic to open ends, joints, seams, breaks, and punctures in insulation.
- B. Insulation Installation on Pumps:

1. Fabricate metal boxes lined with insulation. Fit boxes around pumps and coincide box joints with splits in pump casings. Fabricate joints with outward bolted flanges. Bolt flanges on 6-inch centers, starting at corners. Install 3/8-inch-diameter fasteners with wing nuts. Alternatively, secure the box sections together using a latching mechanism.
2. Fabricate boxes from aluminum or stainless steel, at least 0.040 inch thick.
3. For below ambient services, install a vapor barrier at seams, joints, and penetrations. Seal between flanges with replaceable gasket material to form a vapor barrier.

3.6 GENERAL PIPE INSULATION INSTALLATION

- A. Requirements in this article generally apply to all insulation materials except where more specific requirements are specified in various pipe insulation material installation articles.
- B. Insulation Installation on Fittings, Valves, Strainers, Flanges, and Unions:
 1. Install insulation over fittings, valves, strainers, flanges, unions, and other specialties with continuous thermal and vapor-retarder integrity, unless otherwise indicated.
 2. Insulate pipe elbows using preformed fitting insulation or mitered fittings made from same material and density as adjacent pipe insulation. Each piece shall be butted tightly against adjoining piece and bonded with adhesive. Fill joints, seams, voids, and irregular surfaces with insulating cement finished to a smooth, hard, and uniform contour that is uniform with adjoining pipe insulation.
 3. Insulate tee fittings with preformed fitting insulation or sectional pipe insulation of same material and thickness as used for adjacent pipe. Cut sectional pipe insulation to fit. Butt each section closely to the next and hold in place with tie wire. Bond pieces with adhesive.
 4. Insulate valves using preformed fitting insulation or sectional pipe insulation of same material, density, and thickness as used for adjacent pipe. Overlap adjoining pipe insulation by not less than two times the thickness of pipe insulation, or one pipe diameter, whichever is thicker. For valves, insulate up to and including the bonnets, valve stuffing-box studs, bolts, and nuts. Fill joints, seams, and irregular surfaces with insulating cement.
 5. Insulate strainers using preformed fitting insulation or sectional pipe insulation of same material, density, and thickness as used for adjacent pipe. Overlap adjoining pipe insulation by not less than two times the thickness of pipe insulation, or one pipe diameter, whichever is thicker. Fill joints, seams, and irregular surfaces with insulating cement. Insulate strainers so strainer basket flange or plug can be easily removed and replaced without damaging the insulation and jacket. Provide a removable reusable insulation cover. For below ambient services, provide a design that maintains vapor barrier.
 6. Insulate flanges and unions using a section of oversized preformed pipe insulation. Overlap adjoining pipe insulation by not less than two times the thickness of pipe insulation, or one pipe diameter, whichever is thicker.
 7. Cover segmented insulated surfaces with a layer of finishing cement and coat with a mastic. Install vapor-barrier mastic for below ambient services and a breather mastic for above ambient services. Reinforce the mastic with fabric-reinforcing mesh. Trowel the mastic to a smooth and well-shaped contour.

8. For services not specified to receive a field-applied jacket except for flexible elastomeric and polyolefin, install fitted PVC cover over elbows, tees, strainers, valves, flanges, and unions. Terminate ends with PVC end caps. Tape PVC covers to adjoining insulation facing using PVC tape.
 9. Stencil or label the outside insulation jacket of each union with the word "UNION." Match size and color of pipe labels.
- C. Insulate instrument connections for thermometers, pressure gages, pressure temperature taps, test connections, flow meters, sensors, switches, and transmitters on insulated pipes, vessels, and equipment. Shape insulation at these connections by tapering it to and around the connection with insulating cement and finish with finishing cement, mastic, and flashing sealant.
- D. Install removable insulation covers at locations indicated. Installation shall conform to the following:
1. Make removable flange and union insulation from sectional pipe insulation of same thickness as that on adjoining pipe. Install same insulation jacket as adjoining pipe insulation.
 2. When flange and union covers are made from sectional pipe insulation, extend insulation from flanges or union long at least two times the insulation thickness over adjacent pipe insulation on each side of flange or union. Secure flange cover in place with stainless-steel or aluminum bands. Select band material compatible with insulation and jacket.
 3. Construct removable valve insulation covers in same manner as for flanges except divide the two-part section on the vertical center line of valve body.
 4. When covers are made from block insulation, make two halves, each consisting of mitered blocks wired to stainless-steel fabric. Secure this wire frame, with its attached insulation, to flanges with tie wire. Extend insulation at least 2 inches over adjacent pipe insulation on each side of valve. Fill space between flange or union cover and pipe insulation with insulating cement. Finish cover assembly with insulating cement applied in two coats. After first coat is dry, apply and trowel second coat to a smooth finish.
 5. Unless a PVC jacket is indicated in field-applied jacket schedules, finish exposed surfaces with a metal jacket.

3.7 FLEXIBLE ELASTOMERIC INSULATION INSTALLATION

- A. Seal longitudinal seams and end joints with manufacturer's recommended adhesive to eliminate openings in insulation that allow passage of air to surface being insulated.
- B. Insulation Installation on Pipe Flanges:
1. Install pipe insulation to outer diameter of pipe flange.
 2. Make width of insulation section same as overall width of flange and bolts, plus twice the thickness of pipe insulation.
 3. Fill voids between inner circumference of flange insulation and outer circumference of adjacent straight pipe segments with cut sections of sheet insulation of same thickness as pipe insulation.

4. Secure insulation to flanges and seal seams with manufacturer's recommended adhesive to eliminate openings in insulation that allow passage of air to surface being insulated.

C. Insulation Installation on Pipe Fittings and Elbows:

1. Install mitered sections of pipe insulation.
2. Secure insulation materials and seal seams with manufacturer's recommended adhesive to eliminate openings in insulation that allow passage of air to surface being insulated.

D. Insulation Installation on Valves and Pipe Specialties:

1. Install preformed valve covers manufactured of same material as pipe insulation when available.
2. When preformed valve covers are not available, install cut sections of pipe and sheet insulation to valve body. Arrange insulation to permit access to packing and to allow valve operation without disturbing insulation.
3. Install insulation to flanges as specified for flange insulation application.
4. Secure insulation to valves and specialties and seal seams with manufacturer's recommended adhesive to eliminate openings in insulation that allow passage of air to surface being insulated.

3.8 MINERAL-FIBER INSULATION INSTALLATION

A. Insulation Installation on Straight Pipes and Tubes:

1. Secure each layer of preformed pipe insulation to pipe with wire or bands and tighten bands without deforming insulation materials.
2. Where vapor barriers are indicated, seal longitudinal seams, end joints, and protrusions with vapor-barrier mastic and joint sealant.
3. For insulation with factory-applied jackets on above ambient surfaces, secure laps with outward clinched staples at 6 inches o.c.
4. For insulation with factory-applied jackets on below ambient surfaces, do not staple longitudinal tabs but secure tabs with additional adhesive as recommended by insulation material manufacturer and seal with vapor-barrier mastic and flashing sealant.

B. Insulation Installation on Pipe Flanges:

1. Install preformed pipe insulation to outer diameter of pipe flange.
2. Make width of insulation section same as overall width of flange and bolts, plus twice the thickness of pipe insulation.
3. Fill voids between inner circumference of flange insulation and outer circumference of adjacent straight pipe segments with mineral-fiber blanket insulation.
4. Install jacket material with manufacturer's recommended adhesive, overlap seams at least 1 inch, and seal joints with flashing sealant.

C. Insulation Installation on Pipe Fittings and Elbows:

1. Install preformed sections of same material as straight segments of pipe insulation when available.
2. When preformed insulation elbows and fittings are not available, install mitered sections of pipe insulation, to a thickness equal to adjoining pipe insulation. Secure insulation materials with wire or bands.

D. Insulation Installation on Valves and Pipe Specialties:

1. Install preformed sections of same material as straight segments of pipe insulation when available.
2. When preformed sections are not available, install mitered sections of pipe insulation to valve body.
3. Arrange insulation to permit access to packing and to allow valve operation without disturbing insulation.
4. Install insulation to flanges as specified for flange insulation application.

3.9 FIELD-APPLIED JACKET INSTALLATION

A. Where FSK jackets are indicated, install as follows:

1. Draw jacket material smooth and tight.
2. Install lap or joint strips with same material as jacket.
3. Secure jacket to insulation with manufacturer's recommended adhesive.
4. Install jacket with 1-1/2-inch laps at longitudinal seams and 3-inch- wide joint strips at end joints.
5. Seal openings, punctures, and breaks in vapor-retarder jackets and exposed insulation with vapor-barrier mastic.

B. Where PVC jackets are indicated, install with 1-inch overlap at longitudinal seams and end joints; for horizontal applications, install with longitudinal seams along top and bottom of tanks and vessels. Seal with manufacturer's recommended adhesive.

1. Apply two continuous beads of adhesive to seams and joints, one bead under lap and the finish bead along seam and joint edge.

C. Where metal jackets are indicated, install with 2-inch overlap at longitudinal seams and end joints. Overlap longitudinal seams arranged to shed water. Seal end joints with weatherproof sealant recommended by insulation manufacturer. Secure jacket with stainless-steel bands 12 inches o.c. and at end joints.

D. Where PVDC jackets are indicated, install as follows:

1. Apply three separate wraps of filament tape per insulation section to secure pipe insulation to pipe prior to installation of PVDC jacket.
2. Wrap factory-presized jackets around individual pipe insulation sections with one end overlapping the previously installed sheet. Install presized jacket with an approximate overlap at butt joint of 2 inches over the previous section. Adhere lap seal using adhesive or SSL, and then apply 1-1/4 circumferences of appropriate PVDC tape around overlapped butt joint.

3. Continuous jacket can be spiral wrapped around a length of pipe insulation. Apply adhesive or PVDC tape at overlapped spiral edge. When electing to use adhesives, refer to manufacturer's written instructions for application of adhesives along this spiral edge to maintain a permanent bond.
4. Jacket can be wrapped in cigarette fashion along length of roll for insulation systems with an outer circumference of 33-1/2 inches or less. The 33-1/2-inch-circumference limit allows for 2-inch- overlap seal. Using the length of roll allows for longer sections of jacket to be installed at one time. Use adhesive on the lap seal. Visually inspect lap seal for "fishmouthing," and use PVDC tape along lap seal to secure joint.
5. Repair holes or tears in PVDC jacket by placing PVDC tape over the hole or tear and wrapping a minimum of 1-1/4 circumferences to avoid damage to tape edges.

3.10 FINISHES

- A. Equipment and Pipe Insulation with ASJ, Glass-Cloth, or Other Paintable Jacket Material: Paint jacket with paint system identified below and as specified in Division 09 painting Sections.
 1. Flat Acrylic Finish: Two finish coats over a primer that is compatible with jacket material and finish coat paint. Add fungicidal agent to render fabric mildew proof.
 - a. Finish Coat Material: Interior, flat, latex-emulsion size.
- B. Flexible Elastomeric Thermal Insulation: After adhesive has fully cured, apply two coats of insulation manufacturer's recommended protective coating.
- C. Color: Final color as selected by Architect. Vary first and second coats to allow visual inspection of the completed Work.
- D. Do not field paint aluminum or stainless-steel jackets.

3.11 Insulation shall have a k value that meets the minimum requirements of the latest International Energy Conservation Code (IECC).

3.12 EQUIPMENT INSULATION SCHEDULE

- A. Insulation materials and thicknesses are identified below. If more than one material is listed for a type of equipment, selection from materials listed is Contractor's option.
- B. Insulate indoor and outdoor equipment in paragraphs below that is not factory insulated.
- C. Steam-to-hot-water converter insulation shall be one of the following:
 1. Mineral-Fiber Board: 2 inches thick and 2-lb/cu. ft. nominal density.
 2. Mineral-Fiber Pipe and Tank: 2 inches thick.

- D. Unfired Hot Water Storage Tanks
 - 1. Mineral-Fiber Board: 3.5 inches thick and 2-lb/cu. ft. nominal density.
 - 2. Mineral-Fiber Pipe and Tank: 3.5 inches thick.
- E. Domestic water pump insulation shall be the following:
 - 1. Mineral-Fiber Board: 1 inch thick and 2-lb/cu. ft. nominal density.
- F. Domestic hot-water pump insulation shall be the following:
 - 1. Mineral-Fiber Board: 1 inch thick and 2-lb/cu. ft. nominal density.
- G. Domestic water, domestic chilled-water (potable), and domestic hot-water hydropneumatic tank insulation shall be one of the following:
 - 1. Mineral-Fiber Board: 1 inch thick and 2-lb/cu. ft. nominal density.
 - 2. Mineral-Fiber Pipe and Tank: 1 inch thick.

3.13 PIPING INSULATION SCHEDULE, GENERAL

- A. Acceptable preformed pipe and tubular insulation materials and thicknesses are identified for each piping system and pipe size range. If more than one material is listed for a piping system, selection from materials listed is Contractor's option.
- B. Items Not Insulated: Unless otherwise indicated, do not install insulation on the following:
 - 1. Drainage piping located in crawl spaces.
 - 2. Underground piping.
 - 3. Chrome-plated pipes and fittings unless there is a potential for personnel injury.

3.14 INDOOR PIPING INSULATION SCHEDULE

- A. Domestic Cold Water:
 - 1. NPS 1-1/2 and Smaller: Insulation shall be the following:
 - a. Mineral-Fiber, Preformed Pipe Insulation, Type I: 1 inch
 - 2. NPS 2 and Larger: Insulation shall be the following:
 - a. Mineral-Fiber, Preformed Pipe Insulation, Type I: 1-1/2 inch thick.
- B. Domestic Hot and Recirculated Hot Water:
 - 1. NPS 1-1/2 and Smaller: Insulation shall be the following:
 - a. Mineral-Fiber, Preformed Pipe Insulation, Type I: 1 inch.
 - 2. NPS 2 and Larger: Insulation shall be the following:

- a. Mineral-Fiber, Preformed Pipe Insulation, Type I: 1-1/2 inch thick.
 - C. Domestic Chilled Water (Potable):
 - 1. All Pipe Sizes: Insulation shall be the following:
 - a. Mineral-Fiber, Preformed Pipe Insulation, Type I: 1 inch.
 - D. Stormwater and Overflow:
 - 1. All Pipe Sizes: Insulation shall be the following:
 - a. Mineral-Fiber, Preformed Pipe Insulation, Type I: 1 inch.
 - E. Roof Drain and Overflow Drain Bodies:
 - 1. All Pipe Sizes: Insulation shall be the following:
 - a. Mineral-Fiber, Preformed Pipe Insulation, Type I: 1 inch.
 - F. Condensate and Equipment Drain Water below 60 Deg F:
 - 1. All Pipe Sizes: Insulation shall be the following:
 - a. Mineral-Fiber, Preformed Pipe Insulation, Type I: 1 inch.
- 3.15 INDOOR, FIELD-APPLIED JACKET SCHEDULE
- A. Install jacket over insulation material. For insulation with factory-applied jacket, install the field-applied jacket over the factory-applied jacket.
 - B. If more than one material is listed, selection from materials listed is Contractor's option.
 - C. Equipment, Concealed:
 - 1. None.
 - D. Equipment, Exposed, up to 48 Inches in Diameter or with Flat Surfaces up to 72 Inches.
 - 1. Aluminum, Stucco Embossed: 0.016 inch thick.
 - E. Equipment, Exposed, Larger Than 48 Inches in Diameter or with Flat Surfaces Larger Than 72 Inches:
 - 1. Aluminum, Stucco Embossed with 1-1/4-Inch- Deep Corrugations: 0.032 inch thick.
 - F. Piping, Concealed:
 - 1. None.

- G. Piping, Exposed:
 - 1. PVC: 20 mils thick.

3.16 OUTDOOR, FIELD-APPLIED JACKET SCHEDULE

- A. Install jacket over insulation material. For insulation with factory-applied jacket, install the field-applied jacket over the factory-applied jacket.
- B. If more than one material is listed, selection from materials listed is Contractor's option.
- C. Piping, Concealed:
 - 1. None.
- D. Piping, Exposed:
 - 1. PVC: 20 mils thick.

END OF SECTION

SECTION 22 11 16 - DOMESTIC WATER PIPING

PART 1 - GENERAL

1.1 RELATED DOCUMENTS

- A. Drawings and general provisions of the Contract, including General and Supplementary Conditions and Division 01 Specification Sections, apply to this Section.

1.2 SUMMARY

- A. Section Includes:
 - 1. Under-building-slab and aboveground domestic water pipes, tubes, and fittings inside buildings.
 - 2. Encasement for piping.

1.3 ACTION SUBMITTALS

- A. Product Data: For transition fittings and dielectric fittings.
- B. Delegated-Design Submittal:
 - 1. Design calculations and detailed fabrication and assembly of pipe anchors and alignment guides, hangers and supports for multiple pipes, expansion joints and loops, and attachments of the same to the building structure.
 - 2. Locations of pipe anchors and alignment guides and expansion joints and loops.
 - 3. Locations of and details for penetrations, including sleeves and sleeve seals for exterior walls, floors, basement, and foundation walls.

1.4 INFORMATIONAL SUBMITTALS

- A. System purging and disinfecting activities report.
- B. Field quality-control reports.

1.5 FIELD CONDITIONS

- A. Interruption of Existing Water Service: Do not interrupt water service to facilities occupied by Owner or others unless permitted under the following conditions and then only after arranging to provide temporary water service according to requirements indicated:
 - 1. Notify Construction Manager or owner no fewer than two days in advance of proposed interruption of water service.

PART 2 - PRODUCTS

2.1 PIPING MATERIALS

- A. Comply with requirements in "Piping Schedule" Article for applications of pipe, tube, fitting materials, and joining methods for specific services, service locations, and pipe sizes.
- B. Potable-water piping and components shall comply with NSF 14 and NSF 61. Plastic piping components shall be marked with "NSF-pw."
- C. All piping shall be American made and tested; no import pipe will be permitted.
- D. All exposed water supply piping in toilet rooms, custodial rooms and kitchens shall be chromium plated.
- E. All piping installed in or passing through a plenum must be plenum rated, fire wrapped, or installed in a metal conduit.

2.2 COPPER TUBE AND FITTINGS

- A. Hard Copper Tube: **ASTM B 88, Type K** and **ASTM B 88, Type L** water tube, drawn temper.
- B. Soft Copper Tube: **ASTM B 88, Type K** and **ASTM B 88, Type L** water tube, annealed temper.
- C. Cast-Copper, Solder-Joint Fittings: ASME B16.18, pressure fittings.
- D. Wrought-Copper, Solder-Joint Fittings: ASME B16.22, wrought-copper pressure fittings.
- E. Bronze Flanges: ASME B16.24, Class 150, with solder-joint ends.
- F. Copper Unions:
 - 1. MSS SP-123.
 - 2. Cast-copper-alloy, hexagonal-stock body.
 - 3. Ball-and-socket, metal-to-metal seating surfaces.
 - 4. Solder-joint or threaded ends.

2.3 DUCTILE-IRON PIPE AND FITTINGS

- A. Mechanical-Joint, Ductile-Iron Pipe:
 - 1. AWWA C151/A21.51, with mechanical-joint bell and plain spigot end unless grooved or flanged ends are indicated.
 - 2. Glands, Gaskets, and Bolts: AWWA C111/A21.11, ductile- or gray-iron glands, rubber gaskets, and steel bolts.

- B. Standard-Pattern, Mechanical-Joint Fittings:
 - 1. AWWA C110/A21.10, ductile or gray iron.
 - 2. Glands, Gaskets, and Bolts: AWWA C111/A21.11, ductile- or gray-iron glands, rubber gaskets, and steel bolts.
- C. Compact-Pattern, Mechanical-Joint Fittings:
 - 1. AWWA C153/A21.53, ductile iron.
 - 2. Glands, Gaskets, and Bolts: AWWA C111/A21.11, ductile- or gray-iron glands, rubber gaskets, and steel bolts.
- D. Plain-End, Ductile-Iron Pipe: AWWA C151/A21.51.

2.4 PIPING JOINING MATERIALS

- A. Pipe-Flange Gasket Materials:
 - 1. AWWA C110/A21.10, rubber, flat face, 1/8 inch thick or ASME B16.21, nonmetallic and asbestos free unless otherwise indicated.
 - 2. Full-face or ring type unless otherwise indicated.
- B. Metal, Pipe-Flange Bolts and Nuts: ASME B18.2.1, carbon steel unless otherwise indicated.
- C. Solder Filler Metals: ASTM B 32, lead-free alloys.
- D. Flux: ASTM B 813, water flushable.
- E. Brazing Filler Metals: AWS A5.8/A5.8M, BCuP Series, copper-phosphorus alloys for general-duty brazing unless otherwise indicated.
- F. PP Pipe and Fittings: Manufacturer's recommended fusion-weld system.

2.5 TRANSITION FITTINGS

- A. General Requirements:
 - 1. Same size as pipes to be joined.
 - 2. Pressure rating at least equal to pipes to be joined.
 - 3. End connections compatible with pipes to be joined.
- B. Fitting-Type Transition Couplings: Manufactured piping coupling or specified piping system fitting.
- C. Sleeve-Type Transition Coupling: AWWA C219.
 - 1. Manufacturers: Subject to compliance with requirements, provide products by one of the following:
 - a. Cascade Waterworks Manufacturing.

- b. Dresser, Inc.; Piping Specialties Products.
 - c. Ford Meter Box Company, Inc. (The).
 - d. JCM Industries.
 - e. Romac Industries, Inc.
 - f. Smith-Blair, Inc.; a Sensus company.
 - g. Viking Johnson.
- D. Plastic-to-Metal Transition Fittings:
- 1. Manufacturers: Subject to compliance with requirements, provide products by one of the following
 - a. Charlotte Pipe and Foundry Company.
 - b. Harvel Plastics, Inc.
 - c. Spears Manufacturing Company.
 - 2. Description:
 - a. CPVC or PVC one-piece fitting with manufacturer's Schedule 80 equivalent dimensions.
 - b. One end with threaded brass insert and one solvent-cement-socket or threaded end.
- E. Plastic-to-Metal Transition Unions:
- 1. Manufacturers: Subject to compliance with requirements, provide products by one of the following:
 - a. Colonial Engineering, Inc.
 - b. NIBCO Inc.
 - c. Spears Manufacturing Company.
 - 2. Description:
 - a. **CPVC** four-part union.
 - b. **Brass** threaded end.
 - c. **Solvent-cement-joint** plastic end.
 - d. Rubber O-ring.
 - e. Union nut.
- 2.6 DIELECTRIC FITTINGS
- A. General Requirements: Assembly of copper alloy and ferrous materials with separating nonconductive insulating material. Include end connections compatible with pipes to be joined.
- B. Dielectric Nipples and Waterways:
- 1. Manufacturers: Subject to compliance with requirements, provide products by one of the following:
 - a. Elster Perfection Corporation.
 - b. Grinnell Mechanical Products; Tyco Fire Products LP.
 - c. Matco-Norca.

- d. Clearflow/Perfection Corp.
 - e. Precision Plumbing Products, Inc.
 - f. Victaulic Company.
- 2. Standard: IAPMO PS 66 or ASTM F-1545-97.
 - 3. Electroplated steel nipple or waterway complying with ASTM F 1545 or ANSI/NSF-61 Compliant.
 - 4. Pressure Rating and Temperature: **300 psig at 225 deg F.**
 - 5. End Connections: Male threaded or grooved.
 - 6. Lining: Inert and noncorrosive, propylene or LTHS.

PART 3 - EXECUTION

3.1 EARTHWORK

- A. Comply with requirements in Division 31 Section "Earth Moving" for excavating, trenching, and backfilling.

3.2 PIPING INSTALLATION

- A. Drawing plans, schematics, and diagrams indicate general location and arrangement of domestic water piping. Indicated locations and arrangements are used to size pipe and calculate friction loss, expansion, and other design considerations. Install piping as indicated unless deviations to layout are approved on coordination drawings.
- B. Install copper tubing under building slab according to CDA's "Copper Tube Handbook."
- C. Install ductile-iron piping under building slab with restrained joints according to AWWA C600 and AWWA M41.
- D. Install underground **copper tube** in PE encasement according to ASTM A 674 or AWWA C105/A21.5.
- E. Install shutoff valve, hose-end drain valve, strainer, pressure gage, and test tee with valve inside the building at each domestic water-service entrance. Comply with requirements for pressure gages in Division 22 Section "Meters and Gages for Plumbing Piping" and with requirements for drain valves and strainers in Division 22 Section "Domestic Water Piping Specialties."
- F. Install shutoff valve immediately upstream of each dielectric fitting.
- G. Install water-pressure-reducing valves downstream from shutoff valves. Comply with requirements for pressure-reducing valves in Division 22 Section "Domestic Water Piping Specialties."
- H. Install domestic water piping level **with 0.25 percent slope downward toward drain** and plumb.
 - 1. Piping will be drained seasonally for freeze protection.

- I. Rough-in domestic water piping for water-meter installation according to utility company's requirements.
- J. Install seismic restraints on piping. Comply with SEI/ASCE 7 and with requirements for seismic-restraint devices in Division 22 Section "Vibration and Seismic Controls for Plumbing Piping and Equipment."
- K. Install piping concealed from view and protected from physical contact by building occupants unless otherwise indicated and except in equipment rooms and service areas.
- L. Install piping indicated to be exposed and piping in equipment rooms and service areas at right angles or parallel to building walls. Diagonal runs are prohibited unless specifically indicated otherwise.
- M. Install piping above accessible ceilings to allow sufficient space for ceiling panel removal, and coordinate with other services occupying that space.
- N. Install piping to permit valve servicing.
- O. Install nipples, unions, special fittings, and valves with pressure ratings the same as or higher than the system pressure rating used in applications below unless otherwise indicated.
- P. Install piping free of sags and bends.
- Q. Install fittings for changes in direction and branch connections.
- R. Install unions in copper tubing at final connection to each piece of equipment, machine, and specialty.
- S. Install pressure gages on suction and discharge piping for each plumbing pump and packaged booster pump. Comply with requirements for pressure gages in Division 22 Section "Meters and Gages for Plumbing Piping."
- T. Install thermostats in hot-water circulation piping. Comply with requirements for thermostats in Division 22 Section "Domestic Water Pumps."
- U. Install thermometers on **inlet** piping from each water heater. Comply with requirements for thermometers in Division 22 Section "Meters and Gages for Plumbing Piping."
- V. Install sleeves for piping penetrations of walls, ceilings, and floors. Comply with requirements for sleeves specified in Division 22 Section "Sleeves and Sleeve Seals for Plumbing Piping."
- W. Install sleeve seals for piping penetrations of concrete walls and slabs. Comply with requirements for sleeve seals specified in Division 22 Section "Sleeves and Sleeve Seals for Plumbing Piping."
- X. Install escutcheons for piping penetrations of walls, ceilings, and floors. Comply with requirements for escutcheons specified in Division 22 Section "Escutcheons for Plumbing Piping."

3.3 JOINT CONSTRUCTION

- A. Ream ends of pipes and tubes and remove burrs. Bevel plain ends of steel pipe.
- B. Remove scale, slag, dirt, and debris from inside and outside of pipes, tubes, and fittings before assembly.
- C. Threaded Joints: Thread pipe with tapered pipe threads according to ASME B1.20.1. Cut threads full and clean using sharp dies. Ream threaded pipe ends to remove burrs and restore full ID. Join pipe fittings and valves as follows:
 - 1. Apply appropriate tape or thread compound to external pipe threads.
 - 2. Damaged Threads: Do not use pipe or pipe fittings with threads that are corroded or damaged.
- D. Brazed Joints for Copper Tubing: Comply with CDA's "Copper Tube Handbook," "Braze Joints" chapter.
- E. Soldered Joints for Copper Tubing: Apply ASTM B 813, water-flushable flux to end of tube. Join copper tube and fittings according to ASTM B 828 or CDA's "Copper Tube Handbook."
- F. Joint Construction for Grooved-End, Ductile-Iron Piping: Make joints according to AWWA C606. Cut round-bottom grooves in ends of pipe at gasket-seat dimension required for specified (flexible or rigid) joint. Lubricate and install gasket over ends of pipes or pipe and fitting. Install coupling housing sections over gasket with keys seated in piping grooves. Install and tighten housing bolts.
- G. Joint Construction for Grooved-End Steel Piping: Make joints according to AWWA C606. Roll groove ends of pipe as specified. Lubricate and install gasket over ends of pipes or pipe and fitting. Install coupling housing sections over gasket with keys seated in piping grooves. Install and tighten housing bolts.
- H. Flanged Joints: Select appropriate asbestos-free, nonmetallic gasket material in size, type, and thickness suitable for domestic water service. Join flanges with gasket and bolts according to ASME B31.9.
- I. Joints for Dissimilar-Material Piping: Make joints using adapters compatible with materials of both piping systems.

3.4 TRANSITION FITTING INSTALLATION

- A. Install transition couplings at joints of dissimilar piping.
- B. Transition Fittings in Underground Domestic Water Piping:
 - 1. Fittings for NPS 1-1/2 and Smaller: Fitting-type coupling.
 - 2. Fittings for NPS 2 and Larger: Sleeve-type coupling.
- C. Transition Fittings in Aboveground Domestic Water Piping NPS 2 and Smaller: Plastic-to-metal transition **fittings**.

3.5 DIELECTRIC FITTING INSTALLATION

- A. Install dielectric fittings in piping at connections of dissimilar metal piping and tubing.
- B. Dielectric Fittings for NPS 2 and Smaller: Use **dielectric nipples/waterways**.
- C. Dielectric Fittings for NPS 2-1/2 to NPS 4: Use **dielectric nipples/waterways**.
- D. Dielectric Fittings for NPS 5 and Larger: Use **dielectric nipples/waterways**.

3.6 HANGER AND SUPPORT INSTALLATION

- A. Comply with requirements for seismic-restraint devices in Division 22 Section "Vibration and Seismic Controls for Plumbing Piping and Equipment."
- B. Comply with requirements for pipe hanger, support products, and installation in Division 22 Section "Hangers and Supports for Plumbing Piping and Equipment."
 - 1. Vertical Piping: MSS Type 8 or 42, clamps.
 - 2. Individual, Straight, Horizontal Piping Runs:
 - a. 100 Feet and Less: MSS Type 1, adjustable, steel clevis hangers.
 - b. Longer Than 100 Feet: MSS Type 43, adjustable roller hangers.
 - c. Longer Than 100 Feet if Indicated: MSS Type 49, spring cushion rolls.
 - 3. Multiple, Straight, Horizontal Piping Runs 100 Feet or Longer: MSS Type 44, pipe rolls. Support pipe rolls on trapeze.
 - 4. Base of Vertical Piping: MSS Type 52, spring hangers.
- C. Support vertical piping and tubing at base and at each floor.
- D. Rod diameter may be reduced one size for double-rod hangers, to a minimum of 3/8 inch.
- E. Install hangers for copper tubing with the following maximum horizontal spacing and minimum rod diameters:
 - 1. NPS 3/4 and Smaller: 60 inches with 3/8-inch rod.
 - 2. NPS 1 and NPS 1-1/4: 72 inches with 3/8-inch rod.
 - 3. NPS 1-1/2 and NPS 2: 96 inches with 3/8-inch rod.
 - 4. NPS 2-1/2: 108 inches with 1/2-inch rod.
 - 5. NPS 3 to NPS 5: 10 feet with 1/2-inch rod.
 - 6. NPS 6: 10 feet with 5/8-inch rod.
 - 7. NPS 8: 10 feet with 3/4-inch rod.
- F. Install supports for vertical copper tubing every 10 feet.
- G. Install hangers for steel piping with the following maximum horizontal spacing and minimum rod diameters:
 - 1. NPS 1-1/4 and Smaller: 84 inches with 3/8-inch rod.

2. NPS 1-1/2: 108 inches with 3/8-inch rod.
3. NPS 2: 10 feet with 3/8-inch rod.
4. NPS 2-1/2: 11 feet with 1/2-inch rod.
5. NPS 3 and NPS 3-1/2: 12 feet with 1/2-inch rod.
6. NPS 4 and NPS 5: 12 feet with 5/8-inch rod.
7. NPS 6: 12 feet with 3/4-inch rod.
8. NPS 8 to NPS 12: 12 feet with 7/8-inch rod.

- H. Install supports for vertical steel piping every 15 feet.
- I. Install supports for vertical PP piping every 60 inches for NPS 1 and smaller, and every 72 inches for NPS 1-1/4 and larger.
- J. Support piping and tubing not listed in this article according to MSS SP-69 and manufacturer's written instructions.

3.7 CONNECTIONS

- A. Drawings indicate general arrangement of piping, fittings, and specialties.
- B. When installing piping adjacent to equipment and machines, allow space for service and maintenance.
- C. Connect domestic water piping to exterior water-service piping. Use transition fitting to join dissimilar piping materials.
- D. Connect domestic water piping to water-service piping with shutoff valve; extend and connect to the following:
1. Domestic Water Booster Pumps: Cold-water suction and discharge piping.
 2. Water Heaters: Cold-water inlet and hot-water outlet piping in sizes indicated, but not smaller than sizes of water heater connections.
 3. Plumbing Fixtures: Cold- and hot-water-supply piping in sizes indicated, but not smaller than that required by plumbing code. Comply with requirements for connection sizes in Division 22 plumbing fixture Sections.
 4. Equipment: Cold- and hot-water-supply piping as indicated, but not smaller than equipment connections. Provide shutoff valve and union for each connection. Use flanges instead of unions for NPS 2-1/2 and larger.

3.8 IDENTIFICATION

- A. Identify system components. Comply with requirements for identification materials and installation in Division 22 Section "Identification for Plumbing Piping and Equipment."
- B. Label pressure piping with system operating pressure.

3.9 FIELD QUALITY CONTROL

- A. Perform the following tests and inspections:

1. Piping Inspections:
 - a. Do not enclose, cover, or put piping into operation until it has been inspected and approved by authorities having jurisdiction.
 - b. During installation, notify authorities having jurisdiction at least one day before inspection must be made. Perform tests specified below in presence of authorities having jurisdiction:
 - 1) Roughing-in Inspection: Arrange for inspection of piping before concealing or closing in after roughing in and before setting fixtures.
 - 2) Final Inspection: Arrange for authorities having jurisdiction to observe tests specified in "Piping Tests" Subparagraph below and to ensure compliance with requirements.
 - c. Reinspection: If authorities having jurisdiction find that piping will not pass tests or inspections, make required corrections and arrange for reinspection.
 - d. Reports: Prepare inspection reports and have them signed by authorities having jurisdiction.

2. Piping Tests:
 - a. Fill domestic water piping. Check components to determine that they are not air bound and that piping is full of water.
 - b. Test for leaks and defects in new piping and parts of existing piping that have been altered, extended, or repaired. If testing is performed in segments, submit a separate report for each test, complete with diagram of portion of piping tested.
 - c. Leave new, altered, extended, or replaced domestic water piping uncovered and unconcealed until it has been tested and approved. Expose work that was covered or concealed before it was tested.
 - d. Cap and subject piping to static water pressure of 50 psig above operating pressure, without exceeding pressure rating of piping system materials. Isolate test source and allow it to stand for four hours. Leaks and loss in test pressure constitute defects that must be repaired.
 - e. Repair leaks and defects with new materials, and retest piping or portion thereof until satisfactory results are obtained.
 - f. Prepare reports for tests and for corrective action required.

B. Domestic water piping will be considered defective if it does not pass tests and inspections.

C. Prepare test and inspection reports.

3.10 ADJUSTING

- A. Perform the following adjustments before operation:
 1. Close drain valves, hydrants, and hose bibbs.
 2. Open shutoff valves to fully open position.

3. Open throttling valves to proper setting.
4. Adjust balancing valves in hot-water-circulation return piping to provide adequate flow.
 - a. Manually adjust ball-type balancing valves in hot-water-circulation return piping to provide hot-water flow in each branch.
 - b. Adjust calibrated balancing valves to flows indicated.
5. Remove plugs used during testing of piping and for temporary sealing of piping during installation.
6. Remove and clean strainer screens. Close drain valves and replace drain plugs.
7. Remove filter cartridges from housings and verify that cartridges are as specified for application where used and are clean and ready for use.
8. Check plumbing specialties and verify proper settings, adjustments, and operation.

3.11 CLEANING

A. Clean and disinfect potable domestic water piping as follows:

1. Purge new piping and parts of existing piping that have been altered, extended, or repaired before using.
2. Use purging and disinfecting procedures prescribed by authorities having jurisdiction; if methods are not prescribed, use procedures described in either AWWA C651 or AWWA C652 or follow procedures described below:
 - a. Flush piping system with clean, potable water until dirty water does not appear at outlets.
 - b. Fill and isolate system according to either of the following:
 - 1) Fill system or part thereof with water/chlorine solution with at least 50 ppm of chlorine. Isolate with valves and allow to stand for 24 hours.
 - 2) Fill system or part thereof with water/chlorine solution with at least 200 ppm of chlorine. Isolate and allow to stand for three hours.
 - c. Flush system with clean, potable water until no chlorine is in water coming from system after the standing time.
 - d. Repeat procedures if biological examination shows contamination.
 - e. Submit water samples in sterile bottles to authorities having jurisdiction.

B. Clean non-potable domestic water piping as follows:

1. Purge new piping and parts of existing piping that have been altered, extended, or repaired before using.
2. Use purging procedures prescribed by authorities having jurisdiction or; if methods are not prescribed, follow procedures described below:
 - a. Flush piping system with clean, potable water until dirty water does not appear at outlets.

- b. Submit water samples in sterile bottles to authorities having jurisdiction. Repeat procedures if biological examination shows contamination.
- C. Prepare and submit reports of purging and disinfecting activities. Include copies of water-sample approvals from authorities having jurisdiction.
- D. Clean interior of domestic water piping system. Remove dirt and debris as work progresses.

3.12 PIPING SCHEDULE

- A. Some piping types and sizes mentioned in this section may not be used on this project.
- B. Transition and special fittings with pressure ratings at least equal to piping rating may be used in applications below unless otherwise indicated.
- C. Flanges and unions may be used for aboveground piping joints unless otherwise indicated.
- D. All exposed water supply piping in toilet rooms, custodial rooms and kitchens shall be chromium plated.
- E. Under-building-slab, domestic water, building-service piping, NPS 3 and smaller, shall be the following:
 1. Soft copper tube, **ASTM B 88, Type K; wrought-copper, solder-joint fittings;** and brazed joints.
- F. Under-building-slab, domestic water, building-service piping, NPS 4 to NPS 8 and larger, shall be the following:
 1. Soft copper tube, **ASTM B 88, Type K;** wrought-copper, solder-joint fittings; and brazed joints.
- G. Under-building-slab, combined domestic water, building-service, and fire-service-main piping, NPS 6 to NPS 12, shall be the following:
 1. Mechanical-joint, ductile-iron pipe; **standard-**, mechanical-joint fittings; and mechanical joints.
- H. Under-building-slab, domestic water piping, **NPS 2 and smaller**, shall be the following:
 1. **Hard** copper tube; **ASTM B 88, Type K; wrought-copper, solder-joint fittings;** and brazed joints.
- I. Aboveground domestic water piping, **NPS 2 and smaller**, shall be one of the following:
 1. Hard copper tube, **ASTM B 88, Type L; cast-copper, solder-joint fittings;** and **soldered** joints.
- J. Aboveground domestic water piping, **NPS 2-1/2 to NPS 4**, shall be one of the following:

1. Hard copper tube, **ASTM B 88, Type L; cast-copper**, solder-joint fittings; and **soldered** joints.
- K. Aboveground domestic water piping, **NPS 5** and larger, shall be one of the following:
1. Hard copper tube, **ASTM B 88, Type L; cast-copper**, solder-joint fittings; and **soldered** joints.

3.13 VALVE SCHEDULE

- A. Drawings indicate valve types to be used. Where specific valve types are not indicated, the following requirements apply:
1. Shutoff Duty: Use **ball** for piping NPS 3 and smaller. Use **butterfly**, with flanged ends for piping NPS 4 and larger.
 2. Throttling Duty: Use **ball** valves for piping NPS 2 and smaller. Use **butterfly** valves with flanged ends for piping NPS 2-1/2 and larger.
 3. Hot-Water Circulation Piping, Balancing Duty: **Calibrated** balancing valves.
 4. Drain Duty: Hose-end drain valves.
- B. Use check valves to maintain correct direction of domestic water flow to and from equipment.

END OF SECTION

THIS PAGE INTENTIONALLY BLANK

SECTION 22 11 19 - DOMESTIC WATER PIPING SPECIALTIES

PART 1 - GENERAL

1.1 RELATED DOCUMENTS

- A. Drawings and general provisions of the Contract, including General and Supplementary Conditions and Division 01 Specification Sections, apply to this Section.

1.2 SUMMARY

- A. This Section includes the following domestic water piping specialties:
 - 1. Vacuum breakers.
 - 2. Backflow preventers.
 - 3. Water pressure-reducing valves.
 - 4. Balancing valves.
 - 5. Temperature-actuated water mixing valves.
 - 6. Strainers.
 - 7. Outlet boxes.
 - 8. Hose bibbs.
 - 9. Wall hydrants.
 - 10. Drain valves.
 - 11. Water hammer arresters.
- B. Related Sections include the following:
 - 1. Division 22 Section "Meters and Gages for Plumbing Piping" for thermometers, pressure gages, and flow meters in domestic water piping.
 - 2. Division 22 Section "Emergency Plumbing Fixtures" for water tempering equipment.
 - 3. Division 22 Section "Drinking Fountains and Water Coolers" for water filters for water coolers.

1.3 PERFORMANCE REQUIREMENTS

- A. Minimum Working Pressure for Domestic Water Piping Specialties: 125 psig, unless otherwise indicated.

1.4 SUBMITTALS

- A. Product Data: For each type of product indicated.
- B. Shop Drawings: Diagram power, signal, and control wiring.
- C. Field quality-control test reports.

- D. Operation and Maintenance Data: For domestic water piping specialties to include in emergency, operation, and maintenance manuals.

1.5 QUALITY ASSURANCE

- A. Electrical Components, Devices, and Accessories: Listed and labeled as defined in NFPA 70, Article 100, by a testing agency acceptable to authorities having jurisdiction, and marked for intended use.
- B. NSF Compliance:
 - 1. Comply with NSF 14, "Plastics Piping Components and Related Materials," for plastic domestic water piping components.
 - 2. Comply with NSF 61, "Drinking Water System Components - Health Effects; Sections 1 through 9."

PART 2 - PRODUCTS

2.1 VACUUM BREAKERS

- A. Pipe-Applied, Atmospheric-Type Vacuum Breakers:
 - 1. Manufacturers: Subject to compliance with requirements, provide products by one of the following:
 - a. Ames Co.
 - b. Cash Acme.
 - c. Conbraco Industries, Inc.
 - d. FEBCO; SPX Valves & Controls.
 - e. Rain Bird Corporation.
 - f. Toro Company (The); Irrigation Div.
 - g. Watts Industries, Inc.; Water Products Div.
 - h. Zurn Plumbing Products Group; Wilkins Div.
 - 2. Standard: ASSE 1001.
 - 3. Size: NPS 1/4 to NPS 3, as required to match connected piping.
 - 4. Body: Bronze.
 - 5. Inlet and Outlet Connections: Threaded.
 - 6. Finish: Chrome plated.
- B. Hose-Connection Vacuum Breakers:
 - 1. Manufacturers: Subject to compliance with requirements, provide products by one of the following:
 - a. Arrowhead Brass Products, Inc.
 - b. Cash Acme.
 - c. Conbraco Industries, Inc.
 - d. MIFAB, Inc.

- e. Prier Products, Inc.
 - f. Watts Industries, Inc.; Water Products Div.
 - g. Woodford Manufacturing Company.
 - h. Zurn Plumbing Products Group; Light Commercial Operation.
 - i. Zurn Plumbing Products Group; Wilkins Div.
2. Standard: ASSE 1011.
 3. Body: Bronze, nonremovable, with manual drain.
 4. Outlet Connection: Garden-hose threaded complying with ASME B1.20.7.
 5. Finish: Chrome or nickel plated.
- C. Pressure Vacuum Breakers:
1. Manufacturers: Subject to compliance with requirements, provide products by one of the following:
 - a. Ames Co.
 - b. Conbraco Industries, Inc.
 - c. FEBCO; SPX Valves & Controls.
 - d. Flomatic Corporation.
 - e. Toro Company (The); Irrigation Div.
 - f. Watts Industries, Inc.; Water Products Div.
 - g. Zurn Plumbing Products Group; Wilkins Div.
 2. Standard: ASSE 1020.
 3. Operation: Continuous-pressure applications.
 4. Pressure Loss: 5 psig maximum, through middle 1/3 of flow range.
 5. Accessories:
 - a. Valves: Ball type, on inlet and outlet.
- D. Spill-Resistant Vacuum Breakers:
1. Manufacturers: Subject to compliance with requirements, provide products by one of the following:
 - a. Conbraco Industries, Inc.
 - b. Watts Industries, Inc.; Water Products Div.
 2. Standard: ASSE 1056.
 3. Operation: Continuous-pressure applications.
 4. Accessories:
 - a. Valves: Ball type, on inlet and outlet.
- 2.2 BACKFLOW PREVENTERS
- A. Reduced-Pressure-Principle Backflow Preventers:

1. Manufacturers: Subject to compliance with requirements, provide products by one of the following:
 - a. Ames Co.
 - b. Conbraco Industries, Inc.
 - c. FEBCO; SPX Valves & Controls.
 - d. Flomatic Corporation.
 - e. Watts Industries, Inc.; Water Products Div.
 - f. Zurn Plumbing Products Group; Wilkins Div.
 2. Standard: ASSE 1013.
 3. Operation: Continuous-pressure applications.
 4. Pressure Loss: 12 psig maximum, through middle 1/3 of flow range.
 5. Body: Bronze for NPS 2 and smaller; cast iron with interior lining complying with AWWA C550 or that is FDA approved] for NPS 2-1/2 and larger.
 6. End Connections: Threaded for NPS 2 and smaller; flanged for NPS 2-1/2 and larger.
 7. Accessories:
 - a. Valves: Ball type with threaded ends on inlet and outlet of NPS 2 and smaller; outside screw and yoke gate-type with flanged ends on inlet and outlet of NPS 2-1/2 and larger.
 - b. Air-Gap Fitting: ASME A112.1.2, matching backflow-preventer connection.
- B. Double-Check Backflow-Prevention Assemblies:
1. Manufacturers: Subject to compliance with requirements, provide products by one of the following:
 - a. Ames Co.
 - b. Conbraco Industries, Inc.
 - c. FEBCO; SPX Valves & Controls.
 - d. Flomatic Corporation.
 - e. Watts Industries, Inc.; Water Products Div.
 - f. Zurn Plumbing Products Group; Wilkins Div.
 2. Standard: ASSE 1015.
 3. Operation: Continuous-pressure applications, unless otherwise indicated.
 4. Pressure Loss: 5 psig maximum, through middle 1/3 of flow range.
 5. Body: Bronze for NPS 2 and smaller; cast iron with interior lining complying with AWWA C550 or that is FDA approved for NPS 2-1/2 and larger.
 6. End Connections: Threaded for NPS 2 and smaller; [flanged] <Insert type> for NPS 2-1/2 and larger.
 7. Accessories:
 - a. Valves: Ball type with threaded ends on inlet and outlet of NPS 2 and smaller; outside screw and yoke gate-type with flanged ends on inlet and outlet of NPS 2-1/2 and larger.
- C. Beverage-Dispensing-Equipment Backflow Preventers:

1. Manufacturers: Subject to compliance with requirements, provide products by one of the following:
 - a. Conbraco Industries, Inc.
 - b. Watts Industries, Inc.; Water Products Div.
 - c. Zurn Plumbing Products Group; Wilkins Div.
 2. Standard: ASSE 1022.
 3. Operation: Continuous-pressure applications.
 4. Size: NPS 1/4 or NPS 3/8.
 5. Body: Stainless steel.
 6. End Connections: Threaded.
- D. Dual-Check-Valve Backflow Preventers:
1. Manufacturers: Subject to compliance with requirements, provide products by one of the following:
 - a. Cash Acme.
 - b. Conbraco Industries, Inc.
 - c. FEBCO; SPX Valves & Controls.
 - d. Flomatic Corporation.
 - e. Ford Meter Box Company, Inc. (The).
 - f. Honeywell Water Controls.
 - g. McDonald, A. Y. Mfg. Co.
 - h. Mueller Co.; Water Products Div.
 - i. Watts Industries, Inc.; Water Products Div.
 - j. Zurn Plumbing Products Group; Wilkins Div.
 2. Standard: ASSE 1024.
 3. Operation: Continuous-pressure applications.
 4. Body: Bronze with union inlet.
- E. Carbonated-Beverage-Dispenser, Dual-Check-Valve Backflow Preventers:
1. Manufacturers: Subject to compliance with requirements, provide products by one of the following:
 - a. Cash Acme.
 - b. Lancer Corporation.
 - c. Watts Industries, Inc.; Water Products Div.
 2. Standard: ASSE 1032.
 3. Operation: Continuous-pressure applications.
 4. Size: NPS 1/4 or NPS 3/8.
 5. Body: Stainless steel.
 6. End Connections: Threaded.

2.3 WATER PRESSURE-REDUCING VALVES

A. Water Regulators: (Direct Type)

1. Manufacturers: Subject to compliance with requirements, provide products by one of the following:
 - a. Cash Acme.
 - b. Conbraco Industries, Inc.
 - c. Honeywell Water Controls.
 - d. Watts Industries, Inc.; Water Products Div.
 - e. Zurn Plumbing Products Group; Wilkins Div.
2. Standard: ASSE 1003.
3. Pressure Rating: Initial working pressure of 150 psig.
4. Body: Bronze, provide chrome-plated finish if connected to chrome plated or stainless steel piping for NPS 2 and smaller; cast iron with interior lining complying with AWWA C550 or that is FDA approved for NPS 2-1/2 and NPS 3.
5. Valves for Booster Heater Water Supply: Include integral bypass.
6. End Connections: Threaded for NPS 2 and smaller; flanged for NPS 2-1/2 and NPS 3.

B. Water Control Valves: (Pilot type)

1. Manufacturers: Subject to compliance with requirements, provide products by one of the following:
 - a. CLA-VAL Automatic Control Valves.
 - b. Mifab Corp; Beeco.
 - c. Watts Industries, Inc.; Ames Fluid Control Systems.
 - d. Watts Industries, Inc.; Watts ACV.
 - e. Zurn Plumbing Products Group; Wilkins Div.
2. Description: Pilot-operation, diaphragm-type, single-seated main water control valve.
3. Pressure Rating: Initial working pressure of 150 psig minimum with AWWA C550 or FDA-approved, interior epoxy coating. Include small pilot-control valve, restrictor device, specialty fittings, and sensor piping.
4. Main Valve Body: Cast- or ductile-iron body with AWWA C550 or FDA-approved, interior epoxy coating; or stainless-steel body.
5. End Connections: Threaded for NPS 2 and smaller; flanged for NPS 2-1/2 and larger.

2.4 BALANCING VALVES

A. Copper-Alloy Calibrated Balancing Valves:

1. Manufacturers: Subject to compliance with requirements, provide products by one of the following:

- a. Armstrong International, Inc.
 - b. Flo Fab Inc.
 - c. ITT Industries; Bell & Gossett Div.
 - d. NIBCO INC.
 - e. TAC Americas.
 - f. Taco, Inc.
 - g. Victaulic
 - h. Watts Industries, Inc.; Water Products Div.
2. Type: Ball or Y-pattern globe valve with two readout ports and memory setting indicator.
 3. Body: bronze,
 4. Size: Same as connected piping, but not larger than NPS 2.
 5. Accessories: Meter hoses, fittings, valves, differential pressure meter, and carrying case.
- B. Cast-Iron Calibrated Balancing Valves:
1. Manufacturers: Subject to compliance with requirements, provide products by one of the following:
 - a. Armstrong International, Inc.
 - b. Flo Fab Inc.
 - c. ITT Industries; Bell & Gossett Div.
 - d. NIBCO INC.
 - e. TAC Americas.
 - f. Watts Industries, Inc.; Water Products Div.
 2. Type: Adjustable with Y-pattern globe valve, two readout ports, and memory-setting indicator.
 3. Size: Same as connected piping, but not smaller than NPS 2-1/2.
- C. Accessories: Meter hoses, fittings, valves, differential pressure meter, and carrying case.

2.5 TEMPERATURE-ACTUATED WATER MIXING VALVES

- A. Water-Temperature Limiting Devices:
1. Manufacturers: Subject to compliance with requirements, provide products by one of the following:
 - a. Armstrong International, Inc.
 - b. Cash Acme.
 - c. Conbraco Industries, Inc.
 - d. Honeywell Water Controls.
 - e. Leonard Valve Company.
 - f. Powers; a Watts Industries Co.
 - g. Symmons Industries, Inc.
 - h. Taco, Inc.
 - i. Watts Industries, Inc.; Water Products Div.

- j. Zurn Plumbing Products Group; Wilkins Div.
 - 2. Standard: ASSE 1017.
 - 3. Pressure Rating: 125 psig.
 - 4. Type: Thermostatically controlled water mixing valve.
 - 5. Material: Bronze body with corrosion-resistant interior components.
 - 6. Connections: Threaded union inlets and outlet.
 - 7. Accessories: Check stops on hot- and cold-water supplies, and adjustable, temperature-control handle.
 - 8. Valve Finish: Rough bronze.
- B. Primary, Thermostatic, Water Mixing Valves:
 - 1. Manufacturers: Subject to compliance with requirements, provide products by one of the following:
 - a. Armstrong International, Inc.
 - b. Lawler Manufacturing Company, Inc.
 - c. Leonard Valve Company.
 - d. Powers; a Watts Industries Co.
 - e. Symmons Industries, Inc.
 - 2. Standard: ASSE 1017.
 - 3. Pressure Rating: 125 psig.
 - 4. Type: Exposed-mounting, thermostatically controlled water mixing valve.
 - 5. Material: Bronze body with corrosion-resistant interior components.
 - 6. Connections: Threaded union inlets and outlet.
 - 7. Accessories: Manual temperature control, check stops on hot- and cold-water supplies, and adjustable, temperature-control handle.
 - 8. Valve Pressure Rating: 125 psig minimum, unless otherwise indicated.
 - 9. Valve Finish: Chrome plated.
 - 10. Piping Finish: Copper.
- C. Individual-Fixture, Water Tempering Valves:
 - 1. Manufacturers: Subject to compliance with requirements, provide products by one of the following:
 - a. Cash Acme.
 - b. Conbraco Industries, Inc.
 - c. Honeywell Water Controls.
 - d. Lawler Manufacturing Company, Inc.
 - e. Leonard Valve Company.
 - f. Powers; a Watts Industries Co.
 - g. Watts Industries, Inc.; Water Products Div.
 - h. Zurn Plumbing Products Group; Wilkins Div.
 - 2. Standard: ASSE 1016, thermostatically controlled water tempering valve.
 - 3. Pressure Rating: 125 psig minimum, unless otherwise indicated.
 - 4. Body: Bronze body with corrosion-resistant interior components.
 - 5. Temperature Control: Adjustable.

6. Inlets and Outlet: Threaded.
7. Finish: Rough or chrome-plated bronze.

2.6 STRAINERS FOR DOMESTIC WATER PIPING

A. Y-Pattern Strainers:

1. Pressure Rating: 125 psig minimum, unless otherwise indicated.
2. Body: Bronze for NPS 2 and smaller; cast iron with interior lining complying with AWWA C550 or FDA-approved, epoxy coating and for NPS 2-1/2 and larger.
3. End Connections: Threaded for NPS 2 and smaller; flanged for NPS 2-1/2 and larger.
4. Screen: Stainless steel with round perforations, unless otherwise indicated.
5. Perforation Size:
 - a. Strainers NPS 2 and Smaller: 0.020 inch.
 - b. Strainers NPS 2-1/2 to NPS 4: 0.045 inch.
 - c. Strainers NPS 5 and Larger: 0.10 inch.
6. Drain: Factory-installed, hose-end drain valve.

2.7 OUTLET BOXES

A. Icemaker Outlet Boxes WO-1:

1. Basis of Design: See plumbing fixture schedule.
2. Manufacturers: Subject to compliance with requirements, provide products by one of the following:
 - a. Acorn Engineering Company.
 - b. Guy Gray Manufacturing Co., Inc.
 - c. IPS Corporation.
 - d. LSP Products Group, Inc.
 - e. Oatey.
 - f. Plastic Oddities; a division of Diverse Corporate Technologies.
 - g. Symmons Industries, Inc.
 - h. Watts Industries, Inc.; Water Products Div.
 - i. Whitehall Manufacturing; a div. of Acorn Engineering Company.
 - j. Zurn Plumbing Products Group; Light Commercial Operation.
3. Mounting: Recessed.
4. Material and Finish: Enameled-steel or epoxy-painted-steel or plastic box and faceplate.
5. Faucet: Combination, valved fitting or separate hot- and cold-water, valved fittings complying with ASME A112.18.1. Include garden-hose thread complying with ASME B1.20.7 on outlets.
6. Supply Shutoff Fittings: NPS 1/2 gate, globe, or ball valves and NPS 1/2 copper, water tubing.

7. Drain: [NPS 1-1/2] [NPS 2] standpipe and P-trap for direct waste connection to drainage piping.
8. Inlet Hoses: Two 60-inch- long, rubber household clothes washer inlet hoses with female, garden-hose-thread couplings. Include rubber washers.
9. Drain Hose: One 48-inch- long, rubber household clothes washer drain hose with hooked end.
10. Operating Keys: Two with each wall hydrant.

2.8 DRAIN VALVES

A. Ball-Valve-Type, Hose-End Drain Valves:

1. Standard: MSS SP-110 for standard-port, two-piece ball valves.
2. Pressure Rating: 400-psig minimum CWP.
3. Size: NPS 3/4.
4. Body: Copper alloy.
5. Ball: Chrome-plated brass.
6. Seats and Seals: Replaceable.
7. Handle: Vinyl-covered steel.
8. Inlet: Threaded or solder joint.
9. Outlet: Threaded, short nipple with garden-hose thread complying with ASME B1.20.7 and cap with brass chain.

2.9 WATER HAMMER ARRESTERS

A. Water Hammer Arresters:

1. Manufacturers: Subject to compliance with requirements, provide products by one of the following:
 - a. AMTROL, Inc.
 - b. Josam Company.
 - c. MIFAB, Inc.
 - d. PPP Inc.
 - e. Sioux Chief Manufacturing Company, Inc.
 - f. Smith, Jay R. Mfg. Co.; Division of Smith Industries, Inc.
 - g. Tyler Pipe; Wade Div.
 - h. Watts Drainage Products Inc.
 - i. Zurn Plumbing Products Group; Specification Drainage Operation.
2. Standard: ASSE 1010 or PDI-WH 201.
3. Type: Metal bellows or Copper tube with piston.
4. Size: ASSE 1010, Sizes AA and A through F or PDI-WH 201, Sizes A through F.

PART 3 - EXECUTION

3.1 INSTALLATION

- A. Refer to Division 22 Section "Common Work Results for Plumbing" for piping joining materials, joint construction, and basic installation requirements.
- B. Install backflow preventers in each water supply to mechanical equipment and systems and to other equipment and water systems that may be sources of contamination. Comply with authorities having jurisdiction.
 - 1. Locate backflow preventers in same room as connected equipment or system.
 - 2. Install drain for backflow preventers with atmospheric-vent drain connection with air-gap fitting, fixed air-gap fitting, or equivalent positive pipe separation of at least two pipe diameters in drain piping and pipe to floor drain. Locate air-gap device attached to or under backflow preventer. Simple air breaks are not acceptable for this application.
 - 3. Do not install bypass piping around backflow preventers.
- C. Install water control valves with inlet and outlet shutoff valves. Install pressure gages on inlet and outlet.
- D. Install balancing valves in locations where they can easily be adjusted.
- E. Install temperature-actuated water mixing valves with check stops or shutoff valves on inlets and with shutoff valve on outlet.
 - 1. Install thermometers and water regulators if specified.
 - 2. Install cabinet-type units recessed in or surface mounted on wall as specified.
- F. Install Y-pattern strainers for water on supply side of each control valve, water pressure-reducing valve, solenoid valve, and pump.
- G. Install outlet boxes recessed in wall. Install 2-by-4-inch fire-retardant-treated-wood blocking wall reinforcement between studs. Fire-retardant-treated-wood blocking is specified in Division 06 Section "Rough Carpentry."
- H. Install water hammer arresters in water piping according to PDI-WH 201.

3.2 CONNECTIONS

- A. Piping installation requirements are specified in other Division 22 Sections. Drawings indicate general arrangement of piping and specialties.
- B. Ground equipment according to Division 26 Section "Grounding and Bonding for Electrical Systems."
- C. Connect wiring according to Division 26 Section "Low-Voltage Electrical Power Conductors and Cables."

3.3 LABELING AND IDENTIFYING

- A. Equipment Nameplates and Signs: Install engraved plastic-laminate equipment nameplate or sign on or near each of the following:
 - 1. Pressure vacuum breakers.
 - 2. Reduced-pressure-principle backflow preventers.
 - 3. Double-check backflow-prevention assemblies.
 - 4. Carbonated-beverage-machine backflow preventers.
 - 5. Dual-check-valve backflow preventers.
 - 6. Water pressure-reducing valves.
 - 7. Calibrated balancing valves.
 - 8. Primary, thermostatic, water mixing valves.
 - 9. Primary water tempering valves.
 - 10. Outlet boxes.
- B. Distinguish among multiple units, inform operator of operational requirements, indicate safety and emergency precautions, and warn of hazards and improper operations, in addition to identifying unit. Nameplates and signs are specified in Division 22 Section "Identification for Plumbing Piping and Equipment."

3.4 FIELD QUALITY CONTROL

- A. Perform the following tests and prepare test reports:
 - 1. Test each backflow preventer according to authorities having jurisdiction and the device's reference standard.
- B. Remove and replace malfunctioning domestic water piping specialties and retest as specified above.

3.5 ADJUSTING

- A. Set field-adjustable pressure set points of water pressure-reducing valves.
- B. Set field-adjustable flow set points of balancing valves.
- C. Set field-adjustable temperature set points of temperature-actuated water mixing valves.

END OF SECTION

SECTION 22 13 16 - SANITARY WASTE AND VENT PIPING

PART 1 - GENERAL

1.1 RELATED DOCUMENTS

- A. Drawings and general provisions of the Contract, including General and Supplementary Conditions and Division 01 Specification Sections, apply to this Section.

1.2 SUMMARY

- A. Section Includes:
 - 1. Pipe, tube, and fittings.
 - 2. Specialty pipe fittings.

1.3 PERFORMANCE REQUIREMENTS

- A. Components and installation shall be capable of withstanding the following minimum working pressure unless otherwise indicated:
 - 1. Soil, Waste, and Vent Piping: **10-foot head of water.**

1.4 ACTION SUBMITTALS

- A. Product Data: For each type of product indicated.

1.5 INFORMATIONAL SUBMITTALS

- A. Seismic Qualification Certificates: For waste and vent piping, accessories, and components, from manufacturer.
 - 1. Basis for Certification: Indicate whether withstand certification is based on actual test of assembled components or on calculation.
 - 2. Detailed description of piping anchorage devices on which the certification is based and their installation requirements.
- B. Field quality-control reports.

1.6 QUALITY ASSURANCE

- A. Piping materials shall bear label, stamp, or other markings of specified testing agency.

- B. Comply with NSF/ANSI 14, "Plastics Piping Systems Components and Related Materials," for plastic piping components. Include marking with "NSF-dwv" for plastic drain, waste, and vent piping; "NSF-sewer" for plastic sewer piping; "NSF-drain" for plastic drain piping, and "NSF-tubular" for plastic continuous waste piping.

PART 2 - PRODUCTS

2.1 PIPING MATERIALS

- A. Comply with requirements in "Piping Schedule" Article for applications of pipe, tube, fitting materials, and joining methods for specific services, service locations, and pipe sizes.

2.2 HUBLESS, CAST-IRON SOIL PIPE AND FITTINGS

- A. Pipe and Fittings: All cast-iron waste, vent and sewer pipe and fittings shall conform to the requirements of CISPI Standard 301 and ASTM A 888. All products shall be marked with the collective trademark of the Cast Soil Pipe Institute and shall be listed by NSF International or receive prior approval of the engineer. All cast-iron pipe and fittings shall be American made and tested. Non-compliant import cast-iron products will not be permitted. Any non-compliant cast-iron product installed by the contractor on this project will be replaced at the contractor's expense and shall include all repairs, patching, painting and other incidental work required to return the project to its pre-remediation state.

- 1. Manufacturers: Subject to compliance with requirements, provide products by one of the following:

- a. AB&I Foundry
- b. Charlotte Pipe
- c. Tyler Pipe

- B. CISPI, Hubless-Piping Couplings:

- 1. Manufacturers: Subject to compliance with requirements, provide products by one of the following:

- a. ANACO.
- b. Ideal
- c. Mission Rubber Company; a division of MCP Industries, Inc.
- d. Tyler Pipe.

- 2. Standards: ASTM C 1277 and CISPI 310.

- 3. Description: Stainless-steel corrugated shield with stainless-steel bands and tightening devices; and ASTM C 564, rubber sleeve with integral, center pipe stop.

- 4. Listing: Couplings shall be listed by NSF International. Each coupling shall be embossed with the NSF seal.

- C. Heavy-Duty, Hubless-Piping Couplings:

1. Manufacturers: Subject to compliance with requirements, provide products by one of the following:
 - a. Husky SD 4000.
 - b. Clamp-All Corp HI-TORQ 125.
2. Standards: ASTM C 1277 and ASTM C 1540.
3. Description: Stainless-steel shield with stainless-steel bands and tightening devices; and ASTM C 564, rubber sleeve with integral, center pipe stop.

2.3 PVC PIPE AND FITTINGS

- A. Solid-Wall PVC Pipe: ASTM D 2665, drain, waste, and vent.
- B. PVC Socket Fittings: ASTM D 2665, made to ASTM D 3311, drain, waste, and vent patterns and to fit Schedule 40 pipe.
- C. Adhesive Primer: ASTM F 656.
 1. Adhesive primer shall have a VOC content of 550 g/L or less when calculated according to 40 CFR 59, Subpart D (EPA Method 24).
 2. Adhesive primer shall comply with the testing and product requirements of the California Department of Health Services' "Standard Practice for the Testing of Volatile Organic Emissions from Various Sources Using Small-Scale Environmental Chambers."
- D. Solvent Cement: ASTM D 2564.
 1. PVC solvent cement shall have a VOC content of 510 g/L or less when calculated according to 40 CFR 59, Subpart D (EPA Method 24).

PART 3 - EXECUTION

3.1 EARTH MOVING

- A. Comply with requirements for excavating, trenching, and backfilling specified in Division 31 Section "Earth Moving."

3.2 PIPING INSTALLATION

- A. Drawing plans, schematics, and diagrams indicate general location and arrangement of piping systems. Indicated locations and arrangements were used to size pipe and calculate friction loss, expansion, pump sizing, and other design considerations. Install piping as indicated unless deviations to layout are approved on coordination drawings.
- B. Install piping in concealed locations unless otherwise indicated and except in equipment rooms and service areas.

- C. Install piping indicated to be exposed and piping in equipment rooms and service areas at right angles or parallel to building walls. Diagonal runs are prohibited unless specifically indicated otherwise.
- D. Install piping above accessible ceilings to allow sufficient space for ceiling panel removal.
- E. Install piping to permit valve servicing.
- F. Install piping at indicated slopes.
- G. Install piping free of sags and bends.
- H. Install fittings for changes in direction and branch connections.
- I. Install piping to allow application of insulation.
- J. Install seismic restraints on piping. Comply with SEI/ASCE 7 and with requirements for seismic-restraint devices specified in Division 22 Section "Vibration and Seismic Controls for Plumbing Piping and Equipment."
- K. Make changes in direction for soil and waste drainage and vent piping using appropriate branches, bends, and long-sweep bends. Sanitary tees and short-sweep 1/4 bends may be used on vertical stacks if change in direction of flow is from horizontal to vertical. Use long-turn, double Y-branch and 1/8-bend fittings if two fixtures are installed back to back or side by side with common drain pipe. Straight tees, elbows, and crosses may be used on vent lines. Do not change direction of flow more than 90 degrees. Use proper size of standard increasers and reducers if pipes of different sizes are connected. Reducing size of drainage piping in direction of flow is prohibited.
- L. Lay buried building drainage piping beginning at low point of each system. Install true to grades and alignment indicated, with unbroken continuity of invert. Place hub ends of piping upstream. Install required gaskets according to manufacturer's written instructions for use of lubricants, cements, and other installation requirements. Maintain swab in piping and pull past each joint as completed.
- M. Install soil and waste drainage and vent piping at the following minimum slopes unless otherwise indicated:
 - 1. Building Sanitary Drain: **2 percent downward in direction of flow for piping.**
 - 2. Horizontal Sanitary Drainage Piping: 2 percent downward in direction of flow.
 - 3. Vent Piping: 1 percent down toward vertical fixture vent or toward vent stack.
- N. Install cast-iron soil piping according to CISPI's "Cast Iron Soil Pipe and Fittings Handbook," Chapter IV, "Installation of Cast Iron Soil Pipe and Fittings."
 - 1. Install encasement on underground piping according to ASTM A 674 or AWWA C105/A 21.5.
- O. Install underground **PVC** piping according to ASTM D 2321.

- P. Install engineered soil and waste drainage and vent piping systems as follows:
1. Combination Waste and Vent: Comply with standards of authorities having jurisdiction.
- Q. Plumbing Specialties:
1. Install cleanouts at grade and extend to where building sanitary drains connect to building sanitary sewers in sanitary drainage gravity-flow piping. Install cleanout fitting with closure plug inside the building in sanitary drainage force-main piping. Comply with requirements for cleanouts specified in Division 22 Section "Sanitary Waste Piping Specialties."
 2. Install drains in sanitary drainage gravity-flow piping. Comply with requirements for drains specified in Division 22 Section "Sanitary Waste Piping Specialties."
 3. Install cleanout fitting with closure plug inside the building in sanitary force-main piping.
- R. Do not enclose, cover, or put piping into operation until it is inspected and approved by authorities having jurisdiction.
- S. Install sleeves for piping penetrations of walls, ceilings, and floors. Comply with requirements for sleeves specified in Division 22 Section "Sleeves and Sleeve Seals for Plumbing Piping."
- T. Install sleeve seals for piping penetrations of concrete walls and slabs. Comply with requirements for sleeve seals specified in Division 22 Section "Sleeves and Sleeve Seals for Plumbing Piping."
- U. Install escutcheons for piping penetrations of walls, ceilings, and floors. Comply with requirements for escutcheons specified in Division 22 Section "Escutcheons for Plumbing Piping."

3.3 JOINT CONSTRUCTION

- A. Join hubless, cast-iron soil piping according to CISPI 310 and CISPI's "Cast Iron Soil Pipe and Fittings Handbook" for hubless-piping coupling joints.
- B. Plastic, Nonpressure-Piping, Solvent-Cement Joints: Clean and dry joining surfaces. Join pipe and fittings according to the following:
1. Comply with ASTM F 402 for safe-handling practice of cleaners, primers, and solvent cements.
 2. PVC Piping: Join according to ASTM D 2855 and ASTM D 2665 Appendixes.

3.4 HANGER AND SUPPORT INSTALLATION

- A. Comply with requirements for seismic-restraint devices specified in Division 22 Section "Vibration and Seismic Controls for Plumbing Piping and Equipment."

- B. Comply with requirements for pipe hanger and support devices and installation specified in Division 22 Section "Hangers and Supports for Plumbing Piping and Equipment."
1. Install **carbon-steel** pipe hangers for horizontal piping in noncorrosive environments.
 2. Install **stainless-steel** pipe hangers for horizontal piping in corrosive environments.
 3. Install **carbon-steel** pipe support clamps for vertical piping in noncorrosive environments.
 4. Install stainless-steel pipe support clamps for vertical piping in corrosive environments.
 5. Vertical Piping: MSS Type 8 or Type 42, clamps.
 6. Install individual, straight, horizontal piping runs:
 - a. 100 Feet and Less: MSS Type 1, adjustable, steel clevis hangers.
 - b. Longer Than 100 Feet: MSS Type 43, adjustable roller hangers.
 - c. Longer Than 100 Feet if Indicated: MSS Type 49, spring cushion rolls.
 7. Multiple, Straight, Horizontal Piping Runs 100 Feet or Longer: MSS Type 44, pipe rolls. Support pipe rolls on trapeze.
 8. Base of Vertical Piping: MSS Type 52, spring hangers.
- C. Support horizontal piping and tubing within 12 inches of each **fitting and coupling or valve and coupling**.
- D. Support vertical piping and tubing at base and at each floor.
- E. Rod diameter may be reduced one size for double-rod hangers, with 3/8-inch minimum rods.
- F. Install hangers for cast-iron soil piping with the following maximum horizontal spacing and minimum rod diameters:
1. NPS 1-1/2 and NPS 2: 60 inches with 3/8-inch rod.
 2. NPS 3: 60 inches with 1/2-inch rod.
 3. NPS 4 and NPS 5: 60 inches with 5/8-inch rod.
 4. NPS 6 and NPS 8: 60 inches with 3/4-inch rod.
 5. NPS 10 and NPS 12: 60 inches with 7/8-inch rod.
 6. Spacing for 10-foot lengths may be increased to 10 feet. Spacing for fittings is limited to 60 inches.
- G. Install supports for vertical cast-iron soil piping every 15 feet.
- H. Support piping and tubing not listed above according to MSS SP-69 and manufacturer's written instructions.

3.5 CONNECTIONS

- A. Drawings indicate general arrangement of piping, fittings, and specialties.

- B. Connect soil and waste piping to exterior sanitary sewerage piping. Use transition fitting to join dissimilar piping materials.
- C. Connect drainage and vent piping to the following:
 - 1. Plumbing Fixtures: Connect drainage piping in sizes indicated, but not smaller than required by plumbing code.
 - 2. Plumbing Fixtures and Equipment: Connect atmospheric vent piping in sizes indicated, but not smaller than required by authorities having jurisdiction.
 - 3. Plumbing Specialties: Connect drainage and vent piping in sizes indicated, but not smaller than required by plumbing code.
 - 4. Install test tees (wall cleanouts) in conductors near floor and floor cleanouts with cover flush with floor.
 - 5. Comply with requirements for, **cleanouts and drains** specified in Division 22 Section "Sanitary Waste Piping Specialties."
 - 6. Equipment: Connect drainage piping as indicated. Provide shutoff valve if indicated and union for each connection. Use flanges instead of unions for connections NPS 2-1/2 and larger.
- D. Where installing piping adjacent to equipment, allow space for service and maintenance of equipment.
- E. Make fixture and equipment connections according to the following unless otherwise indicated:
 - 1. Install unions, in piping NPS 2 and smaller, adjacent to each valve and at final connection to each piece of equipment.
 - 2. Install flanges, in piping NPS 2-1/2 and larger, adjacent to flanged valves and at final connection to each piece of equipment.

3.6 IDENTIFICATION

- A. Identify exposed sanitary waste and vent piping. Comply with requirements for identification specified in Division 22 Section "Identification for Plumbing Piping and Equipment."

3.7 FIELD QUALITY CONTROL

- A. During installation, notify authorities having jurisdiction at least 24 hours before inspection must be made. Perform tests specified below in presence of authorities having jurisdiction.
 - 1. Roughing-in Inspection: Arrange for inspection of piping before concealing or closing-in after roughing-in and before setting fixtures.
 - 2. Final Inspection: Arrange for final inspection by authorities having jurisdiction to observe tests specified below and to ensure compliance with requirements.
- B. Reinspection: If authorities having jurisdiction find that piping will not pass test or inspection, make required corrections and arrange for reinspection.

- C. Reports: Prepare inspection reports and have them signed by authorities having jurisdiction.
- D. Test sanitary drainage and vent piping according to procedures of authorities having jurisdiction or, in absence of published procedures, as follows:
 - 1. Test for leaks and defects in new piping and parts of existing piping that have been altered, extended, or repaired. If testing is performed in segments, submit separate report for each test, complete with diagram of portion of piping tested.
 - 2. Leave uncovered and unconcealed new, altered, extended, or replaced drainage and vent piping until it has been tested and approved. Expose work that was covered or concealed before it was tested.
 - 3. Roughing-in Plumbing Test Procedure: Test drainage and vent piping except outside leaders on completion of roughing-in. Close openings in piping system and fill with water to point of overflow, but not less than **10-foot head of water**. From 15 minutes before inspection starts to completion of inspection, water level must not drop. Inspect joints for leaks.
 - 4. Finished Plumbing Test Procedure: After plumbing fixtures have been set and traps filled with water, test connections and prove they are gastight and watertight. Plug vent-stack openings on roof and building drains where they leave building. Introduce air into piping system equal to pressure of **1-inch wg**. Use U-tube or manometer inserted in trap of water closet to measure this pressure. Air pressure must remain constant without introducing additional air throughout period of inspection. Inspect plumbing fixture connections for gas and water leaks.
 - 5. Repair leaks and defects with new materials and retest piping, or portion thereof, until satisfactory results are obtained.
 - 6. Prepare reports for tests and required corrective action.

3.8 CLEANING AND PROTECTION

- A. Clean interior of piping. Remove dirt and debris as work progresses.
- B. Protect drains during remainder of construction period to avoid clogging with dirt and debris and to prevent damage from traffic and construction work.
- C. Place plugs in ends of uncompleted piping at end of day and when work stops.

3.9 PIPING SCHEDULE

- A. Flanges and unions may be used on aboveground pressure piping unless otherwise indicated.
- B. Aboveground, soil and waste piping **NPS 3** and smaller shall be the following:
 - 1. Hubless, cast-iron soil pipe and fittings **CISPI** hubless-piping couplings; and coupled joints.
 - 2. Dissimilar Pipe-Material Couplings: Shielded, nonpressure transition couplings.
- C. Aboveground, soil and waste piping **NPS 4** and larger shall be the following:

1. Hubless, cast-iron soil pipe and fittings **heavy-duty** hubless-piping couplings; and coupled joints.
 2. Dissimilar Pipe-Material Couplings: Shielded, nonpressure transition couplings.
- D. Aboveground, vent piping **NPS 3** and smaller shall be the following:
1. Hubless, cast-iron soil pipe and fittings **CISPI** hubless-piping couplings; and coupled joints.
 2. Dissimilar Pipe-Material Couplings: Shielded, nonpressure transition couplings.
- E. Aboveground, vent piping **NPS 4** and larger shall be the following:
1. Hubless, cast-iron soil pipe and fittings **CISPI** hubless-piping couplings; and coupled joints.
 2. Dissimilar Pipe-Material Couplings: Unshielded, nonpressure transition couplings.
- F. Underground, soil, waste, and vent piping **NPS 3** and smaller shall be **any of** the following:
1. Hubless, cast-iron soil pipe and fittings **CISPI** hubless-piping couplings; and coupled joints.
 2. **Solid-wall** PVC pipe, PVC socket fittings, and solvent-cemented joints.
 3. Dissimilar Pipe-Material Couplings: Shielded, nonpressure transition couplings.
- G. Underground, soil and waste piping **NPS 4** and larger shall be **any of** the following:
1. Hubless, cast-iron soil pipe and fittings **heavy-duty** hubless-piping couplings; and coupled joints.
 2. **Solid-wall** PVC pipe, PVC socket fittings, and solvent-cemented joints.
 3. Dissimilar Pipe-Material Couplings: Shielded, nonpressure transition couplings.
- H. Mechanical Rooms & Kitchen Underground soil, waste, and vent piping any size shall be the following:
1. NPS 3 and smaller: Hubless, cast-iron soil pipe and fittings CISPI hubless-piping couplings; and coupled joints.
 2. NPS 4 and larger: Hubless, cast-iron soil pipe and fittings heavy-duty hubless-piping couplings; and coupled joints.

END OF SECTION

THIS PAGE INTENTIONALLY LEFT BLANK

SECTION 221319 - SANITARY WASTE PIPING SPECIALTIES

PART 1 - GENERAL

1.1 RELATED DOCUMENTS

- A. Drawings and general provisions of the Contract, including General and Supplementary Conditions and Division 01 Specification Sections, apply to this Section.

1.2 SUMMARY

- A. This Section includes the following sanitary drainage piping specialties:
 - 1. Cleanouts.
 - 2. Floor drains.
 - 3. Channel drainage systems.
 - 4. Roof flashing assemblies.
 - 5. Through-penetration firestop assemblies.
 - 6. Miscellaneous sanitary drainage piping specialties.
 - 7. Flashing materials.
- B. Related Sections include the following:
 - 1. Division 22 Section "Storm Drainage Piping Specialties" for trench drains for storm water, channel drainage systems for storm water, roof drains, and catch basins.

1.3 SEISMIC REQUIREMENTS

- A. Component Importance Factor. All plumbing components shall be assigned a component importance factor. The component importance factor, I_p , shall be taken as 1.5 if any of the following conditions apply:
 - 1. The component is required to function for life-safety purposes after an earthquake.
 - 2. The component contains hazardous materials.
 - 3. The component is in or attached to an Occupancy Category IV structure and it is needed for continued operation of the facility or its failure could impair the continued operation of the facility.
- B. All other components shall be assigned a component importance factor, I_p , equal to 1.0.
- C. Seismic Performance: Plumbing equipment, hangers and supports shall withstand the effects of earthquake motions determined according to SEI/ASCE 7 and with the requirements specified in Section 220548 "Vibration and Seismic Controls for Plumbing Piping and Equipment."

1.4 DEFINITIONS

- A. FOG: Fats, oils, and greases.
- B. FRP: Fiberglass-reinforced plastic.
- C. HDPE: High-density polyethylene plastic.
- D. PE: Polyethylene plastic.
- E. PP: Polypropylene plastic.
- F. PVC: Polyvinyl chloride plastic.

1.5 SUBMITTALS

- A. Shop Drawings: Show fabrication and installation details for frost-resistant vent terminals.
 - 1. Wiring Diagrams: Power, signal, and control wiring.
- B. Manufacturer Seismic Qualification Certification: Submit certification that FOG disposal systems, grease interceptors, grease removal devices, oil interceptors, accessories, and components will withstand seismic forces defined in Division 22 Section "Vibration and Seismic Controls for Plumbing Piping and Equipment." Include the following:
 - 1. Basis for Certification: Indicate whether withstand certification is based on actual test of assembled components or on calculation.
 - a. For components with a seismic importance factor of 1.0 the term "withstand" means "the unit will remain in place without separation of any parts from the device when subjected to the seismic forces specified."
 - b. For components with a seismic importance factor of 1.5 the term "withstand" means "the unit will remain in place without separation of any parts from the device when subjected to the seismic forces specified and the unit will be fully operational after the seismic event."
 - 2. Dimensioned Outline Drawings of Equipment Unit: Identify center of gravity and locate and describe mounting and anchorage provisions.
 - 3. Detailed description of equipment anchorage devices on which the certification is based and their installation requirements.
- C. Field quality-control test reports.
- D. Operation and Maintenance Data: For drainage piping specialties to include in emergency, operation, and maintenance manuals.

1.6 QUALITY ASSURANCE

- A. Drainage piping specialties shall bear label, stamp, or other markings of specified testing agency.
- B. Electrical Components, Devices, and Accessories: Listed and labeled as defined in NFPA 70, Article 100, by a testing agency acceptable to authorities having jurisdiction, and marked for intended use.
- C. Comply with NSF 14, "Plastics Piping Components and Related Materials," for plastic sanitary piping specialty components.

1.7 COORDINATION

- A. Coordinate size and location of concrete bases. Cast anchor-bolt inserts into bases. Concrete, reinforcement, and formwork requirements are specified in Division 03.
- B. Coordinate size and location of roof penetrations.

PART 2 - PRODUCTS

2.1 CLEANOUTS

- A. Exposed Metal Cleanouts:
 - 1. Manufacturers: Subject to compliance with requirements, provide products by one of the following:
 - a. Josam Company; Josam Div.
 - b. MIFAB, Inc.
 - c. Smith, Jay R. Mfg. Co.; Division of Smith Industries, Inc.
 - d. Tyler Pipe; Wade Div.
 - e. Watts Drainage Products Inc.
 - f. Zurn Plumbing Products Group; Specification Drainage Operation.
 - g. Sun Drainage Products
 - 2. Standard: ASME A112.36.2M for cast iron for cleanout test tee.
 - 3. Size: Same as connected drainage piping
 - 4. Body Material: Hubless, cast-iron soil pipe test tee as required to match connected piping.
 - 5. Closure: Countersunk, brass plug.
 - 6. Closure Plug Size: Same as or not more than one size smaller than cleanout size.
 - 7. Closure: Stainless-steel plug with seal.
- B. Metal Floor Cleanouts:
 - 1. Manufacturers: Subject to compliance with requirements, provide products by one of the following:

- a. Josam Company; Josam Div.
 - b. Oatey.
 - c. Smith, Jay R. Mfg. Co.; Division of Smith Industries, Inc.
 - d. Tyler Pipe; Wade Div.
 - e. Watts Drainage Products Inc.
 - f. Zurn Plumbing Products Group; Light Commercial Operation.
 - g. Zurn Plumbing Products Group; Specification Drainage Operation.
 - h. Sun Drainage Products
2. Standard: ASME A112.36.2M for adjustable housing cleanout.
 3. Size: Same as connected branch.
 4. Type: Adjustable housing.
 5. Body or Ferrule: Cast iron.
 6. Clamping Device: Required.
 7. Outlet Connection: Inside calk.
 8. Closure: Brass plug with tapered threads.
 9. Adjustable Housing Material: Cast iron with threads.
 10. Frame and Cover Material and Finish: Nickel-bronze, copper alloy.
 11. Frame and Cover Shape: Round.
 12. Top Loading Classification: Heavy Duty.
 13. Riser: ASTM A 74, Service class, cast-iron drainage pipe fitting and riser to cleanout.
 14. Standard: ASME A112.3.1.
 15. Size: Same as connected branch.
 16. Housing: Stainless steel.
 17. Closure: Stainless steel with seal.
 18. Riser: Stainless-steel drainage pipe fitting to cleanout.

C. Cast-Iron Wall Cleanouts:

1. Manufacturers: Subject to compliance with requirements, provide products by one of the following:
 - a. Josam Company; Josam Div.
 - b. MIFAB, Inc.
 - c. Smith, Jay R. Mfg. Co.; Division of Smith Industries, Inc.
 - d. Tyler Pipe; Wade Div.
 - e. Watts Drainage Products Inc.
 - f. Zurn Plumbing Products Group; Specification Drainage Operation.
 - g. Sun Drainage Products
2. Standard: ASME A112.36.2M. Include wall access.
3. Size: Same as connected drainage piping.
4. Body: Hub-and-spigot, cast-iron soil pipe T-branch as required to match connected piping.
5. Closure: Countersunk, brass plug.
6. Closure Plug Size: Same as or not more than one size smaller than cleanout size.
7. Wall Access: Round, flat, chrome-plated brass or stainless-steel cover plate with screw.
8. Wall Access: Round, stainless-steel wall-installation frame and cover.

2.2 FLOOR DRAINS

A. Cast-Iron Floor Drains:

1. Manufacturers: Subject to compliance with requirements, provide products by one of the following:
2. Basis-of-Design Product: See Schedule at end of this Section:
 - a. Josam Company; Josam Div.
 - b. MIFAB, Inc.
 - c. Smith, Jay R. Mfg. Co.; Division of Smith Industries, Inc.
 - d. Tyler Pipe; Wade Div.
 - e. Watts Drainage Products Inc.
 - f. Zurn Plumbing Products Group; Specification Drainage Operation.
 - g. Sun Drainage Products
3. Standard: ASME A112.6.3.
4. Body Material: Gray iron.
5. Seepage Flange: Required.
6. Anchor Flange: Not required.
7. Outlet: Bottom.
8. Trap Material: Cast iron.
9. Trap Pattern: Deep-seal P-trap.
10. Trap Features: Barrier type trap seal. Trap Guard or equivalent.

2.3 THROUGH-PENETRATION FIRESTOP ASSEMBLIES

A. Through-Penetration Firestop Assemblies:

1. Available Manufacturers: Subject to compliance with requirements, manufacturers offering products that may be incorporated into the Work include, but are not limited to, the following:
2. Manufacturers: Subject to compliance with requirements, provide products by one of the following:
 - a. ProSet Systems Inc.
3. Standard: UL 1479 assembly of sleeve and stack fitting with firestopping plug.
4. Size: Same as connected soil, waste, or vent stack.
5. Sleeve: Molded PVC plastic, of length to match slab thickness and with integral nailing flange on one end for installation in cast-in-place concrete slabs.
6. Stack Fitting: ASTM A 48/A 48M, gray-iron, hubless-pattern, wye branch with neoprene O-ring at base and gray-iron plug in thermal-release harness. Include PVC protective cap for plug.
7. Special Coating: Corrosion resistant on interior of fittings.

2.4 MISCELLANEOUS SANITARY DRAINAGE PIPING SPECIALTIES

A. Deep-Seal Traps:

1. Description: Cast-iron or bronze casting, with inlet and outlet matching connected piping.
 2. Size: Same as connected waste piping.
 - a. NPS 2: 4-inch- minimum water seal.
 - b. NPS 2-1/2 and Larger: 5-inch- minimum water seal.
- B. Floor-Drain, Trap-Seal:
1. Description: Barrier type trap seal. Trap Guard or equivalent.
- C. Air-Gap Fittings:
1. Standard: ASME A112.1.2, for fitting designed to ensure fixed, positive air gap between installed inlet and outlet piping.
 2. Body: Bronze or cast iron.
 3. Inlet: Opening in top of body.
 4. Outlet: Larger than inlet.
 5. Size: Same as connected waste piping and with inlet large enough for associated indirect waste piping.
- D. Sleeve Flashing Device:
1. Description: Manufactured, cast-iron fitting, with clamping device, that forms sleeve for pipe floor penetrations of floor membrane. Include galvanized-steel pipe extension in top of fitting that will extend 1 inch > above finished floor and galvanized-steel pipe extension in bottom of fitting that will extend through floor slab.
 2. Size: As required for close fit to riser or stack piping.
- E. Stack Flashing Fittings:
1. Description: Counterflashing-type, cast-iron fitting, with bottom recess for terminating roof membrane, and with threaded or hub top for extending vent pipe.
 2. Size: Same as connected stack vent or vent stack.
- F. Vent Cap Filters:
1. Description: Activated carbon filter in housing for installation at vent terminal as manufactured by Sweet Filter.
 2. Size: Same as connected stack vent or vent stack.
- 2.5 FLASHING MATERIALS
- A. Lead Sheet: ASTM B 749, Type L51121, copper bearing, with the following minimum weights and thicknesses, unless otherwise indicated:
1. General Use: 4.0-lb/sq. ft., 0.0625-inch thickness.
 2. Vent Pipe Flashing: 3.0-lb/sq. ft., 0.0469-inch thickness.
 3. Burning: 6-lb/sq. ft., 0.0938-inch thickness.

- B. Elastic Membrane Sheet: ASTM D 4068, flexible, chlorinated polyethylene, 40-mil minimum thickness.
- C. Fasteners: Metal compatible with material and substrate being fastened.
- D. Metal Accessories: Sheet metal strips, clamps, anchoring devices, and similar accessory units required for installation; matching or compatible with material being installed.
- E. Bituminous Coating: SSPC-Paint 12, solvent-type, bituminous mastic.

2.6 MOTORS

- A. General requirements for motors are specified in Division 22 Section "Common Motor Requirements for Plumbing Equipment."
 - 1. Motor Sizes: Minimum size as indicated. If not indicated, large enough so driven load will not require motor to operate in service factor range above 1.0.
 - 2. Controllers, Electrical Devices, and Wiring: Electrical devices and connections are specified in Division 26 Sections.

PART 3 - EXECUTION

3.1 CONCRETE BASES

- A. Anchor grease removal devices to concrete bases.
 - 1. Install dowel rods to connect concrete base to concrete floor. Unless otherwise indicated, install dowel rods on 19-inch centers around full perimeter of base.
 - 2. For installed equipment, install epoxy-coated anchor bolts that extend through concrete base and anchor into structural concrete floor.
 - 3. Place and secure anchorage devices. Use setting drawings, templates, diagrams, instructions, and directions furnished with items to be imbedded.
 - 4. Install anchor bolts to elevations required for proper attachment to supported equipment.
 - 5. Concrete base construction requirements are specified in Division 22 Section "Common Work Results for Plumbing."
 - 6. Cast-in-place concrete materials and placement requirements are specified in Division 03.

3.2 INSTALLATION

- A. Comply with requirements for seismic-restraint devices in Section 220548 "Vibration and Seismic Controls for Plumbing Piping and Equipment."
- B. Refer to Division 22 Section "Common Work Results for Plumbing" for piping joining materials, joint construction, and basic installation requirements.

- C. Install backwater valves in building drain piping. For interior installation, provide cleanout deck plate flush with floor and centered over backwater valve cover, and of adequate size to remove valve cover for servicing.
- D. Install cleanouts in aboveground piping and building drain piping according to the following, unless otherwise indicated:
 - 1. Size same as drainage piping up to NPS 4. Use NPS 4 for larger drainage piping unless larger cleanout is indicated.
 - 2. Locate at each change in direction of piping greater than 45 degrees.
 - 3. Locate at minimum intervals of 50 feet for piping NPS 4 and smaller and 100 feet for larger piping.
 - 4. Locate at base of each vertical soil and waste stack.
- E. For floor cleanouts for piping below floors, install cleanout deck plates with top flush with finished floor.
- F. For cleanouts located in concealed piping, install cleanout wall access covers, of types indicated, with frame and cover flush with finished wall.
- G. Install floor drains at low points of surface areas to be drained. Set grates of drains flush with finished floor, unless otherwise indicated.
 - 1. Position floor drains for easy access and maintenance.
 - 2. Set floor drains below elevation of surrounding finished floor to allow floor drainage. Set with grates depressed according to the following drainage area radii:
 - a. Radius, 30 Inches or Less: Equivalent to 1 percent slope, but not less than 1/4-inch total depression.
 - b. Radius, 30 to 60 Inches: Equivalent to 1 percent slope.
 - c. Radius, 60 Inches or Larger: Equivalent to 1 percent slope, but not greater than 1-inch total depression.
 - 3. Install floor-drain flashing collar or flange so no leakage occurs between drain and adjoining flooring. Maintain integrity of waterproof membranes where penetrated.
 - 4. Install individual traps for floor drains connected to sanitary building drain, unless otherwise indicated.
- H. Assemble plastic channel drainage system components according to manufacturer's written instructions. Install on support devices so that top will be flush with adjacent surface.
- I. Install deep-seal traps on floor drains and other waste outlets, if indicated.
- J. Install floor-drain, trap-seal device in inlet to floor drains that require trap-seal protection.
 - 1. Size: Same as floor drain inlet.

- K. Install air-gap fittings on draining-type backflow preventers and on indirect-waste piping discharge into sanitary drainage system.
- L. Install sleeve flashing device with each riser and stack passing through floors with waterproof membrane.
- M. Install vent cap filters on each vent pipe passing through roof.
- N. Install wood-blocking reinforcement for wall-mounting-type specialties.
- O. Install traps on plumbing specialty drain outlets. Omit traps on indirect wastes unless trap is indicated.
- P. Install escutcheons at wall, floor, and ceiling penetrations in exposed finished locations and within cabinets and millwork. Use deep-pattern escutcheons if required to conceal protruding pipe fittings.

3.3 CONNECTIONS

- A. Piping installation requirements are specified in other Division 22 Sections. Drawings indicate general arrangement of piping, fittings, and specialties.
- B. Install piping adjacent to equipment to allow service and maintenance.
- C. Ground equipment according to Division 26 Section "Grounding and Bonding for Electrical Systems."
- D. Connect wiring according to Division 26 Section "Low-Voltage Electrical Power Conductors and Cables."

3.4 FLASHING INSTALLATION

- A. Fabricate flashing from single piece unless large pans, sumps, or other drainage shapes are required. Join flashing according to the following if required:
 - 1. Lead Sheets: Burn joints of lead sheets 6.0-lb/sq. ft., 0.0938-inch thickness or thicker. Solder joints of lead sheets 4.0-lb/sq. ft., 0.0625-inch thickness or thinner.
- B. Install sheet flashing on pipes, sleeves, and specialties passing through or embedded in floors and roofs with waterproof membrane.
 - 1. Pipe Flashing: Sleeve type, matching pipe size, with minimum length of 10 inches, and skirt or flange extending at least 8 inches around pipe.
 - 2. Sleeve Flashing: Flat sheet, with skirt or flange extending at least 8 inches around sleeve.
 - 3. Embedded Specialty Flashing: Flat sheet, with skirt or flange extending at least 8 inches around specialty.
- C. Set flashing on floors and roofs in solid coating of bituminous cement.

- D. Secure flashing into sleeve and specialty clamping ring or device.
- E. Install flashing for piping passing through roofs with counterflashing or commercially made flashing fittings, according to Division 07 Section "Sheet Metal Flashing and Trim."
- F. Extend flashing up vent pipe passing through roofs and turn down into pipe, or secure flashing into cast-iron sleeve having calking recess.
- G. Fabricate and install flashing and pans, sumps, and other drainage shapes.

3.5 LABELING AND IDENTIFYING

- A. Distinguish among multiple units, inform operator of operational requirements, indicate safety and emergency precautions, and warn of hazards and improper operations, in addition to identifying unit. Nameplates and signs are specified in Division 22 Section "Identification for Plumbing Piping and Equipment."

3.6 FIELD QUALITY CONTROL

- A. Perform tests and inspections and prepare test reports.
 - 1. Manufacturer's Field Service: Engage a factory-authorized service representative to inspect field-assembled grease removal devices and their installation, including piping and electrical connections, and to assist in testing.
- B. Tests and Inspections:
 - 1. Leak Test: After installation, charge system and test for leaks. Repair leaks and retest until no leaks exist.
 - 2. Test and adjust controls and safeties. Replace damaged and malfunctioning controls and equipment.

3.7 PROTECTION

- A. Protect drains during remainder of construction period to avoid clogging with dirt or debris and to prevent damage from traffic or construction work.
- B. Place plugs in ends of uncompleted piping at end of each day or when work stops.

3.8 DEMONSTRATION

- A. Engage a factory-authorized service representative to train Owner's maintenance personnel to adjust, operate, and maintain grease removal devices. Refer to Division 01 Section "Demonstration and Training."

END OF SECTION

SECTION 22 40 00 - PLUMBING FIXTURES

PART 1 - GENERAL

1.1 RELATED DOCUMENTS

- A. Drawings and general provisions of the Contract, including General and Supplementary Conditions and Division 01 Specification Sections, apply to this Section.

1.2 SUMMARY

- A. This Section includes the following conventional plumbing fixtures and related components:

1. Faucets for lavatories showers and sinks.
2. Flushometers.
3. Toilet seats.
4. Protective shielding guards.
5. Fixture supports.
6. Water closets.
7. Lavatories.
8. Service sinks.

- B. Related Sections include the following:

1. Division 10 Section "Toilet, Bath, and Laundry Accessories."
2. Division 22 Section "Domestic Water Piping Specialties" for backflow preventers, floor drains, and specialty fixtures not included in this Section.
3. Division 22 Section "Emergency Plumbing Fixtures."
4. Division 22 Section "Drinking Fountains and Water Coolers."

1.3 DEFINITIONS

- A. Accessible Fixture: Plumbing fixture that can be approached, entered, and used by people with disabilities.
- B. Cast Polymer: Cast-filled-polymer-plastic material. This material includes cultured-marble and solid-surface materials.
- C. Cultured Marble: Cast-filled-polymer-plastic material with surface coating.
- D. Fitting: Device that controls the flow of water into or out of the plumbing fixture. Fittings specified in this Section include supplies and stops, faucets and spouts, shower heads and tub spouts, drains and tailpieces, and traps and waste pipes. Piping and general-duty valves are included where indicated.
- E. FRP: Fiberglass-reinforced plastic.

- F. PMMA: Polymethyl methacrylate (acrylic) plastic.
- G. PVC: Polyvinyl chloride plastic.
- H. Solid Surface: Nonporous, homogeneous, cast-polymer-plastic material with heat-, impact-, scratch-, and stain-resistance qualities.

1.4 SUBMITTALS

- A. Product Data: For each type of plumbing fixture indicated. Include selected fixture and trim, fittings, accessories, appliances, appurtenances, equipment, and supports. Indicate materials and finishes, dimensions, construction details, and flow-control rates.
- B. Shop Drawings: Diagram power, signal, and control wiring.
- C. Operation and Maintenance Data: For plumbing fixtures to include in emergency, operation, and maintenance manuals.
- D. Warranty: Special warranty specified in this Section.

1.5 QUALITY ASSURANCE

- A. Source Limitations: Obtain plumbing fixtures, faucets, and other components of each category through one source from a single manufacturer.
 - 1. Exception: If fixtures, faucets, or other components are not available from a single manufacturer, obtain similar products from other manufacturers specified for that category.
- B. Electrical Components, Devices, and Accessories: Listed and labeled as defined in NFPA 70, Article 100, by a testing agency acceptable to authorities having jurisdiction, and marked for intended use.
- C. Regulatory Requirements: Comply with requirements in ICC A117.1, "Accessible and Usable Buildings and Facilities"; Public Law 90-480, "Architectural Barriers Act"; and Public Law 101-336, "Americans with Disabilities Act"; for plumbing fixtures for people with disabilities.
- D. Regulatory Requirements: Comply with requirements in Public Law 102-486, "Energy Policy Act," about water flow and consumption rates for plumbing fixtures.
- E. NSF Standard: Comply with NSF 61, "Drinking Water System Components--Health Effects," for fixture materials that will be in contact with potable water.
- F. Select combinations of fixtures and trim, faucets, fittings, and other components that are compatible.
- G. Comply with the following applicable standards and other requirements specified for plumbing fixtures:

1. Enameled, Cast-Iron Fixtures: ASME A112.19.1M.
 2. Porcelain-Enameled, Formed-Steel Fixtures: ASME A112.19.4M.
 3. Slip-Resistant Bathing Surfaces: ASTM F 462.
 4. Solid-Surface-Material Lavatories and Sinks: ANSI/ICPA SS-1.
 5. Stainless-Steel Residential Sinks: ASME A112.19.3.
 6. Vitreous-China Fixtures: ASME A112.19.2M.
 7. Water-Closet, Flushometer Tank Trim: ASSE 1037.
 8. Whirlpool Bathtub Fittings: ASME A112.19.8M.
- H. Comply with the following applicable standards and other requirements specified for lavatory and sink faucets:
1. Backflow Protection Devices for Faucets with Side Spray: ASME A112.18.3M.
 2. Backflow Protection Devices for Faucets with Hose-Thread Outlet: ASME A112.18.3M.
 3. Diverter Valves for Faucets with Hose Spray: ASSE 1025.
 4. Faucets: ASME A112.18.1.
 5. Hose-Connection Vacuum Breakers: ASSE 1011.
 6. Hose-Coupling Threads: ASME B1.20.7.
 7. Integral, Atmospheric Vacuum Breakers: ASSE 1001.
 8. NSF Potable-Water Materials: NSF 61.
 9. Pipe Threads: ASME B1.20.1.
 10. Sensor-Actuated Faucets and Electrical Devices: UL 1951.
 11. Supply Fittings: ASME A112.18.1.
 12. Brass Waste Fittings: ASME A112.18.2.
 13. NSF61 Appendage G-AB 1953. Lead free potable drinking faucets.
- I. Comply with the following applicable standards and other requirements specified for shower faucets:
1. Backflow Protection Devices for Hand-Held Showers: ASME A112.18.3M.
 2. Combination, Pressure-Equalizing and Thermostatic-Control Antiscald Faucets: ASSE 1016.
 3. Deck-Mounted Bath/Shower Transfer Valves: ASME 18.7.
 4. Faucets: ASME A112.18.1.
 5. Hand-Held Showers: ASSE 1014.
 6. High-Temperature-Limit Controls for Thermal-Shock-Preventing Devices: ASTM F 445.
 7. Hose-Coupling Threads: ASME B1.20.7.
 8. Manual-Control Antiscald Faucets: ASTM F 444.
 9. Pipe Threads: ASME B1.20.1.
 10. Pressure-Equalizing-Control Antiscald Faucets: ASTM F 444 and ASSE 1016.
 11. Sensor-Actuated Faucets and Electrical Devices: UL 1951.
 12. Thermostatic-Control Antiscald Faucets: ASTM F 444 and ASSE 1016.
- J. Comply with the following applicable standards and other requirements specified for miscellaneous fittings:
1. Atmospheric Vacuum Breakers: ASSE 1001.
 2. Brass and Copper Supplies: ASME A112.18.1.
 3. Dishwasher Air-Gap Fittings: ASSE 1021.

4. Manual-Operation Flushometers: ASSE 1037.
5. Plastic Tubular Fittings: ASTM F 409.
6. Brass Waste Fittings: ASME A112.18.2.
7. Sensor-Operation Flushometers: ASSE 1037 and UL 1951.
8. NSF61 Appendage G-AB 1953. Lead free potable drinking faucets.

K. Comply with the following applicable standards and other requirements specified for miscellaneous components:

1. Disposers: ASSE 1008 and UL 430.
2. Dishwasher Air-Gap Fittings: ASSE 1021.
3. Flexible Water Connectors: ASME A112.18.6.
4. Floor Drains: ASME A112.6.3.
5. Grab Bars: ASTM F 446.
6. Hose-Coupling Threads: ASME B1.20.7.
7. Off-Floor Fixture Supports: ASME A112.6.1M.
8. Pipe Threads: ASME B1.20.1.
9. Plastic Toilet Seats: ANSI Z124.5.
10. Supply and Drain Protective Shielding Guards: ICC A117.1.

1.6 EXTRA MATERIALS

A. Furnish extra materials described below that match products installed and that are packaged with protective covering for storage and identified with labels describing contents.

1. Faucet Washers and O-Rings: Equal to 10 percent of amount of each type and size installed.
2. Faucet Cartridges and O-Rings: Equal to 5 percent of amount of each type and size installed.
3. Flushometer Valve, Repair Kits: Equal to 10 percent of amount of each type installed, but no fewer than 12 of each type.
4. Provide hinged-top wood or metal box, or individual metal boxes, with separate compartments for each type and size of extra materials listed above.
5. Toilet Seats: Equal to 5 percent of amount of each type installed.

PART 2 - PRODUCTS

2.1 LAVATORY FAUCETS

A. Lavatory Faucets:

1. Manufacturers: Subject to compliance with requirements, provide products by one of the following:
 - a. Chicago Faucets.
 - b. T & S Brass and Bronze Works, Inc.

2.2 SHOWER FAUCETS

A. Shower Faucets:

1. Manufacturers: Subject to compliance with requirements, provide products by one of the following:
 - a. Chicago Faucets.
 - b. Leonard Valve Company.
 - c. T & S Brass and Bronze Works, Inc.

2.3 SINK FAUCETS

A. Sink Faucets:

1. Manufacturers: Subject to compliance with requirements, provide products by one of the following:
 - a. Chicago Faucets.
 - b. T & S Brass and Bronze Works, Inc.
 - c. Zurn Plumbing Products Group; Commercial Brass Operation.

2.4 FLUSHOMETERS

A. Flushometers:

1. Manufacturers: Subject to compliance with requirements, provide products by one of the following:
 - a. Sloan Valve Company.
 - b. Zurn Plumbing Products Group; Commercial Brass Operation.

2.5 TOILET SEATS

A. Toilet Seats:

1. Manufacturers: Subject to compliance with requirements, provide products by one of the following:
 - a. Bemis Manufacturing Company.
 - b. Centoco Manufacturing Corp.
 - c. Church Seats.
 - d. Olsonite Corp.
 - e. Sperzel.
2. Description: Toilet seat for water-closet-type fixture.
 - a. Material: Molded, solid plastic with antimicrobial agent.

- b. Configuration: Open front without cover.
- c. Size: Elongated.
- d. Hinge Type: CK, check.
- e. Class: Heavy-duty commercial.
- f. Color: White.

2.6 PROTECTIVE SHIELDING GUARDS

A. Protective Shielding Pipe Covers:

1. Manufacturers: Subject to compliance with requirements, provide products by one of the following:
 - a. Engineered Brass Co.
 - b. Insul-Tect Products Co.; a Subsidiary of MVG Molded Products.
 - c. McGuire Manufacturing Co., Inc.
 - d. Plumberex Specialty Products Inc.
 - e. TCI Products.
 - f. TRUEBRO, Inc.
 - g. Zurn Plumbing Products Group; Tubular Brass Plumbing Products Operation.
2. Description: Manufactured plastic wraps for covering plumbing fixture hot- and cold-water supplies and trap and drain piping. Comply with Americans with Disabilities Act (ADA) requirements. Product shall also meet the ASTM E 84 25/450 smoke and flame rating.

B. Protective Shielding Piping Enclosures:

1. Manufacturers: Subject to compliance with requirements, provide products by one of the following:
 - a. TRUEBRO, Inc.
2. Description: Manufactured plastic enclosure for covering plumbing fixture hot- and cold-water supplies and trap and drain piping. Comply with ADA requirements.

2.7 FIXTURE SUPPORTS

A. Manufacturers: Subject to compliance with requirements, provide products by one of the following:

1. Josam Company.
2. MIFAB Manufacturing Inc.
3. Smith, Jay R. Mfg. Co.
4. Tyler Pipe; Wade Div.
5. Watts Drainage Products Inc.; a div. of Watts Industries, Inc.
6. Zurn Plumbing Products Group; Specification Drainage Operation.

B. Lavatory Supports:

1. Description: Type II, lavatory carrier with concealed arms and tie rod for wall-mounting, lavatory-type fixture. Include steel uprights with feet.
2. Accessible-Fixture Support: Include rectangular steel uprights.

2.8 WATER CLOSETS

A. Water Closets:

1. Manufacturers: Subject to compliance with requirements, provide products by one of the following:
 - a. American Standard Companies, Inc.
 - b. Crane Plumbing, L.L.C./Fiat Products.
 - c. Eljer.
 - d. Kohler Co.

2.9 LAVATORIES

A. Lavatories:

1. Manufacturers: Subject to compliance with requirements, provide products by one of the following:
 - a. Briggs Plumbing Products, Inc.
 - b. Crane Plumbing, L.L.C./Fiat Products.
 - c. Eljer.
 - d. Kohler Co.

2.10 SERVICE SINKS

A. Service Sinks:

1. Manufacturers: Subject to compliance with requirements, provide products by one of the following:
 - a. American Standard Companies, Inc.
 - b. Commercial Enameling Company.
 - c. Eljer.
 - d. Kohler Co.
 - e. Crane Plumbing, L.L.C./Fiat Products.

PART 3 - EXECUTION

3.1 EXAMINATION

- A. Examine roughing-in of water supply and sanitary drainage and vent piping systems to verify actual locations of piping connections before plumbing fixture installation.
- B. Examine cabinets, counters, floors, and walls for suitable conditions where fixtures will be installed.
- C. Proceed with installation only after unsatisfactory conditions have been corrected.

3.2 INSTALLATION

- A. Assemble plumbing fixtures, trim, fittings, and other components according to manufacturers' written instructions.
- B. Install off-floor supports, affixed to building substrate, for wall-mounting fixtures.
 - 1. Use carrier supports with waste fitting and seal for back-outlet fixtures.
 - 2. Use carrier supports without waste fitting for fixtures with tubular waste piping.
 - 3. Use chair-type carrier supports with rectangular steel uprights for accessible fixtures.
- C. Install back-outlet, wall-mounting fixtures onto waste fitting seals and attach to supports.
- D. Install floor-mounting fixtures on closet flanges or other attachments to piping or building substrate.
- E. Install wall-mounting fixtures with tubular waste piping attached to supports.
- F. Install counter-mounting fixtures in and attached to casework.
- G. Install fixtures level and plumb according to roughing-in drawings.
- H. Install water-supply piping with stop on each supply to each fixture to be connected to water distribution piping. Attach supplies to supports or substrate within pipe spaces behind fixtures. Install stops in locations where they can be easily reached for operation.
 - 1. Exception: Use ball, gate, or globe valves if supply stops are not specified with fixture. Valves are specified in Division 22 Section "General-Duty Valves for Plumbing Piping."
- I. Install trap and tubular waste piping on drain outlet of each fixture to be directly connected to sanitary drainage system.
- J. Install tubular waste piping on drain outlet of each fixture to be indirectly connected to drainage system.

- K. Install flushometer valves for accessible water closets and urinals with handle mounted on wide side of compartment. Install other actuators in locations that are easy for people with disabilities to reach.
- L. Install toilet seats on water closets.
- M. Install faucet-spout fittings with specified flow rates and patterns in faucet spouts if faucets are not available with required rates and patterns. Include adapters if required.
- N. Install water-supply flow-control fittings with specified flow rates in fixture supplies at stop valves.
- O. Install faucet flow-control fittings with specified flow rates and patterns in faucet spouts if faucets are not available with required rates and patterns. Include adapters if required.
- P. Install shower flow-control fittings with specified maximum flow rates in shower arms.
- Q. Install traps on fixture outlets.
 - 1. Exception: Omit trap on fixtures with integral traps.
 - 2. Exception: Omit trap on indirect wastes, unless otherwise indicated.
- R. Install escutcheons at piping wall ceiling penetrations in exposed, finished locations and within cabinets and millwork. Use deep-pattern escutcheons if required to conceal protruding fittings. Escutcheons are specified in Division 22 Section "Common Work Results for Plumbing."
- S. Seal joints between fixtures and walls, floors, and countertops using sanitary-type, one-part, mildew-resistant silicone sealant. Match sealant color to fixture color. Sealants are specified in Division 07 Section "Joint Sealants."
- U. All plumbing fixtures are to be mounted at the height specified on the Architectural drawings.

3.3 CONNECTIONS

- A. Piping installation requirements are specified in other Division 22 Sections. Drawings indicate general arrangement of piping, fittings, and specialties.
- B. Connect fixtures with water supplies, stops, and risers, and with traps, soil, waste, and vent piping. Use size fittings required to match fixtures.
- C. Ground equipment according to Division 26 Section "Grounding and Bonding for Electrical Systems."
- D. Connect wiring according to Division 26 Section "Low-Voltage Electrical Power Conductors and Cables."

3.4 FIELD QUALITY CONTROL

- A. Verify that installed plumbing fixtures are categories and types specified for locations where installed.
- B. Check that plumbing fixtures are complete with trim, faucets, fittings, and other specified components.
- C. Inspect installed plumbing fixtures for damage. Replace damaged fixtures and components.
- D. Test installed fixtures after water systems are pressurized for proper operation. Replace malfunctioning fixtures and components, then retest. Repeat procedure until units operate properly.
- E. Install fresh batteries in sensor-operated mechanisms.

3.5 ADJUSTING

- A. Operate and adjust faucets and controls. Replace damaged and malfunctioning fixtures, fittings, and controls.
- B. Adjust water pressure at faucets and flushometer valves to produce proper flow and stream.
- C. Replace washers and seals of leaking and dripping faucets and stops.
- D. Install fresh batteries in sensor-operated mechanisms.

3.6 CLEANING

- A. Clean fixtures, faucets, and other fittings with manufacturers' recommended cleaning methods and materials. Do the following:
 - 1. Remove faucet spouts and strainers, remove sediment and debris, and reinstall strainers and spouts.
 - 2. Remove sediment and debris from drains.
- B. After completing installation of exposed, factory-finished fixtures, faucets, and fittings, inspect exposed finishes and repair damaged finishes.

3.7 PROTECTION

- A. Provide protective covering for installed fixtures and fittings.
- B. Do not allow use of plumbing fixtures for temporary facilities unless approved in writing by Owner.

END OF SECTION

SECTION 22 45 00 - EMERGENCY PLUMBING FIXTURES

PART 1 - GENERAL

1.1 RELATED DOCUMENTS

- A. Drawings and general provisions of the Contract, including General and Supplementary Conditions and Division 01 Specification Sections, apply to this Section.

1.2 SUMMARY

- A. This Section includes the following emergency plumbing fixtures:
 - 1. Eyewash equipment.
 - 2. Water-tempering equipment.
- B. Related Sections include the following:
 - 1. Division 22 Section "Domestic Water Piping Specialties" for backflow preventers.
 - 2. Division 22 Section "Sanitary Waste Piping Specialties" for floor drains.

1.3 DEFINITIONS

- A. Accessible Fixture: Emergency plumbing fixture that can be approached, entered, and used by people with disabilities.
- B. Plumbed Emergency Plumbing Fixture: Fixture with fixed, potable-water supply.
- C. Self-Contained Emergency Plumbing Fixture: Fixture with flushing-fluid-solution supply.
- D. Tepid: Moderately warm.

1.4 SUBMITTALS

- A. Product Data: For each type of product indicated. Include flow rates and capacities, furnished specialties, and accessories.
- B. Shop Drawings: Diagram power, signal, and control wiring.
- C. Product Certificates: Submit certificates of performance testing specified in "Source Quality Control" Article.
- D. Field quality-control test reports.
- E. Operation and Maintenance Data: For emergency plumbing fixtures to include in maintenance manuals.

1.5 QUALITY ASSURANCE

- A. Electrical Components, Devices, and Accessories: Listed and labeled as defined in NFPA 70, Article 100, by testing agency acceptable to authorities having jurisdiction, and marked for intended use.
- B. ANSI Standard: Comply with ANSI Z358.1, "Emergency Eyewash and Shower Equipment."
- C. Regulatory Requirements: Comply with requirements in ICC A117.1, "Accessible and Usable Buildings and Facilities"; Public Law 90-480, "Architectural Barriers Act" ; and Public Law 101-336, "Americans with Disabilities Act" ; for plumbing fixtures for people with disabilities.
- D. NSF Standard: Comply with NSF 61, "Drinking Water System Components--Health Effects," for fixture materials that will be in contact with potable water.

PART 2 - PRODUCTS

2.1 EYE/FACE WASH EQUIPMENT

- A. Eye/Face Wash Equipment EW-1:
 - 1. Manufacturers: Subject to compliance with requirements, provide products by one of the following:
 - a. Bradley Corporation.
 - b. Encon Safety Products.
 - c. Guardian Equipment Co.
 - d. Haws Corporation.
 - e. Lab Safety Supply Inc.
 - f. Murdock, Inc.
 - g. Sellstrom Manufacturing Co.
 - h. Speakman Company.
 - i. WaterSaver Faucet Co.
 - j. Western Emergency Equipment.
 - 2. Description: Plumbed, recessed eye/face wash equipment.
 - a. Capacity: Deliver potable water at rate not less than 3.0 gpm for at least 15 minutes.
 - b. Supply Piping: NPS 1/2 chrome-plated brass or stainless steel with flow regulator and stay-open control valve.
 - c. Control-Valve Actuator: squeeze actuator.

2.2 WATER-TEMPERING EQUIPMENT

- A. Water-Tempering Equipment:

1. Manufacturers: Subject to compliance with requirements, provide products by one of the following:
 - a. Armstrong International, Inc.
 - b. Bradley Corporation.
 - c. Encon Safety Products.
 - d. Guardian Equipment Co.
 - e. Haws Corporation.
 - f. Lawler Manufacturing Co., Inc.
 - g. Leonard Valve Company.
 - h. Powers, a Watts Industries Co.
 - i. Speakman Company.
 - j. Therm-Omega-Tech, Inc.
 - k. Western Emergency Equipment.
2. Description: Factory-fabricated, hot- and cold-water-tempering equipment with thermostatic mixing valve.
 - a. Thermostatic Mixing Valve: Designed to provide 85 deg F tepid, potable water at emergency plumbing fixtures, to maintain temperature at plus or minus 5 deg F throughout required 15-minute test period, and in case of unit failure to continue cold-water flow, with union connections, controls, metal piping, and corrosion-resistant enclosure. Provide flow rate required to equipment being served.

2.3 SOURCE QUALITY CONTROL

- A. Certify performance of plumbed emergency plumbing fixtures by independent testing agency acceptable to authorities having jurisdiction.

PART 3 - EXECUTION

3.1 EXAMINATION

- A. Examine roughing-in for water piping systems to verify actual locations of piping connections before plumbed emergency plumbing fixture installation.
 1. Proceed with installation only after unsatisfactory conditions have been corrected.

3.2 EMERGENCY PLUMBING FIXTURE INSTALLATION

- A. Assemble emergency plumbing fixture piping, fittings, control valves, and other components.
- B. Install fixtures level and plumb.
- C. Fasten fixtures to substrate.

- D. Install shutoff valves in water-supply piping to fixtures. Use ball, gate, or globe valve if specific type valve is not indicated. Install valves chained or locked in open position if permitted. Install valves in locations where they can easily be reached for operation. Valves are specified in Division 22 Section "General-Duty Valves for Plumbing Piping."
 - 1. Exception: Omit shutoff valve on supply to group of plumbing fixtures that includes emergency plumbing fixture.
 - 2. Exception: Omit shutoff valve on supply to emergency equipment if prohibited by authorities having jurisdiction.
- E. Install shutoff valve and strainer in steam piping and shutoff valve in condensate return piping.
- F. Install dielectric fitting in supply piping to fixture if piping and fixture connections are made of different metals. Dielectric fittings are specified in Division 22 Section "Common Work Results for Plumbing."
- G. Install thermometers in supply and outlet piping connections to water-tempering equipment. Thermometers are specified in Division 22 Section "Meters and Gages for Plumbing Piping."
- H. Install escutcheons on piping wall and ceiling penetrations in exposed, finished locations. Escutcheons are specified in Division 22 Section "Common Work Results for Plumbing."
- I. Fill self-contained fixtures with flushing fluid.
- J. Install equipment nameplates or equipment markers on fixtures and equipment signs on water-tempering equipment. Identification materials are specified in Division 22 Section "Identification for Plumbing Piping and Equipment."

3.3 CONNECTIONS

- A. Piping installation requirements are specified in other Division 22 Sections. Drawings indicate general arrangement of piping, fittings, and specialties.
- B. Connect cold-water-supply piping to plumbed emergency plumbing fixtures not having water-tempering equipment.
- C. Connect hot- and cold-water-supply piping to hot- and cold-water-tempering equipment. Connect output from water-tempering equipment to emergency plumbing fixtures.

3.4 FIELD QUALITY CONTROL

- A. Mechanical-Component Testing: After plumbing connections have been made, test for compliance with requirements. Verify ability to achieve indicated capacities and temperatures.

- B. Electrical-Component Testing: After electrical circuitry has been energized, test for compliance with requirements.
 - 1. Test and adjust controls and safeties.
- C. Repair or replace malfunctioning units. Retest as specified above after repairs or replacements are made.
- D. Report test results in writing.

3.5 ADJUSTING

- A. Adjust or replace fixture flow regulators for proper flow.
- B. Adjust equipment temperature settings.

END OF SECTION

THIS PAGE INTENTIONALLY LEFT BLANK

SECTION 22 63 14 - MEDICAL GAS PIPING

PART 1 - GENERAL

1.1 RELATED DOCUMENTS

- A. Drawings and general provisions of the Contract, including General and Supplementary Conditions and Division 1 Specification Sections, apply to this Section.

1.2 SUMMARY

- A. This Section includes piping and related specialties for the following medical gas systems:
 - 1. Oxygen piping, designated "oxygen," OX.
 - 2. Medical compressed-air piping, designated "medical air, MA.
 - 3. Medical-surgical vacuum piping, designated "medical vacuum," V or MV.
 - 4. Waste anesthetic gas disposal piping, designated "evacuation," EV or WAGD.
- B. Contractor furnished products and services.
 - 1. All materials – piping, fittings, hangers, labeling, etc. that are not owner-furnished required by contract documents NFPA 99, for a complete system.
- C. Related Sections include the following:
 - 1. Division 23 Section "Meters and Gages" for thermometers, pressure gages, and fittings.
 - 2. Division 22 Section "Medical Air and Medivac Equipment" for medical and dental air equipment and accessories.

1.3 SEISMIC REQUIREMENTS

- A. Component Importance Factor: All plumbing components shall be assigned a component importance factor. The component importance factor, I_p , shall be taken as 1.5 if any of the following conditions apply:
 - 1. The component is required to function for life-safety purposes after an earthquake.
 - 2. The component contains hazardous materials.
 - 3. The component is in or attached to an Occupancy Category IV structure and it is needed for continued operation of the facility or its failure could impair the continued operation of the facility.
- B. All other components shall be assigned a component importance factor, I_p , equal to 1.0.
- C. Seismic Performance: Plumbing equipment, hangers and supports shall withstand the effects of earthquake motions determined according to SEI/ASCE 7 and with the requirements specified in Section 220548 "Vibration and Seismic Controls for Plumbing Piping and Equipment.

1. For components with a seismic importance factor of 1.0 the term "withstand" means "the system will remain in place without separation of any parts when subjected to the seismic forces specified."
2. For components with a seismic importance factor of 1.5 the term "withstand" means "the system will remain in place without separation of any parts when subjected to the seismic forces specified and the system will be fully operational after the seismic event."

1.4 DEFINITIONS

- A. PTFE: Polytetrafluoroethylene.
- B. TFE: Tetrafluoroethylene.

1.5 SUBMITTALS

- A. Product Data: For the following:
 1. Medical gas tubes & fittings
 2. Medical gas valves & valve boxes.
 3. Medical gas specialties.
 4. Medical gas manifolds.
 5. Medical gas service connection & pressure control panels
 6. Medical gas service units. Include integral service connections.
 7. Medical gas alarm system components.
 8. Cylinder wall racks and storage racks.
- B. Wiring diagrams for medical gas alarm systems and tanks. Differentiate between manufacturer-installed and field-installed wiring.
- C. Coordination Drawings: For medical gas systems, including relationship to other services that serve same work areas.
- D. Brazing Certificates: As required by ASME Boiler and Pressure Vessel Code, Section 1X, or AWS B2.2
- E. Product Certificates: Signed by manufacturer certifying that copper tubing complies with NFPA 99, Paragraph 4-3.1.2.7, "Piping Materials."
- F. Certificates of Shop Inspection and Data Report: As required by ASME Boiler and Pressure Vessel Code.
- G. Inspection and test reports specified in "Field Quality Control" Article in Part 3 of this Section.
- H. Certificates of inspections and tests from an independent testing agency specified in "Field Quality Control" Article in Part 3 of this Section.
- I. Operation & Maintenance Data: For specialties to include in the maintenance manuals specified in Division 1.

J. Delegated-Design Submittal:

1. Design calculations and detailed fabrication and assembly of pipe anchors and alignment guides, hangers and supports for multiple pipes, expansion joints and loops, and attachments of the same to the building structure.
2. Locations of pipe anchors and alignment guides and expansion joints and loops.
3. Locations of and details for penetrations, including sleeves and sleeve seals for exterior walls, floors, basement, and foundation walls.
4. Seismic calculations and detailed analysis: Indicate fabrication and arrangement. Detail attachments of restraints to the restrained items and to the structure. Show attachment locations, methods, and spacings. Identify components, list their strengths, and indicate directions and values of forces transmitted to the structure during seismic events. Indicate association with vibration isolation devices. Project specific design documentation and calculations shall be prepared and stamped by a registered professional engineer who is responsible for the seismic restraint design and who is licensed in the state where the project is being constructed (ASCE 7, 13.2.1.1).

1.6 QUALITY ASSURANCE

- A. Testing Agency Services: This Division will provide an independent testing agency to inspect, test, and certify medical gas piping and components, except for inspections and tests specified in "Field Quality Control" Article in Part 3 of this Section.
- B. Testing Agency Qualifications: Demonstrate to Architect's satisfaction, based on Architect's evaluation of criteria conforming to ASTM E 699 that the independent testing agency has the experience and capability to satisfactorily conduct the testing indicated without delaying the Work.
- C. Listing and Labeling: Provide electrically operated specialties specified in this Section that are listed and labeled.
 1. Terms "Listed" and "Labeled": As defined in National Electrical Code, Article 100.
 2. Listing and Labeling Agency Qualifications: A "Nationally Recognized Testing Laboratory" as defined in OSHA Regulation 1910.7.
- D. Comply with NFPA 50, "Standard for Bulk Oxygen Systems at Consumer Sites."
- E. Comply with NFPA 70, "National Electrical Code."
- F. Comply with NFPA 99, "Health Care Facilities."
- G. Comply with UL 498, "Attachment Plugs and Receptacles."
- H. Comply with UL 544, "Medical and Dental Equipment."

1.7 DELIVERY, STORAGE, AND HANDLING

- A. Deliver and store large medical gas specialties on factory-installed shipping skids, small specialties in factory-fabricated fiberboard containers, and piping with sealing plugs in ends or with other end protection.
 - 1. Store pre-cleaned and sealed medical gas pipe, fittings, valves, and specialties with sealing plugs and sealing packaging intact.
 - 2. Label medical gas pipe, fittings, valves, and specialties that have not been pre-cleaned, or that have been pre-cleaned but have seal or packaging that is not intact, with temporary labels indicating that cleaning is required before installation.

PART 2 - PRODUCTS

2.1 MANUFACTURERS

- A. Manufacturers: Subject to compliance with requirements, provide products by one of the following:
 - 1. Medical Gas Piping Specialties:
 - a. Allied Healthcare
 - b. Pattons Medical
 - 2. Medical Gas Alarm Systems:
 - a. Allied Healthcare
 - b. Pattons Medical
 - 3. Medical Gas Storage Tanks (Bulk Oxygen Tanks):
 - a. Praxair

2.2 PIPE AND TUBES

- A. Pre-cleaned, Hard Copper Tube: ASTM B 819, Type K or Type L, seamless, drawn temper, factory cleaned, purged, and sealed for medical gas service. Include marking or labeling "CLEANED FOR MEDICAL GAS SERVICE," "CLEAN FOR OXYGEN SERVICE," "NITROGENIZED."
- B. Soft Copper Tube: ASTM B 88, Type K water tube, seamless, annealed temper. Tube may be factory cleaned, purged, and sealed for medical gas service according to ASTM B 819 or field cleaned, purged, and sealed as specified in "Preparation" Article in Part 3. Include marking or labeling "CLEANED FOR MEDICAL GAS SERVICE," "CLEAN FOR OXYGEN SERVICE," "NITROGENIZED."

2.3 PIPE AND TUBE FITTINGS

- A. Wrought-Copper Fittings: ASME B16.22, solder-joint, pressure type. Fittings may be factory cleaned, purged, and sealed for medical gas service according to ASTM B

819 or field cleaned, purged, and sealed as specified in "Preparation" Article in Part 3. Include marking or labeling "CLEANED FOR MEDICAL GAS SERVICE," "CLEAN FOR OXYGEN SERVICE," "NITROGENIZED."

- B. Bronze-Tube Flanges: ASME B16.24, Class 300.
- C. Flexible Connectors: Bronze or stainless-steel flexible pipe connectors as specified in Division 22 Section "Vibration Control."

2.4 JOINING MATERIALS

- A. Refer to Division 23 Section "Basic Mechanical Materials and Methods" for joining materials not in this Section.
- B. Brazing Filler Metals: AWS A5.8, BCuP (copper-phosphorus) series alloys. Flux is prohibited, except when used with bronze fittings.
- C. Threaded-Joint Tape: PTFE plastic.
- D. Gasket Material: ASME B16.21, nonmetallic, flat, asbestos free, and suitable for oxygen use.

2.5 VALVES AND VALVE BOXES

- A. Ball Valves, 3-Inch NPS and Smaller: MSS SP-110, bronze-body, full-port valve rated for 300-psig working pressure, with chrome-plated brass ball, PTFE or TFE seals, blowout-proof stem, threaded or braze-joint ends. Provide locking type for valves not located in valve box and handle designed for quarter turn between open and closed positions.
 - 1. Include union-type body with bolted swing-away center section.
 - 2. Include factory-cleaned, factory-sealed for oxygen use, and factory-installed, ASTM B 88, Type K or L, copper-tube extensions with pressure gage installed downstream from valve in pressure systems and upstream from valve in vacuum systems.
- B. Ball Valves, 4-Inch NPS and Larger: MSS SP-72, bronze- or iron-alloy body, full-port valve rated for 300-psig working pressure, with chrome-plated brass ball valve, PTFE or TFE seals, blowout-proof stem, flanged ends, and provide locking type for valves not located in a valve box, and handle designed for quarter turn between open and closed positions.
- C. Check Valves, 3-Inch NPS and Smaller: Bronze-body, straight-through pattern, spring-loaded ball check valve, designed for 300-psig minimum working pressure.
- D. Check Valves, 4-Inch NPS and Larger: MSS SP-71, Class 250, iron-body, bronze-trim, swing check valve, with flanged ends.
- E. Safety Valves: Bronze body with settings to match system requirements.

1. Pressure Safety Valves: ASME construction.
 2. Vacuum Relief Valves: Equipment manufacturer's option.
- F. Pressure Regulators: Brass or bronze body and trim; spring-loaded, diaphragm-operated, relieving type; manual pressure-setting adjustment; rated for 250-psig minimum inlet pressure; and capable of controlling delivered air pressure within 0.5 psig for each 10-psig inlet pressure.
- G. Automatic Drain Valves: Corrosion-resistant metal body and internal parts, 200-psig minimum working-pressure rating, capable of automatic discharge of collected condensate.
- H. Zone Valve Boxes: Minimum 0.048-inch- thick steel, valve boxes for recessed mounting, with holes for medical gas piping and anchors. Include for single- or multiple-valve (with pressure gage) installation and in sizes to permit manual operation of valves.
1. Interior Finish: Factory-applied white enamel.
 2. Cover Plate: Minimum 0.08-inch- thick aluminum or extruded-anodized aluminum with frangible or removable windows.
 3. Valve-Box Windows: Clear or tinted transparent plastic with labeling, including space for rooms served, according to NFPA 99.

2.6 MEDICAL GAS PIPING SPECIALTIES

- A. General: Provide the following medical gas piping specialties by same manufacturer:
- B. Emergency Oxygen Connection: Low-pressure gaseous-oxygen inlet assembly, consisting of weatherproof enclosure with hinged locking cover, suitable for recessed mounting, with factory-installed 1- or 1-1/4-inch NPS plugged inlet, pressure gage, and minimum 1-inch NPS ball valve, for connection to oxygen system. Include brass-body safety valve, set at 75 or 80 psig, which may be installed in enclosure or be separate for installation in oxygen piping system. Label enclosure cover "Emergency Low-Pressure Gaseous Oxygen Inlet." Comply with NFPA 99.
- C. Medical Gas Manifolds: Comply with NFPA 99, Chapter 4, "Cylinder Systems without Reserve Supply," with the following features:
1. Central Control Panel Unit: Weatherproof cabinet, supply and delivery pressure gages, electrical alarm system connections and transformer, indicator lights or devices, manifold connection, pressure changeover switch, line-pressure regulator, shutoff valves, and safety valve.
 2. Manifold and Headers: Duplex, nonferrous metal header for number of cylinders indicated on plans, divided into 2 equal banks or as noted two equal banks __ x __. Units include design for 2000-psig minimum inlet pressure, except nitrous-oxide manifolds may be designed for 800 psig and carbon-dioxide manifolds may be designed for 1500 psig. Include cylinder bank headers with flexible braided stainless steel inlet (pigtail) connections complying with CGA V-1, individual inlet check valves, shutoff valve, pressure regulator, check valve, and pressure gage.
 3. Operation: Automatic, pressure-switch-activated changeover from one cylinder bank to other cylinder bank when first bank becomes exhausted, without line-

- pressure fluctuation or resetting of regulators, and without supply interruption by shutoff of either cylinder bank header.
4. Mounting: Wall mounting, complete with mounting brackets for manifold control cabinet and headers.
 5. Mounting: Floor mounting, complete with support legs for manifold control cabinet.
 6. Label manifold control unit with permanent label identifying medical gas type and system operating pressure.
 7. Nitrous-Oxide Manifolds: 2000 cu. ft./h at 55-psig line pressure with electric heater or orifice design that will prevent freezing during high demand.
 8. Nitrogen Manifolds: 3000 cu. ft./h at 180-psig line pressure.
 9. Carbon-Dioxide Manifolds: 500 cu. ft./h at 55-psig line pressure.
 10. High-Pressure Air Manifolds: 3000 cu. ft./h at 180-psig line pressure.
- D. Service Outlets (wall type): Gas specific for services listed with roughing-in and finishing assemblies. Include the following:
1. Roughing-in Assembly: Include the following:
 - a. Steel outlet box or mounting plate.
 - b. Brass-body outlet block with secondary check valve that will prevent gas flow when primary valve is removed.
 - c. Double seals that will prevent gas leakage.
 - d. ASTM B 88, Type K, 3/8-inch NPS copper inlet or outlet tube brazed to valve with gas-service marking and tube-end dust cap.
 2. Finishing Assembly: Include the following:
 - a. Brass housing with primary check valve.
 - b. Double seals that will prevent gas leakage.
 - c. Cover plate with gas-service label.
 3. Quick-Connect Coupling: Indexing to prevent interchange between services, constructed to permit one-handed connection and removal of equipment, and with positive-locking that retains equipment stem in valve during use. Outlets to be Chemetron faceplate style. All new outlets to MATCH EXISTING HOSPITAL EQUIPMENT WITHOUT THE USE OF ADAPTERS.
 4. DISS-Type Coupling: CGA V-5, DISS-threaded indexing to prevent interchange between services; constructed to permit one-handed connection and removal of equipment.
 - a. Oxygen Outlets: CGA V-5, DISS No. 1240.
 - b. Medical Air Outlets: CGA V-5, DISS No. 1160.
 - c. Medical Vacuum Inlets: CGA V-5, DISS No. 1220.
 - d. Nitrous-Oxide Outlets: CGA V-5, DISS No. 1040.
 - e. Nitrogen Outlets: CGA V-5, DISS No. 1120.
 - f. Evacuation Inlets: CGA V-5, DISS No. 2220.
 - g. Carbon-Dioxide Outlets: CGA V-5, DISS No. 1080.
 - h. High-Pressure Air Outlets: CGA V-5, DISS No. 1160.

5. Wall Outlet Cover Plates: One-piece metal, with chrome-plated finish and permanent, color-coded, medical gas identifying label matching corresponding outlets.
 6. Vacuum Bottle-Slide Brackets: Bottle-slide and mounting assembly matching pattern of vacuum outlet. Include one slide bracket for each wall-mounted vacuum inlet, except where no slide bracket requirement is indicated or for ceiling outlets.
- E. Outlet Cover Plates: One-piece stainless steel, with NAAMM AMP 503, No. 4 finish and permanent identifying label.
- F. Outlet Cover Plates: One-piece metal, with chrome-plated finish and permanent identifying label.
- G. Outlet Cover Plates: One-piece anodized aluminum, with permanent identifying label.
- H. Service Hose Assemblies (ceiling type): Color coded, conductive, neoprene, 1/4- or 5/16-inch ID, lengths as required for finished ceiling height, and with indexed or DISS-type end-connection fittings suitable for medical gas service indicated.
1. All gases except Nitrogen, Hose Assemblies: length as required for height of ceiling with 18" of pull down loop, with quick-connect fittings, valve on one end and DISS connection at the ceiling.
 2. Nitrogen Hose Assemblies: length as required for height of ceiling, with nitrogen CGA V-5, DISS No. 1120 fittings, nut on ceiling end and female Schrader outlet on other end.
 3. All gases: provide single or double key chain retractor as required for retraction of pull down loop.
- I. Pressure Control Panels: Steel box and steel support brackets for recessed roughing-in. Include stainless-steel or anodized-aluminum cover plate with printed operating instructions. Include control panels with manifold assembly consisting of inlet supply valve, inlet supply pressure gage, line-pressure control regulator, outlet supply pressure gage, DISS service outlet, and piping outlet for remote service outlet.
1. Minimum Working Pressure: 180 psig.
 2. Line-Pressure Control Regulator: Self-relieving, diaphragm type, and with precision manual adjustment.
 3. Pressure Gages: 0- to 300-psig range.
 4. Provide temporary dust shield and U-tube for testing for use before final assembly.
 5. Nitrogen Control Panels: Label cover plate "Nitrogen Pressure Control." Include CGA V-5, DISS No. 1120 nitrogen service outlet or Schrader female outlet as required by owners.
 6. Air Control Panels: Label cover plate "Air Pressure Control." Include CGA V-5, DISS No. 1160 air service outlet or Schrader female outlet as required by owners.

2.7 MEDICAL GAS ALARM SYSTEMS

- A. Description: Compatible alarm panels, remote sensing devices, and other related components where indicated and where required by NFPA 99. Power wiring is

- specified in Division 16 Sections. Panel wiring is by Division 15, Automatic Temperature Controls.
- B. Components: Designed for continuous service and to operate on power supplied from 120-V, ac power source to alarm panels and with connections for 24- or 12-V, ac low-voltage wiring to remote sensing devices. Include step-down transformers if required.
 - C. Dew-Point Monitors: Continuous line monitoring, having panel with gage or digital display, pipeline sensing element, electrical connections for alarm system, factory- or field-installed valved bypass, and visual and cancelable audio signal for dryer site and master alarm panels. Operate alarm when pressure dew point rises above 39 deg F at 55 psig.
 - 1. Operation: Chilled-mirror method.
 - 2. Operation: Hygrometer moisture analyzer with sensor probe.
 - D. Pressure and Vacuum Switches or Pressure Transducer Sensors: Continuous line monitoring with electrical connections for alarm system.
 - 1. Low-Pressure Switches: 0- to 100-psig operating range.
 - 2. High-Pressure Switches: Up to 250-psig operating range.
 - 3. Vacuum Switches: 0- to 30-in. Hg range.
 - E. Carbon-Monoxide Monitors: Panel with gage or digital display, pipeline sensing element, electrical connections for alarm system, and factory- or field-installed valved bypass. Operate alarm when carbon-monoxide level rises above 10 ppm.
 - F. Alarm Panels: Factory wired with audible and color-coded visible signals to indicate specified functions.
 - 1. Mounting: Recessed installation.
 - 2. Enclosures: Fabricated from minimum 0.047-inch- thick steel or minimum 0.05-inch- thick aluminum, and with knockouts for electrical and piping connections.
 - G. Special Features: In addition to manufacturer's standard features, include the following:
 - 1. Area Alarm Panels: Separate trouble alarm signals; pressure and vacuum gages; and indicators for gases served - oxygen, medical air, and medical vacuum.
 - 2. Anesthetizing-Area Alarm Panels: Separate trouble alarm signals; pressure and vacuum gages; and indicators for oxygen, medical air, medical vacuum, nitrous oxide, nitrogen, evacuation, carbon dioxide, and high-pressure air.
 - 3. Signal alarms at area alarm panels and at anesthetizing-area alarm panels when the following conditions exist:
 - a. Oxygen: Pressure drops below 40 psig or rises above 60 psig.
 - b. Medical Air: Pressure drops below 40 psig or rises above 60 psig.
 - c. Medical Vacuum: Vacuum drops below 12 in. Hg.
 - d. Nitrous Oxide: Pressure drops below 40 psig or rises above 60 psig.
 - e. Nitrogen: Pressure drops below 160 psig or rises above 200 psig.
 - f. Evacuation: Vacuum drops below 12 in. Hg.
 - g. Carbon Dioxide: Pressure drops below 40 psig or rises above 60 psig.

- h. High-Pressure Air: Pressure drops below 160 psig or rises above 200 psig.

2.8 CYLINDER WALL AND STORAGE RACKS

- A. Medical Gas Cylinder Wall Racks: provide manufactured wall racks.

2.9 IDENTIFICATION

- A. Refer to Division 23 Section "Mechanical Identification" for piping, valves, gages, alarms, accessories, and labels for bulk storage tanks.

PART 3 - EXECUTION

3.1 PREPARATION

- A. General: Where factory-precleaned and -capped piping is not available, or when precleaned piping must be recleaned because of exposure, perform the following procedures:
 - 1. Clean medical gas pipe and pipe fittings, valves, gages, and other components of oil, grease, and other readily oxidizable materials as required for oxygen service, according to CGA G-4.1, "Cleaning Equipment for Oxygen Service."
 - 2. Wash medical gas piping and components in hot, alkaline cleaner-water solution of sodium carbonate or trisodium phosphate in proportion of 1 lb of chemical to 3 gal. of water.
 - a. Scrub to ensure complete cleaning.
 - b. Rinse with clean, hot water after washing to remove cleaning solution.

3.2 CONCRETE BASES

- A. Construct concrete bases of dimensions indicated, but not less than 6 inches larger in both directions than supported unit and not less than 4 inches high.
- B. Refer to Division 3 Section "Cast-in-Place Concrete" for reinforcement, framing, and concrete materials for 4000-psig, 28-day compressive strength.

3.3 PIPING APPLICATIONS

- A. General: Refer to Part 2 of this Section for the following materials:
 - 1. Interior and Medical Gas Piping: Use precleaned, hard copper tube with wrought-copper fittings and brazed joints.
 - 2. Exterior, Buried Medical Gas Piping: Use soft copper tube with wrought-copper fittings and brazed joints.

3. Underground, Protective Conduit: Use Schedule 80 PVC plastic pipe, Schedule 80 PVC plastic threaded pipe fittings, and threaded joints; or Schedule 80 PVC plastic socket-type pipe fittings, and solvent cement joints.

3.4 SERVICE ENTRANCES

- A. Extend piping and connect to bulk storage tanks and exterior manifolds, of sizes and in locations indicated for service entrances to building.
- B. Install sleeve and mechanical sleeve seal at penetrations through foundation wall for watertight installation.

3.5 PIPING INSTALLATION, GENERAL

- A. Refer to Division 23 Section "Basic Mechanical Materials and Methods" for basic piping installation.
- B. Install supports and anchors according to Division 23 Section "Hangers and Supports."
 1. Spacing between Hangers: As described in NFPA 99 and NFPA 99C.
- C. Comply with SEI/ASCE 7 and with requirements for seismic-restraint devices in Section 220548 "Vibration and Seismic Controls for Plumbing Piping and Equipment."
- D. Install emergency oxygen connection assembly with pressure relief valve and full-size discharge piping to outside, with check valve downstream from pressure relief valve, and with ball valve and check valve in supply main from bulk oxygen storage tank.
- E. Valve Applications: Use ball valves specified in this Section for main shutoff and zone valve duties.
- F. Install zone valves in valve box anchored to structure. Install valves at angle that prevents closure of cover when valve is in closed position. Single boxes may be used for multiple valves that serve same area or function.
- G. Install thermometers and pressure gages according to Division 15 Section "Meters and Gages."
- H. Install exterior, buried medical gas piping in protective conduit fabricated with PVC pipe and fittings. Do not extend conduit through foundation wall. Provide sand bedding 6" all around and metallic warming tape 18" above pipe. Bury pipe at 36" depth.
- I. Purging: Purge medical gas piping using oil-free, dry nitrogen during brazing and after installing piping but before connecting to service-outlet valves, alarms, and gages.

3.6 JOINT CONSTRUCTION

- A. Refer to Division 23 Section "Basic Mechanical Materials and Methods" for basic piping joint construction.

3.7 SPECIALTIES INSTALLATION

- A. Install specialties according to NFPA 99 and manufacturer's written instructions.
- B. Install manifolds firmly anchored to substrate and with seismic controls as indicated.
- C. Connect to ceiling-mounting service units firmly anchored to substrate according to manufacturer's written instructions.

3.8 MEDICAL GAS ALARM SYSTEM INSTALLATION

- A. General: Install alarm system components according to NFPA 99 and manufacturer's written instructions.
- B. Install alarm panels in locations indicated.

3.9 CONNECTIONS

- A. Install piping next to equipment to allow service and maintenance.
- B. Connect medical gas piping to bulk storage tanks with unions. Install with ball valves and strainers where required.
- C. Connect medical gas piping to equipment, gas manifolds, and accessories with unions. Install with ball valves and strainers.
 - 1. Install flexible pipe connectors on air piping connections to air compressors, vacuum piping connections to vacuum units, and where indicated.
 - 2. Install thermometers on air-compressor discharge piping, air receiver tanks, vacuum receiver tanks, and where indicated.
 - 3. Install pressure gages on air-compressor discharge piping, air receiver tanks, vacuum receiver tanks, and where indicated.
 - 4. Install pressure regulators downstream from air compressors, dryers, purification units, and filter assemblies.
- D. Install medical gas piping and electrical connections to medical gas alarm system components.
- E. Arrange for electric-power connections to specialties and devices that require power. Electric power, wiring, and disconnect switches are specified in Division 26 Sections.

3.10 LABELING AND IDENTIFICATION

- A. Install labeling on valves, valve-box covers, and alarm panels according to requirements of NFPA 99.

- B. Refer to Division 23 Section "Mechanical Identification" for labeling and identification materials.
- C. Captions and Color Coding: Use the following or similar medical gas captions and color coding for specialties, when specified and where required by NFPA 99:
 - 1. Oxygen: White letters on green background.
 - 2. Medical Air: Black or white letters on yellow background.
 - 3. Medical Vacuum: Black letters on white background.
 - 4. Nitrous Oxide: White letters on blue background.
 - 5. Nitrogen: White letters on black background.
 - 6. Evacuation: Black letters on white background or white letters on purple background.
 - 7. Carbon Dioxide: White letters on gray background.
- D. Label medical gas systems operating at other than standard pressure with system operating pressure.
- E. Install continuous metallic underground warning tape during backfilling of trench for underground medical gas piping.
- F. Refer to Division 2 Section "Earthwork" for warning tapes.

3.11 FIELD QUALITY CONTROL

- A. Pressure Test: Subject each piping section of each system, except high-pressure air and nitrogen, to test pressure of from 150 to 200 psig and high-pressure air and nitrogen systems to test pressure of 250 psig with oil-free, dry nitrogen before attaching system components, after installing station outlets with test caps (when supplied) in place, and before concealing piping system. Maintain test until joints are examined for leaks by means of soapy water.
- B. Standing-Pressure Test: Install assembled system components after testing individual systems as specified above. Subject systems to 24-hour standing-pressure test at 20 percent above normal line pressure, but not less than 66 psig. Subject vacuum and evacuation systems to 12- to 18-in. Hg minimum vacuum instead of pressure test.
- C. Repair leaks, replace damaged components with new materials, and retest system until satisfactory results are obtained.
- D. Inspect, test, and certify complete medical gas systems according to requirements of NFPA 99, "Health Care Facilities." Inspect, test, and certify each medical gas system, including each piping system, outlets and inlets, accessories, alarm panels and devices, safety devices, medical gas sources, and equipment.
- E. Provide oil-free, dry nitrogen; materials; equipment; and labor required for testing.
- F. Provide medical gases required for testing systems.
- G. Prepare written reports of tests results, including corrective action.

- H. Certify that medical gas systems comply with requirements specified, that tests were properly performed, and that test results were satisfactory.
- I. Inspect outlets and inlets, gages, alarms, and zone valves for proper labeling for gas service and function.
- J. Inspect manifold supply systems for installation and operation as required by NFPA 99, Chapter 4, "Gas and Vacuum Systems."
- K. Inspect bulk oxygen supply systems for installation and operation as required by NFPA 50.
- L. Inspect bulk nitrous-oxide supply systems for installation and operation as required by CGA G-8.1.
- M. Phase I Tests: Perform the following tests using oil-free, dry nitrogen after installing gas systems but before connecting new systems to existing gas sources:
 - 1. Outlet and Inlet Cross-Connection Test: Pressurize one medical gas system to 50 psig, with other systems at atmospheric pressure, and access each outlet with appropriate adapter and test gage. Repeat procedure for each system.
 - 2. Outlet and Inlet Cross-Connection Test: Pressurize each system in 10-psig increments and access each outlet with appropriate adapter and test gage.
 - 3. Alarm System Test: Test for operation of functions specified in "Medical Gas Alarm Systems" Article within limits required.
 - 4. Pressure Test: Test systems at operational pressure with system components installed. No leaks are allowed. Conduct tests by zone.
 - 5. Particulate Sampling: Test positive-pressure terminal outlets, using 0.45-micron filter, for evidence of solid particulate contamination. Allowable limit is 2 mg/cu. m.
 - 6. Moisture: Test positive-pressure terminal outlets for dew point to verify absence of moisture in piping. Dew point of gas dispensed from terminal outlets shall not exceed dew point of source test gas by more than 4 deg F.
 - 7. System Purity: Test terminal outlets and gas source for contaminant levels as defined below. Excessive contaminant levels will require additional purging to outlets within specific zone until levels are within the following limits:
 - a. Total Hydrocarbons as Methane: One ppm.
 - b. Halogenated Hydrocarbons: 2 ppm.
 - c. Carbon Monoxide: 2 ppm.
 - 8. Air-Compressor Purity: Collect medical air-compressor air samples taken from downstream side of filters and air dryers. Test samples for contaminants and moisture within the following limits:
 - a. Total Hydrocarbons as Methane: 25 ppm.
 - b. Halogenated Hydrocarbons: 5 ppm.
 - c. Carbon Monoxide: 10 ppm.
 - d. Moisture, Dew Point: Plus 40 deg F at dryer discharge.
- N. Phase II Tests: After Phase I testing has been completed, test completed medical gas systems using applicable medical gas for each system. Completed systems have

outlets and inlets, alarms, and gages installed; and gas supply systems are installed and ready for operation.

1. Final Purging: Introduce applicable medical gas for each system into respective piping systems. Purge installed outlet valves to remove nitrogen test gas present from Phase I testing. Test vacuum inlets for ability to flow.
 2. Outflow Analysis: Analyze medical gas at positive-pressure outlets to confirm delivery of proper medical gas at proper concentration level. Minimum allowable concentration levels are defined by U.S. Pharmacopeia's USP-NF and the following CGA Commodity Specifications:
 - a. CGA G-4.3, "Commodity Specification for Oxygen."
 - b. CGA G-6.2, "Commodity Specification for Carbon Dioxide."
 - c. CGA G-7.1, "Commodity Specification for Air."
 - d. CGA G-8.2, "Commodity Specification for Nitrous Oxide."
 - e. CGA G-10.1, "Commodity Specification for Nitrogen."
 3. System Delivery Pressures: Test pressure piping systems to confirm supply sources are set to deliver gas at the following nominal pressure levels:
 - a. All Systems, except Nitrogen and High-Pressure Air: 50 to 55 psig at maximum flow.
 - b. Nitrogen and High-Pressure Air: 180 psig minimum at maximum flow.
 4. System Suction Levels: Test vacuum and evacuation piping systems to confirm that vacuum producers are set to maintain suction of not less than 12 in. Hg at most distant inlets.
- O. Testing Agency Certification: Certify that specified inspection, tests, and procedures have been performed and report results. Include the following:
1. Inspections performed.
 2. Procedures, materials, and gases used.
 3. Test methods used.
 4. Results of tests.

3.12 COMMISSIONING

- A. Startup Services: Engage a factory-authorized service representative to inspect alarm system installation and to provide startup service.
 1. Test and adjust controls and safeties. Replace damaged and malfunctioning controls and equipment discovered by service representative.
- B. Perform the following final checks before startup:
 1. Verify that specified tests of piping are complete.
 2. Check safety valves for correct settings. Ensure settings are greater than air-compressor discharge pressure, but not greater than rating of system components.

3.13 DEMONSTRATION

- A. Startup Services: Engage a factory-authorized service representative to demonstrate procedures for alarm system startup and shutdown, preventive maintenance and servicing, and troubleshooting. Review operating and maintenance information.
- B. Provide written notice 7 days in advance of demonstration.

END OF SECTION

SECTION 22 67 00 - DEIONIZED PURE WATER SYSTEM**PART 1 – GENERAL****1.1 SCOPE OF THE WORK:**

- A. Furnish and install a complete deionizing system as shown on the drawings and as hereinafter specified. Water purification system supplier shall have been in the ultra pure water purification business for a minimum of 5 years.

1.2 SUBMITTALS:

- A. Submit product data:
 - 1. Manufacturer's Literature and Data:
 - a. Storage tank(s) including vent filters and level controls
 - b. Ultraviolet sterilizer(s)
 - c. Repressure pumps
 - d. Deionizer
 - e. Water quality monitor
 - f. Back pressure regulating valve
 - 2. The equipment shall be installed under the supervision of a manufacturer's representative who will place the equipment in service and instruct the owner's personnel in its operation, care, and maintenance.
 - 3. All brackets, hangers, supports, unions, valves, drains, controls etc. necessary for a complete and operating system shall be provided and installed by this section.

PART 2 - PRODUCTS**2.1 PURE WATER SYSTEM:**

- A. Vendor shall provide a pure water system of approved design, complete from inlet to outlet, having the capacity, flow rate, and operational requirements as hereinafter described. The components listed herein shall be supplied by Vendor. The completed installation of the system shall be inspected by Vendor's representative, who shall place the equipment in service and instruct the owner's personnel in its care, maintenance and operation.

2.2 PURE WATER SYSTEM GENERAL:

- A. The items in this specification are placed in order of water flow through the system.

Quantity	Item
1	Auto Fill Valve
4	Deionizer tanks
1	Storage Tank with Breather Filters
1	Level Controls
2	Repressure Pumps
1	Ultraviolet Sterilizer
1	Water Quality Resistivity Control/Monitor & Alarm
1	Pressure Sustaining Valve

2.3 DEIONIZED WATER STORAGE TANK

Vendor shall supply one DI water storage tanks constructed of polyethylene, enclosed domed top with fillwell. The tanks shall be manufactured by Norwesco, with a capacity of 500 gallons. Tank shall be steam cured. It shall be fitted with all necessary plumbing to fill and empty the tank and level indicators. Two hydrophobic polysulfone media air vent filters with a micron rating of 0.2 shall be provided.

2.4 LEVEL CONTROLS FOR DEIONIZED WATER STORAGE TANK

Level controls shall be installed in the water storage tank which will maintain the correct level of water in the storage tank. The level switches shall be an ultrasonic with open/closed contacts. The level floats shall control the on and off of the fill valve and also shall have a low level pump safety shut-off to prevent pump burn in the event of a no-water situation.

2.5 RECIRCULATION PUMPS WITH VFD

Vendor shall provide two (2) Goulds pumps, with a 10 horsepower TEFC motor, 3/60 208-230/460 volt motor Pump shall be 316 stainless steel. Pumps shall be supplied with appropriate Aquavar VFD.

2.6 ULTRAVIOLET STERILIZER

Vendor shall provide one (1) Atlantic Ultraviolet Model S5000C ultraviolet sterilizer systems for water disinfection. One for total organic carbon (TOC) control. This unit will be equipped with 185 nanometer (Nm) lamps for TOC control. The 185 Nm UV system shall be placed ahead of the deionized water tanks. Following the deionized water tanks shall be a UV system equipped with 254 Nm lamps for microorganism control. The UV units shall have an inlet and outlet of 2" NPT connections with a design flow rate of ~~35~~ 80 gpm on RO/DI water. The chamber shall be 316 stainless steel. Each unit will have an ultraviolet monitor that will indicate the level of

germicidal ultraviolet energy that penetrates the quartz sleeve and the water within the disinfection chamber.

2.7 DEIONIZED WATER TANKS

Vendor shall provide four (4) Two-bed FRP deionizers tanks as shown on Pure Water Schematic. Tanks shall be 14" in diameter and 47" in height. Tanks shall contain 3.6 cubic feet of resin and have an operating pressure of 100 psig.

2.8 WATER QUALITY METER/MONITOR AND ALARM

Vendor shall provide a Myron L. resistivity monitor, model 753II-11 that shall have a single range 0-20 megohm and a single cell input to provide a continuous readout of the water quality. The monitor shall be equipped with LED to indicate above or below set point, a digital meter display and a "set point check" switch.

2.9 BACK PRESSURE RECIRCULATING VALVE

Vendor shall provide a back pressure regulating valve, Plast-O-Matic, model RVDT150V-PP. Valve shall be 1-1/2" in size and shall be constructed of polypropylene. A hand wheel shall be mounted on an adjusting screw for easy setpoint adjustment.

PART 3 - EXECUTION

3.1 EXAMINATION

- A. Examine areas and conditions, with Installer present, for compliance with requirements for installation tolerances and other conditions affecting performance of pure water system
- B. Examine roughing-in for piping systems to verify actual locations of piping connections before equipment installation.
- C. Examine walls and floors for suitable conditions where equipment will be installed.
- D. Proceed with installation only after unsatisfactory conditions have been corrected.

3.2 EQUIPMENT MOUNTING

- A. Equipment Mounting: Install filters and tanks on concrete bases.
 - 1. Install dowel rods to connect concrete base to concrete floor. Unless otherwise indicated, install dowel rods on 18-inch centers around full perimeter of concrete base.
 - 2. For supported equipment, install epoxy-coated anchor bolts that extend through concrete base and anchor into structural concrete floor.
 - 3. Place and secure anchorage devices. Use setting drawings, templates, diagrams, instructions, and directions furnished with items to be embedded.
 - 4. Install anchor bolts to elevations required for proper attachment to supported equipment.

3.3 CONNECTIONS

- A. Comply with requirements for piping specified in Division 22 Section "Pure Water Piping." Drawings indicate general arrangement of piping, fittings, and specialties.
- B. Install piping adjacent to equipment to allow service and maintenance.
- C. Make piping connections between water filtration equipment and dissimilar-metal water piping with dielectric fittings. Comply with requirements for dielectric fittings specified in Division 22 Section "Pure Water Piping."
- D. Install shutoff valves on feedwater-inlet and filtrate-outlet piping of each water filtration equipment filter and on inlet and outlet headers.
 - 1. Comply with requirements for pure water valves specified in Division 22 Section "Pure Water Piping."
 - 2. Exception: Water filtration equipment with factory-installed shutoff valves at locations indicated.
- E. Install pressure gages on feedwater-inlet and filtrate-outlet piping of each water filtration equipment filter. Comply with requirements for pressure gages specified in Division 22 Section "Meters and Gages for Plumbing Piping."
 - 1. Exception: Water filtration equipment with factory-installed pressure gages at locations indicated.
 - 2. Exception: Cartridge water filters.
- F. Install valved bypass water piping around each water filtration equipment filter.
 - 1. Comply with requirements for pure water valves specified in Division 22 Section "Pure Water Piping."
- G. Install drains as indirect wastes to spill into open drains or over floor drains.

3.4 IDENTIFICATION

- A. Identify system components. Comply with requirements for identification specified in Division 22 Section "Identification for Plumbing Piping and Equipment."

3.5 FIELD QUALITY CONTROL

- A. Manufacturer's Field Service: Engage a factory-authorized service representative to inspect, test, and adjust components, assemblies, and equipment installations, including connections.
- B. Perform tests and inspections.
 - 1. Manufacturer's Field Service: Engage a factory-authorized service representative to inspect components, assemblies, and equipment installations, including connections, and to assist in testing.
- C. Tests and Inspections:

DEIONIZED PURE WATER SYSTEM

1. Leak Test: After installation, charge system and test for leaks. Repair leaks and retest until no leaks exist.
 2. Operational Test: After electrical circuitry has been energized, start units to confirm proper unit operation.
 3. Test and adjust controls and safeties. Replace damaged and malfunctioning controls and equipment.
- D. Water filtration equipment will be considered defective if it does not pass tests and inspections.
- E. Prepare test and inspection reports.

3.6 STARTUP SERVICE

- A. Engage a factory-authorized service representative to perform startup service for filters and pure water equipment.
1. Complete installation and startup checks according to manufacturer's written instructions.
- B. Sample system filtrate after startup and at three consecutive seven-day intervals (total of four samples), and prepare certified test reports for required water performance characteristics.

3.7 DEMONSTRATION

- A. Engage a factory-authorized service representative to train Owner's maintenance personnel to adjust, operate, and maintain the pure water equipment.

END OF SECTION

THIS PAGE INTENTIONALLY LEFT BLANK

SECTION 22 67 10 - PURE WATER PIPING

PART 1 - GENERAL

1.1 RELATED DOCUMENTS

- A. Drawings and general provisions of the Contract, including General and Supplementary Conditions and Division 1 Specification Sections, apply to this Section.

1.2 SUMMARY

- A. This Section includes pure water piping.

1.3 DEFINITIONS

- A. PP: Polypropylene plastic.
- B. PVC: Polyvinyl chloride plastic.

1.4 PERFORMANCE REQUIREMENTS

- A. Provide components and installation capable of producing piping with the following minimum working-pressure ratings, unless otherwise indicated:
 - 1. Deionized (Reagent grade) Water Piping: 150 psig unless otherwise indicated.

1.5 SUBMITTALS

- A. Product Data: For each type of pipe and fitting indicated.
- B. Welding certificates.
- C. Samples of field quality-control test reports.

1.6 QUALITY ASSURANCE

- A. Piping materials shall bear label, stamp, or other markings of specified testing laboratory.
- B. Welding: Qualify procedures and personnel according to ASME Boiler and Pressure Vessel Code: Section IX.
- C. ASME Compliance: Comply with ASME B31.3, "Process Piping."

1.7 DELIVERY, STORAGE, AND HANDLING

- A. Do not store plastic pipe and fittings in direct sunlight.
- B. Protect pipe and fittings from dirt and damage.

PART 2 - PRODUCTS

2.1 MANUFACTURERS

- A. In other Part 2 articles where titles below introduce lists, the following requirements apply to product selection:
 - 1. Manufacturers: Subject to compliance with requirements, provide products by one of the manufacturers specified.

2.2 PIPING MATERIALS

- A. Refer to Part 3 "Piping Applications" Article for applications of pipe, fitting, and joining materials.
- B. Transition Fittings: Couplings, flanges, or other manufactured fittings, same size as, with pressure rating at least equal to and ends compatible with piping to be joined.

2.3 PLASTIC PIPE AND FITTINGS

- A. Schedule 80, CPVC Pipe and Fittings: Ultra-pure piping and fittings are to be low extractable CPVC with a Cell classification of 12343 per ASTM D1784, Schedule 80 with a type II pressure rating. .
 - 1. Manufacturers:
 - a. Spears LXT

2.4 PLASTIC VALVES

- A. CPVC Valves: Made from ASTM D 1784, CPVC compounds.
 - 1. Ball Valves, NPS 2 and Smaller: MSS SP-122, union type with socket ends and pressure rating not less than 150 psig at 73 deg F.
 - 2. Check Valves: Swing or ball type with pressure rating not less than 150 psig at 73 deg F.

PART 3 - EXECUTION

3.1 PIPING APPLICATIONS

- A. Transition and special fittings with pressure ratings at least equal to and of material same as, or compatible with, piping may be used in applications in this article, unless otherwise indicated.
- B. Pure -Water Piping: Use the following piping materials for each size range:
 - 1. Spears Schedule 80 LXT CPVC pipe and fittings and glued joints.
 - 2. Piping running in the plenum shall be wrapped with an approved fire wrap to meet the fire and smoke requirements of the plenum.

3.2 VALVE APPLICATIONS

- A. Drawings indicate valve types to be used. Where specific valve types are not indicated, the following requirement apply:
 - 1. Shutoff Duty: Use ball valves.
 - 2. Throttling Duty: Use ball valves.
- B. General Locations and Arrangements: Drawing plans and details indicate general location and arrangement of deionized-water piping. Location and arrangement of piping layout take design considerations into account. Install piping as indicated, to extent practical. Where specific installation is not indicated, follow piping manufacturer's written instructions.
- C. Refer to Division 23 Section "Basic Mechanical Materials and Methods" for general piping installation requirements.

3.3 JOINT CONSTRUCTION

- A. Refer to Division 23 Section "Basic Mechanical Materials and Methods" for basic piping joint construction. Where specific joint construction is not indicated, follow piping manufacturer's written instructions. Join in accordance with manufacturers recommendations.
- B. Joint dissimilar pipe materials with transition fittings compatible with pipe materials being joined.

3.4 VALVE INSTALLATION

- A. Refer to Division 23 Section "Valves" for general valve installation requirements.

- B. Install sectional valves close to mains on each branch and riser serving equipment.
- C. Install shutoff valve on each supply to equipment.

3.5 HANGER AND SUPPORT INSTALLATION

- A. Seismic-restraint devices are specified in Division 23 Section "Mechanical Vibration and Seismic Controls."
- B. Pipe hanger and support devices and installation requirements are specified in Division 23 Section "Hangers and Supports." Install the following:
 - 1. Clamps for Vertical Piping: MSS Type 8 or Type 42.
 - 2. Individual, Straight, Horizontal Piping Runs:
 - a. 100 Feet and Less: MSS Type 1, adjustable, steel clevis hangers.
 - b. Longer Than 100 Feet: MSS Type 43, adjustable roller hangers.
 - c. Longer Than 100 Feet, if Indicated: MSS Type 49, spring cushion rolls.
 - 3. Multiple, Straight, Horizontal Piping Runs 100 Feet or Longer: MSS Type 44, pipe rolls. Support pipe rolls on trapeze.
 - 4. Base of Vertical Piping: MSS Type 52, spring hangers.
- C. Support horizontal piping and tubing within 12 inches of each fitting, valve, and coupling.
- D. Support vertical piping and tubing at base and at each floor.
- E. Rod diameter may be reduced 1 size for double-rod hangers, to minimum of 3/8 inch.
- F. Install padded hangers for CPVC piping with the following maximum horizontal spacing and minimum rod diameters:
 - 1. NPS 1-1/4 and Smaller: 36 inches with 3/8-inch rod.
 - 2. NPS 1-1/2 and NPS 2: 42 inches with 3/8-inch rod.
 - 3. NPS 2-1/2 to NPS 3-1/2: 48 inches mm with 1/2-inch rod.
 - 4. NPS 4 and NPS 5 and DN 125: 48 inches with 5/8-inch rod.
 - 5. NPS 6: 48 inches with 3/4-inch rod.
 - 6. NPS 8: 48 inches with 7/8-inch rod.
- G. Install padded supports for vertical PVC piping every 48 inches.
- H. Support piping and tubing not listed above according to MSS SP-69 and manufacturer's written instructions.

3.6 CONNECTIONS

- A. Drawings indicate general arrangement of piping, fittings, and specialties.

- B. Install piping adjacent to equipment and machines to allow service and maintenance.
- C. Connect deionized-water piping to equipment and service outlets with unions or flanges.

3.7 LABELING AND IDENTIFICATION

- A. Install pipe markers and valve tags on piping. Distinguish between different systems and include direction of flow indication on each pipe. Labeling and identification devices are specified in Division 23 Section "Mechanical Identification."

3.8 FIELD QUALITY CONTROL

- A. Test new piping and parts of existing piping that have been altered, extended, or repaired, for leaks and defects.
 - 1. Schedule tests and their inspections by authorities having jurisdiction, with at least 24 hours' advance notice.
 - 2. Do not cover or put into service before inspection and approval.
 - 3. Test completed piping according to authorities having jurisdiction. If authorities having jurisdiction do not have published procedures, perform tests as follows:
 - a. Hydrostatic Tests: Test piping at pressure not less than 1-1/2 times the maximum system operating pressure, but not less than 150 psig.
 - b. Exception: Do not subject glass piping to pressure above manufacturer's pressure rating for size.
 - 4. Replace leaking joints with new materials and retest until no leaks exist.
 - 5. Submit separate reports for each test.

3.9 CLEANING

- A. Use procedures prescribed by authorities having jurisdiction or, if not prescribed, use procedures described below:
 - 1. Purge new piping and parts of existing piping that have been altered, extended, or repaired before using.
 - 2. Clean piping by flushing with system deionized water.

END OF SECTION

THIS PAGE INTENTIONALLY LEFT BLANK

SECTION 23 01 00 - MECHANICAL REQUIREMENTS

PART 1 - GENERAL

1.1 GENERAL CONDITIONS

- A. The General Conditions of the Contract, with the amendments, supplements, forms and requirements in Division 1, and herewith made a part of this Division.
- B. All sections of Division 21, 22, & 23 shall comply with the Mechanical General Requirements. The standards established in this section as to quality of materials and equipment, the type and quality of workmanship, mode of operations, safety rules, code requirements, etc., shall apply to all sections of this Division as though they were repeated in each Division.
- C. Mechanical equipment that is pre-purchased if any will be assigned to the Mechanical Contractor. By assignment to the Mechanical Contractor, the Mechanical Contractor shall accept and installed the equipment and provide all warranties and guarantees as if the Mechanical Contractor had purchased the equipment.
- D. Construction Indoor-Air Quality Management
 - 1. Comply with SMACNA's "SMACNA IAQ Guideline for Occupied Buildings under Construction."
 - a. If Owner authorizes use of permanent heating, cooling, and ventilating systems during construction period as specified in Division 01 Section "Temporary Facilities and Controls," install filter media having a MERV 8 according to ASHRAE 52.2 at each return-air inlet for the air-handling system used during construction.
 - b. Replace all air filters immediately prior to occupancy.
 - 2. Comply with one of the following requirements:
 - a. After Construction ends, prior to occupancy and with all interior finishes installed, perform a building flush-out by supplying a total volume of 14000 cu. Ft. of outdoor air per sq. ft. of floor area while maintaining an internal temperature of at least 60 deg F and a relative humidity no higher than 60 percent.
 - b. If occupancy is desired prior to flush-out completion, the space may be occupied following delivery of a minimum of 3500 cu. ft. of outdoor air per sq. ft. of floor area to the space. Once a space is occupied, it shall be ventilated at a minimum rate of 0.30 cfm per sq. ft. of outside air or the design minimum outside air rate determined in EQ Prerequisite 1, whichever is greater. During each day of the flush-out period, ventilation shall begin a minimum of three hours prior to occupancy and continue during occupancy. These conditions shall be maintained until a total of 14000 cu. ft./sq. ft. of outside air has been delivered to the space.

1.2 SCOPE OF WORK

- A. The project described herein is the INTERMOUNTAIN HEALTHCARE LOGAN CAMPUS RECONFIGURATION - ASC. This work shall include all labor, materials, equipment, fixtures, and devices for the entire mechanical work and a complete operating and tested installation as required for this project.
- B. This Division will schedule the boiler inspection and pay for all costs associated with certifying the boiler with the state.

1.3 CODES & ORDINANCES

- A. All work shall be executed in accordance with all underwriters, public utilities, local and state rules and regulations applicable to the trade affected. Should any change in the plans and Specifications be required to comply with these regulations, the Contractor shall notify the Architect before the time of submitting his bid. After entering into contract, the Contractor will be held to complete all work necessary to meet these requirements without extra expense to the Owner. Where work required by drawings or specifications is above the standard required, it shall be done as shown or specified.
- B. Applicable codes:
 - 1. Utah Boiler and Pressure Vessel Rules and Regulations-2019 Edition
 - 2. International Building code- 2018 Edition
 - 3. International Mechanical Code- 2018 Edition
 - 4. International Plumbing Code- 2018 Edition
 - 5. International Fire Code- 2018 Edition
 - 6. International Energy Code- 2018 Edition
 - 7. International Fuel Gas Code- 2018 Edition
 - 8. National Electrical Code- 2017 Edition

1.4 INDUSTRY STANDARDS

- A. All work shall comply with the following standards.
 - 1. Associated Air Balance council (AABC)
 - 2. Air Conditioning and Refrigeration Institute (ARI)
 - 3. Air Diffusion council (ADC)
 - 4. Air Movement and Control Association (AMCA)
 - 5. American Gas Association (AGA)
 - 6. American National Standards Institute (ANSI)
 - 7. American Society of Heating, Refrigeration, and Air Conditioning Engineers (ASHRAE)
 - 8. American Society of Mechanical Engineers (ASME)
 - 9. American Society of Testing Materials (ASTM)
 - 10. American Water Works Association (AWWA)
 - 11. Cooling Tower Institute (CTI)
 - 12. ETL Testing Laboratories (ETL)
 - 13. Institute of Electrical and Electronic Engineers (IEEE)
 - 14. Hydronics Institute (HI)
 - 15. Manufacturers Standardization Society of the Valve and Fitting Industry (MSS)
 - 16. National Fire Protection Association (NFPA)

17. National Electrical Code (NEC)
18. National Electrical Manufacturers Association (NEMA)
19. National Electrical Safety code (NESC)
20. Utah safety Standard (OSHA), Utah State Industrial Council.
21. Sheet Metal and Air Conditioning Contractor's National Association (SMACNA)
22. Underwriters Laboratories (UL)
23. Tubular Exchanger Manufacturers Association, Inc. (TEMA)
24. Heat Exchanger Institute (HEI)
25. Hydraulic Institute (HI)
26. Thermal Insulation Manufacturer=s Association (TIMA)
27. Scientific Apparatus Makers Association (SAMA)

B. Compliance Verification:

1. All items required by code or specified to conform to the ASME code shall be stamped with the ASME seal.
2. Form U-1, the manufacturer=s data report for pressure vessels, is to be included in the Operation and Maintenance Manuals. National Board Register (NBR) numbers shall be provided where required by code.
3. Manufactured equipment which is represented by a UL classification and/or listing, shall bear the UL or equivalent ETL label.

1.5 UTILITIES & FEES

- A. All fees for permits required by this work will be paid by this division. The contractor shall obtain the necessary permits to perform this work. Unless noted otherwise, all systems furnished and or installed by this Contractor, shall be complete with all utilities, components, commodities and accessories required for a fully functioning system. This Contractor shall furnish smoke generators when required for testing, furnish glycol for glycol piping systems, full load of salt to fill brine tank for water softening system, furnish cleaners and water treatment additives.

1.6 SUBMITTALS AND SHOP DRAWINGS

- A. General: As soon as possible after the contract is awarded, but in no case more than 45 calendar days thereafter, the Contractor shall submit to the Architect manufacturer's data on products and materials to be used in the installation of mechanical systems for this project. The review of the submitted data will require a minimum of **14 days**. The first day starts after the day they are received in the engineer's office to which the project is being constructed from. If the Contractors schedule requires return of submitted literature in less than the allotted time, the Contractor shall accelerate his submittal delivery date. The Contractor shall resubmit all items requiring re-review within **14 days** of returned submittals. Refer to each specification section for items requiring submittal review. **If the re-submittal is returned a 2nd time for correction the Contractor will provide the specific equipment that is specified on the drawings and/or the specifications.** Written approval of the Owner's Representative shall be obtained before installing any such equipment or materials for the project.
- B. Review by the Owner's Representative is for general conformance of the submitted equipment to the project specification. **In no way** does such review relieve this Contractor

of his obligation to furnish equipment and materials that comply in detail to the specification **nor does it relieve** the Contractor of his obligation to determine actual field dimensions and conditions that may affect his work. **Regardless of any items overlooked** by the submittal review, the requirements of the contract drawings and specifications **must be followed** and are not waived or superseded **in any way** by the review.

- C. By description, catalog number, and manufacturer's names, standards of quality have been established by the Architect and the Engineer for certain manufactured equipment items and specialties that are to be furnished by this Division. Alternate products and equipment may be proposed for use only if specifically named in the specifications or if given written prior approval in published addenda. Design equipment is the equipment listed on the drawings or if not listed on the drawings is the equipment first named in the specifications.
- D. If the Engineer is required to do additional design work to incorporate changes caused by submitting equipment or products, different than the design equipment specified, as defined above, the contractor shall reimburse the engineer for additional time and expenses at the engineer's current, recognized, hourly rates.
- E. Submittal Format: At the contractor's discretion, project submittals may be in either of the formats described in the following paragraphs, but mixing the two formats is not acceptable.
 - 1. Hardcopy Submittal Format: **Six (6)** copies of the descriptive literature covering products and materials to be used in the installation of mechanical systems for this project will be provided for review. The submittals shall be prepared in an orderly manner, contained in a 3-ring loose-leaf binder with index and identification tab for each item or group of items and for each specification section. All items shall be submitted at one time except automatic temperature control drawings and seismic restraint drawings which may be submitted separately within **120 days** of the contract award date. Partial submittals will not be reviewed until the complete submittal is received.
 - a. Submitted literature shall bear the Contractor's stamp, indicating that he has checked all equipment being submitted; that each item will fit into the available space with the accesses shown on the drawings; and, further, that each item conforms to the capacity and quality standards given in the contract documents.
 - b. Submitted literature shall clearly indicate performance, quality, and utility requirements; shall show dimension and size of connection points; and shall include derating factors that were applied for each item of equipment to provide capacity at job site elevation. Temperature control submittals shall include piping and wiring diagrams, sequence of operation and equipment. Equipment must fit into the available space with allowance for operation, maintenance, etc. Factory piped and wired equipment shall include shop drawings for all internal wiring and piping furnished with the unit.
 - c. Submitted literature shall clearly show all required field install wiring, piping, and accessory installations required by the Contractor to provide a complete operating system.
 - 2. Electronic Submittal Format: Identify and incorporate information in each electronic submittal file as follows:

- a. All items shall be submitted at one time except automatic temperature control drawings and seismic restraint drawings which may be submitted separately within **120 days** of the contract award date. Partial submittals will not be reviewed until the complete submittal is received.
- b. Submitted electronic file shall bear the Contractor's stamp, indicating that he has checked all equipment being submitted; that each item will fit into the available space with the accesses shown on the drawings; and, further, that each item conforms to the capacity and quality standards given in the contract documents.
- c. Submitted electronic file shall clearly indicate performance, quality, and utility requirements; shall show dimension and size of connection points; and shall include derating factors that were applied for each item of equipment to provide capacity at job site elevation. Temperature control submittals shall include piping and wiring diagrams, sequence of operation and equipment. Equipment must fit into the available space with allowance for operation, maintenance, etc. Factory piped and wired equipment shall include shop drawings for all internal wiring and piping furnished with the unit.
- d. Submitted electronic file shall clearly show all required field install wiring, piping, and accessory installations required by the Contractor to provide a complete operating system.
- e. Assemble complete submittal package into a single indexed file incorporating submittal requirements of a single Specification Section and transmittal form with links enabling navigation to each item.
- f. Name file with submittal number or other unique identifier, including revision identifier.
- g. Electronic file shall be completely electronically searchable or it will be rejected.**
- h. Provide means for insertion to permanently record Contractor's review and approval markings and action taken by:

1) Architect.

- i. Transmittal Form for Electronic Submittals:
 - 1) Use one of the following options acceptable to the Owner;
 - a) Software-generated form from electronic project management software.**
 - b) Electronic form.**
 - 2) The Electronic Submittal shall contain the following information:
 - a) Project name.
 - b) Date.
 - c) Name and address of Architect.
 - d) Name of Construction Manager.
 - e) Name of Contractor.
 - f) Name of firm or entity that prepared submittal.
 - g) Names of subcontractor, manufacturer, and supplier.
 - h) Category and type of submittal.
 - i) Submittal purpose and description.
 - j) Specification Section number and title.
 - k) Specification paragraph number or drawing designation and generic name for each of multiple items.

- l) Drawing number and detail references, as appropriate.
 - m) Location(s) where product is to be installed, as appropriate.
 - n) Related physical samples submitted directly.
 - o) Indication of full or partial submittal.
 - p) Transmittal number[, numbered consecutively].
 - q) Submittal and transmittal distribution record.
 - r) Other necessary identification.
 - s) Remarks.
- j. Metadata: Include the following information as keywords in the electronic submittal file metadata:
- 1) Project name.
 - 2) Number and title of appropriate Specification Section.
 - 3) Manufacturer name.
 - 4) Product name.

1.7 DRAWINGS AND MEASUREMENTS

- A. Construction Drawings: The contract document drawings show the general design, arrangements, and extent of the system. In certain cases, the drawings may include details that show more nearly exact locations and arrangements; however, the locations, as shown diagrammatically, are to be regarded as general.
- B. It shall be the work of this Section to make such slight alterations as may be necessary to make adjustable parts fit to fixed parts, leaving all complete and in proper shape when done. All dimensions given on the drawings shall be verified as related to this work and with the Architect's office before work is started.
- C. This Section shall carefully study building sections, space, clearances, etc., and then provide offsets in piping or ductwork as required to accommodate the building structure without additional cost to the Owner. In any case and at any time during the construction process, a change in location required by obstacles or the installation of other trades not shown on the mechanical plans shall be made without charge.
- D. The drawings shall not be scaled for roughing in measurements nor shall they be used as shop drawings. Where drawings are required for these purposes or where drawings must be made from field measurements, the Contractor shall take the necessary measurements and prepare the drawings. Shop drawings of the various subcontractors shall be coordinated to eliminate all interferences and to provide sufficient space for the installation of all equipment, piping, ductwork, etc.
- E. The drawings and specifications have been prepared to supplement each other and they shall be interpreted as an integral unit with items shown on one and not the other being furnished and installed as though shown and called out on both.
- F. Coordination Drawings: The contractor shall provide coordination drawings for mechanical rooms, fan rooms, equipment rooms, and congested areas to eliminate conflicts with equipment, piping, or work of other trades. The drawings shall be a minimum scale of 1/4 inch= 1 foot and of such detail as may be required by the Engineer to fully illustrate the work. These drawings shall include all piping, conduit, valves, equipment, and ductwork.

- G. Sheet-metal shop drawings will be required for all ductwork in the entire building. These drawings will show all ductwork in the entire building and shall be coordinated with architectural, structural and electrical portions of the project. The contractor shall specifically obtain copies of the structural shop drawings and shall coordinate the ductwork shop drawings with approved structural members. These drawings shall be submitted to the engineer for review prior to any fabrication. The contractor is responsible for all modifications necessary to accommodate duct installation within the structural, architectural and electrical restrictions. These drawings, once reviewed by the engineer, will be made available to all mechanical, electrical, and fire sprinkler subcontractors to coordinate installation of their work.

1.8 CONTRACTOR'S USE OF BUILDING EQUIPMENT

- A. The Contractor may use equipment such as electric motors, fans, heat exchangers, filters, etc., with the written permission of the Owner. As each piece of equipment is used (such as electric motors and fans), maintenance procedures approved by the manufacturer are to be followed. A careful record is to be kept of the length of the time the equipment is used, maintenance procedures followed, and any difficulty encountered. The record is to be submitted to the Owner upon acceptance. All fan belts and filter media (such as bearings) shall be carefully inspected just prior to acceptance. Any excessive wear noted shall require replacement. New filter media shall be installed in air handlers at the time systems are turned over to the owner.

1.9 EXISTING CONDITIONS

- A. The Contractor shall carefully examine all existing conditions that might affect the mechanical system and shall compare these conditions with all drawings and specifications for work included under this contract. He shall, at such time, ascertain and check all conditions that may affect his work. No allowance shall subsequently be made in his behalf for an extra expense incurred as a result of his failure or neglect to make such examination. This Contractor shall include in his bid proposal all necessary allowances to repair or replace any item that will remain or will be removed, and any item that will be damaged or destroyed by new construction.
- B. The Contractor shall remove all abandoned piping, etc., required by new construction and cap or plug openings. No capping, etc., shall be exposed in occupied areas. All openings of items removed shall be sealed to match adjacent surfaces.
- C. The Contractor shall verify the exact location of all existing services, utilities, piping, etc., and make connections to existing systems as required or as shown on the drawings. The exact location of each utility line, together with size and elevation, shall be established before any on-site lines are installed. Should elevation or size of existing main utility lines make connections to them impossible as shown on drawings, then notification of such shall immediately be given to the Owners Representative for a decision.

1.10 EQUIPMENT CAPACITIES

- A. Capacities shown for equipment in the specifications and on the drawings are the minimum acceptable. No equipment shall be considered as an alternate that has capacities or performance less than that of design equipment.
- B. All equipment shall give the specified capacity and performance at the job-site elevation. Manufacturers' standard ratings shall be adjusted accordingly. All capacities and performances listed on drawings or in specifications are for job-site conditions.

1.11 SEISMIC REQUIREMENTS FOR EQUIPMENT

- A. All equipment shall be furnished structurally adequate to withstand seismic forces as outlined in the International Building Code. Refer to section Mechanical Vibration Controls and Seismic Restraints. Equipment bases shall be designed for direct attachment of seismic snubbers and/or seismic anchors.

1.12 COOPERATION WITH OTHER TRADES

- A. The Contractor shall refer to other drawings and parts of this specification that cover work of other trades that is carried on in conjunction with the mechanical work such that all work can proceed without interference resulting from lack of coordination.
- B. The Contractor shall properly size and locate all openings, chases, sleeves, equipment bases, and accesses. He shall provide accurate wiring diagrams to the Electrical Contractor for all equipment furnished under this Division.
- C. The ceiling cavity must be carefully reviewed and coordinated with all trades. In the event of conflict, the installation of the mechanical equipment and piping shall be in the following order: plumbing, waste, and soil lines; supply, return, and exhaust ductwork; water piping; medical gases; fire protection piping; and pneumatic control piping.
- D. The mechanical Contractor shall insure that the installation of all piping, ducts and equipment is in compliance with Articles 110-16 and 384-4 of the National Electrical Code relative to proper clearances in front of and over all electrical panels and equipment. No piping or ductwork will be allowed to run over electrical panel.

1.13 RESPONSIBILITY OF CONTRACTOR

- A. The Contractor is responsible for the installation of a satisfactory piece of work in accordance with the true intent of the drawings and specifications. He shall provide, as a part of his work and without expense, all incidental items required even though these items are not particularly specified or indicated. The installation shall be made so that its several component parts will function together as a workable system and shall be left with all equipment properly adjusted and in working order. The Contractor shall familiarize the Owner's Representative with maintenance and lubrication instructions as prepared by the Contractor and shall explain and fully instruct him relative to operating, servicing, and maintenance of them.

- B. If a conflict arises between the drawings and the specifications the most stringent procedure/action shall be followed. A clarification to the engineer will help to determine the course of action to be taken. If a conflict arises between specification sections the engineer will determine which course of action is to be followed.

1.14 PIPE AND DUCT OPENINGS AND EQUIPMENT RECESSES

- A. Pipe and duct chases, openings, and equipment recesses shall be provided by others only if shown on architectural or structural drawings. All openings for the mechanical work, except where plans and specifications indicate otherwise, shall be provided as work of this Division. Include openings information with coordination drawings.
- B. Whether chases, recesses, and openings are provided as work of this Division or by others, this Contractor shall supervise their construction and be responsible for the correct size and location even though detailed and dimensioned on the drawings. This Contractor shall pay for all necessary cutting, repairing, and finishing if any are left out or incorrectly made. All necessary openings thru existing walls, ceilings, floors, roofs, etc. shall be provided by this Contractor unless indicated otherwise by the drawing and/or specifications.

1.15 UNFIT OR DAMAGED WORK

- A. Any part of this installation that fails, is unfit, or becomes damaged during construction, shall be replaced or otherwise made good. The cost of such remedy shall be the responsibility of this Division.

1.16 WORKMANSHIP

- A. Workmanship shall be the best quality of its kind for the respective industries, trades, crafts, and practices, and shall be acceptable in every respect to the Owner's representative. Nothing contained herein shall relieve the Contractor from making good and perfect work in all details in construction.

1.17 SAFETY REGULATION

- A. The Contractor shall comply with all local, Federal, and OSHA safety requirements in performance with this work. (See General Conditions). This Contractor shall be required to provide equipment, supervision, construction, procedures, and all other necessary items to assure safety to life and property.

1.18 ELECTRICAL SERVICES

- A. All equipment control wiring and all automatic temperature control wiring including all necessary contacts, relays, and interlocks, whether low or line voltage, except power wiring, shall be furnished and installed as work of this Division unless shown to be furnished by Division 26. All such wiring shall be in conduit as required by electrical codes. Wiring in the mechanical rooms, fans rooms and inaccessible ceilings and walls shall be installed in

conduit as well. Installation of any and all wiring done under Division 21, 22 and 23 shall be in accordance with the requirements of Division 26, Electrical.

- B. All equipment that requires an electrical connection shall be furnished so that it will operate properly and deliver full capacity on the electrical service available.
- C. Refer to the electrical control equipment and wiring shown on the diagrams. Any changes or additions required by specific equipment furnished shall be the complete responsibility of the Contractor furnishing the equipment.
- D. The Mechanical Contractor must coordinate with the Electrical Contractor to insure that all required components of control work are included and fully understood. No additional cost shall accrue to the Owner as a result of lack of such coordination.

1.19 WORK, MATERIALS, AND QUALITY OF EQUIPMENT

- A. Unless otherwise specified, all materials shall be new and of the best quality of their respective kinds and all labor shall be done in a most thorough and workmanlike manner.
- B. Products or equipment of any of the manufacturers cited herein or any of the products approved by the Addenda may be used. However, where lists of products are cited herein, the one first listed in the design equipment used in drawings and schedules to establish size, quality, function, and capacity standards. If other than design equipment is used, it shall be carefully checked for access to equipment, electrical and control requirements, valving, and piping. Should changes or additions occur in piping, valving, electrical work, etc., or if the work of other Contractors would be revised by the alternate equipment, the cost of all changes shall be borne as work of this Division.
- C. The Execution portions of the specifications specify what products and materials may be used. Any products listed in the Product section of the specification that are not listed in the Execution portion of the specification may not be used without written approval by the Engineer.
- D. The access to equipment shown on the drawings is the minimum acceptable space requirements. No equipment that reduces or restricts accessibility to this or any other equipment will be considered.
- E. All major items of equipment are specified in the equipment schedules on the drawings or in these specifications and shall be furnished complete with all accessories normally supplied with the catalog item listed and all other accessories necessary for a complete and satisfactory installation.
- F. All welders shall be certified in accordance with Section IX of the ASME Boiler and Pressure Vessel Code, latest Edition.

1.20 PROTECTION AGAINST WEATHER AND STORING OF MATERIALS

- A. All equipment and materials shall be properly stored and protected against moisture, dust, and wind. Coverings or other protection shall be used on all items that may be damaged or rusted or may have performance impaired by adverse weather or moisture conditions.

Damage or defect developing before acceptance of the work shall be made good at the Contractor's expense.

- B. All open duct and pipe openings shall be adequately covered at all times.

1.21 INSTALLATION CHECK

- A. An experienced, competent, and authorized representative of the manufacturer or supplier of each item of equipment indicated in the equipment schedule and the seismic supplier shall visit the site of the work and inspect, check, adjust if necessary, and approve the equipment installation. In each case, the equipment supplier's representative shall be present when the equipment is placed in operation. The equipment supplier's representative shall revisit the job site as often as necessary until all trouble is corrected and the equipment installation and operation is satisfactory to the Engineer.
- B. Each equipment supplier's representative shall furnish to the Owner, through the Engineer, a written report certifying that the equipment (1) has been properly installed and lubricated; (2) is in accurate alignment; (3) is free from any undue stress imposed by connecting piping or anchor bolts; and, (4) has been operated under full load conditions and that it operated satisfactorily.
- C. All costs for this work shall be included in the prices quoted by equipment suppliers.

1.22 EQUIPMENT LUBRICATION

- A. The Contractor shall properly lubricate all pieces of equipment before turning the building over to the Owner. A linen tag shall be attached to each piece of equipment, showing the date of lubrication and the lubricant used. No equipment shall be started until it is properly lubricated.
- B. Necessary time shall be spent with the Owner's Representative to thoroughly familiarize him with all necessary lubrications and maintenance that will be required of him.
- C. Detergent oil as used for automotive purposes shall not be used for this work.

1.23 CUTTING AND PATCHING

- A. No cutting or drilling in structural members shall be done without written approval of the Architect. The work shall be carefully laid out in advance, and cutting, channeling, chasing, or drilling of floors, walls, partitions, ceilings, or other surfaces necessary for the mechanical work shall be carefully done. Any damage to building, piping, or equipment shall be repaired by professional plasterers, masons, concrete workers, etc., and all such work shall be paid for as work of this Division.
- B. When concrete, grading, etc., is disturbed, it shall be restored to original condition as described in the applicable Division of this Specification.

1.24 EXCAVATION AND BACKFILLING

- A. All necessary excavations and backfilling for the Mechanical phase of this project shall be provided as work of this Division. Trenches for all underground pipelines shall be excavated to the required depths. The bottom of trenches shall be compacted hard and graded to obtain required fall. Backfill shall be placed in horizontal layers, not exceeding 12 inches in thickness, and properly moistened. Each layer shall be compacted, by suitable equipment, to a density of not less than 95 percent as determined by ASTM D-1557. After pipelines have been tested, inspected, and approved, the trench shall be backfilled with selected material. Excess earth shall be hauled from the job site. Fill materials approved by the Architect shall be provided as work of this Division.
- B. No trenches shall be cut near or under any footings without consultation first with the Architect's office. Any trenches or excavations more than 30 inches deep shall be tapered, shored, covered, or otherwise made absolutely safe so that no vehicle or persons can be injured by falling into such excavations, or in any way be harmed by cave-ins, shifting earth, rolling rocks, or by drowning. This protection shall be extended to all persons approaching excavation related to this work whether or not such persons are authorized to be in the vicinity of the construction.

1.25 ACCESS

- A. Provide access doors in walls, ceilings and floors by this division unless otherwise noted. For access to mechanical equipment such as valves, dampers, VAV boxes, fans, controls, etc. Refer to Division 8 for door specifications. All access doors shall be 24" x 24" unless otherwise indicated or required. Coordinate location of doors with the Architect prior to installation. . If doors are not specified in Division 8, provide the following: Doors in ceilings and wall shall be equal to JR Smith No. 4760 bonderized and painted. Doors in tile walls shall be equal to JR Smith No. 4730 chrome plated. Doors in floors shall be equal to JR Smith No. 4910
- B. Valves: Valve must be installed in locations where access is readily available. If access is compromised, as judged by the Mechanical Engineer, these valves shall be relocated where directed at the Contractors expense.
- C. Equipment: Equipment must be installed in locations and orientations so that access to all components requiring service or maintenance will not be compromised. If access is compromised, as judged by the Mechanical Engineer, the contractor shall modify the installation as directed by the Engineer at the Contractors expense.
- D. It is the responsibility of this division to install terminal boxes, valves and all other equipment and devices so they can be accessed. If any equipment or devices are installed so they cannot be accessed on a ladder a catwalk and ladder system shall be installed above the ceiling to access and service this equipment.

1.26 CONCRETE BASES AND INSERTS

- A. Bases: The concrete bases shall be provided and installed as work by this division. This Division shall be responsible for the proper size and location of bases and shall furnish all

required anchor bolts and sleeves with templates to be installed as work of Division 3, Concrete.

- B. All floor-mounted mechanical equipment shall be set on 6-inch high concrete bases, unless otherwise noted or shown on drawings. Such bases shall extend 6 inches beyond equipment or mounting rails on all sides or as shown on the drawings and shall have a 1-inch beveled edge all around.
- C. Inserts: Where slotted or other types of inserts required for this work are to be cast into concrete, they shall be furnished as work of this Division
- D. Concrete inserts and pipe support systems shall be equal to Unistrut P3200 series for all piping where more than one pipe is suspended at a common location. Spacing of the inserts shall match the size and type of pipe and of ductwork being supported. The Unistrut insert and pipe support system shall include all inserts, vertical supports, horizontal support members, clamps, hangers, rollers, bolts, nuts, and any other accessory items for a complete pipe-supporting system.

1.27 CLEANING AND PAINTING

- A. Cleaning: After all tests and adjustments have been made and all systems pronounced satisfactory for permanent operation, this Contractor shall clean all exposed piping, ductwork, insulated members, fixture, and equipment installed under this Section and leave them ready for painting. He shall refinish any damaged finish and leave everything in proper working order. The Contractor shall remove all stains or grease marks on walls, floors, glass, hardware, fixtures, or elsewhere, caused by his workman or for which he is responsible. He shall remove all stickers on plumbing fixtures, do all required patching up and repair all work of others damaged by this division of the work, and leave the premises in a clean and orderly condition.
- B. Painting: Painting of exposed pipe, insulated pipe, ducts, or equipment is work of Division 9, Painting.
- C. Mechanical Contractor: All equipment which is to be furnished in factory prefinished conditions by the mechanical Contractor shall be left without mark, scratch, or impairment to finish upon completion of job. Any necessary refinishing to match original shall be done. Do not paint over nameplates, serial numbers, or other identifying marks.
- D. Removal of Debris, Etc: Upon completion of this division of the work, remove all surplus material and rubbish resulting from this work, and leave the premises in a clean and orderly condition.

1.28 CONTRACT COMPLETION

- A. Incomplete and Unacceptable Work: If additional site visits or design work is required by the Engineer or Architect because of the use of incomplete or unacceptable work by the Contractor, then the Contractor shall reimburse the Engineer and Architect for all additional time and expenses involved.

- B. Maintenance Instructions: The Contractor shall furnish the Owner complete printed and illustrated operating and maintenance instructions covering all units of mechanical equipment, together with parts lists.
- C. Instructions To Owner's Representatives: In addition to any detailed instructions called for, the mechanical Contractor must provide, without expense to the Owner, competent instructors to train the Owner's representatives who will be in charge of the apparatus and equipment, in the care, adjustment, and operation of all parts on the heating, air conditioning, ventilating, plumbing, fire protection, and automatic temperature control equipment. Instruction dates shall be scheduled at time of final inspection. A written report specifying times, dates, and name of personnel instructed shall be forwarded to the Architect. A minimum of four 8-hour instruction periods shall be provided. The instruction periods will be broken down to shorter periods when requested by the Owner. The total instruction hours shall not be reduced. The ATC Contractor shall provide 4 hours of instructions. The remaining hours shall be divided between the mechanical and sheet metal Contractor.
- D. Guarantee: By the acceptance of any contract award for the work herein described or shown on the drawings, the Contractor assumes the full responsibility imposed by the guarantee as set forth herein and in the General Conditions, and should protect himself through proper guarantees from equipment and special equipment Contractors and from subcontractors as their interests may appear.
- E. The guarantee so assumed by the Contractor and as work of this Section is as follows:
1. That the entire mechanical system, including plumbing, heating, and air-conditioning system shall be quiet in operation.
 2. That the circulation of water shall be complete and even.
 3. That all pipes, conduit, and connections shall be perfectly free from foreign matter and pockets and that all other obstructions to the free passage of air, water, liquid, sewage, and vent shall be removed.
 4. That he shall make promptly and free of charge, upon notice from the Owner, any necessary repairs due to defective workmanship or materials that may occur during a period of one year from date of Substantial Completion.
 5. That all specialties, mechanical, and patent devices incorporated in these systems shall be adjusted in a manner that each shall develop its maximum efficiency in the operation of the system; i.e., diffusers shall deliver the designed amount of air shown on drawings, thermostats shall operate to the specified limits, etc.
 6. All equipment and the complete mechanical, ductwork, piping and plumbing systems shall be guaranteed for a period of one year from the date of the Architect's Certificate of Substantial Completion, this includes all mechanical, ductwork, piping and plumbing equipment and products and is not limited to boiler, chillers, coils, fans, filters etc. Any equipment supplier not willing to comply with this guarantee period shall not submit a bid price for this project. The Contractor shall be responsible for a 100-percent guarantee for the system and all items of equipment for this period. If the contractor needs to provide temporary heating or cooling to the building and or needs to insure systems are installed properly and or to meet the project schedule the guaranteed of all systems and equipment shall be as indicated above, on year from the date of the Architect's Certificate of Substantial Completion.

7. All filters used during construction shall be replaced just before equipment is turned over to the Owner, and all required equipment and parts shall be oiled. Any worn parts shall also be replaced.
8. If any systems or equipment is used for temporary heating or cooling the systems shall be protected so they remain clean. I.e. if the ductwork systems are used temporary filters and a filter holder (not duct-taped to ducts or grilles) shall be installed to insure the systems and the equipment remain clean.

1.29 CURBS

- A. Unless otherwise noted in these specifications or on the documents all roof curbs for all equipment are to be provided by Division 22 and 23.

1.30 TEST RUN

- A. The Mechanical Contractor shall operate the mechanical system for a minimum of 30 days to prove the operation of the system.

1.31 EQUIPMENT STARTUP AND CHECKOUT:

- A. Each major piece of equipment shall be started and checked out by an authorized representative of the equipment manufacturer. A certificate indicating the equipment is operating to the satisfaction of the manufacturer shall be provided and shall be included in the commissioning report.
- B. This contractor shall coordinate commissioning procedures and activities with the commissioning agent.

1.32 DEMOLITION

- A. General: Demolish and remove existing construction only to the extent required by new construction and as indicated. Use methods required to complete the Work within limitations of governing regulations and as follows:
- B. Proceed with demolition systematically, from higher to lower level. Complete selective demolition operations above each floor or tier before disturbing supporting members on the next lower level.
- C. Neatly cut openings and holes plumb, square, and true to dimensions required. Use cutting methods least likely to damage construction to remain or adjoining construction. Use hand tools or small power tools designed for sawing or grinding, not hammering and chopping, to minimize disturbance of adjacent surfaces. Temporarily cover openings to remain.
- D. Cut or drill from the exposed or finished side into concealed surfaces to avoid marring existing finished surfaces.

- E. Do not use cutting torches until work area is cleared of flammable materials. At concealed spaces, such as duct and pipe interiors, verify condition and contents of hidden space before starting flame-cutting operations. Maintain portable fire-suppression devices during flame-cutting operations.
- F. Maintain adequate ventilation when using cutting torches.
- G. Remove decayed, vermin-infested, or otherwise dangerous or unsuitable materials and promptly dispose of off-site.
- H. Remove structural framing members and lower to ground by method suitable to avoid free fall and to prevent ground impact or dust generation.
- I. Locate selective demolition equipment and remove debris and materials so as not to impose excessive loads on supporting walls, floors, or framing.
- J. Dispose of demolished items and materials promptly.
- K. Return elements of construction and surfaces that are to remain to condition existing before selective demolition operations began.
- L. Existing Facilities: Comply with building manager's requirements for using and protecting elevators, stairs, walkways, loading docks, building entries, and other building facilities during selective demolition operations.
- M. Concrete: Demolish in sections. Cut concrete full depth at junctures with construction to remain and at regular intervals, using power-driven saw, then remove concrete between saw cuts.
- N. Masonry: Demolish in small sections. Cut masonry at junctures with construction to remain, using power-driven saw, and then remove masonry between saw cuts.
- O. Concrete Slabs-on-Grade: Saw-cut perimeter of area to be demolished, then break up and remove.
- P. Air-Conditioning Equipment: Remove equipment without releasing refrigerants.

END OF SECTION

SECTION 23 01 50 – TEMPORARY USE OF EQUIPMENT AND SYSTEMS

PART 1 - GENERAL

1.1 SUMMARY

- A. This section includes requirements for temporary use of equipment and systems and any other items that are used during the construction of the project.

1.2 EQUIPMENT OR SYSTEMS NEEDED TO OPERATE BEFORE CONTRACT COMPLETION

- A. If the contractor needs to provide temporary heating or cooling to the building and or needs to insure systems are installed properly for start up and or to meet the project schedule the guarantee of all systems and equipment shall be for one year from the date of the Architect's Certificate of Substantial Completion.

All equipment and the complete mechanical, ductwork, piping and plumbing systems shall be guaranteed for a period of one year from the date of the Architect's Certificate of Substantial Completion, this includes all mechanical, ductwork, piping and plumbing equipment and products and is not limited to boiler, chillers, coils, fans, filters etc. Any contractor or equipment supplier who is not willing to comply with this guarantee period shall not submit a bid price for this project. The Contractor shall be responsible for a 100-percent guarantee for the systems and all items of equipment for this period.

All filters used during construction shall be replaced just before equipment is turned over to the Owner, and all required equipment and parts shall be oiled. Any worn parts shall also be replaced.

If any systems or equipment is used for temporary heating or cooling the systems shall be protected so they remain clean. I.e. if the ductwork systems are used temporary filters and a filter holder (not duct-taped to ducts or grilles) shall be installed to insure the systems and the equipment remain clean. All return air openings shall be protected with a metal filter frame and filters.

1.3 TEMPORARY EQUIPMENT OR SYSTEM SUBMITTALS

- A. If it is determined by the project or contractor that equipment or systems are needed to operate to provide heating, cooling or other needed services this division shall submit a document indicating what measures will be taken to insure the safe and proper operation of the equipment, systems and personal associated with the operation, this document shall be submitted to the engineer for approval. This plan shall show connections of equipment, utility hookups (if required) staging areas etc.

1.4 QUALITY ASSURANCE

- A. Electric Service: Comply with NECA, NEMA, and UL standards and regulations for temporary electric service. Install service to comply with NFPA 70.
- B. Tests and Inspections: Arrange for authorities having jurisdiction to test and inspect each temporary utility before use. Obtain required certifications and permits.
- C. Accessible Temporary Egress: Comply with applicable provisions in the U.S. Architectural & Transportation Barriers Compliance Board's ADA-ABA Accessibility Guidelines.
- D. SMACNA: The latest standard from SSMACNA shall apply.

1.5 PROJECT CONDITIONS

- A. Temporary Use of equipment or systems: Engage installer of each permanent service to assume responsibility for operation, maintenance, and protection of each permanent service during its use until the facility has been accepted by the owner regardless of previously assigned responsibilities.

PART 2 - PRODUCTS

2.1 EQUIPMENT

- A. Fire Extinguishers: Portable, UL rated; with class and extinguishing agent as required by locations and classes of fire exposures.
- B. HVAC Equipment: Unless Owner authorizes use of permanent HVAC system, provide vented, self-contained, liquid-propane-gas or fuel-oil heaters and cooling units if required with individual space thermostatic control.
 - 1. Use of gasoline-burning space heaters, open-flame heaters, or salamander-type heating units is prohibited.
 - 2. Heating Units: Listed and labeled for type of fuel being consumed, by a testing agency acceptable to authorities having jurisdiction, and marked for intended use.
 - 3. Permanent HVAC System: If Owner authorizes use of permanent HVAC system for temporary use during construction, provide filters with MERV of **8** at each return air opening in system and remove at end of construction. These filters are to be installed in a filter housing frame and are not to be duct taped. Clean HVAC system as required in Division 01 Section "Closeout Procedures."

PART 3 - EXECUTION

3.1 INSTALLATION, GENERAL

A. Locate equipment where they will serve Project adequately and result in minimum interference with performance of the Work. Relocate and modify equipment and systems as required by progress of the Work.

1. Locate equipment to limit site disturbance as specified in Division 01 Section "Summary."

3.2 TEMPORARY UTILITY INSTALLATION

A. General: Install temporary service or connect to existing service.

1. Arrange with utility company, Owner, and existing users for time when service can be interrupted, if necessary, to make connections for temporary services.

B. Water Service: Install water service and distribution piping in sizes and pressures adequate for construction.

C. Heating and Cooling: Provide temporary heating and cooling required by construction activities for curing or drying of completed installations or for protecting installed construction from adverse effects of low temperatures or high humidity. Select equipment that will not have a harmful effect on completed installations or elements being installed.

D. Ventilation and Humidity Control: Provide temporary ventilation required by construction activities for curing or drying of completed installations or for protecting installed construction from adverse effects of high humidity. Select equipment that will not have a harmful effect on completed installations or elements being installed. Coordinate ventilation requirements to produce ambient condition required and minimize energy consumption.

3.3 OPERATION, TERMINATION, AND REMOVAL

A. Maintenance: Maintain equipment and systems in good operating condition until removal.

1. Maintain operation of temporary enclosures, heating, cooling, humidity control, ventilation, and similar equipment and systems on a 24-hour basis where required to achieve indicated results and to avoid possibility of damage.

B. Termination and Removal: Remove each temporary facility or equipment when need for its service has ended, when it has been replaced by authorized use of a permanent facility, or no later than Substantial Completion. Complete or, if necessary, restore permanent construction that may have been delayed because of interference with temporary facility. Repair damaged Work, clean exposed surfaces, and replace construction that cannot be satisfactorily repaired.

1. Materials equipment that constitute temporary equipment are property of Contractor.
2. At Substantial Completion, repair, renovate, and clean permanent equipment and systems used during construction period. Comply with final cleaning requirements specified in Division 01 Section "Closeout Procedures."

3.4 EQUIPMENT STARTUP AND CHECKOUT:

- A. Each major piece of equipment shall be started and checked out by an authorized representative of the equipment manufacturer at substantial completion. A certificate indicating the equipment is operating to the satisfaction of the manufacturer shall be provided and shall be included in the commissioning report.

END OF SECTION

SECTION 23 05 00 - COMMON WORK RESULTS FOR HVAC

PART 1 - GENERAL

1.1 RELATED DOCUMENTS

- A. Drawings and general provisions of the Contract, including General and Supplementary Conditions and Division 01 Specification Sections, apply to this Section.

1.2 SUMMARY

- A. This Section includes the following:
 - 1. Piping materials and installation instructions common to most piping systems.
 - 2. Transition fittings.
 - 3. Dielectric fittings.
 - 4. Mechanical sleeve seals.
 - 5. Sleeves.
 - 6. Escutcheons.
 - 7. Grout.
 - 8. Equipment installation requirements common to equipment sections.
 - 9. Painting and finishing.
 - 10. Concrete bases.
 - 11. Supports and anchorages.
 - 12. Link-Seal

1.3 DEFINITIONS

- A. Finished Spaces: Spaces other than mechanical and electrical equipment rooms, furred spaces, pipe and duct chases, unheated spaces immediately below roof, spaces above ceilings, unexcavated spaces, and crawlspaces.
- B. Exposed, Interior Installations: Exposed to view indoors. Examples include finished occupied spaces, mechanical equipment rooms, accessible pipe shafts, accessible plumbing chases, and accessible tunnels.
- C. Exposed, Exterior Installations: Exposed to view outdoors or subject to outdoor ambient temperatures and weather conditions. Examples include rooftop locations.
- D. Concealed, Interior Installations: Concealed from view and protected from physical contact by building occupants. Examples include above ceilings and chases.
- E. Concealed, Exterior Installations: Concealed from view and protected from weather conditions and physical contact by building occupants but subject to outdoor ambient temperatures. Examples include installations within unheated shelters.
- F. The following are industry abbreviations for plastic materials:

1. CPVC: Chlorinated polyvinyl chloride plastic.
2. PVC: Polyvinyl chloride plastic.

G. The following are industry abbreviations for rubber materials:

1. EPDM: Ethylene-propylene-diene terpolymer rubber.
2. NBR: Acrylonitrile-butadiene rubber.

1.4 SUBMITTALS

A. Product Data: For the following:

1. Transition fittings.
2. Dielectric fittings.
3. Mechanical sleeve seals.
4. Escutcheons.

B. Welding certificates.

1.5 QUALITY ASSURANCE

A. Steel Support Welding: Qualify processes and operators according to AWS D1.1, "Structural Welding Code--Steel."

B. Steel Pipe Welding: Qualify processes and operators according to ASME Boiler and Pressure Vessel Code: Section IX, "Welding and Brazing Qualifications."

1. Comply with provisions in ASME B31 Series, "Code for Pressure Piping."
2. Certify that each welder has passed AWS qualification tests for welding processes involved and that certification is current.

C. Electrical Characteristics for HVAC Equipment: Equipment of higher electrical characteristics may be furnished provided such proposed equipment is approved in writing and connecting electrical services, circuit breakers, and conduit sizes are appropriately modified. If minimum energy ratings or efficiencies are specified, equipment shall comply with requirements.

1.6 DELIVERY, STORAGE, AND HANDLING

A. Deliver pipes and tubes with factory-applied end caps. Maintain end caps through shipping, storage, and handling to prevent pipe end damage and to prevent entrance of dirt, debris, and moisture.

B. Store plastic pipes protected from direct sunlight. Support to prevent sagging and bending.

1.7 COORDINATION

- A. Arrange for pipe spaces, chases, slots, and openings in building structure during progress of construction, to allow for HVAC installations.
- B. Coordinate installation of required supporting devices and set sleeves in poured-in-place concrete and other structural components as they are constructed.
- C. Coordinate requirements for access panels and doors for HVAC items requiring access that are concealed behind finished surfaces. Access panels and doors are specified in Division 08 Section "Access Doors and Frames."

PART 2 - PRODUCTS

2.1 MANUFACTURERS

- A. In other Part 2 articles where subparagraph titles below introduce lists, the following requirements apply for product selection:
 - 1. Manufacturers: Subject to compliance with requirements, provide products by the manufacturers specified.

2.2 PIPE, TUBE, AND FITTINGS

- A. Refer to individual Division 23 piping Sections for pipe, tube, and fitting materials and joining methods.
- B. Pipe Threads: ASME B1.20.1 for factory-threaded pipe and pipe fittings.

2.3 JOINING MATERIALS

- A. Refer to individual Division 23 piping Sections for special joining materials not listed below.
- B. Pipe-Flange Gasket Materials: Suitable for chemical and thermal conditions of piping system contents.
 - 1. ASME B16.21, nonmetallic, flat, asbestos-free, **1/8-inch** maximum thickness unless thickness or specific material is indicated.
 - a. Full-Face Type: For flat-face, Class 125, cast-iron and cast-bronze flanges.
 - b. Narrow-Face Type: For raised-face, Class 250, cast-iron and steel flanges.
 - 2. AWWA C110, rubber, flat face, **1/8 inch** thick, unless otherwise indicated; and full-face or ring type, unless otherwise indicated.
- C. Flange Bolts and Nuts: ASME B18.2.1, carbon steel, unless otherwise indicated.

- D. Solder Filler Metals: ASTM B 32, lead-free alloys. Include water-flushable flux according to ASTM B 813.
- E. Brazing Filler Metals: AWS A5.8, BCuP Series, copper-phosphorus alloys for general-duty brazing, unless otherwise indicated; and AWS A5.8, BAg1, silver alloy for refrigerant piping, unless otherwise indicated.
- F. Welding Filler Metals: Comply with AWS D10.12 for welding materials appropriate for wall thickness and chemical analysis of steel pipe being welded.

2.4 TRANSITION FITTINGS

- A. Plastic-to-Metal Transition Fittings: CPVC and PVC one-piece fitting with manufacturer's Schedule 80 equivalent dimensions; one end with threaded brass insert, and one solvent-cement-joint end.
 - 1. Manufacturers:
 - a. Eslon Thermoplastics.
- B. Plastic-to-Metal Transition Adaptors: One-piece fitting with manufacturer's SDR 11 equivalent dimensions; one end with threaded brass insert, and one solvent-cement-joint end.
 - 1. Manufacturers:
 - a. Thompson Plastics, Inc.

2.5 DIELECTRIC FITTINGS

- A. General: Assembly or fitting with insulating material isolating joined dissimilar metals, to prevent galvanic action and stop corrosion.
- B. Description: Combination of copper alloy and ferrous; threaded, solder, plain, and weld-neck end types and matching piping system materials.
- C. Insulating Material: Suitable for system fluid, pressure, and temperature.
- D. Dielectric Unions: Factory-fabricated, union assembly, for **250-psig** minimum working pressure at **180 deg F**.
- E. Dielectric Flanges: Factory-fabricated, companion-flange assembly, for **150-** or **300-psig** minimum working pressure as required to suit system pressures.
- F. Dielectric-Flange Insulation Kits: Field-assembled, companion-flange assembly, full-face or ring type. Components include neoprene or phenolic gasket, phenolic or polyethylene bolt sleeves, phenolic washers, and steel backing washers.
 - 1. Provide separate companion flanges and steel bolts and nuts for **150-** or **300-psig** minimum working pressure as required to suit system pressures.

- G. Dielectric Couplings: Galvanized-steel coupling with inert and noncorrosive, thermoplastic lining; threaded ends; and **300-psig** minimum working pressure at **225 deg F**.
- H. Dielectric Nipples: Electroplated steel nipple with inert and noncorrosive, thermoplastic lining; plain, threaded, or grooved ends; and **300-psig** minimum working pressure at **225 deg F**.
 - 1. Manufacturers:
 - a. Capitol Manufacturing Co.
 - b. Central Plastics Company.
 - c. Watts Industries, Inc.; Water Products Div

2.6 MECHANICAL SLEEVE SEALS

- A. Description: Modular sealing element unit, designed for field assembly, to fill annular space between pipe and sleeve.
 - 1. Manufacturers:
 - a. Advance Products & Systems, Inc.
 - b. Calpico, Inc.
 - c. Metraflex Co.
 - d. Pipeline Seal and Insulator, Inc.
 - 2. Sealing Elements: EPDM interlocking links shaped to fit surface of pipe. Include type and number required for pipe material and size of pipe.
 - 3. Pressure Plates: Stainless steel. Include two for each sealing element.
 - 4. Connecting Bolts and Nuts: Stainless steel of length required to secure pressure plates to sealing elements. Include one for each sealing element.

2.7 SLEEVES

- A. Galvanized-Steel Sheet: **0.0239-inch** minimum thickness; round tube closed with welded longitudinal joint.
- B. Steel Pipe: ASTM A 53, Type E, Grade B, Schedule 40, galvanized, plain ends.
- C. Cast Iron: Cast or fabricated "wall pipe" equivalent to ductile-iron pressure pipe, with plain ends and integral waterstop, unless otherwise indicated.
- D. Stack Sleeve Fittings: Manufactured, cast-iron sleeve with integral clamping flange. Include clamping ring and bolts and nuts for membrane flashing.
 - 1. Underdeck Clamp: Clamping ring with set screws.
- E. Molded PVC: Permanent, with nailing flange for attaching to wooden forms.

- F. PVC Pipe: ASTM D 1785, Schedule 40.

2.8 ESCUTCHEONS

- A. Description: Manufactured wall and ceiling escutcheons and floor plates, with an ID to closely fit around pipe, tube, and insulation of insulated piping and an OD that completely covers opening.
- B. One-Piece, Deep-Pattern Type: Deep-drawn, box-shaped brass with polished chrome-plated finish.
- C. One-Piece, Cast-Brass Type: With set screw.
 - 1. Finish: Polished chrome-plated and rough brass.
- D. One-Piece, Stamped-Steel Type: With set screw or spring clips and chrome-plated finish.
- E. Split-Plate, Stamped-Steel Type: With concealed hinge, set screw or spring clips, and chrome-plated finish.

2.9 GROUT

- A. Description: ASTM C 1107, Grade B, non-shrink and nonmetallic, dry hydraulic-cement grout.
 - 1. Characteristics: Post-hardening, volume-adjusting, non-staining, noncorrosive, nongaseous, and recommended for interior and exterior applications.
 - 2. Design Mix: **5000-psi**, 28-day compressive strength.
 - 3. Packaging: Premixed and factory packaged.

2.10 LINK-SEAL MODULAR SEAL PRESSURE PLATES

- A. Link-Seal® modular seal pressure plates shall be molded of glass reinforced Nylon Polymer with the following properties:
 - 1. Izod Impact - Notched = **2.05ft-lb/in.** per ASTM D-256
 - 2. Flexural Strength @ Yield = **30,750 psi** per ASTM D-790
 - 3. Flexural Modulus = **1,124,000 psi** per ASTM D-790
 - 4. Elongation Break = 11.07% per ASTM D-638
 - 5. Specific Gravity = 1.38 per ASTM D-792
- B. Models LS200-275-300-315 shall incorporate the most current Link-Seal® Modular Seal design modifications and shall include an integrally molded compression assist boss on the top (bolt entry side) of the pressure plate, which permits increased compressive loading of the rubber sealing element. Models 315-325-340-360-400-410-425-475-500-525-575-600 shall incorporate an integral recess known as a "Hex Nut Interlock" designed to accommodate commercially available fasteners to insure proper thread

engagement for the class and service of metal hardware. All pressure plates shall have a permanent identification of the manufacturer's name molded into it.

- C. For fire service, pressure plates shall be steel with 2-part Zinc Dichromate Coating.
- D. Link-Seal® Modular Seal Hardware: All fasteners shall be sized according to latest Link-Seal® modular seal technical data. Bolts, flange hex nuts shall be:
 - 1. 316 Stainless Steel per ASTM F593-95, with a **85,000 psi** average tensile strength.

PART 3 - EXECUTION

3.1 PIPING SYSTEMS - COMMON REQUIREMENTS

- A. Install piping according to the following requirements and Division 23 Sections specifying piping systems.
- B. Drawing plans, schematics, and diagrams indicate general location and arrangement of piping systems. Indicated locations and arrangements were used to size pipe and calculate friction loss, expansion, pump sizing, and other design considerations. Install piping as indicated unless deviations to layout are approved on Coordination Drawings.
- C. Install piping in concealed locations, unless otherwise indicated and except in equipment rooms and service areas.
- D. Install piping indicated to be exposed and piping in equipment rooms and service areas at right angles or parallel to building walls. Diagonal runs are prohibited unless specifically indicated otherwise.
- E. Install piping above accessible ceilings to allow sufficient space for ceiling panel removal.
- F. Install piping to permit valve servicing.
- G. Install piping at indicated slopes.
- H. Install piping free of sags and bends.
- I. Install fittings for changes in direction and branch connections.
- J. Install piping to allow application of insulation.
- K. Select system components with pressure rating equal to or greater than system operating pressure.
- L. Install escutcheons for penetrations of walls, ceilings, and floors according to the following:
 - 1. New Piping:

- a. Piping with Fitting or Sleeve Protruding from Wall: One-piece, deep-pattern type.
 - b. Chrome-Plated Piping: One-piece, cast-brass type with polished chrome-plated finish.
 - c. Insulated Piping: One-piece, stamped-steel type with spring clips.
 - d. Bare Piping at Wall and Floor Penetrations in Finished Spaces: One-piece, cast-brass type with polished chrome-plated finish.
 - e. Bare Piping at Wall and Floor Penetrations in Finished Spaces: One-piece, stamped-steel type.
 - f. Bare Piping at Ceiling Penetrations in Finished Spaces: One-piece or split-casting, cast-brass type with polished chrome-plated finish.
 - g. Bare Piping at Ceiling Penetrations in Finished Spaces: One-piece, stamped-steel type or split-plate, stamped-steel type with concealed hinge and set screw.
- M. Install sleeves for pipes passing through concrete and masonry walls and concrete floor and roof slabs.
- N. Install sleeves for pipes passing through concrete and masonry walls, gypsum-board partitions, and concrete floor and roof slabs.
- 1. Cut sleeves to length for mounting flush with both surfaces.
 - a. Exception: Extend sleeves installed in floors of mechanical equipment areas or other wet areas **2 inches** above finished floor level. Extend cast-iron sleeve fittings below floor slab as required to secure clamping ring if ring is specified.
 - 2. Install sleeves in new walls and slabs as new walls and slabs are constructed.
 - 3. Install sleeves that are large enough to provide **1/4-inch** annular clear space between sleeve and pipe or pipe insulation. Use the following sleeve materials:
 - a. PVC Steel Pipe Sleeves: For pipes smaller than **NPS 6**.
 - b. Steel Sheet Sleeves: For pipes **NPS 6** and larger, penetrating gypsum-board partitions.
 - c. Stack Sleeve Fittings: For pipes penetrating floors with membrane waterproofing. Secure flashing between clamping flanges. Install section of cast-iron soil pipe to extend sleeve to **2 inches** above finished floor level. Refer to Division 07 Section "Sheet Metal Flashing and Trim" for flashing.
 - 1) Seal space outside of sleeve fittings with grout.
 - 4. Except for underground wall penetrations, seal annular space between sleeve and pipe or pipe insulation, using joint sealants appropriate for size, depth, and location of joint. Refer to Division 07 Section "Joint Sealants" for materials and installation.
- O. Aboveground, Exterior-Wall Pipe Penetrations: Seal penetrations using sleeves and mechanical sleeve seals. Select sleeve size to allow for 1-inch annular clear space between pipe and sleeve for installing mechanical sleeve seals.

1. Install steel pipe for sleeves smaller than **6 inches** in diameter.
 2. Install cast-iron "wall pipes" for sleeves **6 inches** and larger in diameter.
 3. Mechanical Sleeve Seal Installation: Select type and number of sealing elements required for pipe material and size. Position pipe in center of sleeve. Assemble mechanical sleeve seals and install in annular space between pipe and sleeve. Tighten bolts against pressure plates that cause sealing elements to expand and make watertight seal.
- P. Underground, Exterior-Wall Pipe Penetrations: Install cast-iron "wall pipes" for sleeves. Seal pipe penetrations using mechanical sleeve seals. Select sleeve size to allow for **1-inch** annular clear space between pipe and sleeve for installing mechanical sleeve seals.
1. Mechanical Sleeve Seal Installation: Select type and number of sealing elements required for pipe material and size. Position pipe in center of sleeve. Assemble mechanical sleeve seals and install in annular space between pipe and sleeve. Tighten bolts against pressure plates that cause sealing elements to expand and make watertight seal.
- Q. Fire-Barrier Penetrations: Maintain indicated fire rating of walls, partitions, ceilings, and floors at pipe penetrations. Seal pipe penetrations with firestop materials. Refer to Division 07 Section "Penetration Firestopping" for materials.
- R. Verify final equipment locations for roughing-in.
- S. Refer to equipment specifications in other Sections of these Specifications for roughing-in requirements.

3.2 PIPING JOINT CONSTRUCTION

- A. Join pipe and fittings according to the following requirements and Division 23 Sections specifying piping systems.
- B. Ream ends of pipes and tubes and remove burrs. Bevel plain ends of steel pipe.
- C. Remove scale, slag, dirt, and debris from inside and outside of pipe and fittings before assembly.
- D. Soldered Joints: Apply ASTM B 813, water-flushable flux, unless otherwise indicated, to tube end. Construct joints according to ASTM B 828 or CDA's "Copper Tube Handbook," using lead-free solder alloy complying with ASTM B 32.
- E. Brazed Joints: Construct joints according to AWS's "Brazing Handbook," "Pipe and Tube" Chapter, using copper-phosphorus brazing filler metal complying with AWS A5.8.
- F. Threaded Joints: Thread pipe with tapered pipe threads according to ASME B1.20.1. Cut threads full and clean using sharp dies. Ream threaded pipe ends to remove burrs and restore full ID. Join pipe fittings and valves as follows:

1. Apply appropriate tape or thread compound to external pipe threads unless dry seal threading is specified.
 2. Damaged Threads: Do not use pipe or pipe fittings with threads that are corroded or damaged. Do not use pipe sections that have cracked or open welds.
- G. Welded Joints: Construct joints according to AWS D10.12, using qualified processes and welding operators according to Part 1 "Quality Assurance" Article.
- H. Flanged Joints: Select appropriate gasket material, size, type, and thickness for service application. Install gasket concentrically positioned. Use suitable lubricants on bolt threads.

3.3 PIPING CONNECTIONS

- A. Make connections according to the following, unless otherwise indicated:
1. Install unions, in piping **NPS 2** and smaller, adjacent to each valve and at final connection to each piece of equipment.
 2. Install flanges, in piping **NPS 2-1/2** and larger, adjacent to flanged valves and at final connection to each piece of equipment.
 3. Dry Piping Systems: Install dielectric unions and flanges to connect piping materials of dissimilar metals.
 4. Wet Piping Systems: Install dielectric coupling and nipple fittings to connect piping materials of dissimilar metals.

3.4 EQUIPMENT INSTALLATION - COMMON REQUIREMENTS

- A. Install equipment to allow maximum possible headroom unless specific mounting heights are not indicated.
- B. Install equipment level and plumb, parallel and perpendicular to other building systems and components in exposed interior spaces, unless otherwise indicated.
- C. Install HVAC equipment to facilitate service, maintenance, and repair or replacement of components. Connect equipment for ease of disconnecting, with minimum interference to other installations. Extend grease fittings to accessible locations.
- D. Install equipment to allow right of way for piping installed at required slope.

3.5 PAINTING

- A. Painting of HVAC systems, equipment, and components is specified in Division 09 Sections "Interior Painting" and "Exterior Painting."
- B. Damage and Touchup: Repair marred and damaged factory-painted finishes with materials and procedures to match original factory finish.

3.6 CONCRETE BASES

- A. Concrete Bases: Anchor equipment to concrete base according to equipment manufacturer's written instructions and according to seismic codes at Project.
 - 1. Construct concrete bases of dimensions indicated, but not less than 4 inches larger in both directions than supported unit.
 - 2. Install dowel rods to connect concrete base to concrete floor. Unless otherwise indicated, install dowel rods on **18-inch** centers around the full perimeter of the base.
 - 3. Install epoxy-coated anchor bolts for supported equipment that extend through concrete base, and anchor into structural concrete floor.
 - 4. Place and secure anchorage devices. Use supported equipment manufacturer's setting drawings, templates, diagrams, instructions, and directions furnished with items to be embedded.
 - 5. Install anchor bolts to elevations required for proper attachment to supported equipment.
 - 6. Install anchor bolts according to anchor-bolt manufacturer's written instructions.
 - 7. Use **3000-psi**, 28-day compressive-strength concrete and reinforcement as specified in Division 03 Section "Miscellaneous Cast-in-Place Concrete."

3.7 ERECTION OF METAL SUPPORTS AND ANCHORAGES

- A. Refer to Division 5 Section "Metal Fabrications" for structural steel.
- B. Cut, fit, and place miscellaneous metal supports accurately in location, alignment, and elevation to support and anchor HVAC materials and equipment.
- C. Field Welding: Comply with AWS D1.1.

3.8 GROUTING

- A. Mix and install grout for HVAC equipment base bearing surfaces, pump and other equipment base plates, and anchors.
- B. Clean surfaces that will come into contact with grout.
- C. Provide forms as required for placement of grout.
- D. Avoid air entrapment during placement of grout.
- E. Place grout, completely filling equipment bases.
- F. Place grout on concrete bases and provide smooth bearing surface for equipment.
- G. Place grout around anchors.

H. Cure placed grout.

3.9 LINK SEAL

A. Provide Link Seal at all piping penetrations from the outside.

END OF SECTION

SECTION 23 05 13 - COMMON MOTOR REQUIREMENTS FOR HVAC EQUIPMENT

PART 1 - GENERAL

1.1 RELATED DOCUMENTS

- A. Drawings and general provisions of the Contract, including General and Supplementary Conditions and Division 01 Specification Sections, apply to this Section.

1.2 SUMMARY

- A. Section includes general requirements for single-phase and polyphase, general-purpose, horizontal, small and medium, squirrel-cage induction motors for use on ac power systems up to 600 V and installed at equipment manufacturer's factory or shipped separately by equipment manufacturer for field installation.

1.3 COORDINATION

- A. Coordinate features of motors, installed units, and accessory devices to be compatible with the following:
 - 1. Motor controllers.
 - 2. Torque, speed, and horsepower requirements of the load.
 - 3. Ratings and characteristics of supply circuit and required control sequence.
 - 4. Ambient and environmental conditions of installation location.

PART 2 - PRODUCTS

2.1 GENERAL MOTOR REQUIREMENTS

- A. Comply with requirements in this Section except when the requirements in equipment schedules, other specification sections, drawing notes or in other contract documents are more stringent.
- B. Comply with NEMA MG 1 unless otherwise indicated.

2.2 MOTOR CHARACTERISTICS

- A. Duty: Continuous duty at ambient temperature of 40 deg C and at altitude of **3300 feet** above sea level.
- B. Capacity and Torque Characteristics: Sufficient to start, accelerate, and operate connected loads at designated speeds, at installed altitude and environment, with

indicated operating sequence, and without exceeding nameplate ratings or considering service factor.

- C. Motors **3/4 HP** and larger: Polyphase.
- D. Motors smaller than **3/4 HP**: Single phase.
- E. All motors shall have ASTM Grade 5 hardware that is Yellow Zinc-dichromate plated.

2.3 POLYPHASE MOTORS

- A. Description: NEMA MG 1, Design B, medium induction motor.
- B. Efficiency: Energy efficient, as defined in NEMA MG 1.
- C. Service Factor: 1.15.
- D. Rotor: Random-wound, squirrel cage.
- E. Bearings: Regreasable, shielded, antifriction ball bearings suitable for radial and thrust loading.
- F. Temperature Rise: Match insulation rating.
- G. Insulation: **Class F**.
- H. Code Letter Designation:
 - 1. Motors **15 HP** and Larger: NEMA starting Code F or Code G.
 - 2. Motors smaller than **15 HP**: Manufacturer's standard starting characteristic.
- I. Enclosure Material: Cast iron for motor frame sizes 324T and larger; rolled steel for motor frame sizes smaller than 324T.

2.4 POLYPHASE MOTORS WITH ADDITIONAL REQUIREMENTS

- A. Motors Used with Reduced-Voltage and Multispeed Controllers: Match wiring connection requirements for controller with required motor leads. Provide terminals in motor terminal box, suited to control method.
- B. Motors Used with Variable Frequency Controllers: Ratings, characteristics, and features coordinated with and approved by controller manufacturer.
 - 1. Windings: Copper magnet wire with moisture-resistant insulation varnish, designed and tested to resist transient spikes, high frequencies, and short time rise pulses produced by pulse-width modulated inverters.
 - 2. Energy- and Premium-Efficient Motors: Class B temperature rise; Class F insulation.
 - 3. Inverter-Duty Motors: Class F temperature rise; Class H insulation.
 - 4. Thermal Protection: Comply with NEMA MG 1 requirements for thermally protected motors.

5. Shaft Grounding Ring: Microfiber type.
 - a. Provide grounded discharge path for VFD induced voltage in the shaft to prevent arcing in the motor bearings.

C. Severe-Duty Motors: Comply with IEEE 841, with 1.15 minimum service factor.

2.5 Electronically Commutated Motor (ECM)

1. Motor enclosures: Open type
2. Motor to be a DC electronic commutation type motor (ECM).
 - a. AC induction type motors are not acceptable.
3. Permanently lubricated motor with heavy duty ball bearing
4. Internal motor circuitry to convert AC power supplied to the fan to DC power to operate the motor.
5. Speed controllable to 20% of full speed (80% turndown).
 - a. Potentiometer dial mounted at the motor speed controller
 - b. 0-10 VDC signal.
6. 85% efficient at all speeds minimum.
7. Motors smaller than 2.0 hp.

2.6 SINGLE-PHASE MOTORS

- A. Motors larger than 1/20 hp shall be one of the following, to suit starting torque and requirements of specific motor application:
 1. Permanent-split capacitor.
 2. Split phase.
 3. Capacitor start, inductor run.
 4. Capacitor start, capacitor run.
- B. Bearings: Prelubricated, antifriction ball bearings or sleeve bearings suitable for radial and thrust loading.
- C. Motors **1/20 HP** and Smaller: Shaded-pole type.
- D. Thermal Protection: Internal protection to automatically open power supply circuit to motor when winding temperature exceeds a safe value calibrated to temperature rating of motor insulation. Thermal-protection device shall automatically reset when motor temperature returns to normal range, unless otherwise indicated.

PART 3 - EXECUTION (Not Applicable)

END OF SECTION

THIS PAGE INTENTIONALLY LEFT BLANK

SECTION 23 05 17 - SLEEVES AND SLEEVE SEALS FOR HVAC PIPING

PART 1 - GENERAL

1.1 RELATED DOCUMENTS

- A. Drawings and general provisions of the Contract, including General and Supplementary Conditions and Division 01 Specification Sections, apply to this Section.

1.2 SUMMARY

- A. Section Includes:
 - 1. Sleeves.
 - 2. Sleeve-seal systems.
 - 3. Grout.

1.3 ACTION SUBMITTALS

- A. Product Data: For each type of product indicated.

PART 2 - PRODUCTS

2.1 SLEEVES

- A. Cast-Iron Wall Pipes: Cast or fabricated of cast or ductile iron and equivalent to ductile-iron pressure pipe, with plain ends and integral waterstop unless otherwise indicated.
- B. Galvanized-Steel Wall Pipes: ASTM A 53, Schedule 40, with plain ends and welded steel collar; zinc coated.
- C. Galvanized-Steel-Pipe Sleeves: ASTM A 53, Type E, Grade B, Schedule 40, zinc coated, with plain ends.
- D. PVC-Pipe Sleeves: ASTM D 1785, Schedule 40.
- E. Galvanized-Steel-Sheet Sleeves: 0.0239-inch minimum thickness; round tube closed with welded longitudinal joint.

2.2 SLEEVE-SEAL SYSTEMS

- A. Manufacturers: Subject to compliance with requirements, provide products by one of the following:

1. Advance Products & Systems, Inc.
2. CALPICO, Inc.
3. Metraflex Company (The).
4. Pipeline Seal and Insulator, Inc.
5. Proco Products, Inc.

- B. Description: Modular sealing-element unit, designed for field assembly, for filling annular space between piping and sleeve.
1. Sealing Elements: EPDM-rubber interlocking links shaped to fit surface of pipe. Include type and number required for pipe material and size of pipe.
 2. Pressure Plates: Stainless steel.
 3. Connecting Bolts and Nuts: Stainless steel of length required to secure pressure plates to sealing elements.

2.3 GROUT

- A. Standard: ASTM C 1107/C 1107M, Grade B, post-hardening and volume-adjusting, dry, hydraulic-cement grout.
- B. Characteristics: Nonshrink; recommended for interior and exterior applications.
- C. Design Mix: 5000-psi, 28-day compressive strength.
- D. Packaging: Premixed and factory packaged.

PART 3 - EXECUTION

3.1 SLEEVE INSTALLATION

- A. Install sleeves for piping passing through penetrations in floors, partitions, roofs, and walls.
- B. For sleeves that will have sleeve-seal system installed, select sleeves of size large enough to provide 1-inch annular clear space between piping and concrete slabs and walls.
1. Sleeves are not required for core-drilled holes.
- C. Install sleeves in concrete floors, concrete roof slabs, and concrete walls as new slabs and walls are constructed.
1. Permanent sleeves are not required for holes in slabs formed by molded-PE or -PP sleeves.
 2. Cut sleeves to length for mounting flush with both surfaces.
 - a. Exception: Extend sleeves installed in floors of mechanical equipment areas or other wet areas 2 inches above finished floor level.
 3. Using grout, seal the space outside of sleeves in slabs and walls without sleeve-seal system.
- D. Install sleeves for pipes passing through interior partitions.

1. Cut sleeves to length for mounting flush with both surfaces.
 2. Install sleeves that are large enough to provide 1/4-inch annular clear space between sleeve and pipe or pipe insulation.
 3. Seal annular space between sleeve and piping or piping insulation; use joint sealants appropriate for size, depth, and location of joint. Comply with requirements for sealants specified in Section 079200 "Joint Sealants."
- E. Fire-Barrier Penetrations: Maintain indicated fire rating of walls, partitions, ceilings, and floors at pipe penetrations. Seal pipe penetrations with firestop materials. Comply with requirements for firestopping specified in Section 078413 "Penetration Firestopping."

3.2 SLEEVE-SEAL-SYSTEM INSTALLATION

- A. Install sleeve-seal systems in sleeves in exterior concrete walls and slabs-on-grade at service piping entries into building.
- B. Select type, size, and number of sealing elements required for piping material and size and for sleeve ID or hole size. Position piping in center of sleeve. Center piping in penetration, assemble sleeve-seal system components, and install in annular space between piping and sleeve. Tighten bolts against pressure plates that cause sealing elements to expand and make a watertight seal.

3.3 SLEEVE AND SLEEVE-SEAL SCHEDULE

- A. Use sleeves and sleeve seals for the following piping-penetration applications:
1. Exterior Concrete Walls above Grade:
 - a. Piping Smaller Than NPS 6: Cast-iron wall sleeves.
 - b. Piping NPS 6 and Larger: Cast-iron wall sleeves.
 - c.
 2. Exterior Concrete Walls below Grade:
 - a. Piping Smaller Than NPS 6: Cast-iron wall sleeves with sleeve-seal system.
 - 1) Select sleeve size to allow for 1-inch annular clear space between piping and sleeve for installing sleeve-seal system.
 - b. Piping NPS 6 and Larger: Cast-iron wall sleeves with sleeve-seal system.
 - 1) Select sleeve size to allow for 1-inch annular clear space between piping and sleeve for installing sleeve-seal system.
 3. Concrete Slabs-on-Grade:
 - a. Piping Smaller Than NPS 6: Cast-iron wall sleeves with sleeve-seal system.
 - 1) Select sleeve size to allow for 1-inch annular clear space between piping and sleeve for installing sleeve-seal system.
 - b. Piping NPS 6 and Larger: Cast-iron wall sleeves with sleeve-seal system.
 - 1) Select sleeve size to allow for 1-inch annular clear space between piping and sleeve for installing sleeve-seal system.
 4. Concrete Slabs above Grade:
 - a. Piping Smaller Than NPS 6: Galvanized-steel-pipe sleeves.
 - b. Piping NPS 6 and Larger: Galvanized-steel-pipe sleeves.
 5. Interior Partitions:
 - a. Piping Smaller Than NPS 6: Galvanized-steel-pipe sleeves.

- b. Piping NPS 6 and Larger: Galvanized-steel-sheet sleeves.

END OF SECTION

SECTION 23 05 19 - METERS AND GAGES FOR HVAC

PART 1 - GENERAL

1.1 RELATED DOCUMENTS

- A. Drawings and general provisions of the Contract, including General and Supplementary Conditions and Division 01 Specification Sections, apply to this Section.

1.2 SUMMARY

- A. Section Includes:
 - 1. Liquid-in-glass thermometers.
 - 2. Thermowells.
 - 3. Pressure gages.
 - 4. Gage attachments.
 - 5. Test plugs.
 - 6. Test-plug kits.
 - 7. Flowmeters.
- B. Related Sections:
 - 1. Division 23 Section "Steam and Condensate Heating Piping" for steam and condensate meters.

1.3 ACTION SUBMITTALS

- A. Product Data: For each type of product indicated.
- B. Wiring Diagrams: For power, signal, and control wiring.

1.4 INFORMATIONAL SUBMITTALS

- A. Product Certificates: For each type of meter and gage, from manufacturer.

1.5 CLOSEOUT SUBMITTALS

- A. Operation and Maintenance Data: For meters and gages to include in operation and maintenance manuals.

PART 2 - PRODUCTS

2.1 LIQUID-IN-GLASS THERMOMETERS

A. Metal-Case, Industrial-Style, Liquid-in-Glass Thermometers:

1. Manufacturers: Subject to compliance with requirements, provide products by one of the following:
 - a. Palmer Wahl Instrumentation Group.
 - b. Trerice, H. O. Co.
 - c. Weiss Instruments, Inc.
 - d. Weksler.
2. Standard: ASME B40.200.
3. **Case:** Die Cast aluminum or brass; nominal size unless otherwise indicated.
4. Case Form: **Adjustable angle** type unless otherwise indicated, 180 degrees in vertical plane, 360 degrees in horizontal plane, with locking device.
5. **Tube:** Glass with magnifying lens and **blue** organic liquid.
6. Tube Background: Satin faced, nonreflective aluminum with permanently etched scale markings graduated in **deg F**.
7. Window: **Glass**.
8. **Stem:** Copper-plated steel, aluminum, stainless steel, or brass designed for thermowell installation. Stem shall be of length to match thermowell insertion length.
 - a. **Design for** Thermowell Installation: Bare stem.
9. Connector: **1-1/4 inches**, with ASME B1.1 screw threads.
10. Accuracy: Plus or minus 1 percent of scale range or one scale division, to a maximum of 1.5 percent of scale range.

2.2 THERMOWELLS

A. Thermowells:

1. Manufacturers: Subject to compliance with requirements, provide products by one of the following:
 - a. AMETEK, Inc.; U.S. Gauge Div.
 - b. Ashcroft Commercial Instrument Operations; Dresser Industries; Instrument Div.
 - c. Ernst Gage Co.
 - d. Marsh Bellofram.
 - e. Miljoco Corp.
 - f. NANMAC Corporation.
 - g. Noshok, Inc.
 - h. Palmer - Wahl Instruments Inc.
 - i. REO TEMP Instrument Corporation.
 - j. Tel-Tru Manufacturing Company.

- k. Trerice, H. O. Co.
 - l. Weiss Instruments, Inc.
 - m. Weksler
 - n. WIKA Instrument Corporation.
 - o. Winters Instruments.
2. Manufacturers: Same as manufacturer of thermometer being used.
 3. Standard: ASME B40.200.
 4. Description: Pressure-tight, socket-type fitting made for insertion into piping tee fitting.
 5. **Material for Use with Copper Tubing: Brass.**
 6. **Material for Use with Steel Piping: Brass.**
 7. Type: Stepped shank unless straight or tapered shank is indicated.
 8. External Threads: **NPS 1/2, NPS 3/4, NPS 1 or NPS 1-1/4** ASME B1.20.1 pipe threads.
 9. Internal Threads: **1/2, 3/4, and 1 inch** with ASME B1.1 screw threads.
 10. Bore: Diameter required to match thermometer bulb or stem.
 11. Insertion Length: Length required to match thermometer bulb or stem.
 12. Lagging Extension: Include on thermowells for insulated piping and tubing.
 13. Bushings: For converting size of thermowell's internal screw thread to size of thermometer connection.
- B. Heat-Transfer Medium: Mixture of graphite and glycerin.

2.3 PRESSURE GAGES

- A. Direct-Mounted, Metal-Case, Dial-Type Pressure Gages:
1. Manufacturers: Subject to compliance with requirements, provide products by one of the following:
 - a. AMETEK, Inc.; U.S. Gauge.
 - b. Ashcroft Inc.
 - c. Ernst Flow Industries.
 - d. KOBOLD Instruments, Inc.
 - e. Marsh Bellofram.
 - f. Miljoco Corporation.
 - g. Noshok.
 - h. Palmer Wahl Instrumentation Group.
 - i. REOTEMP Instrument Corporation.
 - j. Trerice, H. O. Co.
 - k. Weiss Instruments, Inc.
 - l. Weksler
 - m. WIKA Instrument Corporation.
 - n. Winters Instruments - U.S.
 2. Standard: ASME B40.100.
 3. **Case:** Liquid-filled type; cast aluminum or drawn steel; **4-1/2-inch** nominal diameter.
 4. Pressure-Element Assembly: Bourdon tube unless otherwise indicated.

5. Pressure Connection: Brass, with ASME B1.20.1 pipe threads and bottom-outlet type unless back-outlet type is indicated. **NPS 1/4 or NPS 1/2.**
6. Movement: Mechanical, with link to pressure element and connection to pointer.
7. Dial: Satin faced, nonreflective aluminum with permanently etched scale markings graduated in **psi** .
8. Pointer: Dark-colored metal.
9. Window: Glass.
10. **Ring: Stainless steel.**
11. **Accuracy: Grade A, plus or minus 1 percent of middle half of scale range.**

B. Remote-Mounted, Metal-Case, Dial-Type Pressure Gages:

1. Manufacturers: Subject to compliance with requirements, provide products by one of the following:
 - a. AMETEK, Inc.; U.S. Gauge.
 - b. Ashcroft Inc.
 - c. Ernst Flow Industries.
 - d. KOBOLD Instruments, Inc.
 - e. Marsh Bellofram.
 - f. Miljoco Corporation.
 - g. Noshok.
 - h. Palmer Wahl Instrumentation Group.
 - i. REOTEMP Instrument Corporation.
 - j. Trerice, H. O. Co.
 - k. Weiss Instruments, Inc.
 - l. Weksler
 - m. WIKA Instrument Corporation.
 - n. Winters Instruments - U.S.
2. Standard: ASME B40.100.
3. **Case: Liquid-filled, cast aluminum or drawn steel;** diameter with **back** flange for panel surface mounting or front flange for panel recessed mounting. Flanges to include pre-drilled screw holes.
4. Pressure-Element Assembly: Bourdon tube unless otherwise indicated.
5. Pressure Connection: Brass, with ASME B1.20.1 pipe threads and bottom-outlet type unless back-outlet type is indicated. **NPS 1/4 or NPS 1/2.**
6. Movement: Mechanical, with link to pressure element and connection to pointer.
7. Dial: Satin faced, nonreflective aluminum with permanently etched scale markings graduated in **psi** .
8. Pointer: Dark-colored metal.
9. Window: **Glass.**
10. **Ring: Stainless steel.**
11. **Accuracy: Grade A, plus or minus 1 percent of middle half of scale range.**

2.4 GAGE ATTACHMENTS

- A. Snubbers: ASME B40.100, brass; with ASME B1.20.1 pipe threads. Include extension for use on insulated piping. **NPS 1/4 or NPS 1/2** .
 1. **Surge-dampening device: porous-metal-type.**

- B. Siphons:
 - 1. **Loop-shaped section: Brass** pipe with pipe threads. **NPS 1/4 or NPS 1/2.**
- C. Valves:
 - 1. **Needle: Brass**, with **NPS 1/4 or NPS 1/2** ASME B1.20.1 pipe threads.

2.5 TEST PLUGS

- A. Manufacturers: Subject to compliance with requirements, provide products by one of the following:
 - 1. Flow Design, Inc.
 - 2. MG Piping Products Co.
 - 3. National Meter, Inc.
 - 4. Peterson Equipment Co., Inc.
 - 5. Sisco Manufacturing Company, Inc.
 - 6. Trerice, H. O. Co.
 - 7. Twin City Hose.
 - 8. Watts Regulator Co.; a div. of Watts Water Technologies, Inc.
 - 9. Welsler.
- B. Description: Test-station fitting made for insertion into piping tee fitting.
- C. Body: Brass or stainless steel with core inserts and gasketed and threaded cap. Include extended stem on units to be installed in insulated piping.
- D. Thread Size: or , ASME B1.20.1 pipe thread.
- E. Minimum Pressure and Temperature Rating:
- F. Core Inserts: Self-sealing synthetic rubber;
 - 1. EPDM (Nordel) for air, water or glycol operation between **30 and 275 deg F.**
 - 2. CR (Neoprene) for air, water, glycol, oil, or gas operation between **-30 to 200 deg F.**

2.6 TEST-PLUG KITS

- A. Manufacturers: Subject to compliance with requirements, provide products by one of the following:
 - 1. Flow Design, Inc.
 - 2. MG Piping Products Co.
 - 3. National Meter, Inc.
 - 4. Peterson Equipment Co., Inc.
 - 5. Sisco Manufacturing Company, Inc.
 - 6. Trerice, H. O. Co.
 - 7. Watts Regulator Co.; a div. of Watts Water Technologies, Inc.
 - 8. Weiss Instruments, Inc.

- B. Furnish the number of test-plug kits given below with the number of thermometers given below, with each kit having one pressure gage and adapter, and carrying case. Thermometer sensing elements, pressure gage, and adapter probes shall be of diameter to fit test plugs and of length to project into piping.
1. Low-Range Thermometer: Small, bimetallic insertion type with **1- to 2-inch** diameter dial and tapered-end sensing element. Dial range shall be at least **25 to 125 deg F**.
 2. High-Range Thermometer: Small, bimetallic insertion type with **1- to 2-inch** diameter dial and tapered-end sensing element. Dial range shall be at least **0 to 220 deg F**.
 3. Pressure Gage: Small, Bourdon-tube insertion type with **2- to 3-inch** diameter dial and probe. Dial range shall be at least **to 200 psig**.
 4. Carrying Case: Metal or plastic, with formed instrument padding.
 5. **One test-plug kit with:**
 - a. **Two** thermometers.

2.7 FLOWMETERS

A. Orifice Flowmeters:

1. Manufacturers: Subject to compliance with requirements, provide products by one of the following:
 - a. ABB; Instrumentation and Analytical.
 - b. Armstrong Pumps Inc.; S. A. Armstrong Limited.
 - c. Badger Meter, Inc.; Industrial Div.
 - d. Bell & Gossett; ITT Industries.
 - e. Meriam Process Technologies.
 - f. Spirax Sarco
2. Description: Flowmeter with sensor, hoses or tubing, quick connect hose fittings, valves, indicator, and conversion chart.
3. Flow Range: Sensor and indicator shall cover operating range of equipment or system served.
4. Sensor: Wafer-orifice-type, calibrated, flow-measuring element; for installation between pipe flanges.
 - a. Design: Differential-pressure-type measurement:
 - 1) For HVAC hot and chilled **water**.
 - b. Construction: Cast-iron body, brass valves with integral check valves and caps, and calibrated nameplate.
 - c. Minimum Pressure Rating: **300 psig**.
 - d. Minimum Temperature Rating: **250 deg F**.
5. Portable Indicators: Hand-held, differential-pressure type, calibrated for connected sensor and having two **12-foot** hoses, with carrying case.
 - a. Scale: **Gallons per minute**.

- b. Accuracy: Plus or minus 2 percent between 20 and 80 percent of scale range .
 6. Conversion Chart: Flow rate data compatible with sensor and indicator.
 7. Operating Instructions: Include complete instructions with each flowmeter.
- B. Venturi Flowmeters:
 1. Manufacturers: Subject to compliance with requirements, provide products by one of the following:
 - a. Armstrong Pump
 - b. Badger Meter, Inc.; Industrial Division
 - c. Bailey-Fischer & Porter Co.
 - d. Flow Design, Inc.
 - e. Gerand Engineering Co.
 - f. Hyspan Precision Products, Inc.
 - g. Leeds & Northrup.
 - h. McCrometer, Inc.
 - i. Preso Meters; a division of Racine Federated Inc.
 - j. Victaulic Company.
 - k. Spirax Sarco
 2. Description: Flowmeter with calibrated flow-measuring element, hoses or tubing, quick connect hose fittings, valves, indicator, and conversion chart.
 3. Flow Range: Sensor and indicator shall cover operating range of equipment or system served.
 4. Sensor: Venturi-type, calibrated, flow-measuring element; for installation in piping.
 - a. **Design:** Differential-pressure-type measurement for **water**.
 - b. Construction: Bronze, brass, or factory-primed steel, with brass fittings and attached tag with flow conversion data.
 - c. Minimum Pressure Rating: **250 psig** .
 - d. Minimum Temperature Rating: **250 deg F** .
 - e. End Connections for **NPS 2** and Smaller: Threaded.
 - f. End Connections for **NPS 2-1/2** and Larger: Flanged or welded.
 - g. Flow Range: Flow-measuring element and flowmeter shall cover operating range of equipment or system served.

PART 3 - EXECUTION

3.1 INSTALLATION

- A. **Install thermowells:** with socket extending **one-third of pipe diameter** and in vertical position in piping tees.
- B. Install thermowells of sizes required to match thermometer connectors. Include bushings if required to match sizes.

- C. Install thermowells with extension on insulated piping.
- D. Fill thermowells with heat-transfer medium.
- E. Install direct-mounted thermometers in thermowells and adjust vertical and tilted positions to most readable position.
- F. Install direct-mounted pressure gages in piping tees with pressure gage located on pipe at the most readable position.
- G. Install needle-valve and snubber in piping for each pressure gage for fluids. Exception: Steam.
- H. Install test plugs in piping tees.
- I. Install thermometers in the following locations:
 - 1. Inlet and outlet of each hydronic boiler.
 - 2. Two inlets and two outlets of each chiller.
 - 3. Inlet and outlet of each hydronic coil in air-handling units.
 - 4. Two inlets and two outlets of each hydronic heat exchanger.
 - 5. Inlet and outlet of each thermal-storage tank.
 - 6. Inlet and outlet of each piece of steam equipment.
- J. Install pressure gages in the following locations:
 - 1. Inlet and discharge of each pressure-reducing valve.
 - 2. Inlet and outlet of each chiller chilled-water and condenser-water connection.
 - 3. Suction and discharge of each pump.

3.2 CONNECTIONS

- A. Install meters and gages adjacent to machines and equipment to allow service and maintenance of meters, gages, machines, and equipment.

3.3 ADJUSTING

- A. Adjust faces of meters and gages to proper angle for best visibility.

3.4 THERMOMETER SCHEDULE

- A. Thermometers at inlet and outlet of each hydronic zone shall be **one of** the following:
 - 1. **Test plug:** With EPDM self-sealing rubber inserts.
- B. Thermometers at inlet and outlet of each hydronic coil in air-handling units and built-up central systems shall be **one of** the following:
 - 1. **Industrial-style,** liquid-in-glass type.

- C. Thermometers at inlet and outlet of each hydronic coil at fan coils, cabinet heaters, unit heaters and reheat coils and as shown on details shall be the following:
 - 1. **Industrial**-style, liquid-in-glass type.
 - 2. Test plug with **[CR] [chlorosulfonated polyethylene synthetic]** self-sealing rubber inserts.
 - 3. Test plug with **EPDM** self-sealing rubber inserts.
- D. Thermometers at inlets and outlets of each hydronic heat exchanger shall be the **one of** following:
 - 1. **Industrial**-style, liquid-in-glass type.
- E. Thermometer stems shall be of length to match thermowell insertion length.

3.5 THERMOMETER SCALE-RANGE SCHEDULE

- A. Scale Range for Chilled-Water Piping: **0 to 100 deg F** .
- B. Scale Range for Heating, Hot-Water Piping: **30 to 240 deg F**.
- C. Scale Range for Steam and Steam-Condensate Piping: **30 to 240 deg F**.

3.6 PRESSURE-GAGE SCHEDULE

- A. Pressure gages at inlet and discharge of each pressure-reducing valve shall be the **one of** following:
 - 1. Dry-case type, direct-mounted, metal case.
- B. Pressure gages at suction and discharge of each pump shall be **one of** the following:
 - 1. **Liquid-filled**, direct-mounted, metal case.

3.7 PRESSURE-GAGE SCALE-RANGE SCHEDULE

- A. Scale Range for Chilled-Water, Condenser-Water, Heating, Hot-Water, Steam and Condensate Piping shall be twice the normal operating pressure of the measured system with gage ranges as follows:
 - 1. **30 in. Hg to 15 psi** .
 - 2. **0 to 30 psi** .
 - 3. **0 to 100 psi** .
 - 4. **0 to 160 psi** .
 - 5. **0 to 200 psi** .
 - 6. **0 to 300 psi** .
 - 7. **0 to 600 psi** .

3.8 FLOWMETER SCHEDULE

- A. Flowmeters for Chilled-Water Piping: **Venturi** type.
- B. Flowmeters for Heating, Hot-Water Piping: **Venturi** type.

END OF SECTION

SECTION 23 05 23 - GENERAL-DUTY VALVES FOR HVAC PIPING

PART 1 - GENERAL

1.1 RELATED DOCUMENTS

- A. Drawings and general provisions of the Contract, including General and Supplementary Conditions and Division 01 Specification Sections, apply to this Section.

1.2 SUMMARY

A. Section Includes:

- 1. Bronze ball valves.
- 2. Iron, single-flange butterfly valves.
- 3. Bronze lift check valves.
- 4. Bronze swing check valves.
- 5. Iron swing check valves.
- 8. Bronze globe valves.
- 9. Iron globe valves.
- 10. Lubricated plug valves.
- 11. Chainwheels.

B. Related Sections:

- 1. Section 230553 "Identification for HVAC Piping and Equipment" for valve tags and schedules.

1.3 DEFINITIONS

- A. CWP: Cold working pressure.
- B. EPDM: Ethylene propylene copolymer rubber.
- C. NBR: Acrylonitrile-butadiene, Buna-N, or nitrile rubber.
- D. NRS: Nonrising stem.
- E. OS&Y: Outside screw and yoke.
- F. RS: Rising stem.
- G. SWP: Steam working pressure.

1.4 ACTION SUBMITTALS

- A. Product Data: For each type of valve indicated. Body material, valve design, pressure and temperature classification, end connection details, seating materials, trim material and arrangement, dimensions and required clearances, and installation instructions. Include list indicating valve and its application.
- B. Maintenance data for valves to be included in the operation and maintenance data specified in Division 1. Include detailed manufacturer's instructions on adjusting, servicing, disassembling, and repairing.

1.5 QUALITY ASSURANCE

- A. Source Limitations for Valves: Obtain each type of valve as listed in SUMMARY from a single source and from a single manufacturer.
- B. Compliance:
 - 1. ASME B16.10 and ASME B16.34 for ferrous valve dimensions and design criteria.
 - 2. ASME B31.1 for power piping valves.
 - 3. ASME B31.9 for building services piping valves.
 - 4. MSS Compliance: Comply with the various MSS Standard Practice documents referenced.

1.6 DELIVERY, STORAGE, AND HANDLING

- A. Prepare valves for shipping as follows:
 - 1. Protect internal parts against rust and corrosion.
 - 2. Protect threads, flange faces, and weld ends.
 - 3. **Set** angle, and globe valves closed to prevent rattling.
 - 4. Set ball and plug valves open to minimize exposure of functional surfaces.
 - 5. Set butterfly valves closed or slightly open.
 - 6. Block check valves in either closed or open position.
- B. Use the following precautions during storage:
 - 1. Maintain valve end protection.
 - 2. Store valves indoors and maintain at higher than ambient dew point temperature. If outdoor storage is necessary, store valves off the ground in watertight enclosures.
- C. Use sling to handle large valves; rig sling to avoid damage to exposed parts. Do not use handwheels or stems as lifting or rigging points.

PART 2 - PRODUCTS

2.1 GENERAL REQUIREMENTS FOR VALVES

- A. Refer to HVAC valve schedule articles for applications of valves.
 - B. Valve Pressure and Temperature Ratings: Not less than indicated and as required for system pressures and temperatures.
 - C. Valve Sizes: Same as upstream piping unless otherwise indicated.
 - D. Valve Actuator Types:
 - 1. Gear Actuator: For quarter-turn valves NPS 8 and larger.
 - 2. Handwheel: For valves other than quarter-turn types.
 - 3. Handlever: For quarter-turn valves NPS 6 and smaller[**except plug valves**].
 - 4. Wrench: For plug valves with square heads. Furnish Owner with 1 wrench for every **[5] [10] <Insert number>** plug valves, for each size square plug-valve head.
 - 5. Chainwheel: Device for attachment to valve handwheel, stem, or other actuator; of size and with chain for mounting height, as indicated in the "Valve Installation" Article.
 - E. Valves in Insulated Piping: With 2-inch stem extensions and the following features:
 - 2. Ball Valves: With extended operating handle of non-thermal-conductive material, and protective sleeve that allows operation of valve without breaking the vapor seal or disturbing insulation.
 - 3. Butterfly Valves: With extended neck.
 - F. Valve-End Connections:
 - 1. Flanged: With flanges according to ASME B16.1 for iron valves.
 - 2. Solder Joint: With sockets according to ASME B16.18.
 - a. **Caution:** Where soldered end connections are used, use solder having a melting point below 840 deg. For, globe, and check valves: below 421 deg. F for ball valves.
 - 3. Threaded: With threads according to ASME B1.20.1.
 - G. Valve Bypass and Drain Connections: MSS SP-45.
-
- 2.2 MANUFACTURERS
 - A. Subject to compliance with requirements, provide products by one of the following:
 - 1. APCO Willamette Valve and Primer Corp.
 - 2. Babbitt Steam Specialty Company.
 - 3. Bray Controls.
 - 4. Center Line.
 - 5. Cla-Val Company.

6. Conbraco Industries Inc.
7. Crane Co.; Crane Valve Group.
8. Fisher Valve by Emerson.
9. Flo Fab Inc.
10. Flow-Tek Inc.
11. Grinnell Corporation.
12. Hammond Valve.
13. Jamesbury; a subsidiary of Metso Automation.
14. Jomar International LTD.
15. Keystone Valve USA, Inc.
16. Kitz Corp.
17. Metraflex Company.
18. Milwaukee Valve Company.
19. Mueller Steam Specialty.
20. NIBCO Inc.
21. Red-White Valve Corp.
22. Spence Strainers International.
23. Stockham Valves and Fittings, Inc.
24. Tyco Fire/Shurjoint Piping Products.
25. Tyco/Pentair LTD.
26. Val-Matic Valve & Mfg. Corp.
27. Victaulic Company.
28. Watts Regulator Company.

2.4 BRONZE BALL VALVES

C. Two-Piece, Full-Port, Bronze Ball Valves with Bronze Trim:

1. Description:
 - a. Standard: MSS SP-110.
 - b. SWP Rating: 150 psig.
 - c. CWP Rating: 600 psig.
 - d. Body Design: Two piece.
 - e. Body Material: Bronze.
 - f. Ends: Threaded.
 - g. Seats: PTFE or TFE.
 - h. Stem: Bronze.
 - i. Ball: Chrome-plated brass.
 - j. Port: Full.

2.5 IRON, SINGLE-FLANGE BUTTERFLY VALVES

A. 150 CWP, Iron, Single-Flange (Lug) Butterfly Valves:

1. Description:
 - a. Standard: MSS SP-67, Type I.

- b. CWP Rating: 150 psig.
 - c. Body Design: Lug type; suitable for bidirectional dead-end service at rated pressure without use of downstream flange.
 - d. Body Material: ASTM A 126, cast iron or ASTM A 536, ductile iron.
 - e. Seat: EPDM.
 - f. Stem: One- or two-piece stainless steel.
 - g. **Disc: Nylon 11 coated ductile iron.**
- B. 175 CWP, Iron, Single-Flange (Lug) Butterfly Valves:
- 1. Description:
 - a. Standard: MSS SP-67, Type I.
 - b. CWP Rating: 175 psig.
 - c. Body Design: Lug type; suitable for bidirectional dead-end service at rated pressure without use of downstream flange.
 - d. Body Material: ASTM A 126, cast iron or ASTM A 536, ductile iron.
 - e. Seat: EPDM.
 - f. Stem: One- or two-piece stainless steel.
 - g. **Disc: Nylon 11 coated ductile iron.**
- C. 200 CWP, Iron, Single-Flange Butterfly Valves with EPDM Seat and **Nylon 11 coated ductile Iron or Stainless Steel** Disc:
- 1. Description:
 - a. Standard: MSS SP-67, Type I.
 - b. CWP Rating: 200 psig.
 - c. Body Design: Lug type; suitable for bidirectional dead-end service at rated pressure without use of downstream flange.
 - d. Body Material: ASTM A 126, cast iron or ASTM A 536, ductile iron.
 - e. Seat: EPDM.
 - f. Stem: One- or two-piece stainless steel.
 - g. **Disc: Nylon 11 coated ductile iron.**
- D. 250 CWP, Iron, Single-Flange Butterfly Valves with EPDM Seat and **Nylon 11 coated ductile Iron or Stainless Steel** Disc:
- 1. Description:
 - a. Standard: MSS SP-67, Type I.
 - b. CWP Rating: 250 psig.
 - c. Body Design: Lug type; suitable for bidirectional dead-end service at rated pressure without use of downstream flange.
 - d. Body Material: ASTM A 126, cast iron or ASTM A 536, ductile iron.
 - e. Seat: EPDM.
 - f. Stem: One- or two-piece stainless steel.
 - g. **Disc: Nylon 11 coated ductile iron.**

2.6 BRONZE LIFT CHECK VALVES

A. Class 125, Lift Check Valve:

1. Description:

- a. Standard: MSS SP-80.
- b. CWP Rating: 200 psig.
- c. Body Design: Vertical flow.
- d. Body Material: ASTM B 61, ASTM B 62, bronze.
- e. **Ends: Threaded.**
- f. **Disc: Bronze, Type 1.**

2.7 BRONZE SWING CHECK VALVES

A. Class 150, Bronze Swing Check Valves with Bronze Disc:

1. Description:

- a. Standard: MSS SP-80, Type 3.
- b. CWP Rating: 300 psig.
- c. Body Design: Horizontal flow.
- d. Body Material: ASTM B 62, bronze.
- e. Ends: Threaded.
- f. Disc: Bronze.

2.8 IRON SWING CHECK VALVES

A. Class 125, Iron Swing Check Valves with Metal Seats:

1. Description:

- a. Standard: MSS SP-71, Type I.
- b. **NPS 2-1/2 to NPS 12, CWP Rating: 200 psig.**
- c. Body Design: Clear or full waterway.
- d. Body Material: ASTM A 126, gray iron with bolted bonnet.
- e. Ends: Flanged.
- f. Trim: Bronze.
- g. Gasket: Asbestos free.

2.9 BRONZE GLOBE VALVES

A. Class 150, Bronze Globe Valves with Nonmetallic Disc:

1. Description:

- a. Standard: MSS SP-80, Type 2.
- b. CWP Rating: 300 psig.
- c. Body Material: ASTM B 62, bronze with integral seat and union-ring bonnet.

- d. **Ends: Threaded.**
- e. Stem: Bronze.
- f. Disc: PTFE or TFE.
- g. Packing: Teflon impregnated, asbestos free.
- h. **Handwheel: Malleable iron.**

2.10 IRON GLOBE VALVES

A. Class 125, Iron Globe Valves:

1. Description:

- a. Standard: MSS SP-85, Type I.
- b. CWP Rating: 200 psig.
- c. Body Material: ASTM A 126, gray iron with bolted bonnet.
- d. Ends: Flanged.
- e. Stem: Brass alloy. OS &Y.
- f. Disc: Renewable bronze seat.
- g. Trim: Bronze.
- h. Packing and Gasket: Teflon impregnated, asbestos free.
- i. Handwheel: Cast iron

2.11 LUBRICATED PLUG VALVES

A. Class 125, Regular-Gland, Lubricated Plug Valves with Threaded Ends:

1. Description:

- a. Standard: MSS SP-78, Type II.
- b. **NPS 2-1/2 to NPS 12, CWP Rating: 200 psig.**
- c. **Pattern: Regular or short.**
- d. Body Material: ASTM A 48 or ASTM A 126, cast iron with lubrication-sealing system.
- e. Plug: Cast iron or bronze with sealant groove.

2.12 CHAINWHEELS

A. Description: Valve actuation assembly with sprocket rim, brackets, and chain.

- 1. Brackets: Type, number, size, and fasteners required to mount actuator on valve.
- 2. Attachment: For connection to **[ball]** **[butterfly]** **[and]** **[plug]** valve stems.
- 3. **Sprocket Rim with Chain Guides: Ductile or cast iron**, of type and size required for valve. Include zinc coating.
- 4. **Chain: Hot-dip, galvanized steel**, of size required to fit sprocket rim.

PART 3 - EXECUTION

3.1 EXAMINATION

- A. Examine piping system for compliance³ with requirements for installation tolerances and other conditions affecting performance of valves. Do not proceed with installation until unsatisfactory conditions have been corrected.
- B. Examine valve interior for cleanliness, freedom from foreign matter, and corrosion. Remove special packing materials, such as blocks, used to prevent disc movement during shipping and handling.
- C. Operate valves in positions from fully open to fully closed. Examine guides and seats made accessible by such operations.
- D. Examine threads on valve and mating pipe for form and cleanliness.
- E. Examine mating flange faces for conditions that might cause leakage. Check bolting for proper size, length, and material. Verify that gasket is of proper size, that its material composition is suitable for service, and that it is free from defects and damage.
- F. Do not attempt to repair defective valves; replace with new valves.

3.2 VALVE INSTALLATION

- A. Install valves as indicated, according to manufacturer's written instructions.
- B. Piping installation requirements are specified in other Division 23 Sections. Drawings indicate the general arrangement of piping, fittings, and specialties.
- C. Install valves with unions or flanges at each piece of equipment arranged to allow service, maintenance, and equipment removal without system shutdown.
- D. Locate valves for easy access and provide separate support where necessary.
- E. Install valves in horizontal piping with stem at or above center of pipe.
- F. Install valves in position to allow full stem movement.
- G. **Install chainwheels** on operators for ball, butterfly globe and plug valves NPS 4 and larger and more than **96 inches** above floor.
- H. **Extend** the chainwheels for chains to **60 inches** above finished floor.
- I. Install check valves for proper direction of flow and as follows:
 - 1. Swing Check Valves: In horizontal position with hinge pin level.
 - 2. Check Valves: In horizontal or vertical position, between flanges.
 - 3. Lift Check Valves: With stem upright and plumb.

4. Install all check valves a minimum of five pipe diameters downstream of pump discharge or elbow to avoid flow turbulence. In extreme cases add flow straighteners as required to correct the turbulence.

3.3 ADJUSTING

- A. Adjust or replace valve packing after piping systems have been tested and put into service but before final adjusting and balancing. Replace valves if persistent leaking occurs.

3.4 GENERAL REQUIREMENTS FOR VALVE APPLICATIONS

- A. If valve applications are not indicated, use the following:
 1. **Shutoff Service: Ball** or **butterfly** valves.
 2. Butterfly Valve Dead-End Service: Single-flange (lug) type.
 3. **Throttling Service except Steam: Globe** valves.
 4. **Throttling Service, Steam: Globe** valves.
 5. Pump-Discharge Check Valves:
 - a. **NPS 2 and Smaller:** Bronze swing check valves with **bronze** disc.
 - b. **NPS 2-1/2 and Larger:** Iron swing check valves with lever and weight or with spring or iron, **metal**-seat check valves.
 6. Drain Service (except Steam): Two-Piece, Full Port Bronze Ball Valves with Bronze Trim. To be installed with NPS 3/4 hose thread outlet and hose cap with chain.
- B. If valves with specified SWP classes or CWP ratings are not available, the same types of valves with higher SWP classes or CWP ratings may be substituted.
- C. Select valves, except wafer types, with the following end connections:
 1. For Copper Tubing, NPS 2 and Smaller: Threaded ends except where solder-joint valve-end option is indicated in valve schedules below.
 2. For Copper Tubing, NPS 2-1/2 to NPS 4: Flanged ends except where threaded valve-end option is indicated in valve schedules below.
 3. For Copper Tubing, NPS 5 and Larger: Flanged ends.
 4. For Steel Piping, NPS 2 and Smaller: Threaded ends.
 5. For Steel Piping, NPS 2-1/2 to NPS 4: Flanged ends except where threaded valve-end option is indicated in valve schedules below.
 6. For Steel Piping, NPS 5 and Larger: Flanged ends.

3.5 CHILLED-WATER VALVE SCHEDULE

- A. Pipe NPS 2 and Smaller:
 1. **Bronze Valves:** May be provided with solder-joint ends instead of threaded ends.
 3. Ball Valves:
 - a. **Piece: Two**

- b. **Port: Full.**
 - c. **Material/Trim: Bronze with:**
 - 1) **Bronze** trim.
 - 4. Bronze Swing Check Valves:
 - a. **Class 150**
 - b. **Bronze** disc.
 - 6. Bronze Globe Valves:
 - a. **Class 125**
 - b. **Bronze** disc.
- B. Pipe NPS 2-1/2 and Larger:
- 1. Iron Valves, NPS 2-1/2 to NPS 4: May be provided with threaded ends instead of flanged ends.
 - 2. Iron, Single-Flange Butterfly Valves, NPS 2-1/2 to NPS 12:
 - a. 200 CWP,
 - b. **Seat: EPDM.**
 - c. **Disc: Ductile-iron.**
 - 3. **Iron Swing Check Valves: Class 125**, metal seats.
 - 4. **Iron Globe Valves: Class 125.**
 - 5. **Lubricated Plug Valves: Class 125, regular gland, flanged.**

3.6 HEATING-WATER VALVE SCHEDULE

- A. Pipe NPS 2 and Smaller:
- 1. **Bronze Valves:** May be provided with solder-joint ends instead of threaded ends.
 - 3. Ball Valves:
 - a. **Piece: Two**
 - b. **Port: Full.**
 - c. **Material/Trim: Bronze with:**
 - 1) **Bronze** trim.
 - 4. Bronze Swing Check Valves:
 - a. **Class 150**
 - b. **Bronze** disc.
 - 6. Bronze Globe Valves:
 - a. **Class 125**
 - b. **Bronze** disc.
- B. Pipe NPS 2-1/2 and Larger:
- 1. Iron Valves, NPS 2-1/2 to NPS 4: May be provided with threaded ends instead of flanged ends.
 - 2. Iron, Single-Flange Butterfly Valves, NPS 2-1/2 to NPS 12:
 - a. 200 CWP,
 - b. **Seat: EPDM.**
 - c. **Disc: Ductile-iron.**
 - 3. **Iron Swing Check Valves: Class 125**, metal seats.
 - 5. **Iron Globe Valves: Class 125.**

3.7 LOW-PRESSURE STEAM VALVE SCHEDULE (15 PSIG OR LESS)

A. Pipe NPS 2 and Smaller:

1. Ball Valves:
 - a. **Piece: Two**
 - b. **Port: Full.**
 - c. **Material/Trim: Bronze with:**
 - 1) **Bronze** trim.
2. Bronze Swing Check Valves:
 - a. **Class 150**
 - b. **Bronze** disc.
4. Bronze Globe Valves:
 - a. **Class 125**
 - b. **Bronze** disc.

B. Pipe NPS 2-1/2 and Larger:

1. Iron Valves, NPS 2-1/2 to NPS 4: May be provided with threaded ends instead of flanged ends.
2. **Iron Swing Check Valves: Class 125**, metal seats.
3. **Iron Globe Valves: NPS 2-1/2 to NPS 12: Class 125.**

3.8 HIGH-PRESSURE STEAM VALVE SCHEDULE (MORE THAN 15 PSIG)

A. Pipe NPS 2 and Smaller:

1. Ball Valves:
 - a. **Piece: Two**
 - b. **Port: Full.**
 - c. **Material/Trim: Bronze with:**
 - 1) **Bronze** trim.
2. Bronze Swing Check Valves:
 - a. **Class 150**
 - b. **Bronze** disc.
4. Bronze Globe Valves:
 - a. **Class 125**
 - b. **Bronze** disc.

B. Pipe Sizes NPS 2-1/2 and Larger:

1. Iron Valves, NPS 2-1/2 to NPS 4: May be provided with threaded ends instead of flanged ends.
2. **Iron Swing Check Valves: Class 125**, metal seats.
3. **Iron Globe Valves: NPS 2-1/2 to NPS 12: Class 125.**

3.9 STEAM-CONDENSATE VALVE SCHEDULE

A. Pipe NPS 2 and Smaller:

1. Ball Valves:
 - a. **Piece: Two**
 - b. **Port: Full.**
 - c. **Material/Trim: Bronze with:**
 - 1) **Bronze** trim.
 2. Bronze Swing Check Valves:
 - a. **Class 150**
 - b. **Bronze** disc.
 4. Bronze Globe Valves:
 - a. **Class 125**
 - b. **Bronze** disc.
- B. Pipe NPS 2-1/2 and Larger:
1. Iron Valves, NPS 2-1/2 to NPS 4: May be provided with threaded ends instead of flanged ends.
 2. **Iron Swing Check Valves: Class 125**, metal seats.
 3. **Iron Globe Valves: NPS 2-1/2 to NPS 12: Class 125.**
 4. **Lubricated Plug Valves: Class 125, regular gland, flanged.**

END OF SECTION

SECTION 23 05 29 - HANGERS AND SUPPORTS FOR HVAC PIPING AND EQUIPMENT

PART 1 - GENERAL

1.1 RELATED DOCUMENTS

- A. Drawings and general provisions of the Contract, including General and Supplementary Conditions and Division 01 Specification Sections, apply to this Section.

1.2 SUMMARY

A. Section Includes:

1. Metal pipe hangers and supports.
2. Trapeze pipe hangers.
3. Metal framing systems.

B. Related Sections:

1. **Division 05** for structural-steel shapes and plates for trapeze hangers for pipe and equipment supports.
2. Section 230516 "Expansion Fittings and Loops for HVAC Piping" for pipe guides and anchors.
3. Section 230548 "Vibration and Seismic Controls for HVAC" for vibration isolation devices.
4. Section 233113 "Metal Ducts" for duct hangers and supports.

1.3 DEFINITIONS

- A. MSS: Manufacturers Standardization Society of The Valve and Fittings Industry Inc.

1.4 PERFORMANCE REQUIREMENTS

- A. Structural Performance: Hangers and supports for HVAC piping and equipment shall withstand the effects of gravity loads and stresses within limits and under conditions indicated according to **ASCE/SEI 7**.
 1. Design supports for multiple pipes, including pipe stands, capable of supporting combined weight of supported systems, system contents, and test water.
 2. Design equipment supports capable of supporting combined operating weight of supported equipment and connected systems and components.

1.5 ACTION SUBMITTALS

- A. Product Data: For each type of product indicated.

- B. Shop Drawings: **Signed and sealed by a qualified professional engineer.** Show fabrication and installation details and include calculations for the following; include Product Data for components:
1. Trapeze pipe hangers.
 2. Metal framing systems.

1.6 INFORMATIONAL SUBMITTALS

- A. Welding certificates.

PART 2 - PRODUCTS

2.1 METAL PIPE HANGERS AND SUPPORTS

- A. Carbon-Steel Pipe Hangers and Supports:
1. Description: MSS SP-58, Types 1 through 58, factory-fabricated components.
 2. Galvanized Metallic Coatings: Pregalvanized or hot dipped.
 3. Nonmetallic Coatings: Plastic coating, jacket, or liner.
 4. Padded Hangers: Hanger with fiberglass or other pipe insulation pad or cushion to support bearing surface of piping.
 5. Hanger Rods: Continuous-thread rod, nuts, and washer made of **carbon steel**.

2.2 TRAPEZE PIPE HANGERS

- A. Description: MSS SP-69, Type 59, shop- or field-fabricated pipe-support assembly made from structural carbon-steel shapes with MSS SP-58 carbon-steel hanger rods, nuts, saddles, and U-bolts.

2.3 METAL FRAMING SYSTEMS

- A. MFMA Manufacturer Metal Framing Systems:
1. Manufacturers: Subject to compliance with requirements, provide products by one of the following:
 - a. Anvil International.
 - b. Cooper B-Line, Inc.; a division of Cooper Industries.
 - c. ERICO/Michigan Hanger Co. ; ERISTRUT Div.
 - d. FNW/Ferguson Enterprises
 - e. GS Metals Corp.
 - f. Hilti, Inc.insert manufacturer's name.
 - g. Power-Strut Div. Tyco International.
 - h. Thomas & Betts Corporation.
 - i. Tolco Inc.
 - j. Unistrut; an Atkore International company.

2. Description: Shop- or field-fabricated pipe-support assembly for supporting multiple parallel pipes.
3. Standard: MFMA-4.
4. Channels: Continuous slotted steel channel with inturned lips.
5. Channel Nuts: Formed or stamped steel nuts or other devices designed to fit into channel slot and, when tightened, prevent slipping along channel.
6. Hanger Rods: Continuous-thread rod, nuts, and washer made of **carbon steel**.
7. Metallic Coating:
 - a. **Electroplated zinc.**

B. Non-MFMA Manufacturer Metal Framing Systems:

1. Manufacturers: Subject to compliance with requirements, provide products by one of the following:
 - a. Anvil International; a subsidiary of Mueller Water Products, Inc.
 - b. Empire Industries, Inc.
 - c. ERICO International Corporation.
 - d. FNW/Ferguson Enterprises
 - e. Haydon Corporation.
 - f. NIBCO INC.
 - g. PHD Manufacturing, Inc.
 - h. PHS Industries, Inc.
2. Description: Shop- or field-fabricated pipe-support assembly made of steel channels, accessories, fittings, and other components for supporting multiple parallel pipes.
3. Standard: Comply with MFMA-4.
4. Channels: Continuous slotted steel channel with inturned lips.
5. Channel Nuts: Formed or stamped steel nuts or other devices designed to fit into channel slot and, when tightened, prevent slipping along channel.
6. Hanger Rods: Continuous-thread rod, nuts, and washer made of **carbon steel**.
7. Coating:
 - a. **Zinc.**

2.4 THERMAL-HANGER SHIELD INSERTS

- A. Manufacturers: Subject to compliance with requirements, provide products by one of the following:
1. Carpenter & Paterson, Inc.
 2. Clement Support Services.
 3. ERICO International Corporation.
 4. National Pipe Hanger Corporation.
 5. PHS Industries, Inc.
 6. Pipe Shields Inc.
 7. Piping Technology & Products, Inc.
 8. Rilco Manufacturing Co., Inc.

9. Value Engineered Products, Inc.
 - B. Insulation-Insert Material for Cold Piping:
 1. **Water-repellent treated, ASTM C 533, Type I calcium silicate with 100-psig** minimum compressive strength.
 - C. Insulation-Insert Material for Hot Piping:
 1. **Water-repellent treated, ASTM C 533, Type I calcium silicate with 100-psig** minimum compressive strength.
 - D. For Trapeze or Clamped Systems: Insert and shield shall cover entire circumference of pipe.
 - E. For Clevis or Band Hangers: Insert and shield shall cover lower 180 degrees of pipe.
 - F. Insert Length: Extend 2 inches beyond sheet metal shield for piping operating below ambient air temperature.
- 2.5 MISCELLANEOUS MATERIALS
- A. Structural Steel: ASTM A 36, carbon-steel plates, shapes, and bars; black and galvanized.
 - B. Grout: ASTM C 1107, factory-mixed and -packaged, dry, hydraulic-cement, nonshrink and nonmetallic grout; suitable for interior and exterior applications.
 1. Properties: Nonstaining, noncorrosive, and nongaseous.
 2. Design Mix: **5000-psi**, 28-day compressive strength.

PART 3 - EXECUTION

3.1 HANGER AND SUPPORT INSTALLATION

- A. Comply with SEI/ASCE 7 and with requirements for seismic-restraint devices in Section 230548 "Vibration and Seismic Controls for HVAC."
- B. Metal Pipe-Hanger Installation: Comply with MSS SP-69 and MSS SP-89. Install hangers, supports, clamps, and attachments as required to properly support piping from the building structure.
- C. Metal Trapeze Pipe-Hanger Installation: Comply with MSS SP-69 and MSS SP-89. Arrange for grouping of parallel runs of horizontal piping, and support together on field-fabricated trapeze pipe hangers.
 1. Pipes of Various Sizes: Support together and space trapezes for smallest pipe size or install intermediate supports for smaller diameter pipes as specified for individual pipe hangers.
 2. Field fabricate from ASTM A 36, carbon-steel shapes selected for loads being supported. Weld steel according to AWS D1.1.

- D. Metal Framing System Installation: Arrange for grouping of parallel runs of piping, and support together on field-assembled metal framing systems.
- E. Install hangers and supports complete with necessary attachments, inserts, bolts, rods, nuts, washers, and other accessories.
- F. Install hangers and supports to allow controlled thermal and seismic movement of piping systems, to permit freedom of movement between pipe anchors, and to facilitate action of expansion joints, expansion loops, expansion bends, and similar units.
- G. Install lateral bracing with pipe hangers and supports to prevent swaying.
- H. Install building attachments within concrete slabs or attach to structural steel. Install additional attachments at concentrated loads, including valves, flanges, and strainers, **NPS 2-1/2** and larger and at changes in direction of piping. Install concrete inserts before concrete is placed; fasten inserts to forms and install reinforcing bars through openings at top of inserts.
- I. Load Distribution: Install hangers and supports so that piping live and dead loads and stresses from movement will not be transmitted to connected equipment.
- J. Pipe Slopes: Install hangers and supports to provide indicated pipe slopes and to not exceed maximum pipe deflections allowed by ASME B31.9 for building services piping.
- K. Insulated Piping:
 - 1. Attach clamps and spacers to piping.
 - a. Piping Operating **above** Ambient Air Temperature: Clamp may project through insulation.
 - b. Piping Operating **below** Ambient Air Temperature: Use thermal-hanger shield insert with clamp sized to match OD of insert.
 - c. Do not exceed pipe stress limits allowed by ASME B31.9 for building services piping.
 - 2. Install MSS SP-58, Type 39, protection saddles if insulation without vapor barrier is indicated. Fill interior voids with insulation that matches adjoining insulation.
 - a. Option: Thermal-hanger shield inserts may be used. Include steel weight-distribution plate for pipe NPS 4 and larger if pipe is installed on rollers.
 - 3. Install MSS SP-58, Type 40, protective shields on cold piping with vapor barrier. Shields shall span an arc of 180 degrees.
 - a. Option: Thermal-hanger shield inserts may be used. Include steel weight-distribution plate for pipe NPS 4 and larger if pipe is installed on rollers.
 - 4. Shield Dimensions for Pipe: Not less than the following:
 - a. NPS 1/4 to NPS 3-1/2: 12 inches long and 0.048 inch thick.
 - b. NPS 4: 12 inches long and 0.06 inch thick.
 - c. NPS 5 and NPS 6: 18 inches long and 0.06 inch thick.
 - d. NPS 8 to NPS 14: 24 inches long and 0.075 inch thick.

- e. NPS 16 to NPS 24: 24 inches long and 0.105 inch thick.
- 5. Pipes NPS 8 and Larger: Include wood or reinforced calcium-silicate-insulation inserts of length at least as long as protective shield.
- 6. Thermal-Hanger Shields: Install with insulation same thickness as piping insulation.

3.2 METAL FABRICATIONS

- A. Cut, drill, and fit miscellaneous metal fabrications for **trapeze pipe hangers**.
- B. Fit exposed connections together to form hairline joints. Field weld connections that cannot be shop welded because of shipping size limitations.
- C. Field Welding: Comply with AWS D1.1/D1.1M procedures for shielded, metal arc welding; appearance and quality of welds; and methods used in correcting welding work; and with the following:
 - 1. Use materials and methods that minimize distortion and develop strength and corrosion resistance of base metals.
 - 2. Obtain fusion without undercut or overlap.
 - 3. Remove welding flux immediately.
 - 4. Finish welds at exposed connections so no roughness shows after finishing and so contours of welded surfaces match adjacent contours.

3.3 ADJUSTING

- A. Hanger Adjustments: Adjust hangers to distribute loads equally on attachments and to achieve indicated slope of pipe.
- B. Trim excess length of continuous-thread hanger and support rods to **1-1/2 inches**.

3.4 PAINTING

- A. Touchup: Cleaning and touchup painting of field welds, bolted connections, and abraded areas of shop paint on miscellaneous metal are specified in **Division 09**.
- B. Galvanized Surfaces: Clean welds, bolted connections, and abraded areas and apply galvanizing-repair paint to comply with ASTM A 780.

3.5 HANGER AND SUPPORT SCHEDULE

- A. Specific hanger and support requirements are in Sections specifying piping systems and equipment.
- B. Comply with MSS SP-69 for pipe-hanger selections and applications that are not specified in piping system Sections.

- C. Use hangers and supports with galvanized metallic coatings for piping and equipment that will not have field-applied finish.
- D. Use nonmetallic coatings on attachments for electrolytic protection where attachments are in direct contact with copper tubing.
- E. Use carbon-steel **pipe hangers and supports** and attachments for general service applications.
- F. Use padded hangers for piping that is subject to scratching.
- G. Use thermal-hanger shield inserts for insulated piping and tubing.
- H. Horizontal-Piping Hangers and Supports: Unless otherwise indicated and except as specified in piping system Sections, install the following types:
 - 1. Adjustable, Steel Clevis Hangers (MSS Type 1): For suspension of noninsulated or insulated, stationary pipes **NPS 1/2 to NPS 30**.
 - 2. Yoke-Type Pipe Clamps (MSS Type 2): For suspension of up to 1050 deg F, pipes **NPS 4 to NPS 24**, requiring up to **4 inches** of insulation.
 - 3. Carbon- or Alloy-Steel, Double-Bolt Pipe Clamps (MSS Type 3): For suspension of pipes **NPS 3/4 to NPS 36**, requiring clamp flexibility and up to **4 inches** of insulation.
 - 4. Steel Pipe Clamps (MSS Type 4): For suspension of cold and hot pipes **NPS 1/2 to NPS 24** if little or no insulation is required.
 - 5. Pipe Hangers (MSS Type 5): For suspension of pipes **NPS 1/2 to NPS 4**, to allow off-center closure for hanger installation before pipe erection.
 - 6. Adjustable, Swivel Split- or Solid-Ring Hangers (MSS Type 6): For suspension of noninsulated, stationary pipes **NPS 3/4 to NPS 8**.
 - 7. Adjustable, Steel Band Hangers (MSS Type 7): For suspension of noninsulated, stationary pipes **NPS 1/2 to NPS 8**.
 - 8. Adjustable Band Hangers (MSS Type 9): For suspension of noninsulated, stationary pipes **NPS 1/2 to NPS 8**.
 - 9. Adjustable, Swivel-Ring Band Hangers (MSS Type 10): For suspension of noninsulated, stationary pipes **NPS 1/2 to NPS 8**.
 - 10. Split Pipe Ring with or without Turnbuckle Hangers (MSS Type 11): For suspension of noninsulated, stationary pipes **NPS 3/8 to NPS 8**.
 - 11. Extension Hinged or Two-Bolt Split Pipe Clamps (MSS Type 12): For suspension of noninsulated, stationary pipes **NPS 3/8 to NPS 3**.
 - 12. U-Bolts (MSS Type 24): For support of heavy pipes **NPS 1/2 to NPS 30**.
 - 13. Clips (MSS Type 26): For support of insulated pipes not subject to expansion or contraction.
 - 14. Pipe Saddle Supports (MSS Type 36): For support of pipes **NPS 4 to NPS 36**, with steel-pipe base stanchion support and cast-iron floor flange or carbon-steel plate.
 - 15. Pipe Stanchion Saddles (MSS Type 37): For support of pipes **NPS 4 to NPS 36**, with steel-pipe base stanchion support and cast-iron floor flange or carbon-steel plate, and with U-bolt to retain pipe.
 - 16. Adjustable Pipe Saddle Supports (MSS Type 38): For stanchion-type support for pipes **NPS 2-1/2 to NPS 36** if vertical adjustment is required, with steel-pipe base stanchion support and cast-iron floor flange.

17. Single-Pipe Rolls (MSS Type 41): For suspension of pipes **NPS 1 to NPS 30**, from two rods if longitudinal movement caused by expansion and contraction might occur.
 18. Adjustable Roller Hangers (MSS Type 43): For suspension of pipes **NPS 2-1/2 to NPS 24**, from single rod if horizontal movement caused by expansion and contraction might occur.
 19. Complete Pipe Rolls (MSS Type 44): For support of pipes **NPS 2 to NPS 42** if longitudinal movement caused by expansion and contraction might occur but vertical adjustment is not necessary.
 20. Pipe Roll and Plate Units (MSS Type 45): For support of pipes **NPS 2 to NPS 24** if small horizontal movement caused by expansion and contraction might occur and vertical adjustment is not necessary.
 21. Adjustable Pipe Roll and Base Units (MSS Type 46): For support of pipes **NPS 2 to NPS 30** if vertical and lateral adjustment during installation might be required in addition to expansion and contraction.
- I. Vertical-Piping Clamps: Unless otherwise indicated and except as specified in piping system Sections, install the following types:
1. Extension Pipe or Riser Clamps (MSS Type 8): For support of pipe risers **NPS 3/4 to NPS 24**.
 2. Carbon- or Alloy-Steel Riser Clamps (MSS Type 42): For support of pipe risers **NPS 3/4 to NPS 24** if longer ends are required for riser clamps.
- J. Hanger-Rod Attachments: Unless otherwise indicated and except as specified in piping system Sections, install the following types:
1. Steel Turnbuckles (MSS Type 13): For adjustment up to 6 inches for heavy loads.
 2. Steel Clevises (MSS Type 14): For 120 to 450 deg F piping installations.
 3. Swivel Turnbuckles (MSS Type 15): For use with MSS Type 11, split pipe rings.
 4. Malleable-Iron Sockets (MSS Type 16): For attaching hanger rods to various types of building attachments.
 5. Steel Weldless Eye Nuts (MSS Type 17): For 120 to 450 deg F piping installations.
- K. Building Attachments: Unless otherwise indicated and except as specified in piping system Sections, install the following types:
1. Steel or Malleable Concrete Inserts (MSS Type 18): For upper attachment to suspend pipe hangers from concrete ceiling.
 2. Top-Beam C-Clamps (MSS Type 19): For use under roof installations with bar-joint construction, to attach to top flange of structural shape.
 3. Side-Beam or Channel Clamps (MSS Type 20): For attaching to bottom flange of beams, channels, or angles.
 4. Center-Beam Clamps (MSS Type 21): For attaching to center of bottom flange of beams.
 5. Welded Beam Attachments (MSS Type 22): For attaching to bottom of beams if loads are considerable and rod sizes are large.
 6. C-Clamps (MSS Type 23): For structural shapes.
 7. Top-Beam Clamps (MSS Type 25): For top of beams if hanger rod is required tangent to flange edge.
 8. Side-Beam Clamps (MSS Type 27): For bottom of steel I-beams.

9. Steel-Beam Clamps with Eye Nuts (MSS Type 28): For attaching to bottom of steel I-beams for heavy loads.
 10. Linked-Steel Clamps with Eye Nuts (MSS Type 29): For attaching to bottom of steel I-beams for heavy loads, with link extensions.
 11. Malleable-Beam Clamps with Extension Pieces (MSS Type 30): For attaching to structural steel.
 12. Welded-Steel Brackets: For support of pipes from below or for suspending from above by using clip and rod. Use one of the following for indicated loads:
 - a. Light (MSS Type 31): **750 lb.**
 - b. Medium (MSS Type 32): **1500 lb.**
 - c. Heavy (MSS Type 33): **3000 lb.**
 13. Side-Beam Brackets (MSS Type 34): For sides of steel or wooden beams.
 14. Plate Lugs (MSS Type 57): For attaching to steel beams if flexibility at beam is required.
 15. Horizontal Travelers (MSS Type 58): For supporting piping systems subject to linear horizontal movement where headroom is limited.
- L. Saddles and Shields: Unless otherwise indicated and except as specified in piping system Sections, install the following types:
1. Steel-Pipe-Covering Protection Saddles (MSS Type 39): To fill interior voids with insulation that matches adjoining insulation.
 2. Protection Shields (MSS Type 40): Of length recommended in writing by manufacturer to prevent crushing insulation.
 3. Thermal-Hanger Shield Inserts: For supporting insulated pipe.
- M. Spring Hangers and Supports: Unless otherwise indicated and except as specified in piping system Sections, install the following types:
1. Restraint-Control Devices (MSS Type 47): Where indicated to control piping movement.
 2. Spring Cushions (MSS Type 48): For light loads if vertical movement does not exceed **1-1/4 inches**.
 3. Spring-Cushion Roll Hangers (MSS Type 49): For equipping Type 41, roll hanger with springs.
 4. Spring Sway Braces (MSS Type 50): To retard sway, shock, vibration, or thermal expansion in piping systems.
 5. Variable-Spring Hangers (MSS Type 51): Preset to indicated load and limit variability factor to **25 percent** to allow expansion and contraction of piping system from hanger.
 6. Variable-Spring Base Supports (MSS Type 52): Preset to indicated load and limit variability factor to **25 percent** to allow expansion and contraction of piping system from base support.
 7. Variable-Spring Trapeze Hangers (MSS Type 53): Preset to indicated load and limit variability factor to **25 percent** to allow expansion and contraction of piping system from trapeze support.
 8. Constant Supports: For critical piping stress and if necessary to avoid transfer of stress from one support to another support, critical terminal, or connected

equipment. Include auxiliary stops for erection, hydrostatic test, and load-adjustment capability. These supports include the following types:

- a. Horizontal (MSS Type 54): Mounted horizontally.
 - b. Vertical (MSS Type 55): Mounted vertically.
 - c. Trapeze (MSS Type 56): Two vertical-type supports and one trapeze member.
- N. Comply with MSS SP-69 for trapeze pipe-hanger selections and applications that are not specified in piping system Sections.
- O. Comply with MFMA-103 for metal framing system selections and applications that are not specified in piping system Sections.
- P. Use **powder-actuated fasteners** instead of building attachments where required in concrete construction.

END OF SECTION

SECTION 23 05 48 - VIBRATION AND SEISMIC CONTROLS FOR HVAC

PART 1 - GENERAL

1.1 RELATED DOCUMENTS

- A. Drawings and general provisions of the Contract, including General and Supplementary Conditions and Division 01 Specification Sections, apply to this Section.

1.2 SCOPE

- A. Provide engineered vibration isolation and restraint systems in accordance with the requirements of this section including design, engineering, materials, testing, inspections and reports.
- B. Mechanical equipment with moving parts shall be mounted on or suspended from vibration isolators to reduce the transmission of vibration and mechanically transmitted sound to the building structure.
- C. All mechanical equipment, piping and ductwork shall be restrained as required by Federal, State and Local building codes to preserve the integrity of nonstructural building components during **seismic** events to minimize hazards to occupants and reduce property damage.

1.3 SUMMARY

- A. This Section includes the following:
 - 1. Elastomeric isolation pads.
 - 2. Elastomeric isolation mounts.
 - 3. Restrained elastomeric isolation mounts.
 - 4. Open-spring isolators.
 - 5. Housed-spring isolators.
 - 6. Restrained-spring isolators.
 - 7. Housed-restrained-spring isolators.
 - 8. Pipe-riser resilient supports.
 - 9. Resilient pipe guides.
 - 10. Air-spring isolators.
 - 11. Restrained-air-spring isolators.
 - 12. Elastomeric hangers.
 - 13. Spring hangers.
 - 14. Snubbers.
 - 15. Restraint channel bracings.
 - 16. Restraint cables.
 - 17. Seismic-restraint accessories.
 - 18. Mechanical anchor bolts.
 - 19. Adhesive anchor bolts.
 - 20. Vibration isolation equipment bases.

21. Restrained isolation roof-curb rails.
22. Certification of **seismic** restraint designs.
23. Installation supervision.
24. Design of attachment of housekeeping pads.
25. All components requiring IBC compliance and certification.
26. All inspection and test procedures for components requiring IBC compliance.
27. Restraint of all mechanical equipment, pipe and ductwork, within, on, or outdoors of the building and entry of services to the building, up to but not including, the utility connection, is part of this Specification.
28. Seismic certification of equipment

B. Related Requirements:

1. Section 210548 "Vibration and Seismic Controls for Fire-Suppression Piping and Equipment" for devices for fire-suppression equipment and systems.
2. Section 220548 "Vibration and Seismic Controls for Plumbing Piping and Equipment" for devices for plumbing equipment and systems.

1.4 DEFINITIONS

A. IBC: International Building Code.

B. ICC-ES: ICC-Evaluation Service.

C. ASCE: American Society of Civil Engineers

D. OSHPD: Office of Statewide Health Planning and Development for the State of California.

E. Ip: Importance Factor.

F. ESSENTIAL FACILITIES, (Occupancy Category IV, IBC-2018)

1. Buildings and other structures that are intended to remain operational in the event of extreme environmental loading from flood, wind, snow or earthquakes.

G. LIFE SAFETY

1. All systems involved with fire protection, including sprinkler piping, jockey pumps, fire pumps, control panels, service water supply piping, water tanks, fire dampers, smoke exhaust systems and fire alarm panels.
2. All mechanical, electrical, plumbing or fire protection systems that support the operation of, or are connected to, emergency power equipment, including all lighting, generators, transfer switches and transformers.
3. All medical and life support systems.
4. Hospital heating systems and air conditioning systems for maintaining normal ambient temperature.

5. Automated supply, exhaust, fresh air and relief air systems on emergency control sequence, including air handlers, duct, dampers, etc., or manually-operated systems used for smoke evacuation, purge or fresh air relief by the fire department.
6. Heating systems in any facility with Occupancy Category IV, IBC-2009 where the ambient temperature can fall below 32 degrees Fahrenheit.

H. HIGH HAZARD

1. All gases or fluids that must be contained in a closed system which are flammable or combustible. Any gas that poses a health hazard if released into the environment and vented Fuel Cells.

1.5 REFERENCE CODES AND STANDARDS

- A. Codes and Standards: The following shall apply and conform to good engineering practices unless otherwise directed by the Federal, State or Local authorities having jurisdiction.

1. IBC
2. ASCE 7
3. NFPA 13 (National Fire Protection Association)
4. IBC 2018 replaces all references to IBC 2006, 2009, 2012.

- B. The following guides may be used for supplemental information on typical seismic installation practices. Where a conflict exists between the guides and these construction documents, the construction documents will preside.

1. FEMA (Federal Emergency Management Agency) manuals 412, Installing Seismic Restraints for Mechanical Equipment and 414, Installing Seismic Restraints for Ductwork and Pipe.
2. SMACNA (Sheet Metal and Air-conditioning Contractors' National Association) Seismic Restraint Manual Guidelines for Mechanical Systems, 3rd ed.
3. ASHRAE (American Society for Heating, Refrigerating and Air-conditioning Engineers) A Practical Guide to Seismic Restraint
4. MSS (Manufacturers Standardization Society of the Valve and Fittings Industry) MSS SP-127, Bracing for Piping Systems, Seismic – Wind – Dynamic, Design, Selection, Application.

1.6 ISOLATOR AND RESTRAINT MANUFACTURER'S RESPONSIBILITIES:

- A. Provide project specific vibration isolation and seismic restraint design prepared by a registered design professional in the state were the project is being constructed, and manufacturer certifications that the components are seismically qualified.

1. Provide calculations to determine restraint loads resulting from seismic forces as required by IBC, Chapter 16 and ASCE 7, latest editions. Seismic calculations shall

be certified by an engineer licensed in the state where the project is being constructed.

- B. Provide installation instructions and shop drawings for all materials supplied under this section of the specifications.
 - 1. Provide seismic restraint details with specific information relating to the materials, type, size, and locations of anchorages; materials used for bracing; attachment requirements of bracing to structure and component; and locations of transverse and longitudinal sway bracing and rod stiffeners.
 - 2. Provide seismic bracing layout drawings indicating the location of all seismic restraints.
 - a. Each piece of rotating isolated equipment shall be tagged to clearly identify quantity and size of vibration isolators and seismic restraints.
- C. Provide, in writing, the special inspection requirements for all Designated Seismic Systems as indicated in Chapter 17 of the IBC.
- D. Provide training for installation, operation and maintenance of isolation and restraint systems.

1.7 PERFORMANCE REQUIREMENTS

- A. Flood-Restraint Loading: Per the structural drawings and specifications.
- B. Seismic-Restraint Loading:
 - 1. Site Class as Defined in the IBC: Per the structural drawings and specifications.
 - 2. Assigned Occupancy Category as Defined in the IBC: Per the structural drawings and specifications.
 - a. Component Importance Factor: 1.5.
 - 1) Life safety components required to function after an earthquake.
 - 2) Components containing hazardous or flammable materials in quantities that exceed the exempted amounts for an open system listed in Chapter 4.
 - 3) For structures with an Occupancy Category IV, components needed for continued operation of the facility or whose failure could impair the continued operation of the facility.
 - 4) Storage racks in occupancies open to the general public (e.g., warehouse retail stores).
 - b. Component Importance Factor: 1.0.
 - 1) All other components
 - c. Component Response Modification Factor: Per the structural drawings and specifications.
 - d. Component Amplification Factor: Per the structural drawings and specifications.
 - 3. Design Spectral Response Acceleration at Short Periods: Per the structural drawings and specifications.

4. Design Spectral Response Acceleration at 1-Second Period: Per the structural drawings and specifications.

1.8 ACTION SUBMITTALS

A. Product Data: For the following:

1. Submittals shall include catalog cut sheets and installation instructions for each type of anchor and seismic restraint used on equipment or components being isolated and/or restrained.
2. Submittals for mountings and hangers incorporating springs shall include spring diameter and free height, rated load, rated deflection, and overload capacity for each vibration isolation device.
3. Illustrate and indicate style, material, strength, fastening provision, and finish for each type and size of seismic-restraint component used.
 - a. Tabulate types and sizes of seismic restraints, complete with report numbers and rated strength in tension and shear as evaluated by an **evaluation service member of ICC-ES**.
 - b. Annotate to indicate application of each product submitted and compliance with requirements.
4. Interlocking Snubbers: Include ratings for horizontal, vertical, and combined loads.

B. Shop Drawings:

1. Detail fabrication and assembly of equipment bases. Detail fabrication including anchorages and attachments to structure and to supported equipment. Include adjustable motor bases, rails, and frames for equipment mounting.

C. Delegated-Design Submittal: For vibration isolation and seismic-restraint details indicated to comply with performance requirements and design criteria, including analysis data signed and sealed by the qualified professional engineer responsible for their preparation.

1. "Basis for Design" report: Statement from the registered design professional that the design complies with the requirements of the ASCE 7-10 Chapter 13, IBC 2018 chapter 1908 and ACI 318. In addition, the basis for compliance must also be noted, as listed below:
 - a. Project specific design documentation prepared and submitted by a registered design professional (ASCE 7, 13.2.1.1)
 - b. Submittal of the manufacturer's certification that the isolation equipment is seismically qualified by:
 - c. An engineered analysis conforming to the requirements of Chapter 13 of ASCE 7.
 - d. Testing by a nationally recognized testing standard procedure such as ICC-ES AC 156. The substantiated seismic design capacities shall exceed the seismic demands determined by Section 13.3 of ASCE 7.

- e. Experience data conforming to a nationally recognized procedure. The substantiated seismic design capacities shall exceed the seismic demands determined by Section 13.3 of ASCE 7.
2. Seismic restraint load ratings must be certified and substantiated by testing or calculations under direct control of a registered professional engineer. Copies of testing and calculations must be submitted as part of submittal documents. OSHPD pre-approved restraint systems are exempt from this requirement if their pre-approval is current and based upon the IBC 2009 (i.e. OPA-07 pre-approval numbers).
3. Include design calculations and details for selecting vibration isolators, seismic restraints, and vibration isolation bases complying with performance requirements, design criteria, and analysis data signed and sealed by the qualified professional engineer responsible for their preparation.
4. Design Calculations: Calculate static and dynamic loading due to equipment weight and operation, **seismic** forces required to select vibration isolators, **seismic** restraints, and for designing vibration isolation bases.
 - a. Coordinate design calculations with wind load calculations required for equipment mounted outdoors. Comply with requirements in other Division 23 Sections for equipment mounted outdoors.
5. Riser Supports: Include riser diagrams and calculations showing anticipated expansion and contraction at each support point, initial and final loads on building structure, spring deflection changes, and seismic loads. Include certification that riser system has been examined for excessive stress and that none will exist.
6. Vibration Isolation Base Details: Detail overall dimensions, including anchorages and attachments to structure and to supported equipment. Include auxiliary motor slides and rails, base weights, equipment static loads, power transmission, component misalignment, and cantilever loads.
7. **Seismic**-Restraint Details:
 - a. Design Analysis: To support selection and arrangement of **seismic** restraints. Include calculations of combined tensile and shear loads.
 - b. Details: Indicate fabrication and arrangement. Detail attachments of restraints to the restrained items and to the structure. Show attachment locations, methods, and spacings. Identify components, list their strengths, and indicate directions and values of forces transmitted to the structure during seismic events. Indicate association with vibration isolation devices.
 - c. Preapproval and Evaluation Documentation: By **an evaluation service member of ICC-ES**, showing maximum ratings of restraint items and the basis for approval (tests or calculations).

1.9 INFORMATIONAL SUBMITTALS

- A. Coordination Drawings: Show coordination of seismic bracing for HVAC piping and equipment with other systems and equipment in the vicinity, including other supports and seismic restraints.
 - 1. Submittal drawings and calculations must be stamped by a registered professional engineer in the State where the project is being constructed who is responsible for the seismic restraint design.
 - 2. Calculations and restraint device submittal drawings shall specify anchor bolt type, embedment, concrete compressive strength, minimum spacing between anchors, and minimum distances of anchors from concrete edges. Concrete anchor locations shall not be near edges, stress joints, or an existing fracture. All bolts shall be ASTM A307 or better.
- B. Qualification Data: For professional engineer and testing agency.
- C. Welding certificates.
- D. Field quality-control test reports.

1.10 QUALITY ASSURANCE

- A. Testing Agency Qualifications: An independent agency, with the experience and capability to conduct the testing indicated, that is a nationally recognized testing laboratory (NRTL) as defined by OSHA in 29 CFR 1910.7, and that is acceptable to authorities having jurisdiction.
- B. Comply with seismic-restraint requirements in the IBC unless requirements in this Section are more stringent.
- C. Welding: Qualify procedures and personnel according to AWS D1.1/D1.1M, "Structural Welding Code - Steel."
- D. Seismic-restraint devices shall have horizontal and vertical load testing and analysis and shall bear anchorage preapproval OPA number from OSHPD, preapproval by ICC-ES, or preapproval by another agency acceptable to authorities having jurisdiction, showing maximum seismic-restraint ratings. Ratings based on independent testing are preferred to ratings based on calculations. If preapproved ratings are not available, submittals based on independent testing are preferred. Calculations (including combining shear and tensile loads) to support seismic-restraint designs must be signed and sealed by a qualified professional engineer.

1.11 SEISMIC CERTIFICATION OF EQUIPMENT

- A. Component Importance Factor. All plumbing and mechanical components shall be assigned a component importance factor. The component importance factor, I_p , shall be taken as 1.5 if any of the following conditions apply:

1. The component is required to function for life-safety purposes after an earthquake.
 2. The component contains hazardous materials.
 3. The component is in or attached to an Occupancy Category IV structure and it is needed for continued operation of the facility or its failure could impair the continued operation of the facility.
- B. All other components shall be assigned a component importance factor, I_p , equal to 1.0.
- C. For equipment or components where $I_p = 1.0$.
1. Submit manufacturer's certification that the equipment is seismically qualified by:
 - a. An engineered analysis conforming to the requirements of Chapter 13 of ASCE 7.
 - b. Testing by a nationally recognized testing standard procedure such as ICC-ES AC 156. The substantiated seismic design capacities shall exceed the seismic demands determined by Section 13.3 of ASCE 7.
 - c. Experience data conforming to a nationally recognized procedure. The substantiated seismic design capacities shall exceed the seismic demands determined by Section 13.3 of ASCE 7.
 2. The equipment and components listed below are considered rugged and shall not require Special Seismic Certification:
 - a. Valves (not in cast-iron housings, except for ductile cast iron).
 - b. Pneumatic operators.
 - c. Hydraulic operators.
 - d. Motors and motor operators.
 - e. Horizontal and vertical pumps (including vacuum pumps).
 - f. Air compressors
 - g. Refrigerators and freezers.
 - h. Elevator cabs.
 - i. Underground tanks.
 - j. Equipment and components weighing not more than 20 lbs. supported directly on structures (and not mounted on other equipment or components) with supports and attachments in accordance with Chapter 13, ASCE 7.
 3. Rugged equipment and components in this section are for factory assembled discrete equipment and components only and do not apply to site assembled or field assembled equipment or equipment anchorage. The list is based in part on OSHPD Code Application Notice 2-1708A.5.
- D. Special Certification requirements for Designated Seismic Systems (i.e. $I_p = 1.5$): Seismic Certificates of Compliance supplied by manufacturers shall be submitted for all components that are part of Designated Seismic Systems. In accordance with the ASCE 7, certification shall be via one of the following methods:

1. For active mechanical and electrical equipment that must remain operable following the design earthquake:
 - a. Testing as detailed by part C.1.b above.
 - b. Experience data as detailed by part C.1.c above.
 - c. Equipment that is considered "rugged" per part C.2 above.
2. Components with hazardous contents shall be certified by the manufacturer as maintaining containment following the design earthquake by:
 - a. Testing as detailed by part C.1.b above.
 - b. Experience data as detailed by part C.1.c above.
 - c. Engineering analysis utilizing dynamic characteristics and forces. Tanks (without vibration isolators) designed by a registered design professional in accordance with ASME Boiler and Pressure Vessel Code, and satisfying the force and displacement requirements of Sections 13.3.1 and 13.3.2 of ASCE 7 having an importance factor, $I_p = 1.0$ shall be considered to satisfy the Special Seismic Certification requirements on the basis of ASCE 7 Section 13.6.9.

PART 2 - PRODUCTS

2.1 VIBRATION ISOLATORS

- A. Manufacturers: Subject to compliance with requirements, provide products by one of the following:
 1. Amber/Booth Company, Inc.
 2. CalDyn (California Dynamics Corporation).
 3. ISAT (International Seismic Application Technology).
 4. Kinetics Noise Control.
 5. Mason Industries.
 6. Vibro-Acoustics
 7. VMC (Vibration Mountings & Controls, Inc.)
- B. Elastomeric Isolation Pads **P1**:
 1. Fabrication: Single or multiple layers of sufficient durometer stiffness for uniform loading over pad area.
 2. Size: Factory or field cut to match requirements of supported equipment.
 3. Pad Material: Oil and water resistant with elastomeric properties.
 4. Surface Pattern: **Ribbed** pattern.
 5. Load-bearing metal plates adhered to pads.
- C. Double-Deflection, Elastomeric Isolation Mounts **M1**:
 1. Mounting Plates:

- a. Top Plate: Encapsulated steel load transfer top plates, factory drilled and threaded, or with threaded studs or bolts.
 - b. Baseplate: Encapsulated steel bottom plates with holes provided for anchoring to support structure.
2. Elastomeric Material: Molded, oil-resistant rubber, neoprene, or other elastomeric material.
- D. Restrained Elastomeric Isolation Mounts **M2**:
1. Description: All-directional isolator with seismic restraints containing two separate and opposing elastomeric elements that prevent central threaded element and attachment hardware from contacting the housing during normal operation.
 - a. Housing: Cast-ductile iron or welded steel.
 - b. Elastomeric Material: Molded, oil-resistant rubber, neoprene, or other elastomeric material.
- E. Spring Isolators **S1**: Freestanding, laterally stable, open-spring isolators.
1. Outside Spring Diameter: Not less than 80 percent of the compressed height of the spring at rated load.
 2. Minimum Additional Travel: 50 percent of the required deflection at rated load.
 3. Lateral Stiffness: More than 80 percent of rated vertical stiffness.
 4. Overload Capacity: Support 200 percent of rated load, fully compressed, without deformation or failure.
 5. Baseplates: Factory drilled for bolting to structure and bonded to 1/4-inch-thick, rubber isolator pad attached to baseplate underside. Baseplates shall limit floor load to 500 psig.
 6. Top Plate and Adjustment Bolt: Threaded top plate with adjustment bolt and cap screw to fasten and level equipment.
- F. Restrained Spring Isolators **S2**: Freestanding, steel, open-spring isolators with seismic or limit-stop restraint.
1. Housing: Steel with resilient vertical-limit stops to prevent spring extension due to weight being removed; factory-drilled baseplate bonded to 1/4-inch-thick, neoprene or rubber isolator pad attached to baseplate underside; and adjustable equipment mounting and leveling bolt that acts as blocking during installation. Baseplates shall limit floor load to 500 psig.
 2. Restraint: Seismic or limit stop as required for equipment and authorities having jurisdiction.
 3. Outside Spring Diameter: Not less than 80 percent of the compressed height of the spring at rated load.
 4. Minimum Additional Travel: 50 percent of the required deflection at rated load.
 5. Lateral Stiffness: More than 80 percent of rated vertical stiffness.
 6. Overload Capacity: Support 200 percent of rated load, fully compressed, without deformation or failure.
- G. Housed Restrained Spring Isolators **S3**: Freestanding, Steel, Open-Spring Isolators with Vertical-Limit Stop Restraint in Two-Part Telescoping Housing:

1. Two-Part Telescoping Housing: A steel top and bottom frame separated by an elastomeric material and enclosing the spring isolators. Housings are equipped with **adjustable** snubbers to limit vertical movement.
 - a. Drilled base housing for bolting to structure with an elastomeric isolator pad attached to the underside. Bases shall limit floor load to 500 psig.
 - b. Threaded top housing with adjustment bolt and cap screw to fasten and level equipment.
 2. Outside Spring Diameter: Not less than 80 percent of the compressed height of the spring at rated load.
 3. Minimum Additional Travel: 50 percent of the required deflection at rated load.
 4. Lateral Stiffness: More than 80 percent of rated vertical stiffness.
 5. Overload Capacity: Support 200 percent of rated load, fully compressed, without deformation or failure.
 6. Elastomeric pad: For high frequency absorption at the base of the spring.
- H. Elastomeric Hangers **H1**:
1. Description: Elastomeric Mount in a Steel Frame with Upper and Lower Steel Hanger Rods
 - a. Frame: Steel, fabricated with a connection for an upper threaded hanger rod and an opening on the underside to allow for a maximum of 30 degrees of angular lower hanger-rod misalignment without binding or reducing isolation efficiency.
 - b. Dampening Element: Molded, oil-resistant rubber, neoprene, or other elastomeric material with a projecting bushing for the underside opening preventing steel to steel contact.
- I. Spring Hangers **H2**: Combination coil-spring and elastomeric-insert hanger with spring and insert in compression.
1. Description: Combination Coil-Spring and Elastomeric-Insert Hanger with spring and Insert in Compression.
 - a. Frame: Steel, fabricated for connection to threaded hanger rods and to allow for a maximum of 30 degrees of angular hanger-rod misalignment without binding or reducing isolation efficiency.
 - b. Outside Spring Diameter: Not less than 80 percent of the compressed height of the spring at rated load.
 - c. Minimum Additional Travel: 50 percent of the required deflection at rated load.
 - d. Lateral Stiffness: More than 80 percent of rated vertical stiffness.
 - e. Overload Capacity: Support 200 percent of rated load, fully compressed, without deformation or failure.
 - f. Elastomeric Element: Molded, oil-resistant rubber or neoprene. Steel-washer-reinforced cup to support spring and bushing projecting through bottom of frame.

- g. Self-centering hanger rod cap to ensure concentricity between hanger rod and support spring coil.
- J. Spring Hangers with Vertical-Limit Stop **H3**: Combination coil-spring and elastomeric-insert hanger with spring and insert in compression.
 - 1. Description: Combination Coil-Spring and Elastomeric-Insert Hanger with spring and insert in Compression and vertical limit stop.
 - a. Frame: Steel, fabricated for connection to threaded hanger rods and to allow for a maximum of 30 degrees of angular hanger-rod misalignment without binding or reducing isolation efficiency.
 - b. Outside Spring Diameter: Not less than 80 percent of the compressed height of the spring at rated load.
 - c. Minimum Additional Travel: 50 percent of the required deflection at rated load.
 - d. Lateral Stiffness: More than 80 percent of rated vertical stiffness.
 - e. Overload Capacity: Support 200 percent of rated load, fully compressed, without deformation or failure.
 - f. Elastomeric Element: Molded, oil-resistant rubber or neoprene. Steel-washer-reinforced cup to support spring and bushing projecting through bottom of frame.
 - g. Adjustable Vertical Stop: Steel washer with neoprene washer "up-stop" on lower threaded rod.
 - h. Self-centering hanger rod cap to ensure concentricity between hanger rod and support spring coil.
- K. Pipe Riser Resilient Support **R1**:
 - 1. Description: All-directional, acoustical pipe anchor consisting of 2 steel tubes separated by a minimum of 1/2-inch-thick neoprene.
 - a. Vertical-Limit Stops: Steel and neoprene vertical-limit stops arranged to prevent vertical travel in both directions.
 - b. Maximum Load Per Support: 500 psig on isolation material providing equal isolation in all directions.
- L. Resilient Pipe Guides **R2**:
 - 1. Description: Telescopic arrangement of two steel tubes or post and sleeve arrangement separated by a minimum 1/2-inch-thick neoprene.
 - a. Factory-Set Height Guide with Shear Pin: Shear pin shall be removable and reinsertable to allow for selection of pipe movement. Guides shall be capable of motion to meet location requirements.
- M. Horizontal Thrust Restraints **T1**: Modified specification S2 isolator.
 - 1. Horizontal thrust restraints shall consist of a modified specification S2 spring mounting. Restraint springs shall have the same deflection as the isolator springs.

2. The assembly shall be preset at the factory and fine tuned in the field to allow for a maximum of 1/4" movement from stop to maximum thrust.
3. The assemblies shall be furnished with rod and angle brackets for attachment to both the equipment and duct work or the equipment and the structure.
4. Restraints shall be attached at the center line of thrust and symmetrically on both sides of the unit.

2.2 RESTRAINED VIBRATION ISOLATION ROOF-CURB RAILS

- A. Manufacturers: Subject to compliance with requirements, provide products by one of the following:
 1. Amber/Booth Company, Inc.
 2. CalDyn (California Dynamics Corporation).
 3. ISAT (International Seismic Application Technology).
 4. Kinetics Noise Control.
 5. Mason Industries.
 6. Vibro-Acoustics
 7. VMC (Vibration Mountings & Controls, Inc.)
- B. Restrained Vibration Isolation Roof-Curb Rails: **RC1**:
- C. Description: Factory-assembled, fully enclosed, insulated, air- and watertight curb rail designed to resiliently support equipment and to withstand seismic and wind forces.
- D. Upper Frame: The upper frame shall provide continuous support for equipment and shall be captive to resiliently resist **seismic** forces.
- E. Lower Support Assembly: The lower support assembly shall be a formed sheet-metal section containing adjustable and removable steel springs that support upper frame. Lower support assembly shall have a means for attaching to building structure and a wood nailer for attaching roof materials, and shall be insulated with a minimum of 2 inches of rigid, glass-fiber insulation on inside of assembly.
- F. Spring Isolators: Adjustable, restrained spring isolators shall be mounted on 1/4-inch-thick, elastomeric vibration isolation pads and shall have access ports, for level adjustment, with removable waterproof covers at all isolator locations. Isolators shall be located so they are accessible for adjustment at any time during the life of the installation without interfering with the integrity of the roof.
 1. Restrained Spring Isolators: Freestanding, steel, open-spring isolators with seismic and wind restraint.
 - a. Housing: Steel with resilient vertical-limit stops and adjustable equipment mounting and leveling bolt.
 - b. Outside Spring Diameter: Not less than 80 percent of the compressed height of the spring at rated load.
 - c. Minimum Additional Travel: 50 percent of the required deflection at rated load.
 - d. Lateral Stiffness: More than 80 percent of rated vertical stiffness.

- e. Overload Capacity: Support 200 percent of rated load, fully compressed, without deformation or failure.
- G. Snubber Bushings: All-directional, elastomeric snubber bushings at least 1/4 inch-thick.
- H. Water Seal: Galvanized sheet metal with EPDM seals at corners, attached to upper support frame, extending down past wood nailer of lower support assembly, and counterflashed over roof materials.
- I. All roof curbs shall be at least 8-inches (MIN) above the roof membrane.

2.3 VIBRATION ISOLATION EQUIPMENT BASES

- A. Manufacturers: Subject to compliance with requirements, provide products by one of the following:
 - 1. Amber/Booth Company, Inc.
 - 2. CalDyn (California Dynamics Corporation).
 - 3. ISAT (International Seismic Application Technology).
 - 4. Kinetics Noise Control.
 - 5. Mason Industries.
 - 6. Vibro-Acoustics
 - 7. VMC (Vibration Mountings & Controls, Inc.)
- B. Steel Bases and Rails **SB1**: Factory-fabricated, welded, structural-steel bases and rails.
 - 1. Design Requirements: Lowest possible mounting height with not less than 1-inch clearance above the floor. Include equipment anchor bolts and auxiliary motor slide bases or rails.
 - a. Include supports for suction and discharge elbows for pumps.
 - 2. Structural Steel: Steel shapes, plates, and bars complying with ASTM A 36/A 36M. Bases shall have shape to accommodate supported equipment.
 - 3. Support Brackets: Factory-welded steel brackets on frame for outrigger isolation mountings and to provide for anchor bolts and equipment support.
- C. Inertia Base **IB1**: Factory-fabricated, welded, structural-steel bases and rails ready for placement of cast-in-place concrete.
 - 1. Design Requirements: Lowest possible mounting height with not less than **2-inch** clearance above the floor. Include equipment anchor bolts and auxiliary motor slide bases or rails.
 - a. Include supports for suction and discharge elbows for pumps.
 - 2. Structural Steel: Steel shapes, plates, and bars complying with ASTM A 36/A 36M. Bases shall have shape to accommodate supported equipment.
 - 3. Support Brackets: Factory-welded steel brackets on frame for outrigger isolation mountings and to provide for anchor bolts and equipment support.

4. Fabrication: Fabricate steel templates to hold equipment anchor-bolt sleeves and anchors in place during placement of concrete. Obtain anchor-bolt templates from supported equipment manufacturer.

2.4 SEISMIC-RESTRAINT DEVICES

- A. Manufacturers: Subject to compliance with requirements, provide products by one of the following:
 1. Amber/Booth Company, Inc.
 2. CalDyn (California Dynamics Corporation).
 3. ISAT (International Seismic Application Technology).
 4. Kinetics Noise Control.
 5. Mason Industries.
 6. Vibro-Acoustics
 7. VMC (Vibration Mountings & Controls, Inc.)
- B. General Requirements for Restraint Components: Rated strengths, features, and applications shall be as defined in reports by **an evaluation service member of ICC-ES**.
 1. Structural Safety Factor: Allowable strength in tension, shear, and pullout force of components shall be at least four times the maximum seismic forces to which they will be subjected.
- C. Snubbers: Factory fabricated using welded structural-steel shapes and plates, anchor bolts, and replaceable resilient isolation washers and bushings.
 1. Anchor bolts for attaching to concrete shall be seismic-rated, drill-in, and stud-wedge or female-wedge type.
 2. Resilient Isolation Washers and Bushings: Oil- and water-resistant neoprene.
 3. Maximum 1/4-inch air gap, and minimum 1/4-inch-thick resilient cushion.
- D. Channel Support System: MFMA-4, shop- or field-fabricated support assembly made of slotted steel channels with accessories for attachment to braced component at one end and to building structure at the other end and other matching components and with corrosion-resistant coating; and rated in tension, compression, and torsion forces.
- E. Restraint Cables: ASTM A 603 galvanized or ASTM A 492 stainless-steel cables with end connections made of steel assemblies with thimbles, brackets, swivel, and bolts designed for restraining cable service; and with a minimum of two clamping bolts for cable engagement. Cables located in exterior or other wet locations such as wash-down areas shall be stainless steel.
- F. Hanger Rod Stiffener: Steel tube or steel slotted-support-system sleeve with internally bolted connections or reinforcing steel angle clamped to hanger rod.
- G. Hinged and Swivel Brace Attachments: Multifunctional steel connectors for attaching hangers to rigid channel bracings and restraint cables.
- H. Bushings for Floor-Mounted Equipment Anchor Bolts: Neoprene bushings designed for rigid equipment mountings, and matched to type and size of anchor bolts and studs.

- I. Bushing Assemblies for Wall-Mounted Equipment Anchorage: Assemblies of neoprene elements and steel sleeves designed for rigid equipment mountings, and matched to type and size of attachment devices used.
- J. Resilient Isolation Washers and Bushings: One-piece, molded, oil- and water-resistant neoprene, with a flat washer face.
- K. Mechanical Anchor Bolts: Drilled-in and stud-wedge or female-wedge type in zinc-coated steel for interior applications and stainless steel for exterior applications. Select anchor bolts with strength required for anchor and as tested according to ASTM E 488. Minimum length of eight times diameter.
- L. Adhesive Anchor Bolts: Drilled-in and capsule anchor system containing polyvinyl or urethane methacrylate-based resin and accelerator, or injected polymer or hybrid mortar adhesive. Provide anchor bolts and hardware with zinc-coated steel for interior applications and stainless steel for exterior applications. Select anchor bolts with strength required for anchor and as tested according to ASTM E 488.
- M. All post installed anchors utilized in the seismic design must be qualified for use in cracked concrete and approved for use with seismic loads.
- N. Expansion anchors shall not be used for anchorage of equipment with motors rated over 10 HP with the exception of undercut expansion anchors. Spring or internally isolated equipment are exempt from this requirement.
- O. All beam clamps utilized for vertical support must also incorporate retention straps.
- P. All seismic brace arm anchorages to include concrete anchors, beam clamps, truss connections, etc., must be approved for use with seismic loads.

2.5 FACTORY FINISHES

- A. Finish: Manufacturer's standard paint applied to factory-assembled and tested equipment before shipping.
 - 1. Powder coating on springs and housings.
 - 2. All hardware shall be galvanized. Hot-dip galvanize metal components for exterior use.
 - 3. Baked enamel or powder coat for metal components on isolators for interior use.
 - 4. Color-code or otherwise mark vibration isolation and **seismic** control devices to indicate capacity range.

PART 3 - EXECUTION

3.1 EXAMINATION

- A. Examine areas and equipment to receive vibration isolation and **seismic** control devices for compliance with requirements for installation tolerances and other conditions affecting performance of the Work.

- B. Examine roughing-in of reinforcement and cast-in-place anchors to verify actual locations before installation.
- C. Proceed with installation only after unsatisfactory conditions have been corrected.

3.2 COORDINATION

- A. Coordinate the location of embedded connection hardware with supported equipment attachment and mounting points and with requirements for concrete reinforcement and formwork specified in **Divison 03 Section "Cast-in-Place Concrete."**
- B. Coordinate size, shape, reinforcement and attachment of all housekeeping pads supporting vibration/seismically rated equipment. Concrete shall have a minimum compressive strength of 4,000 psi or as specified by the project engineer. Coordinate size, thickness, doweling, and reinforcing of concrete equipment housekeeping pads and piers with vibration isolation and seismic restraint device manufacturer to ensure adequate space, embedment and prevent edge breakout failures. Pads and piers must be adequately doweled in to structural slab.
- C. Housekeeping pads shall have adequate space to mount equipment and seismic restraint devices.
- D. Housekeeping Pads must be adequately reinforced and adequately sized for proper installation of equipment anchors and shall also be large enough and thick enough to ensure adequate edge distance and embedment depth for restraint anchor bolts to avoid housekeeping pad breakout failure. Refer seismic restraint manufacturer's written instructions.
- E. Coordinate with vibration/seismic restraint manufacturer and the structural engineer of record to locate and size structural supports underneath vibration/seismically restrained equipment (e.g. roof curbs, cooling towers and other similar equipment). Installation of all seismic restraint materials specified in this section shall be accomplished as per the manufacturer's written instructions. Adjust isolators and restraints after piping systems have been filled and equipment is at its operating weight, following the manufacturer's written instructions.

3.3 APPLICATIONS

- A. Multiple Pipe Supports: Secure pipes to trapeze member with clamps approved for application by **an evaluation service member of ICC-ES** and per the seismic restraint manufacturer's design.
- B. Hanger Rod Stiffeners: Install hanger rod stiffeners where indicated or scheduled on Drawings to receive them and where required to prevent buckling of hanger rods due to seismic forces.
- C. Strength of Support and Seismic-Restraint Assemblies: Where not indicated, select sizes of components so strength will be adequate to carry present and future static and seismic loads within specified loading limits.

3.4 VIBRATION-CONTROL DEVICE INSTALLATION

- A. Comply with requirements in Division 07 Section "Roof Accessories" for installation of roof curbs, equipment supports, and roof penetrations.
- B. Comply with requirements in Division 23 Section "Hydronic Piping" for piping flexible connections.
- C. Isolate all mechanical equipment 0.75 hp and over per the isolator and seismic restraint schedule and these specifications. Vibration isolators shall be selected in accordance with the equipment, pipe or duct weight distribution so as to produce reasonably uniform deflections
- D. All isolation materials and seismic restraints shall be of the same vendor and shall be selected and certified using published or factory certified data
- E. Installation of all vibration isolation materials, flexible connectors and supplemental equipment bases specified in this section shall be accomplished as per the manufacturer's written instructions with mountings adjusted to level equipment. Any variance or non-compliance with the manufacturer's instructions shall be reviewed and approved in writing by the manufacturer or corrected by the contractor in an approved manner.
- F. Installation of vibration isolators must not cause any change of position of equipment, piping or duct work resulting in stresses or misalignment.
- G. Locate isolation hangers as near to the overhead support structure as possible.
- H. No rigid connections between isolated components and the building structure shall be made that degrades the noise and vibration control system herein specified. "Building" includes, but is not limited to, slabs, beams, columns, studs and walls. "Components" includes, but is not limited to, mechanical equipment, piping and ducts.
- I. Coordinate work with other trades to avoid rigid contact with the building.
- J. Any conflicts with other trades which will result in rigid contact with equipment or piping due to inadequate space or other unforeseen conditions should be brought to the architects/engineers attention prior to installation. Corrective work necessitated by conflicts after installation shall be at the responsible contractor's expense.
- K. Bring to the architects/engineers attention any discrepancies between the specifications and the field conditions or changes required due to specific equipment selection, prior to installation. Corrective work necessitated by discrepancies after installation shall be at the responsible contractor's expense.
- L. Correct, at no additional cost, all installations which are deemed defective in workmanship and materials at the contractor's expense.
- M. Use horizontal thrust restraints **T1** to protect Air handling equipment and centrifugal fans against excessive displacement which results from high air thrust when thrust forces exceed 10% of the equipment weight.

- N. Isolated equipment, duct and piping located on roofs must be attached to the structure. Supports (e.g., sleepers) that are not attached to the structure will not be acceptable.
- O. On completion of installation of all isolation materials and before startup of isolated equipment all debris shall be cleared from areas surrounding and from beneath all isolated equipment, leaving equipment free to move on the isolation supports.
- P. All floor mounted isolated equipment shall be protected with specification M1, M2, S1, S2 or S3 isolator.
- Q. Horizontal Pipe Isolation: All HVAC pumped water, pumped condensate, glycol, and refrigerant piping size 1-1/4" and larger within mechanical rooms shall be isolated. Outside equipment rooms this piping shall be isolated for the greater of 50' or 100 pipe diameters from rotating equipment. For the first three (3) support locations from externally isolated equipment provide specification H2 or H3 hangers or specification S1, S2 or S3 mounts with the same deflection as equipment isolators (max 2"). All other piping within the equipment rooms shall be isolated with the same specification isolators with a 3/4" minimum deflection. Steam piping size 1-1/4" and larger which is within an equipment room and connected to rotating equipment shall be isolated for three (3) support locations from the equipment. Provide specification H2 or H3 hangers, or specification S1 or S2 mounts with the same deflection as equipment isolators but a minimum of 3/4".
- R. Install full line size flexible pipe connectors at the inlet and outlet of each pump, cooling tower, condenser, chiller, coiling connections and where shown on the drawings. All connectors shall be suitable for use at the temperature, pressure, and service encountered at the point of installation and operation. End fitting connectors shall conform to the pipefitting schedule. Control rods or protective braid must be used to limit elongation to 3/8". Flexible connectors shall not be required for suspended in-line pumps.
- S. All plumbing pumped water, piping size 1-1/4" and larger within mechanical rooms shall be isolated the same as HVAC piping above. Isolators are not required for any plumbing pumped water, pumped condensate, and steam piping outside of mechanical rooms unless listed in the isolation schedule.
- T. Pipe Riser Isolation: The operating weight of all variable temperature vertical pipe risers 1-1/4" and larger, requiring isolation where specifically shown and detailed on riser drawings shall be fully supported by specification M1, M2 or R1 supports. S1, S2, S3, H2 or H3 steel spring deflection isolators with minimum 3/4-inch minimum shall be in those locations where added deflection is required due to pipe expansion and contraction. Spring deflection shall be a minimum of 4 times the anticipated deflection change. Springs shall be selected to keep the riser in tension. Height saving brackets used with isolators having 2.5" deflection or greater shall be of the precompression type to limit exposed bolt length. Specification R1 riser supports shall be installed near the center point of the riser to anchor the riser when spring isolation is used. Specification R2 riser guides may be used in conjunction with spring isolators per design calculations. Pipe risers up through 16" shall be supported at intervals of every third floor of the building. Pipe risers 18" and over, every second floor. Wall sleeves for take-offs from riser shall be sized for insulation O.D. plus two times the anticipated movement to prevent binding.

Horizontal take-offs and at upper and lower elbows shall be supported with spring isolators as required to accommodate anticipated movement. In addition to submittal data requirements previously outlined, riser diagrams and calculations shall be submitted for approval. Calculations must show anticipated expansion and contraction at each support point, initial and final loads on the building structure, and spring deflection changes. Submittal data shall include certification that the riser system has been examined for excessive stresses and that none will exist if installed per design proposed.

- U. Where riser pipes pass through cored holes, core diameters shall be a maximum of 2" larger than pipe O.D. including insulation. Cored holes must be packed with resilient material or firestop as provided by other sections of this specification or local codes. Where seismic restraint is required specification isolator S3 shall support risers and provide longitudinal restraint at floors where thermal expansion is minimal and will not bind isolator restraints.
- V. Duct Isolation: Isolate all duct work with a static pressure 2" W.C. and over in equipment rooms and to minimum of 50 feet from the fan or air handler. Use specification type H2 or H3 hangers or type S1 or S2 floor mounts.

3.5 SEISMIC-RESTRAINT DEVICE INSTALLATION

A. Equipment Restraints:

1. On projects with Seismic Site Class A or B, seismic design or restraint is not required.
2. On projects with Seismic Design Category C: Components with an importance factor of 1.0 do not require seismic design or restraint.
3. Install seismic snubbers on HVAC equipment mounted on vibration isolators. Locate snubbers as close as possible to vibration isolators and bolt to equipment base and supporting structure.
4. Install resilient bolt isolation washers on equipment anchor bolts where clearance between anchor and adjacent surface exceeds 0.125 inch.
5. Install seismic-restraint devices using methods approved by **an evaluation service member of ICC-ES** providing required submittals for component.
6. Suspended Equipment: All suspended equipment that meets any of the following conditions requires seismic restraints as specified by the supplier:
 - a. Rigidly attached to pipe or duct that is 75 lbs. and greater,
 - b. Items greater than 20 lbs and distribution systems weighing more than 5 lbs/lineal foot, with an importance factor of 1.0 hung independently or with flexible connections.
 - c. Possibility of consequential damage.
 - d. For importance factors greater than 1.0 all suspended equipment requires seismic restraint regardless of the above notes.

- e. Wall mounted equipment weighing more than 20 lbs.
 - f. Exemptions:
 - 1) Equipment weighing less than 20 lbs and distribution systems weighing less than 5 lbs/lineal foot, with an $I_p = 1.0$ and where flexible connections exist between the component and associated ductwork, piping or conduit.
7. Base Mounted Equipment: All base mounted equipment that meets any of the following conditions requires attachments and seismic restraints as specified by the supplier:
- a. Connections to or containing hazardous material,
 - b. With an overturning moment.
 - c. Weight greater than 400 lbs.
 - d. Mounted on a stand 4 ft. or more from the floor
 - e. Possibility of consequential damage.
 - f. For importance factors greater than 1.0 all base mounted items require seismic restraints regardless of the above notes.
 - g. For equipment with high center of gravity additional cable restraints shall be furnished, as required by isolation manufacturer, to limit forces and motion caused by rocking.
 - h. Exemptions:
 - 1) Floor or curb-mounted equipment weighing less than 400 lbs and not resiliently mounted, where the Importance Factor, $I_p = 1.0$, the components are mounted at 4 feet or less above a floor level, flexible connections between the components and associated duct work, piping and conduit are provided and there is no possibility of consequential damage.
8. Roof Mounted Equipment:
- a. To be installed on a structural frame, seismically rated roof curb, or structural curb frame mechanically connected to the structure. Items shall not be mounted onto sleepers or pads that are not mechanically and rigidly attached to the structure. Restraint must be adequate to resist both seismic and wind forces.
 - b. Roof curbs shall be installed directly to building structural steel or concrete roof deck and not to top of steel deck or roofing material.
 - c. Exemptions:
 - 1) Curb-mounted mushroom, exhaust and vent fans with curb area less than nine square feet are excluded.
9. Rigid Mounted Equipment:
- a. Anchor floor and wall mounted equipment to the structure as per the stamped seismic certifications / drawings.
 - b. For equipment with high center of gravity additional cable restraints shall be furnished, as required by isolation manufacturer, to limit forces and motion caused by rocking.

- c. Suspended equipment shall be restrained using seismic cable restraints, or struts, and hanger rods as per the stamped seismic certifications / drawings.
10. Vibration Isolated Equipment:
- a. Seismic control shall not compromise the performance of noise control, vibration isolation or fire stopping systems.
 - b. Equipment supported by vibration-isolation hangers shall be detailed and installed with approximately a 1/8" gap between the isolation hangers and the structure. Isolators at restraint locations must be fitted with uplift limit stops.
- B. Install seismic snubbers on HVAC equipment mounted on vibration isolators. Locate snubbers as close as possible to vibration isolators and bolt to equipment base and supporting structure.
- C. Install resilient bolt isolation washers on equipment anchor bolts where clearance between anchor and adjacent surface exceeds 0.125 inch.
- D. Install seismic-restraint devices using methods approved by **an evaluation service member of ICC-ES** providing required submittals for component.
- E. Installation and adjustment of all seismic restraints specified in this section shall be accomplished as per the manufacturer's written instructions. Any deviation from the manufacturer's instructions shall be reviewed and approved by the manufacturer.
- F. Piping Restraints:
1. Comply with requirements in ASCE 7-10 Chapter 13.
 2. Branch lines may not be used to brace main lines.
 3. All piping requires restraint unless it meets any of the exemptions listed below.
 4. Exemptions:
 - a. All high deformability pipe 3" or less in diameter suspended by individual hanger rods where $I_p = 1.0$.
 - b. High deformability pipe or conduit in Seismic Design Category C, 2" or less in diameter suspended by individual hanger rods where $I_p = 1.5$.
 - c. High deformability pipe in Seismic Design Category D, E or F, 1" or less in diameter suspended by individual hanger rods where $I_p = 1.5$.
 - d. All clevis supported pipe runs installed less than 12" from the top of the pipe to the underside of the support point and trapeze supported pipe suspended by hanger rods having a distance less than 12" in length from the underside of the pipe support to the support point of the structure.
 - e. Piping systems, including their supports, designed and constructed in accordance with ASME B31.
 - f. Piping systems, including their supports, designed and constructed in accordance with NFPA, provided they meet the force and displacement requirements of Section 13.3.1 and 13.3.2 (ASCE 7).
- G. Install flexible metal hose loops in piping which crosses building seismic joints, sized for the anticipated amount of movement.

- H. Install flexible piping connectors where adjacent sections or branches are supported by different structural elements, and where the connections terminate with connection to equipment that is anchored to a different structural element from the one supporting the connections as they approach equipment.
- I. Where pipe sizes reduce below dimensions required for seismic, the final restraint shall be installed at the transition location.
- J. Restraint Spacing For Piping: Sizes shown are maximum. Actual spacing determined by calculation.
 - 1. For non-ductile piping (e.g., cast iron, PVC) space transverse supports a maximum of 20' o.c., and longitudinal supports a maximum of 40' o.c.
 - 2. For piping with hazardous material inside (e.g., natural gas, medical gas) space Transverse supports a maximum of 20' o.c., and longitudinal supports a maximum of 40' o.c.
 - 3. For pipe risers, restrain the piping at floor penetrations using the same spacing requirements as above.
 - 4. For all other ductile piping see Table "A" below
- K. Seismic Restraint of Ductwork: Seismically restrain per specific code requirements, all ductwork listed below (unless otherwise indicated on the drawings), using seismic cable restraints: (Ductwork not meeting criteria listed below is to be "Exempt")
 - 1. Restrain rectangular ductwork with cross sectional area of 6 square feet or larger. Duct with and an importance factor of 1.5 must be braced with no exceptions regardless of size or distance requirements.
 - 2. Restrain round ducts with diameters of 33" or larger. Duct with an importance factor of 1.5 must be braced with no exceptions regardless of size or distance requirements.
 - 3. Restrain flat oval ducts the same as rectangular ducts of the same nominal size.
 - 4. Duct must be reinforced at the restraint locations. Reinforcement shall consist of an additional angle on top of the ductwork that is attached to the support hanger rods. Ductwork is to be attached to both upper angle and lower trapeze. Additional reinforcing is not required if duct sections are mechanically fastened together with frame bolts and positively fastened to the duct support suspension system.
 - 5. A group of ducts may be combined in a larger frame so that the combined weights and dimensions of the ducts are less than or equal to the maximum weight and dimensions of the duct for which bracing details are selected.
 - 6. Walls, including gypsum board non-bearing partitions, which have ducts running through them, may replace a typical transverse brace. Provide channel framing around ducts and solid blocking between the duct and frame.
 - 7. If ducts are supported by angles, channels or struts, ducts shall be fastened to it at seismic brace locations in lieu of duct reinforcement.
 - 8. All ductwork weighing more than 17 lb/ft.
 - 9. Exemptions:
 - a. Duct runs supported at locations by two rods less than 12 inches in length from the structural support to the structural connection to the ductwork. This exemption does not apply to ducts with an importance factor of 1.5.

10. See Table "A" below for restraint spacing.

L. Exemptions do not apply for:

1. Life Safety or High Hazard Components

a. Including gas, fire protection, medical gas, fuel oil and compressed air needed for the continued operation of the facility or whose failure could impair the facility's continued operation, Occupancy Category IV, IBC-2009 as listed in Section 1.3 B regardless of governing code for HVAC, Plumbing, Electrical piping or equipment. (A partial list is illustrated.) High Hazard is additionally classified as any system handling flammable, combustible or toxic material. Typical systems not excluded are additionally listed below.

2. Piping

a. Fuel oil, gasoline, natural gas, medical gas, steam, compressed air or any piping containing hazardous, flammable, combustible, toxic or corrosive materials. Fire protection standpipe, risers and mains. Fire Sprinkler Branch Lines must be end tied.

3. Duct

a. Smoke evacuation duct or fresh air make up connected to emergency system, emergency generator exhaust, boiler breeching or as used by the fire department on manual override.

4. Equipment

a. Previously excluded non life safety duct mounted systems such as fans, variable air volume boxes, heat exchangers and humidifiers having a weight greater than 75 lbs require independent seismic bracing.

M. Spacing Chart For Suspended Components:

Table "A" Seismic Bracing (Maximum Allowable Spacing Shown- Actual Spacing to Be Determined by Calculation)			
Equipment	On Center Transverse	On Center Longitudinal	Change Of Direction
Duct			
All Sizes	30 Feet	60 Feet	4 Feet
Pipe Threaded, Welded, Soldered Or Grooved			
To 16"	40 Feet	80 Feet	4 Feet
18" – 28"	30 Feet	60 Feet	4 Feet
30" – 40"	20 Feet	60 Feet	4 Feet
42" & Larger	10 Feet	30 Feet	4 Feet

N. Roof mounted duct is to be installed on sleepers or frames mechanically connected to the building structure. Roof anchors and seismic cables or frames shall be used to resist

seismic and wind loading. Wind loading factors shall be determined by the registered design professional.

- O. Where duct sizes reduce below dimensions required for seismic restraint the final restraint shall be installed at the transition location.
- P. Install cables so they do not bend across edges of adjacent equipment or building structure.
- Q. Install bushing assemblies for anchor bolts for floor-mounted equipment, arranged to provide resilient media between anchor bolt and mounting hole in concrete base.
- R. Install bushing assemblies for mounting bolts for wall-mounted equipment, arranged to provide resilient media where equipment or equipment-mounting channels are attached to wall.
- S. Attachment to Structure: If specific attachment is not indicated, anchor bracing to structure at flanges of beams, at upper truss chords of bar joists, or at concrete members.
- T. Seismically Rated Beam Clamps are required where welding to or penetrations to steel beams are not approved.
- U. Drilled-in Anchors:
 - 1. Identify position of reinforcing steel and other embedded items prior to drilling holes for anchors. Do not damage existing reinforcing or embedded items during coring or drilling. Notify the structural engineer if reinforcing steel or other embedded items are encountered during drilling. Locate and avoid prestressed tendons, electrical and telecommunications conduit, and gas lines.
 - 2. Do not drill holes in concrete or masonry until concrete, mortar, or grout has achieved full design strength.
 - 3. Wedge Anchors: Protect threads from damage during anchor installation. Heavy-duty sleeve anchors shall be installed with sleeve fully engaged in the structural element to which anchor is to be fastened.
 - 4. Adhesive Anchors: Clean holes to remove loose material and drilling dust prior to installation of adhesive. Place adhesive in holes proceeding from the bottom of the hole and progressing toward the surface in such a manner as to avoid introduction of air pockets in the adhesive.
 - 5. Set anchors to manufacturer's recommended torque, using a torque wrench.
 - 6. Install zinc-coated steel anchors for interior and stainless-steel anchors for exterior applications.

3.6 ACCOMMODATION OF DIFFERENTIAL SEISMIC MOTION

- A. Install flexible connections in piping where they cross seismic joints, where adjacent sections or branches are supported by different structural elements, and where the connections terminate with connection to equipment that is anchored to a different structural element from the one supporting the connections as they approach

equipment. Comply with requirements in Division 23 Section "Hydronic Piping" for piping flexible connections.

3.7 FIELD QUALITY CONTROL

- A. Testing Agency: Engage a qualified testing agency to perform tests and inspections.
- B. Perform tests and inspections.
 - 1. A representative of the vibration isolation system manufacturer shall review the project installation and provide documentation indicating conformance to vibration isolation design intent
- C. Remove and replace malfunctioning units and retest as specified above.
- D. Prepare test and inspection reports.
 - 1. The installing contractor shall submit a report upon request to the building architect and/or engineer, including the manufacturer's representative's final report, indicating that all seismic restraint material has been properly installed, or steps that are to be taken by the contractor to properly complete the seismic restraint work as per the specifications.

3.8 ADJUSTING

- A. Adjust isolators after piping system is at operating weight.
- B. Adjust leveling devices as required to distribute loading uniformly on isolators. Shim units as required where leveling devices cannot be used to distribute loading properly.
 - 1. Adjust active height of spring isolators.
- C. Adjust limit stops on restrained spring isolators to mount equipment at normal operating height. After equipment installation is complete, adjust limit stops so they are out of contact during normal operation.
- D. Adjust restraints to permit free movement of equipment within normal mode of operation.

EQUIPMENT ISOLATION SCHEDULE									
LOCATION	A' CRITICAL L (35'-50' SPAN)			B' UPPER STORY (20'-35' SPAN)			C' GRADE		
	ISOLATOR TYPE	MINIMUM DEFLECTION	BASE TYPE	ISOLATOR TYPE	MINIMUM DEFLECTION	BASE TYPE	ISOLATOR TYPE	MINIMUM DEFLECTION	BASE TYPE

EQUIPMENT (1)		(IN)			(IN)			(IN)	
AIR HANDLING UNITS									
FLOOR MOUNTED									
UP TO 15 HP	S3	1.5		S3	0.75		S3	0.75	
20 HP & OVER	S3	2.5	SB1	S3	1.5		S3	0.75	
SUSPENDED									
UP TO 15 HP	H3	1.75		H3	1		H3	1	
20 HP & OVER	H3	2.5	SB1	H3	1.75		H3	1	
HIGH PRESSURE FAN SECTIONS									
UP TO 30 HP	S1	2.5	IB1	S3	1.5	IB1	S3	0.75	IB1
40 HP & OVER	S1	3.5	IB1	S3	2.5	IB1	S3	1.5	IB1
CENTRIFUGAL FANS									
CL. I & II UP TO 54-112" W.D.									
UPT015HP	S3	1.5	SB1	S3	0.75	SB1	S3	0.75	SB1
20-50 HP	S1	2.5	IB1	S3	1.5	IB1	S3	0.75	SB1
60 HP & OVER	S1	3.5	IB1	S1	2.5	IB1	S3	1.5	SB1
CL. I & II 60" W.D. & OVER									
CL. III FANS									
UPT015HP	S1	2.5	IB1	S3	1.5	IB1	S3	0.75	IB1
20-50 H P	S1	2.5	IB1	S1	2.5	IB1	S3	1.5	IB1
60 HP & OVER	S1	3.5	IB1	S1	2.5	IB1	S3	1.5	IB1
CABINET FANS, FANS SECTIONS									
FLOOR MTD.									
UP TO 15 HP	S3	1.5		S3	0.75		S3	0.75	
20 HP & OVER	S1	2.5	IB1	S3	1.5		S3	0.75	
SUSPENDED									
UP TO 15 HP	H3	1.75		H3	1		H3	0.75	
20 HP & OVER	H3	2.5	SB1	H3	1.75		H3	1.75	
PUMPS									
FLOOR MTD.									
UP TO 15 HP	S3	0.75	IB1	S3	0.75	IB1	SRVD	0.4	IB1
7-112 HP & OVER	S3	1.5	IB1	S3	1.5	IB1	S3	0.75	IB1
SUSPENDED INLINE	H3	1.75		H3	1.75		H3	1	
REFRIGERATION UNITS									
RECIPROCATING COMPRESSORS	S1	2.5	IB1	S3	1.5	IB1	S3	0.75	IB1
RECIPROCATING COND. UNITS & CHILLERS	S1	2.5	IB1	S3	1.5		S3	0.75	
HERMETIC CENTRIFUGALS	S3	2.5		S3	1.5		P1	0.15	
OPEN CENTRIFUGALS	S1	2.5	IB1	S3	1.5	IB1	P1	0.15	
ABSORPTION MACHINES	S3	1.5		S3	0.75		P1	0.15	
AIR COOLED CONDENSERS									
UP TO 50 TONS	S3	1.5		S3	0.75		P1	0.15	
OVER 50 TONS	S3	2.5		S3	1.5		P1	0.15	

NOTES:

1) Thrust restraints required on all high-pressure fan section, suspended axial-flow fans and on floor-mounted axial fans operating at 3.0" S.P. or greater.

END OF SECTION

SECTION 23 05 50 - OPERATION AND MAINTENANCE OF HVAC SYSTEMS

PART 1 - GENERAL

1.1 RELATED DOCUMENTS

- A. All pertinent sections of Division 21, 22, & 23 Mechanical General Requirements, are part of the work of this Section. Division 1 is part of this and all other sections of these specifications.
 - 1. Testing and Balancing is specified in section 230594.
 - 2. Training and Instructions to Owner's Representative is specified in section 230100.

1.2 SCOPE OF WORK

- A. Submission of Operating and Maintenance Manuals complete with Balancing reports. (Coordinate with Division 1).
- B. Coordination of work required for system commissioning.
- C. **Provide a hard copy and an electronic copy on CD of the O and M manual fully searchable in PDF format.**

1.3 SUBMITTALS

- A. Submit product data in accordance with Division 1 and Section 230100. Submit the following:
 - 1. Sample of O and M manual outline.
 - 2. Hard copy and an electronic copy on CD of the O and M manual fully searchable in PDF format. Both the hard copy and the electronic copy are to be fully indexed. The electronic copy shall also have a linked index.

PART 2 - PRODUCTS

2.1 O & M MANUALS

- A. The operating and maintenance manuals shall be as follows:
 - 1. Binders shall be red buckram with easy-view metal for size 8-1/2 x 11-inch sheets, with capacity expandable from 2 inches to 3-1/2 inches as required for the project. Construction shall be rivet-through with library corners. No. 12 backbone and lining shall be the same material as the cover. The front cover and backbone shall be foil-stamped in white as follows: (coordinate with **Division 01**)

OPERATING AND MAINTENANCE
MANUAL
FOR THE

(INSERT PROJECT NAME)

(INSERT PROJECT COMPLETION YEAR)

VOLUME No. ()

VAN BOERUM & FRANK ASSOCIATES, INC.
MECHANICAL ENGINEER

(INSERT ARCHITECT)

PART 3 - EXECUTION

3.1 OPERATING AND MAINTENANCE MANUALS:

- A. Work under this section shall be performed in concert with the contractor performing the system testing and balancing. Six (6) copies of the manuals shall be furnished to the Architect for distribution to the owner.
- B. The "Start-Up and Operation" section is one of the most important in the manual. Information in this section shall be complete and accurately written and shall be verified with the actual equipment on the job, such as switches, starters, relays, automatic controls, etc. A step-by-step start-up procedure shall be described.
- C. The manuals shall include air and water-balancing reports, system commissioning procedures, start-up tests and reports, equipment and system performance test reports, warranties, and certificates of training given to the owner's representatives.

An index sheet typed on AICO Gold-Line indexes shall be provided in the front of the binder. The manual shall include the following:

SYSTEM DESCRIPTIONS

START-UP PROCEDURE AND OPERATION OF SYSTEM

MAINTENANCE AND LUBRICATION TABLE

OPERATION AND MAINTENANCE BULLETINS

AUTOMATIC TEMPERATURE CONTROL DESCRIPTION OF OPERATION, INTERLOCK AND CONTROL DIAGRAMS, AND CONTROL PANELS.

AIR AND WATER SYSTEM BALANCING REPORTS

EQUIPMENT WARRANTIES AND TRAINING CERTIFICATES

SYSTEM COMMISSIONING REPORTS

EQUIPMENT START-UP CERTIFICATES

END OF SECTION

THIS PAGE INTENTIONALLY LEFT BLANK

SECTION 23 05 53 - IDENTIFICATION FOR HVAC PIPING AND EQUIPMENT

PART 1 - GENERAL

1.1 RELATED DOCUMENTS

- A. Drawings and general provisions of the Contract, including General and Supplementary Conditions and Division 01 Specification Sections, apply to this Section.

1.2 SUMMARY

- A. Section Includes:

1. Equipment labels.
2. Danger, Warning and Caution signs and labels.
3. Pipe labels.
4. Duct labels.
5. Stencils.
6. Valve tags.
7. Danger tags.
8. Warning tags.
9. Caution tags.
10. Specialty Gas.
11. Ceiling grid.

1.3 ACTION SUBMITTALS

- A. Product Data: For each type of product indicated.
- B. Equipment Label Schedule: Include a listing of all equipment to be labeled with the proposed content for each label.
- C. Valve numbering scheme.
- D. Valve Schedules: For each piping system to include in maintenance manuals.

1.4 COORDINATION

- A. Coordinate installation of identifying devices with completion of covering and painting of surfaces where devices are to be applied.
- B. Coordinate installation of identifying devices with locations of access panels and doors.
- C. Install identifying devices before installing acoustical ceilings and similar concealment.

PART 2 - PRODUCTS

2.1 EQUIPMENT LABELS

A. Metal Labels for Equipment:

1. Material and Minimum Thickness, predrilled or stamped holes for attachment hardware:
 - a. **Brass, 0.032-inch .**
2. Minimum Label Size: Length and width vary for required label content, but not less than **2-1/2** by **3/4 inch**.
3. Minimum Letter Size: **1/4 inch** for name of units if viewing distance is less than **24 inches**, **1/2 inch** for viewing distances up to **72 inches**, and proportionately larger lettering for greater viewing distances. Include secondary lettering two-thirds to three-fourths the size of principal lettering.
4. Fasteners: Stainless-steel;
 - a. **Rivets or self-tapping screws**
5. Adhesive: Contact-type permanent adhesive, compatible with label and with substrate.

B. Plastic Labels for Equipment:

1. Material and Thickness: Multilayer, multicolor, plastic labels for mechanical engraving, and having predrilled holes for attachment hardware, **1/16 inch** thick.
2. Letter Color:
 - a. **Black.**
3. Background Color:
 - a. **White.**
4. Maximum Temperature: Able to withstand temperatures up to **160 deg F**.
5. Minimum Label Size: Length and width vary for required label content, but not less than **2-1/2** by **3/4 inch**.
6. Minimum Letter Size: **1/4 inch** for name of units if viewing distance is less than **24 inches**, **1/2 inch** for viewing distances up to **72 inches**, and proportionately larger lettering for greater viewing distances. Include secondary lettering two-thirds to three-fourths the size of principal lettering.
7. Fasteners: Stainless-steel;
 - a. **Rivets or self-tapping screws**
8. Adhesive: Contact-type permanent adhesive, compatible with label and with substrate.

C. Label Content: Include equipment's Drawing designation or unique equipment number, Drawing numbers where equipment is indicated (plans, details, and schedules), plus the Specification Section number and title where equipment is specified.

D. Equipment Label Schedule: For each item of equipment to be labeled, on 8-1/2-by-11-inch bond paper. Tabulate equipment identification number and identify Drawing numbers where equipment is indicated (plans, details, and schedules), plus the Specification Section number and title where equipment is specified. Equipment schedule shall be included in operation and maintenance data.

2.2 DANGER, WARNING AND CAUTION SIGNS AND LABELS

- A. Material and Thickness: Multilayer, multicolor, plastic labels for mechanical engraving, having predrilled holes for attachment hardware; **1/16 inch** thick.
- B. Danger signs, colors:
 - 1. Letter Color:
 - a. **White.**
 - 2. Background Color:
 - a. **Red.**
- C. Warning signs, colors:
 - 1. Letter Color:
 - a. **Black.**
 - 2. Background Color:
 - a. **Orange.**
- D. Caution signs, colors:
 - 1. Letter Color:
 - a. **Black.**
 - 2. Background Color:
 - a. **Yellow.**
- E. Maximum Temperature: Able to withstand temperatures up to **160 deg F.**
- F. Minimum Label Size: Length and width vary for required label content, but not less **than 2-1/2 by 3/4 inch.**
- G. Minimum Letter Size: 1/4 inch for name of units if viewing distance is less than 24 inches, 1/2 inch for viewing distances up to 72 inches, and proportionately larger lettering for greater viewing distances. Include secondary lettering two-thirds to three-fourths the size of principal lettering.
- H. Fasteners: Stainless-steel;
 - 1. Rivets or self-tapping screws
 - 2. Rivets.
- I. Adhesive: Contact-type permanent adhesive, compatible with label and with substrate.
- J. Label Content: Include caution and warning information, plus emergency notification instructions.

2.3 PIPE LABELS

- A. General Requirements for Manufactured Pipe Labels: Preprinted, color-coded, with lettering indicating service, and showing flow direction.
- B. Pretensioned Pipe Labels: Precoiled, semirigid plastic formed to **partially cover** circumference of pipe and to attach to pipe without fasteners or adhesive.

- C. Self-Adhesive Pipe Labels: Printed plastic with contact-type, permanent-adhesive backing.
- D. Pipe Label Contents: Include identification of piping service using same designations or abbreviations as used on Drawings, pipe size, and an arrow indicating flow direction.
 - 1. Flow-Direction Arrows: Integral with piping system service lettering to accommodate both directions, or as separate unit on each pipe label to indicate flow direction.
 - 2. Lettering Size: At least 1-1/2 inches high.

2.4 DUCT LABELS

- A. Material and Thickness: Multilayer, multicolor, plastic labels for mechanical engraving, having predrilled holes for attachment hardware; **1/16 inch** thick.
- B. Letter Color:
 - 1. **White.**
- C. Background Color:
 - 1. **Black.**
- D. Maximum Temperature: Able to withstand temperatures up to **160 deg F.**
- E. Minimum Label Size: Length and width vary for required label content, but not less than **2-1/2 by 3/4 inch.**
- F. Minimum Letter Size: **1/4 inch** for name of units if viewing distance is less than **24 inches**, **1/2 inch** for viewing distances up to **72 inches**, and proportionately larger lettering for greater viewing distances. Include secondary lettering two-thirds to three-fourths the size of principal lettering.
- G. Fasteners: Stainless-steel;
 - 1. Rivets or self-tapping screws
- H. Adhesive: Contact-type permanent adhesive, compatible with label and with substrate.
- I. Duct Label Contents: Include identification of duct service using same designations or abbreviations as used on Drawings, duct size, and an arrow indicating flow direction.
 - 1. Flow-Direction Arrows: Integral with duct system service lettering to accommodate both directions, or as separate unit on each duct label to indicate flow direction.
 - 2. Lettering Size: At least **1-1/2 inches** high.

2.5 STENCILS

- A. Stencils: Prepared with letter sizes according to ASME A13.1 for piping; minimum letter height of **1-1/4 inches** for ducts; and minimum letter height of **3/4 inch** for access panel and door labels, equipment labels, and similar operational instructions.
1. Stencil Material:
 - a. **Aluminum .**
 2. Stencil Paint:
 - a. Exterior, gloss, **alkyd enamel** black unless otherwise indicated.
 - b. Paint may be in pressurized spray-can form.
 3. Identification Paint:
 - a. Exterior, **alkyd enamel** in colors according to ASME A13.1 unless otherwise indicated.

2.6 VALVE TAGS

- A. Valve Tags: Stamped or engraved with 1/4-inch letters for piping system abbreviation and 1/2-inch numbers.
1. Tag Material, predrilled or stamped holes for attachment hardware, minimum thickness:
 - a. **Brass, 0.032-inch**
 2. Fasteners: Brass;
 - a. **Wire-link or beaded chain; or S-hook**
- B. Valve Schedules:
1. For each piping system, on **8-1/2-by-11-inch** bond paper, tabulate:
 - a. Valve number.
 - b. Piping system.
 - c. System abbreviation (as shown on valve tag).
 - d. Location of valve (room or space).
 - e. Normal-operating position (open, closed, or modulating).
 - f. Variations for identification.
 - g. Mark valves for emergency shutoff and similar special uses.
 2. Valve-tag schedule:
 - a. Shall be included in operation and maintenance data.

2.7 DANGER TAGS

- A. Danger Tags: Preprinted or partially preprinted, accident-prevention tags, of plasticized card stock with matte finish suitable for writing.
1. Size:
 - a. **3 by 5-1/4 inches minimum**
 2. Fasteners:
 - a. **Brass grommet and wire.**

3. Nomenclature: Large-size primary caption such as "DANGER," and "DO NOT OPERATE."
4. Color: Red background with white lettering.

2.8 WARNING TAGS

- A. Warning Tags: Preprinted or partially preprinted, accident-prevention tags, of plasticized card stock with matte finish suitable for writing.
 1. Size:
 - a. **3 by 5-1/4 inches minimum**
 2. Fasteners:
 - a. **Brass grommet and wire.**
 3. Nomenclature: Large-size primary caption such as "WARNING" and "DO NOT OPERATE."
 4. Color: Yellow background with black lettering.

2.9 CAUTION TAGS

- A. Caution Tags: Preprinted or partially preprinted, accident-prevention tags, of plasticized card stock with matte finish suitable for writing.
 1. Size:
 - a. **3 by 5-1/4 inches minimum**
 2. Fasteners:
 - a. **Brass grommet and wire.**
 3. Nomenclature: Large-size primary caption such as "CAUTION," and "DO NOT OPERATE."
 4. Color: Orange background with black lettering.

2.10 SPECIALTY GAS

- A. All piping for specialty gases shall be identified and marked consistent with the discipline and industry governing the same and ANSI standards.

2.11 CEILING GRID

- A. Provide red lettering on the ceiling tile grid of the locations of all fire dampers, smoke dampers and fire/smoke dampers. Size of lettering and verbiage is to conform to IBC and NFPA standards.
- B. Provide valve identification for all HVAC valves located above the ceiling on the ceiling grid below the valve.
- C. Provide VAV box identification for all VAV boxes located above the ceiling on the ceiling grid below the VAV box.

PART 3 - EXECUTION

3.1 PREPARATION

- A. Clean piping and equipment surfaces of substances that could impair bond of identification devices, including dirt, oil, grease, release agents, and incompatible primers, paints, and encapsulants.

3.2 EQUIPMENT LABEL INSTALLATION

- A. Install or permanently fasten labels on each major item of mechanical equipment.
- B. Locate equipment labels where accessible and visible.

3.3 PIPE LABEL INSTALLATION

- A. Piping Color-Coding: Painting of piping is specified in **Division 09**.
- B. Stenciled Pipe Label Option:
 - 1. Stenciled labels may be provided instead of manufactured pipe labels, at Installer's option.
 - 2. Install stenciled pipe labels **with painted, color-coded bands or rectangles** on each piping system.
 - a. Identification Paint: Use for contrasting background.
 - b. Stencil Paint: Use for pipe marking.
- C. Locate pipe labels where piping is exposed or above accessible ceilings in finished spaces; machine rooms; accessible maintenance spaces such as shafts, tunnels, and plenums; and exterior exposed locations as follows:
 - 1. Near each valve and control device.
 - 2. Near each branch connection, excluding short takeoffs for fixtures and terminal units. Where flow pattern is not obvious, mark each pipe at branch.
 - 3. Near penetrations through walls, floors, ceilings, and inaccessible enclosures.
 - 4. At access doors, manholes, and similar access points that permit view of concealed piping.
 - 5. Near major equipment items and other points of origination and termination.
 - 6. Spaced at maximum intervals of **50 feet** along each run. Reduce intervals to **25 feet** in areas of congested piping and equipment.
 - 7. On piping above removable acoustical ceilings. Omit intermediately spaced labels.
- D. Pipe Label Color Schedule: (See Drawing Schedules)

3.4 DUCT LABEL INSTALLATION

- A. Install **plastic-laminated** duct labels with permanent adhesive on air ducts in the following color codes:
1. **Blue** : For cold-air supply ducts.
 2. **Yellow** : For hot-air supply ducts.
 3. **Green** : For exhaust-, outside-, relief-, return-, and mixed-air ducts.
 4. ASME A13.1 Colors and Designs: For hazardous material exhaust.
- B. Locate labels near points where ducts enter into concealed spaces and at maximum intervals of **50 feet** in each space where ducts are exposed or concealed by removable ceiling system.

3.5 VALVE-TAG INSTALLATION (See Drawing Schedules.)

- A. Install tags on valves and control devices in piping systems, except check valves; valves within factory-fabricated equipment units; shutoff valves; faucets; convenience and lawn-watering hose connections; and HVAC terminal devices and similar roughing-in connections of end-use fixtures and units. List tagged valves in a valve schedule.

3.6 WARNING-TAG INSTALLATION

- A. Write required message on, and attach warning tags to, equipment and other items where required.

END OF SECTION

SECTION 23 05 93 - TESTING, ADJUSTING, AND BALANCING FOR HVAC

PART 1 - GENERAL

1.1 RELATED DOCUMENTS

- A. Drawings and general provisions of the Contract, including General and Supplementary Conditions and Division 01 Specification Sections, apply to this Section.

1.2 SUMMARY

- A. Section Includes:

1. Balancing Air Systems:
 - a. Constant-volume air systems.
 - b. Variable-air-volume systems.
2. Balancing Hydronic Piping Systems:
 - a. Constant-flow hydronic systems.
 - b. Variable-flow hydronic systems.
3. Balancing Steam Systems.
4. Various HVAC Equipment.
 - a. Heat Exchangers.
 - b. Motors.
 - c. Condensing Units.
 - d. Heat Transfer Coils.
5. Existing Systems.
6. Domestic Heater Systems.

- B. Room Pressurization Test: Spaces with air pressurization requirements shall undergo a room pressure test to measure capability of the room to maintain air pressure. Rooms shall be pressurized to the differential noted (0.03" w.g. unless otherwise noted) using a blower apparatus and the air leakage rate shall be measured. The maximum leakage rate is specified on sheet M701. If the space exceeds the leakage rate the room shall be sealed and retested. The contractor shall schedule this testing with the architect, engineer, and owner a minimum of 7-days in advance. Submit a report to the Architect/Engineer including at a minimum: Date of testing, individual performing test, witnesses to test, test pressure, leakage rate measured.**

1. The following spaces shall be tested:
 - a. **OR 1 A461**
 - b. **OR 2 A448**

- c. **OR 3 A431**
 - d. **Decontamination A464**
 - e. **Sterile Processing A465**
 - 2. **Refer to sheet M701 for leakage rates and test pressure.**
- C. **The project modifies the building hot water system and will affect the flow rates on levels 1-4. The heating water return piping at each level is equipped with a circuit setter which shall be measured by this contractor before any piping modifications are made. These flow rates shall be included in a preliminary submittal to the engineer for review. At the conclusion of this project the TAB contractor shall measure the flow rates on each level and balance to match the existing flow.**

1.3 DEFINITIONS

- A. AABC: Associated Air Balance Council.
- B. NEBB: National Environmental Balancing Bureau.
- C. TAB: Testing, adjusting, and balancing.
- D. TABB: Testing, Adjusting, and Balancing Bureau.
- E. TAB Specialist: An entity engaged to perform TAB Work.

1.4 INFORMATIONAL SUBMITTALS

A. Qualification Data: Within the following number of days of the Contractor's Notice to Proceed, submit documentation that the TAB contractor and this Project's TAB team members meet the qualifications specified in "Quality Assurance" Article;

- 1. **30 days.**
- B. Certified TAB reports.
- C. Instrument calibration reports, to include the following:
 - 1. Instrument type and make.
 - 2. Serial number.
 - 3. Application.
 - 4. Dates of use.
 - 5. Dates of calibration.

1.5 QUALITY ASSURANCE

- A. TAB Contractor Qualifications: Engage a TAB entity certified by **AABC** or **NEBB**.
 - 1. TAB Field Supervisor: Employee of the TAB contractor and certified by **AABC** or **NEBB** and shall be the same as the TAB Contractor.
 - 2. TAB Technician: Employee of the TAB contractor and who is certified by **AABC** or **NEBB** as a TAB technician and shall be the same as the TAB Contractor.

- B. Certify TAB field data reports and perform the following:
 - 1. Review field data reports to validate accuracy of data and to prepare certified TAB reports.
 - 2. Certify that the TAB team complied with the approved TAB plan and the procedures specified and referenced in this Specification.
- C. TAB Report Forms: Use standard TAB contractor's forms approved by:
 - 1. **Architect .**
- D. Instrumentation Type, Quantity, Accuracy, and Calibration: As described in ASHRAE 111, Section 5, "Instrumentation."
- E. ASHRAE Compliance: Applicable requirements in ASHRAE 62.1, Section 7.2.2 - "Air Balancing."
- F. ASHRAE/IESNA Compliance: Applicable requirements in ASHRAE/IESNA 90.1, Section 6.7.2.3 - "System Balancing."

1.6 PROJECT CONDITIONS

- A. Full Owner Occupancy: Owner will occupy the site and existing building during entire TAB period. Cooperate with Owner during TAB operations to minimize conflicts with Owner's operations.

1.7 COORDINATION

- A. Notice: Provide **seven** days' advance notice for each test. Include scheduled test dates and times.
- B. Perform TAB after leakage and pressure tests on the following distribution systems have been satisfactorily completed:
 - 1. **Air and water.**

PART 2 - PRODUCTS (Not Applicable)

PART 3 - EXECUTION

3.1 TAB SPECIALISTS

- A. Subject to compliance with requirements, **engage one of the following:**
 - 1. Bonneville Test and Balance
 - 2. BTC Service.
 - 3. Certified Test & Balance.
 - 4. Diamond Test & Balance.
 - 5. RS Analysis.

6. Test & Balance Inc.
7. Payson Sheetmetal.
8. QT&B Inc.

3.2 EXAMINATION

- A. Examine the Contract Documents to become familiar with Project requirements and to discover conditions in systems' designs that may preclude proper TAB of systems and equipment.
- B. Examine systems for installed balancing devices, such as test ports, gage cocks, thermometer wells, flow-control devices, balancing valves and fittings, and manual volume dampers. Verify that locations of these balancing devices are accessible.
- C. Examine the approved submittals for HVAC systems and equipment.
- D. Examine design data including HVAC system descriptions, statements of design assumptions for environmental conditions and systems' output, and statements of philosophies and assumptions about HVAC system and equipment controls.
- E. Examine:
 1. Ceiling plenums and underfloor air plenums used for supply, return, or relief air to verify that they meet the leakage class of connected ducts as specified in:
 - a. **Section 233113 "Metal Ducts"**
 2. Verify ceiling plenums and underfloor air plenums used for supply, return or relief air are properly separated from adjacent areas.
 3. Verify that penetrations in plenum walls are sealed and fire-stopped if required.
- F. Examine equipment performance data including fan and pump curves.
 1. Relate performance data to Project conditions and requirements, including system effects that can create undesired or unpredicted conditions that cause reduced capacities in all or part of a system.
 2. Calculate system-effect factors to reduce performance ratings of HVAC equipment when installed under conditions different from the conditions used to rate equipment performance. To calculate system effects for air systems, use tables and charts found in AMCA 201, "Fans and Systems," or in SMACNA's "HVAC Systems - Duct Design." Compare results with the design data and installed conditions.
- G. Examine system and equipment installations and verify that field quality-control testing, cleaning, and adjusting specified in individual Sections have been performed.
- H. Examine test reports specified in individual system and equipment Sections.
- I. Examine HVAC equipment and filters and verify that bearings are greased, belts are aligned and tight, and equipment with functioning controls is ready for operation.
- J. Examine terminal units, such as variable-air-volume boxes, and verify that they are accessible and their controls are connected and functioning.

- K. Examine strainers. Verify that startup screens are replaced by permanent screens with indicated perforations.
- L. Examine three-way valves for proper installation for their intended function of diverting or mixing fluid flows.
- M. Examine heat-transfer coils for correct piping connections and for clean and straight fins.
- N. Examine system pumps to ensure absence of entrained air in the suction piping.
- O. Examine operating safety interlocks and controls on HVAC equipment.
- P. Report deficiencies discovered before and during performance of TAB procedures. Observe and record system reactions to changes in conditions. Record default set points if different from indicated values.

3.3 PREPARATION

- A. Prepare a TAB plan that includes strategies and step-by-step procedures.
- B. Complete system-readiness checks and prepare reports. Verify the following:
 - 1. Permanent electrical-power wiring is complete.
 - 2. Hydronic systems are filled, clean, and free of air.
 - 3. Automatic temperature-control systems are operational.
 - 4. Equipment and duct access doors are securely closed.
 - 5. Balance, smoke, and fire dampers are open.
 - 6. Isolating and balancing valves are open and control valves are operational.
 - 7. Ceilings are installed in critical areas where air-pattern adjustments are required and access to balancing devices is provided.
 - 8. Windows and doors can be closed so indicated conditions for system operations can be met.

3.4 GENERAL PROCEDURES FOR TESTING AND BALANCING

- A. Perform testing and balancing procedures on each system according to the procedures contained in this section and:
 - 1. **AABC's "National Standards for Total System Balance"**
 - 2. Comply with requirements in ASHRAE 62.1, Section 7.2.2 - "Air Balancing."
- B. Cut insulation, ducts, pipes, and equipment cabinets for installation of test probes to the minimum extent necessary for TAB procedures.
 - 1. After testing and balancing, patch probe holes in ducts with same material and thickness as used to construct ducts.
 - 2. Install and join new insulation that matches removed materials. Restore insulation, coverings, vapor barrier, and finish according to Section 230713

"Duct Insulation," Section 230716 "HVAC Equipment Insulation," and Section 230719 "HVAC Piping Insulation."

- C. Mark equipment and balancing devices, including damper-control positions, valve position indicators, fan-speed-control levers, and similar controls and devices, with paint or other suitable, permanent identification material to show final settings.
- D. Take and report testing and balancing measurements in **inch-pound (IP)** .

3.5 GENERAL PROCEDURES FOR BALANCING AIR SYSTEMS

- A. Prepare test reports for both fans and outlets. Obtain manufacturer's outlet factors and recommended testing procedures. Crosscheck the summation of required outlet volumes with required fan volumes.
- B. Prepare schematic diagrams of systems' "as-built" duct layouts.
- C. For variable-air-volume systems, develop a plan to simulate diversity.
- D. Determine the best locations in main and branch ducts for accurate duct-airflow measurements.
- E. Check airflow patterns from the outdoor-air louvers and dampers and the return- and exhaust-air dampers through the supply-fan discharge and mixing dampers.
- F. Locate start-stop and disconnect switches, electrical interlocks, and motor starters.
- G. Verify that motor starters are equipped with properly sized thermal protection.
- H. Check dampers for proper position to achieve desired airflow path.
- I. Check for airflow blockages.
- J. Check condensate drains for proper connections and functioning.
- K. Check for proper sealing of air-handling-unit components.
- L. Verify that air duct system is sealed as specified in Section 2331 13 "Metal Ducts."

3.6 PROCEDURES FOR CONSTANT-VOLUME AIR SYSTEMS

- A. Adjust fans to deliver total indicated airflows within the maximum allowable fan speed listed by fan manufacturer.
 - 1. Measure total airflow.
 - a. Where sufficient space in ducts is unavailable for Pitot-tube traverse measurements, measure airflow at terminal outlets and inlets and calculate the total airflow.

2. Measure fan static pressures as follows to determine actual static pressure:
 - a. Measure outlet static pressure as far downstream from the fan as practical and upstream from restrictions in ducts such as elbows and transitions.
 - b. Measure static pressure directly at the fan outlet or through the flexible connection.
 - c. Measure inlet static pressure of single-inlet fans in the inlet duct as near the fan as possible, upstream from the flexible connection, and downstream from duct restrictions.
 - d. Measure inlet static pressure of double-inlet fans through the wall of the plenum that houses the fan.
 3. Measure static pressure across each component that makes up an air-handling unit, rooftop unit, and other air-handling and -treating equipment.
 - a. Report the cleanliness status of filters and the time static pressures are measured.
 4. Measure static pressures entering and leaving other devices, such as sound traps, heat-recovery equipment, and air washers, under final balanced conditions.
 5. Review Record Documents to determine variations in design static pressures versus actual static pressures. Calculate actual system-effect factors. Recommend adjustments to accommodate actual conditions.
 6. Obtain approval from one of the following entities for adjustment of fan speed higher or lower than indicated speed. Comply with requirements in HVAC Sections for air-handling units for adjustment of fans, belts, and pulley sizes to achieve indicated air-handling-unit performance:
 - a. **Architect .**
 7. Do not make fan-speed adjustments that result in motor overload. Consult equipment manufacturers about fan-speed safety factors. Modulate dampers and measure fan-motor amperage to ensure that no overload will occur. Measure amperage in full-cooling, full-heating, economizer, and any other operating mode to determine the maximum required brake horsepower.
- B. Adjust volume dampers for main duct, submain ducts, and major branch ducts to indicated airflows within specified tolerances.
1. Measure airflow of submain and branch ducts.
 - a. Where sufficient space in submain and branch ducts is unavailable for Pitot-tube traverse measurements, measure airflow at terminal outlets and inlets and calculate the total airflow for that zone.
 2. Measure static pressure at a point downstream from the balancing damper, and adjust volume dampers until the proper static pressure is achieved.
 3. Remeasure each submain and branch duct after all have been adjusted. Continue to adjust submain and branch ducts to indicated airflows within specified tolerances.
- C. Measure air outlets and inlets without making adjustments.

1. Measure terminal outlets using a direct-reading hood or outlet manufacturer's written instructions and calculating factors.
- D. Adjust air outlets and inlets for each space to indicated airflows within specified tolerances of indicated values. Make adjustments using branch volume dampers rather than extractors and the dampers at air terminals.
1. Adjust each outlet in same room or space to within specified tolerances of indicated quantities without generating noise levels above the limitations prescribed by the Contract Documents.
 2. Adjust patterns of adjustable outlets for proper distribution without drafts.

3.7 PROCEDURES FOR VARIABLE-AIR-VOLUME SYSTEMS

- A. Compensating for Diversity: When the total airflow of all terminal units is more than the indicated airflow of the fan, place a selected number of terminal units at a minimum set-point airflow with the remainder at maximum-airflow condition until the total airflow of the terminal units equals the indicated airflow of the fan. Select the reduced-airflow terminal units so they are distributed evenly among the branch ducts.
- B. Pressure-Independent, Variable-Air-Volume Systems: After the fan systems have been adjusted, adjust the variable-air-volume systems as follows:
1. Set outdoor-air dampers at minimum, and set return- and exhaust-air dampers at a position that simulates full-cooling load.
 2. Select the terminal unit that is most critical to the supply-fan airflow and static pressure. Measure static pressure. Adjust system static pressure so the entering static pressure for the critical terminal unit is not less than the sum of the terminal-unit manufacturer's recommended minimum inlet static pressure plus the static pressure needed to overcome terminal-unit discharge system losses.
 3. Measure total system airflow. Adjust to within indicated airflow.
 4. Set terminal units at maximum airflow and adjust controller or regulator to deliver the designed maximum airflow. Use terminal-unit manufacturer's written instructions to make this adjustment. When total airflow is correct, balance the air outlets downstream from terminal units the same as described for constant-volume air systems.
 5. Set terminal units at minimum airflow and adjust controller or regulator to deliver the designed minimum airflow. Check air outlets for a proportional reduction in airflow the same as described for constant-volume air systems.
 - a. If air outlets are out of balance at minimum airflow, report the condition but leave outlets balanced for maximum airflow.
 6. Remeasure the return airflow to the fan while operating at maximum return airflow and minimum outdoor airflow.
 7. Measure static pressure at the most critical terminal unit and adjust the static-pressure controller at the main supply-air sensing station to ensure that adequate static pressure is maintained at the most critical unit.
 8. Record final fan-performance data.

3.8 GENERAL PROCEDURES FOR HYDRONIC SYSTEMS

- A. Prepare test reports with pertinent design data, and number in sequence starting at pump to end of system. Check the sum of branch-circuit flows against the approved pump flow rate. Correct variations that exceed plus or minus 5 percent.
- B. Prepare schematic diagrams of systems' "as-built" piping layouts.
- C. Prepare hydronic systems for testing and balancing according to the following, in addition to the general preparation procedures specified above:
 - 1. Open all manual valves for maximum flow.
 - 2. Check liquid level in expansion tank.
 - 3. Check makeup water-station pressure gage for adequate pressure for highest vent.
 - 4. Check flow-control valves for specified sequence of operation, and set at indicated flow.
 - 5. Set differential-pressure control valves at the specified differential pressure. Do not set at fully closed position when pump is positive-displacement type unless several terminal valves are kept open.
 - 6. Set system controls so automatic valves are wide open to heat exchangers.
 - 7. Check pump-motor load. If motor is overloaded, throttle main flow-balancing device so motor nameplate rating is not exceeded.
 - 8. Check air vents for a forceful liquid flow exiting from vents when manually operated.

3.9 PROCEDURES FOR CONSTANT-FLOW HYDRONIC SYSTEMS

- A. Measure water flow at pumps. Use the following procedures except for positive-displacement pumps:
 - 1. Verify impeller size by operating the pump with the discharge valve closed. Read pressure differential across the pump. Convert pressure to head and correct for differences in gage heights. Note the point on manufacturer's pump curve at zero flow and verify that the pump has the intended impeller size.
 - a. If impeller sizes must be adjusted to achieve pump performance, obtain approval from the following entity and comply with requirements in Section 232123 "Hydronic Pumps." :
 - 1) [Architect] .**
 - 2. Check system resistance. With all valves open, read pressure differential across the pump and mark pump manufacturer's head-capacity curve. Adjust pump discharge valve until indicated water flow is achieved.
 - a. Monitor motor performance during procedures and do not operate motors in overload conditions.
 - 3. Verify pump-motor brake horsepower. Calculate the intended brake horsepower for the system based on pump manufacturer's performance data.

- Compare calculated brake horsepower with nameplate data on the pump motor. Report conditions where actual amperage exceeds motor nameplate amperage.
4. Report flow rates that are not within plus or minus 10 percent of design.
- B. Measure flow at all automatic flow control valves to verify that valves are functioning as designed.
 - C. Measure flow at all pressure-independent characterized control valves, with valves in fully open position, to verify that valves are functioning as designed.
 - D. Set calibrated balancing valves, if installed, at calculated presettings.
 - E. Measure flow at all stations and adjust, where necessary, to obtain first balance.
 1. System components that have Cv rating or an accurately cataloged flow-pressure-drop relationship may be used as a flow-indicating device.
 - F. Measure flow at main balancing station and set main balancing device to achieve flow that is 5 percent greater than indicated flow.
 - G. Adjust balancing stations to within specified tolerances of indicated flow rate as follows:
 1. Determine the balancing station with the highest percentage over indicated flow.
 2. Adjust each station in turn, beginning with the station with the highest percentage over indicated flow and proceeding to the station with the lowest percentage over indicated flow.
 3. Record settings and mark balancing devices.
 - H. Measure pump flow rate and make final measurements of pump amperage, voltage, rpm, pump heads, and systems' pressures and temperatures including outdoor-air temperature.
 - I. Measure the differential-pressure-control-valve settings existing at the conclusion of balancing.
 - J. Check settings and operation of each safety valve. Record settings.
- 3.10 PROCEDURES FOR VARIABLE-FLOW HYDRONIC SYSTEMS
- A. Balance systems with automatic two- and three-way control valves by setting systems at maximum flow through heat-exchange terminals and proceed as specified above for hydronic systems.
- 3.11 PROCEDURES FOR STEAM SYSTEMS
- A. Measure and record upstream and downstream pressure of each piece of equipment.

- B. Measure and record upstream and downstream steam pressure of pressure-reducing valves.
- C. Check settings and operation of automatic temperature-control valves, self-contained control valves, and pressure-reducing valves. Record final settings.
- D. Check settings and operation of each safety valve. Record settings.
- E. Verify the operation of each steam trap.

3.12 PROCEDURES FOR HEAT EXCHANGERS

- A. Measure water flow through all circuits.
- B. Adjust water flow to within specified tolerances.
- C. Measure inlet and outlet water temperatures.
- D. Measure inlet steam pressure.
- E. Check settings and operation of safety and relief valves. Record settings.

3.13 PROCEDURES FOR MOTORS

- A. Motors, 1/2 HP and Larger: Test at final balanced conditions and record the following data:
 - 1. Manufacturer's name, model number, and serial number.
 - 2. Motor horsepower rating.
 - 3. Motor rpm.
 - 4. Efficiency rating.
 - 5. Nameplate and measured voltage, each phase.
 - 6. Nameplate and measured amperage, each phase.
 - 7. Starter thermal-protection-element rating.
- B. Motors Driven by Variable-Frequency Controllers: Test for proper operation at speeds varying from minimum to maximum. Test the manual bypass of the controller to prove proper operation. Record observations including name of controller manufacturer, model number, serial number, and nameplate data.

3.14 PROCEDURES FOR HEAT-TRANSFER COILS

- A. Measure, adjust, and record the following data for each water coil:
 - 1. Entering- and leaving-water temperature.
 - 2. Water flow rate.
 - 3. Water pressure drop.
 - 4. Dry-bulb temperature of entering and leaving air.
 - 5. Wet-bulb temperature of entering and leaving air for cooling coils.

6. Airflow.
7. Air pressure drop.

3.15 PROCEDURES FOR TESTING, ADJUSTING, AND BALANCING EXISTING SYSTEMS

- A. Perform testing and balancing of existing systems to the extent that existing systems are affected by the renovation work.
 1. Compare the indicated airflow of the renovated work to the measured fan airflows, and determine the new fan speed and the face velocity of filters and coils.
 2. Verify that the indicated airflows of the renovated work result in filter and coil face velocities and fan speeds that are within the acceptable limits defined by equipment manufacturer.
 3. If calculations increase or decrease the air flow rates and water flow rates by more than 5 percent, make equipment adjustments to achieve the calculated rates. If increase or decrease is 5 percent or less, equipment adjustments are not required.
 4. Balance each air outlet.

3.16 DOMESTIC HEATER SYSTEMS

- A. Test domestic heater system per Engineer's instructions.

3.17 TOLERANCES

- A. Set HVAC system's air flow rates and water flow rates within the following tolerances:
 1. Supply, Return, and Exhaust Fans and Equipment with Fans: **Plus or minus 10 percent** .
 2. Air Outlets and Inlets: **Plus or minus 10 percent** .
 3. Heating-Water Flow Rate: **Plus or minus 10 percent** .
 4. Cooling-Water Flow Rate: **Plus or minus 10 percent** .

3.18 REPORTING

- A. Initial Construction-Phase Report: Based on examination of the Contract Documents as specified in "Examination" Article, prepare a report on the adequacy of design for systems' balancing devices. Recommend changes and additions to systems' balancing devices to facilitate proper performance measuring and balancing. Recommend changes and additions to HVAC systems and general construction to allow access for performance measuring and balancing devices.
- B. Status Reports: Prepare progress reports on the following interval to describe completed procedures, procedures in progress, and scheduled procedures. Include a list of deficiencies and problems found in systems being tested and balanced. Prepare a separate report for each system and each building floor for systems serving multiple floors;

1. Weekly.

3.19 FINAL REPORT

- A. General: Prepare a certified written report; tabulate and divide the report into separate sections for tested systems and balanced systems.
1. Include a certification sheet at the front of the report's binder, signed and sealed by the certified testing and balancing engineer.
 2. Include a list of instruments used for procedures, along with proof of calibration.
- B. Final Report Contents: In addition to certified field-report data, include the following:
1. Pump curves.
 2. Fan curves.
 3. Manufacturers' test data.
 4. Field test reports prepared by system and equipment installers.
 5. Other information relative to equipment performance; do not include Shop Drawings and product data.
- C. General Report Data: In addition to form titles and entries, include the following data:
1. Title page.
 2. Name and address of the TAB contractor.
 3. Project name.
 4. Project location.
 5. Architect's name and address.
 6. Engineer's name and address.
 7. Contractor's name and address.
 8. Report date.
 9. Signature of TAB supervisor who certifies the report.
 10. Table of Contents with the total number of pages defined for each section of the report. Number each page in the report.
 11. Summary of contents including the following:
 - a. Indicated versus final performance.
 - b. Notable characteristics of systems.
 - c. Description of system operation sequence if it varies from the Contract Documents.
 12. Nomenclature sheets for each item of equipment.
 13. Data for terminal units, including manufacturer's name, type, size, and fittings.
 14. Notes to explain why certain final data in the body of reports vary from indicated values.
 15. Test conditions for fans and pump performance forms including the following:
 - a. Settings for outdoor-, return-, and exhaust-air dampers.
 - b. Conditions of filters.
 - c. Cooling coil, wet- and dry-bulb conditions.
 - d. Face and bypass damper settings at coils.

- e. Fan drive settings including settings and percentage of maximum pitch diameter.
 - f. Inlet vane settings for variable-air-volume systems.
 - g. Settings for supply-air, static-pressure controller.
 - h. Other system operating conditions that affect performance.
- D. System Diagrams: Include schematic layouts of air and hydronic distribution systems. Present each system with single-line diagram and include the following:
1. Quantities of outdoor, supply, return, and exhaust airflows.
 2. Water and steam flow rates.
 3. Duct, outlet, and inlet sizes.
 4. Pipe and valve sizes and locations.
 5. Terminal units.
 6. Balancing stations.
 7. Position of balancing devices.
- E. Air-Handling-Unit Test Reports: For air-handling units with coils, include the following:
1. Unit Data:
 - a. Unit identification.
 - b. Location.
 - c. Make and type.
 - d. Model number and unit size.
 - e. Manufacturer's serial number.
 - f. Unit arrangement and class.
 - g. Discharge arrangement.
 - h. Sheave make, size in inches, and bore.
 - i. Center-to-center dimensions of sheave, and amount of adjustments in inches.
 - j. Number, make, and size of belts.
 - k. Number, type, and size of filters.
 2. Motor Data:
 - a. Motor make, and frame type and size.
 - b. Horsepower and rpm.
 - c. Volts, phase, and hertz.
 - d. Full-load amperage and service factor.
 - e. Sheave make, size in inches, and bore.
 - f. Center-to-center dimensions of sheave, and amount of adjustments in inches.
 3. Test Data (Indicated and Actual Values):
 - a. Total air flow rate in cfm.
 - b. Total system static pressure in inches wg.
 - c. Fan rpm.
 - d. Discharge static pressure in inches wg.
 - e. Filter static-pressure differential in inches wg.
 - f. Preheat-coil static-pressure differential in inches wg.

- g. Cooling-coil static-pressure differential in inches wg.
- h. Heating-coil static-pressure differential in inches wg.
- i. Outdoor airflow in cfm.
- j. Return airflow in cfm.
- k. Outdoor-air damper position.
- l. Return-air damper position.
- m. Vortex damper position.

F. Apparatus-Coil Test Reports:

1. Coil Data:

- a. System identification.
- b. Location.
- c. Coil type.
- d. Number of rows.
- e. Fin spacing in fins per inch o.c.
- f. Make and model number.
- g. Face area in sq. ft..
- h. Tube size in NPS.
- i. Tube and fin materials.
- j. Circuiting arrangement.

2. Test Data (Indicated and Actual Values):

- a. Air flow rate in cfm.
- b. Average face velocity in fpm.
- c. Air pressure drop in inches wg.
- d. Outdoor-air, wet- and dry-bulb temperatures in deg F.
- e. Return-air, wet- and dry-bulb temperatures in deg F.
- f. Entering-air, wet- and dry-bulb temperatures in deg F.
- g. Leaving-air, wet- and dry-bulb temperatures in deg F.
- h. Water flow rate in gpm.
- i. Water pressure differential in feet of head or psig.
- j. Entering-water temperature in deg F.
- k. Leaving-water temperature in deg F.
- l. Refrigerant expansion valve and refrigerant types.
- m. Refrigerant suction pressure in psig.
- n. Refrigerant suction temperature in deg F.
- o. Inlet steam pressure in psig.

G. Fan Test Reports: For supply, return, and exhaust fans, include the following:

1. Fan Data:

- a. System identification.
- b. Location.
- c. Make and type.
- d. Model number and size.
- e. Manufacturer's serial number.
- f. Arrangement and class.
- g. Sheave make, size in inches, and bore.

2. Test Data (Indicated and Actual Values):
 - a. Air flow rate in cfm.
 - b. Air velocity in fpm.
 - c. Preliminary air flow rate as needed in cfm.
 - d. Preliminary velocity as needed in fpm.
 - e. Final air flow rate in cfm.
 - f. Final velocity in fpm.
 - g. Space temperature in deg F.

- J. System-Coil Reports: For reheat coils and water coils of terminal units, include the following:
 1. Unit Data:
 - a. System and air-handling-unit identification.
 - b. Location and zone.
 - c. Room or riser served.
 - d. Coil make and size.
 - e. Flowmeter type.

 2. Test Data (Indicated and Actual Values):
 - a. Air flow rate in cfm.
 - b. Entering-water temperature in deg F.
 - c. Leaving-water temperature in deg F.
 - d. Water pressure drop in feet of head or psig.
 - e. Entering-air temperature in deg F.
 - f. Leaving-air temperature in deg F.

- K. Pump Test Reports: Calculate impeller size by plotting the shutoff head on pump curves and include the following:
 1. Unit Data:
 - a. Unit identification.
 - b. Location.
 - c. Service.
 - d. Make and size.
 - e. Model number and serial number.
 - f. Water flow rate in gpm.
 - g. Water pressure differential in feet of head or psig.
 - h. Required net positive suction head in feet of head or psig.
 - i. Pump rpm.
 - j. Impeller diameter in inches.
 - k. Motor make and frame size.
 - l. Motor horsepower and rpm.
 - m. Voltage at each connection.
 - n. Amperage for each phase.
 - o. Full-load amperage and service factor.
 - p. Seal type.

2. Test Data (Indicated and Actual Values):
 - a. Static head in feet of head or psig.
 - b. Pump shutoff pressure in feet of head or psig.
 - c. Actual impeller size in inches.
 - d. Full-open flow rate in gpm.
 - e. Full-open pressure in feet of head or psig.
 - f. Final discharge pressure in feet of head or psig.
 - g. Final suction pressure in feet of head or psig.
 - h. Final total pressure in feet of head or psig.
 - i. Final water flow rate in gpm.
 - j. Voltage at each connection.
 - k. Amperage for each phase.

L. Instrument Calibration Reports:

1. Report Data:
 - a. Instrument type and make.
 - b. Serial number.
 - c. Application.
 - d. Dates of use.
 - e. Dates of calibration.

3.20 INSPECTIONS

A. Initial Inspection:

1. After testing and balancing are complete, operate each system and randomly check measurements to verify that the system is operating according to the final test and balance readings documented in the final report.
2. Check the following for each system:
 - a. Measure airflow of at least **10** percent of air outlets.
 - b. Measure water flow of at least **5** percent of terminals.
 - c. Measure room temperature at each thermostat/temperature sensor. Compare the reading to the set point.
 - d. Verify that balancing devices are marked with final balance position.
 - e. Note deviations from the Contract Documents in the final report.

B. Final Inspection:

1. After initial inspection is complete and documentation by random checks verifies that testing and balancing are complete and accurately documented in the final report, request that a final inspection be made by:
 - a. **Architect**.
2. The TAB contractor's test and balance engineer shall conduct the inspection in the presence of:
 - a. Architect.
3. The following entity shall randomly select measurements, documented in the final report, to be rechecked. Rechecking shall be limited to either 10 percent

of the total measurements recorded or the extent of measurements that can be accomplished in a normal 8-hour business day:

a. Architect .

4. If rechecks yield measurements that differ from the measurements documented in the final report by more than the tolerances allowed, the measurements shall be noted as "FAILED."
 5. If the number of "FAILED" measurements is greater than 10 percent of the total measurements checked during the final inspection, the testing and balancing shall be considered incomplete and shall be rejected.
- C. TAB Work will be considered defective if it does not pass final inspections. If TAB Work fails, proceed as follows:
1. Recheck all measurements and make adjustments. Revise the final report and balancing device settings to include all changes; resubmit the final report and request a second final inspection.
 2. If the second final inspection also fails, Owner may contract the services of another TAB contractor to complete TAB Work according to the Contract Documents and deduct the cost of the services from the original TAB contractor's final payment.
- D. Prepare test and inspection reports.

3.21 ADDITIONAL TESTS

- A. Within **90 days** of completing TAB, perform additional TAB to verify that balanced conditions are being maintained throughout and to correct unusual conditions.
- B. Seasonal Periods: If initial TAB procedures were not performed during near-peak summer and winter conditions, perform additional TAB during near-peak summer and winter conditions.

END OF SECTION

THIS PAGE INTENTIONALLY LEFT BLANK

SECTION 23 07 13 - DUCT INSULATION

PART 1 - GENERAL

1.1 RELATED DOCUMENTS

- A. Drawings and general provisions of the Contract, including General and Supplementary Conditions and Division 01 Specification Sections, apply to this Section.

1.2 SUMMARY

- A. Section includes insulating the following duct services:

- 1. Indoor, concealed supply and outdoor air.
- 2. Indoor, exposed supply and outdoor air.

- B. Related Sections:

- 1. Section 230716 "HVAC Equipment Insulation."
- 2. Section 230719 "HVAC Piping Insulation."
- 3. Section 233113 "Metal Ducts" for duct liners.

1.3 ACTION SUBMITTALS

- A. Product Data: For each type of product indicated. Include thermal conductivity, water-vapor permeance thickness, and jackets (both factory- and field-applied if any).

- B. Shop Drawings: Include plans, elevations, sections, details, and attachments to other work.

- 1. Detail application of protective shields, saddles, and inserts at hangers for each type of insulation and hanger.
- 2. Detail insulation application at elbows, fittings, dampers, specialties and flanges for each type of insulation.
- 3. Detail application of field-applied jackets.
- 4. Detail application at linkages of control devices.

1.4 INFORMATIONAL SUBMITTALS

- A. Qualification Data: For qualified Installer.

- B. Material Test Reports: From a qualified testing agency acceptable to authorities having jurisdiction indicating, interpreting, and certifying test results for compliance of insulation materials, sealers, attachments, cements, and jackets, with requirements indicated. Include dates of tests and test methods employed.

- C. Field quality-control reports.

1.5 QUALITY ASSURANCE

- A. Installer Qualifications: Skilled mechanics who have successfully completed an apprenticeship program or another craft training program certified by the Department of Labor, Bureau of Apprenticeship and Training.
- B. Surface-Burning Characteristics: For insulation and related materials, as determined by testing identical products according to ASTM E 84, by a testing agency acceptable to authorities having jurisdiction. Factory label insulation and jacket materials and adhesive, mastic, tapes, and cement material containers, with appropriate markings of applicable testing agency.
 - 1. Insulation Installed Indoors: Flame-spread index of **25** or less, and smoke-developed index of 50 or less.
 - 2. Insulation Installed Outdoors: Flame-spread index of **75** or less, and smoke-developed index of 150 or less.

1.6 DELIVERY, STORAGE, AND HANDLING

- A. Packaging: Insulation material containers shall be marked by manufacturer with appropriate ASTM standard designation, type and grade, and maximum use temperature.

1.7 COORDINATION

- A. Coordinate sizes and locations of supports, hangers, and insulation shields specified in Section 230529 "Hangers and Supports for HVAC Piping and Equipment."
- B. Coordinate clearance requirements with duct Installer for duct insulation application. Before preparing ductwork Shop Drawings, establish and maintain clearance requirements for installation of insulation and field-applied jackets and finishes and for space required for maintenance.
- C. Coordinate installation and testing of heat tracing.

1.8 SCHEDULING

- A. Schedule insulation application after pressure testing systems and, where required, after installing and testing heat tracing. Insulation application may begin on segments that have satisfactory test results.
- B. Complete installation and concealment of plastic materials as rapidly as possible in each area of construction.

PART 2 - PRODUCTS

2.1 INSULATION MATERIALS

- A. Comply with requirements in "Duct Insulation Schedule, General," "Indoor Duct and Plenum Insulation Schedule," and "Aboveground, Outdoor Duct and Plenum Insulation Schedule" articles for where insulating materials shall be applied.
- B. Products shall not contain asbestos, lead, mercury, or mercury compounds.
- C. Products that come in contact with stainless steel shall have a leachable chloride content of less than 50 ppm when tested according to ASTM C 871.
- D. Insulation materials for use on austenitic stainless steel shall be qualified as acceptable according to ASTM C 795.
- E. Foam insulation materials shall not use CFC or HCFC blowing agents in the manufacturing process.
- F. Flexible Elastomeric Insulation: Closed-cell, sponge- or expanded-rubber materials. Comply with ASTM C 534, Type II for sheet materials.
1. Products: Subject to compliance with requirements, provide one of the following:
 - a. Aeroflex USA, Inc.; Aerocel.
 - b. Armacell LLC; AP Armaflex.
 - c. K-Flex USA; Insul-Sheet, K-Flex Gray Duct Liner, and K-FLEX LS.
- G. Mineral-Fiber Blanket Insulation: Mineral or glass fibers bonded with a thermosetting resin. Comply with ASTM C 553, Type II and ASTM C 1290, **Type III with factory-applied FSK jacket**. Factory-applied jacket requirements are specified in "Factory-Applied Jackets" Article.
1. Products: Subject to compliance with requirements, provide one of the following:
 - a. CertainTeed Corp.; SoftTouch Duct Wrap.
 - b. Johns Manville; Microlite.
 - c. Knauf Insulation; Friendly Feel Duct Wrap.
 - d. Manson Insulation Inc.; Alley Wrap.
 - e. Owens Corning; SOFTR All-Service Duct Wrap.
- H. Mineral-Fiber Board Insulation: Mineral or glass fibers bonded with a thermosetting resin. Comply with ASTM C 612, Type IA or Type IB. For duct and plenum applications, provide insulation **with factory-applied ASJ**. Factory-applied jacket requirements are specified in "Factory-Applied Jackets" Article.
1. Products: Subject to compliance with requirements, provide one of the following:
 - a. CertainTeed Corp.; Commercial Board.
 - b. Fibrex Insulations Inc.; FBX.

- c. Johns Manville; 800 Series Spin-Glas.
- d. Knauf Insulation; Insulation Board.
- e. Manson Insulation Inc.; AK Board.
- f. Owens Corning; Fiberglas 700 Series.

2.2 FIRE-RATED INSULATION SYSTEMS

- A. Fire-Rated Board: Structural-grade, press-molded, xonolite calcium silicate, fireproofing board suitable for operating temperatures up to **1700 deg F**. Comply with ASTM C 656, Type II, Grade 6. Tested and certified to provide a:
 - a. 2-hour fire rating by an NRTL acceptable to authorities having jurisdiction
- 1. Products: Subject to compliance with requirements, provide the following :
 - a. Johns Manville; Super Firetemp M.
- B. Fire-Rated Blanket: High-temperature, flexible, blanket insulation with FSK jacket that is tested and certified to provide a:
 - a. **2**-hour fire rating by an NRTL acceptable to authorities
- 1. Products: Subject to compliance with requirements, provide one of the following :
 - a. CertainTeed Corp.; FlameChek.
 - b. Johns Manville; Firetemp Wrap.
 - c. Nelson Fire Stop Products; Nelson FSB Flameshield Blanket.
 - d. Thermal Ceramics; FireMaster Duct Wrap.
 - e. 3M; Fire Barrier Wrap Products.
 - f. Unifrax Corporation; FyreWrap.

2.3 ADHESIVES

- A. Materials shall be compatible with insulation materials, jackets, and substrates and for bonding insulation to itself and to surfaces to be insulated unless otherwise indicated.
- B. Flexible Elastomeric and Polyolefin Adhesive: Comply with MIL-A-24179A, Type II, Class I.
 - 1. Products: Subject to compliance with requirements, provide one of the following:
 - a. Aeroflex USA, Inc.; Aeroseal.
 - b. Armacell LLC; Armaflex 520 Adhesive.
 - c. Foster Brand, Specialty Construction Brands, Inc., a business of H. B. Fuller Company; 85-75.
 - d. K-Flex USA; R-373 Contact Adhesive.
 - 2. For indoor applications, adhesive shall have a VOC content of 50 g/L or less when calculated according to 40 CFR 59, Subpart D (EPA Method 24).
- C. Mineral-Fiber Adhesive: Comply with MIL-A-3316C, Class 2, Grade A.
 - 1. Products: Subject to compliance with requirements, provide one of the following:

- a. Childers Brand, Specialty Construction Brands, Inc., a business of H. B. Fuller Company; CP-127.
 - b. Eagle Bridges - Marathon Industries; 225.
 - c. Foster Brand, Specialty Construction Brands, Inc., a business of H. B. Fuller Company; 85-60/85-70.
 - d. Mon-Eco Industries, Inc.; 22-25.
2. For indoor applications, adhesive shall have a VOC content of 80 g/L or less when calculated according to 40 CFR 59, Subpart D (EPA Method 24).
- D. FSK Jacket Adhesive, and ASJ Adhesive: Comply with MIL-A-3316C, Class 2, Grade A for bonding insulation jacket lap seams and joints.
1. Products: Subject to compliance with requirements, **provide one of the following:**
 - a. Childers Brand, Specialty Construction Brands, Inc., a business of H. B. Fuller Company; CP-82.
 - b. Eagle Bridges - Marathon Industries; 225.
 - c. Foster Brand, Specialty Construction Brands, Inc., a business of H. B. Fuller Company; 85-50.
 - d. Mon-Eco Industries, Inc.; 22-25.
 2. For indoor applications, adhesive shall have a VOC content of **50** g/L or less when calculated according to 40 CFR 59, Subpart D (EPA Method 24).

2.4 MASTICS

- A. Materials shall be compatible with insulation materials, jackets, and substrates; comply with MIL-PRF-19565C, Type II.
1. For indoor applications, use mastics that have a VOC content of 50 g/L or less when calculated according to 40 CFR 59, Subpart D (EPA Method 24).
- B. Vapor-Barrier Mastic: Water based; suitable for indoor use on below ambient services.
1. Products: Subject to compliance with requirements, provide one of the following:
 - a. Foster Brand, Specialty Construction Brands, Inc., a business of H. B. Fuller Company; 30-80/30-90.
 - b. Vimasco Corporation; 749.
 2. Water-Vapor Permeance: ASTM E 96/E 96M, Procedure B, **0.013 perm** at **43-mil** dry film thickness.
 3. Service Temperature Range: **Minus 20 to plus 180 deg F.**
 4. Solids Content: ASTM D 1644, **58 percent** by volume and **70 percent** by weight.
 5. Color: White.
- C. Breather Mastic: Water based; suitable for indoor and outdoor use on above ambient services.

1. Products: Subject to compliance with requirements, provide one of the following:
 - a. Childers Brand, Specialty Construction Brands, Inc., a business of H. B. Fuller Company; CP-10.
 - b. Eagle Bridges - Marathon Industries; 550.
 - c. Foster Brand, Specialty Construction Brands, Inc., a business of H. B. Fuller Company; 46-50.
 - d. Mon-Eco Industries, Inc.; 55-50.
 - e. Vimasco Corporation; WC-1/WC-5.
2. Water-Vapor Permeance: ASTM F 1249, **1.8 perms** at **0.0625-inch** dry film thickness.
3. Service Temperature Range: **Minus 20 to plus 180 deg F.**
4. Solids Content: **60 percent** by volume and **66 percent** by weight.
5. Color: White.

2.5 LAGGING ADHESIVES

- A. Description: Comply with MIL-A-3316C, Class I, Grade A and shall be compatible with insulation materials, jackets, and substrates.
 1. For indoor applications, use lagging adhesives that have a VOC content of **50 g/L** or less when calculated according to 40 CFR 59, Subpart D (EPA Method 24).
 2. Products: Subject to compliance with requirements, provide one of the following:
 - a. Childers Brand, Specialty Construction Brands, Inc., a business of H. B. Fuller Company; CP-50 AHV2.
 - b. Foster Brand, Specialty Construction Brands, Inc., a business of H. B. Fuller Company; 30-36.
 - c. Vimasco Corporation; 713 and 714.
 3. Fire-resistant, water-based lagging adhesive and coating for use indoors to adhere fire-resistant lagging cloths over duct insulation.
 4. Service Temperature Range: **0 to plus 180 deg F.**
 5. Color: White.

2.6 SEALANTS

- A. FSK and Metal Jacket Flashing Sealants:
 1. Products: Subject to compliance with requirements, provide one of the following:
 - a. Childers Brand, Specialty Construction Brands, Inc., a business of H. B. Fuller Company; CP-76.
 - b. Eagle Bridges - Marathon Industries; 405.
 - c. Foster Brand, Specialty Construction Brands, Inc., a business of H. B. Fuller Company; 95-44.
 - d. Mon-Eco Industries, Inc.; 44-05.

2. Materials shall be compatible with insulation materials, jackets, and substrates.
3. Fire- and water-resistant, flexible, elastomeric sealant.
4. Service Temperature Range: **Minus 40 to plus 250 deg F.**
5. Color: Aluminum.
6. For indoor applications, sealants shall have a VOC content of **420 g/L** or less when calculated according to 40 CFR 59, Subpart D (EPA Method 24).

2.7 FACTORY-APPLIED JACKETS

- A. Insulation system schedules indicate factory-applied jackets on various applications. When factory-applied jackets are indicated, comply with the following:
 1. FSK Jacket: Aluminum-foil, fiberglass-reinforced scrim with kraft-paper backing; complying with ASTM C 1136, Type II.

2.8 FIELD-APPLIED JACKETS

- A. Field-applied jackets shall comply with ASTM C 921, Type I, unless otherwise indicated.
- B. FSK Jacket: Aluminum-foil-face, fiberglass-reinforced scrim with kraft-paper backing.
- C. Metal Jacket:
 1. Products: Subject to compliance with requirements, provide one of the following:
 - a. Childers Brand, Specialty Construction Brands, Inc., a business of H. B. Fuller Company; Metal Jacketing Systems.
 - b. ITW Insulation Systems; Aluminum and Stainless Steel Jacketing.
 - c. RPR Products, Inc.; Insul-Mate.
 2. Aluminum Jacket: Comply with **ASTM B 209**, Alloy 3003, 3005, 3105, or 5005, Temper H-14.
 - a. **Sheet and roll stock ready for shop or field sizing**
 - b. Finish and thickness are indicated in field-applied jacket schedules.
 - c. Moisture Barrier for Indoor Applications: **3-mil-thick, heat-bonded polyethylene and kraft paper.**
 - d. Moisture Barrier for Outdoor Applications: **3-mil-thick, heat-bonded polyethylene and kraft.**

2.9 TAPES

- A. FSK Tape: Foil-face, vapor-retarder tape matching factory-applied jacket with acrylic adhesive; complying with ASTM C 1136.
 1. Products: Subject to compliance with requirements, provide one of the following:
 - a. ABI, Ideal Tape Division; 491 AWF FSK.
 - b. Avery Dennison Corporation, Specialty Tapes Division; Fasson 0827.

- c. Compac Corporation; 110 and 111.
 - d. Venture Tape; 1525 CW NT, 1528 CW, and 1528 CW/SQ.
2. Width: **3 inches**.
 3. Thickness: **6.5 mils**.
 4. Adhesion: **90 ounces force/inch** in width.
 5. Elongation: **2** percent.
 6. Tensile Strength: **40 lbf/inch** in width.
 7. FSK Tape Disks and Squares: Precut disks or squares of FSK tape.
- B. Aluminum-Foil Tape: Vapor-retarder tape with acrylic adhesive.
1. Products: Subject to compliance with requirements, provide one of the following:
 - a. ABI, Ideal Tape Division; 488 AWF.
 - b. Avery Dennison Corporation, Specialty Tapes Division; Fasson 0800.
 - c. Compac Corporation; 120.
 - d. Venture Tape; 3520 CW.
 2. Width: **2 inches**.
 3. Thickness: **3.7 mils**.
 4. Adhesion: **100 ounces force/inch** in width.
 5. Elongation: **5** percent.
 6. Tensile Strength: **34 lbf/inch** in width.

2.10 SECUREMENTS

- A. Bands:
1. Products: Subject to compliance with requirements, provide one of the following:
 - a. ITW Insulation Systems; Gerrard Strapping and Seals.
 - b. RPR Products, Inc.; Insul-Mate Strapping, Seals, and Springs.
 2. Aluminum: **ASTM B 209**, Alloy 3003, 3005, 3105, or 5005; Temper H-14, **0.020 inch** thick, **3/4 inch** wide with **wing seal**.
 3. Springs: Twin spring set constructed of stainless steel with ends flat and slotted to accept metal bands. Spring size determined by manufacturer for application.
- B. Insulation Pins and Hangers:
1. Capacitor-Discharge-Weld Pins: Copper- or zinc-coated steel pin, fully annealed for capacitor-discharge welding, **0.135-inch**-diameter shank, length to suit depth of insulation indicated.
 - a. Products: Subject to compliance with requirements, provide one of the following:
 - 1) AGM Industries, Inc.; CWP-1.
 - 2) GEMCO; CD.
 - 3) Midwest Fasteners, Inc.; CD.
 - 4) Nelson Stud Welding; TPA, TPC, and TPS.

2. Cupped-Head, Capacitor-Discharge-Weld Pins: Copper- or zinc-coated steel pin, fully annealed for capacitor-discharge welding, **0.135-inch**- diameter shank, length to suit depth of insulation indicated with integral **1-1/2-inch** galvanized carbon-steel washer.
 - a. Products: Subject to compliance with requirements, provide one of the following:
 - 1) AGM Industries, Inc.; CHP-1.
 - 2) GEMCO; Cupped Head Weld Pin.
 - 3) Midwest Fasteners, Inc.; Cupped Head.
 - 4) Nelson Stud Welding; CHP.
3. Metal, Adhesively Attached, Perforated-Base Insulation Hangers: Baseplate welded to projecting spindle that is capable of holding insulation, of thickness indicated, securely in position indicated when self-locking washer is in place. Comply with the following requirements:
 - a. Products: Subject to compliance with requirements, provide one of the following:
 - 1) AGM Industries, Inc.; Tactoo Perforated Base Insul-Hangers.
 - 2) GEMCO; Perforated Base.
 - 3) Midwest Fasteners, Inc.; Spindle.
 - b. Baseplate: Perforated, galvanized carbon-steel sheet, **0.030 inch** thick by **2 inches** square.
 - c. Spindle: **Copper- or zinc-coated, low-carbon steel** fully annealed, **0.106-inch**- diameter shank, length to suit depth of insulation indicated.
 - d. Adhesive: Recommended by hanger manufacturer. Product with demonstrated capability to bond insulation hanger securely to substrates indicated without damaging insulation, hangers, and substrates.
4. Nonmetal, Adhesively Attached, Perforated-Base Insulation Hangers: Baseplate fastened to projecting spindle that is capable of holding insulation, of thickness indicated, securely in position indicated when self-locking washer is in place. Comply with the following requirements:
 - a. Products: Subject to compliance with requirements, provide one of the following:
 - 1) GEMCO; Nylon Hangers.
 - 2) Midwest Fasteners, Inc.; Nylon Insulation Hangers.
 - b. Baseplate: Perforated, nylon sheet, **0.030 inch** thick by **1-1/2 inches** in diameter.
 - c. Spindle: Nylon, **0.106-inch**- diameter shank, length to suit depth of insulation indicated, up to **2-1/2 inches**.
 - d. Adhesive: Recommended by hanger manufacturer. Product with demonstrated capability to bond insulation hanger securely to substrates indicated without damaging insulation, hangers, and substrates.

5. Self-Sticking-Base Insulation Hangers: Baseplate welded to projecting spindle that is capable of holding insulation, of thickness indicated, securely in position indicated when self-locking washer is in place. Comply with the following requirements:
 - a. Products: Subject to compliance with requirements, provide one of the following:
 - 1) AGM Industries, Inc.; Tactoo Self-Adhering Insul-Hangers.
 - 2) GEMCO; Peel & Press.
 - 3) Midwest Fasteners, Inc.; Self Stick.
 - b. Baseplate: Galvanized carbon-steel sheet, **0.030 inch** thick by **2 inches** square.
 - c. Spindle: **Copper- or zinc-coated, low-carbon steel**, fully annealed, **0.106-inch-** diameter shank, length to suit depth of insulation indicated.
 - d. Adhesive-backed base with a peel-off protective cover.

PART 3 - EXECUTION

3.1 EXAMINATION

- A. Examine substrates and conditions for compliance with requirements for installation tolerances and other conditions affecting performance of insulation application.
 1. Verify that systems to be insulated have been tested and are free of defects.
 2. Verify that surfaces to be insulated are clean and dry.
- B. Proceed with installation only after unsatisfactory conditions have been corrected.

3.2 PREPARATION

- A. Surface Preparation: Clean and dry surfaces to receive insulation. Remove materials that will adversely affect insulation application.

3.3 GENERAL INSTALLATION REQUIREMENTS

- A. Install insulation materials, accessories, and finishes with smooth, straight, and even surfaces; free of voids throughout the length of ducts and fittings.
- B. Install insulation materials, vapor barriers or retarders, jackets, and thicknesses required for each item of duct system as specified in insulation system schedules.
- C. Install accessories compatible with insulation materials and suitable for the service. Install accessories that do not corrode, soften, or otherwise attack insulation or jacket in either wet or dry state.
- D. Install insulation with longitudinal seams at top and bottom of horizontal runs.

- E. Install multiple layers of insulation with longitudinal and end seams staggered.
- F. Keep insulation materials dry during application and finishing.
- G. Install insulation with tight longitudinal seams and end joints. Bond seams and joints with adhesive recommended by insulation material manufacturer.
- H. Install insulation with least number of joints practical.
- I. Where vapor barrier is indicated, seal joints, seams, and penetrations in insulation at hangers, supports, anchors, and other projections with vapor-barrier mastic.
 - 1. Install insulation continuously through hangers and around anchor attachments.
 - 2. For insulation application where vapor barriers are indicated, extend insulation on anchor legs from point of attachment to supported item to point of attachment to structure. Taper and seal ends at attachment to structure with vapor-barrier mastic.
 - 3. Install insert materials and install insulation to tightly join the insert. Seal insulation to insulation inserts with adhesive or sealing compound recommended by insulation material manufacturer.
- J. Apply adhesives, mastics, and sealants at manufacturer's recommended coverage rate and wet and dry film thicknesses.
- K. Install insulation with factory-applied jackets as follows:
 - 1. Draw jacket tight and smooth.
 - 2. Cover circumferential joints with **3-inch-** wide strips, of same material as insulation jacket. Secure strips with adhesive and outward clinching staples along both edges of strip, spaced **4 inches** o.c.
 - 3. Overlap jacket longitudinal seams at least **1-1/2 inches**. Clean and dry surface to receive self-sealing lap. Staple laps with outward clinching staples along edge at:
 - a. **2 inche** o.c.
 - b. For below ambient services, apply vapor-barrier mastic over staples.
 - 4. Cover joints and seams with tape, according to insulation material manufacturer's written instructions, to maintain vapor seal.
 - 5. Where vapor barriers are indicated, apply vapor-barrier mastic on seams and joints and at ends adjacent to duct flanges and fittings.
- L. Cut insulation in a manner to avoid compressing insulation more than 75 percent of its nominal thickness.
- M. Finish installation with systems at operating conditions. Repair joint separations and cracking due to thermal movement.
- N. Repair damaged insulation facings by applying same facing material over damaged areas. Extend patches at least **4 inches** beyond damaged areas. Adhere, staple, and seal patches similar to butt joints.

3.4 PENETRATIONS

- A. Insulation Installation at Roof Penetrations: Install insulation continuously through roof penetrations.
1. Seal penetrations with flashing sealant.
 2. For applications requiring only indoor insulation, terminate insulation above roof surface and seal with joint sealant. For applications requiring indoor and outdoor insulation, install insulation for outdoor applications tightly joined to indoor insulation ends. Seal joint with joint sealant.
 3. Extend jacket of outdoor insulation outside roof flashing at least **2 inches** below top of roof flashing.
 4. Seal jacket to roof flashing with flashing sealant.
- B. Insulation Installation at Aboveground Exterior Wall Penetrations: Install insulation continuously through wall penetrations.
1. Seal penetrations with flashing sealant.
 2. For applications requiring only indoor insulation, terminate insulation inside wall surface and seal with joint sealant. For applications requiring indoor and outdoor insulation, install insulation for outdoor applications tightly joined to indoor insulation ends. Seal joint with joint sealant.
 3. Extend jacket of outdoor insulation outside wall flashing and overlap wall flashing at least **2 inches**.
 4. Seal jacket to wall flashing with flashing sealant.
- C. Insulation Installation at Interior Wall and Partition Penetrations (That Are Not Fire Rated): Install insulation continuously through walls and partitions.
- D. Insulation Installation at Fire-Rated Wall and Partition Penetrations: Terminate insulation at fire damper sleeves for fire-rated wall and partition penetrations. Externally insulate damper sleeves to match adjacent insulation and overlap duct insulation at least **2 inches**.
1. Comply with requirements in Section 078413 "Penetration Firestopping" firestopping and fire-resistive joint sealers.
- E. Insulation Installation at Floor Penetrations:
1. Duct: For penetrations through fire-rated assemblies, terminate insulation at fire damper sleeves and externally insulate damper sleeve beyond floor to match adjacent duct insulation. Overlap damper sleeve and duct insulation at least **2 inches**.
 2. Seal penetrations through fire-rated assemblies. Comply with requirements in Section 078413 "Penetration Firestopping."

3.5 INSTALLATION OF FLEXIBLE ELASTOMERIC INSULATION

- A. Seal longitudinal seams and end joints with manufacturer's recommended adhesive to eliminate openings in insulation that allow passage of air to surface being insulated.

3.6 INSTALLATION OF MINERAL-FIBER INSULATION

- A. Blanket Insulation Installation on Ducts and Plenums: Secure with adhesive and insulation pins.
1. Apply adhesives according to manufacturer's recommended coverage rates per unit area, for:
 - a. **100** percent coverage of duct and plenum surfaces.
 2. Apply adhesive to entire circumference of ducts and to all surfaces of fittings and transitions.
 3. Install either capacitor-discharge-weld pins and speed washers or cupped-head, capacitor-discharge-weld pins on sides and bottom of horizontal ducts and sides of vertical ducts as follows:
 - a. On duct sides with dimensions **18 inches** and smaller, place pins along longitudinal centerline of duct. Space **3 inches** maximum from insulation end joints, and **16 inches** o.c.
 - b. On duct sides with dimensions larger than **18 inches**, place pins **16 inches** o.c. each way, and **3 inches** maximum from insulation joints. Install additional pins to hold insulation tightly against surface at cross bracing.
 - c. Pins may be omitted from top surface of horizontal, rectangular ducts and plenums.
 - d. Do not overcompress insulation during installation.
 - e. Impale insulation over pins and attach speed washers.
 - f. Cut excess portion of pins extending beyond speed washers or bend parallel with insulation surface. Cover exposed pins and washers with tape matching insulation facing.
 4. For ducts and plenums with surface temperatures below ambient, install a continuous unbroken vapor barrier. Create a facing lap for longitudinal seams and end joints with insulation by removing **2 inches** from one edge and one end of insulation segment. Secure laps to adjacent insulation section with **1/2-inch** outward-clinching staples, **1 inch** o.c. Install vapor barrier consisting of factory- or field-applied jacket, adhesive, vapor-barrier mastic, and sealant at joints, seams, and protrusions.
 - a. Repair punctures, tears, and penetrations with tape or mastic to maintain vapor-barrier seal.
 - b. Install vapor stops for ductwork and plenums operating below **50 deg F** at **18-foot** intervals. Vapor stops shall consist of vapor-barrier mastic applied in a Z-shaped pattern over insulation face, along butt end of insulation, and over the surface. Cover insulation face and surface to be insulated a width equal to two times the insulation thickness, but not less than **3 inches**.
 5. Overlap unfaced blankets a minimum of **2 inches** on longitudinal seams and end joints. At end joints, secure with steel bands spaced a maximum of **18 inches** o.c.
 6. Install insulation on rectangular duct elbows and transitions with a full insulation section for each surface. Install insulation on round and flat-oval duct elbows with individually mitered gores cut to fit the elbow.

7. Insulate duct stiffeners, hangers, and flanges that protrude beyond insulation surface with **6-inch-** wide strips of same material used to insulate duct. Secure on alternating sides of stiffener, hanger, and flange with pins spaced **6 inches** o.c.
- B. Board Insulation Installation on Ducts and Plenums: Secure with adhesive and insulation pins.
1. Apply adhesives according to manufacturer's recommended coverage rates per unit area, for:
 - a. 50 percent coverage of duct and plenum surfaces.
 2. Apply adhesive to entire circumference of ducts and to all surfaces of fittings and transitions.
 3. Install either capacitor-discharge-weld pins and speed washers or cupped-head, capacitor-discharge-weld pins on sides and bottom of horizontal ducts and sides of vertical ducts as follows:
 - a. On duct sides with dimensions **18 inches** and smaller, place pins along longitudinal centerline of duct. Space **3 inches** maximum from insulation end joints, and **16 inches** o.c.
 - b. On duct sides with dimensions larger than **18 inches**, space pins **16 inches** o.c. each way, and **3 inches** maximum from insulation joints. Install additional pins to hold insulation tightly against surface at cross bracing.
 - c. Pins may be omitted from top surface of horizontal, rectangular ducts and plenums.
 - d. Do not overcompress insulation during installation.
 - e. Cut excess portion of pins extending beyond speed washers or bend parallel with insulation surface. Cover exposed pins and washers with tape matching insulation facing.
 4. For ducts and plenums with surface temperatures below ambient, install a continuous unbroken vapor barrier. Create a facing lap for longitudinal seams and end joints with insulation by removing **2 inches** from one edge and one end of insulation segment. Secure laps to adjacent insulation section with **1/2-inch** outward-clinching staples, **1 inch** o.c. Install vapor barrier consisting of factory- or field-applied jacket, adhesive, vapor-barrier mastic, and sealant at joints, seams, and protrusions.
 - a. Repair punctures, tears, and penetrations with tape or mastic to maintain vapor-barrier seal.
 5. Install insulation on rectangular duct elbows and transitions with a full insulation section for each surface. Groove and score insulation to fit as closely as possible to outside and inside radius of elbows. Install insulation on round and flat-oval duct elbows with individually mitered gores cut to fit the elbow.
 6. Insulate duct stiffeners, hangers, and flanges that protrude beyond insulation surface with **6-inch-** wide strips of same material used to insulate duct. Secure on alternating sides of stiffener, hanger, and flange with pins spaced **6 inches** o.c.

3.7 FIELD-APPLIED JACKET INSTALLATION

- A. Where glass-cloth jackets are indicated, install directly over bare insulation or insulation with factory-applied jackets.
1. Draw jacket smooth and tight to surface with **2-inch** overlap at seams and joints.
 2. Embed glass cloth between two **0.062-inch-** thick coats of lagging adhesive.
 3. Completely encapsulate insulation with coating, leaving no exposed insulation.
- B. Where FSK jackets are indicated, install as follows:
1. Draw jacket material smooth and tight.
 2. Install lap or joint strips with same material as jacket.
 3. Secure jacket to insulation with manufacturer's recommended adhesive.
 4. Install jacket with **1-1/2-inch** laps at longitudinal seams and **3-inch-** wide joint strips at end joints.
 5. Seal openings, punctures, and breaks in vapor-retarder jackets and exposed insulation with vapor-barrier mastic.
- C. Where PVC jackets are indicated, install with **1-inch** overlap at longitudinal seams and end joints; for horizontal applications, install with longitudinal seams along top and bottom of tanks and vessels. Seal with manufacturers recommended adhesive.
1. Apply two continuous beads of adhesive to seams and joints, one bead under lap and the finish bead along seam and joint edge.
- D. Where metal jackets are indicated, install with **2-inch** overlap at longitudinal seams and end joints. Overlap longitudinal seams arranged to shed water. Seal end joints with weatherproof sealant recommended by insulation manufacturer. Secure jacket with stainless-steel bands **12 inches** o.c. and at end joints.

3.8 FIRE-RATED INSULATION SYSTEM INSTALLATION

- A. Where fire-rated insulation system is indicated, secure system to ducts and duct hangers and supports to maintain a continuous fire rating.
- B. Insulate duct access panels and doors to achieve same fire rating as duct.
- C. Install firestopping at penetrations through fire-rated assemblies. Fire-stop systems are specified in Section 078413 "Penetration Firestopping."

3.9 FINISHES

- A. Insulation with ASJ, Glass-Cloth, or Other Paintable Jacket Material: Paint jacket with paint system identified below and as specified in Section 099113 "Exterior Painting" and Section 099123 "Interior Painting."
1. Flat Acrylic Finish: **Two** finish coats over a primer that is compatible with jacket material and finish coat paint. Add fungicidal agent to render fabric mildew proof.

- a. Finish Coat Material: Interior, flat, latex-emulsion size.
- B. Flexible Elastomeric Thermal Insulation: After adhesive has fully cured, apply two coats of insulation manufacturer's recommended protective coating.
- C. Color: Final color as selected by Architect. Vary first and second coats to allow visual inspection of the completed Work.
- D. Do not field paint aluminum or stainless-steel jackets.

3.10 FIELD QUALITY CONTROL

- A. Testing Agency:
 - a. Engage a qualified testing agency to perform tests and inspections.
- B. Perform tests and inspections.
- C. Tests and Inspections:
 - 1. Inspect ductwork, randomly selected by Architect, by removing field-applied jacket and insulation in layers in reverse order of their installation. Extent of inspection shall be limited to **one** location for each duct system defined in the "Duct Insulation Schedule, General" Article.
- D. All insulation applications will be considered defective Work if sample inspection reveals noncompliance with requirements.

3.11 DUCT INSULATION SCHEDULE, GENERAL

- A. Plenums and Ducts Requiring Insulation:
 - 1. Indoor, concealed supply and outdoor air.
 - 2. Indoor, exposed supply and outdoor air.
- B. Items Not Insulated:
 - 1. Fibrous-glass ducts.
 - 2. Metal ducts with duct liner of sufficient thickness to comply with energy code and ASHRAE/IESNA 90.1.
 - 3. Factory-insulated flexible ducts.
 - 4. Factory-insulated plenums and casings.
 - 5. Flexible connectors.
 - 6. Vibration-control devices.
 - 7. Factory-insulated access panels and doors.

3.12 Insulation shall have an R value that meets the minimum requirements of the latest International Energy Conservation Code (IECC).

3.13 INDOOR DUCT AND PLENUM INSULATION SCHEDULE

- A. All supply and return ducts and plenums shall be insulated with not less than R-6 insulation.
- B. Concealed, round and flat-oval, supply-air duct insulation shall be **one of** the following:
1. Flexible Elastomeric: **1-1/2 inch** thick.
 2. Mineral-Fiber Blanket: **2 inches** thick and **0.75-lb/cu. ft.** nominal density.
- C. Concealed, round and flat-oval, return-air duct insulation shall be **one of** the following:
1. Flexible Elastomeric: **1-1/2 inch** thick.
 2. Mineral-Fiber Blanket: **2 inches** thick and **0.75-lb/cu. ft.** nominal density.
- D. Concealed, round and flat-oval, exhaust-air duct insulation shall be **one of** the following:
1. Flexible Elastomeric: **1-1/2 inch** thick.
 2. Mineral-Fiber Blanket: **2 inches** thick and **0.75-lb/cu. ft.** nominal density.
- E. Concealed, rectangular, supply-air duct insulation shall be **one of** the following:
1. Flexible Elastomeric: **1-1/2 inch** thick.
 2. Mineral-Fiber Blanket: **2 inches** thick and **0.75-lb/cu. ft.** nominal density.
- F. Concealed, rectangular, return-air duct insulation shall be **one of** the following:
1. Flexible Elastomeric: **1-1/2 inch** thick.
 2. Mineral-Fiber Blanket: **2 inches** thick and **0.75-lb/cu. ft.** nominal density.

END OF SECTION

THIS PAGE INTENTIONALLY LEFT BLANK

SECTION 23 07 16 - HVAC EQUIPMENT INSULATION

PART 1 - GENERAL

1.1 RELATED DOCUMENTS

- A. Drawings and general provisions of the Contract, including General and Supplementary Conditions and Division 01 Specification Sections, apply to this Section.

1.2 SUMMARY

- A. Section includes insulating the following HVAC equipment that is not factory insulated:
 1. Heat exchangers.
 2. Heating, hot-water pumps.
 3. Expansion/compression tanks.
 4. Air separators.
 5. Steam condensate pumps.
- B. Related Sections:
 1. Section 230713 "Duct Insulation."
 2. Section 230719 "HVAC Piping Insulation."

1.3 ACTION SUBMITTALS

- A. Product Data: For each type of product indicated. Include thermal conductivity, water-vapor permeance, thickness, and jackets (both factory- and field-applied if any).
- B. Shop Drawings: Include plans, elevations, sections, details, and attachments to other work.
 1. Detail application of protective shields, saddles, and inserts at hangers for each type of insulation and hanger.
 2. Detail attachment and covering of heat tracing inside insulation.
 3. Detail removable insulation at equipment connections.
 4. Detail application of field-applied jackets.
 5. Detail application at linkages of control devices.
 6. Detail field application for each equipment type.

1.4 INFORMATIONAL SUBMITTALS

- A. Material Test Reports: From a qualified testing agency acceptable to authorities having jurisdiction indicating, interpreting, and certifying test results for compliance of insulation materials, sealers, attachments, cements, and jackets, with requirements indicated. Include dates of tests and test methods employed.

- B. Field quality-control reports.

1.5 QUALITY ASSURANCE

- A. Installer Qualifications: Skilled mechanics who have successfully completed an apprenticeship program or another craft training program certified by the Department of Labor, Bureau of Apprenticeship and Training.
- B. Surface-Burning Characteristics: For insulation and related materials, as determined by testing identical products according to ASTM E 84, by a testing agency acceptable to authorities having jurisdiction. Factory label insulation and jacket materials and adhesive, mastic, tapes, and cement material containers, with appropriate markings of applicable testing agency.
 - 1. Insulation Installed Indoors: Flame-spread index of 25 or less, and smoke-developed index of 50 or less.
 - 2. Insulation Installed Outdoors: Flame-spread index of 75 or less, and smoke-developed index of 150 or less.

1.6 DELIVERY, STORAGE, AND HANDLING

- A. Packaging: Insulation material containers shall be marked by manufacturer with appropriate ASTM standard designation, type and grade, and maximum use temperature.

1.7 COORDINATION

- A. Coordinate clearance requirements with equipment Installer for equipment insulation application.

1.8 SCHEDULING

- A. Schedule insulation application after pressure testing systems and, where required, after installing and testing heat tracing. Insulation application may begin on segments that have satisfactory test results.
- B. Complete installation and concealment of plastic materials as rapidly as possible in each area of construction.

PART 2 - PRODUCTS

2.1 INSULATION MATERIALS

- A. Comply with requirements in "Breeching Insulation Schedule" and "Equipment Insulation Schedule" articles for where insulating materials shall be applied.

- B. Products shall not contain asbestos, lead, mercury, or mercury compounds.
- C. Products that come in contact with stainless steel shall have a leachable chloride content of less than 50 ppm when tested according to ASTM C 871.
- D. Insulation materials for use on austenitic stainless steel shall be qualified as acceptable according to ASTM C 795.
- E. Foam insulation materials shall not use CFC or HCFC blowing agents in the manufacturing process.
- F. Calcium Silicate:
1. Products: Subject to compliance with requirements:
 - a. **Provide the following :**
 - 1) Industrial Insulation Group (IIG); Thermo-12 Gold.
 2. Flat-, curved-, and grooved-block sections of noncombustible, inorganic, hydrous calcium silicate with a non-asbestos fibrous reinforcement. Comply with ASTM C 533, Type I.
- G. Mineral-Fiber Blanket Insulation:
1. Mineral or glass fibers bonded with a thermosetting resin. Comply with ASTM C 553, Type II and ASTM C 1290;
 - a. **Type II with factory-applied vinyl jacket.**
 2. Factory-applied jacket requirements are specified in "Factory-Applied Jackets" Article.
 3. Products: Subject to compliance with requirements, provide one of the following:
 - a. CertainTeed Corp.; SoftTouch Duct Wrap.
 - b. Johns Manville; Microlite.
 - c. Knauf Insulation; Friendly Feel Duct Wrap.
 - d. Manson Insulation Inc.; Alley Wrap.
 - e. Owens Corning; SOFTR All-Service Duct Wrap.
- H. Mineral-Fiber Board Insulation:
1. Mineral or glass fibers bonded with a thermosetting resin. Comply with ASTM C 612, Type IA or Type IB. Provide insulation:
 - a. **With factory-applied ASJ or with factory-applied FSK jacket.**
 2. Factory-applied jacket requirements are specified in "Factory-Applied Jackets" Article.
 3. Products: Subject to compliance with requirements, provide one of the following:
 - a. CertainTeed Corp.; CertaPro Commercial Board.
 - b. Fibrex Insulations Inc.; FBX.
 - c. Johns Manville; 800 Series Spin-Glas.

- d. Knauf Insulation; Insulation Board.
 - e. Manson Insulation Inc.; AK Board.
 - f. Owens Corning; Fiberglas 700 Series.
- i. Mineral-Fiber, Pipe and Tank Insulation: Mineral or glass fibers bonded with a thermosetting resin. Semirigid board material with factory-applied **ASJ** or **FSK jacket** complying with ASTM C 1393, Type II or Type IIIA Category 2, or with properties similar to ASTM C 612, Type IB. Nominal density is **2.5 lb/cu. ft.** or more. Thermal conductivity (k-value) at **100 deg F** is **0.29 Btu x in./h x sq. ft. x deg F** or less. Factory-applied jacket requirements are specified in "Factory-Applied Jackets" Article.
1. Products: Subject to compliance with requirements, provide one of the following:
 - a. CertainTeed Corp.; CrimpWrap.
 - b. Johns Manville; MicroFlex.
 - c. Knauf Insulation; Pipe and Tank Insulation.
 - d. Manson Insulation Inc.; AK Flex.
 - e. Owens Corning; Fiberglas Pipe and Tank Insulation.

2.2 INSULATING CEMENTS

- A. Mineral-Fiber Insulating Cement: Comply with ASTM C 195.
1. Products: Subject to compliance with requirements:
 - a. **Provide the following :**
 - 1) Ramco Insulation, Inc.; Super-Stik.
- B. Mineral-Fiber, Hydraulic-Setting Insulating and Finishing Cement: Comply with ASTM C 449.
1. Products: Subject to compliance with requirements:
 - a. **Provide the following**
 - 1) Ramco Insulation, Inc.; Ramcote 1200 and Quik-Cote.

2.3 ADHESIVES

- A. Materials shall be compatible with insulation materials, jackets, and substrates and for bonding insulation to itself and to surfaces to be insulated unless otherwise indicated.
- B. Calcium Silicate Adhesive: Fibrous, sodium-silicate-based adhesive with a service temperature range of **50 to 800 deg F**.
1. Products: Subject to compliance with requirements, Subject to compliance with requirements, provide one of the following:
 - a. Childers Brand, Specialty Construction Brands, Inc., a business of H. B. Fuller Company; CP-97.
 - b. Eagle Bridges - Marathon Industries; 290.
 - c. Foster Brand, Specialty Construction Brands, Inc., a business of H. B. Fuller Company; 81-27.

- d. Mon-Eco Industries, Inc.; 22-30.
 - e. Vimasco Corporation; 760.
2. For indoor applications, adhesive shall have a VOC content of 80 g/L or less when calculated according to 40 CFR 59, Subpart D (EPA Method 24).
 3. Adhesive shall comply with the testing and product requirements of the California Department of Health Services' "Standard Practice for the Testing of Volatile Organic Emissions from Various Sources Using Small-Scale Environmental Chambers."
- C. Mineral-Fiber Adhesive: Comply with MIL-A-3316C, Class 2, Grade A.
1. Products: Subject to compliance with requirements, provide one of the following:
 - a. Childers Brand, Specialty Construction Brands, Inc., a business of H. B. Fuller Company; CP-127.
 - b. Eagle Bridges - Marathon Industries; 225.
 - c. Foster Brand, Specialty Construction Brands, Inc., a business of H. B. Fuller Company; 85-60/85-70.
 - d. Mon-Eco Industries, Inc.; 22-25.
 2. For indoor applications, adhesive shall have a VOC content of 80 g/L or less when calculated according to 40 CFR 59, Subpart D (EPA Method 24).
 3. Adhesive shall comply with the testing and product requirements of the California Department of Health Services' "Standard Practice for the Testing of Volatile Organic Emissions from Various Sources Using Small-Scale Environmental Chambers."
- D. ASJ Adhesive, and FSK and PVDC Jacket Adhesive: Comply with MIL-A-3316C, Class 2, Grade A for bonding insulation jacket lap seams and joints.
1. Products: Subject to compliance with requirements, provide one of the following:
 - a. Childers Brand, Specialty Construction Brands, Inc., a business of H. B. Fuller Company; CP-82.
 - b. Eagle Bridges - Marathon Industries; 225.
 - c. Foster Brand, Specialty Construction Brands, Inc., a business of H. B. Fuller Company; 85-50.
 - d. Mon-Eco Industries, Inc.; 22-25.
 2. For indoor applications, adhesive shall have a VOC content of 50 g/L or less when calculated according to 40 CFR 59, Subpart D (EPA Method 24).
 3. Adhesive shall comply with the testing and product requirements of the California Department of Health Services' "Standard Practice for the Testing of Volatile Organic Emissions from Various Sources Using Small-Scale Environmental Chambers."
- E. PVC Jacket Adhesive: Compatible with PVC jacket.
1. Products: Subject to compliance with requirements, provide one of the following:
 - a. Dow Corning Corporation; 739, Dow Silicone.

- b. Johns Manville; Zeston Perma-Weld, CEEL-TITE Solvent Welding Adhesive.
 - c. P.I.C. Plastics, Inc.; Welding Adhesive.
 - d. Speedline Corporation; Polyco VP Adhesive.
2. For indoor applications, adhesive shall have a VOC content of 50 g/L or less when calculated according to 40 CFR 59, Subpart D (EPA Method 24).
 3. Adhesive shall comply with the testing and product requirements of the California Department of Health Services' "Standard Practice for the Testing of Volatile Organic Emissions from Various Sources Using Small-Scale Environmental Chambers."

2.4 MASTICS

- A. Materials shall be compatible with insulation materials, jackets, and substrates; comply with MIL-PRF-19565C, Type II.
 1. For indoor applications, use mastics that have a VOC content of 50 g/L or less when calculated according to 40 CFR 59, Subpart D (EPA Method 24).
- B. Vapor-Barrier Mastic: Water based; suitable for indoor and outdoor use on below ambient services.
 1. Products: Subject to compliance with requirements, provide one of the following:
 - a. Foster Brand, Specialty Construction Brands, Inc., a business of H .B. Fuller Company; 30-80/30-90.
 - b. Vimasco Corporation; 749.
 2. Water-Vapor Permeance: ASTM E 96, Procedure B, **0.013 perm** at **43-mil** dry film thickness.
 3. Service Temperature Range: **Minus 20 to plus 180 deg F**.
 4. Solids Content: ASTM D 1644, 58 percent by volume and 70 percent by weight.
 5. Color: White.
- C. Vapor-Barrier Mastic: Solvent based; suitable for indoor use on below ambient services.
 1. Products: Subject to compliance with requirements, provide one of the following:
 - a. Childers Brand, Specialty Construction Brands, Inc., a business of H. B. Fuller Company; CP-30.
 - b. Eagle Bridges - Marathon Industries; 501.
 - c. Foster Brand, Specialty Construction Brands, Inc., a business of H. B. Fuller Company; 30-35.
 - d. Mon-Eco Industries, Inc.; 55-10.
 2. Water-Vapor Permeance: ASTM F 1249, **0.05 perm** at **35-mil** dry film thickness.
 3. Service Temperature Range: **0 to 180 deg F**.
 4. Solids Content: ASTM D 1644, 44 percent by volume and 62 percent by weight.
 5. Color: White.

- D. Vapor-Barrier Mastic: Solvent based; suitable for outdoor use on below ambient services.
1. Products: Subject to compliance with requirements, provide one of the following:
 - a. Childers Brand, Specialty Construction Brands, Inc., a business of H. B. Fuller Company; Encacel.
 - b. Eagle Bridges - Marathon Industries; 570.
 - c. Foster Brand, Specialty Construction Brands, Inc., a business of H. B. Fuller Company; 60-95/60-96.
 2. Water-Vapor Permeance: ASTM F 1249, **0.05 perm** at **30-mil** dry film thickness.
 3. Service Temperature Range: **Minus 50 to plus 220 deg F**.
 4. Solids Content: ASTM D 1644, 33 percent by volume and 46 percent by weight.
 5. Color: White.

2.5 LAGGING ADHESIVES

- A. Description: Comply with MIL-A-3316C, Class I, Grade A and shall be compatible with insulation materials, jackets, and substrates.
1. Products: Subject to compliance with requirements, provide one of the following:
 - a. Childers Brand, Specialty Construction Brands, Inc., a business of H. B. Fuller Company; CP-50 AHV2.
 - b. Foster Brand, Specialty Construction Brands, Inc., a business of H. B. Fuller Company; 30-36.
 - c. Vimasco Corporation; 713 and 714.
 2. Fire-resistant, water-based lagging adhesive and coating for use indoors to adhere fire-resistant lagging cloths over equipment insulation.
 3. Service Temperature Range: **0 to plus 180 deg F**.
 4. Color: White.

2.6 SEALANTS

- A. FSK and Metal Jacket Flashing Sealants:
1. Products: Subject to compliance with requirements, provide one of the following:
 - a. Childers Brand, Specialty Construction Brands, Inc., a business of H. B. Fuller Company; CP-76.
 - b. Eagle Bridges - Marathon Industries; 405.
 - c. Foster Brand, Specialty Construction Brands, Inc., a business of H. B. Fuller Company; 95-44.
 - d. Mon-Eco Industries, Inc.; 44-05.
 2. Materials shall be compatible with insulation materials, jackets, and substrates.
 3. Fire- and water-resistant, flexible, elastomeric sealant.
 4. Service Temperature Range: **Minus 40 to plus 250 deg F**.

5. Color: Aluminum.
6. For indoor applications, sealants shall have a VOC content of 420 g/L or less when calculated according to 40 CFR 59, Subpart D (EPA Method 24).
7. Sealants shall comply with the testing and product requirements of the California Department of Health Services' "Standard Practice for the Testing of Volatile Organic Emissions from Various Sources Using Small-Scale Environmental Chambers."

B. ASJ Flashing Sealants, and Vinyl, PVDC, and PVC Jacket Flashing Sealants:

1. Products: Subject to compliance with requirements:
 - a. **Provide the following :**
 - 1) Childers Brand, Specialty Construction Brands, Inc., a business of H. B. Fuller Company; CP-76.
2. Materials shall be compatible with insulation materials, jackets, and substrates.
3. Fire- and water-resistant, flexible, elastomeric sealant.
4. Service Temperature Range: **Minus 40 to plus 250 deg F.**
5. Color: White.
6. For indoor applications, sealants shall have a VOC content of 420 g/L or less when calculated according to 40 CFR 59, Subpart D (EPA Method 24).
7. Sealants shall comply with the testing and product requirements of the California Department of Health Services' "Standard Practice for the Testing of Volatile Organic Emissions from Various Sources Using Small-Scale Environmental Chambers."

2.7 FACTORY-APPLIED JACKETS

- A. Insulation system schedules indicate factory-applied jackets on various applications. When factory-applied jackets are indicated, comply with the following:
1. ASJ: White, kraft-paper, fiberglass-reinforced scrim with aluminum-foil backing; complying with ASTM C 1136, Type I.
 2. ASJ-SSL: ASJ with self-sealing, pressure-sensitive, acrylic-based adhesive covered by a removable protective strip; complying with ASTM C 1136, Type I.
 3. FSK Jacket: Aluminum-foil, fiberglass-reinforced scrim with kraft-paper backing; complying with ASTM C 1136, Type II.
 4. FSP Jacket: Aluminum-foil, fiberglass-reinforced scrim with polyethylene backing; complying with ASTM C 1136, Type II.
 5. PVDC Jacket for Indoor Applications: **4-mil-** thick, white PVDC biaxially oriented barrier film with a permeance at **0.02 perm** when tested according to ASTM E 96 and with a flame-spread index of 5 and a smoke-developed index of 20 when tested according to ASTM E 84.
 - a. Products: Subject to compliance with requirements:
 - 1) Provide the following :
 - a) Dow Chemical Company (The); Saran 540 Vapor Retarder Film and Saran 560 Vapor Retarder Film.
 6. PVDC Jacket for Outdoor Applications: **6-mil-** thick, white PVDC biaxially oriented barrier film with a permeance at **0.01 perm** when tested according to

ASTM E 96 and with a flame-spread index of 5 and a smoke-developed index of 25 when tested according to ASTM E 84.

a. Products: Subject to compliance with requirements:

1) Provide the following :

a) Dow Chemical Company (The); Saran 540 Vapor Retarder Film and Saran 560 Vapor Retarder Film.

7. PVDC-SSL Jacket: PVDC jacket with a self-sealing, pressure-sensitive, acrylic-based adhesive covered by a removable protective strip.

a. Products: Subject to compliance with requirements:

1) Provide the following :

a) Dow Chemical Company (The); Saran 540 Vapor Retarder Film and Saran 560 Vapor Retarder Film.

8. Vinyl Jacket: White vinyl with a permeance of **1.3 perms** when tested according to ASTM E 96, Procedure A, and complying with NFPA 90A and NFPA 90B.

2.8 FIELD-APPLIED CLOTHS

A. Woven Glass-Fiber Fabric: Comply with MIL-C-20079H, Type I, plain weave, and presized a minimum of **8 oz./sq. yd.**.

1. Products: Subject to compliance with requirements:

a. Provide the following :

1) Alpha Associates, Inc.; Alpha-Maritex 84215 and 84217/9485RW, Luben 59.

2.9 FIELD-APPLIED JACKETS

A. Field-applied jackets shall comply with ASTM C 921, Type I, unless otherwise indicated.

B. FSK Jacket: Aluminum-foil-face, fiberglass-reinforced scrim with kraft-paper backing.

C. PVC Jacket: High-impact-resistant, UV-resistant PVC complying with ASTM D 1784, Class 16354-C; thickness as scheduled; roll stock ready for shop or field cutting and forming. Thickness is indicated in field-applied jacket schedules.

1. Products: Subject to compliance with requirements, provide one of the following:

- a. Johns Manville; Zeston.
- b. P.I.C. Plastics, Inc.; FG Series.
- c. Proto Corporation; LoSmoke.
- d. Speedline Corporation; SmokeSafe.

2. Adhesive: As recommended by jacket material manufacturer.

3. Color: **White**:

4. Factory-fabricated tank heads and tank side panels.
- D. Metal Jacket:
1. Products: Subject to compliance with requirements, provide one of the following:
 - a. Childers Brand, Specialty Construction Brands, Inc., a business of H. B. Fuller Company; Metal Jacketing Systems.
 - b. ITW Insulation Systems; Aluminum and Stainless Steel Jacketing.
 - c. RPR Products, Inc.; Insul-Mate.
 2. Aluminum Jacket: Comply with **ASTM B 209**, Alloy 3003, 3005, 3105, or 5005, Temper H-14.
 - a. **Sheet and roll stock ready for shop or field sizing.**
 - b. Finish and thickness are indicated in field-applied jacket schedules.
 - c. Moisture Barrier for Indoor Applications:
 - 1) **1-mil-** thick, heat-bonded polyethylene and kraft paper.
 - d. Moisture Barrier for Outdoor Applications:
 - 1) **3-mil-** thick, heat-bonded polyethylene and kraft paper.
 - e. Factory-Fabricated Fitting Covers:
 - 1) Same material, finish, and thickness as jacket.
 - 2) Preformed two-piece or gore, 45- and 90-degree, short- and long-radius elbows.
 - 3) Tee covers.
 - 4) Flange and union covers.
 - 5) End caps.
 - 6) Beveled collars.
 - 7) Valve covers.
 - 8) Field fabricate fitting covers only if factory-fabricated fitting covers are not available.
- E. Self-Adhesive Outdoor Jacket: **60-mil-** thick, laminated vapor barrier and waterproofing membrane for installation over insulation located aboveground outdoors; consisting of a rubberized bituminous resin on a crosslaminated polyethylene film covered with:
1. Facing:
 - a. **White** aluminum-foil.
 2. Products: Subject to compliance with requirements:
 - a. **Provide the following :**
 - 1) Polyguard Products, Inc.; Alumaguard 60.
- F. PVDC Jacket for Indoor Applications: **4-mil-** thick, white PVDC biaxially oriented barrier film with a permeance at **0.02 perm** when tested according to ASTM E 96 and with a flame-spread index of 5 and a smoke-developed index of 20 when tested according to ASTM E 84.

1. Products: Subject to compliance with requirements:
 - a. **Provide the following** :
 - 1) Dow Chemical Company (The), Saran 540 Vapor Retarder Film.
- G. PVDC Jacket for Outdoor Applications: **6-mil-** thick, white PVDC biaxially oriented barrier film with a permeance at **0.01 perm** when tested according to ASTM E 96 and with a flame-spread index of 5 and a smoke-developed index of 25 when tested according to ASTM E 84.
 1. Products: Subject to compliance with requirements:
 - a. **Provide the following** :
 - 1) Dow Chemical Company (The), Saran 560 Vapor Retarder Film.
- H. PVDC-SSL Jacket: PVDC jacket with a self-sealing, pressure-sensitive, acrylic-based adhesive covered by a removable protective strip.
 1. Products: Subject to compliance with requirements:
 - a. **Provide the following** :
 - 1) Dow Chemical Company (The); Saran 540 Vapor Retarder Film and Saran 560 Vapor Retarder Film.

2.10 TAPES

- A. ASJ Tape: White vapor-retarder tape matching factory-applied jacket with acrylic adhesive, complying with ASTM C 1136.
 1. Products: Subject to compliance with requirements, provide one of the following:
 - a. ABI, Ideal Tape Division; 428 AWF ASJ.
 - b. Avery Dennison Corporation, Specialty Tapes Division; Fasson 0836.
 - c. Compac Corporation; 104 and 105.
 - d. Venture Tape; 1540 CW Plus, 1542 CW Plus, and 1542 CW Plus/SQ.
 2. Width: **3 inches**.
 3. Thickness: **11.5 mils**.
 4. Adhesion: **90 ounces force/inch** in width.
 5. Elongation: 2 percent.
 6. Tensile Strength: **40 lbf/inch** in width.
 7. ASJ Tape Disks and Squares: Precut disks or squares of ASJ tape.
- B. FSK Tape: Foil-face, vapor-retarder tape matching factory-applied jacket with acrylic adhesive; complying with ASTM C 1136.
 1. Products: Subject to compliance with requirements, provide one of the following:
 - a. ABI, Ideal Tape Division; 491 AWF FSK.
 - b. Avery Dennison Corporation, Specialty Tapes Division; Fasson 0827.
 - c. Compac Corporation; 110 and 111.
 - d. Venture Tape; 1525 CW NT, 1528 CW, and 1528 CW/SQ.
 2. Width: **3 inches**.

3. Thickness: **6.5 mils**.
 4. Adhesion: **90 ounces force/inch** in width.
 5. Elongation: 2 percent.
 6. Tensile Strength: **40 lbf/inch** in width.
 7. FSK Tape Disks and Squares: Precut disks or squares of FSK tape.
- C. PVC Tape: White vapor-retarder tape matching field-applied PVC jacket with acrylic adhesive; suitable for indoor and outdoor applications.
1. Subject to compliance with requirements, provide one of the following:
 - a. ABI, Ideal Tape Division; 370 White PVC tape.
 - b. Compac Corporation; 130.
 - c. Venture Tape; 1506 CW NS.
 2. Width: **2 inches**.
 3. Thickness: **6 mils**.
 4. Adhesion: **64 ounces force/inch** in width.
 5. Elongation: 500 percent.
 6. Tensile Strength: **18 lbf/inch** in width.
- D. Aluminum-Foil Tape: Vapor-retarder tape with acrylic adhesive.
1. Products: Subject to compliance with requirements, provide one of the following:
 - a. ABI, Ideal Tape Division; 488 AWF.
 - b. Avery Dennison Corporation, Specialty Tapes Division; Fasson 0800.
 - c. Compac Corporation; 120.
 - d. Venture Tape; 3520 CW.
 2. Width: **2 inches**.
 3. Thickness: **3.7 mils**.
 4. Adhesion: **100 ounces force/inch** in width.
 5. Elongation: 5 percent.
 6. Tensile Strength: **34 lbf/inch** in width.
- E. PVDC Tape for Indoor Applications: White vapor-retarder PVDC tape with acrylic adhesive.
1. Products: Subject to compliance with requirements:
 - a. **Provide the following** :
 - 1) Dow Chemical Company (The); Saran 540 Vapor Retarder Tape.
 2. Width: **3 inches**.
 3. Film Thickness: **4 mils**.
 4. Adhesive Thickness: **1.5 mils**.
 5. Elongation at Break: 145 percent.
 6. Tensile Strength: **55 lbf/inch** in width.
- F. PVDC Tape for Outdoor Applications: White vapor-retarder PVDC tape with acrylic adhesive.

1. Products: Subject to compliance with requirements:
 - a. **Provide the following :**
 - 1) Dow Chemical Company (The); Saran 560 Vapor Retarder Tape.
2. Width: **3 inches**.
3. Film Thickness: **6 mils**.
4. Adhesive Thickness: **1.5 mils**.
5. Elongation at Break: 145 percent.
6. Tensile Strength: **55 lbf/inch** in width.

2.11 SECUREMENTS

A. Bands:

1. Products: Subject to compliance with requirements, provide one of the following:
 - a. ITW Insulation Systems; Gerrard Strapping and Seals.
 - b. RPR Products, Inc.; Insul-Mate Strapping, Seals, and Springs.
2. Stainless Steel:
 - a. ASTM A 167 or ASTM A 240,
 - b. Type:
 - 1) **Grade 316**.
 - c. **0.015 inch** thick
 - d. Width:
 - 1) **3/4 inch** .
 - e. Seal:
 - 1) **Wing seal**.
3. Aluminum: **ASTM B 209**, Temper H-14;
 - a. Alloy; 3003, 3005, 3105, or 5005;
 - b. **0.020 inch** thick.
 - c. Width;
 - 1) **3/4 inch**.
 - d. Seal;
 - 1) **Wing seal** .
4. Springs: Twin spring set constructed of stainless steel with ends flat and slotted to accept metal bands. Spring size determined by manufacturer for application.

B. Insulation Pins and Hangers:

1. Capacitor-Discharge-Weld Pins:
 - a. Copper- or zinc-coated steel pin, fully annealed for capacitor-discharge welding, length to suit depth of insulation indicated. Shank diameter;
 - 1) **0.135-inch**-.
 - b. Products: Subject to compliance with requirements, provide one of the following:
 - 1) AGM Industries, Inc.; CWP-1.

- 2) GEMCO; CD.
 - 3) Midwest Fasteners, Inc.; CD.
 - 4) Nelson Stud Welding; TPA, TPC, and TPS.
2. Cupped-Head, Capacitor-Discharge-Weld Pins:
- a. Copper- or zinc-coated steel pin, fully annealed for capacitor-discharge welding, length to suit depth of insulation indicated with integral **1-1/2-inch** galvanized carbon-steel washer. Shank diameter:
 - 1) **0.135-inch**.
 - b. Products: Subject to compliance with requirements, provide one of the following:
 - 1) AGM Industries, Inc.; CHP-1.
 - 2) GEMCO; Cupped Head Weld Pin.
 - 3) Midwest Fasteners, Inc.; Cupped Head.
 - 4) Nelson Stud Welding; CHP.
3. Metal, Adhesively Attached, Perforated-Base Insulation Hangers: Baseplate welded to projecting spindle that is capable of holding insulation, of thickness indicated, securely in position indicated when self-locking washer is in place.
- a. Products: Subject to compliance with requirements, provide one of the following:
 - 1) AGM Industries, Inc.; Tactoo Perforated Base Insul-Hangers.
 - 2) GEMCO; Perforated Base.
 - 3) Midwest Fasteners, Inc.; Spindle.
 - b. Baseplate: Perforated, galvanized carbon-steel sheet, **0.030 inch** thick by **2 inches** square.
 - c. Spindle: Fully annealed, **0.106-inch**- diameter shank, length to suit depth of insulation indicated. Material:
 - 1) **Copper- or zinc-coated, low-carbon steel.**
 - d. Adhesive: Recommended by hanger manufacturer. Product with demonstrated capability to bond insulation hanger securely to substrates indicated without damaging insulation, hangers, and substrates.
4. Nonmetal, Adhesively Attached, Perforated-Base Insulation Hangers: Baseplate fastened to projecting spindle that is capable of holding insulation, of thickness indicated, securely in position indicated when self-locking washer is in place.
- a. Products: Subject to compliance with requirements, provide one of the following:
 - 1) GEMCO; Nylon Hangers.
 - 2) Midwest Fasteners, Inc.; Nylon Insulation Hangers.
 - b. Baseplate: Perforated, nylon sheet, **0.030 inch** thick by **1-1/2 inches** in diameter.
 - c. Spindle: Nylon, **0.106-inch**- diameter shank, length to suit depth of insulation indicated, up to **2-1/2 inches**.

- d. Adhesive: Recommended by hanger manufacturer. Product with demonstrated capability to bond insulation hanger securely to substrates indicated without damaging insulation, hangers, and substrates.
 5. Self-Sticking-Base Insulation Hangers: Baseplate welded to projecting spindle that is capable of holding insulation, of thickness indicated, securely in position indicated when self-locking washer is in place.
 - a. Products: Subject to compliance with requirements, provide one of the following:
 - 1) AGM Industries, Inc.; Tactoo Self-Adhering Insul-Hangers, Series.
 - 2) GEMCO; Peel & Press.
 - 3) Midwest Fasteners, Inc.; Self Stick.
 - b. Baseplate: Galvanized carbon-steel sheet, **0.030 inch** thick by **2 inches** square.
 - c. Spindle: Fully annealed, **0.106-inch-** diameter shank, length to suit depth of insulation indicated. Material;
 - 1) **Copper- or zinc-coated, low-carbon steel.**
 - d. Adhesive-backed base with a peel-off protective cover.
 6. Insulation-Retaining Washers:
 - a. Self-locking washers formed from **0.016-inch-** thick sheet, with beveled edge sized as required to hold insulation securely in place but not less than **1-1/2 inches** in diameter. Material;
 - 1) **Galvanized-steel sheet.**
 - b. Products: Subject to compliance with requirements, provide one of the following:
 - 1) AGM Industries, Inc.; RC-150.
 - 2) GEMCO; R-150.
 - 3) Midwest Fasteners, Inc.; WA-150.
 - 4) Nelson Stud Welding; Speed Clips.
 - c. Protect ends with capped self-locking washers incorporating a spring steel insert to ensure permanent retention of cap in exposed locations.
 7. Nonmetal Insulation-Retaining Washers: Self-locking washers formed from **0.016-inch-** thick nylon sheet, with beveled edge sized as required to hold insulation securely in place but not less than **1-1/2 inches** in diameter.
 - a. Manufacturers: Subject to compliance with requirements, provide one of the following:
 - 1) GEMCO.
 - 2) Midwest Fasteners, Inc.
- C. Staples: Outward-clinching insulation staples, nominal **3/4-inch-** wide, stainless steel or Monel.

- D. Wire:
 - 1. Material;
 - a. **0.080-inch** nickel-copper alloy.
 - 1. Manufacturers: Subject to compliance with requirements:
 - a. **Provide the following :**
 - 1) C & F Wire.

2.12 CORNER ANGLES

- A. PVC Corner Angles: **30 mils** thick, minimum **1 by 1 inch**, PVC according to ASTM D 1784, Class 16354-C. White or color-coded to match adjacent surface.
- B. Aluminum Corner Angles: **0.040 inch** thick, minimum **1 by 1 inch**, aluminum according to **ASTM B 209**, Alloy 3003, 3005, 3105, or 5005; Temper H-14.
- C. Stainless-Steel Corner Angles: **0.024 inch** thick, minimum **1 by 1 inch**, stainless steel according to ASTM A 167 or ASTM A 240, Material Type:
 - 1. **Grade 316 .**

PART 3 - EXECUTION

3.1 EXAMINATION

- A. Examine substrates and conditions for compliance with requirements for installation tolerances and other conditions affecting performance of insulation application.
 - 1. Verify that systems and equipment to be insulated have been tested and are free of defects.
 - 2. Verify that surfaces to be insulated are clean and dry.
- B. Proceed with installation only after unsatisfactory conditions have been corrected.

3.2 PREPARATION

- A. Surface Preparation: Clean and dry surfaces to receive insulation. Remove materials that will adversely affect insulation application.
- B. Coordinate insulation installation with the trade installing heat tracing. Comply with requirements for heat tracing that apply to insulation.
- C. Mix insulating cements with clean potable water; if insulating cements are to be in contact with stainless-steel surfaces, use demineralized water.

3.3 GENERAL INSTALLATION REQUIREMENTS

- A. Install insulation materials, accessories, and finishes with smooth, straight, and even surfaces; free of voids throughout the length of equipment.
- B. Install insulation materials, forms, vapor barriers or retarders, jackets, and thicknesses required for each item of equipment as specified in insulation system schedules.
- C. Install accessories compatible with insulation materials and suitable for the service. Install accessories that do not corrode, soften, or otherwise attack insulation or jacket in either wet or dry state.
- D. Install insulation with longitudinal seams at top and bottom of horizontal runs.
- E. Install multiple layers of insulation with longitudinal and end seams staggered.
- F. Keep insulation materials dry during application and finishing.
- G. Install insulation with tight longitudinal seams and end joints. Bond seams and joints with adhesive recommended by insulation material manufacturer.
- H. Install insulation with least number of joints practical.
- I. Where vapor barrier is indicated, seal joints, seams, and penetrations in insulation at hangers, supports, anchors, and other projections with vapor-barrier mastic.
 - 1. Install insulation continuously through hangers and around anchor attachments.
 - 2. For insulation application where vapor barriers are indicated, extend insulation on anchor legs from point of attachment to supported item to point of attachment to structure. Taper and seal ends at attachment to structure with vapor-barrier mastic.
 - 3. Install insert materials and install insulation to tightly join the insert. Seal insulation to insulation inserts with adhesive or sealing compound recommended by insulation material manufacturer.
 - 4. Cover inserts with jacket material matching adjacent insulation. Install shields over jacket, arranged to protect jacket from tear or puncture by hanger, support, and shield.
- J. Apply adhesives, mastics, and sealants at manufacturer's recommended coverage rate and wet and dry film thicknesses.
- K. Install insulation with factory-applied jackets as follows:
 - 1. Draw jacket tight and smooth.
 - 2. Cover circumferential joints with **3-inch-** wide strips, of same material as insulation jacket. Secure strips with adhesive and outward clinching staples along both edges of strip, spaced **4 inches** o.c.
 - 3. Overlap jacket longitudinal seams at least **1-1/2 inches**. Clean and dry surface to receive self-sealing lap. Staple laps with outward clinching staples along edge at:
 - a. **2 inches o.c.**

- b. For below ambient services, apply vapor-barrier mastic over staples.
 - 4. Cover joints and seams with tape, according to insulation material manufacturer's written instructions, to maintain vapor seal.
 - 5. Where vapor barriers are indicated, apply vapor-barrier mastic on seams and joints.
 - L. Cut insulation in a manner to avoid compressing insulation more than 75 percent of its nominal thickness.
 - M. Finish installation with systems at operating conditions. Repair joint separations and cracking due to thermal movement.
 - N. Repair damaged insulation facings by applying same facing material over damaged areas. Extend patches at least **4 inches** beyond damaged areas. Adhere, staple, and seal patches similar to butt joints.
 - O. For above ambient services, do not install insulation to the following:
 - 1. Vibration-control devices.
 - 2. Testing agency labels and stamps.
 - 3. Nameplates and data plates.
 - 4. Manholes.
 - 5. Handholes.
 - 6. Cleanouts.
- 3.4 Insulation shall have a k value that meets the minimum requirements of the latest International Energy Conservation Code (IECC).
- 3.5 INSTALLATION OF EQUIPMENT, TANK, AND VESSEL INSULATION
- A. Mineral-Fiber, Pipe and Tank Insulation Installation for Tanks and Vessels: Secure insulation with adhesive and anchor pins and speed washers.
 - 1. Apply adhesives according to manufacturer's recommended coverage rates per unit area, for the following coverage of tank and vessel surfaces;
 - a. **100** percent .
 - 2. Groove and score insulation materials to fit as closely as possible to equipment, including contours. Bevel insulation edges for cylindrical surfaces for tight joints. Stagger end joints.
 - 3. Protect exposed corners with secured corner angles.
 - 4. Install adhesively attached or self-sticking insulation hangers and speed washers on sides of tanks and vessels as follows:
 - a. Do not weld anchor pins to ASME-labeled pressure vessels.
 - b. Select insulation hangers and adhesive that are compatible with service temperature and with substrate.
 - c. On tanks and vessels, maximum anchor-pin spacing is **3 inches** from insulation end joints, and **16 inches** o.c. in both directions.

- d. Do not overcompress insulation during installation.
 - e. Cut and miter insulation segments to fit curved sides and domed heads of tanks and vessels.
 - f. Impale insulation over anchor pins and attach speed washers.
 - g. Cut excess portion of pins extending beyond speed washers or bend parallel with insulation surface. Cover exposed pins and washers with tape matching insulation facing.
5. Secure each layer of insulation with stainless-steel or aluminum bands. Select band material compatible with insulation materials.
 6. Where insulation hangers on equipment and vessels are not permitted or practical and where insulation support rings are not provided, install a girdle network for securing insulation. Stretch prestressed aircraft cable around the diameter of vessel and make taut with clamps, turnbuckles, or breather springs. Place one circumferential girdle around equipment approximately **6 inches** from each end. Install wire or cable between two circumferential girdles **12 inches** o.c. Install a wire ring around each end and around outer periphery of center openings, and stretch prestressed aircraft cable radially from the wire ring to nearest circumferential girdle. Install additional circumferential girdles along the body of equipment or tank at a minimum spacing of **48 inches** o.c. Use this network for securing insulation with tie wire or bands.
 7. Stagger joints between insulation layers at least **3 inches**.
 8. Install insulation in removable segments on equipment access doors, manholes, handholes, and other elements that require frequent removal for service and inspection.
 9. Bevel and seal insulation ends around manholes, handholes, ASME stamps, and nameplates.
 10. For equipment with surface temperatures below ambient, apply mastic to open ends, joints, seams, breaks, and punctures in insulation.

3.6 FIELD-APPLIED JACKET INSTALLATION

- A. Where PVC jackets are indicated, install with **1-inch** overlap at longitudinal seams and end joints; for horizontal applications, install with longitudinal seams along top and bottom of tanks and vessels. Seal with manufacturer's recommended adhesive.
 1. Apply two continuous beads of adhesive to seams and joints, one bead under lap and the finish bead along seam and joint edge.
- B. Where metal jackets are indicated, install with **2-inch** overlap at longitudinal seams and end joints. Overlap longitudinal seams arranged to shed water. Seal end joints with weatherproof sealant recommended by insulation manufacturer. Secure jacket with stainless-steel bands **12 inches** o.c. and at end joints.
- C. Where FSK jackets are indicated, install as follows:
 1. Draw jacket material smooth and tight.
 2. Install lap or joint strips with same material as jacket.
 3. Secure jacket to insulation with manufacturer's recommended adhesive.
 4. Install jacket with **1-1/2-inch** laps at longitudinal seams and **3-inch-** wide joint strips at end joints.

5. Seal openings, punctures, and breaks in vapor-retarder jackets and exposed insulation with vapor-barrier mastic.

3.7 EQUIPMENT INSULATION SCHEDULE

- A. Insulation materials and thicknesses are identified below. If more than one material is listed for a type of equipment, selection from materials listed is Contractor's option.
- B. Insulate indoor and outdoor equipment that is not factory insulated.
- C. Steam-to-hot-water converter insulation shall be **one of** the following:
 1. Calcium Silicate: **3 inches** thick.
 2. Mineral-Fiber Board:
 - a. Thickness; **2 inches** .
 - b. Nominal Density:
 - 1) **3-lb/cu. ft.**
 3. Mineral-Fiber Pipe and Tank: **2 inches** thick.
- D. Heating-hot-water expansion/compression tank insulation shall be **one of** the following:
 1. Calcium Silicate: **2 inches** thick.
 2. Mineral-Fiber Board:
 - a. Thickness; **1 inches** .
 - b. Nominal Density:
 - 1) **3-lb/cu. ft.**
 3. Mineral-Fiber Pipe and Tank: **1 inch** thick.
- E. Heating-hot-water air-separator insulation shall be **one of** the following:
 1. Calcium Silicate: **3 inches** thick.
 2. Mineral-Fiber Board:
 - a. Thickness; **2 inches** .
 - b. Nominal Density:
 - 1) **3-lb/cu. ft.**
 3. Mineral-Fiber Pipe and Tank: **2 inches** thick.

3.8 INDOOR, FIELD-APPLIED JACKET SCHEDULE

- A. Install jacket over insulation material. For insulation with factory-applied jacket, install the field-applied jacket over the factory-applied jacket.
- B. If more than one material is listed, selection from materials listed is Contractor's option.
- C. Equipment, Concealed:

1. PVC:
 - a. Color;
 - 1) Plain.
 - b. Thickness;
 - 1) **20 mils.**
2. Aluminum:
 - a. Texture;
 - 1) **Smooth.**
 - b. Thickness;
 - 1) **0.032 inch.**

END OF SECTION

THIS PAGE INTENTIONALLY LEFT BLANK

SECTION 23 07 19 - HVAC PIPING INSULATION

PART 1 - GENERAL

1.1 RELATED DOCUMENTS

- A. Drawings and general provisions of the Contract, including General and Supplementary Conditions and Division 01 Specification Sections, apply to this Section.

1.2 SUMMARY

- A. Section includes insulating the following HVAC piping systems:

1. Condensate drain piping.
2. Chilled-water piping.
3. Heating hot-water piping.
4. Steam and steam condensate piping.
5. Refrigerant suction and hot-gas piping.

- B. Related Sections:

1. Section 230713 "Duct Insulation."
2. Section 230716 "HVAC Equipment Insulation."

1.3 DEFINITIONS:

- A. Refer to Section 230500 "Common Work Results for HVAC".

1.4 ACTION SUBMITTALS

- A. Product Data: For each type of product indicated. Include thermal conductivity, water-vapor permeance thickness, and jackets (both factory and field applied if any).

- B. Shop Drawings: Include plans, elevations, sections, details, and attachments to other work.

1. Detail application of protective shields, saddles, and inserts at hangers for each type of insulation and hanger.
2. Detail attachment and covering of heat tracing inside insulation.
3. Detail insulation application at pipe expansion joints for each type of insulation.
4. Detail insulation application at elbows, fittings, flanges, valves, and specialties for each type of insulation.
5. Detail removable insulation at piping specialties.
6. Detail application of field-applied jackets.
7. Detail application at linkages of control devices.

1.5 INFORMATIONAL SUBMITTALS

- A. Qualification Data: For qualified Installer.
- B. Material Test Reports: From a qualified testing agency acceptable to authorities having jurisdiction indicating, interpreting, and certifying test results for compliance of insulation materials, sealers, attachments, cements, and jackets, with requirements indicated. Include dates of tests and test methods employed.

1.6 QUALITY ASSURANCE

- A. Installer Qualifications: Skilled mechanics who have successfully completed an apprenticeship program or another craft training program certified by the Department of Labor, Bureau of Apprenticeship and Training.
- B. Surface-Burning Characteristics: For insulation and related materials, as determined by testing identical products according to ASTM E 84, by a testing and inspecting agency acceptable to authorities having jurisdiction. Factory label insulation and jacket materials and adhesive, mastic, tapes, and cement material containers, with appropriate markings of applicable testing agency.
 - 1. Insulation Installed Indoors: Flame-spread index of 25 or less, and smoke-developed index of 50 or less.
 - 2. Insulation Installed Outdoors: Flame-spread index of 75 or less, and smoke-developed index of 150 or less.

1.7 DELIVERY, STORAGE, AND HANDLING

- A. Packaging: Insulation material containers shall be marked by manufacturer with appropriate ASTM standard designation, type and grade, and maximum use temperature.

1.8 COORDINATION

- A. Coordinate sizes and locations of supports, hangers, and insulation shields specified in Section 230529 "Hangers and Supports for HVAC Piping and Equipment."
- B. Coordinate clearance requirements with piping Installer for piping insulation application. Before preparing piping Shop Drawings, establish and maintain clearance requirements for installation of insulation and field-applied jackets and finishes and for space required for maintenance.

1.9 SCHEDULING

- A. Schedule insulation application after pressure testing systems and, where required, after installing and testing heat tracing. Insulation application may begin on segments that have satisfactory test results.

- B. Complete installation and concealment of plastic materials as rapidly as possible in each area of construction.

PART 2 - PRODUCTS

2.1 INSULATION MATERIALS

- A. Comply with requirements in "Piping Insulation Schedule, General," "Indoor Piping Insulation Schedule," "Outdoor, Aboveground Piping Insulation Schedule," and "Outdoor, Underground Piping Insulation Schedule" articles for where insulating materials shall be applied.
- B. Insulation for below-ambient service requires a vapor-barrier.
- C. Products shall not contain asbestos, lead, mercury, or mercury compounds.
- D. Products that come in contact with stainless steel shall have a leachable chloride content of less than 50 ppm when tested according to ASTM C 871.
- E. Insulation materials for use on austenitic stainless steel shall be qualified as acceptable according to ASTM C 795.
- F. Foam insulation materials shall not use CFC or HCFC blowing agents in the manufacturing process.
- G. Calcium Silicate:
 - 1. Products: Subject to compliance with requirements, provide the following:
 - a. Industrial Insulation Group (IIG); Thermo-12 Gold.
 - 2. Preformed Pipe Sections: Flat-, curved-, and grooved-block sections of noncombustible, inorganic, hydrous calcium silicate with a non-asbestos fibrous reinforcement. Comply with ASTM C 533, Type I.
 - 3. Flat-, curved-, and grooved-block sections of noncombustible, inorganic, hydrous calcium silicate with a non-asbestos fibrous reinforcement. Comply with ASTM C 533, Type I.
 - 4. Prefabricated Fitting Covers: Comply with ASTM C 450 and ASTM C 585 for dimensions used in preforming insulation to cover valves, elbows, tees, and flanges.
- H. Flexible Elastomeric Insulation: Closed-cell, sponge- or expanded-rubber materials. Comply with ASTM C 534, Type I for tubular materials.
 - 1. Products: Subject to compliance with requirements, provide one of the following:
 - a. Aeroflex USA, Inc.; Aerocel.
 - b. Armacell LLC; AP Armaflex.
 - c. K-Flex USA; Insul-Lock, Insul-Tube, and K-FLEX LS.

- I. Mineral-Fiber Blanket Insulation: Mineral or glass fibers bonded with a thermosetting resin. Comply with ASTM C 553,
 1. Type II and ASTM C 1290, Factory-applied jacket requirements are specified in "Factory-Applied Jackets" Article.
 2. Products: Subject to compliance with requirements, provide one of the following:
 - a. CertainTeed Corp.; SoftTouch Duct Wrap.
 - b. Johns Manville; Microlite.
 - c. Knauf Insulation; Friendly Feel Duct Wrap.
 - d. Manson Insulation Inc.; Alley Wrap.
 - e. Owens Corning; SOFTR All-Service Duct Wrap.
- J. Mineral-Fiber, Preformed Pipe Insulation:
 1. Products: Subject to compliance with requirements, provide one of the following:
 - a. Johns Manville; Micro-Lok.
 - b. Knauf Insulation; 1000-Degree Pipe Insulation.
 - c. Manson Insulation Inc.; Alley-K.
 - d. Owens Corning; Fiberglas Pipe Insulation.
 - e. Type I, **850 deg F** Materials: Mineral or glass fibers bonded with a thermosetting resin. Comply with ASTM C 547, **Type I, Grade A:**
 - 1) with factory-applied ASJ-SSL. Factory-applied jacket requirements are specified in "Factory-Applied Jackets" Article.
- K. Mineral-Fiber, Pipe and Tank Insulation: Mineral or glass fibers bonded with a thermosetting resin. Semirigid board material with factory-applied:
 1. **ASJ** complying with ASTM C 1393, Type II or Type IIIA Category 2, or with properties similar to ASTM C 612, Type IB. Nominal density is **2.5 lb/cu. ft.** or more. Thermal conductivity (k-value) at **100 deg F** is **0.29 Btu x in./h x sq. ft. x deg F** or less. Factory-applied jacket requirements are specified in "Factory-Applied Jackets" Article.
 2. Products: Subject to compliance with requirements, provide one of the following:
 - a. CertainTeed Corp.; CrimpWrap.
 - b. Johns Manville; MicroFlex.
 - c. Knauf Insulation; Pipe and Tank Insulation.
 - d. Manson Insulation Inc.; AK Flex.
 - e. Owens Corning; Fiberglas Pipe and Tank Insulation.
- L. Prefabricated Thermal Insulating Fitting Covers: Comply with ASTM C 450 for dimensions used in preforming insulation to cover valves, elbows, tees, and flanges.

2.2 INSULATING CEMENTS

- A. Mineral-Fiber Insulating Cement: Comply with ASTM C 195.
 1. Products: Subject to compliance with requirements, provide the following:

- a. Ramco Insulation, Inc.; Super-Stik.
- B. Mineral-Fiber, Hydraulic-Setting Insulating and Finishing Cement: Comply with ASTM C 449.
 - 1. Products: Subject to compliance with requirements, provide the following:
 - a. Ramco Insulation, Inc.; Ramcote 1200 and Quik-Cote.

2.3 ADHESIVES

- A. Materials shall be compatible with insulation materials, jackets, and substrates and for bonding insulation to itself and to surfaces to be insulated unless otherwise indicated.
- B. Calcium Silicate Adhesive: Fibrous, sodium-silicate-based adhesive with a service temperature range of **50 to 800 deg F**.
 - 1. Products: Subject to compliance with requirements, provide one of the following:
 - a. Childers Brand, Specialty Construction Brands, Inc., a business of H. B. Fuller Company; CP-97.
 - b. Eagle Bridges - Marathon Industries; 290.
 - c. Foster Brand, Specialty Construction Brands, Inc., a business of H. B. Fuller Company; 81-27.
 - d. Mon-Eco Industries, Inc.; 22-30.
 - e. Vimasco Corporation; 760.
 - 2. For indoor applications, adhesive shall have a VOC content of 80 g/L or less when calculated according to 40 CFR 59, Subpart D (EPA Method 24).
- C. Flexible Elastomeric Adhesive: Comply with MIL-A-24179A, Type II, Class I.
 - 1. Products: Subject to compliance with requirements, provide one of the following:
 - a. Aeroflex USA, Inc.; Aeroseal.
 - b. Armacell LLC; Armaflex 520 Adhesive.
 - c. Foster Brand, Specialty Construction Brands, Inc., a business of H. B. Fuller Company; 85-75.
 - d. K-Flex USA; R-373 Contact Adhesive.
 - 2. For indoor applications, adhesive shall have a VOC content of 50 g/L or less when calculated according to 40 CFR 59, Subpart D (EPA Method 24).
- D. Mineral-Fiber Adhesive: Comply with MIL-A-3316C, Class 2, Grade A.
 - 1. Products: Subject to compliance with requirements, provide one of the following:
 - a. Childers Brand, Specialty Construction Brands, Inc., a business of H. B. Fuller Company; CP-127.
 - b. Eagle Bridges - Marathon Industries; 225.

- c. Foster Brand, Specialty Construction Brands, Inc., a business of H. B. Fuller Company; 85-60/85-70.
 - d. Mon-Eco Industries, Inc.; 22-25.
 2. For indoor applications, adhesive shall have a VOC content of 80 g/L or less when calculated according to 40 CFR 59, Subpart D (EPA Method 24).
- E. ASJ Adhesive, and FSK Jacket Adhesive: Comply with MIL-A-3316C, Class 2, Grade A for bonding insulation jacket lap seams and joints.
 1. Products: Subject to compliance with requirements, provide one of the following:
 - a. Childers Brand, Specialty Construction Brands, Inc., a business of H. B. Fuller Company; CP-82.
 - b. Eagle Bridges - Marathon Industries; 225.
 - c. Foster Brand, Specialty Construction Brands, Inc., a business of H. B. Fuller Company; 85-50.
 - d. Mon-Eco Industries, Inc.; 22-25.
 2. For indoor applications, adhesive shall have a VOC content of 50 g/L or less when calculated according to 40 CFR 59, Subpart D (EPA Method 24).
- F. PVC Jacket Adhesive: Compatible with PVC jacket.
 1. Products: Subject to compliance with requirements, provide one of the following:
 - a. Dow Corning Corporation; 739, Dow Silicone.
 - b. Johns Manville; Zeston Perma-Weld, CEEL-TITE Solvent Welding Adhesive.
 - c. P.I.C. Plastics, Inc.; Welding Adhesive.
 - d. Speedline Corporation; Polyco VP Adhesive.
 2. For indoor applications, adhesive shall have a VOC content of 50 g/L or less when calculated according to 40 CFR 59, Subpart D (EPA Method 24).

2.4 MASTICS

- A. Materials shall be compatible with insulation materials, jackets, and substrates; comply with MIL-PRF-19565C, Type II.
 1. For indoor applications, use mastics that have a VOC content of 50 g/L or less when calculated according to 40 CFR 59, Subpart D (EPA Method 24).
- B. Vapor-Barrier Mastic: Water based; suitable for indoor use on below-ambient services.
 1. Products: Subject to compliance with requirements, provide one of the following:
 - a. Foster Brand, Specialty Construction Brands, Inc., a business of H. B. Fuller Company; 30-80/30-90.
 - b. Vimasco Corporation; 749.

2. Water-Vapor Permeance: ASTM E 96/E 96M, Procedure B, **0.013 perm** at **43-mil** dry film thickness.
 3. Service Temperature Range: **Minus 20 to plus 180 deg F.**
 4. Solids Content: ASTM D 1644, 58 percent by volume and 70 percent by weight.
 5. Color: White.
- C. Vapor-Barrier Mastic: Solvent based; suitable for outdoor use on below-ambient services.
1. Products: Subject to compliance with requirements, provide one of the following:
 - a. Childers Brand, Specialty Construction Brands, Inc., a business of H. B. Fuller Company; Encacel.
 - b. Eagle Bridges - Marathon Industries; 570.
 - c. Foster Brand, Specialty Construction Brands, Inc., a business of H. B. Fuller Company; 60-95/60-96.
 2. Water-Vapor Permeance: ASTM F 1249, **0.05 perm** at **30-mil** dry film thickness.
 3. Service Temperature Range: **Minus 50 to plus 220 deg F.**
 4. Solids Content: ASTM D 1644, 33 percent by volume and 46 percent by weight.
 5. Color: White.
- D. Breather Mastic: Water based; suitable for indoor and outdoor use on above-ambient services.
1. Products: Subject to compliance with requirements, provide one of the following:
 - a. Childers Brand, Specialty Construction Brands, Inc., a business of H. B. Fuller Company; CP-10.
 - b. Eagle Bridges - Marathon Industries; 550.
 - c. Foster Brand, Specialty Construction Brands, Inc., a business of H. B. Fuller Company; 46-50.
 - d. Mon-Eco Industries, Inc.; 55-50.
 - e. Vimasco Corporation; WC-1/WC-5.
 2. Water-Vapor Permeance: ASTM F 1249, **1.8 perms** at **0.0625-inch** dry film thickness.
 3. Service Temperature Range: **Minus 20 to plus 180 deg F.**
 4. Solids Content: 60 percent by volume and 66 percent by weight.
 5. Color: White.

2.5 SEALANTS

- A. ASJ Flashing Sealants and PVC Jacket Flashing Sealants:
1. Products: Subject to compliance with requirements, provide the following:
 - a. Childers Brand, Specialty Construction Brands, Inc., a business of H. B. Fuller Company; CP-76.
 2. Materials shall be compatible with insulation materials, jackets, and substrates.

3. Fire- and water-resistant, flexible, elastomeric sealant.
4. Service Temperature Range: **Minus 40 to plus 250 deg F.**
5. Color: White.
6. For indoor applications, sealants shall have a VOC content of 420 g/L or less when calculated according to 40 CFR 59, Subpart D (EPA Method 24).

2.6 FACTORY-APPLIED JACKETS

- A. Insulation system schedules indicate factory-applied jackets on various applications. When factory-applied jackets are indicated, comply with the following:
1. ASJ-SSL: ASJ with self-sealing, pressure-sensitive, acrylic-based adhesive covered by a removable protective strip; complying with ASTM C 1136, Type I.

2.7 FIELD-APPLIED JACKETS

- A. Field-applied jackets shall comply with ASTM C 921, Type I, unless otherwise indicated.
- B. PVC Jacket: High-impact-resistant, UV-resistant PVC complying with ASTM D 1784, Class 16354-C; thickness as scheduled; roll stock ready for shop or field cutting and forming. Thickness is indicated in field-applied jacket schedules.
1. Products: Subject to compliance with requirements, provide one of the following:
 - a. Johns Manville; Zeston.
 - b. P.I.C. Plastics, Inc.; FG Series.
 - c. Proto Corporation; LoSmoke.
 - d. Speedline Corporation; SmokeSafe.
 2. Adhesive: As recommended by jacket material manufacturer.
 3. Color: Color-code jackets based on system:
 - a. White
 4. Factory-fabricated fitting covers to match jacket if available; otherwise, field fabricate.
 - a. Shapes: 45- and 90-degree, short- and long-radius elbows, tees, valves, flanges, unions, reducers, end caps, soil-pipe hubs, traps, mechanical joints, and P-trap and supply covers for lavatories.
- C. Metal Jacket:
1. Products: Subject to compliance with requirements, **provide one of the following:**
 - a. Childers Brand, Specialty Construction Brands, Inc., a business of H. B. Fuller Company; Metal Jacketing Systems.
 - b. ITW Insulation Systems; Aluminum and Stainless Steel Jacketing.
 - c. RPR Products, Inc.; Insul-Mate.
 2. Aluminum Jacket: Comply with **ASTM B 209**, Alloy 3003, 3005, 3105, or 5005, Temper H-14.

- a. Sheet and roll stock ready for shop or field sizing or factory cut and rolled to size.
- b. Finish and thickness are indicated in field-applied jacket schedules.
- c. Moisture Barrier for Indoor Applications:
 - 1) **1-mil-** thick, heat-bonded polyethylene and kraft paper.
- d. Moisture Barrier for Outdoor Applications:
 - 1) **3-mil-** thick, heat-bonded polyethylene and kraft paper.
- e. Factory-Fabricated Fitting Covers:
 - 1) Same material, finish, and thickness as jacket.
 - 2) Preformed 2-piece or gore, 45- and 90-degree, short- and long-radius elbows.
 - 3) Tee covers.
 - 4) Flange and union covers.
 - 5) End caps.
 - 6) Beveled collars.
 - 7) Valve covers.
 - 8) Field fabricate fitting covers only if factory-fabricated fitting covers are not available.

2.8 TAPES

- A. ASJ Tape: White vapor-retarder tape matching factory-applied jacket with acrylic adhesive, complying with ASTM C 1136.
 1. Products: Subject to compliance with requirements, provide one of the following:
 - a. ABI, Ideal Tape Division; 428 AWF ASJ.
 - b. Avery Dennison Corporation, Specialty Tapes Division; Fasson 0836.
 - c. Compac Corporation; 104 and 105.
 - d. Venture Tape; 1540 CW Plus, 1542 CW Plus, and 1542 CW Plus/SQ.
 2. Width: **3 inches**.
 3. Thickness: **11.5 mils**.
 4. Adhesion: **90 ounces force/inch** in width.
 5. Elongation: 2 percent.
 6. Tensile Strength: **40 lbf/inch** in width.
 7. ASJ Tape Disks and Squares: Precut disks or squares of ASJ tape.
- B. PVC Tape: White vapor-retarder tape matching field-applied PVC jacket with acrylic adhesive; suitable for indoor and outdoor applications.
 1. Products: Subject to compliance with requirements, provide one of the following:
 - a. ABI, Ideal Tape Division; 370 White PVC tape.
 - b. Compac Corporation; 130.
 - c. Venture Tape; 1506 CW NS.
 2. Width: **2 inches**.
 3. Thickness: **6 mils**.
 4. Adhesion: **64 ounces force/inch** in width.

5. Elongation: 500 percent.
6. Tensile Strength: **18 lbf/inch** in width.

2.9 SECUREMENTS

- A. Staples: Outward-clinching insulation staples, nominal **3/4-inch-** wide, stainless steel or Monel.

PART 3 - EXECUTION

3.1 EXAMINATION

- A. Examine substrates and conditions for compliance with requirements for installation tolerances and other conditions affecting performance of insulation application.
 1. Verify that systems to be insulated have been tested and are free of defects.
 2. Verify that surfaces to be insulated are clean and dry.
 3. Proceed with installation only after unsatisfactory conditions have been corrected.

3.2 PREPARATION

- A. Surface Preparation: Clean and dry surfaces to receive insulation. Remove materials that will adversely affect insulation application.
- B. Coordinate insulation installation with the trade installing heat tracing. Comply with requirements for heat tracing that apply to insulation.
- C. Mix insulating cements with clean potable water; if insulating cements are to be in contact with stainless-steel surfaces, use demineralized water.

3.3 GENERAL INSTALLATION REQUIREMENTS

- A. Install insulation materials, accessories, and finishes with smooth, straight, and even surfaces; free of voids throughout the length of piping including fittings, valves, and specialties.
- B. Install insulation materials, forms, vapor barriers or retarders, jackets, and thicknesses required for each item of pipe system as specified in insulation system schedules.
- C. Install accessories compatible with insulation materials and suitable for the service. Install accessories that do not corrode, soften, or otherwise attack insulation or jacket in either wet or dry state.
- D. Install insulation with longitudinal seams at top and bottom of horizontal runs.
- E. Install multiple layers of insulation with longitudinal and end seams staggered.

- F. Do not weld brackets, clips, or other attachment devices to piping, fittings, and specialties.
- G. Keep insulation materials dry during application and finishing.
- H. Install insulation with tight longitudinal seams and end joints. Bond seams and joints with adhesive recommended by insulation material manufacturer.
- I. Install insulation with least number of joints practical.
- J. Where vapor barrier is indicated, seal joints, seams, and penetrations in insulation at hangers, supports, anchors, and other projections with vapor-barrier mastic.
 - 1. Install insulation continuously through hangers and around anchor attachments.
 - 2. For insulation application where vapor barriers are indicated, extend insulation on anchor legs from point of attachment to supported item to point of attachment to structure. Taper and seal ends at attachment to structure with vapor-barrier mastic.
 - 3. Install insert materials and install insulation to tightly join the insert. Seal insulation to insulation inserts with adhesive or sealing compound recommended by insulation material manufacturer.
 - 4. Cover inserts with jacket material matching adjacent pipe insulation. Install shields over jacket, arranged to protect jacket from tear or puncture by hanger, support, and shield.
- K. Apply adhesives, mastics, and sealants at manufacturer's recommended coverage rate and wet and dry film thicknesses.
- L. Install insulation with factory-applied jackets as follows:
 - 1. Draw jacket tight and smooth.
 - 2. Cover circumferential joints with **3-inch-** wide strips, of same material as insulation jacket. Secure strips with adhesive and outward clinching staples along both edges of strip, spaced **4 inches** o.c.
 - 3. Overlap jacket longitudinal seams at least **1-1/2 inches**. Install insulation with longitudinal seams at bottom of pipe. Clean and dry surface to receive self-sealing lap. Staple laps with outward clinching staples along edge at
 - a. **2 inches o.c.**
 - b. For below-ambient services, apply vapor-barrier mastic over staples.
 - 4. Cover joints and seams with tape, according to insulation material manufacturer's written instructions, to maintain vapor seal.
 - 5. Where vapor barriers are indicated, apply vapor-barrier mastic on seams and joints and at ends adjacent to pipe flanges and fittings.
- M. Cut insulation in a manner to avoid compressing insulation more than 75 percent of its nominal thickness.
- N. Finish installation with systems at operating conditions. Repair joint separations and cracking due to thermal movement.

- O. Repair damaged insulation facings by applying same facing material over damaged areas. Extend patches at least **4 inches** beyond damaged areas. Adhere, staple, and seal patches similar to butt joints.
- P. For above-ambient services, do not install insulation to the following:
 - 1. Vibration-control devices.
 - 2. Testing agency labels and stamps.
 - 3. Nameplates and data plates.
 - 4. Manholes.
 - 5. Handholes.
 - 6. Cleanouts.

3.4 PENETRATIONS

- A. Insulation Installation at Roof Penetrations: Install insulation continuously through roof penetrations.
 - 1. Seal penetrations with flashing sealant.
 - 2. For applications requiring only indoor insulation, terminate insulation above roof surface and seal with joint sealant. For applications requiring indoor and outdoor insulation, install insulation for outdoor applications tightly joined to indoor insulation ends. Seal joint with joint sealant.
 - 3. Extend jacket of outdoor insulation outside roof flashing at least **2 inches** below top of roof flashing.
 - 4. Seal jacket to roof flashing with flashing sealant.
- B. Insulation Installation at Underground Exterior Wall Penetrations: Terminate insulation flush with sleeve seal. Seal terminations with flashing sealant.
- C. Insulation Installation at Aboveground Exterior Wall Penetrations: Install insulation continuously through wall penetrations.
 - 1. Seal penetrations with flashing sealant.
 - 2. For applications requiring only indoor insulation, terminate insulation inside wall surface and seal with joint sealant. For applications requiring indoor and outdoor insulation, install insulation for outdoor applications tightly joined to indoor insulation ends. Seal joint with joint sealant.
 - 3. Extend jacket of outdoor insulation outside wall flashing and overlap wall flashing at least **2 inches**.
 - 4. Seal jacket to wall flashing with flashing sealant.
- D. Insulation Installation at Interior Wall and Partition Penetrations (That Are Not Fire Rated): Install insulation continuously through walls and partitions.
- E. Insulation Installation at Fire-Rated Wall and Partition Penetrations: Install insulation continuously through penetrations of fire-rated walls and partitions.
 - 1. Comply with requirements in Section 078413 "Penetration Firestopping" for firestopping and fire-resistive joint sealers.

F. Insulation Installation at Floor Penetrations:

1. Pipe: Install insulation continuously through floor penetrations.
2. Seal penetrations through fire-rated assemblies. Comply with requirements in Section 078413 "Penetration Firestopping."

3.5 GENERAL PIPE INSULATION INSTALLATION

A. Requirements in this article generally apply to all insulation materials except where more specific requirements are specified in various pipe insulation material installation articles.

B. Insulation Installation on Fittings, Valves, Strainers, Flanges, and Unions:

1. Install insulation over fittings, valves, strainers, flanges, unions, and other specialties with continuous thermal and vapor-retarder integrity unless otherwise indicated.
2. Insulate pipe elbows using preformed fitting insulation or mitered fittings made from same material and density as adjacent pipe insulation. Each piece shall be butted tightly against adjoining piece and bonded with adhesive. Fill joints, seams, voids, and irregular surfaces with insulating cement finished to a smooth, hard, and uniform contour that is uniform with adjoining pipe insulation.
3. Insulate tee fittings with preformed fitting insulation or sectional pipe insulation of same material and thickness as used for adjacent pipe. Cut sectional pipe insulation to fit. Butt each section closely to the next and hold in place with tie wire. Bond pieces with adhesive.
4. Insulate valves using preformed fitting insulation or sectional pipe insulation of same material, density, and thickness as used for adjacent pipe. Overlap adjoining pipe insulation by not less than two times the thickness of pipe insulation, or one pipe diameter, whichever is thicker. For valves, insulate up to and including the bonnets, valve stuffing-box studs, bolts, and nuts. Fill joints, seams, and irregular surfaces with insulating cement.
5. Insulate strainers using preformed fitting insulation or sectional pipe insulation of same material, density, and thickness as used for adjacent pipe. Overlap adjoining pipe insulation by not less than two times the thickness of pipe insulation, or one pipe diameter, whichever is thicker. Fill joints, seams, and irregular surfaces with insulating cement. Insulate strainers so strainer basket flange or plug can be easily removed and replaced without damaging the insulation and jacket. Provide a removable reusable insulation cover. For below-ambient services, provide a design that maintains vapor barrier.
6. Insulate flanges and unions using a section of oversized preformed pipe insulation. Overlap adjoining pipe insulation by not less than two times the thickness of pipe insulation, or one pipe diameter, whichever is thicker.
7. Cover segmented insulated surfaces with a layer of finishing cement and coat with a mastic. Install vapor-barrier mastic for below-ambient services and a breather mastic for above-ambient services. Reinforce the mastic with fabric-reinforcing mesh. Trowel the mastic to a smooth and well-shaped contour.
8. For services not specified to receive a field-applied jacket except for flexible elastomeric, install fitted PVC cover over elbows, tees, strainers, valves, flanges, and unions. Terminate ends with PVC end caps. Tape PVC covers to adjoining insulation facing using PVC tape.

9. Stencil or label the outside insulation jacket of each union with the word "union." Match size and color of pipe labels.
- C. Insulate instrument connections for thermometers, pressure gages, pressure temperature taps, test connections, flow meters, sensors, switches, and transmitters on insulated pipes. Shape insulation at these connections by tapering it to and around the connection with insulating cement and finish with finishing cement, mastic, and flashing sealant.
- D. Install removable insulation covers at locations indicated. Installation shall conform to the following:
1. Make removable flange and union insulation from sectional pipe insulation of same thickness as that on adjoining pipe. Install same insulation jacket as adjoining pipe insulation.
 2. When flange and union covers are made from sectional pipe insulation, extend insulation from flanges or union long at least two times the insulation thickness over adjacent pipe insulation on each side of flange or union. Secure flange cover in place with stainless-steel or aluminum bands. Select band material compatible with insulation and jacket.
 3. Construct removable valve insulation covers in same manner as for flanges, except divide the two-part section on the vertical center line of valve body.
 4. When covers are made from block insulation, make two halves, each consisting of mitered blocks wired to stainless-steel fabric. Secure this wire frame, with its attached insulation, to flanges with tie wire. Extend insulation at least **2 inches** over adjacent pipe insulation on each side of valve. Fill space between flange or union cover and pipe insulation with insulating cement. Finish cover assembly with insulating cement applied in two coats. After first coat is dry, apply and trowel second coat to a smooth finish.
 5. Unless a PVC jacket is indicated in field-applied jacket schedules, finish exposed surfaces with a metal jacket.

3.6 INSTALLATION OF CALCIUM SILICATE INSULATION

- A. Insulation Installation on Straight Pipes and Tubes:
1. Secure single-layer insulation with stainless-steel bands at **12-inch** intervals and tighten bands without deforming insulation materials.
 2. Install two-layer insulation with joints tightly butted and staggered at least **3 inches**. Secure inner layer with wire spaced at **12-inch** intervals. Secure outer layer with stainless-steel bands at **12-inch** intervals.
 3. Apply a skim coat of mineral-fiber, hydraulic-setting cement to insulation surface. When cement is dry, apply flood coat of lagging adhesive and press on one layer of glass cloth or tape. Overlap edges at least **1 inch**. Apply finish coat of lagging adhesive over glass cloth or tape. Thin finish coat to achieve smooth, uniform finish.
- B. Insulation Installation on Pipe Flanges:
1. Install preformed pipe insulation to outer diameter of pipe flange.

2. Make width of insulation section same as overall width of flange and bolts, plus twice the thickness of pipe insulation.
3. Fill voids between inner circumference of flange insulation and outer circumference of adjacent straight pipe segments with cut sections of block insulation of same material and thickness as pipe insulation.
4. Finish flange insulation same as pipe insulation.

C. Insulation Installation on Pipe Fittings and Elbows:

1. Install preformed sections of same material as straight segments of pipe insulation when available. Secure according to manufacturer's written instructions.
2. When preformed insulation sections of insulation are not available, install mitered sections of calcium silicate insulation. Secure insulation materials with wire or bands.
3. Finish fittings insulation same as pipe insulation.

D. Insulation Installation on Valves and Pipe Specialties:

1. Install mitered segments of calcium silicate insulation to valve body. Arrange insulation to permit access to packing and to allow valve operation without disturbing insulation.
2. Install insulation to flanges as specified for flange insulation application.
3. Finish valve and specialty insulation same as pipe insulation.

3.7 INSTALLATION OF FLEXIBLE ELASTOMERIC INSULATION

- A. Seal longitudinal seams and end joints with manufacturer's recommended adhesive to eliminate openings in insulation that allow passage of air to surface being insulated.

B. Insulation Installation on Pipe Flanges:

1. Install pipe insulation to outer diameter of pipe flange.
2. Make width of insulation section same as overall width of flange and bolts, plus twice the thickness of pipe insulation.
3. Fill voids between inner circumference of flange insulation and outer circumference of adjacent straight pipe segments with cut sections of sheet insulation of same thickness as pipe insulation.
4. Secure insulation to flanges and seal seams with manufacturer's recommended adhesive to eliminate openings in insulation that allow passage of air to surface being insulated.

C. Insulation Installation on Pipe Fittings and Elbows:

1. Install mitered sections of pipe insulation.
2. Secure insulation materials and seal seams with manufacturer's recommended adhesive to eliminate openings in insulation that allow passage of air to surface being insulated.

D. Insulation Installation on Valves and Pipe Specialties:

1. Install preformed valve covers manufactured of same material as pipe insulation when available.
2. When preformed valve covers are not available, install cut sections of pipe and sheet insulation to valve body. Arrange insulation to permit access to packing and to allow valve operation without disturbing insulation.
3. Install insulation to flanges as specified for flange insulation application.
4. Secure insulation to valves and specialties and seal seams with manufacturer's recommended adhesive to eliminate openings in insulation that allow passage of air to surface being insulated.

3.8 INSTALLATION OF MINERAL-FIBER INSULATION

A. Insulation Installation on Straight Pipes and Tubes:

1. Secure each layer of preformed pipe insulation to pipe with wire or bands and tighten bands without deforming insulation materials.
2. Where vapor barriers are indicated, seal longitudinal seams, end joints, and protrusions with vapor-barrier mastic and joint sealant.
3. For insulation with factory-applied jackets on above-ambient surfaces, secure laps with outward-clinched staples at **6 inches** o.c.
4. For insulation with factory-applied jackets on below-ambient surfaces, do not staple longitudinal tabs. Instead, secure tabs with additional adhesive as recommended by insulation material manufacturer and seal with vapor-barrier mastic and flashing sealant.

B. Insulation Installation on Pipe Flanges:

1. Install preformed pipe insulation to outer diameter of pipe flange.
2. Make width of insulation section same as overall width of flange and bolts, plus twice the thickness of pipe insulation.
3. Fill voids between inner circumference of flange insulation and outer circumference of adjacent straight pipe segments with mineral-fiber blanket insulation.
4. Install jacket material with manufacturer's recommended adhesive, overlap seams at least **1 inch**, and seal joints with flashing sealant.

C. Insulation Installation on Pipe Fittings and Elbows:

1. Install preformed sections of same material as straight segments of pipe insulation when available.
2. When preformed insulation elbows and fittings are not available, install mitered sections of pipe insulation, to a thickness equal to adjoining pipe insulation. Secure insulation materials with wire or bands.

D. Insulation Installation on Valves and Pipe Specialties:

1. Install preformed sections of same material as straight segments of pipe insulation when available.
2. When preformed sections are not available, install mitered sections of pipe insulation to valve body.

3. Arrange insulation to permit access to packing and to allow valve operation without disturbing insulation.
4. Install insulation to flanges as specified for flange insulation application.

3.9 FIELD-APPLIED JACKET INSTALLATION

- A. Where PVC jackets are indicated, install with **1-inch** overlap at longitudinal seams and end joints; for horizontal applications. Seal with manufacturer's recommended adhesive.
 1. Apply two continuous beads of adhesive to seams and joints, one bead under lap and the finish bead along seam and joint edge.
- B. Where metal jackets are indicated, install with **2-inch** overlap at longitudinal seams and end joints. Overlap longitudinal seams arranged to shed water. Seal end joints with weatherproof sealant recommended by insulation manufacturer. Secure jacket with stainless-steel bands **12 inches** o.c. and at end joints.

3.10 FINISHES

- A. Pipe Insulation with ASJ, Glass-Cloth, or Other Paintable Jacket Material: Paint jacket with paint system identified below and as specified in Section 099113 "Exterior Painting" and Section 099123 "Interior Painting."
 1. Flat Acrylic Finish: **Two** finish coats over a primer that is compatible with jacket material and finish coat paint. Add fungicidal agent to render fabric mildew proof.
 - a. Finish Coat Material: Interior, flat, latex-emulsion size.
- B. Flexible Elastomeric Thermal Insulation: After adhesive has fully cured, apply two coats of insulation manufacturer's recommended protective coating.
- C. Color: Final color as selected by Architect. Vary first and second coats to allow visual inspection of the completed Work.
- D. Do not field paint aluminum or stainless-steel jackets.

3.11 PIPING INSULATION SCHEDULE, GENERAL

- A. Acceptable preformed pipe and tubular insulation materials and thicknesses are identified for each piping system and pipe size range. If more than one material is listed for a piping system, selection from materials listed is Contractor's option.
- B. Items Not Insulated: Unless otherwise indicated, do not install insulation on the following:
 1. Drainage piping located in crawl spaces.
 2. Underground piping.

3. Chrome-plated pipes and fittings unless there is a potential for personnel injury.
- 3.12 Insulation shall have a k value that meets the minimum requirements of the latest International Energy Conservation Code (IECC).
- 3.13 INDOOR PIPING INSULATION SCHEDULE
- A. Condensate and Equipment Drain Water below **60 Deg F**:
1. All Pipe Sizes: Insulation shall be one of the following:
 - a. Flexible Elastomeric:
 - 1) **1/2 inch** thick
 - b. Mineral-Fiber, Preformed Pipe Insulation, Type I:
 - 1) **1/2 inch** thick
- B. Chilled Water, above **40 Deg F**:
1. NPS **1-1/2 inch** and Smaller: Insulation shall be one of the following:
 - a. Flexible Elastomeric:
 - 1) **1-1/2 inch** thick.
 - b. Mineral-Fiber, Preformed Pipe, Type I:
 - 1) **1-1/2 inches** thick.
 2. NPS **2 inch** and Larger: Insulation shall be one of the following:
 - a. Flexible Elastomeric:
 - 1) **1-1/2 inch** thick.
 - b. Mineral-Fiber, Preformed Pipe, Type I:
 - 1) **1-1/2 inches** thick.
 3. Insulation runouts not exceeding **48 inches** in length for connection to equipment shall be one of the following:
 - a. Flexible Elastomeric: **1 inch** thick.
 - b. Mineral-Fiber, Preformed Pipe, Type I: **1 inch** thick
- C. Heating-Hot-Water Supply and Return, **200 Deg F** and Below:
1. **NPS 1 1/2** and Smaller: Insulation shall be the following:
 - a. Mineral-Fiber, Preformed Pipe, Type I:
 - 1) 1-1/2 inch thick
 2. Greater than **NPS 1-1/2 inch** : Insulation shall be the following:
 - a. Mineral-Fiber, Preformed Pipe, Type I or Pipe and Tank Insulation:
 - 1) **2 inches** thick
 3. Insulation for runouts not exceeding **48 inches** in length for connection to equipment shall be the following:
 - a. Mineral-Fiber, Preformed Pipe, Type I: **1 inch** thick.

- D. Steam and Steam Condensate, **0 to 15 PSI, 200 Deg F to 250 Deg F** :
1. NPS **1** and Smaller: Insulation shall be **one of** the following:
 - a. Calcium Silicate:
 - 1) **2 inches** thick
 - b. Mineral-Fiber, Preformed Pipe, Type I or II:
 - 1) **1-1/2 inches** thick
 2. **NPS 1-1/4** and Larger: Insulation shall be **one of** the following:
 - a. Calcium Silicate:
 - 1) **3 inches**
 - b. Mineral-Fiber, Preformed Pipe, Type I or II or Pipe and Tank Insulation:
 - 1) **2 inches** thick
 3. Insulation for runouts not exceeding 48" in length for connection to equipment shall be the following:
 - a. Mineral-Fiber, Preformed Pipe, Type I: **1-1/2 inch** thick.
- E. Steam and Steam Condensate, **16 to 60 PSI, 251 Deg F to 305 Deg F** :
1. **NPS 1** and Smaller: Insulation shall be **one of** the following:
 - a. Calcium Silicate: **3 inches** thick.
 - b. Mineral-Fiber, Preformed Pipe, Type I or II: **2 inches** thick.
 2. **NPS 1-1/4** and Larger: Insulation shall be **one of** the following:
 - a. Calcium Silicate: **3 inches** thick.
 - b. Mineral-Fiber, Preformed Pipe, Type I or II or Pipe and Tank Insulation: **2 inches** thick.
 3. Insulation for runouts not exceeding 48inches in length for connection to equipment shall be the following:
 - a. Mineral-Fiber, Preformed Pipe, Type I: **1-1/2 inch** thick.
- F. Steam and Steam Condensate, above 60 PSI, **305 Deg F**:
1. **NPS 1** and Smaller: Insulation shall be **one of** the following:
 - a. Calcium Silicate: **4 inches** thick.
 - b. Mineral-Fiber, Preformed Pipe, Type I or II: **2-1/2 inches** thick.
 2. **NPS 1-1/4 to NPS 4** : Insulation shall be **one of** the following:
 - a. Calcium Silicate: **3 inches** thick.
 - b. Mineral-Fiber, Preformed Pipe, Type I or II or Pipe and Tank Insulation: **3 inches** thick.

3. **NPS 5 and Larger:** Insulation shall be **one of** the following:
 - a. Calcium Silicate: **4 inches** thick.
 - b. Mineral-Fiber, Preformed Pipe, Type I or II or Pipe and Tank Insulation **4 inches** thick.
4. Insulation for runouts not exceeding **48 inches** in length for connection to equipment shall be the following:
 - a. Mineral-Fiber, Preformed Pipe, Type I: **1-1/2 inch** thick.

G. Refrigerant Suction and Hot-Gas Piping:

1. All Pipe Sizes: Insulation shall be **one of** the following:
 - a. Flexible Elastomeric: **1 inch** thick.

H. Refrigerant Suction and Hot-Gas Flexible Tubing:

1. All Pipe Sizes: Insulation shall be the following:
 - a. Flexible Elastomeric: **1 inch** thick.

3.14 INDOOR, FIELD-APPLIED JACKET SCHEDULE

- A. Install jacket over insulation material. For insulation with factory-applied jacket, install the field-applied jacket over the factory-applied jacket.
- B. If more than one material is listed, selection from materials listed is Contractor's option.
- C. Piping, Concealed:
 1. None.
- D. Piping, Exposed:
 1. **PVC:**
 - a. White: **30 mils** thick.
- E. Steam Piping, Exposed:
 1. Aluminum, Stucco Embossed: **0.016 inch** thick.

3.15 OUTDOOR, FIELD-APPLIED JACKET SCHEDULE

- A. Install jacket over insulation material. For insulation with factory-applied jacket, install the field-applied jacket over the factory-applied jacket.
- B. If more than one material is listed, selection from materials listed is Contractor's option.
- C. Piping, Concealed:

1. None.
- D. Piping, Exposed:
1. Aluminum, Stucco Embossed: **0.016 inch** thick.

END OF SECTION

THIS PAGE INTENTIONALLY LEFT BLANK

SECTION 230900 – BUILDING AUTOMATION SYSTEM

PART 1 - GENERAL

1.1 SCOPE OF WORK

- A. The Facility Management and Control System (FMCS) Contractor shall furnish and install a fully integrated building automation system, incorporating direct digital control (DDC) for energy management, equipment monitoring and control as herein specified. The system shall include all required computer software and licenses, hardware, controllers, sensors, transmission equipment, system workstations, local panels, conduit, wire, installation, engineering, database and setup, supervision, commissioning, acceptance test, training, warranty service and, at the owner's option, extended warranty service. Licenses for all software shall be registered to Intermountain Health Care. Include all upgrades for a period of two years.
- B. The system shall only employ BACnet communications in an open architecture with the capabilities to support a multi-vendor environment. The system shall be capable of integrating third party systems and utilizing the following standard protocols.
 - 1. BACnet communication according to ASHRAE standard ANSI/ASHRAE 135-2004.
- C. The FMCS shall utilize a JCI user interface and shall provide total integration with the existing JCI Metasys infrastructure with user access to all system data either locally over a secure Intranet within the building or by remote access by a standard Web Browser over the Internet.
- D. The FMCS shall demonstrate, with (3) proof sources, integration with HVAC industry open standard protocols, including BACnet and Internet standard SQL database and HTTP / HTML / XML text formats.
- E. All materials and equipment used shall be standard components, regularly manufactured with standard part numbers and owners manuals for this and/or other systems. One of a kind, third party or custom integrations devices designed specially for this project will not be allowed.

1.2 RELATED WORK SPECIFIED ELSEWHERE:

- A. Drawings and general provisions of the Contract, including General and supplementary Conditions and Division-1 specification sections, apply to work of this section.
- B. Products furnished but not installed under this section:
 - 1. Valves, flow switches, flow sensors, thermowells and pressure taps to be installed under division 23.
 - 2. Automatic dampers to be installed under division 23.
- C. Coordination with electrical:

1. Installation of all line voltage power wiring by division 26.
2. Each motor starter provided under Division 26, shall be furnished with individual control power transformer to supply 120 volt control power and auxiliary contacts (one N.O. and one N.C.) for use by this section.

1.3 QUALITY ASSURANCE

- A. The system shall be furnished, engineered, and installed by the manufacturers' locally authorized representative. The controls contractor shall have factory-trained technicians to provide instruction, routine maintenance, and emergency service within 24 hours upon receipt of request.
- B. At the time of bid, all FMCS Application Specific Controllers and Programmable Equipment Controllers shall be listed as follows:
 1. Underwriters Laboratory, UL 916
 2. FCC Regulation, Part 15, Class B

1.4 SUBMITTALS

- A. Submit 6 complete sets of documentation in the following phased delivery schedule:
 1. Valve and damper schedules
 2. Equipment data cut sheets
 3. System schematics, including:
 - a. sequence of operations
 - b. point names
 - c. point addresses
 - d. point to point wiring (**identify both BacNET and hardwired points**)
 - e. interface wiring diagrams
 - f. panel layouts
 - g. system riser diagrams
 - h. **Obtain device ID and trunk ID's from Intermountain before adding engine to IH network**
 4. AutoCAD® compatible as-built drawings.
 5. **Control contractor to resubmit a narrative response to all review comments provided by engineering team and owner during initial submittal review phase.**
- B. Upon project completion, submit operation and maintenance manuals, consisting of the following:
 1. Index sheet, listing contents in alphabetical order
 2. Manufacturer's equipment parts list of all functional components of the system, disk of system schematics, including wiring diagrams
 3. Description of sequence of operations
 4. As-Built interconnection wiring diagrams

5. User's documentation containing product, system architectural and programming information.
6. Trunk cable schematic showing remote electronic panel locations, and all trunk data
7. List of connected data points, including panels to which they are connected and input device (ionization detector, sensors, etc.)
- 8. Identify control points trending and alarms per IH recommended list.**
9. Conduit routing diagrams
10. Copy of the warranty/guarantee
11. Operating and maintenance cautions and instructions
12. Recommended spare parts list
- 13. Device locations and labeling of each point on the controller.**

PART 2 - PRODUCTS

2.1 ACCEPTABLE MANUFACTURERS

A. Johnson Controls, Metasys Extended Architecture, furnished and installed by the local branch office.

- 1. Controls installation may be performed by a local subcontractor of JCI.**

2.2 The Facility Management Control System (FMCS) shall be comprised of a network of interoperable, stand-alone digital controllers. The FMCS shall incorporate LonWorks technology using Free Topology Transceivers (FTT-10), or BACnet MSTP485 or Ethernet in all unitary, terminal and other device controllers. The system shall include:

- A. Programmable Equipment Controllers (PEC's) for control of primary mechanical systems and distributed system applications. Controllers shall be fully programmable to create custom control solutions.
- B. Network Area Controllers (NAC's) for distributed system applications, databases and networking functions.
- C. Application Specific Controllers (ASC's) for control of Fan coil terminal units, Unit Vent terminal units, Heat Pump units and other terminal equipment.
- D. Graphical User Interface (GUI), which includes the hardware and software necessary for a user to interface with the control system and devices.

2.3 The controller network shall use twisted pair wiring or loop. The PEC and ASC network shall communicate at a minimum 78Kbps using BACnet or Lontalk. The GUI and NAC shall reside on an Ethernet backbone.

2.4 All components and controllers supplied under this contract shall be true "peer-to-peer" communicating devices.

2.5 NETWORK AREA CONTROLLER (NAC)

- A. The Network Area Controller (NAC) shall provide the interface between the field control devices, and provide global supervisory control functions over the control devices connected to the NAC. It shall be capable of executing application control programs to provide:
1. Calendar functions
 2. Scheduling
 3. Trending
 4. Alarm monitoring and routing
 5. Time synchronization
 6. Integration of LonWorks controller data
 7. Integration of BACnet and MODBUS networks
- B. The NAC shall provide multiple, concurrent user access to the system and support for ODBC or SQL. A database resident on the NAC shall be an ODBC-compliant database or must provide an ODBC data access mechanism to read and write data stored within it.
- C. The NAC shall support standard Web browser access via the Intranet/Internet. It shall be capable of supporting multiple users, expandable to fifty.
- D. The NAC shall provide alarm recognition, storage; routing, management, and analysis to supplement distributed capabilities of equipment or application specific controllers.
1. The NAC shall be able to route any alarm condition to any defined user location whether connected to a local network or remote via dial-up, telephone connection, or wide-area network.
 2. Alarm generation shall be selectable for annunciation type and acknowledgement requirements including, but not limited to:
 - a. To alarm
 - b. Return to normal
 - c. To fault
 3. Provide for the creation of an unlimited number of alarm classes for the purpose of routing types and or classes of alarms, i.e.: security, HVAC, Fire, etc.
 4. Provide timed (schedule) routing of alarms by class, object, group, or node.
 5. Provide alarm generation from binary object "runtime" and /or event counts for equipment maintenance. The user shall be able to reset runtime or event count values with appropriate password control.
- E. Alarms shall be annunciated in any of the following manners as user defined:
1. Screen message text
 2. Email of the complete alarm message to multiple recipients. **A list of required alarm points to be provided by owner.** Provide the ability to route and email alarms based on:
 - a. Day of week
 - b. Time of day
 - c. Recipient
 3. Pagers via paging services that initiate a page on receipt of email message

4. Graphic with flashing alarm object(s)
 5. Cell phones
- F. The following shall be recorded by the NAC for each alarm (at a minimum):
1. Time and date
 2. Location (building, floor, zone, office number, etc.)
 3. Equipment (air handler #, accessway, etc.)
 4. Acknowledge time, date, and user who issued acknowledgement.
- G. Defined users shall be given proper access to acknowledge any alarm, or specific types or classes of alarms defined by the user.
- H. A log of all alarms shall be maintained by the NAC and/or a server and shall be available for review by the user.
- I. Provide a "query" feature to allow review of specific alarms by user defined parameters.
- J. A separate log for system alerts (controller failures, network failures, etc.) shall be provided and available for review by the user.
- K. An Error Log to record system errors shall be provided and available for review by the user.
- L. Data Collection and Storage
1. The NAC shall collect data for any property of any object and store this data for future use.
 2. **A list of required trends shall be provided by the owner. Coordinate trending requirements during submittal phase.**
 3. The data collection shall be performed by log objects, resident in the NAC that shall have, at a minimum, the following configurable properties:
 - a. Designating the log as interval or deviation.
 - b. For interval logs, the object shall be configured for time of day, day of week and the sample collection interval.
 - c. For deviation logs, the object shall be configured for the deviation of a variable to a fixed value. This value, when reached, will initiate logging of the object.
 - d. For all logs, provide the ability to set the maximum number of data stores for the log and to set whether the log will stop collecting when full, or rollover the data on a first-in, first-out basis.
 - e. Each log shall have the ability to have its data cleared on a time-based event or by a user-defined event or action.
 4. All log data shall be stored in a relational database in the NAC and the data shall be accessed from a standard Web Browser.
 5. All log data, when accessed from a server, shall be capable of being manipulated using standard SQL statements.
 6. All log data shall be available to the user in the following data formats:
 - a. HTML
 - b. XML

- c. Plain Text
 - d. Comma or tab separated values
- 7. The NAC shall have the ability to archive its log data either locally (to itself), or remotely to a server or other NAC on the network. Provide the ability to configure the following archiving properties, at a minimum:
 - a. Archive on time of day
 - b. Archive on user-defined number of data stores in the buffer (size)
 - c. Archive when buffer has reached its user-defined capacity
- M. Provide and maintain an Audit Log that tracks all activities performed on the NAC. Provide the ability to specify a buffer size for the log and the ability to archive log based on time or when the log has reached its user-defined buffer size. Provide the ability to archive the log locally (to the NAC), to another NAC on the network, or to a server. For each log entry, provide the following data:
 - 1. Time and date
 - 2. User ID
 - 3. Change or activity: i.e., Change setpoint, add or delete objects, commands, etc.
- N. The NAC shall have the ability to automatically backup its database. The database shall be backed up based on a user-defined time of day.
 - 1. Copies of the current database and, at the most recently saved database shall be stored in the NAC. The age of the most recently saved database is dependent on the user-defined database save interval.
 - 2. The NAC database shall be stored, at a minimum, in XML format to allow for user viewing and editing, if desired. Other formats are acceptable as well, as long as XML format is supported.

2.6 PROGRAMMABLE EQUIPMENT CONTROLLERS (PEC)

- A. Programmable Equipment Controllers (PEC's) shall be stand-alone, multi-tasking, real-time digital control processors.
- B. The PEC's shall communicate via BACnet communication according to ASHRAE standard ANSI/ASHRAE 135-2004.
- C. The PEC must communicate peer-to-peer with all of the network application specific, programmable controllers.
- D. The PEC software database must be able to execute all of the specified mechanical system controls functions. The programming software shall be able to bundle software logic to simplify control sequencing. All values, which make up the PID output value, shall be readable and modifiable at a workstation or portable service tool. Each input, output, or calculation result shall be capable of being shared/bound with any controller or interface device on the network.
- E. Provide programming, engineering, and configuration tools used for the project duly licensed to the owner for owner's use.

- F. PEC's shall be able to execute custom, job-specific processes defined by the user, to automatically perform calculations and special control routines.
- G. A single process shall be able to incorporate measured or calculated data from any and all other PEC's on the network. In addition, a single process shall be able to issue commands to points in any and all other PEC's on the network.
- H. Each PEC shall support firmware upgrades without the need to replace hardware.
- I. Each PEC shall continuously perform self-diagnostics, which include communication diagnosis and diagnosis of all components.
- J. In the event of the loss of normal power, there shall be an orderly shutdown of all PEC's to prevent the loss of database or operating system software. Non-volatile memory shall be incorporated for all critical controller configuration data and **battery backup shall be provided to support the real-time clock and all volatile memory for a minimum of 72 hours.**
 - 1. Upon restoration of normal power, the PEC shall automatically resume full operation without manual intervention.
 - 2. All PEC's control programming and databases must be stored in Flash memory, therefore eliminating data loss, downtime and re-load time.
- K. Provide a separate PEC for each AHU or other HVAC system such that the inputs, calculations, and outputs shall reside on a single controller.

2.7 APPLICATION SPECIFIC CONTROLLERS (ASC)

- A. Each Application Specific Controller (ASC) shall operate as a stand-alone BacNet controller capable of performing its specified control responsibilities independent of other controllers in the network. Each ASC shall be a minimum 16-BIT microprocessor based, multi-tasking, multi-user, real time digital control processor.
- B. Controllers shall include all inputs and outputs necessary to perform the specified control sequences. Analog and digital outputs shall be industry standard signals such as 0-10V and 3-point floating control allowing for interface to a variety of industry standard modulating actuators. The ASC inputs and outputs shall consist of industry standards types. Inputs shall be electrically isolated from outputs, communications and power.
- C. All controller sequences and operation shall provide closed loop control of the intended application. Closing control loops over the network is not acceptable.
- D. The control program shall reside in the ASC. The application program and the configuration information shall be stored in non-volatile memory with no battery back-up required.
- E. After a power failure the ASC must run the control application using the current setpoints and configuration. Reverting to default or factory setpoints are not acceptable.

2.8 GRAPHICAL USER INTERFACE SOFTWARE (GUI)

- A. Contractor to create new system graphics pages and integrate them into the existing Metasys interface.
- B. Command of points from multiple manufacturers shall be transparent to the operator.
- C. Real-Time Displays. The Graphical User Interface (GUI), shall at a minimum, support the following graphical features and functions:
 - 1. Graphic screens shall be developed using any drawing package capable of generating a GIF, BMP, or JPG file format. Use of proprietary graphic file formats shall not be acceptable. In addition to, or in lieu of a graphic background, the GUI shall support the use of scanned pictures and streaming video.
 - 2. Provide programming, engineering, and configuration tools used for the project duly licensed to the owner for owner's use.
 - 3. A gallery of HVAC and automation symbols shall be provided, including fans, valves, motors, chillers, AHU systems, standard ductwork diagrams and symbols. The user shall have the ability to add custom symbols to the gallery as required.
 - 4. Graphic screens shall contain objects for text, real-time values, animation, color spectrum objects, logs, graphs, HTML or XML document links, schedule objects, hyperlinks to other URL's, and links to other graphic screens.
 - 5. Graphics shall include layering and each graphic object shall be configurable for assignment to a layer. A minimum of six layers shall be supported.
 - 6. Modifying common application objects, such as schedules, calendars, and set points shall be accomplished in a graphical manner.
 - a. Schedule times will be adjusted by mouse command using a graphical slider, without requiring any keyboard entry from the operator.
 - b. Holidays shall be set by mouse command using a graphical calendar, without requiring any keyboard entry from the operator.
 - 7. Commands to start and stop binary objects shall be done by mouse command from the pop-up menu. No entry of text shall be required.
- D. System Configuration. At a minimum, the GUI shall permit the operator to perform the following tasks, with proper password access:
 - 1. Create, delete or modify control strategies.
 - 2. Add/delete objects to the system.
 - 3. Tune control loops through the adjustment of control loop parameters.
 - 4. Enable or disable control strategies.
 - 5. Generate hard copy records or control strategies on a printer.
 - 6. Select points to be alarmable and define the alarm state.
 - 7. Select points to be trended over a period of time and initiate the recording of values automatically.
- E. On-Line Help. Provide a context sensitive, on-line help system to assist the operator in operation and editing of the system. On-line help shall be available for all applications and shall provide the relevant data for that particular screen. Additional help information shall be available through the use of hypertext. All system documentation and help files shall be in HTML format.

- F. Each operator shall be required to log on to that system with a user name and password in order to view, edit, add, or delete data. System security shall be selectable for each operator. The system administrator shall have the ability to set passwords and security levels for all other operators. Each operator password shall be able to restrict the operators' access for viewing and/or changing each system application, full screen editor, and object. Each operator shall automatically be logged off of the system if no keyboard or mouse activity is detected. This auto log-off time shall be set per operator password. All system security data shall be stored in an encrypted format.
- G. All graphic displays shall be provided using web browser client as specified in 2.11.
- H. The system will be provided with a dedicated alarm window or console. This window will notify the operator of an alarm condition, and allow the operator to view details of the alarm and acknowledge the alarm. The use of the Alarm Console can be enabled or disabled by the system administrator.
- I. When the Alarm Console is enabled, a separate alarm notification window will supercede all other windows on the desktop. This window will notify the operator of new alarms and un-acknowledged alarms. Alarm notification windows or banners that can be minimized or closed by the operator shall not be acceptable. The alarm console shall be loaded and operated at the following locations.

2.9 PROJECT SPECIFIC PAGES:

- A. Home page shall include a campus layout of the individual buildings at the site.
 - 1. **A new link shall be provided on the existing home screen for the sleep lab mechanical page.**
- B. Once an individual building is selected the following minimum web-based tree structure shall be provided:
 - 1. Documents Page: The document page shall include the O&M Manuals for the control system in PDF format along with AutoCAD drawings for each drawing provided in the control system O&M Manual. This document page shall include links between the control diagrams and associated data sheet in PDF format, such that the system user shall be able to click on the control device and retrieve, in PDF format, the factory O&M sheets associated with that device.
 - 2. Station Functions:
 - a. Logging separate sheet of station functions for a particular selected building shall be the viewing of one or more logs or the creation of logs in which any value at any point, or the mode of any point, shall be selected via the web to be trended against any other point with an adjustable frequency in seconds, minutes, hours or days.
 - b. The alarm acknowledgement via the web shall allow the viewing and acknowledgement of the alarms.
 - c. Audit log shall be provided via the web to show the operator actions as well as other audit logs as specified in section 2.4 Network Area Controller (NAC) paragraph "M" Data Collection and Storage.
 - 3. Floor Plans:

- a. AutoCAD drawings of floor plans shall be provided in the control system such that via the web the user shall be able to turn layers on and off on the mechanical floor plans. These floor plans shall also include an overlay of the temperature control as-built wiring for the project showing thermostat locations, communication runs, transformer locations, controller locations, etc.
- b. Floor Display Summaries. The operator shall be able to select floor plans displaying the following formats:
 - 1) All zone temperatures
 - 2) All zone heating percentages
 - 3) All zone cooling percentages
 - 4) All zone room names and numbers as per architectural matrix and owner input.
 - 5) All zones cfm delivered.

4. Systems:

- a. On selecting the systems menu, a tree structure shall allow the operator to select the air handlers, fan coil units, energy recovery ventilators, etc. systems associated with that building. The graphics shall also show the piping and ductwork associated with the air handler as well as the safeties, temperature sensors, humidity sensors, dampers, VFD's, associated with that fan system. See points lists for specifics. Each system in the points list shall be treated as a branch of the above tree.
- b. All devices that provide dynamic function in the primary equipment, i.e., fans, pumps, coils, dampers shall be dynamic in nature showing their operating status/percentage of capacity by movement on the web page.
- c. The set points for the various control loops shall be adjustable via the web page. Individual controlled devices, i.e., valves, dampers, fans shall be controlled via the web page and be stopped or started or placed in a command state or percentage of value output.

2.10 FIELD DEVICES

- A. Provide automatic control valves, automatic control dampers, thermostats, clocks, sensors, controllers, and other components as required for complete installation. Except as otherwise indicated, provide manufacturer's standard control system components as indicated by published product information, designed and constructed as recommended by manufacturer.
- B. Temperature Sensors
 1. Temperature Sensors: Temperature sensors shall be linear precision elements with ranges appropriate for each specific application.
 2. Space (room) sensors shall be available with setpoint adjustment and override switch.
 3. Duct mounted averaging sensors shall utilize a sensing element incorporated in a copper capillary with a minimum length of 20 feet. The sensor shall be installed according to manufacture recommendation and looped and fastened at a minimum of every 36 inches.

4. Sunshields shall be provided for outside air sensors.
 5. Thermo-wells for all immersion sensors shall be stainless steel or brass as required for the application.
- C. Humidity Sensors: Humidity sensors shall be of the solid-state type using a capacitance-sensing element. The sensor shall vary the output voltage with a change in relative humidity. Room humidity sensors shall have a minimum range of 10% to 90% \pm 5%. Supply air humidity sensors shall have a range of 10% to 90% \pm 5%.
- D. Pressure Sensors: The differential pressure sensor shall be temperature compensated and shall vary the output voltage with a change in differential pressure. Sensing range shall be suitable for the application with linearity of 1.5% of full scale and offset of less than 1% of full scale. Sensor shall be capable of withstanding up to 150% of rated pressure without damage.
- E. Flat plate (flush mount) temperature sensors shall be installed in public corridors, behavior health and any other locations where gurneys and/or carts could damage sensors and where public access of setpoint is not desired.
- F. Switches and Thermostats
1. The FMCS Contractor shall furnish all electric relays and coordinate with the supplier of magnetic starters for auxiliary contact requirements. All electric control devices shall be of a type to meet current, voltage, and switching requirement of their particular application. Relays shall be provided with 24 VAC coils and contacts shall be rated at 10 amps minimum.
 2. Duct Smoke Detectors: Duct smoke detectors shall be supplied by others with an integral auxiliary contact to be used by the FMCS contractor to provide a digital input to the FMCS.
 3. Low Temperature Detection Thermostats: Shall be the manual reset type. The thermostat shall operate in response to the coldest one-foot length of the 20-foot sensing element, regardless of the temperatures at other parts of the element. The element shall be properly supported to cover the entire downstream side of the coil with a minimum of three loops. Separate thermostats shall be provided for each 25 square feet of coil face area or fraction thereof.
 4. Differential Pressure Switches: Pressure differential switches shall have SPDT changeover contact, switching at an adjustable differential pressure setpoint.
 5. Current Sensing Relays: Motor status indications, where shown on the plans, shall be provided via current sensing relays. The switch output contact shall be rated for 30 VDC, .15 amps.
 6. Flow Switches: Motor status indications, where shown on the plans, shall be provided via flow switches. Flow switches shall be of the paddle type equipped with SPDT contacts to establish proof of flow.
 7. Carbon Monoxide Detector and Controller shall meet or exceed UL 2034 standard and OSHA standards for CO exposure. Controller shall be solid state sensor. Fan relay shall activate at 35 ppm of CO averaged over 5 minutes. Alarm relay shall activate at 100 ppm after 30 minutes. Approved manufacturers shall be Macurco, Inc or approved equal.
- G. Control Valves
1. General: Control Valves up to 4 inches shall be globe valves and shall be sized for a 3 to 5 psi pressure drop. Valves shall be packless, modulating, electrically or

magnetically actuated, with a control rangeability of 100 to 1. These valves shall have equal percentage flow characteristics in relationship to valve opening.

2. ½ inch to 4 inch: Valves shall be equipped with handwheel, or manual position mounted dial adjacent to valve, to allow manual positioning of valve in absence of control power. (Valves with a rangeability of less than 200 to 1 shall utilize two valves in a 1/3 – 2/3 parallel arrangement in order to achieve control rangeability).
3. 4 inches to 6 inches: Valves for heating shall be globe valves modulating electrically actuated, 2-way or 3-way as required, with a rangeability of 50 to 1. Valve body shall be flanged and shall be equipped with a handwheel, or manual position dial mounted adjacent to the valve, to allow manual positioning of the valve in the absence of control power. Valves for cooling shall be butterfly with a rangeability of 25 to 1.
4. Butterfly Valves: 2-way and 3-way butterfly valves shall be cast iron valve body, with stainless steel stem, and available with disc seal for bubble-tight shut off.
5. Steam Valves: Valves shall have an ANSI Class 250 lb. body, teflon v-ring packing rated to 377°F., stainless steel trim rated to 50 psi, with rangeability greater than 100:1, Class 4 leakage and close off rating, linear flow characteristics, via perforated throttling cylinder.

H. Damper Actuators

1. Actuators shall be of the push-pull or rotary type of modulating, 3-point floating, or 2-position control as required by the application. The actuator shall use an overload-proof synchronous motor or an electric motor with end switches to de-energize the motor at the end of the stroke limits. Control voltage shall be 24 VAC, 0-20 VDC, or 4-20 ma as required. Actuators shall be available with spring return to the normal position when required. Actuators shall have a position indicator for external indication of damper position. Actuators shall have manual override capability without disconnecting damper linkage.

I. Control Dampers

1. Motorized dampers, unless otherwise specified elsewhere, shall have damper frames using 13 gauge galvanized steel channel or 1/8" extruded aluminum with reinforced corner bracing. Damper blades shall not exceed ten (10) inches in width or 48" in length. Blades are to be suitable for high velocity performance. Damper bearings shall be as recommended by manufacturer for application. Bushings that turn in the bearing are to be oil impregnated sintered metal. All blade edges and top and bottom of the frame shall be provided with replaceable, butyl rubber or neoprene seals. Side seals may be spring-loaded stainless steel. The seals shall provide a maximum of 1% leakage at a wide open face velocity of 1500 FPM and 4: W.C. close-off pressure. The damper linkage shall provide a linear flow or equal percentage characteristic as required. Provide Ruskin RCD46 model or equal.
2. Control dampers shall be parallel or opposed blade type as scheduled on drawings or outdoor and return air mixing box dampers shall be parallel blade, arranged to direct air streams towards each other. All other dampers may be parallel or opposed blade types.

PART 3 - EXECUTION

3.1 PROJECT MANAGEMENT

- A. Provide a project manager who shall, as a part of his duties, be responsible for the following activities:
 - 1. Coordination between the Controls Contractor and all other trades, Owner, local authorities and the design team.
 - 2. Scheduling of manpower, material delivery, equipment installation and checkout.
 - 3. Maintenance of construction records such as project scheduling and manpower planning and AutoCAD or Visio for project co-ordination and as-built drawings.
 - 4. Coordination/Single point of contact

3.2 INSTALLATION METHODS

- A. Install systems and materials in accordance with manufacturer's instructions, rough-in drawings and equipment details. Install electrical components and use electrical products complying with requirements of applicable Division-16 sections of these specifications.
- B. The term "control wiring" is defined to include providing of wire, conduit, and miscellaneous materials as required for mounting and connecting electric or electronic control devices.
- C. To run BACnet on the ethernet network, the installer is required to run, at minimum, plenum rated CAT 5e cabling for all runs associated with this network.
- D. All exposed wiring, low and line voltage subject to mechanical damage, shall be run in conduit. Line and low voltage wiring shall be run in separate conduits. Concealed but accessible wiring, except in mechanical rooms and areas where other conduit and piping are exposed shall run in UL plenum rated cable as approved by local codes unless expressly restricted by requirements in Division 16 specification.
- E. All Controllers, Relays, Transducers, etc., required for stand-alone control shall be housed in a NEMA 1 enclosure with a lockable door.

3.3 SYSTEM ACCEPTANCE

- A. General: The system installation shall be complete and tested for proper operation prior to acceptance testing for the Owner's authorized representative. A letter shall be submitted to the Architect requesting system acceptance. This letter shall certify all controls are installed and the software programs have been completely exercised for proper equipment operation. Acceptance testing will commence at a mutually agreeable time within ten (10) calendar days of request. When the field test procedures have been demonstrated to the Owner's representative, the system will be accepted. The warranty period will start at this time.
- B. Field Equipment Test Procedures: DDC control panels shall be demonstrated via a functional end to end test. Such that:

1. **Owner to provide a pre-functional and functional checklist(s) for the verification of proper integration of the new mechanical items. Contractor to review and sign off all the pre-functional and functional checklist(s) provided after installation is complete. Contractor to return signed copies of checklists to the engineer and owner.**
 2. All output channels shall be commanded (on/off, stop/start, adjust, etc.) and their operation verified.
 3. All analog input channels shall be verified for proper operation.
 4. All digital input channels shall be verified by changing the state of the field device and observing the appropriate change of displayed value.
 5. If a point should fail testing, perform necessary repair action and retest failed point and all interlocked points.
 6. Automatic control operation shall be verified by introducing an error into the system and observing the proper corrective system response.
 7. Selected time and setpoint schedules shall be verified by changing the schedule and observing the correct response on the controlled outputs.
- C. As-Built Documentation: After a successful acceptance demonstration, the Contractor shall submit as-built drawings of the completed project for final approval. After receiving final approval, supply "6" complete as-built drawing sets, together with AutoCAD or Visio diskettes to the owner.
- D. Operation and Maintenance Manuals: **Submit three (3) hard copies and one (1) searchable pdf copy** of the operation and maintenance manuals. Include the following
1. Manufacturer's catalog data and specifications on sensors, transmitters, controllers, control valves, damper actuators, gauges, indicators, terminals, and any miscellaneous components used in the system.
 2. An operator's manual that will include detailed instructions for all operations of the system.
 3. An operator's reference table listing the addresses of all connected input points and output points. Settings shall be shown where applicable.
 4. A copy of the warranty/guarantee.
 5. Operating and maintenance cautions and instructions.

3.4 TRAINING

- A. Factory trained control engineers and technicians shall provide training sessions for the Owner's personnel.
- B. The control contractor shall conduct a (4) four-hour onsite training course of the new graphic pages for the designated Owner's personnel.

3.5 WARRANTY/GUARANTEES

- A. The control system shall be warranted/guaranteed to be free from defects in both material and workmanship for a period of one (1) year of normal use and service.

This warranty/guarantee shall become effective the date the owner accepts or receives beneficial use of the system.

- B. After completion this contractor shall make adjustments and modification as necessary for the one year warranty period. During this period the contractor as directed by the engineer shall make modifications and adjustments to the building systems at no additional cost or compensation.

END OF SECTION

THIS PAGE INTENTIONALLY BLANK

SECTION 23 09 93 - SEQUENCES OF OPERATION

1. POWER FAILURE

Except for the equipment noted below, all supply, return, relief, exhaust, pumps, etc. shall stop on power failure. Items noted below have been connected to the emergency generator system and shall remain functional during a power outage. When power has been restored to normal for a minimum of two minutes, the mechanical equipment shall restart at 30-second intervals (adjustable) in a predetermined sequence.

- Air Handler AH-3
- Exhaust Fan EF-1 thru EF-5
- Hot Water Pump P-3-1 & P-3-2
- Unit Heater UH-1
- All ATC Panels (Integral UPS provided by ATC contractor)
- Medical Gas Alarm System
- Pure Water System RO-1
- Supply Air Control Valves: SV-1-4-1, SV-1-4-2, SV-1-4-3
- Exhaust Air Control Valves: GX-1-1-1, GX-1-4-2, GX-1-4-3
- All VAV boxes
- Pure Water System: UV-1, P-1, P-2, DI-1 Controller
- Medical Alarm System Panels

2. SCHEDULE

Although specific set points, time periods and reset values are listed in the sequence of operation, all values shall be changeable through the Facility Management System console or portable operators' terminal. The initial occupied/unoccupied schedules shall be as designated by the owners representative.

3. POINT DATABASE

Inputs and outputs required to meet the sequence of operation shall be provided, whether or not they are listed in the Input/Output schedule. All points listed in the Input/Output schedule shall also be provided.

4. AIR HANDLING UNITS AH-3

The following sequences apply to air handling systems (except as noted):

Provide a separate DDC control panel at fan system.

The variable volume air handling unit consists of a mixed air section with outdoor air, relief air and return air dampers, pre-filter, final filter, glycol hot water heating coil, chilled water cooling coil, supply and return fan arrays with individual variable frequency drives and steam humidifier. The unit is DDC controlled using electric actuation.

The air handling unit is scheduled for automatic operation on a time of day basis for Occupied and Unoccupied modes. Within the Occupied mode, the system can enter the Warm-Up mode when the space temperature is below set point or the Cool-Down mode when the space temperature is above set point. The system stays in the Warm-Up or Cool-Down mode until the mode set point is satisfied. Within the Unoccupied mode, Night Heating is available when the space temperature drops below 55 degrees F (adjustable). The latest start time is the scheduled

occupancy for the space.

The air handling unit operates in Warm-Up, Cool-Down, Occupied, Unoccupied, Night Heating and Safety modes as follows (All suggested set points and settings are adjustable.):

Warm-Up

The supply and return fans start. The mixing dampers are positioned for 100% return air and the cooling coil valve remains closed. The heating coil valve modulates to maintain the supply air temperature set point. If time reaches the latest start time during the Warm-Up mode, the minimum outdoor air damper modulates to its minimum cfm setpoint position. The system is prevented from entering the Warm-Up mode more than once per day.

Cool-Down

The supply and return fans start. The heating coil valve remains closed. The cooling coil valve and the mixing dampers modulate to maintain the supply air temperature set point. When the outside air dry bulb temperature is above the economizer changeover value, the mixing dampers are positioned for 100% return air. If time reaches the latest start time during the Cool-Down mode, the outdoor air damper modulates to its minimum cfm setpoint or is controlled in economizer operation. The system is prevented from entering the Cool-Down mode more than once per day.

Occupied

The supply and return fan arrays start or continue to run and the unit is controlled as follows:

The heating coil valve, mixed air dampers, and cooling coil valve modulate in sequence without overlap to maintain the supply air temperature set point with a low limit of 46 degrees F at the mixed air sensor. The mixing dampers ramp open slowly to minimize overshooting.

Airflow Measuring Stations: The ATC contractor shall furnish qty(3) Ebtron GTx116-P+ airflow measuring stations for the air handler system. The airflow measuring stations shall be located in the supply, return and outside plenums. The outside air flow station monitors the outside air volume and modulates the minimum outside damper to maintain minimum ventilation set point. The return airflow measuring station monitors the return airflow and modulates the relief air damper to maintain a constant volumetric offset. The volumetric offset shall be determined by the T&B contractor for each air handler system.

Supply Air Temperature Control

The supply air temperature set point shall initially be set at 52 deg F but shall be subject to a supply air temperature reset schedule using a trim and respond control algorithm. The supply air shall reset between a minimum of 52 deg F and a maximum of 60 deg F (adjustable). The VAV box cooling command for all boxes on an air handling system shall be monitored. If the worst case VAV box connected to the air handling system is below 85% for 5 minutes the supply air temperature set point shall be raised by 0.5 deg F. If the worst case VAV box cooling demand is 100% for 5 minutes then the supply air temperature shall be lowered by 0.5 deg f. The supply air temperature setpoint shall be set to the maximum during Warm-up mode and to the minimum during Cool-down mode.

A graphical summary interface showing all terminal units connected to the air handling system will be provided. The graphical summary shall include the following information (at a minimum): Box number, damper position, space setpoint, space temperature, reheat valve position. The graphical summary shall also have an input for each box that will allow it to be added/removed from the air handler duct static pressure reset control sequence and air handler discharge air

temperature setpoint reset schedule. The intent of this is to provide an easily viewable and changeable interface to identify rogue terminal units that drive the duct static pressure and discharge air temperature.

Humidity Control

When the air handling unit is operating and in Occupied Mode, the humidifier valve modulates to maintain the return air humidity set point. The humidifier valve is closed during other operating modes. Humidifier valve modulates closed if supply air humidity levels exceed set point 85% (adjustable), sensed about 10 feet downstream of humidifier. The humidity valve shall close upon fan shutdown.

Supply Duct and Building Pressurization Control

The supply fan variable frequency drive modulates to maintain a duct static pressure setpoint as sensed at least two thirds of the way downstream of the supply fan in the longest or most critical duct (see plans for location). The duct static pressure set point shall initially be set at 1.0" w.g. but shall be coordinated with the balancing contractor to the appropriate field condition for the final setting (fan energy is a major part of overall building energy, the duct static pressure setpoint does not need to be 1.0" when all zones are satisfied). If the highest air terminal box damper connected to the air handler system is 80% or above for 5 minutes, the supply air duct static pressure setpoint shall be raised by 0.1" w.g. If the highest air terminal damper is below 60% for 5 minutes, the supply duct static pressure setpoint shall be decreased by 0.1" w.g. The minimum and maximum setpoints are to be determined in coordination with the test and balance contractor. Air terminal dampers serving non-critical areas shall be able to be omitted from the reset calculation through a toggle (see VAV box graphical display summary).

Upon initial startup of the air handling system, the supply and return fan speed slowly ramps to the desired static pressure set point.

Upon shutdown of the air handling system, the supply and return fan variable frequency drives are stopped and the speed signal shall go to zero speed.

A static pressure transmitter shall be provided for each fan system, in the area served by the fan system. It shall be monitored through the FMS. The air handling unit relief air dampers shall modulate to maintain positive building static pressure.

Return Duct Control Damper

A motorized control damper shall be located in the return duct main serving the low pressure return grilles. The control damper provides a pressure drop approximately equal to the venturi flow control valves serving the operating rooms. A differential pressure transmitter shall measure the pressure drop across the damper and shall modulate open/close as needed to maintain a pressure drop of 0.6" w.g. (adj.) to match RV-1-4-1, RV-1-4-2, RV-1-4-3).

Unoccupied (Normal Off)

The supply and return fans stop, the cooling coil valve closes and the mixing dampers close to the outdoor air. If the OAT is less than 45 degrees F, the heating coil valve modulates to maintain the unoccupied mixed air set point of 45 degrees. If the OAT is 45 degrees F or above, the heating coil valve closes.

Night Heating

The supply and return fans start with the heating coil valve open to maintain a minimum space temperature of 65 degrees F. The space temperature is taken from an average of the areas served by the air handling unit. The cooling coil valve remains closed and the mixing dampers

remain closed to outdoor air.

Safety

Discharge high static cutout, high negative static cutout, fire alarm interlock by Div. 26, smoke detectors in the supply and return air streams, and supply and return fan VFD fault alarms de-energize the supply and return fans upon activation. When the OAT is less than 45 degrees F, the heating coil valve modulates to maintain the mixed air temperature at 45 degrees F. When the OAT is 45 degrees F or above, the heating coil valve closes. The outside air and relief air dampers shall close, all other dampers and valves position to their normal position after the fans are de-energized.

A low temperature detector in the discharge of the heating coil de-energizes the supply and return fans when temperatures below 38 degrees F are sensed. The heating coil valve modulates to maintain the mixed air temperature at 45 degrees F. The outside air and relief air dampers shall close, all other dampers and valves position to their normal position after the fans are de-energized.

The DDC system uses VFD communications to confirm the fans are in the desired state (i.e. on or off) and generates an alarm if status deviates from DDC start/stop control. The DDC system generates a VFD trouble alarm independent from the fan status.

Filter

Provide and install a differential pressure transmitter across each pre and final filter bank. The differential pressure transmitter shall be monitored through the FMS. Alarm set points shall be adjustable at the FMS.

5. FIRE ALARM INTERLOCK & SMOKE CONTROL

When an alarm condition occurs, all AHUs (except for AHU serving the Operating Rooms) shall shut down. AHU VFD's shall be set to emergency mode. The AHU serving the ORs shall continue to operate. It shall go to 100% outside air and the return air duct smoke detector and the freeze stats shall be overridden. The AHU supply duct smoke detector will still function to shut down the AHU if smoke is detected.

See Operating Room Supply Exhaust Tracking Zones (Smoke Control Sequence)

6. HOT WATER HEAT EXCHANGERS; HX-3-1 & HX-3-2 and P-3-1 & P-3-2

The air handler contains redundant steam to glycol hot water converters for the air handler pre-heat coils.

Glycol Hot Water System

The glycol hot water heating is accomplished via shell & tube heater exchangers.

The system operates as follows (All suggested set points and settings are adjustable.):

Pump Alternation (P-3-1 and P-3-2)

Pumps alternate to equalize equipment runtime. Selection of the primary & standby pump is evaluated on a weekly basis. The pump with the least runtime is the primary. The remaining pump is standby.

Glycol Heating Control

The glycol heating system enable point is controlled either manually by the operator or by a program function (i.e., OSA temperature, Time-Of-Day). If the heating system enable point is on and the outdoor air temperature is below 50 degrees F., the lead hot water pump starts.

At proof of flow, the glycol hot water 3-way control valve operates. The glycol supply hot water set point is maintained by modulating the converter valves. The hot water supply set point is reset based on outdoor air temperature. When the outdoor air temperature is 0 degrees F, the set point is 180 degrees F (adj.) and when the outdoor air temperature is 55 degrees F, the set point is 100 degrees F (adj.).

If the primary pump fails, an alarm is generated and the standby pump starts. If both of the pumps fail, the hot water valve closes and a critical building alarm is generated.

7. EXHAUST FANS

Exhaust fans shall run continuously unless noted otherwise below. The operator shall be able to override the exhaust fan control at the operator workstation in case of maintenance or emergency. The exhaust fan is controlled in Occupied and Unoccupied modes as follows:

Occupied

The DDC system opens the exhaust damper and turns on the exhaust fan.

Unoccupied

The exhaust fan is off.

The DDC system uses a current switch to monitor the exhaust fan status and generates an alarm if status deviates from DDC start/stop control.

Exhaust Fan Control Schedule Shall Be as Follows:

- EF-1 (Decontamination): The exhaust fan is equipped with an electrically commutated motor (ECM) and shall be capable of reducing its air volume capacity in direct proportion to the supply airflow rate. A 0-10 VDC controller will be provided with the fan for BMS connection. A duct mounted airflow measuring station shall be provided and installed within the exhaust duct to monitor the exhaust fan airflow (see plans for location). The exhaust fan speed shall be controlled to track the supply airflow into the space and maintain a negative volumetric offset of -500 cfm (adjustable) to maintain a slight negative air pressurization. **The airflow measuring station shall be Ebtron GTx116-P+ or equivalent.** The supply airflow into the space is provided by VAV box VR-1-4-21.
- EF-2,3,4 (General Exhaust): Run continuously during occupied hours. Off during unoccupied.
- EF-5 (Central Sterile): The exhaust fan is equipped with an electrically commutated motor (ECM) and shall be capable of reducing its air volume capacity in direct proportion to the supply airflow rate. A 0-10 VDC controller will be provided with the fan for BMS connection. A duct mounted airflow measuring station shall be provided and installed within the exhaust duct to monitor the exhaust fan airflow (see plans for location). The exhaust fan speed shall be controlled to track the supply airflow into the space and maintain a positive volumetric offset of +300 cfm (adjustable) to maintain a slight positive air pressurization. **The airflow measuring station shall be Ebtron GTx116-P+ or equivalent.** The supply airflow into the space is provided by VAV box VR-1-4-20.

8. VAV BOX WITH HOT WATER REHEAT

The variable volume (VAV) terminal unit is controlled independent of system pressure fluctuations by an application specific DDC controller using electric actuation. The VAV terminal unit is controlled within user defined maximum and minimum supply air volume settings. The controller monitors the room temperature sensor and air velocity sensor and modulates the supply air damper in sequence with the reheat valve to maintain the room temperature at set point. The space served by the VAV terminal unit is controlled in Occupied and Unoccupied modes as follows:

Occupied Mode

When the zone temperature is between the effective heating setpoint and the effective cooling setpoint (inside the bias), the VAV controller will be Satisfied and the airflow setpoint will be at minimum. The VAV air damper will modulate to maintain the airflow setpoint and there will be no mechanical heating.

On a rise in zone temperature above the effective cooling setpoint, the VAV controller will switch to Primary Cooling mode and the airflow setpoint will modulate up to the maximum cooling airflow setpoint. The VAV air damper will modulate to maintain the airflow setpoint and there will be no mechanical heating.

On a drop in zone temperature below the effective heating setpoint, the VAV controller will switch to the Box Heating mode:

- The first stage of heating (PID between 0% and 50%) will modulate the discharge air temperature setpoint up to a maximum of 14 deg F above the zone temperature.
 - When the heating PID is between 0% and 50%, the airflow setpoint will be at its minimum specified airflow. The VAV air damper will modulate to maintain the airflow setpoint.
 - The discharge air temperature setpoint will reset from the air handler supply air temperature setpoint to 14 deg F above the current zone temperature.
- When the heating PID is between 50% and 100% , the airflow setpoint will modulate from the minimum to the maximum heating airflow setpoint. The VAV air damper will modulate to maintain the airflow setpoint. The reheat valve will modulate to maintain the discharge air temperature setpoint at 14 deg F above the current zone temperature.

Unoccupied Mode

The terminal unit is controlled using the night set point. The controller may reset to the Occupied mode for a predetermined time period upon a signal from the control system or manually at the room sensor. When in this mode, while the zone temperature is between the unoccupied heating and cooling setpoints (inside of the bias), the primary air damper will be closed and there will be no mechanical heating. On a rise in zone temperature above the unoccupied cooling setpoint, the primary air damper will increase the cfm (if available) and there will be no mechanical heating. On a drop in zone temperature below the unoccupied heating setpoint, the reheat coil will be used to maintain the zone temperature and the primary air damper will be modulate open.

A graphical summary interface showing all VAV boxes connected to the air handling system will be provided. The graphical summary shall include the following information (at a minimum): Box number, damper position, space setpoint, space temperature, reheat valve position. The graphical summary shall also have an input for each box that will allow it to be added/removed from the air handler duct static pressure reset control sequence (refer to air handler duct static pressure reset section) and air handler discharge air temperature setpoint reset schedule (refer

to air handler supply air temperature control section). The intent of this is to provide an easily viewable and changeable interface to identify rogue VAV boxes that drive the duct static pressure and discharge air temperature.

9. VAV BOX (COOLING ONLY)

The cooling only variable volume (VAV) terminal unit is controlled by an application specific DDC controller using electric actuation. The space served by the VAV terminal unit is controlled in Occupied and Unoccupied modes as follows:

Occupied

The controller monitors the room temperature sensor and modulates the supply air damper between minimum and maximum cfm settings to maintain the room temperature at set point.

Unoccupied

The terminal unit is controlled using the night set point. The controller may reset to the Occupied mode for a predetermined time period upon a signal from the control system or manually at the room sensor.

10. OPERATING ROOM CONTROL

Supply Exhaust Tracking Zones for Operating Rooms (Venturi Air Control Valves)

1. The stand-by/occupied mode of each zone shall be determined by a ceiling mounted occupancy sensor (provided and installed by this division). In the occupied mode, the supply Venturi valve shall control to the occupied minimum ventilation setting (see air control valve schedule for airflow rate) in the dead band and heating modes. The same controller shall control the exhaust flow rate and modulate the exhaust valve to maintain a programmed differential between the supply and exhaust. If the space temperature is below the heating setpoint the controller shall modulate the reheat coil valve. On an increase in temperature above the cooling setpoint the controller shall modulate the supply valve subject to maximum volume setting to maintain the space temperature cooling setpoint. The exhaust valve shall track the supply to maintain the preprogrammed differential flow rate. A discharge air temperature sensor shall provide for remote monitoring of the supply air temperature.
2. In the stand-by mode, as determined by the central control unit, the stand-by temperature setpoint shall be 3° lower (adj.) for heating and 3° higher (adj.) for cooling and ventilation setpoint shall be reduced to a minimum of 6 air changes per hour(see air control valve schedule for airflow rate).
3. A room pressure monitor shall provide visual alarm and audible alarm if the pressure differential falls below the programmed limit. Interlock monitor with door switch to prevent alarm if door is opened.
4. A duct mounted humidity sensor shall be mounted in the main return duct for the air handling unit. A control loop sensing the duct humidity sensor and operating room space humidity sensors shall modulate the steam humidifier valve to maintain the space humidity setpoint of 30% RH subject to discharge high limit of 85%.
5. A wall mounted humidity monitor shall be provided in each operating room. The humidity monitor shall include a visual display to the operator and be tied into the building automation system. A trend log will be set up for each humidity sensor and output to a user accessible location for access and download by facility users. Coordinate control points (ie. temperature, humidity, etc), monitoring frequency, and trend log duration with facility users.

11. GLYCOL FEED SYSTEM

The glycol feed system shall come with all control devices and controllers as necessary to provide a complete and operable system. The ATC contractor shall provide all interlock wiring necessary. The FMCS monitors a call for glycol makeup as well as a low level alarm on the glycol fill tank.

12. UNIT HEATER (UH-1)

The unit heater is located in the service vestibule of the roof mounted air handler for freeze protection. A space temperature sensor, acting through a DDC controller shall control the heating coil valve and supply fan to maintain desired space temperature. The fan shall run whenever the valve is activated. The BMS shall monitor the space temperature & alarm if the space drops below 45 degrees (adj.).

13. ROOM PRESSURE MONITORS

Room pressure monitors shall be provided for visual and audible alarm if the pressure differential falls below the programmed limit. Each monitor shall be interlocked with the associated door switch (by this division) to prevent alarm if door is opened. Room pressure monitors shall be installed in the following locations as identified on the plans:

1. OR 1 A461
2. OR 2 A448
3. OR 3 A431
4. STERILE PROCESSING A465
5. DECONTAMINATION A464

14. PURE WATER (DI SYSTEM)

The system shall operate from factory furnished controls. Provide interlock wiring between the storage tank and pure water controller. Provide remote alarm monitoring of factory furnished controls for outlet water quality alarm, conductivity alarm, storage tank low level alarm and Pure water pump failure.

The BAS shall monitor and control the pure water system repressure pumps (P-1 & P&2). The two pumps shall operate in a primary/standby fashion. The lead pump shall run first. On failure of the primary pump the standby pump shall run and the primary pump shall be off. The designated primary pump shall rotate on a weekly basis. The pure water pump shall operate continuously unless turned off manually or through a software switch. Alarms shall be provided as follows:

- Failure: commanded on, but the status is off.
- Running in Hand: Commanded off, but the status is on.

15. MEDICAL GAS ALARM PANELS

Provide wiring in accordance with the manufacturers instructions. Provide wiring between the pipe sensors and the area alarm panel located as shown on the drawings. The wiring responsibility of the ATC contractor is limited to wiring not shown on Division 26 drawings. The DDC system will monitor and alarm the compressed air, instrument air, medical air and vacuum thru the BacNET interface.

END OF SECTION

SECTION 23 21 13 - HYDRONIC PIPING

PART 1 - GENERAL

1.1 RELATED DOCUMENTS

- A. Drawings and general provisions of the Contract, including General and Supplementary Conditions and Division 01 Specification Sections, apply to this Section.

1.2 SUMMARY

- A. Section includes pipe and fitting materials and joining methods for the following:
 - 1. Hot-water heating piping.
 - 2. Chilled-water piping.
 - 3. Makeup-water piping.
 - 4. Condensate-drain piping.
 - 5. Air-vent piping.
 - 6. Dielectric fittings.

1.3 ACTION SUBMITTALS

- A. Product Data: For each type of the following:
 - 1. Steel pipe and fittings.
 - 2. Copper pipe, tubing and fittings.
 - 3. Dielectric fittings.
- B. Delegated-Design Submittal:
 - 1. Design calculations and detailed fabrication and assembly of pipe anchors and alignment guides, hangers and supports for multiple pipes, expansion joints and loops, and attachments of the same to the building structure.
 - 2. Locations of pipe anchors and alignment guides and expansion joints and loops.
 - 3. Locations of and details for penetrations, including sleeves and sleeve seals for exterior walls, floors, basement, and foundation walls.

1.4 INFORMATIONAL SUBMITTALS

- A. Coordination Drawings: Piping layout, drawn to scale, on which the following items are shown and coordinated with each other, using input from installers of the items involved:
 - 1. Suspended ceiling components.
 - 2. Other building services.
 - 3. Structural members.

- B. Qualification Data: For Installer.
- C. Welding certificates.
- D. Field quality-control reports: Written reports as specified in Part 3 of this section including:
 - 1. Test procedures used.
 - 2. Test results showing compliance with specified requirements.
 - 3. Failed test results with corrective action taken to achieve compliance with specified requirements.

1.5 QUALITY ASSURANCE

- A. Steel Support Welding: Qualify procedures and personnel according to AWS D1.1/D1.1M, "Structural Welding Code - Steel."
- B. Pipe Welding: Qualify procedures and operators according to ASME Boiler and Pressure Vessel Code: Section IX.
 - 1. Comply with ASME B31.9, "Building Services Piping," for materials, products, and installation.
 - 2. Certify that each welder has passed AWS qualification tests for welding processes involved and that certification is current.

1.6 COORDINATION

- A. Coordinate layout and installation of hydronic piping and suspension system components with other construction, including light fixtures, HVAC equipment, fire-suppression-system components, and partition assemblies.
- B. Coordinate pipe sleeve installations for foundation wall penetrations.
- C. Coordinate piping installation with roof curbs, equipment supports, and roof penetrations. Roof specialties are specified in Division 7 Sections.
- D. Coordinate pipe fitting pressure classes with products specified in related sections.
- E. Coordinate size and location of concrete bases. Cast anchor-bolt inserts into base. Concrete, reinforcement, and formwork requirements are specified in Division 3 Sections.
- F. Coordinate installation of pipe sleeves for penetrations through exterior walls and floor assemblies. Coordinate with requirements for firestopping specified in Division 7 Section "Through-Penetration Firestop Systems" for fire and smoke wall and floor assemblies.

PART 2 - PRODUCTS

2.1 COPPER TUBE AND FITTINGS

- A. **Drawn-Temper Copper Tubing: ASTM B 88, Type L.**

2.2 STEEL PIPE AND FITTINGS

- A. Steel Pipe: ASTM A 53, black steel with plain ends; welded and seamless, Grade B, and wall thickness as indicated in "Piping Applications" Article.
- B. Cast-Iron Threaded Fittings: ASME B16.4; Classes 125 and 250 as indicated in "Piping Applications" Article.
- C. Malleable-Iron Threaded Fittings: ASME B16.3, Classes 150 and 300 as indicated in "Piping Applications" Article.
- D. Malleable-Iron Unions: ASME B16.39; Classes 150, 250, and 300 as indicated in "Piping Applications" Article.
- E. Cast-Iron Pipe Flanges and Flanged Fittings: ASME B16.1, Classes 25, 125, and 250; raised ground face, and bolt holes spot faced as indicated in "Piping Applications" Article.
- F. Wrought-Steel Fittings: ASTM A 234, wall thickness to match adjoining pipe.
- G. Wrought Cast- and Forged-Steel Flanges and Flanged Fittings: ASME B16.5, including bolts, nuts, and gaskets of the following material group, end connections, and facings:
1. Material Group: 1.1.
 2. End Connections: Butt welding.
 3. Facings: Raised face.
- H. Forged Steel "Olet" Type Fittings, Welding, Socket-Welding and Threaded: ASME B16.11 and ASTM A105.
1. Welding Filler Metals: Comply with AWS D10.12M/D10.12 for welding materials appropriate for wall thickness and chemical analysis of steel pipe being welded.
- I. Steel Pipe Nipples: ASTM A 733, made of same materials and wall thicknesses as pipe in which they are installed.

2.3 JOINING MATERIALS

- A. Pipe-Flange Gasket Materials: Suitable for chemical and thermal conditions of piping system contents.
1. ASME B16.21, nonmetallic, flat, asbestos free, 1/8-inch (3.2-mm) maximum thickness unless otherwise indicated.

- a. Full-Face Type: For flat-face, Class 125, cast-iron and cast-bronze flanges.
 - b. Narrow-Face Type: For raised-face, Class 250, cast-iron and steel flanges.
- B. Flange Bolts and Nuts: ASME B18.2.1, carbon steel, unless otherwise indicated.
- C. Solder Filler Metals: ASTM B 32, lead-free alloys. Include water-flushable flux according to ASTM B 813.
- D. Brazing Filler Metals: AWS A5.8, BCuP Series, copper-phosphorus alloys for joining copper with copper; or BAg-1, silver alloy for joining copper with bronze or steel.
- E. Welding Filler Metals: Comply with AWS D10.12M/D10.12 for welding materials appropriate for wall thickness and chemical analysis of steel pipe being welded.

2.4 DIELECTRIC FITTINGS

- A. General: Assembly or fitting with insulating material isolating joined dissimilar metals, to prevent galvanic action and stop corrosion.
- 1. Manufacturers:
 - a. Advance Products & Systems, Inc.
 - b. Calpico, Inc. Capitol Manufacturing Co.
 - c. Capitol Manufacturing Company.
 - d. Central Plastics Company.
 - e. Elster Perfection.
 - f. Grinnell Mechanical Products.
 - g. Matco-Norca.
 - h. Pipeline Seal and Insulator, Inc.
 - i. Precision Plumbing Products, Inc.
 - j. Victaulic Company.
 - k. Watts Regulator Co.
 - l. Zurn Industries, LLC.
- B. Description: Combination of copper alloy and ferrous; threaded, solder, plain, and weld-neck end types and matching piping system materials.
- C. Insulating Material: Suitable for system fluid, pressure, and temperature.
- D. **End Connections:** Threaded, or flanged.
- E. Dielectric Couplings: Galvanized-steel coupling with inert and noncorrosive, thermoplastic lining; threaded ends; and **300-psig** minimum working pressure at **225 deg F**.
- F. Dielectric Nipples or Waterways: Electroplated steel with inert and noncorrosive, thermoplastic lining; plain, threaded, or grooved ends; and **300-psig** minimum working pressure at **225 deg F**.

PART 3 - EXECUTION

3.1 PIPING APPLICATIONS

- A. Hot-water heating piping, aboveground, NPS 2 and smaller shall be **any of** the following:
1. **Type L** drawn-temper copper tubing, wrought-copper fittings, and **soldered** joints.
 2. **Schedule 40**, Grade B, Type 96 steel pipe; **Class 125, cast-iron** fittings; cast-iron flanges and flange fittings; and threaded joints.
- B. Hot-water heating piping, aboveground, NPS 2-1/2 and larger, shall be **any of** the following:
1. **Type L**, drawn-temper copper tubing, wrought-copper fittings, and soldered joints.
 2. **Schedule 40** steel pipe, wrought-steel fittings and wrought-cast or forged-steel flanges and flange fittings, and welded and flanged joints.
- C. Chilled-water piping, aboveground, NPS 2 and smaller, shall be **any of** the following:
1. **Type L**, drawn-temper copper tubing, wrought-copper fittings, and **soldered** joints.
 2. **Schedule 40**, Grade B, Type 96 steel pipe; **Class 125, cast-iron** fittings; cast-iron flanges and flange fittings; and threaded joints.
- D. Chilled-water piping, aboveground, NPS 2-1/2 and larger, shall be **[any of]** the following:
1. **Type L**, drawn-temper copper tubing, wrought-copper fittings, and **soldered** joints.
 2. **Schedule 40** steel pipe, wrought-steel fittings and wrought-cast or forged-steel flanges and flange fittings, and welded and flanged joints.
- E. Makeup-water piping installed aboveground shall be **[any of]** the following:
1. **Type L**, drawn-temper copper tubing, wrought-copper fittings, and **soldered** joints.
- F. Blowdown-Drain Piping: Same materials and joining methods as for piping specified for the service in which blowdown drain is installed.
- G. Air-Vent Piping:
1. Inlet: Same as service where installed with metal-to-plastic transition fittings for plastic piping systems according to piping manufacturer's written instructions.
 2. Outlet: Type K, annealed-temper copper tubing with soldered or flared joints.

- H. Safety-Valve-Inlet and -Outlet Piping for Hot-Water Piping: Same materials and joining methods as for piping specified for the service in which safety valve is installed with metal-to-plastic transition fittings for plastic piping systems according to piping manufacturer's written instructions.

3.2 PIPING INSTALLATIONS

A. PRE-WORK / PRE-REQUISITES

1. Drawing plans, schematics, and diagrams indicate general location and arrangement of piping systems. Install piping as indicated unless deviations to layout are approved on Coordination Drawings.
2. The Contractor shall study the architectural, structural, mechanical, electrical and other drawings to eliminate conflict of piping with other structure lighting or other services.

B. CONDITION

1. All installed pipe lines shall be free from dents, scars, and burrs, with ends reamed smooth.
2. All piping shall be clean and free from acids and loose dirt when installed and shall be kept clean during the completion of the installation.
3. Install piping free of sags and bends.
4. All installed pipe lines shall remain straight against strains tending to cause distortion during system operation. The contractor shall make proper allowance for pipe line expansion and contraction so that no unsightly distortion, noise, damage or improper operation results therefrom.

C. SELECTION

1. Select system components with pressure rating equal to or greater than system operating pressure.
2. No street type fittings shall be used.
3. No short nipples shall be used except at drain valves.
4. Plugs of rags, wools, cottons, waste, or similar materials may not be used for plugging.

D. ROUTING/ARRANGEMENT

1. Piping installations shall be neatly organized.
2. Install piping in concealed locations unless otherwise indicated and except in equipment rooms and service areas.

3. Install groups of pipes parallel to each other.
4. Install piping spaced to permit application of insulation.
5. Install piping parallel and spaced to permit the servicing of valves.
6. Install piping indicated to be exposed and piping in equipment rooms and service areas at right angles or parallel to building walls or axis of the building.
7. Diagonal runs are prohibited unless specifically indicated otherwise.
8. Install fittings for all changes in direction.
9. No piping shall be run above any electrical panels, electrical equipment or access clearances for electrical for electrical panels or equipment. No piping shall be allowed to run through any electrical rooms.
10. Piping shall be arranged, placed and installed to facilitate equipment maintenance and shall be so arranged to not interfere with the installation of the air-conditioning equipment, ducts, or the removal of other equipment or devices. All specialties shall be so placed to permit easy operation and access.
11. All piping shall be so installed to insure noiseless circulation.
12. Install fittings for all branch connections.
13. Unless otherwise indicated, install branch connections to mains using tee fittings or forged steel branch fittings in main pipe, with the branch connected to the bottom of the main pipe.
14. For up-feed risers, connect the branch to the top of the main pipe.
15. Forged branch fittings shall be installed per the manufacturer's recommendations.

E. ACCESS / ARRANGEMENT

1. Install piping above accessible ceilings to allow sufficient space for ceiling panel removal. All piping shall be so arranged to not block access to manholes, access openings, etc.
2. Install piping at indicated slopes. If not indicated, install piping at a uniform grade of 0.2 percent where possible, upward in direction of flow. Traps are to be avoided where-ever possible.
3. Reduce pipe sizes using eccentric reducer fitting installed with level side up.
4. When insulated pipes are supported by a roller hanger they shall be protected from damage by suitable pipe covering protection saddles. Saddles shall support pipe on roller and shall be packed with insulation.
5. Install valves according to Section 230523 "General-Duty Valves for HVAC Piping."

6. Install unions in piping, NPS 2 and smaller, adjacent to valves, at final connections of equipment, at each coil on all sides of automatic valves where valves do not have union connections, elsewhere as indicated, and wherever necessary to prevent undue difficulty in making repairs or replacement. Unions are not required at flanged connections.
7. Install flanges in piping, NPS 2-1/2 and larger, at final connections of equipment and elsewhere as indicated. Install flanges on valves, apparatus, and equipment having 2 ½ inch NPS and larger connections. Flanges or unions as applicable for the type of piping specified, shall be provided in the piping at connections to all items of equipment.
8. Install shutoff valve immediately upstream of each dielectric fitting. Install dielectric coupling and nipple fittings to connect piping materials of dissimilar metals.
9. Comply with requirements in Section 230516 "Expansion Fittings and Loops for HVAC Piping" for installation of expansion loops, expansion joints, anchors, and pipe alignment guides. Anchor piping for proper direction of expansion and contraction.
10. Install sleeves for piping penetrations of walls, ceilings, and floors. Comply with requirements for sleeves specified in Section 230517 "Sleeves and Sleeve Seals for HVAC Piping."
11. Install sleeve seals for piping penetrations of concrete walls and slabs. Comply with requirements for sleeve seals specified in Section 230517 "Sleeves and Sleeve Seals for HVAC Piping."
12. Install escutcheons for piping penetrations of walls, ceilings, and floors. Comply with requirements for escutcheons specified in Section 230518 "Escutcheons for HVAC Piping."
13. Install strainers on supply side of each control valve, pressure-reducing valve, solenoid valve, in-line pump, and elsewhere as indicated. Install NPS ¾) nipple and ball valve in blow-down connection of strainers NPS 2) and larger. Match size of strainer blow-off connection for strainers smaller than NPS 2).
14. Install flexible connectors at inlet and discharge connections to pumps (except inline pumps) and other vibration-producing equipment.
15. Polypropylene pipe in or passing through plenums must be fire wrapped or installed in a metal conduit.

F. DRAINAGE

1. Drain valves shall be installed at all low points in all piping systems to allow for complete drainage of piping systems.

2. Install drains, consisting of a tee fitting, NPS 3/4 ball valve, and short NPS 3/4 threaded nipple with cap, at low points in piping system mains and elsewhere as required for system drainage.
3. All piping systems shall be installed so that they can be easily drained by means of drainage of low points of all piping without disconnecting pipe.
4. If not specifically indicated on the drawings, the frequency of draining shall determine whether drain caps, plugs, cocks, or valves are to be used.

G. IDENTIFICATION

1. Comply with requirements in Section 230553 "Identification for HVAC Piping and Equipment" for identifying piping.

3.3 DIELECTRIC FITTING INSTALLATION

A. Make connections according to the following, unless otherwise indicated:

1. **Install dielectric nipples or waterways** in piping NPS 2 and smaller, adjacent to each valve and at final connection to each piece of equipment.
2. Install **waterways**, in piping NPS 2-1/2 and larger, adjacent to flanged valves and at final connection to each piece of equipment.
3. Install Dielectric Fittings into Hydronic Piping Systems: Install dielectric nipples, waterways or couplings to connect piping materials of dissimilar metals.
4. **End Connections: Threaded, or flanged.**

3.4 HANGERS AND SUPPORTS

- A. Comply with requirements in Section 230529 "Hangers and Supports for HVAC Piping and Equipment" for hanger, support, and anchor devices. Comply with the following requirements for maximum spacing of supports.
- B. Comply with requirements in Section 230548 "Vibration and Seismic Controls for HVAC" for seismic restraints.
- C. Steel roof deck shall not be used to support loads from piping, ductwork or equipment, unless noted otherwise. Hanger loads less than 50 lbs. may be hung from the steel roof deck in cases when hanging from the steel roof deck cannot be avoided; the attachment method must distribute the load across the deck as approved by the Structural Engineer.
- D. Install the following pipe attachments:
 1. Adjustable steel clevis hangers for individual horizontal piping less than 20 feet long.

2. Adjustable roller hangers and spring hangers for individual horizontal piping 20 feet or longer.
 3. Pipe Roller: MSS SP-58, Type 44 for multiple horizontal piping 20 feet or longer, supported on a trapeze.
 4. Spring hangers to support vertical runs.
 5. Provide copper-clad hangers and supports for hangers and supports in direct contact with copper pipe.
 6. On plastic pipe, install pads or cushions on bearing surfaces to prevent hanger from scratching pipe.
- E. Install hangers for steel piping with the following maximum spacing and minimum rod sizes:
1. NPS 3/4: Maximum span, 7 feet; minimum rod size, 3/8 inch.
 2. NPS 1: Maximum span, 7 feet; minimum rod size, 3/8 inch.
 3. NPS 1-1/2: Maximum span, 9 feet; minimum rod size, 3/8 inch.
 4. NPS 2: Maximum span, 10 feet; minimum rod size, 3/8 inch.
 5. NPS 2-1/2: Maximum span, 11 feet; minimum rod size, 1/2 inch.
 6. NPS 3 and Larger: Maximum span, 12 feet; minimum rod size, 1/2 inch.
- F. Install hangers for drawn-temper copper piping with the following maximum spacing and minimum rod sizes:
1. NPS 3/4: Maximum span, 5 feet; minimum rod size, 1/4 inch.
 2. NPS 1: Maximum span, 6 feet; minimum rod size, 1/4 inch.
 3. NPS 1-1/4: Maximum span, 7 feet; minimum rod size, 3/8 inch.
 4. NPS 1-1/2: Maximum span, 8 feet; minimum rod size, 3/8 inch.
 5. NPS 2: Maximum span, 8 feet; minimum rod size, 3/8 inch.
 6. NPS 2-1/2: Maximum span, 9 feet; minimum rod size, 3/8 inch.
 7. NPS 3 and Larger: Maximum span, 10 feet; minimum rod size, 3/8 inch.
- G. Fiberglass Piping Hanger Spacing: Space hangers according to pipe manufacturer's written instructions for service conditions. Avoid point loading. Space and install hangers with the fewest practical rigid anchor points.
- H. Support vertical runs at roof, at each floor, and at 10-foot intervals between floors.
- I. Support piping and tubing not listed in this article according to MSS SP-69 and manufacturer's written instructions.

3.5 PIPE JOINT CONSTRUCTION

- A. Ream ends of pipes and tubes and remove burrs. Bevel plain ends of steel pipe.
- B. Remove scale, slag, dirt, and debris from inside and outside of pipe and fittings before assembly.
- C. Soldered Joints: Apply ASTM B 813, water-flushable flux, unless otherwise indicated, to tube end. Construct joints according to ASTM B 828 or CDA's "Copper Tube Handbook," using lead-free solder alloy complying with ASTM B 32.

- D. Brazed Joints: Construct joints according to AWS's "Brazing Handbook," "Pipe and Tube" Chapter, using copper-phosphorus brazing filler metal complying with AWS A5.8.
- E. Threaded Joints: Thread pipe with tapered pipe threads according to ASME B1.20.1. Cut threads full and clean using sharp dies. Ream threaded pipe ends to remove burrs and restore full ID. Join pipe fittings and valves as follows:
 - 1. Apply appropriate tape or thread compound to external pipe threads unless dry seal threading is specified.
 - 2. Damaged Threads: Do not use pipe or pipe fittings with threads that are corroded or damaged. Do not use pipe sections that have cracked or open welds.
- F. Welded Joints: Construct joints according to AWS D10.12M/D10.12, using qualified processes and welding operators according to "Quality Assurance" Article.
- G. Flanged Joints: Select appropriate gasket material, size, type, and thickness for service application. Install gasket concentrically positioned. Use suitable lubricants on bolt threads.

3.6 TERMINAL EQUIPMENT CONNECTIONS

- A. Sizes for supply and return piping connections shall be the same as or larger than equipment connections.
- B. Install control valves in accessible locations close to connected equipment.

3.7 FIELD QUALITY CONTROL

- A. Prepare hydronic piping according to ASME B31.9 and as follows:
 - 1. Leave joints, including welds, uninsulated and exposed for examination during test.
 - 2. Provide temporary restraints for expansion joints that cannot sustain reactions due to test pressure. If temporary restraints are impractical, isolate expansion joints from testing.
 - 3. Flush hydronic piping systems with clean water; then remove and clean or replace strainer screens.
 - 4. Isolate equipment from piping. If a valve is used to isolate equipment, its closure shall be capable of sealing against test pressure without damage to valve. Install blinds in flanged joints to isolate equipment.
 - 5. Install safety valve, set at a pressure no more than one-third higher than test pressure, to protect against damage by expanding liquid or other source of overpressure during test.
- B. Perform the following tests on hydronic piping:
 - 1. Use ambient temperature water as a testing medium unless there is risk of damage due to freezing. Another liquid that is safe for workers and compatible with piping may be used.

2. While filling system, use vents installed at high points of system to release air. Use drains installed at low points for complete draining of test liquid.
 3. Isolate expansion tanks and determine that hydronic system is full of water.
 4. Subject piping system to hydrostatic test pressure that is not less than 1.5 times the system's working pressure. Test pressure shall not exceed maximum pressure for any vessel, pump, valve, or other component in system under test. Verify that stress due to pressure at bottom of vertical runs does not exceed 90 percent of specified minimum yield strength or 1.7 times the "SE" value in Appendix A in ASME B31.9, "Building Services Piping."
 5. After hydrostatic test pressure has been applied for at least 10 minutes, examine piping, joints, and connections for leakage. Eliminate leaks by tightening, repairing, or replacing components, and repeat hydrostatic test until there are no leaks.
 6. Prepare written report of testing.
- C. Perform the following before operating the system:
1. Open manual valves fully.
 2. Inspect pumps for proper rotation.
 3. Set makeup pressure-reducing valves for required system pressure.
 4. Inspect air vents at high points of system and determine if all are installed and operating freely (automatic type), or bleed air completely (manual type).
 5. Set temperature controls so all coils are calling for full flow.
 6. Inspect and set operating temperatures of hydronic equipment, such as boilers, chillers, cooling towers, to specified values.
 7. Verify lubrication of motors and bearings.

END OF SECTION

SECTION 23 21 16 - HYDRONIC PIPING SPECIALTIES

PART 1 - GENERAL

1.1 RELATED DOCUMENTS

- A. Drawings and general provisions of the Contract, including General and Supplementary Conditions and Division 01 Specification Sections, apply to this Section.

1.2 SUMMARY

- A. Section includes special-duty valves and specialties for the following:
 - 1. Hot-water heating piping.
 - 2. Makeup-water piping.
 - 3. Condensate-drain piping.
 - 4. Air-vent piping.

1.3 ACTION SUBMITTALS

- A. Product Data: For each type of the following:
 - 1. Valves: Include flow and pressure drop curves based on manufacturer's testing for calibrated-orifice balancing valves and automatic flow-control valves.
 - 2. Air-control devices.
 - 3. Hydronic specialties.

1.4 CLOSEOUT SUBMITTALS

- A. Operation and Maintenance Data: For air-control devices, hydronic specialties, and special-duty valves to include in emergency, operation, and maintenance manuals.

1.5 QUALITY ASSURANCE

- A. Pipe Welding: Qualify procedures and operators according to ASME Boiler and Pressure Vessel Code: Section IX.
 - 1. Safety valves and pressure vessels shall bear the appropriate ASME label. Fabricate and stamp air separators and expansion tanks to comply with ASME Boiler and Pressure Vessel Code: Section VIII, Division 1.

PART 2 - PRODUCTS

2.1 VALVES

- A. **Globe, Check, Ball, and Butterfly Valves:** Comply with requirements specified in Section 230523 "General-Duty Valves for HVAC Piping. Gate valves are not allowed on this project.
- B. Automatic Temperature-Control Valves, Actuators, and Sensors: Comply with requirements specified in Section 230900 "Instrumentation and Control for HVAC.
- C. Refer to Part 3 "Valve Applications" Article for applications of each valve.
- D. Bronze, Calibrated-Orifice or Venturi, Balancing Valves, NPS 2 and smaller:
1. Manufacturers: Subject to compliance with requirements, provide products by one of the following:
 - a. Armstrong Pumps, Inc.
 - b. Bell & Gossett Domestic Pump.
 - c. Flow Design Inc.
 - d. Gerand Engineering Co.
 - e. Griswold Controls.
 - f. Taco.
 - g. Tour & Andersson; available through Victaulic Company.
 - h. Nexus Valve, Inc.
 2. Body: Bronze, ball or plug type with calibrated orifice or venturi.
 3. Ball: Brass or stainless steel.
 4. Plug: Resin.
 5. Seat: PTFE.
 6. End Connections: Threaded or socket.
 7. Pressure Gage Connections: Integral seals for portable differential pressure meter.
 8. Handle Style: Lever, with memory stop to retain set position.
 9. CWP Rating: Minimum **125 psig**.
 10. Maximum Operating Temperature: **250 deg F**.
- E. Cast-Iron or Steel, Calibrated-Orifice or Venturi, Balancing Valves, NPS 2 ½ and larger:
1. Manufacturers: Subject to compliance with requirements, provide products by one of the following:
 - a. Amtrol, Inc.
 - b. Armstrong Pumps, Inc.
 - c. Bell & Gossett Domestic Pump.
 - d. Flow Design Inc.
 - e. Gerand Engineering Co.

- f. Grinnell.
 - g. Griswold Controls.
 - h. Taco.
 - i. Tour & Andersson; available through Victaulic Company.
 - j. Spence Engineering Company Inc.
 - k. Watts Regulator Co.
 - l. Nexus Valve, Inc.
2. Body: Cast-iron or steel body, ball, plug, or globe pattern with calibrated orifice or venturi.
 3. Ball: Brass or stainless steel.
 4. Stem Seals: EPDM O-rings.
 5. Disc: Glass and carbon-filled PTFE.
 6. Seat: PTFE.
 7. End Connections: Flanged or grooved.
 8. Pressure Gage Connections: Integral seals for portable differential pressure meter.
 9. Handle Style: Lever, with memory stop to retain set position.
 10. CWP Rating: Minimum **125 psig**.
 11. Maximum Operating Temperature: **250 deg F**.
- F. Diaphragm-Operated, Pressure-Reducing Valves: ASME labeled.
1. Manufacturers: Subject to compliance with requirements, provide products by one of the following:
 - a. Amtrol, Inc.
 - b. Armstrong Pumps, Inc.
 - c. Bell & Gossett Domestic Pump.
 - d. Conbraco Industries, Inc.
 - e. Spence Engineering Company, Inc.
 - f. Watts Regulator Co.
 2. Body: Bronze or brass.
 3. Disc: Glass and carbon-filled PTFE.
 4. Seat: Brass.
 5. Stem Seals: EPDM O-rings.
 6. Diaphragm: EPT.
 7. Low inlet-pressure check valve.
 8. Inlet Strainer: **Brass**, removable without system shutdown.
 9. Valve Seat and Stem: Noncorrosive.
 10. Valve Size, Capacity, and Operating Pressure: Selected to suit system in which installed, with operating pressure and capacity factory set and field adjustable.
- G. Diaphragm-Operated Safety Valves: ASME labeled.
1. Manufacturers: Subject to compliance with requirements, provide products by one of the following:
 - a. Amtrol, Inc.
 - b. Armstrong Pumps, Inc.

- c. Bell & Gossett Domestic Pump.
 - d. Conbraco Industries, Inc.
 - e. Kunkle.
 - f. Spence Engineering Company, Inc.
2. Body: Bronze or brass.
 3. Disc: Glass and carbon-filled PTFE.
 4. Seat: Brass.
 5. Stem Seals: EPDM O-rings.
 6. Diaphragm: EPT.
 7. Wetted, Internal Work Parts: Brass and rubber.
 8. Inlet Strainer: **Brass**, removable without system shutdown.
 9. Valve Seat and Stem: Noncorrosive.
 10. Valve Size, Capacity, and Operating Pressure: Comply with ASME Boiler and Pressure Vessel Code: Section IV, and selected to suit system in which installed, with operating pressure and capacity factory set and field adjustable.
- H. Automatic Flow-Control Valves:
1. Manufacturers: Subject to compliance with requirements, provide products by one of the following:
 - a. Armstrong Pumps, Inc.
 - b. Bell & Gossett Domestic Pump.
 - c. Flow Design Inc.
 - d. Griswold Controls.
 - e. Taco
 - f. Nexus Valve, Inc.
 2. Body: Brass or ferrous metal.
 3. Piston and Spring Assembly: Tamper proof, self-cleaning, and removable, for inspections and replacement.
 - a. **Corrosion resistant.**
 4. Combination Assemblies: Include bronze or brass-alloy ball valve.
 5. Identification Tag: Attached by chain and marked with zone identification, valve number, and flow rate.
 6. Size: Same as pipe in which installed.
 7. Performance: Maintain constant flow, plus or minus 5 percent over system pressure fluctuations:
 - a. **Minimum CWP Rating: 175 psig.**
 8. **Maximum Operating Temperature: 200 deg F.**
 9. Fitted with pressure and temperature test valves.
 10. Equipped with a readout kit including flow meter, probes, hoses, flow charts, and carrying case.

2.2 AIR-CONTROL DEVICES

A. Manual Air Vents:

1. Manufacturers: Subject to compliance with requirements, provide products by one of the following:
 - a. Amtrol, Inc.
 - b. Armstrong Pumps, Inc.
 - c. Bell & Gossett Domestic Pump.
 - d. Taco, Inc.
 2. Body: Bronze.
 3. Internal Parts: Nonferrous.
 4. Operator: Screwdriver or thumbscrew.
 5. Manually operated with ball valve in the down position.
 6. Inlet Connection: **NPS 1/2**.
 7. Discharge Connection: **NPS 1/8**.
 8. CWP Rating: **150 psig**.
 9. Maximum Operating Temperature: **225 deg F**.
- B. Automatic Air Vents:
1. Manufacturers: Subject to compliance with requirements, provide products by one of the following:
 - a. Amtrol, Inc.
 - b. Bell & Gossett Domestic Pump.
 - c. Hoffman Specialty ITT; Fluid Handling Div.
 - d. Spirax-Sarco.
 - e. Spirovent.
 - f. Taco, Inc.
 - g. Honeywell-Baukman.
 2. Body: Bronze or cast iron.
 3. Internal Parts: Nonferrous.
 4. Operator: Noncorrosive metal float.
 5. Inlet Connection: **NPS 1/2**.
 6. Discharge Connection: **NPS 1/4**.
 7. CWP Rating: **150 psig**.
 8. Maximum Operating Temperature: **240 deg F**.
- C. **Bladder** -Type Expansion Tanks:
1. Manufacturers: Subject to compliance with requirements, provide products by one of the following:
 - a. Amtrol, Inc.
 - b. Armstrong Pumps, Inc.
 - c. Bell & Gossett Domestic Pump.
 - d. Taco, Inc.
 2. Tank: Welded steel, rated for **125-psig** working pressure and **240 deg F** maximum operating temperature. Factory test after taps are fabricated and supports

installed and are labeled according to ASME Boiler and Pressure Vessel Code: Section VIII, Division 1.

3. **Bladder** : Securely sealed into tank to separate air charge from system water to maintain required expansion capacity.
4. Air-Charge Fittings: Schrader valve, stainless steel with EPDM seats.
5. Access: Drain fitting and taps for pressure gage.
6. Support:
 - a. Vertical tanks with steel legs or base.
 - b. Horizontal tanks with steel saddles.

D. Tangential-Type Air Separators:

1. Manufacturers: Subject to compliance with requirements, provide products by one of the following:
 - a. Amtrol, Inc.
 - b. Armstrong Pumps, Inc.
 - c. Bell & Gossett Domestic Pump.
 - d. Taco, Inc.
2. Tank: Welded steel; ASME constructed and labeled for **125-psig** minimum working pressure and **240 deg F** maximum operating temperature.
3. Air Collector Tube: Perforated stainless steel, constructed to direct released air into expansion tank.
4. Tangential Inlet and Outlet Connections: Threaded for **NPS 2** and smaller; flanged connections for **NPS 2-1/2** and larger.
5. Blowdown Connection: Threaded.
6. Size: Match system flow capacity.

2.3 HYDRONIC PIPING SPECIALTIES

A. Y-Pattern Strainers:

1. Manufacturers: Subject to compliance with requirements, provide products by one of the following:
 - a. Armstrong Machine Works.
 - b. Hoffman Specialty ITT; Fluid Handling Div.
 - c. Metraflex Co.
 - d. Mueller
 - e. Spirax Sarco.
 - f. Trane Co.
 - g. Tour & Andersson; available through Victaulic Company.
 - h. Watts Regulator Co.
 - i. Nexus Valve
2. Body: ASTM A 126, Class B, cast iron with bolted cover and bottom drain connection.

3. End Connections: Threaded ends for **NPS 2** and smaller; flanged ends for **NPS 2-1/2** and larger.
 4. Strainer Screen: Stainless-steel, or perforated stainless-steel basket:
 - a. **20**-mesh strainer.
 5. CWP Rating: **125 psig**.
- B. Basket Strainers:
1. Manufacturers: Subject to compliance with requirements, provide products by one of the following:
 - a. Crane Co.
 - b. Metraflex Co.
 - c. Mueller
 - d. Spirax Sarco.
 - e. Tour & Andersson; available through Victaulic Company.
 2. Body: ASTM A 126, Class B, high-tensile cast iron with bolted cover and bottom drain connection.
 3. End Connections: Threaded ends for **NPS 2** and smaller; flanged ends for **NPS 2-1/2** and larger.
 4. Strainer Screen: Perforated stainless-steel basket with 50 percent free area:
 - a. **40-mesh startup strainer**.
 5. CWP Rating: **125 psig**.
- C. Spherical, Rubber, Flexible Connectors:
1. Manufacturers: Subject to compliance with requirements, provide products by one of the following:
 - a. Amber-Booth.
 - b. Mason Industries.
 - c. Metraflex Co.
 - d. Flex-Weld.
 - e. Fugate.
 - f. Twin City Hose.
 - g. Nexus Valve, Inc.
 2. Body: Double-sphere fiber-reinforced EPDM rubber body.
 3. End Connections: Steel flanges drilled to align with Classes 150 and 300 steel flanges.
 4. Performance: Capable of misalignment.
 5. CWP Rating: **150 psig**.
 6. Maximum Operating Temperature: **250 deg F**.
- D. Diverting Fittings:
1. Manufacturers: Subject to compliance with requirements, provide products by one of the following:

- a. Amtrol, Inc.
 - b. Armstrong Pumps, Inc.
 - c. Bell & Gossett Domestic Pump.
 - d. Taco, Inc.
2. Body: Cast Iron or Wrought Copper
 3. Ends: Threaded or Soldered
 4. Flow Direction: Indicated on fitting.
 5. CWP Rating: **125 psig**.
 6. Maximum Operating Temperature: **250 deg F**.

PART 3 - EXECUTION

3.1 VALVE APPLICATIONS

- A. Install shutoff-duty valves at each branch connection to supply mains and at supply connection to each piece of equipment.
- B. **Install calibrated-orifice**, balancing valves at each branch connection to return main.
- C. Install calibrated-orifice, balancing valves in the return pipe of each heating or cooling terminal.
- D. Install check valves at each pump discharge and elsewhere as required to control flow direction.
- E. Install safety valves at hot-water generators and elsewhere as required by ASME Boiler and Pressure Vessel Code. Install drip-pan elbow on safety-valve outlet and pipe without valves to the outdoors; pipe drain to nearest floor drain or as indicated on Drawings. Comply with ASME Boiler and Pressure Vessel Code: Section VIII, Division 1, for installation requirements.
- F. Install pressure-reducing valves at makeup-water connection to regulate system fill pressure.

3.2 HYDRONIC SPECIALTIES INSTALLATION

- A. Install manual air vents at high points in piping, at heat-transfer coils, and elsewhere as required for system air venting.
- B. Automatic air vents may cause damage to ceilings and other finished surfaces. Air vents aid in system filling. Air removal after initial startup is accomplished by air separator or boiler diptube. Manual air vents may be a better solution.
- C. Install automatic air vents at high points of system piping in mechanical equipment rooms only. Install manual vents at heat-transfer coils and elsewhere as required for air venting.

- D. Install piping from boiler air outlet, air separator, or air purger to expansion tank with a 2 percent upward slope toward tank.
- E. Install in-line air separators in pump suction. Install drain valve on air separators **NPS 2** and larger.
- F. Install tangential air separator in pump suction. Install blowdown piping with full-port ball valve; extend full size to nearest floor drain.
- G. Install expansion tanks above the air separator. Install tank fitting in tank bottom and charge tank. Use manual vent for initial fill to establish proper water level in tank.
 - 1. Install tank fittings that are shipped loose.
 - 2. Support tank from floor or structure above with sufficient strength to carry weight of tank, piping connections, fittings, plus tank full of water. Do not overload building components and structural members.
- H. Install expansion tanks on the floor. Vent and purge air from hydronic system, and ensure that tank is properly charged with air to suit system Project requirements.

END OF SECTION

THIS PAGE INTENTIONALLY LEFT BLANK

SECTION 23 21 23 - HYDRONIC PUMPS

PART 1 - GENERAL

1.1 RELATED DOCUMENTS

- A. Drawings and general provisions of the Contract, including General and Supplementary Conditions and Division 01 Specification Sections, apply to this Section.

1.2 SUMMARY

- A. Section Includes:
 - 1. Close-coupled, in-line centrifugal pumps.
 - 2. Separately coupled, horizontally mounted, in-line centrifugal pumps.

1.3 DEFINITIONS

- A. Buna-N: Nitrile rubber.
- B. EPT: Ethylene propylene terpolymer.

1.4 ACTION SUBMITTALS

- A. Product Data: For each type of pump. Include certified performance curves and rated capacities, shipping weights, installed weights, operating characteristics, furnished specialties, final impeller dimensions, and accessories for each type of product indicated. Indicate pump's operating point on curves.
- B. Shop Drawings: For each pump.
 - 1. Show pump layout and connections.
 - 2. Include setting drawings with templates for installing foundation and anchor bolts and other anchorages.
 - 3. Include diagrams for power, signal, and control wiring.
 - a. Detail all wiring systems and differentiate clearly between manufacturer-installed and field-installed wiring.

1.5 CLOSEOUT SUBMITTALS

- A. Operation and Maintenance Data: For pumps to include in emergency, operation, and maintenance manuals.

1.6 QUALITY ASSURANCE

- A. UL Compliance: Fabricate and label pumps to comply with UL 778, "Motor-Operated Water Pumps," for construction requirements.
- B. Product Options: Drawings indicate size, profiles, connections, and dimensional requirements of pumps and are based on the specific types and models indicated. Other manufacturers' pumps with equal performance characteristics may be considered. Refer to Division 1 Section "Substitutions."
- C. Regulatory Requirements: Fabricate and test steam condensate pumps to comply with HI 1.1-1.5, "Centrifugal Pumps for Nomenclature, Definitions, Application and Operation," and HI 1.6, "Centrifugal Pump Tests."
- D. Electrical Components, Devices, and Accessories: Listed and labeled as defined in NFPA 70, Article 100, by a testing agency acceptable to authorities having jurisdiction.

1.7 DELIVERY, STORAGE, AND HANDLING

- A. Manufacturer's Preparation for Shipping: Clean flanges and exposed machined metal surfaces and treat with anticorrosion compound after assembly and testing. Protect flanges, pipe openings, and nozzles with wooden flange covers or with screwed-in plugs.
- B. Store pumps in dry location.
- C. Retain protective covers for flanges and protective coatings during storage.
- D. Protect bearings and couplings against damage from sand, grit, and other foreign matter.
- E. Comply with pump manufacturer's written rigging instructions.

1.8 COORDINATION

- A. Coordinate size and location of concrete bases.

PART 2 - PRODUCTS

2.1 CLOSE-COUPLED, IN-LINE CENTRIFUGAL PUMPS

- A. Manufacturers: Subject to compliance with requirements, provide products by one of the following:
 - 1. Armstrong Pumps Inc.
 - 2. ITT Corporation; Bell & Gossett.
 - 3. PACO Pumps; Grundfos CBG.
 - 4. TACO Incorporated.

- B. Description: Factory-assembled and -tested, centrifugal, overhung-impeller, close-coupled, in-line pump as defined in HI 1.1-1.2 and HI 1.3; designed for installation with pump and motor shafts mounted horizontally or vertically. Rated for **175-psig** minimum working pressure and a continuous water temperature of **225 deg F**.
- C. Pump Construction:
1. Casing: Radially split, cast iron, with threaded gage tappings at inlet and outlet, and **threaded or threaded companion-flange or union-end connections or unions at connections for casings that are not available with threaded companion flanges.**
 2. Impeller: ASTM B 584, cast bronze; statically and dynamically balanced, keyed to shaft, and secured with a locking cap screw. For constant-speed pumps, trim impeller to match specified performance.
 3. **Pump Shaft: Steel**, with oil lubricated copper-alloy shaft sleeve.
 4. **Seal:** Mechanical seal consisting of carbon rotating ring against a ceramic seat held by a stainless-steel spring, and Buna-N bellows and gasket. Include water slinger on shaft between motor and seal.
 5. Pump Bearings:
 1. Oil lubricated, **bronze-journal.**
- D. Motor: Single speed and rigidly or resiliently mounted to pump casing.
1. Electrical Components, Devices, and Accessories: Listed and labeled as defined in NFPA 70, by a qualified testing agency, and marked for intended location and application.
 2. Comply with NEMA designation, temperature rating, service factor, and efficiency requirements for motors specified in Division 23 Section "Common Motor Requirements for HVAC Equipment."
 - a. **Enclosure: Open, dripproof.**
 - b. Enclosure Materials:
 - 1) **Cast iron.**
 - c. Motor Bearings:
 - 1) **Grease-lubricated ball bearings.**
 - d. Efficiency:
 - 1) **Premium efficient.**
 - e. Service Factor: 1.15

2.2 SEPARATELY COUPLED, HORIZONTALLY MOUNTED, IN-LINE CENTRIFUGAL PUMPS

- A. Manufacturers: Subject to compliance with requirements, provide products by one of the following:
1. Armstrong Pumps Inc.
 2. ITT Corporation; Bell & Gossett.
 3. PACO Pumps; Grundfos CBG.
 4. TACO Incorporated.

- B. Description: Factory-assembled and -tested, centrifugal, overhung-impeller, separately coupled, in-line pump as defined in HI 1.1-1.2 and HI 1.3; designed for installation with pump and motor shafts mounted horizontally. Rated for 175-psig minimum working pressure and a continuous water temperature of 225 deg F.
- C. Pump Construction:
1. Casing: Radially split, cast iron, **bronze fitted**, with threaded gage tappings at inlet and outlet, and **threaded or threaded companion-flange or union-end connections or unions at connections for casings that are not available with threaded companion flanges.**
 2. Impeller: ASTM B 584, cast bronze; statically and dynamically balanced, and keyed to shaft. For pumps that are not frequency-drive controlled, trim impeller to match specified performance.
 3. **Pump Shaft: Steel**, with copper-alloy shaft sleeve.
 4. **Seal:** Mechanical seal consisting of carbon rotating ring against a ceramic seat held by a stainless-steel spring, and **Buna-N** bellows and gasket. Include water slinger on shaft between motor and seal.
 5. Pump Bearings:
 - a. Oil lubricated, **bronze-journal.**
- D. Shaft Coupling: Molded-rubber insert with interlocking spider or interlocking frame with interconnecting springs capable of absorbing vibration.
- E. Motor: Single speed and **resiliently or rigidly** mounted to pump casing.
1. Electrical Components, Devices, and Accessories: Listed and labeled as defined in NFPA 70, by a qualified testing agency, and marked for intended location and application.
 2. Comply with NEMA designation, temperature rating, service factor, and efficiency requirements for motors specified in Division 23 Section "Common Motor Requirements for HVAC Equipment."
 - a. **Enclosure: Open, dripproof.**
 - b. **Enclosure Materials: Cast iron.**
 - c. **Motor Bearings: Grease-lubricated** ball bearings.
 - d. Efficiency:
 - 1) **Premium efficient.**
 - e. Service Factor: 1.15 .

2.3 SEPARATELY COUPLED, VERTICALLY MOUNTED, IN-LINE CENTRIFUGAL PUMPS

- A. Manufacturers: Subject to compliance with requirements, provide products by one of the following:
1. Armstrong Pumps Inc.
 2. ITT Corporation; Bell & Gossett.
 3. PACO Pumps; Grundfos CBG.

4. TACO Incorporated.
- B. Description: Factory-assembled and -tested, centrifugal, overhung-impeller, separately coupled, bronze fitted, in-line pump as defined in HI 1.1-1.2 and HI 1.3; designed for installation with pump and motor shafts mounted vertically. Rated for **175-psig** minimum working pressure and a continuous water temperature of **225 deg F**.
- C. Pump Construction:
1. Casing: Radially split, cast iron, bronze fitted, with threaded gage tappings at inlet and outlet **and threaded companion-flange or union-end connections**.
 2. Impeller: ASTM B 584, cast bronze; statically and dynamically balanced, keyed to shaft, and secured with a locking cap screw. ~~For pumps not frequency-drive controlled, Trim impeller to match specified performance.~~
 3. **Pump Shaft: Steel**, with copper-alloy shaft sleeve.
 4. **Seal:** Mechanical seal consisting of carbon rotating ring against a ceramic seat held by a stainless-steel spring, and **Buna-N** bellows and gasket. Include water slinger on shaft between motor and seal.
 5. Pump Bearings:
 - a. Oil lubricated, **bronze-journal**.
- D. Shaft Coupling: Axially split spacer coupling.
- E. Motor: Single speed and rigidly mounted to pump casing with lifting eyebolt and supporting lugs in motor enclosure.
1. Electrical Components, Devices, and Accessories: Listed and labeled as defined in NFPA 70, by a qualified testing agency, and marked for intended location and application.
 2. Comply with NEMA designation, temperature rating, service factor, and efficiency requirements for motors specified in Division 23 Section "Common Motor Requirements for HVAC Equipment."
 - a. **Enclosure: Open, dripproof.**
 - b. **Enclosure Materials: Cast iron.**
 - c. **Motor Bearings: Grease-lubricated ball bearings.**
 - d. Efficiency: Premium efficient.
 - e. Service Factor: 1.15

2.4 PUMP SPECIALTY FITTINGS

- A. Suction Diffuser:
1. Angle pattern.
 2. **175-psig** pressure rating, **cast-iron** body and end cap, pump-inlet fitting.
 3. Bronze startup and **bronze** or stainless-steel permanent strainers.

4. Bronze or stainless-steel straightening vanes.
5. Drain plug.
6. **Factory-fabricated** support.

PART 3 - EXECUTION

3.1 EXAMINATION

- A. Examine equipment foundations and anchor-bolt locations for compliance with requirements for installation tolerances and other conditions affecting performance of the Work.
- B. Examine roughing-in for piping systems to verify actual locations of piping connections before pump installation.
- C. Examine foundations and inertia bases for suitable conditions where pumps are to be installed.
- D. Proceed with installation only after unsatisfactory conditions have been corrected.

3.2 PUMP INSTALLATION

- A. Install pumps according to HI 1.1-1.5, "Centrifugal Pumps for Nomenclature, Definitions, Application and Operation."
- B. Comply with **HI 1.4**.
- C. Install pumps to provide access for periodic maintenance including removing motors, impellers, couplings, and accessories.
- D. Independently support pumps and piping so weight of piping is not supported by pumps and weight of pumps is not supported by piping.
- E. Automatic Condensate Pump Units: Install units for collecting condensate and extend to open drain.
- F. **Equipment Mounting:** Install in-line pumps with continuous-thread hanger rods and spring hangers **elastomeric hangers** of size required to support weight of in-line pumps.
 1. Comply with requirements for seismic-restraint devices specified in Section 230548 "Vibration and Seismic Controls for HVAC."
 2. Comply with requirements for hangers and supports specified in Section 230529 "Hangers and Supports for HVAC Piping and Equipment."

3.3 ALIGNMENT

- A. **Engage a factory-authorized service representative to perform** alignment service.

- B. Comply with requirements in Hydronics Institute standards for alignment of pump and motor shaft. Add shims to the motor feet and bolt motor to base frame. Do not use grout between motor feet and base frame.
- C. Comply with pump and coupling manufacturers' written instructions.
- D. After alignment is correct, tighten foundation bolts evenly but not too firmly. Completely fill baseplate with nonshrink, nonmetallic grout while metal blocks and shims or wedges are in place. After grout has cured, fully tighten foundation bolts.

3.4 CONNECTIONS

- A. Comply with requirements for piping specified in Division 23 Section "Steam and Condensate Heating Piping." Drawings indicate general arrangement of piping, fittings, and specialties.
- B. Where installing piping adjacent to pump, allow space for service and maintenance.
- C. Connect piping to pumps. Install valves that are same size as piping connected to pumps.
- D. **Install check, shutoff, and throttling** on discharge side of pumps.
- E. Install suction and discharge pipe sizes equal to or greater than diameter of pump nozzles.
- F. Install **suction diffuser** and shutoff valve on suction side of vertical-inline pumps.
- G. Install flexible connectors on suction and discharge sides of base-mounted pumps between pump casing and valves.
- H. Install pressure gages on pump suction and discharge or at integral pressure-gage tapping, or install single gage with multiple-input selector valve.
- I. Install thermometers at pump suction and discharge.
- J. Install check valve and gate or ball valve on each condensate pump unit discharge.
- K. Ground equipment according to Division 26 Section "Grounding and Bonding for Electrical Systems."
 - 1. Tighten electrical connectors and terminals according to manufacturer's published torque-tightening values. If manufacturer's torque values are not indicated, use those specified in UL 486A and UL 486B.
- L. Connect wiring according to Division 26 Section "Low-Voltage Electrical Power Conductors and Cables."
 - 1. Tighten electrical connectors and terminals according to manufacturer's published torque-tightening values. If manufacturer's torque values are not indicated, use those specified in UL 486A and UL 486B.

3.5 STARTUP SERVICE

A. Engage a factory-authorized service representative to perform startup service.

1. Complete installation and startup checks according to manufacturer's written instructions.
2. Check piping connections for tightness.
3. Clean strainers on suction piping.
4. Perform the following startup checks for each pump before starting:
 - a. Verify that electrical wiring installation complies with manufacturer's written instructions and the Contract Documents.
 - b. Verify bearing lubrication.
 - c. Verify that pump is free to rotate by hand and that pump for handling hot liquid is free to rotate with pump hot and cold. If pump is bound or drags, do not operate until cause of trouble is determined and corrected.
 - d. Verify that pump is rotating in the correct direction.
5. Prime pump by opening suction valves and closing drains, and prepare pump for operation.
6. Open cooling water-supply valves in cooling water supply to bearings, where applicable.
7. Open cooling water-supply valves if stuffing boxes are water cooled.
8. Open sealing liquid-supply valves if pumps are so fitted.
9. Open warm-up valves of pumps handling hot liquids if pumps are not normally kept at operating temperature.
10. Open circulating line valves if pumps should not be operated against dead shutoff.
11. Start motor.
12. Open discharge valve slowly.
13. Observe leakage from stuffing boxes and adjust sealing liquid valve for proper flow to ensure lubrication of packing. Let packing "run in" before reducing leakage through stuffing boxes; then tighten glands.
14. Check general mechanical operation of pumps and motors.
15. Close circulating line valves once there is sufficient flow through pumps to prevent overheating.

- B. When pumps are to be started against closed check valves with discharge shutoff valves open, steps are the same, except open discharge valves before starting motors.

3.6 DEMONSTRATION

A. Engage a factory-authorized service representative to train Owner's maintenance personnel to adjust, operate, and maintain hydronic pumps as specified below:

1. Train Owner's maintenance personnel on procedures and schedules for starting and stopping, troubleshooting, servicing, and maintaining pumps.
2. Review data in maintenance manuals. Refer to Division 1 Section "Contract Closeout."

3. Review data in maintenance manuals. Refer to Division 1 Section Contract Closeout.
4. Schedule training with Owner, through Architect, with at least seven days' advance notice.

END OF SECTION

THIS PAGE INTENTIONALLY LEFT BLANK

SECTION 23 22 13 - STEAM AND CONDENSATE HEATING PIPING

PART 1 - GENERAL

1.1 RELATED DOCUMENTS

- A. Drawings and general provisions of the Contract, including General and Supplementary Conditions and Division 01 Specification Sections, apply to this Section.

1.2 SUMMARY

- A. Section includes pipe and fittings for LP and HP steam and condensate piping:
- B. Related Requirements:
 - 1. Section 23 2216 "Steam and Condensate Piping Specialties" for strainers, flash tanks, special-duty valves, steam traps, thermostatic air vents and vacuum breakers, and steam and condensate meters.

1.3 ACTION SUBMITTALS

- A. Delegated-Design Submittal:
 - 1. Design calculations and detailed fabrication and assembly of pipe anchors and alignment guides, hangers and supports for multiple pipes, expansion joints and loops, and attachments of the same to the building structure.
 - 2. Locations of pipe anchors and alignment guides and expansion joints and loops.
 - 3. Locations of and details for penetrations, including sleeves and sleeve seals for exterior walls, floors, basement, and foundation walls.
 - 4. Locations of and details for penetration and firestopping for fire- and smoke-rated wall and floor and ceiling assemblies.

1.4 INFORMATIONAL SUBMITTALS

- A. Coordination Drawings: Piping layout, drawn to scale, on which the following items are shown and coordinated with each other, using input from installers of the items involved:
 - 1. Suspended ceiling components.
 - 2. Other building services.
 - 3. Structural members.
- B. Qualification Data: For Installer.
- C. Welding certificates.
- D. Field quality-control reports.

1.5 QUALITY ASSURANCE

- A. Steel Support Welding: Qualify procedures and personnel according to AWS D1.1/D1.1M, "Structural Welding Code - Steel."
- B. Pipe Welding: Qualify procedures and operators according to the following:
 - 1. ASME Compliance: Comply with ASME B31.1, "Power Piping," and ASME B31.9, "Building Services Piping," for materials, products, and installation.
 - 2. Certify that each welder has passed AWS qualification tests for welding processes involved and that certification is current.

PART 2 - PRODUCTS

2.1 PERFORMANCE REQUIREMENTS

- A. Components and installation shall be capable of withstanding the following minimum working pressures and temperatures unless otherwise indicated:
 - 1. HP Steam Piping: 300 psig.
 - 2. LP Steam Piping: 150 psig.
 - 3. Condensate Piping: 150 psig at 250 deg F.
 - 4. Makeup-Water Piping: 80 psig at 150 deg F.
 - 5. Blowdown-Drain Piping: Equal to pressure of the piping system to which it is attached.
 - 6. Air-Vent and Vacuum-Breaker Piping: Equal to pressure of the piping system to which it is attached.
 - 7. Safety-Valve-Inlet and -Outlet Piping: Equal to pressure of the piping system to which it is attached.

2.2 STEEL PIPE AND FITTINGS

- A. Steel Pipe: ASTM A 53/A 53M, black steel, plain ends, welded and seamless, Grade B, and Schedule as indicated in piping applications articles.
- B. Cast-Iron Threaded Fittings: ASME B16.4; Classes 125, 150, and 300 as indicated in piping applications articles.
- C. Malleable-Iron Threaded Fittings: ASME B16.3; Classes 150 and 300 as indicated in piping applications articles.
- D. Malleable-Iron Unions: ASME B16.39; Classes 150, 250, and 300 as indicated in piping applications articles.
- E. Cast-Iron Threaded Flanges and Flanged Fittings: ASME B16.1, Classes 125 and 250 as indicated in piping applications articles; raised ground face, and bolt holes spot faced.
- F. Wrought-Steel Fittings: ASTM A 234/A 234M, wall thickness to match adjoining pipe.

- G. Wrought-Steel Flanges and Flanged Fittings: ASME B16.5, including bolts, nuts, and gaskets of the following material group, end connections, and facings:
 - 1. Material Group: 1.1.
 - 2. End Connections: Butt welding.
 - 3. Facings: Raised face.
- H. Steel Pipe Nipples: ASTM A 733, made of ASTM A 53/A 53M, black steel of same Type, Grade, and Schedule as pipe in which installed.

2.3 JOINING MATERIALS

- A. Pipe-Flange Gasket Materials: Suitable for chemical and thermal conditions of piping system contents.
 - 1. ASME B16.21, nonmetallic, flat, asbestos free, 1/8-inch maximum thickness unless otherwise indicated.
 - a. Full-Face Type: For flat-face, Class 125, cast-iron and cast-bronze flanges.
 - b. Narrow-Face Type: For raised-face, Class 250, cast-iron and steel flanges.
- B. Flange Bolts and Nuts: ASME B18.2.1, carbon steel, unless otherwise indicated.
- C. Welding Filler Metals: Comply with AWS D10.12M/D10.12 for welding materials appropriate for wall thickness and chemical analysis of steel pipe being welded.
- D. Welding Materials: Comply with Section II, Part C, of ASME Boiler and Pressure Vessel Code for welding materials appropriate for wall thickness and for chemical analysis of pipe being welded.

PART 3 - EXECUTION

3.1 LP STEAM PIPING APPLICATIONS

- A. LP Steam Piping, NPS 2 and Smaller: Schedule 40, Type S, Grade B, steel pipe; Class 150 malleable-iron fittings; and threaded joints.
- B. LP Steam Piping, NPS 2-1/2 through NPS 12: Schedule 40, Type E, Grade B, steel pipe; Class 150 wrought-steel fittings, flanges, and flange fittings; and welded and flanged joints.
- C. LP Steam Piping, NPS 14 through NPS 18: Schedule 30, Type E, Grade B, steel pipe; Class 150 wrought-steel fittings, flanges, and flange fittings; and welded and flanged joints.
- D. LP Steam Piping, NPS 20: Schedule 20, Type E, Grade B, steel pipe; Class 150 wrought-steel fittings, flanges, and flange fittings; and welded and flanged joints.
- E. Condensate piping above grade, NPS 2 and smaller, shall be the following:

1. Schedule 80, Type S, Grade B, steel pipe; Class 150 malleable-iron fittings; and threaded joints.
- F. Condensate piping above grade, NPS 2-1/2 and larger, shall be the following:
1. Schedule 80, Type E, Grade B, steel pipe; Class 300 wrought-steel fittings, flanges, and flange fittings; and welded and flanged joints.
- G. Condensate piping below grade, NPS 2 and smaller, shall be the following:
1. Schedule 80, Type S, Grade B, steel pipe; Class 150 malleable-iron fittings; and threaded joints.
- H. Condensate piping below grade, NPS 2-1/2 and larger, shall be the following:
1. Schedule 80, Type E, Grade B, steel pipe; Class 300 wrought-steel fittings, flanges, and flange fittings; and welded and flanged joints.
- 3.2 HP STEAM PIPING APPLICATIONS
- A. HP Steam Piping, NPS 2: Schedule 40, Type S, Grade B, steel pipe; Class 300 malleable-iron fittings; and threaded joints.
- B. HP Steam Piping, NPS 2-1/2 through NPS 12: Schedule 40, Type E, Grade B, steel pipe; Class 150 wrought-steel fittings, flanges, and flange fittings; and welded and flanged joints.
- C. HP Steam Piping, NPS 14 through NPS 18: Schedule 30, Type E, Grade B, steel pipe; Class 150 wrought-steel fittings, flanges, and flange fittings; and welded and flanged joints.
- D. HP Steam Piping, NPS 20: Schedule 20, Type E, Grade B, steel pipe; Class 150 wrought-steel fittings, flanges, and flange fittings; and welded and flanged joints.
- E. Condensate piping above grade, NPS 2 and smaller, shall be the following:
1. Schedule 80, Type S, Grade B, steel pipe; Class 300 malleable-iron fittings; and threaded joints.
 2. RTRP and RTRF with adhesive or flanged joints.
- F. Condensate piping above grade, NPS 2-1/2 and larger, shall be the following:
1. Schedule 80, Type E, Grade B, steel pipe; Class 300 wrought-steel fittings, flanges, and flange fittings; and welded and flanged joints.
- G. Condensate piping below grade, NPS 2 and smaller, shall be the following:
1. Schedule 80, Type S, Grade B, steel pipe; Class 300 malleable-iron fittings; and threaded joints.
- H. Condensate piping below grade, NPS 2-1/2 and larger, shall be the following:

1. Schedule 80, Type E, Grade B, steel pipe; Class 300 wrought-steel fittings, flanges, and flange fittings; and welded and flanged joints.

3.3 ANCILLARY PIPING APPLICATIONS

- A. Blowdown-Drain Piping: Same materials and joining methods as for piping specified for the service in which blowdown drain is installed.
- B. Vacuum-Breaker Piping: Outlet, same as service where installed.
- C. Safety-Valve-Inlet and -Outlet Piping: Same materials and joining methods as for piping specified for the service in which safety valve is installed.

3.4 PIPING INSTALLATION

- A. Drawing plans, schematics, and diagrams indicate general location and arrangement of piping systems. Install piping as indicated unless deviations to layout are approved on Coordination Drawings.
- B. Install piping in concealed locations unless otherwise indicated and except in equipment rooms and service areas.
- C. Install piping indicated to be exposed and piping in equipment rooms and service areas at right angles or parallel to building walls. Diagonal runs are prohibited unless otherwise indicated.
- D. Install piping above accessible ceilings to allow sufficient space for ceiling panel removal.
- E. Install piping to permit valve servicing.
- F. Install piping free of sags and bends.
- G. Install fittings for changes in direction and branch connections.
- H. Install piping to allow application of insulation.
- I. Select system components with pressure rating equal to or greater than system operating pressure.
- J. Install groups of pipes parallel to each other, spaced to permit applying insulation and servicing of valves.
- K. Install drains, consisting of a tee fitting, NPS 3/4 full port-ball valve, and short NPS 3/4 threaded nipple with cap, at low points in piping system mains and elsewhere as required for system drainage.
- L. Install steam supply piping at a minimum uniform grade of 0.2 percent downward in direction of steam flow.

- M. Install condensate return piping at a minimum uniform grade of 0.4 percent downward in direction of condensate flow.
- N. Reduce pipe sizes using eccentric reducer fitting installed with level side down.
- O. Install branch connections to mains using tee fittings in main pipe, with the branch connected to top of main pipe.
- P. Install valves according to Section 230523 "General-Duty Valves for HVAC Piping."
- Q. Install unions in piping, NPS 2 and smaller, adjacent to valves, at final connections of equipment, and elsewhere as indicated.
- R. Install flanges in piping, NPS 2-1/2 and larger, at final connections of equipment and elsewhere as indicated.
- S. Install shutoff valve immediately upstream of each dielectric fitting.
- T. Install strainers on supply side of control valves, pressure-reducing valves, traps, and elsewhere as indicated. Install NPS 3/4 nipple and full port ball valve in blowdown connection of strainers NPS 2 and larger. Match size of strainer blowoff connection for strainers smaller than NPS 2.
- U. Comply with requirements in Section 230516 "Expansion Fittings and Loops for HVAC Piping" for installation of expansion loops, expansion joints, anchors, and pipe alignment guides.
- V. Comply with requirements in Section 230553 "Identification for HVAC Piping and Equipment" for identifying piping.
- W. Install drip legs at low points and natural drainage points such as ends of mains, bottoms of risers, and ahead of pressure regulators, and control valves.
 - 1. On straight runs with no natural drainage points, install drip legs at intervals not exceeding 300 feet.
 - 2. Size drip legs same size as main. In steam mains NPS 6 and larger, drip leg size can be reduced, but to no less than NPS 4.
- X. Install sleeves for piping penetrations of walls, ceilings, and floors. Comply with requirements for sleeves specified in Section 230517 "Sleeves and Sleeve Seals for HVAC Piping."
- Y. Install sleeve seals for piping penetrations of concrete walls and slabs. Comply with requirements for sleeve seals specified in Section 230517 "Sleeves and Sleeve Seals for HVAC Piping."
- Z. Install escutcheons for piping penetrations of walls, ceilings, and floors. Comply with requirements for escutcheons specified in Section 230518 "Escutcheons for HVAC Piping."

3.5 STEAM AND CONDENSATE PIPING SPECIALTIES INSTALLATION

- A. Comply with requirements in Section 232216 "Steam and Condensate Piping Specialties" for installation requirements for strainers, flash tanks, special-duty valves, steam traps, thermostatic air vents and vacuum breakers, and steam and condensate meters.

3.6 HANGERS AND SUPPORTS

- A. Comply with requirements in Section 230529 "Hangers and Supports for HVAC Piping and Equipment" for installation of hangers and supports. Comply with requirements below for maximum spacing.
- B. Comply with requirements in Section 230548 "Vibration and Seismic Controls for HVAC" for seismic restraints.
- C. Install the following pipe attachments:
 - 1. Adjustable steel clevis hangers for individual horizontal piping less than 20 feet long.
 - 2. Adjustable roller hangers and spring hangers for individual horizontal piping 20 feet or longer.
 - 3. Pipe Roller: MSS SP-58, Type 44 for multiple horizontal piping 20 feet or longer, supported on a trapeze.
 - 4. Spring hangers to support vertical runs.
- D. Install hangers for steel steam supply piping with the following maximum spacing:
 - 1. NPS 3/4: Maximum span, 9 feet.
 - 2. NPS 1: Maximum span, 9 feet.
 - 3. NPS 1-1/2: Maximum span, 12 feet.
 - 4. NPS 2: Maximum span, 13 feet.
 - 5. NPS 2-1/2: Maximum span, 14 feet.
 - 6. NPS 3 and Larger: Maximum span, 15 feet.
- E. Install hangers for steel steam condensate piping with the following maximum spacing:
 - 1. NPS 3/4: Maximum span, 7 feet.
 - 2. NPS 1: Maximum span, 7 feet.
 - 3. NPS 1-1/2: Maximum span, 9 feet.
 - 4. NPS 2: Maximum span, 10 feet.
 - 5. NPS 2-1/2: Maximum span, 11 feet.
 - 6. NPS 3 and Larger: Maximum span, 12 feet.
- F. Support vertical runs at roof, at each floor, and at 10-foot intervals between floors.

3.7 PIPE JOINT CONSTRUCTION

- A. Ream ends of pipes and remove burrs. Bevel plain ends of steel pipe.

- B. Remove scale, slag, dirt, and debris from inside and outside of pipe and fittings before assembly.
- C. Threaded Joints: Thread pipe with tapered pipe threads according to ASME B1.20.1. Cut threads full and clean using sharp dies. Ream threaded pipe ends to remove burrs and restore full ID. Join pipe fittings and valves as follows:
 - 1. Apply appropriate tape or thread compound to external pipe threads unless dry seal threading is specified.
 - 2. Damaged Threads: Do not use pipe or pipe fittings with threads that are corroded or damaged. Do not use pipe sections that have cracked or open welds.
- D. Welded Joints: Construct joints according to AWS D10.12M/D10.12, using qualified processes and welding operators according to "Quality Assurance" Article.
- E. Flanged Joints: Select appropriate gasket material, size, type, and thickness for service application. Install gasket concentrically positioned. Use suitable lubricants on bolt threads.

3.8 TERMINAL EQUIPMENT CONNECTIONS

- A. Size for supply and return piping connections shall be the same as or larger than equipment connections.
- B. Install traps and control valves in accessible locations close to connected equipment.
- C. Install bypass piping with globe valve around control valve. If parallel control valves are installed, only one bypass is required.
- D. Install vacuum breakers downstream from control valve, close to coil inlet connection.
- E. Install a drip leg at coil outlet.

3.9 FIELD QUALITY CONTROL

- A. Prepare steam and condensate piping according to ASME B31.1, "Power Piping," and ASME B31.9, "Building Services Piping," and as follows:
 - 1. Leave joints, including welds, uninsulated and exposed for examination during test.
 - 2. Provide temporary restraints for expansion joints that cannot sustain reactions due to test pressure. If temporary restraints are impractical, isolate expansion joints from testing.
 - 3. Flush system with clean water. Clean strainers.
 - 4. Isolate equipment from piping. If a valve is used to isolate equipment, its closure shall be capable of sealing against test pressure without damage to valve. Install blinds in flanged joints to isolate equipment.
- B. Testing Agency: Engage a qualified testing agency to perform tests and inspections.

- C. Manufacturer's Field Service: Engage a factory-authorized service representative to test and inspect components, assemblies, and equipment installations, including connections.
- D. Perform the following tests and inspections with the assistance of a factory-authorized service representative:
 - 1. Use ambient temperature water as a testing medium unless there is risk of damage due to freezing. Another liquid that is safe for workers and compatible with piping may be used.
 - 2. Subject piping system to hydrostatic test pressure that is not less than 1.5 times the working pressure. Test pressure shall not exceed maximum pressure for any vessel, pump, valve, or other component in system under test. Verify that stress due to pressure at bottom of vertical runs does not exceed 90 percent of specified minimum yield strength.
 - 3. After hydrostatic test pressure has been applied for at least 10 minutes, examine piping, joints, and connections for leakage. Eliminate leaks by tightening, repairing, or replacing components, and repeat hydrostatic test until there are no leaks.
- E. Prepare test and inspection reports.

END OF SECTION

THIS PAGE INTENTIONALLY LEFT BLANK

SECTION 23 22 16 - STEAM AND CONDENSATE PIPING SPECIALTIES

PART 1 - GENERAL

1.1 RELATED DOCUMENTS

- A. Drawings and general provisions of the Contract, including General and Supplementary Conditions and Division 01 Specification Sections, apply to this Section.

1.2 SUMMARY

- A. Section includes the following piping specialties for LP and HP steam and condensate piping:
 - 1. Strainers.
 - 2. Flash tanks.
 - 3. Safety valves.
 - 4. Pressure-reducing valves.
 - 5. Steam traps.
 - 6. Thermostatic air vents and vacuum breakers.
 - 7. Steam and condensate meters.
 - 8. Steam filter
 - 9. Steam separator

1.3 ACTION SUBMITTALS

- A. Product Data: For each type of the following:
 - 1. Pressure-reducing and safety valve.
 - 2. Steam trap.
 - 3. Air vent and vacuum breaker.
 - 4. Flash tank.
 - 5. Meter.

1.4 CLOSEOUT SUBMITTALS

- A. Operation and Maintenance Data: For valves, safety valves, pressure-reducing valves, steam traps, air vents, vacuum breakers, and meters to include in emergency, operation, and maintenance manuals.

1.5 QUALITY ASSURANCE

- A. Pipe Welding: Qualify procedures and operators according to the following:

1. ASME Compliance: Safety valves and pressure vessels shall bear the appropriate ASME label. Fabricate and stamp flash tanks to comply with ASME Boiler and Pressure Vessel Code: Section VIII, Division 1.

PART 2 - PRODUCTS

2.1 PERFORMANCE REQUIREMENTS

- A. Components and installation shall be capable of withstanding the following minimum working pressures and temperatures unless otherwise indicated:
 1. HP Steam Piping: 300 psig.
 2. LP Steam Piping: 150 psig.
 3. Condensate Piping: 150 psig at 250 deg F.
 4. Makeup-Water Piping: 80 psig at 150 deg F.
 5. Blowdown-Drain Piping: Equal to pressure of the piping system to which it is attached.
 6. Air-Vent and Vacuum-Breaker Piping: Equal to pressure of the piping system to which it is attached.
 7. Safety-Valve-Inlet and -Outlet Piping: Equal to pressure of the piping system to which it is attached.

2.2 VALVES

- A. Globe, Check, Ball, and Butterfly Valves: Comply with requirements specified in Section 230523 "General-Duty Valves for HVAC Piping."
- B. Stop-Check Valves:
 1. Manufacturers: Subject to compliance with requirements, provide products by one of the following:
 - a. A.Y. McDonald Mfg. Co.
 - b. Cincinnati Valve Company.
 - c. Crane Co.
 - d. Jenkins Valves.
 2. Body and Bonnet: Malleable iron.
 3. End Connections: Flanged.
 4. Disc: Cylindrical with removable liner and machined seat.
 5. Stem: Brass alloy.
 6. Operator: Outside screw and yoke with cast-iron handwheel.
 7. Packing: Polytetrafluoroethylene-impregnated packing with two-piece packing gland assembly.
 8. Pressure Class: 250.

2.3 STRAINERS

A. Y-Pattern Strainers:

1. Body: ASTM A 126, Class B cast iron, with bolted cover and bottom drain connection.
2. End Connections: Threaded ends for strainers NPS 2 and smaller; flanged ends for strainers NPS 2-1/2 and larger.
3. Strainer Screen: Stainless-steel, 60-mesh strainer, or perforated stainless-steel basket.
4. Tapped blowoff plug.
5. CWP Rating: 250-psig working steam pressure.

B. Basket Strainers:

1. Body: ASTM A 126, Class B cast iron, with bolted cover and bottom drain connection.
2. End Connections: Threaded ends for strainers NPS 2 and smaller; flanged ends for strainers NPS 2-1/2 and larger.
3. Strainer Screen: Stainless-steel, 20 mesh strainer, and perforated stainless-steel basket with 50 percent free area.
4. CWP Rating: 250-psig working steam pressure.

2.4 FLASH TANKS

- ### A.
- Shop or factory fabricated of welded steel according to ASME Boiler and Pressure Vessel Code, for 150-psig rating; and bearing ASME label. Fabricate with tappings for low-pressure steam and condensate outlets, high-pressure condensate inlet, air vent, safety valve, and legs.

2.5 SAFETY VALVES

A. Bronze Safety Valves: ASME labeled.

1. Basis-of-Design Product: Subject to compliance with requirements, provide Spirax Sarco or comparable product by one of the following:
 - a. Armstrong International, Inc.
 - b. Kunkle Valve.
 - c. Spirax Sarco, Inc.
 - d. Watts Regulator Co.
2. Disc Material: Forged copper alloy.
3. End Connections: Threaded inlet and outlet.
4. Spring: Fully enclosed steel spring with adjustable pressure range and positive shutoff, factory set and sealed.
5. Pressure Class: 250.
6. Drip-Pan Elbow: Cast iron and having threaded inlet and outlet with threads complying with ASME B1.20.1.

7. Size and Capacity: As required for equipment according to ASME Boiler and Pressure Vessel Code.

B. Cast-Iron Safety Valves: ASME labeled.

1. Basis-of-Design Product: Subject to compliance with requirements, provide Spirax Sarco or comparable product by one of the following:
 - a. Armstrong International, Inc.
 - b. Kunkle Valve.
 - c. Spirax Sarco, Inc.
 - d. Watts Regulator Co.
2. Disc Material: Forged copper alloy with bronze nozzle.
3. End Connections: Raised-face flanged inlet and threaded or flanged outlet connections.
4. Spring: Fully enclosed cadmium-plated steel spring with adjustable pressure range and positive shutoff, factory set and sealed.
5. Pressure Class: 250.
6. Drip-Pan Elbow: Cast iron and having threaded inlet, outlet, and drain, with threads complying with ASME B1.20.1.
7. Exhaust Head: Cast iron and having threaded inlet and drain, with threads complying with ASME B1.20.1.
8. Size and Capacity: As required for equipment according to ASME Boiler and Pressure Vessel Code.

2.6 PRESSURE-REDUCING VALVES

- A. Basis-of-Design Product: Subject to compliance with requirements, provide Spirax Sarco or comparable product by one of the following:
1. Armstrong International, Inc.
 2. Hoffman Specialty.
 3. Leslie Controls, Inc.
 4. Spence Engineering Company, Inc.
 5. Spirax Sarco, Inc.
- B. ASME labeled.
- C. Size, Capacity, and Pressure Rating: Factory set for inlet and outlet pressures indicated.
- D. Description: Pilot-actuated, diaphragm type, with adjustable pressure range and positive shutoff.
- E. Body: Cast iron.
- F. End Connections: Threaded connections for valves NPS 2 and smaller and flanged connections for valves NPS 2-1/2 and larger.
- G. Trim: Hardened stainless steel.

- H. Head and Seat: Replaceable, main head stem guide fitted with flushing and pressure-arresting device cover over pilot diaphragm.
- I. Gaskets: Non-asbestos materials.
- J. Capacities and Characteristics: See schedule on the drawings

2.7 STEAM TRAPS

A. Thermostatic Traps:

- 1. Basis-of-Design Product: Subject to compliance with requirements, provide Spirax Sarco or comparable product by one of the following:
 - a. Armstrong International, Inc.
 - b. Barnes & Jones, Inc.
 - c. Dunham-Bush, Inc.
 - d. Hoffman Specialty.
 - e. Spirax Sarco, Inc.
 - f. Sterling.
- 2. Body: Bronze angle-pattern body with integral union tailpiece and screw-in cap.
- 3. Trap Type: Balanced-pressure.
- 4. Bellows: Stainless steel or monel.
- 5. Head and Seat: Replaceable, hardened stainless steel.
- 6. Pressure Class: 125.

B. Thermodynamic Traps:

- 1. Basis-of-Design Product: Subject to compliance with requirements, provide Spirax Sarco or comparable product by one of the following:
 - a. Armstrong International, Inc.
 - b. Barnes & Jones, Inc.
 - c. Dunham-Bush, Inc.
 - d. Hoffman Specialty.
 - e. Spirax Sarco, Inc.
- 2. Body: Stainless steel with screw-in cap.
- 3. End Connections: Threaded.
- 4. Disc and Seat: Stainless steel.
- 5. Maximum Operating Pressure: 600 psig.

C. Float and Thermostatic Traps:

- 1. Basis-of-Design Product: Subject to compliance with requirements, provide Spirax Sarco or comparable product by one of the following:
 - a. Armstrong International, Inc.
 - b. Barnes & Jones, Inc.
 - c. Dunham-Bush, Inc.

- d. Hoffman Specialty.
 - e. Spirax Sarco, Inc.
 - f. Sterling.
2. Body and Bolted Cap: ASTM A 126, cast iron.
 3. End Connections: Threaded.
 4. Float Mechanism: Replaceable, stainless steel.
 5. Head and Seat: Hardened stainless steel.
 6. Trap Type: Balanced pressure.
 7. Thermostatic Bellows: Stainless steel or monel.
 8. Thermostatic air vent capable of withstanding 45 deg F of superheat and resisting water hammer without sustaining damage.
 9. Vacuum Breaker: Thermostatic with phosphor bronze bellows, and stainless-steel cage, valve, and seat.
 10. Maximum Operating Pressure: 125 psig.
- D. Inverted Bucket Traps:
1. Basis-of-Design Product: Subject to compliance with requirements, provide Spirax Sarco or comparable product by one of the following:
 - a. Armstrong International, Inc.
 - b. Barnes & Jones, Inc.
 - c. Dunham-Bush, Inc.
 - d. Hoffman Specialty.
 - e. Spirax Sarco, Inc.
 - f. Sterling.
 2. Body and Cap: Cast iron.
 3. End Connections: Threaded.
 4. Head and Seat: Stainless steel.
 5. Valve Retainer, Lever, and Guide Pin Assembly: Stainless steel.
 6. Bucket: Brass or stainless steel.
 7. Strainer: Integral stainless-steel inlet strainer within the trap body.
 8. Air Vent: Stainless-steel thermostatic vent.
 9. Pressure Rating: 250 psig.

2.8 THERMOSTATIC AIR VENTS AND VACUUM BREAKERS

- A. Thermostatic Air Vents:
1. Basis-of-Design Product: Subject to compliance with requirements, provide Spirax Sarco or comparable product by one of the following:
 - a. Armstrong International, Inc.
 - b. Barnes & Jones, Inc.
 - c. Dunham-Bush, Inc.
 - d. Hoffman Specialty.
 - e. Spirax Sarco, Inc.
 - f. Sterling.

2. Body: Cast iron, bronze, or stainless steel.
3. End Connections: Threaded.
4. Float, Valve, and Seat: Stainless steel.
5. Thermostatic Element: Phosphor bronze bellows in a stainless-steel cage.
6. Pressure Rating: 300 psig.
7. Maximum Temperature Rating: 350 deg F.

B. Vacuum Breakers:

1. Basis-of-Design Product: Subject to compliance with requirements, provide Spirax Sarco or comparable product by one of the following:
 - a. Armstrong International, Inc.
 - b. Dunham-Bush, Inc.
 - c. Hoffman Specialty.
 - d. Johnson Corporation (The).
 - e. Spirax Sarco, Inc.
2. Body: Cast iron, bronze, or stainless steel.
3. End Connections: Threaded.
4. Sealing Ball, Retainer, Spring, and Screen: Stainless steel.
5. O-Ring Seal: EPR.
6. Pressure Rating: 300 psig.
7. Maximum Temperature Rating: 350 deg F.

2.9 FLEXIBLE CONNECTORS

A. Stainless-Steel Bellows, Flexible Connectors:

1. Manufacturers: Subject to compliance with requirements, provide products by one of the following:
 - a. Duraflex, Inc.
 - b. Flexicraft Industries.
 - c. Hyspan Precision Products, Inc.
 - d. Mason Industries, Inc.
 - e. Metraflex Company (The).
 - f. Twin City Hose, Inc.
2. Body: Stainless-steel bellows with woven, flexible, bronze, wire-reinforced, protective jacket.
3. End Connections: Threaded or flanged to match equipment connected.
4. Performance: Capable of 3/4-inch misalignment.
5. CWP Rating: 150 psig.
6. Maximum Operating Temperature: 250 deg F.

2.10 STEAM METERS

- A. Basis-of-Design Product: Subject to compliance with requirements, provide Spirax Sarco or comparable product by one of the following:
1. EMCO Flow Systems.
 2. ISTEC Corp.
 3. Preso Meters.
 4. Spirax Sarco, Inc.
- B. Meters shall have a microprocessor to display totalizer flow, flow rate, temperature, pressure, time, and date; alarms for high and low flow rate and temperature.
1. Computer shall have 4- to 20-mA or 2- to 10-V output for temperature, pressure, and contact closure for flow increments.
 2. Independent timers to store four peak flow rates and total flow.
 3. Interface compatible with central workstation described in Section 230900 "Instrumentation and Control for HVAC."
 4. Microprocessor Enclosure: NEMA 250, Type 4.
- C. Sensor: Venturi, of [stainless-steel] [carbon-steel] construction, for insertion in pipeline between flanges. At least 10:1 turndown with plus or minus 1 percent accuracy over full-flow range.
- D. Sensor: Vortex type with stainless-steel wetted parts and flange connections; and with a piezoelectric sensor removable and serviceable without shutting down the process. At least 10:1 turndown with plus or minus 1 percent accuracy over full-flow range.
- E. Sensor: Spring-loaded, variable-area flowmeter type; density compensated with stainless-steel wetted parts and flange connections. At least 10:1 turndown with plus or minus 2 percent accuracy over full-flow range.

2.11 CONDENSATE METERS

- A. Manufacturers: Subject to compliance with requirements, provide products by one of the following:
1. Central Station Steam Co.
 2. Lincoln Meter Company.
- B. Body: Cast iron, bronze, or brass.
- C. Turbine: Copper, brass, or stainless steel.
- D. Connections: Threaded for NPS 2 and smaller and flanged for NPS 2-1/2.
- E. Totalizer: Meters shall have a microprocessor to display flow, flow rate, time, and date; alarms for high and low flow rate, pressure, and temperature.
1. Computer shall have 4- to 20-mA or 2- to 10-V output for temperature, pressure, and contact closure for flow increments.

2. Independent timers to store four peak flow rates and total flow.
3. Interface compatible with central workstation specified in Section 230900 "Instrumentation and Control for HVAC."
4. Microprocessor Enclosure: NEMA 250, Type 4.

F. Pressure Rating: Atmospheric.

G. Maximum Temperature Rating: 250 deg F.

2.12 STEAM FILTER

A. Steam Filter:

1. Basis-of-Design Product: Subject to compliance with requirements, provide Spirax Sarco or comparable product by one of the following:
 - a. Armstrong International, Inc.
 - b. Hoffman Specialty.
 - c. Spirax Sarco, Inc.
 - d. Sterling.
2. Body: 316 stainless steel.
3. End Connections: Threaded.
4. Body and element seals to be FDA approved material.
5. Filter Element: Double EDPM O-Ring seal, 316L stainless steel cleanable sintered element, capable of removing 95% of all particles 2 microns and larger.
6. Pressure Rating: 150 psig maximum.
7. Maximum Temperature Rating: 366 deg F maximum.

2.13 STEAM SEPARATOR

A. Steam Separator:

1. Basis-of-Design Product: Subject to compliance with requirements, provide Spirax Sarco or comparable product by one of the following:
 - a. Armstrong International, Inc.
 - b. Hoffman Specialty.
 - c. Spirax Sarco, Inc.
 - d. Sterling.
2. Body: AISI 316L stainless steel.
3. End Connections: ANSI 300 Flanged
4. Moisture separator: High efficiency internal baffle type.
5. Screwed bottom drain.
6. Pressure Rating: 435 psig.
7. Maximum Temperature Rating: 455 deg F.

PART 3 - EXECUTION

3.1 VALVE APPLICATIONS

- A. Install shutoff duty valves at branch connections to steam supply mains, at steam supply connections to equipment, and at the outlet of steam traps.
- B. Install safety valves on pressure-reducing stations and elsewhere as required by ASME Boiler and Pressure Vessel Code. Install safety-valve discharge piping, without valves, to nearest floor drain or as indicated on Drawings. Comply with ASME Boiler and Pressure Vessel Code: Section VIII, Division 1, for installation requirements.

3.2 PIPING INSTALLATION

- A. Install piping to permit valve servicing.
- B. Install drains, consisting of a tee fitting, NPS 3/4 full port-ball valve, and short NPS 3/4 threaded nipple with cap, at low points in piping system mains and elsewhere as required for system drainage.
- C. Install valves according to Section 230523 "General-Duty Valves for HVAC Piping."
- D. Install unions in piping, NPS 2 and smaller, adjacent to valves, at final connections of equipment, and elsewhere as indicated.
- E. Install flanges in piping, NPS 2-1/2 and larger, at final connections of equipment and elsewhere as indicated.
- F. Install shutoff valve immediately upstream of each dielectric fitting.
- G. Install strainers on supply side of control valves, pressure-reducing valves, traps, and elsewhere as indicated. Install NPS 3/4 nipple and full port ball valve in blowdown connection of strainers NPS 2 and larger. Match size of strainer blowoff connection for strainers smaller than NPS 2.
- H. Flash Tank:
 - 1. Pitch condensate piping down toward flash tank.
 - 2. If more than one condensate pipe discharges into flash tank, install a check valve in each line.
 - 3. Install thermostatic air vent at tank top.
 - 4. Install safety valve at tank top.
 - 5. Install full-port ball valve, and swing check valve on condensate outlet.
 - 6. Install inverted bucket or float and thermostatic trap at low-pressure condensate outlet, sized for three times the calculated heat load.
 - 7. Install pressure gage on low-pressure steam outlet according to Section 230519 "Meters and Gages for HVAC Piping."

3.3 STEAM-TRAP INSTALLATION

- A. Install steam traps in accessible locations as close as possible to connected equipment.
- B. Install full-port ball valve, strainer, and union upstream from trap; install union, check valve, and full-port ball valve downstream from trap unless otherwise indicated.

3.4 PRESSURE-REDUCING VALVE INSTALLATION

- A. Install pressure-reducing valves in accessible location for maintenance and inspection.
- B. Install bypass piping around pressure-reducing valves, with globe valve equal in size to area of pressure-reducing valve seat ring, unless otherwise indicated.
- C. Install ball valves on both sides of pressure-reducing valves.
- D. Install unions or flanges on both sides of pressure-reducing valves having threaded- or flanged-end connections, respectively.
- E. Install pressure gages on low-pressure side of pressure-reducing valves after the bypass connection according to Section 230519 "Meters and Gages for HVAC Piping."
- F. Install strainers upstream for pressure-reducing valve.
- G. Install safety valve downstream from pressure-reducing valve station.

3.5 STEAM OR CONDENSATE METER INSTALLATION

- A. Install meters with lengths of straight pipe upstream and downstream according to steam meter manufacturer's written instructions.
- B. Provide data acquisition wiring. See Section 230900 "Instrumentation and Control for HVAC."

3.6 SAFETY VALVE INSTALLATION

- A. Install safety valves according to ASME B31.1, "Power Piping"; and ASME B31.9, "Building Services Piping."
- B. Pipe safety-valve discharge without valves to atmosphere outside the building.
- C. Install drip-pan elbow fitting adjacent to safety valve and pipe drain connection to nearest floor drain.
- D. Install exhaust head with drain to waste, on vents equal to or larger than NPS 2-1/2.

3.7 TERMINAL EQUIPMENT CONNECTIONS

- A. Install traps and control valves in accessible locations close to connected equipment.
- B. Install bypass piping with globe valve around control valve. If parallel control valves are installed, only one bypass is required.
- C. Install vacuum breakers downstream from control valve, close to coil inlet connection.

END OF SECTION

SECTION 23 25 13 - WATER TREATMENT FOR CLOSED-LOOP HYDRONIC SYSTEMS

PART 1 - GENERAL

1.1 RELATED DOCUMENTS

- A. Drawings and general provisions of the Contract, including General and Supplementary Conditions and Division 01 Specification Sections, apply to this Section.

1.2 SUMMARY

- A. Section includes the following water treatment for closed-loop hydronic systems:
 - 1. **Manual** chemical-feed equipment.
 - 2. **Automatic** chemical-feed equipment.
 - 3. Chemicals.

1.3 DEFINITIONS

- A. Low Voltage: As defined in NFPA 70 for circuits and equipment operating at less than 50 V or for remote-control, signaling power-limited circuits.
- B. RO: Reverse osmosis.
- C. TSS: Total suspended solids are solid materials, including organic and inorganic, that are suspended in the water. These solids may include silt, plankton, and industrial wastes.

1.4 ACTION SUBMITTALS

- A. Product Data: Include rated capacities, operating characteristics, and furnished specialties and accessories for the following products:
 - 1. Bypass feeders.
 - 2. Water meters.
 - 3. Chemical solution tanks.
 - 4. Chemical material safety data sheets.
- B. Shop Drawings: Pretreatment and chemical treatment equipment showing tanks, maintenance space required, and piping connections to hydronic systems.
 - 1. Include plans, elevations, sections, and attachment details.
 - 2. Include diagrams for power, signal, and control wiring.

1.5 INFORMATIONAL SUBMITTALS

- A. Seismic Qualification Certificates: For components, from manufacturer.
 - 1. Basis for Certification: Indicate whether withstand certification is based on actual test of assembled components or on calculation.
 - 2. Dimensioned Outline Drawings of Equipment Unit: Identify center of gravity and locate and describe mounting and anchorage provisions.
 - 3. Detailed description of equipment anchorage devices on which the certification is based and their installation requirements.
- B. Water Analysis Provider Qualifications: Verification of experience and capability of HVAC water-treatment service provider.
- C. Field quality-control reports.
- D. Other Informational Submittals:
 - 1. Water-Treatment Program: Written sequence of operation on an annual basis for the application equipment required to achieve water quality defined in "Performance Requirements" Article.
 - 2. Water Analysis: Illustrate water quality available at Project site.

1.6 CLOSEOUT SUBMITTALS

- A. Operation and Maintenance Data: For sensors, injection pumps, and controllers to include in emergency, operation, and maintenance manuals.

1.7 QUALITY ASSURANCE

- A. HVAC Water-Treatment Service Provider Qualifications: An experienced HVAC water-treatment service provider capable of analyzing water qualities, installing water-treatment equipment, and applying water treatment as specified in this Section.

1.8 MAINTENANCE SERVICE

- A. Scope of Maintenance Service: Provide chemicals and service program to maintain water conditions required above to inhibit corrosion and scale formation for hydronic piping and equipment. Services and chemicals shall be provided for a period of one year from date of Substantial Completion and shall include the following:
 - 1. Initial water analysis and HVAC water-treatment recommendations.
 - 2. Startup assistance for Contractor to flush the systems, clean with detergents, and initially fill systems with required chemical treatment prior to operation.
 - 3. Customer report charts and log sheets.
 - 4. Laboratory technical analysis.
 - 5. Analyses and reports of all chemical items concerning safety and compliance with government regulations.

PART 2 - PRODUCTS

2.1 MANUFACTURERS

- A. Manufacturers: Subject to compliance with requirements, **provide products by one of the following:**
1. West Chemical
 2. Other manufacturer's may be allowed for chemical equipment installation but require owner approval to bid.

2.2 PERFORMANCE REQUIREMENTS

- A. Water quality for hydronic systems shall minimize corrosion, scale buildup, and biological growth for optimum efficiency of hydronic equipment without creating a hazard to operating personnel or the environment.
- B. Base HVAC water treatment on quality of water available at Project site, hydronic system equipment material characteristics and functional performance characteristics, operating personnel capabilities, and requirements and guidelines of authorities having jurisdiction.
- C. Closed hydronic systems, including:
1. Hot-water heating
 2. Chilled water
 3. Glycol heating
- D. Closed hydronic systems, shall have the following water qualities:
1. pH: Maintain a value within the combined recommendations of the various equipment manufacturers.
 2. Nitrite: Maintain a value within **800 to 1000** ppm.
 3. Microbiological Limits:
 - a. Total Aerobic Plate Count: Maintain a maximum value of **zero** organisms/mL.

2.3 MANUAL CHEMICAL-FEED EQUIPMENT

- A. Bypass Feeders: Steel, with corrosion-resistant exterior coating, minimum 3-1/2-inch fill opening in the top, and NPS 3/4 bottom inlet and top side outlet. Quarter turn or threaded fill cap with gasket seal and diaphragm to lock the top on the feeder when exposed to system pressure in the vessel.
1. Capacity:
 - a. **2 gal.**
 2. Minimum Working Pressure:
 - a. **125 psig**

2.4 CHEMICALS

- A. Chemicals shall be as recommended by water-treatment system manufacturer that are compatible with piping system components and connected equipment and that can attain water quality specified in "Performance Requirements" Article.

2.5 GLYCOL FEED SYSTEM

- A. One (1) 50-gallon polyethylene feed tank. Wall thickness shall be a minimum of ¼". Tank shall be mounted on a steel frame with accommodations for mounting a pump underneath. Tank shall be supplied with a removable lid and all interconnecting piping to pump including strainer and isolation valve. Tank height including stand shall not exceed 48". Tank stand shall be finished with an epoxy powder coating to protect against corrosion.
- B. One (1) Level switch to deactivate pump and activate alarm on low glycol level in the feed tank.
- C. One (1) Control panel shall house switching device for pump, audible alarm, HOA switch for pump, lights to indicate power and low level, pushbutton for alarm silence. Enclosure shall be NEMA 12. Control panel shall be mounted on the tank stand.
- D. One (1) 1/3 HP centrifugal pump mounted under the feed tank. Materials of construction shall be bronze. Pump shall provide 2.5 GPM at 60 PSIG. Rotary gear pump is not acceptable.
- E. Pressure switch shall be Honeywell L404F1078 or Square D 9012 GNG-4. One (1) Pressure switch set at:
 - 1. Field determine PSIG to activate the glycol feed pump.
 - 2. Field determine PSI for differential setting for the pressure switch.
- F. GLYCOL
 - 1. The glycol provided shall be propylene glycol as manufactured by Dow Chemical or Huntsman Chemical. Trade name shall be DowFrost HD or JeffCool HD. The water quality in the hot/chilled water system shall meet the recommendations of the glycol manufacturer so as to reduce the formation of sludge. If the water quality at the jobsite does not meet manufacturers recommendations then the glycol solution shall be provided pre-mixed with deionized water. An analysis of the glycol solution and the water quality shall be included in the O&M manuals. Glycol percentage shall be:
 - a. **40 % by volume.**

PART 3 - EXECUTION

3.1 WATER ANALYSIS

- A. Perform an analysis of supply water to determine quality of water available at Project site.

3.2 INSTALLATION

- A. Install chemical application equipment on concrete bases, level and plumb. Maintain manufacturer's recommended clearances. Arrange units so controls and devices that require servicing are accessible. Anchor chemical tanks and floor-mounting accessories to substrate.
- B. Install seismic restraints for equipment and floor-mounting accessories and anchor to building structure. Comply with requirements in Section 230548 "Vibration and Seismic Controls for HVAC" for seismic restraints.
- C. Install water testing equipment on wall near water chemical application equipment.
- D. Install glycol feed system per manufacturers recommendations.
- E. Install interconnecting control wiring for chemical treatment controls and sensors.
- F. Mount sensors and injectors in piping circuits.
- G. Bypass Feeders: Install in closed hydronic systems, including:
 - 1. Hot-water heating
 - 2. Chilled water
- H. Bypass Feeders: Install in closed hydronic systems, and equipped with the following:
 - 1. Install bypass feeder in a bypass circuit around circulating pumps unless otherwise indicated on Drawings.
 - 2. Install water meter in makeup-water supply.
 - 3. Install test-coupon assembly in bypass circuit around circulating pumps unless otherwise indicated on Drawings.
 - 4. Install a gate or full-port ball isolation valves on inlet, outlet, and drain below the feeder inlet.
 - 5. Install a swing check on the inlet after the isolation valve.

3.3 CONNECTIONS

- A. Where installing piping adjacent to equipment, allow space for service and maintenance.
- B. Make piping connections between HVAC water-treatment equipment and dissimilar-metal piping with dielectric fittings. Comply with requirements in Section 232116 "Hydronic Piping Specialties."
- C. Install shutoff valves on HVAC water-treatment equipment inlet and outlet. Metal general-duty valves are specified in Section 230523 "General-Duty Valves for HVAC Piping."
- D. Comply with requirements in Section 221119 "Domestic Water Piping Specialties" for backflow preventers required in makeup-water connections to potable-water systems.

- E. Confirm applicable electrical requirements in electrical Sections for connecting electrical equipment.
- F. Ground equipment according to Section 260526 "Grounding and Bonding for Electrical Systems."
- G. Connect wiring according to Section 260519 "Low-Voltage Electrical Power Conductors and Cables."

3.4 FIELD QUALITY CONTROL

- A. Manufacturer's Field Service: Engage a factory-authorized service representative to test and inspect components, assemblies, and equipment installations, including connections.
- B. Perform the following tests and inspections **with the assistance of a factory-authorized service representative:**
 - 1. Inspect field-assembled components and equipment installation, including piping and electrical connections.
 - 2. Inspect piping and equipment to determine that systems and equipment have been cleaned, flushed, and filled with water, and are fully operational before introducing chemicals for water-treatment system.
 - 3. Place HVAC water-treatment system into operation and calibrate controls during the preliminary phase of hydronic systems' startup procedures.
 - 4. Do not enclose, cover, or put piping into operation until it is tested and satisfactory test results are achieved.
 - 5. Test for leaks and defects. If testing is performed in segments, submit separate report for each test, complete with diagram of portion of piping tested.
 - 6. Leave uncovered and unconcealed new, altered, extended, and replaced water piping until it has been tested and approved. Expose work that has been covered or concealed before it has been tested and approved.
 - 7. Cap and subject piping to static water pressure of 50 psig above operating pressure, without exceeding pressure rating of piping system materials. Isolate test source and allow test pressure to stand for four hours. Leaks and loss in test pressure constitute defects.
 - 8. Repair leaks and defects with new materials and retest piping until no leaks exist.
- C. Equipment will be considered defective if it does not pass tests and inspections.
- D. Prepare test and inspection reports.
- E. At quarterly intervals following Substantial Completion, perform separate water analyses on hydronic systems to show that automatic chemical-feed systems are maintaining water quality within performance requirements specified in this Section. Submit written reports of water analysis advising Owner of changes necessary to adhere to "Performance Requirements" Article.
- F. Comply with ASTM D 3370 and with the following standards:

1. Silica: ASTM D 859.
2. Acidity and Alkalinity: ASTM D 1067.
3. Iron: ASTM D 1068.
4. Water Hardness: ASTM D 1126.

3.5 DEMONSTRATION

- A. **Engage a factory-authorized service representative to train** Owner's maintenance personnel to adjust, operate, and maintain HVAC water-treatment systems and equipment.
- B. Training: Provide a "how-to-use" self-contained breathing apparatus video that details exact operating procedures of equipment.

END OF SECTION

THIS PAGE INTENTIONALLY LEFT BLANK

SECTION 23 30 01 - COMMON DUCT REQUIREMENTS

PART 1 - PRODUCTS

1.1 SUMMARY

A. Includes But Not Limited To:

1. General procedures and requirements for ductwork.
2. Repair leaks in ductwork, as identified by smoke test, at no additional cost to Owner.
3. Soundproofing procedures for duct penetrations of walls, ceilings, and floors in mechanical equipment rooms.

B. Related Sections:

1. Division 07: Quality of Acoustic Sealant.
2. Section 23 0500: Common Work Results for HVAC
3. Section 23 0593: Testing Adjusting and Balancing for HVAC.

1.2 SUBMITTALS

A. Samples: Sealer and gauze proposed for sealing ductwork.

B. Quality Assurance / Control:

1. Manufacturer's installation manuals providing detailed instructions on assembly, joint sealing, and system pressure testing for leaks.
2. Specification data on sealer and gauze proposed for sealing ductwork.

1.3 QUALITY ASSURANCE

A. Requirements: Construction details not specifically called out in Contract Documents shall conform to applicable requirements of SMACNA HVAC Duct Construction Standards.

B. Pre-Installation Conference: Schedule conference immediately before installation of ductwork.

PART 2 - PRODUCTS

- 2.1 Finishes, Where Applicable: Colors as selected by Architect.
- 2.2 Duct Hangers:
- A. One inch by **18 ga** galvanized steel straps or steel rods as shown on Drawings, and spaced not more than **96 inches** apart. Do not use wire hangers.
 - 1. Attaching screws at trusses shall be **2 inch** No. 10 round head wood screws. Nails not allowed.
 - 2. Attach threaded rod to steel joist with Grinnell Steel washer plate Fig. 60 - ph-1. Double nut connection.
- 2.3 Penetration Soundproofing Materials:
- A. Insulation for Packing: Fiberglass.
 - B. Calking: Polysulphide.
 - C. Escutcheon Frame: **22 ga** galvanized iron **2 inches** wide.

PART 3 - EXECUTION

- 3.1 INSTALLATION
- A. During installation, protect open ends of ducts by covering with plastic sheet tied in place to prevent entrance of debris and dirt.
 - B. Make necessary allowances and provisions in installation of sheet metal ducts for structural conditions of building. Revisions in layout and configuration may be allowed, with prior written approval of Architect. Maintain required airflows in suggesting revisions.
 - C. Hangers And Supports:
 - 1. Install pair of hangers close to each transverse joint and elsewhere as required by spacing indicated in table on Drawings.
 - 2. Install upper ends of hanger securely to floor or roof construction above by method shown on Drawings.
 - 3. Attach strap hangers to ducts with cadmium-plated screws. Use of pop rivets or other means will not be accepted.
 - 4. Where hangers are secured to forms before concrete slabs are poured, cut off flush all nails, strap ends, and other projections after forms are removed.
 - 5. Secure vertical ducts passing through floors by extending bracing angles to rest firmly on floors without loose blocking or shimming. Support vertical ducts, which do not pass through floors, by using bands bolted to walls, columns, etc. Size,

spacing, and method of attachment to vertical ducts shall be same as specified for hanger bands on horizontal ducts.

D. Penetration Soundproofing

1. Pack space between ducts and structure full of fiberglass insulation of sufficient thickness to be wedged tight, allowing space for application of caulking.
2. Provide caulking at least **2 inches** thick between duct and structure on both ends of opening through structure.
3. Provide metal escutcheon on Equipment Room side. Secure escutcheon to wall.

3.2 CLEANING

- A. Clean interior of duct systems before final completion.

END OF SECTION

THIS PAGE INTENTIONALLY LEFT BLANK

SECTION 23 31 13 - METAL DUCTS

PART 1 - GENERAL

1.1 RELATED DOCUMENTS

- A. Drawings and general provisions of the Contract, including General and Supplementary Conditions and Division 01 Specification Sections, apply to this Section.

1.2 SUMMARY

A. Section Includes:

1. Single-wall rectangular ducts and fittings.
2. Double-wall rectangular ducts and fittings.
3. Single-wall **round** ducts and fittings.
4. Exhaust Air Stacks
5. Guy wires and connectors.
6. Sheet metal materials.
7. Duct liner.
8. Sealants and gaskets.
9. Hangers and supports.

B. Related Sections:

1. Section 230593 "Testing, Adjusting, and Balancing for HVAC" for testing, adjusting, and balancing requirements for metal ducts.
2. Section 233300 "Air Duct Accessories" for dampers, sound-control devices, duct-mounting access doors and panels, turning vanes, and flexible ducts.
3. Section 230713 "Duct Insulation" for duct insulation and fire wrap.

1.3 PERFORMANCE REQUIREMENTS

- A. Delegated Duct Design: Duct construction, including sheet metal thicknesses, seam and joint construction, reinforcements, and hangers and supports, shall comply with SMACNA's "HVAC Duct Construction Standards - Metal and Flexible" and performance requirements and design criteria indicated in "Duct Schedule" Article.
- B. Airstream Surfaces: Surfaces in contact with the airstream shall comply with requirements in ASHRAE 62.1.

1.4 ACTION SUBMITTALS

- A. Product Data: For each type of the following products:
1. Liners and adhesives.

2. Sealants and gaskets.

B. Shop Drawings:

1. Fabrication, assembly, and installation, including plans, elevations, sections, components, and attachments to other work.
2. Factory- and shop-fabricated ducts and fittings.
3. Duct layout indicating sizes, configuration, liner material, and static-pressure classes.
4. Elevation of top of ducts.
5. Dimensions of main duct runs from building grid lines.
6. Fittings.
7. Reinforcement and spacing.
8. Seam and joint construction.
9. Penetrations through fire-rated and other partitions.
10. Equipment installation based on equipment being used on Project.
11. Locations for duct accessories, including dampers, turning vanes, and access doors and panels.
- 12. Hangers and supports, including methods for duct and building attachment and vibration isolation.**
13. Duct fabrication shall not begin until shop drawings have been submitted and reviewed by the mechanical engineer.

C. Delegated-Design Submittal:

1. Sheet metal thicknesses.
2. Joint and seam construction and sealing.
3. Reinforcement details and spacing.
4. Materials, fabrication, assembly, and spacing of hangers and supports.
- 5. Design Calculations: Calculations for selecting hangers and supports.**

1.5 INFORMATIONAL SUBMITTALS

A. Coordination Drawings: Plans, drawn to scale, on which the following items are shown and coordinated with each other, using input from installers of the items involved:

1. Duct installation in congested spaces, indicating coordination with general construction, building components, and other building services. Indicate proposed changes to duct layout.
2. Suspended ceiling components.
3. Structural members to which duct will be attached.
4. Size and location of initial access modules for acoustical tile.
5. Penetrations of smoke barriers and fire-rated construction.
6. Items penetrating finished ceiling including, but not limited to the following:
 - a. Lighting fixtures.
 - b. Air outlets and inlets.
 - c. Speakers.
 - d. Sprinklers.
 - e. Access panels.

- f. Perimeter moldings.
 - B. Field quality-control reports.
- 1.6 QUALITY ASSURANCE
- A. Welding Qualifications: Qualify procedures and personnel according to **AWS D1.1/D1.1M, "Structural Welding Code - Steel," for hangers and supports.**
 - B. Welding Qualifications: Qualify procedures and personnel according to the following:
 - 1. AWS D1.1/D1.1M, "Structural Welding Code - Steel," for hangers and supports.
 - 2. AWS D1.2/D1.2M, "Structural Welding Code - Aluminum," for aluminum supports.
 - 3. AWS D9.1M/D9.1, "Sheet Metal Welding Code," for duct joint and seam welding.
 - C. ASHRAE Compliance: Applicable requirements in ASHRAE 62.1, Section 5 - "Systems and Equipment" and Section 7 - "Construction and System Start-up."
 - D. ASHRAE/IESNA Compliance: Applicable requirements in ASHRAE/IESNA 90.1, Section 6.4.4 - "HVAC System Construction and Insulation."

PART 2 - PRODUCTS

2.1 SINGLE-WALL RECTANGULAR DUCTS AND FITTINGS

- A. General Fabrication Requirements: Comply with SMACNA's "HVAC Duct Construction Standards - Metal and Flexible" based on indicated static-pressure class unless otherwise indicated.
- B. Transverse Joints: Select joint types and fabricate according to SMACNA's "HVAC Duct Construction Standards - Metal and Flexible," Figure 2-1, "Rectangular Duct/Transverse Joints," for static-pressure class, applicable sealing requirements, materials involved, duct-support intervals, and other provisions in SMACNA's "HVAC Duct Construction Standards - Metal and Flexible."
- C. Longitudinal Seams: Select seam types and fabricate according to SMACNA's "HVAC Duct Construction Standards - Metal and Flexible," Figure 2-2, "Rectangular Duct/Longitudinal Seams," for static-pressure class, applicable sealing requirements, materials involved, duct-support intervals, and other provisions in SMACNA's "HVAC Duct Construction Standards - Metal and Flexible."
- D. Duct dimensions shown on drawings are inside clear dimensions.
- E. Elbows, Transitions, Offsets, Branch Connections, and Other Duct Construction: Select types and fabricate according to SMACNA's "HVAC Duct Construction Standards - Metal and Flexible," Chapter 4, "Fittings and Other Construction," for static-pressure class, applicable sealing requirements, materials involved, duct-support intervals, and other provisions in SMACNA's "HVAC Duct Construction Standards - Metal and Flexible."

2.2 DOUBLE-WALL RECTANGULAR DUCTS AND FITTINGS

- A. Rectangular Ducts: Fabricate ducts with indicated dimensions for the inner duct.
- B. Duct dimensions shown on drawings are inside clear dimensions.
- C. Outer Duct: Comply with SMACNA's "HVAC Duct Construction Standards - Metal and Flexible" based on indicated static-pressure class unless otherwise indicated.
- D. Transverse Joints: Select joint types and fabricate according to SMACNA's "HVAC Duct Construction Standards - Metal and Flexible," Figure 2-1, "Rectangular Duct/Transverse Joints," for static-pressure class, applicable sealing requirements, materials involved, duct-support intervals, and other provisions in SMACNA's "HVAC Duct Construction Standards - Metal and Flexible."
- E. Longitudinal Seams: Select seam types and fabricate according to SMACNA's "HVAC Duct Construction Standards - Metal and Flexible," Figure 2-2, "Rectangular Duct/Longitudinal Seams," for static-pressure class, applicable sealing requirements, materials involved, duct-support intervals, and other provisions in SMACNA's "HVAC Duct Construction Standards - Metal and Flexible."
- F. Interstitial Insulation: Fibrous-glass liner complying with ASTM C 1071, NFPA 90A, or NFPA 90B; and with NAIMA AH124, "Fibrous Glass Duct Liner Standard."
 - 1. Maximum Thermal Conductivity: **0.27 Btu x in./h x sq. ft. x deg F** at **75 deg F** mean temperature.
 - 2. Install spacers that position the inner duct at uniform distance from outer duct without compressing insulation.
 - 3. Coat insulation with antimicrobial coating.
 - 4. Cover insulation with polyester film complying with UL 181, Class 1.
- G. Interstitial Insulation: Flexible elastomeric duct liner complying with ASTM C 534, Type II for sheet materials, and with NFPA 90A or NFPA 90B.
 - 1. Maximum Thermal Conductivity: **0.25 Btu x in./h x sq. ft. x deg F** at **75 deg F** mean temperature.
- H. **Inner Duct:** Minimum **0.028-inch** perforated galvanized sheet steel having **3/32-inch-**diameter perforations, with overall open area of 23 percent. Inner duct shall be solid sheet steel a minimum of 10 feet downstream of humidifiers or air washers.
- I. Formed-on Transverse Joints (Flanges): Select joint types and fabricate according to SMACNA's "HVAC Duct Construction Standards - Metal and Flexible," Figure 2-1, "Rectangular Duct/Transverse Joints," for static-pressure class, applicable sealing requirements, materials involved, duct-support intervals, and other provisions in SMACNA's "HVAC Duct Construction Standards - Metal and Flexible."
- J. Longitudinal Seams: Select seam types and fabricate according to SMACNA's "HVAC Duct Construction Standards - Metal and Flexible," Figure 2-2, "Rectangular Duct/Longitudinal Seams," for static-pressure class, applicable sealing requirements,

materials involved, duct-support intervals, and other provisions in SMACNA's "HVAC Duct Construction Standards - Metal and Flexible."

2.3 SINGLE-WALL ROUND DUCTS AND FITTINGS

- A. General Fabrication Requirements: Comply with SMACNA's "HVAC Duct Construction Standards - Metal and Flexible," Chapter 3, "Round, Oval, and Flexible Duct," based on indicated static-pressure class unless otherwise indicated.
- B. Duct dimensions shown on drawings are inside clear dimensions.
- C. Transverse Joints: Select joint types and fabricate according to SMACNA's "HVAC Duct Construction Standards - Metal and Flexible," Figure 3-1, "Round Duct Transverse Joints," for static-pressure class, applicable sealing requirements, materials involved, duct-support intervals, and other provisions in SMACNA's "HVAC Duct Construction Standards - Metal and Flexible."
 - 1. Transverse Joints in Ducts Larger Than **60 Inches** in Diameter: Flanged.
- D. Longitudinal Seams: Not allowed.
- E. Tees and Laterals: Select types and fabricate according to SMACNA's "HVAC Duct Construction Standards - Metal and Flexible," Figure 3-5, "90 Degree Tees and Laterals," and Figure 3-6, "Conical Tees," for static-pressure class, applicable sealing requirements, materials involved, duct-support intervals, and other provisions in SMACNA's "HVAC Duct Construction Standards - Metal and Flexible."

2.4 EXHAUST AIR STACKS

- A. General Fabrication Requirements: Comply with SMACNA's "HVAC Duct Construction Standards - Metal and Flexible," Chapter 3, "Round, Oval, and Flexible Duct," based on indicated static-pressure class unless otherwise indicated.
- B. Transverse Joints: Select joint types and fabricate according to SMACNA's "HVAC Duct Construction Standards - Metal and Flexible," Figure 3-1, "Round Duct Transverse Joints," for static-pressure class, applicable sealing requirements, materials involved, duct-support intervals, and other provisions in SMACNA's "HVAC Duct Construction Standards - Metal and Flexible."
 - 1. Transverse Joints in Ducts Larger Than **60 Inches** in Diameter: Flanged.
- C. Longitudinal Seams: Not allowed.
- D. Tees and Laterals: Select types and fabricate according to SMACNA's "HVAC Duct Construction Standards - Metal and Flexible," Figure 3-5, "90 Degree Tees and Laterals," and Figure 3-6, "Conical Tees," for static-pressure class, applicable sealing requirements, materials involved, duct-support intervals, and other provisions in SMACNA's "HVAC Duct Construction Standards - Metal and Flexible."
- E. Design Wind Loads: **150 mph.**

- F. Design for seismic conditions at Project site.
- G. Accessories: Terminations, adjustable roof flashings, storm collars, support assemblies, thimbles, firestop spacers, and fasteners; fabricated from similar materials and designs as duct straight sections.
 - 1. Termination: Antibackdraft damper.
- H. Drain: Provide drain section incorporated into base of stack with trap. Seal depth design to prevent seal blowout at highest estimated static pressure.
- I. Guying and Bracing Materials
 - 1. Cable: Three minimum galvanized or stainless steel, stranded wires of the following thickness: **Four**
 - a. Minimum Size: **1/4 inch** in diameter.
 - b. For ID Sizes **4 to 15 inches**: **5/16 inch**.
 - c. For ID Sizes **18 to 24 inches**: **3/8 inch**.
 - d. For ID Sizes **27 to 30 inches**: **7/16 inch**.
 - e. For ID Sizes **33 to 36 inches**: **1/2 inch**.
 - f. For ID Sizes **39 to 48 inches**: **9/16 inch**.
 - g. For ID Sizes **51 to 60 inches**: **5/8 inch**.
 - 2. Cable Hardware: Provide duct angle ring, turnbuckles, cable loop thimbles, cable clamps and all hardware necessary to brace stack.
 - 3. Pipe: Two galvanized steel, **NPS 1-1/4**.
 - 4. Angle Iron: Two galvanized steel, **2 by 2 by 0.25 inch**.

2.5 SHEET METAL MATERIALS

- A. General Material Requirements: Comply with SMACNA's "HVAC Duct Construction Standards - Metal and Flexible" for acceptable materials, material thicknesses, and duct construction methods unless otherwise indicated. Sheet metal materials shall be free of pitting, seam marks, roller marks, stains, discolorations, and other imperfections.
- B. Galvanized Sheet Steel: Comply with ASTM A 653.
 - 1. Galvanized Coating Designation: **G90**.
 - 2. Finishes for Surfaces Exposed to View: Mill phosphatized.
- C. Stainless-Steel Sheets: Comply with ASTM A 480/A 480M, Type 304 or 316, as indicated in the "Duct Schedule" Article; cold rolled, annealed, sheet. Exposed surface finish shall be No. 2B, No. 2D, No. 3, or No. 4 as indicated in the "Duct Schedule" Article.
- D. Aluminum Sheets: Comply with **ASTM B 209** Alloy 3003, H14 temper; with mill finish for concealed ducts, and standard, one-side bright finish for duct surfaces exposed to view.
- E. Reinforcement Shapes and Plates: ASTM A 36, steel plates, shapes, and bars; black and galvanized.

1. Where black- and galvanized-steel shapes and plates are used to reinforce aluminum ducts, isolate the different metals with butyl rubber, neoprene, or EPDM gasket materials.
- F. Tie Rods: Galvanized steel, **1/4-inch** minimum diameter for lengths **36 inches** or less; **3/8-inch** minimum diameter for lengths longer than **36 inches**.

2.6 DUCT LINER

- A. Fibrous-Glass Duct Liner: Comply with ASTM C 1071, NFPA 90A, or NFPA 90B; and with NAIMA AH124, "Fibrous Glass Duct Liner Standard."
1. Manufacturers: Subject to compliance with requirements, provide products by one of the following:
 - a. CertainTeed Corporation; Insulation Group.
 - b. Johns Manville.
 - c. Knauf Insulation.
 - d. Owens Corning.
 2. Maximum Thermal Conductivity:
 - a. Type I, Flexible: **0.27 Btu x in./h x sq. ft. x deg F** at **75 deg F** mean temperature.
 - b. Type II, Rigid: **0.23 Btu x in./h x sq. ft. x deg F** at **75 deg F** mean temperature.
 3. Antimicrobial Erosion-Resistant Coating: Apply to the surface of the liner that will form the interior surface of the duct to act as a moisture repellent and erosion-resistant coating. Antimicrobial compound shall be tested for efficacy by an NRTL and registered by the EPA for use in HVAC systems.
 4. Water-Based Liner Adhesive:
 - a. Comply with NFPA 90A or NFPA 90B and with ASTM C 916.
 - b. For indoor applications, adhesive shall have a VOC content of 80 g/L or less when calculated according to 40 CFR 59, Subpart D (EPA Method 24).
- B. Flexible Elastomeric Duct Liner: Preformed, cellular, closed-cell, sheet materials complying with ASTM C 534, Type II, Grade 1; and with NFPA 90A or NFPA 90B.
1. Manufacturers: Subject to compliance with requirements, provide products by one of the following:
 - a. Aeroflex USA Inc.
 - b. Armacell LLC.
 - c. Rubatex International, LLC
 2. Surface-Burning Characteristics: Maximum flame-spread index of 25 and maximum smoke-developed index of 50 when tested according to UL 723; certified by an NRTL.
 3. Liner Adhesive: As recommended by insulation manufacturer and complying with NFPA 90A or NFPA 90B.

- a. For indoor applications, adhesive shall have a VOC content of 50 g/L or less when calculated according to 40 CFR 59, Subpart D (EPA Method 24).
- C. Insulation Pins and Washers:
1. Cupped-Head, Capacitor-Discharge-Weld Pins: Copper- or zinc-coated steel pin, fully annealed for capacitor-discharge welding, length to suit depth of insulation indicated with integral **1-1/2-inch** galvanized carbon-steel washer.
 - a. **0.135-inch**-diameter shank.
 2. Insulation-Retaining Washers: With beveled edge sized as required to hold insulation securely in place but not less than **1-1/2 inches** in diameter.
 - a. Self-locking washers formed from **0.016-inch-thick aluminum**.
- D. Shop Application of Duct Liner: Comply with SMACNA's "HVAC Duct Construction Standards - Metal and Flexible," Figure 7-11, "Flexible Duct Liner Installation."
1. Adhere a single layer of indicated thickness of duct liner with at least 90 percent adhesive coverage at liner contact surface area. Attaining indicated thickness with multiple layers of duct liner is prohibited.
 2. Apply adhesive to transverse edges of liner facing upstream that do not receive metal nosing.
 3. Butt transverse joints without gaps, and coat joint with adhesive.
 4. Fold and compress liner in corners of rectangular ducts or cut and fit to ensure butted-edge overlapping.
 5. Do not apply liner in rectangular ducts with longitudinal joints, except at corners of ducts, unless duct size and dimensions of standard liner make longitudinal joints necessary.
 6. Secure liner with mechanical fasteners **4 inches** from corners and at intervals not exceeding **12 inches** transversely; at **3 inches** from transverse joints and at intervals not exceeding **18 inches** longitudinally.
 7. Secure transversely oriented liner edges facing the airstream with metal nosings that have either channel or "Z" profiles or are integrally formed from duct wall. Fabricate edge facings at the following locations:
 - a. Fan discharges.
 - b. Intervals of lined duct preceding unlined duct.
 8. Secure insulation between perforated sheet metal inner duct of same thickness as specified for outer shell. Use mechanical fasteners that maintain inner duct at uniform distance from outer shell without compressing insulation.
 - a. Sheet Metal Inner Duct Perforations: **3/32-inch** diameter, with an overall open area of 23 percent.
 9. Terminate inner ducts with buildouts attached to fire-damper sleeves, dampers, turning vane assemblies, or other devices. Fabricated build-outs (metal hat sections) or other buildout means are optional; when used, secure buildouts to duct walls with bolts, screws, rivets, or welds.

2.7 SEALANT AND GASKETS

- A. General Sealant and Gasket Requirements: Surface-burning characteristics for sealants and gaskets shall be a maximum flame-spread index of 25 and a maximum smoke-developed index of 50 when tested according to UL 723; certified by an NRTL.
- B. Two-Part Tape Sealing System:
1. Tape: Woven cotton fiber impregnated with mineral gypsum and modified acrylic/silicone activator to react exothermically with tape to form hard, durable, airtight seal.
 2. Tape Width: **4 inches**.
 3. Sealant: Modified styrene acrylic.
 4. Water resistant.
 5. Mold and mildew resistant.
 6. Maximum Static-Pressure Class: **10-inch wg**, positive and negative.
 7. Service: Indoor and outdoor.
 8. Service Temperature: **Minus 40 to plus 200 deg F**.
 9. Substrate: Compatible with galvanized sheet steel (both PVC coated and bare), stainless steel, or aluminum.
 10. For indoor applications, sealant shall have a VOC content of 250 g/L or less when calculated according to 40 CFR 59, Subpart D (EPA Method 24).
- C. Water-Based Joint and Seam Sealant:
1. Application Method: Brush on.
 2. Solids Content: Minimum 65 percent.
 3. Shore A Hardness: Minimum 20.
 4. Water resistant.
 5. Mold and mildew resistant.
 6. VOC: Maximum 75 g/L (less water).
 7. Maximum Static-Pressure Class: **10-inch wg**, positive and negative.
 8. Service: Indoor or outdoor.
 9. Substrate: Compatible with galvanized sheet steel, stainless steel, or aluminum sheets.
- D. Solvent-Based Joint and Seam Sealant:
1. Application Method: Brush on.
 2. Base: Synthetic rubber resin.
 3. Solvent: Toluene and heptane.
 4. Solids Content: Minimum 60 percent.
 5. Shore A Hardness: Minimum 60.
 6. Water resistant.
 7. Mold and mildew resistant.
 8. For indoor applications, sealant shall have a VOC content of 250 g/L or less when calculated according to 40 CFR 59, Subpart D (EPA Method 24).
 9. VOC: Maximum 395 g/L.
 10. Maximum Static-Pressure Class: **10-inch wg**, positive or negative.
 11. Service: Indoor or outdoor.

12. Substrate: Compatible with galvanized sheet steel (both PVC coated and bare), stainless steel, or aluminum sheets.
- E. Flanged Joint Sealant: Comply with ASTM C 920.
1. General: Single-component, acid-curing, silicone, elastomeric.
 2. Type: S.
 3. Grade: NS.
 4. Class: 25.
 5. Use: O.
 6. For indoor applications, sealant shall have a VOC content of 250 g/L or less when calculated according to 40 CFR 59, Subpart D (EPA Method 24).
- F. Flange Gaskets: Butyl rubber, neoprene, or EPDM polymer with polyisobutylene plasticizer.
- G. Round Duct Joint O-Ring Seals:
1. Seal shall provide maximum leakage class of **3 cfm/100 sq. ft. at 1-inch wg** and shall be rated for **10-inch wg** static-pressure class, positive or negative.
 2. EPDM O-ring to seal in concave bead in coupling or fitting spigot.
 3. Double-lipped, EPDM O-ring seal, mechanically fastened to factory-fabricated couplings and fitting spigots.

2.8 HANGERS AND SUPPORTS

- A. Hanger Rods for Noncorrosive Environments: Cadmium-plated steel rods and nuts.
- B. Hanger Rods for Corrosive Environments: Electrogalvanized, all-thread rods or galvanized rods with threads painted with zinc-chromate primer after installation.
- C. Strap and Rod Sizes: Comply with SMACNA's "HVAC Duct Construction Standards - Metal and Flexible," **Table 5-1**, "Rectangular Duct Hangers Minimum Size," and Table 5-2, "Minimum Hanger Sizes for Round Duct."
- D. Steel Cables for Galvanized-Steel Ducts: Galvanized steel complying with ASTM A 603.
- E. Steel Cables for Stainless-Steel Ducts: Stainless steel complying with ASTM A 492.
- F. Steel Cable End Connections: Cadmium-plated steel assemblies with brackets, swivel, and bolts designed for duct hanger service; with an automatic-locking and clamping device.
- G. Duct Attachments: Sheet metal screws, blind rivets, or self-tapping metal screws; compatible with duct materials.
- H. Trapeze and Riser Supports:
1. Supports for Galvanized-Steel Ducts: Galvanized-steel shapes and plates.
 2. Supports for Stainless-Steel Ducts: Stainless-steel shapes and plates.

3. Supports for Aluminum Ducts: Aluminum or galvanized steel coated with zinc chromate.

PART 3 - EXECUTION

3.1 DUCT INSTALLATION

- A. Drawing plans, schematics, and diagrams indicate general location and arrangement of duct system. Indicated duct locations, configurations, and arrangements were used to size ducts and calculate friction loss for air-handling equipment sizing and for other design considerations. Install duct systems as indicated unless deviations to layout are approved on Shop Drawings and Coordination Drawings.
- B. Install ducts according to SMACNA's "HVAC Duct Construction Standards - Metal and Flexible" unless otherwise indicated.
- C. Install **round** ducts in maximum practical lengths.
- D. Install ducts with fewest possible joints.
- E. Install factory- or shop-fabricated fittings for changes in direction, size, and shape and for branch connections.
- F. Unless otherwise indicated, install ducts vertically and horizontally, and parallel and perpendicular to building lines.
- G. Install ducts close to walls, overhead construction, columns, and other structural and permanent enclosure elements of building.
- H. Install ducts with a clearance of **2 inch**, plus allowance for insulation thickness.
- I. Route ducts to avoid passing through transformer vaults and electrical equipment rooms and enclosures.
- J. Where ducts pass through non-fire-rated interior partitions and exterior walls and are exposed to view, cover the opening between the partition and duct or duct insulation with sheet metal flanges of same metal thickness as the duct. Overlap openings on four sides by at least **1-1/2 inches**.
- K. Where ducts pass through fire-rated interior partitions and exterior walls, install fire dampers. Comply with requirements in Section 233300 "Air Duct Accessories" for fire and smoke dampers.
- L. Protect duct interiors from moisture, construction debris and dust, and other foreign materials. **Comply with SMACNA's "IAQ Guidelines for Occupied Buildings Under Construction," Appendix G, "Duct Cleanliness for New Construction Guidelines"** .

3.2 DUCT SEALING

- A. Seal ducts for duct static-pressure, seal classes, and leakage classes specified in "Duct Schedule" Article according to SMACNA's "HVAC Duct Construction Standards - Metal and Flexible."
- B. Seal ducts to the following seal classes according to SMACNA's "HVAC Duct Construction Standards - Metal and Flexible":
 - 1. Comply with SMACNA's "HVAC Duct Construction Standards - Metal and Flexible."
 - 2. **Supply-Air Ducts: Seal Class A.**
 - 3. **Return-Air Ducts: Seal Class A.**
 - 4. **Exhaust-Air Ducts: Seal Class A.**

3.3 HANGER AND SUPPORT INSTALLATION

- A. Comply with SMACNA's "HVAC Duct Construction Standards - Metal and Flexible," Chapter 5, "Hangers and Supports."
- B. Building Attachments: Concrete inserts, powder-actuated fasteners, or structural-steel fasteners appropriate for construction materials to which hangers are being attached.
 - 1. Where practical, install concrete inserts before placing concrete.
 - 2. Install powder-actuated concrete fasteners after concrete is placed and completely cured.
 - 3. Use powder-actuated concrete fasteners for standard-weight aggregate concretes or for slabs more than **4 inches** thick.
 - 4. Do not use powder-actuated concrete fasteners for lightweight-aggregate concretes or for slabs less than **4 inches** thick.
 - 5. Do not use powder-actuated concrete fasteners for seismic restraints.
- C. Hanger Spacing: Comply with SMACNA's "HVAC Duct Construction Standards - Metal and Flexible," **Table 5-1**, "Rectangular Duct Hangers Minimum Size," and Table 5-2, "Minimum Hanger Sizes for Round Duct," for maximum hanger spacing; install hangers and supports within **24 inches** of each elbow and within **48 inches** of each branch intersection.
- D. Hangers Exposed to View: Threaded rod and angle or channel supports.
- E. Support vertical ducts with steel angles or channel secured to the sides of the duct with welds, bolts, sheet metal screws, or blind rivets; support at each floor and at a maximum intervals of **16 feet**.
- F. Install upper attachments to structures. Select and size upper attachments with pull-out, tension, and shear capacities appropriate for supported loads and building materials where used.

3.4 SEISMIC-RESTRAINT-DEVICE INSTALLATION

- A. Install ducts with hangers and braces designed to support the duct and to restrain against seismic forces required by applicable building codes. Comply with the requirements specified in Section 230548 "Vibration and Seismic Controls for HVAC."
 - 1. Comply with **ASCE/SEI 7**.

3.5 CONNECTIONS

- A. Make connections to equipment with flexible connectors complying with Section 233300 "Air Duct Accessories."
- B. Comply with SMACNA's "HVAC Duct Construction Standards - Metal and Flexible" for branch, outlet and inlet, and terminal unit connections.

3.6 PAINTING

- A. Paint interior of metal ducts that are visible through registers and grilles and that do not have duct liner. Apply one coat of flat, black, latex paint over a compatible galvanized-steel primer. Paint materials and application requirements are specified in Section 099113 "Exterior Painting" and Section 099123 "Interior Painting."

3.7 FIELD QUALITY CONTROL

- A. Perform tests and inspections.
- B. Leakage Tests:
 - 1. Comply with SMACNA's "HVAC Air Duct Leakage Test Manual." Submit a test report for each test.
 - 2. Test the following systems:
 - a. Supply Ducts with a Pressure Class of **2-Inch wg** or Higher: Test representative duct sections, selected by Architect from sections installed, totaling no less than 50 percent of total installed duct area for each designated pressure class.
 - b. Return Ducts with a Pressure Class of **2-Inch wg** or Higher: Test representative duct sections, selected by Architect from sections installed, totaling no less than 50 percent of total installed duct area for each designated pressure class.
 - c. Exhaust Ducts with a Pressure Class of **2-Inch wg** or Higher: Test representative duct sections, selected by Architect from sections installed, totaling no less than 50 percent of total installed duct area for each designated pressure class.
 - d. Outdoor Air Ducts with a Pressure Class of **2-Inch wg** or Higher: Test representative duct sections, selected by Architect from sections installed, totaling no less than **50 percent** of total installed duct area for each designated pressure class.

3. Disassemble, reassemble, and seal segments of systems to accommodate leakage testing and for compliance with test requirements.
4. Test for leaks before applying external insulation.
5. Conduct tests at static pressures equal to maximum design pressure of system or section being tested. If static-pressure classes are not indicated, test system at maximum system design pressure. Do not pressurize systems above maximum design operating pressure.
6. Give **seven** days' advance notice for testing.

C. Duct System Cleanliness Tests:

1. Visually inspect duct system to ensure that no visible contaminants are present.
2. Any liner showing evidence that it has wet at any time shall be removed and replaced with new liner.
 - a. Disinfect affected sheet metal, and pins.
 - b. Install new liner per specifications
 - c. Seal friable edges and seams of repaired liner.

D. Duct system will be considered defective if it does not pass tests and inspections.

E. Prepare test and inspection reports.

3.8 DUCT CLEANING

A. Clean **new** duct system before testing, adjusting, and balancing.

B. Use service openings for entry and inspection.

1. Create new openings and install access panels appropriate for duct static-pressure class if required for cleaning access. Provide insulated panels for insulated or lined duct. Patch insulation and liner as recommended by duct liner manufacturer. Comply with Section 233300 "Air Duct Accessories" for access panels and doors.
2. Disconnect and reconnect flexible ducts as needed for cleaning and inspection.
3. Remove and reinstall ceiling to gain access during the cleaning process.

C. Particulate Collection and Odor Control:

1. When venting vacuuming system inside the building, use HEPA filtration with **99.97 percent** collection efficiency for **0.3-micron-size** (or larger) particles.
2. When venting vacuuming system to outdoors, use filter to collect debris removed from HVAC system, and locate exhaust downwind and away from air intakes and other points of entry into building.

D. Clean the following components by removing surface contaminants and deposits:

1. Air outlets and inlets (registers, grilles, and diffusers).

2. Supply, return, and exhaust fans including fan housings, plenums (except ceiling supply and return plenums), scrolls, blades or vanes, shafts, baffles, dampers, and drive assemblies.
3. Air-handling unit internal surfaces and components including mixing box, coil section, air wash systems, spray eliminators, condensate drain pans, humidifiers and dehumidifiers, filters and filter sections, and condensate collectors and drains.
4. Coils and related components.
5. Return-air ducts, dampers, actuators, and turning vanes except in ceiling plenums and mechanical equipment rooms.
6. Supply-air ducts, dampers, actuators, and turning vanes.
7. Dedicated exhaust and ventilation components and makeup air systems.

E. Mechanical Cleaning Methodology:

1. Clean metal duct systems using mechanical cleaning methods that extract contaminants from within duct systems and remove contaminants from building.
2. Use vacuum-collection devices that are operated continuously during cleaning. Connect vacuum device to downstream end of duct sections so areas being cleaned are under negative pressure.
3. Use mechanical agitation to dislodge debris adhered to interior duct surfaces without damaging integrity of metal ducts, duct liner, or duct accessories.
4. Clean fibrous-glass duct liner with HEPA vacuuming equipment; do not permit duct liner to get wet. Replace fibrous-glass duct liner that is damaged, deteriorated, or delaminated or that has friable material, mold, or fungus growth.
5. Clean coils and coil drain pans according to NADCA 1992. Keep drain pan operational. Rinse coils with clean water to remove latent residues and cleaning materials; comb and straighten fins.
6. Provide drainage and cleanup for wash-down procedures.
7. Antimicrobial Agents and Coatings: Apply EPA-registered antimicrobial agents if fungus is present. Apply antimicrobial agents according to manufacturer's written instructions after removal of surface deposits and debris.

3.9 START UP

- A. Air Balance: Comply with requirements in Section 230593 "Testing, Adjusting, and Balancing for HVAC."

3.10 DUCT SCHEDULE

- A. Fabricate ducts with galvanized sheet steel.
- B. Ductwork running in areas where there are no ceilings or when noted on the drawings shall be doubled wall duct and shall meet the requirements indicated below.
- C. Supply Ducts:
1. Ducts Connected to Fan Coil Units and Terminal Units:

- a. Pressure Class: Positive **2-inch wg.**
 - b. Minimum SMACNA Seal Class: **A.**
 - c. Minimum SMACNA Seal Class: **A.**
 - d. SMACNA Leakage Class for Rectangular: **16.**
 - e. SMACNA Leakage Class for Round: **8.**
2. Ducts Connected to Constant-Volume Air-Handling Units:
 - a. Pressure Class: Positive **3-inch wg.**
 - b. Minimum SMACNA Seal Class: **A.**
 - c. SMACNA Leakage Class for Rectangular: **8.**
 - d. SMACNA Leakage Class for Round: **4.**
 3. Ducts Connected to Variable-Air-Volume Air-Handling Units:
 - a. Pressure Class: Positive **6-inch wg.**
 - b. Minimum SMACNA Seal Class: **A.**
 - c. SMACNA Leakage Class for Rectangular: **4.**
 - d. SMACNA Leakage Class for Round: **2.**
 4. Ducts Connected to Equipment Not Listed Above:
 - a. Pressure Class: Positive **4-inch wg.**
 - b. Minimum SMACNA Seal Class: **A.**
 - c. SMACNA Leakage Class for **Rectangular: 4.**
 - d. SMACNA Leakage Class for Round: **2.**
- D. Return Ducts:
1. Ducts Connected to Fan Coil Units and Terminal Units:
 - a. Pressure Class: Positive or negative **2-inch wg.**
 - b. Minimum SMACNA Seal Class: **A.**
 - c. SMACNA Leakage Class for Rectangular: **16.**
 - d. SMACNA Leakage Class for Round: **8.**
 2. Ducts Connected to Air-Handling Units:
 - a. Pressure Class: Positive or negative **2-inch wg.**
 - b. Minimum SMACNA Seal Class: **A.**
 - c. SMACNA Leakage Class for Rectangular: **16.**
 - d. SMACNA Leakage Class for Round: **8.**

3. Ducts Connected to Equipment Not Listed Above:
 - a. Pressure Class: Positive or negative **3-inch wg.**
 - b. Minimum SMACNA Seal Class: **A.**
 - c. SMACNA Leakage Class for Rectangular: **8.**
 - d. SMACNA Leakage Class for Round: **4.**
- E. Exhaust Ducts:
1. Ducts Connected to Fans Exhausting (ASHRAE 62.1, Class 1 and 2) Air:
 - a. Pressure Class: Negative **2-inch wg.**
 - b. Minimum SMACNA Seal Class: **A.**
 - c. SMACNA Leakage Class for Rectangular: **16.**
 - d. SMACNA Leakage Class for Round: **4.**
 2. Ducts Connected to Equipment Not Listed Above:
 - a. Pressure Class: Positive or negative **4-inch wg.**
 - b. Minimum SMACNA Seal Class: **A.**
 - c. SMACNA Leakage Class for Rectangular: **4.**
 - d. SMACNA Leakage Class for Round: **2.**
- F. Intermediate Reinforcement:
1. Galvanized-Steel Ducts: **Galvanized steel.**
 2. Stainless-Steel Ducts:
 - a. Exposed to Airstream: Match duct material.
 - b. Not Exposed to Airstream: **Match duct material.**
 3. **Aluminum Ducts: Aluminum.**
- G. Duct Liner Restrictions:
1. **Duct liner exposed to air movement shall not be used in supply air ducts serving the following rooms: Operating rooms, trauma rooms, LDR rooms, NICU nurseries, ICU nurseries, positive pressure isolation rooms, cath labs, bone marrow, triage rooms, angiogram rooms, fluoroscopy rooms, linear accelerators, decontamination areas and any invasive procedure rooms where the duct insulation could be a source of contamination.**
 2. **Duct Liner exposed to air movement shall not be used on medium pressure ductwork (2000 to 4000 FPM velocity). See section 230713 "Duct Insulation" for insulation requirements.**

3. **Duct Liner exposed to air movement shall not be used on high pressure ductwork (Greater than 4000 FPM velocity). See section 230713 "Duct Insulation" for insulation requirements.**
4. **All duct liner shall meet all of the requirements found in 2018 IECC**

H. Liner: (Ductwork located in Unconditioned space)

1. Low Pressure Supply Air Ducts (Less than 2000 FPM velocity): **Fibrous glass, Type I, 1-1/2 inch** thick with a minimum R value of 6.0 for ducts in unconditioned spaces.
2. Supply Air Ducts: **Fibrous glass, Type I, 1 inch** thick for ducts in conditioned spaces.
3. Return Air Ducts: **Fibrous glass, Type I, 1-1/2 inch** thick with a minimum R value of 6.0 for ducts in unconditioned spaces.
4. Return Air Ducts: **Fibrous glass, Type I, 1 inch** thick for ducts in conditioned spaces.
5. Exhaust Air Ducts: **Fibrous glass, Type I, 1 inch** thick.
6. Supply Fan Plenums: **Fibrous glass, Type I, 1-1/2 inch** thick with a minimum R value of 6.0.
7. Return- and Exhaust-Fan Plenums: **Fibrous glass, Type II, 1-1/2 inch** thick with a minimum R value of 6.0.
8. Transfer Ducts: **Fibrous glass, Type I, 1 inch** thick.

I. Liner: (Ductwork located Interior to building Insulated Envelope)

1. Low Pressure Supply Air Ducts (Less than 2000 FPM velocity): **Fibrous glass, Type I, 1 inch** thick with a minimum R value of 4.0 for ducts in unconditioned spaces.
2. Supply Air Ducts: **Fibrous glass, Type I, 1 inch** thick for ducts in conditioned spaces.
3. Return Air Ducts: **Fibrous glass, Type I, 1 inch** thick with a minimum R value of 4.0 for ducts in unconditioned spaces.
4. Return Air Ducts: **Fibrous glass, Type I, 1 inch** thick for ducts in conditioned spaces.
5. Exhaust Air Ducts: **Fibrous glass, Type I, 1 inch** thick.
6. Supply Fan Plenums: **Fibrous glass, Type I, 1 inch** thick with a minimum R value of 4.0.
7. Return- and Exhaust-Fan Plenums: **Fibrous glass, Type II, 1 inch** thick with a minimum R value of 4.0.

8. Transfer Ducts: **Fibrous glass, Type I, 1 inch** thick.
- J. Double-Wall Duct Interstitial Insulation:
1. Supply Air Ducts: **1-1/2 inch** thick with a minimum R value of 6.0.
 2. Return Air Ducts: **1-1/2 inch** thick with a minimum R value of 6.0.
 3. Exhaust Air Ducts: **1-1/2 inch** thick with a minimum R value of 6.0.
- K. Exterior Ductwork Liner Insulation:
1. Supply Air Ducts: **2 inch** thick with a minimum R value of 8.0.
 2. Return Air Ducts: **2 inch** thick with a minimum R value of 8.0.
 3. Exhaust Air Ducts: **2 inch** thick with a minimum R value of 8.0.
- L. Elbow Configuration:
1. Rectangular Duct: Comply with SMACNA's "HVAC Duct Construction Standards - Metal and Flexible," Figure 4-2, "Rectangular Elbows."
 - a. Radius Type RE 1 with minimum 1.5 radius-to-diameter ratio.
 - b. Radius Type RE 3 with minimum 1.0 radius-to-diameter ratio and two vanes.
 - c. Mitered Type RE 2 with vanes complying with SMACNA's "HVAC Duct Construction Standards - Metal and Flexible," Figure 4-3, "Vanes and Vane Runners," and Figure 4-4, "Vane Support in Elbows."
 2. Round Duct: Comply with SMACNA's "HVAC Duct Construction Standards - Metal and Flexible," Figure 3-4, "Round Duct Elbows."
 - a. Minimum Radius-to-Diameter Ratio and Elbow Segments: Comply with SMACNA's "HVAC Duct Construction Standards - Metal and Flexible," Table 3-1, "Mitered Elbows." Elbows with less than 90-degree change of direction have proportionately fewer segments.
 - 1) Velocity **1000 fpm** or Lower: 1.0 radius-to-diameter ratio and three segments for 90-degree elbow.
 - 2) Velocity **1000 to 1500 fpm**: 1.5 radius-to-diameter ratio and four segments for 90-degree elbow.
 - 3) Velocity **1500 fpm** or Higher: 1.5 radius-to-diameter ratio and five segments for 90-degree elbow.
 - 4) Radius-to Diameter Ratio: 1.5.
 - b. Round Elbows, **12 Inches** and Smaller in Diameter: Stamped or pleated.
 - c. Round Elbows, **14 Inches** and Larger in Diameter: Welded.

M. Branch Configuration:

1. Rectangular Duct: Comply with SMACNA's "HVAC Duct Construction Standards - Metal and Flexible," Figure 4-6, "Branch Connection."
 - a. Rectangular Main to Rectangular Branch: 45-degree entry high efficiency take-off.
 - b. Rectangular Main to Round Branch: 45-degree entry high efficiency take-off.
2. **Round:**
 - a. Comply with SMACNA's "HVAC Duct Construction Standards - Metal and Flexible," Figure 3-5, "90 Degree Tees and Laterals," and Figure 3-6, "Conical Tees." Saddle taps are permitted in existing duct.
 - b. Velocity **1000 to 1500 fpm: 45-degree entry high efficiency tap.**
 - c. Velocity **1500 fpm** or Higher: 45-degree lateral.

END OF SECTION

SECTION 23 33 00 - AIR DUCT ACCESSORIES

PART 1 - GENERAL

1.1 RELATED DOCUMENTS

- A. Drawings and general provisions of the Contract, including General and Supplementary Conditions and Division 01 Specification Sections, apply to this Section.

1.2 SUMMARY

- A. Section Includes:

1. Backdraft dampers.
2. Pressure relief dampers.
3. Barometric relief dampers.
4. Manual volume dampers.
5. Control dampers.
6. Fire dampers.
7. Smoke dampers.
8. Combination fire and smoke dampers.
9. Duct silencers.
10. Turning vanes.
11. Remote damper operators.
12. Duct-mounted access doors.
13. Flexible connectors.
14. Flexible ducts.
15. Duct accessory hardware.
16. High efficiency take-offs.

- B. Related Requirements:

1. Division 23 "Diffusers, Registers and Grilles".
2. Division 28 "Digital, Addressable Fire-Alarm System" for duct-mounted fire and smoke detectors.
3. Division 28 "Zoned (DC-Loop) Fire-Alarm System" for duct-mounted fire and smoke detectors.

1.3 ACTION SUBMITTALS

- A. Product Data: For each type of product.

1. For duct silencers, include pressure drop and dynamic insertion loss data. Include breakout noise calculations for high transmission loss casings.

- B. Shop Drawings: For duct accessories. Include plans, elevations, sections, details and attachments to other work.

1. Detail duct accessories fabrication and installation in ducts and other construction. Include dimensions, weights, loads, and required clearances; and method of field assembly into duct systems and other construction. Include the following:
 - a. Special fittings.
 - b. Manual volume damper installations.
 - c. Control-damper installations.
 - d. Fire-damper, smoke-damper, combination fire- and smoke-damper, pressure relief-damper, ceiling, and corridor damper installations, including sleeves; and duct-mounted access doors and remote damper operators.
 - e. Wiring Diagrams: For power, signal, and control wiring.

1.4 INFORMATIONAL SUBMITTALS

- A. Coordination Drawings: Reflected ceiling plans, drawn to scale, on which ceiling-mounted access panels and access doors required for access to duct accessories are shown and coordinated with each other, using input from Installers of the items involved.
- B. Source quality-control reports.

1.5 CLOSEOUT SUBMITTALS

- A. Operation and Maintenance Data: For air duct accessories to include in operation and maintenance manuals.

1.6 MAINTENANCE MATERIAL SUBMITTALS

- A. Furnish extra materials that match products installed and that are packaged with protective covering for storage and identified with labels describing contents.
 1. Fusible Links: Furnish quantity equal to **10** percent of amount installed.

PART 2 - PRODUCTS

2.1 ASSEMBLY DESCRIPTION

- A. Comply with NFPA 90A, "Installation of Air Conditioning and Ventilating Systems," and with NFPA 90B, "Installation of Warm Air Heating and Air Conditioning Systems."
- B. Comply with SMACNA's "HVAC Duct Construction Standards - Metal and Flexible" for acceptable materials, material thicknesses, and duct construction methods unless otherwise indicated. Sheet metal materials shall be free of pitting, seam marks, roller marks, stains, discolorations, and other imperfections.

2.2 MATERIALS

- A. Galvanized Sheet Steel: Comply with ASTM A 653.
 - 1. **Galvanized Coating Designation: G60.**
 - 2. Exposed-Surface Finish: Mill phosphatized.
- B. Aluminum Sheets: Comply with **ASTM B 209**, Alloy 3003, Temper H14; with mill finish for concealed ducts and standard, 1-side bright finish for exposed ducts.
- C. Extruded Aluminum: Comply with **ASTM B 221**, Alloy 6063, Temper T6.
- D. Reinforcement Shapes and Plates: Galvanized-steel reinforcement where installed on galvanized sheet metal ducts; compatible materials for aluminum and stainless-steel ducts.
- E. Tie Rods: Galvanized steel, **1/4-inch** minimum diameter for lengths **36 inches** or less; **3/8-inch** minimum diameter for lengths longer than **36 inches**.

2.3 BACKDRAFT DAMPERS

- A. Manufacturers: Subject to compliance with requirements, provide products by one of the following:
 - 1. American Warming and Ventilating; a division of Mestek, Inc.
 - 2. Greenheck Fan Corporation.
 - 3. Nailor Industries Inc.
 - 4. Pottorff.
 - 5. Ruskin Company.
 - 6. United Enertech
- B. Function:
 - 1. Designed to allow airflow in one direction and prevent reverse airflow.
 - 2. Keeps outside air out of the space by sensing and closing against mass flow.
- C. Description:
 - 1. Gravity balanced.
- D. Maximum Air Velocity:
 - 1. **1000 fpm**
- E. Maximum System Pressure:
 - 1. **3-inch wg.**
 - 2. **4-inch wg.**
- F. Frame: Hat-shaped, with welded corners or mechanically attached and mounting flange:
 - 1. **16GA 0.063-inch- thick extruded aluminum.**
- G. Blades: Multiple single-piece blades, maximum **6-inch** width noncombustible, tear-resistant, neoprene-coated fiberglass with sealed edges:
 - 1. **Center pivoted: 16GA 0.050-inch- thick aluminum sheet.**

- H. Blade Action: Parallel.
- I. Blade Seals: Mechanically locked.
 - 1. **Neoprene.**
- J. Blade Axles: **0.20 inch** diameter:
 - 1. **Material: Nonferrous metal.**
- K. Tie Bars and Brackets:
 - 1. **Aluminum .**
- L. Return Spring: Adjustable tension.
- M. Bearings:
 - 1. **Synthetic pivot bushings.**
- N. Accessories.
 - 1. Adjustment device to permit setting for varying differential static pressure.
 - 2. Counterweights and spring-assist kits for vertical airflow installations.
 - 3. Screen Mounting: Front mounted in sleeve.
 - a. Sleeve Thickness: **20 gage** minimum.
 - b. Sleeve Length: **6 inches** minimum.
 - 4. Screen Mounting: Rear mounted.
 - 5. Screen Material:
 - a. **Aluminum.**
 - 6. Screen Type:
 - a. **Bird**
 - 7. 90-degree stops.

2.4 PRESSURE RELIEF DAMPERS

- A. Manufacturers: Subject to compliance with requirements, provide products by one of the following:
 - 1. American Warming and Ventilating; a division of Mestek, Inc.
 - 2. Greenheck Fan Corporation.
 - 3. Nailor Industries Inc.
 - 4. Pottorff.
 - 5. Ruskin Company.
- B. Function:
 - 1. Provide component designed to protect HVAC systems by relieving air pressure from within a space that is beyond a pre-determined limit.
 - 2. To automatically begin to open at a pre-set pressure difference above maximum system pressure.
 - 3. Internally self-controlled with system pressure utilizing adjustable arms and weights.
 - 4. Self-actuated with system pressure utilizing adjustable arms and weights.

5. Employs blade counterbalancing.
 6. Automatically closes and re-sets when pressures return to normal conditions.
- C. Air Velocity:
1. **3900 fpm.**
- D. Maximum System Pressure (MSP):
1. **5-inch wg.**
 2. **4-inch wg.**
- E. Differential Pressure Preset above MSP:
1. **1-inch wg.**
- F. Maximum Damper Pressure Limit:
1. **5.0-inch wg.**
- G. Frame Material: Flanged Channel:
1. **14GA 0.079-inch- thick galvanized steel.**
- H. Frame Depth: **8-inch-** minimum.
- I. Blades:
1. Material:
 - a. **16GA 0.063-inch- formed galvanized steel.**
 2. Type:
 - a. **Formed Sheetmetal.**
 3. Blade-stop:
 - a. **With stop.**
- J. Blade Action: Parallel.
- K. Blade Seals:
1. **Thermo Plastic Elastomer.**
- L. Blade Axles:
1. Material:
 - a. **Plated steel.**
 2. **Diameter: 0.375 inch.**
- M. Linkage:
1. **External heavy duty type with galvanized steel clevis arms and plated steel tie bars & pivot pins with nylon pivot bearings.**
- N. Bearings:
1. **Galvanized Steel ball.**
- 2.5 BAROMETRIC RELIEF DAMPERS
- A. Manufacturers: Subject to compliance with requirements, provide products by one of the following:

1. American Warming and Ventilating; a division of Mestek, Inc.
 2. Greenheck Fan Corporation.
 3. Nailor Industries Inc.
 4. Pottorff.
 5. Ruskin Company.
- B. Function:
1. Senses and compares outdoor ambient and indoor pressures.
 2. Allows any higher pressure indoor air to escape.
- C. Description: Suitable for horizontal or vertical mounting.
- D. Maximum Air Velocity:
1. **1000 fpm**
- E. Maximum System Pressure:
1. **3-inch wg** .
- F. Frame: Hat-shaped, with welded corners or mechanically attached and mounting flange.
1. **13GA 0.094-inch- thick, galvanized sheet steel.**
- G. Blades: Multiple:
1. **16GA 0.050-inch- thick aluminum sheet.**
 2. Maximum Width: **6 inches.**
 3. Action: Parallel.
 4. Balance: Gravity.
 5. Pivot:
 - a. **Eccentric.**
- H. Blade Seals:
1. **Neoprene**
- I. Blade Axles:
1. **Galvanized steel** .
- J. Tie Bars and Brackets: Rattle free with 90-degree stop.
1. Material:
 - a. **Galvanized steel.**
- K. Return Spring: Adjustable tension.
- L. Bearings:
1. **Synthetic**
- 2.6 MANUAL VOLUME DAMPERS
- A. Standard, Steel, Manual Volume Dampers:
1. Manufacturers: Subject to compliance with requirements, provide products by one of the following:

- a. American Warming and Ventilating; a division of Mestek, Inc.
 - b. McGill AirFlow LLC.
 - c. Nailor Industries Inc.
 - d. Pottorff.
 - e. Ruskin Company.
 - f. United Enertech
2. Standard leakage rating , **with linkage outside airstream** .
 3. Suitable for horizontal or vertical applications.
 4. Frames: Hat-shaped, Mitered and welded corners. Flanges for attaching to walls and flangeless frames for installing in ducts.
 - a. **16GA 0.064-inch thick, galvanized sheet steel.**
 5. Blades:
 - a. Multiple or single blade. Parallel- or opposed-blade design. Stiffened damper blades for stability.
 - b. Material:
 - 1) **Galvanized -steel, 16GA 0.064 inch thick.**
 6. Blade Axles:
 - a. **Nonferrous metal**
 - b. Shall extend full length of damper blades in ducts with pressure classes of **3-inch wg** or more.
 7. Bearings:
 - a. Material:
 - 1) **Molded synthetic.**
 - b. Bearings at both ends of damper operating shafts in ducts with pressure classes of **3-inch wg** or more.
 8. Tie Bars and Brackets: Galvanized steel.
- B. Low-Leakage, Steel, Manual Volume Dampers:
1. Manufacturers: Subject to compliance with requirements, provide products by one of the following:
 - a. American Warming and Ventilating; a division of Mestek, Inc.
 - b. McGill AirFlow LLC.
 - c. Nailor Industries Inc.
 - d. Pottorff.
 - e. Ruskin Company.
 - f. United Enertech
 2. Comply with AMCA 500-D testing for damper rating.
 3. Low-leakage rating , **with linkage outside airstream**, and bearing AMCA's Certified Ratings Seal for both air performance and air leakage.
 4. Suitable for horizontal or vertical applications.
 5. Frames:
 - a. Frame: Hat-shaped,

- 1) **16GA 0.064-inch** thick, galvanized sheet steel.
 - b. Mitered and welded corners.
 - c. Flanges for attaching to walls and flangeless frames for installing in ducts.
 - 6. Blades:
 - a. Multiple or single blade.
 - b. Parallel- or opposed-blade design.
 - c. Stiffen damper blades for stability.
 - d. Material:
 - 1) **Galvanized, roll-formed steel, 16GA 0.064 inch thick.**
 - 7. Blade Axles:
 - a. **Nonferrous metal.**
 - 8. Bearings:
 - a. **Molded synthetic.**
 - b. Dampers in ducts with pressure classes of **3-inch wg** or more shall have axles full length of damper blades and bearings at both ends of operating shaft.
 - 9. Blade Seals:
 - a. **Neoprene.**
 - 10. Jamb Seals: Cambered **Stainless steel** or **aluminum.**
 - 11. Tie Bars and Brackets: **Galvanized steel** or **aluminum.**
 - 12. Accessories:
 - a. Include locking device to hold single-blade dampers in a fixed position without vibration.
 - C. Jackshaft:
 - 1. Size:
 - a. **1-inch diameter.**
 - 2. Material: Galvanized-steel pipe rotating within pipe-bearing assembly mounted on supports at each mullion and at each end of multiple-damper assemblies.
 - 3. Length and Number of Mountings: As required to connect linkage of each damper in multiple-damper assembly.
 - D. Damper Hardware:
 - 1. Zinc-plated, die-cast core with dial and handle made of **3/32-inch-** thick zinc-plated steel, and a **3/4-inch** hexagon locking nut.
 - 2. Include center hole to suit damper operating-rod size.
 - 3. Include elevated platform for insulated duct mounting.
- 2.7 CONTROL DAMPERS
- A. Manufacturers: Subject to compliance with requirements, provide products by one of the following:

1. Greenheck Fan Corporation.
 2. Pottorff.
 3. Ruskin Company.
 4. Young Regulator Company.
 5. United Enertech
- B. Low-leakage rating, **with linkage outside airstream**, and bearing AMCA's Certified Ratings Seal for both air performance and air leakage.
- C. Frames:
1. Section:
 - a. **Hat** shaped.
 2. Material:
 - a. **20 GA 0.40-inch- thick galvanized steel** .
 3. Corners:
 - a. **Mitered-and-welded.**
- D. Blades: Multiple.
1. Maximum blade width:
 - a. **6 inches.**
 2. **Opposed -blade design.**
 3. Material:
 - a. **Galvanized-steel.**
 4. Thickness:
 - a. **20 GA 0.40-inch- thick galvanized steel**
 5. Blade Edging: Inflatable seal blade edging, or replaceable rubber seals.
 - a. **Closed-cell neoprene**
- E. Blade Axles:
1. Section:
 - a. **3/8-inch-square**
 2. Material:
 - a. **Galvanized steel.**
 3. Blade-linkage hardware:
 - a. Zinc-plated steel and brass.
 - b. Ends sealed against blade bearings:
 4. Operating Temperature Range: From **minus 40 to plus 200 deg F.**
- F. Bearings:
1. Type:
 - a. **Molded synthetic.**
 2. Axles: Dampers in ducts with pressure classes of **3-inch wg** or more shall have axles full length of damper blades.
 3. Bearings: Thrust bearings at each end of every blade. Bearings at both ends of each operating shaft.

2.8 FIRE DAMPERS

- A. Manufacturers: Subject to compliance with requirements, provide products by one of the following:
1. Arrow United Industries; a division of Mestek, Inc.
 2. Greenheck Fan Corporation.
 3. Nailor Industries Inc.
 4. Pottorff.
 5. Ruskin Company.
 6. United Enertech
- B. Type:
1. **Dynamic.**
- C. Standard: Rated and labeled according to UL 555 by an NRTL.
- D. Closing rating in ducts up to **4-inch wg** static pressure class and minimum **2000-fpm** velocity.
- E. Fire Rating:
1. **1-1/2 hours.**
- F. Frame:
1. **Curtain type with blades outside airstream.**
 2. Material:
 - a. Fabricated with roll-formed galvanized steel; with mitered and interlocking corners.
 - b. Thickness:
 - 1) **20GA-0.040-inch-.**
- G. Mounting Sleeve: Factory- or field-installed, galvanized sheet steel. Length to suit application.
1. Minimum Thickness:
 - a. **18GA-0.05 inch, as indicated.**
 2. Exception: Omit sleeve where damper-frame width permits direct attachment of perimeter mounting angles on each side of wall or floor; thickness of damper frame must comply with sleeve requirements.
- H. Mounting Orientation: Vertical or horizontal as indicated.
- I. Blades: Roll-formed, interlocking, galvanized sheet steel.
1. Thickness:
 - a. **24GA-0.024-inch-**
 2. In place of interlocking blades, use full-length, **0.034-inch-** thick, galvanized-steel blade connectors.
- J. Horizontal Dampers: Include blade lock and Type 301 constant force stainless-steel closure spring.
- K. **Heat-Responsive Device:** Replaceable, **212 deg F** rated, fusible links.

2.9 SMOKE DAMPERS

- A. Manufacturers: Subject to compliance with requirements, provide products by one of the following:
1. Greenheck Fan Corporation.
 2. Nailor Industries Inc.
 3. Pottorff.
 4. Ruskin Company.
 5. United Enertech
- B. General Requirements: Label according to UL 555S by an NRTL.
- C. Smoke Detector: Integral, factory wired for single-point connection.
1. Type: Photoelectric.
- D. Frame: Galvanized sheet steel. With or without mounting flange as required.
1. Thickness:
 - a. **Hat-shaped, 16GA-0.064-inch.**
 2. Corners:
 - a. **Welded.**
- E. Blades: Horizontal, galvanized sheet steel.
1. Section:
 - a. **Roll-formed.**
 2. Fit:
 - a. **Interlocking.**
 3. Thickness:
 - a. **14GA-0.079-inch.**
- F. Leakage:
 1. **Class II.**
- G. Seals:
1. Blade: Inflatable silicone fiberglass material to maintain smoke leakage rating to a minimum of **450 deg F**.
- H. Rated pressure and velocity to exceed design airflow conditions.
- I. Mounting Sleeve: Factory-installed, galvanized sheet steel; length to suit wall or floor application with factory-furnished silicone caulking.
1. Minimum **17-inches** long.
 2. Thickness:
 - a. **0.05-inch.**
- J. Damper Motors:
1. Action:
 - a. **Two-position**
 2. Mode: Fail close.
 3. Mounting: External.

- K. Comply with NEMA designation, temperature rating, service factor, enclosure type, and efficiency requirements for motors specified in Section 230513 "Common Motor Requirements for HVAC Equipment."
 - 1. Electrical Connection: **115 V, single phase, 60 Hz** .

- L. Accessories:

- 1. Auxiliary switches for signaling:
 - a. **Position indication.**
- 2. Test Switch type:
 - a. **Momentary test switch.**
- 3. Test Switch Mounting:
 - a. **Damper.**

2.10 COMBINATION FIRE AND SMOKE DAMPERS

- A. Manufacturers: Subject to compliance with requirements, provide products by one of the following:

- 1. Greenheck Fan Corporation.
- 2. Nailor Industries Inc.
- 3. Pottorff.
- 4. Ruskin Company.
- 5. United Enertech

- B. Type: Dynamic; rated and labeled according to UL 555 and UL 555S by an NRTL.

- C. Closing rating in ducts up to **4-inch wg** static pressure class and minimum velocity of:
 - 1. **4000-fpm**

- D. Fire Rating:
 - 1. **1-1/2 hours.**

- E. Frame: Hat shaped, galvanized sheet steel. With or without mounting flange as required.

- 1. Thickness:
 - a. **16GA-0.064-inch**
- 2. Corners:
 - a. **Welded.**

- F. **Heat-Responsive Device:** Replaceable, **212 deg F** rated, fusible links.

- G. Blades: Horizontal, galvanized sheet steel.

- 1. Type:
 - a. **Air-foil.**
- 2. Fit:,
 - a. **Interlocking.**
- 3. Thickness:
 - a. **0.063-inch-.**

- H. Leakage:

1. Class I.

- I. Rated pressure and velocity to exceed design airflow conditions.
- J. Mounting Sleeve: Factory-installed, galvanized sheet steel; length to suit wall or floor application with factory-furnished silicone caulking.
 - 1. Thickness:
 - a. **18GA 0.05-inch.**
- K. Master control panel for use in dynamic smoke-management systems.
- L. Damper Motors:
 - 1. Locate outside air stream unless otherwise indicated,
 - 2. Action:
 - a. **Two-position.**
 - 3. Voltage: to match fire alarm system (coordinate).
 - 4. Listed: UL, as part of damper assembly.
 - 5. Outdoor Motors and Motors in Outside-Air Intakes:
 - a. Gaskets: O-ring gaskets designed to make motors weatherproof.
 - b. Internal heaters: Equip to permit normal operation at minus **40 deg F**.
- M. Comply with NEMA designation, temperature rating, service factor, enclosure type, and efficiency requirements for motors specified in Section 230513 "Common Motor Requirements for HVAC Equipment."
 - 1. Electrical Connection: 115 V, single phase, 60 Hz.
- N. Accessories:
 - 1. Auxiliary switches:
 - a. **Signaling.**
 - b. **Position indication.**
 - 2. Test Switch type:
 - a. **Momentary test switch.**
 - 3. Test Switch Mounting:
 - a. **Damper.**

2.11 TURNING VANES

- A. Manufacturers: Subject to compliance with requirements, provide products by one of the following:
 - 1. METALAIRE, Inc.
 - 2. SEMCO Incorporated.
 - 3. Ward Industries, Inc.; a division of Hart & Cooley, Inc.
 - 4. Ductmate Industries, Inc.
 - 5. Duro Dyne Inc.
 - 6. Elgen Manufacturing.

- B. Manufactured Turning Vanes for Metal Ducts: Curved blades of galvanized sheet steel; support with bars perpendicular to blades set; set into vane runners suitable for duct mounting.
 - 1. Fabricate single blade vanes to comply with SMACNA's "HVAC Duct Construction Standards-Metal and Flexible."
 - 2. Acoustic Turning Vanes: Fabricate airfoil-shaped aluminum extrusions with perforated faces and fibrous-glass fill.
- C. Manufactured Turning Vanes for Nonmetal Ducts: Fabricate curved blades of resin-bonded fiberglass with acrylic polymer coating; support with bars perpendicular to blades set; set into vane runners suitable for duct mounting.
- D. General Requirements: Comply with SMACNA's "HVAC Duct Construction Standards - Metal and Flexible"; Figures 4-3, "Vanes and Vane Runners," and 4-4, "Vane Support in Elbows."
- E. Vane Construction:
 - 1. **Single** wall
- F. Vane Spacing:
 - 1. 1-1/2" spacing between turning vanes
 - 2. 3-1/4" spacing not allowed.
- G. Vane Construction: Single wall for ducts up to 36 **inches** wide and additional bracing for larger dimensions.

2.12 REMOTE DAMPER OPERATORS

- A. Manufacturers: Subject to compliance with requirements, provide products by one of the following:
 - 1. Pottorff.
 - 2. Ruskin Company; Tomkins PLC.
 - 3. Young Regulator Company.
 - 4. Metropolitan Air Technologies.
 - 5. Ventfabrics, Inc.
 - 6. Zipset; The Zip Group, LLC.
- B. Cable Type:
 - 1. Description: Cable system designed for remote manual damper adjustment.
 - 2. Tubing/Sheathing: Galvinsed, Brass, Copper or Aluminum.
 - 3. Cable: Stainless steel or Steel.
 - 4. Wall-Box Mounting: Coordinate with Architect.
 - 5. Wall-Box Cover-Plate Material: Coordinate with Architect.
- C. Activated Electric Type:
 - 1. Description: Electrically activated zone control damper for remote adjustment. When an adjustment is needed the system is powered up.
 - 2. Means: Factory mounted actuator factory wired to damper.

3. Portable **9 volt** system. No field power requirement.
4. Mounting: Recessed Wall Box or Diffuser or Hand Held.
5. Wall-Box Cover Finish: Coordinate with Architect.
6. Wall-Box Porting: 1 to 6 ports or more.

2.13 DUCT-MOUNTED ACCESS DOORS

- A. Manufacturers: Subject to compliance with requirements, provide products by one of the following:

1. Greenheck Fan Corporation.
2. McGill AirFlow LLC.
3. Pottorff.
4. Ward Industries, Inc.; a division of Hart & Cooley, Inc.
5. Ruskin Company
6. American Warming and Ventilating; a division of Mestek, Inc.
7. Cesco Products; a division of Mestek, Inc.
8. Ductmate Industries, Inc.
9. Elgen Manufacturing.
10. Flexmaster U.S.A., Inc.
11. Nailor Industries Inc.
12. Ventfabrics, Inc.

- B. Duct-Mounted Access Doors: Fabricate access panels according to SMACNA's "HVAC Duct Construction Standards - Metal and Flexible"; Figures **7-2**, "Duct Access Doors and Panels," and 7-3, "Access Doors - Round Duct."

1. Door:
 - a. Double wall, rectangular.
 - b. Galvanized sheet metal with insulation fill and thickness as indicated for duct pressure class.
 - c. Vision panel.
 - d. Hinges and Latches: **1-by-1-inch** butt or piano hinge and cam latches.
 - e. Fabricate doors airtight and suitable for duct pressure class.
2. Frame: Galvanized sheet steel, with bend-over tabs and foam gaskets.
3. Number of Hinges and Locks:
 - a. Access Doors Less Than **12 Inches** Square: No hinges and two sash locks.
 - b. Access Doors up to **18 Inches** Square:
 - 1) Hinges:
 - a) **Two hinges and two sash locks.**
 - c. Access Doors up to **24 by 48 Inches**, provide outside and inside handles:
 - 1) Hinges:
 - a) **Three hinges and two compression latches.**
 - d. Access Doors Larger Than **24 by 48 Inches**, provide outside and inside handles:
 - 1) Hinges:

a) Continuous and two compression latches with outside and inside handles.

2.14 FLEXIBLE CONNECTORS

- A. Manufacturers: Subject to compliance with requirements, provide products by one of the following:
1. Ductmate Industries, Inc.
 2. Ventfabrics, Inc.
 3. Ward Industries, Inc.; a division of Hart & Cooley, Inc.
 4. Duro Dyne Inc.
 5. Elgen Manufacturing.
- B. Materials: Flame-retardant or noncombustible fabrics.
- C. Coatings and Adhesives: Comply with UL 181, Class 1.
- D. Metal-Edged Connectors: Factory fabricated with a wide fabric strip attached to two narrower metal strips. Provide strips of metal compatible with connected ducts.
1. Wide Strip:
 - a. **3-1/2 inches.**
 2. Narrow Strips:
 - a. **0.028-inch- thick, galvanized sheet steel.**
- E. Indoor System, Flexible Connector Fabric: Glass fabric double coated with neoprene.
1. Minimum Weight: **26 oz./sq. yd..**
 2. **Tensile Strength: 530 lbf/inch** in the warp and **440 lbf/inch** in the filling.
 3. Service Temperature: **Minus 40 to plus 200 deg F.**
- F. Outdoor System, Flexible Connector Fabric: Glass fabric double coated with weatherproof, synthetic rubber resistant to UV rays and ozone.
1. Minimum Weight: **24 oz./sq. yd..**
 2. Tensile Strength: **530 lbf/inch** in the warp and **440 lbf/inch** in the filling.
 3. Service Temperature: **Minus 50 to plus 250 deg F.**

2.15 FLEXIBLE DUCTS

- A. Manufacturers: Subject to compliance with requirements, provide products by one of the following:
1. Flexmaster U.S.A., Inc.
 2. McGill AirFlow LLC.
 3. Themaflex
 4. Ward Industries, Inc.; a division of Hart & Cooley, Inc.
- B. Ducts shall conform to the requirements for Class I connectors when tested in

accordance with "Standard for Factory Made Air Ducts Materials and Air Duct Connectors" (UL 181).

- C. Ducts shall also pass the 15 minute U.L. flame penetration test as specified in the UL 181 Standard.
- D. Insulated, Flexible Duct: Two-ply vinyl film supported by helically wound, spring-steel wire; fibrous-glass insulation; polyethylene or aluminized vapor-barrier film.
 - 1. Pressure Rating: **10-inch wg** positive and **1.0-inch wg** negative.
 - 2. Maximum Air Velocity: **4000 fpm**.
 - 3. Temperature Range: **Minus 10 to plus 160 deg F**.
 - 4. Insulation R-value: **Comply with ASHRAE/IESNA 90.1**.
- E. Flexible Duct Connectors:
 - 1. **Clamps:** in sizes **3 through 18 inches**, to suit duct size.
 - a. **Material:** Stainless-steel band with cadmium-plated hex screw to tighten band with a worm-gear action.

2.16 DUCT ACCESSORY HARDWARE

- A. Instrument Test Holes: Cast iron or cast aluminum to suit duct material, including screw cap and gasket. Size to allow insertion of pitot tube and other testing instruments and of length to suit duct-insulation thickness.
- B. Adhesives: High strength, quick setting, neoprene based, waterproof, and resistant to gasoline and grease.
- C. Splitter Damper Accessories: Zinc-plated damper blade bracket; **1/4-inch**, zinc-plated operating rod; and a duct-mounted, ball-joint bracket with flat rubber gasket and square-head set screw.
- D. Flexible Duct Clamps: Stainless-steel band with cadmium-plated hex screw to tighten band with a worm-gear action, in sizes **3 to 18 inches** to suit duct size.

2.22 HIGH EFFICIENCY TAKE-OFFS

A.Manufacturers: Subject to compliance with requirements, provide products by one of the following.

- 1. Air-Rite
- 2. Hercules Industries
- 3. Sheet Metal Connectors, Inc.
- 4. Spiral Manufacturing Co. Inc.
- 5. Ferguson

B. Materials:

1. 24 gauge galvanized sheet metal meeting ASTM A653 and A924
- C. Take-off shall meet SMACNA third edition Section 4.8 figure 4.6 - 45 degree entry.
- D. Rectangular opening with flanged sides on all sides. Complete with closed cell neoprene gasket to provide a tight seal.

PART 3 - EXECUTION

3.1 INSTALLATION

General

- A. Install duct accessories according to applicable details in SMACNA's "HVAC Duct Construction Standards - Metal and Flexible" for metal ducts and in NAIMA AH116, "Fibrous Glass Duct Construction Standards," for fibrous-glass ducts.
- B. Install duct accessories of materials suited to duct materials; use galvanized-steel accessories in galvanized-steel and fibrous-glass ducts, stainless-steel accessories in stainless-steel ducts, and aluminum accessories in aluminum ducts.
- C. Use the Remote Damper Operator when they are called out on the drawings or when the damper cannot be easily accessed.
- D. Install high efficiency take-off on all branch duct take-offs. Provide take-off with balancing damper as shown on drawings. Spin-in fittings are not allowed.

Flexible Ducts / Flexible Duct Connectors

- E. Install flexible connectors to connect ducts to equipment.
- F. Flexible duct connections from the main trunk ducts to diffuser boots shall be furnished and installed as shown on the drawings. Flexible ductwork shall only be used as indicated on the drawings.
- G. Where flexible duct is indicated, use insulated flexible duct for supply air return and exhaust air.
- H. Flexible ductwork shall be run in straight lengths.
- I. Provide support in flexible duct every three feet.
- J. Flexible ducts shall have compression fittings on both ends.
- K. Flexible ductwork is not allowed to bend 90 degrees. If a bend is needed use sheet-metal hard elbows. Hard turns, offsets, or kinks will not be allowed.
- L. Flexible ducts shall connect to trunk duct with high efficiency takeoffs.

- M. Connect flexible ducts to metal ducts with **draw bands**.
- N. Connect terminal units to supply ducts:
 - 1. **With maximum 12-inch lengths of flexible duct.**
- O. Do not use flexible ducts to change directions.
- P. Connect diffusers or light troffer boots to ducts:
 - 1. **With maximum 60-inch** lengths of flexible duct clamped or strapped in place.

Backdraft/Control/Pressure Relief Dampers

- Q. **Install backdraft dampers at inlet of exhaust fans or exhaust ducts as close as possible to exhaust fan unless otherwise indicated.**
- R. Install pressure relief damper immediately upstream of main fire damper.

Volume Damper

- S. Install volume dampers at points on supply, return, and exhaust systems where branches extend from larger ducts. Where dampers are installed in ducts having duct liner, install dampers with hat channels of same depth as liner, and terminate liner with nosing at hat channel.
 - 1. Install steel volume dampers in steel ducts.
 - 2. Install aluminum volume dampers in aluminum ducts.
- T. Set dampers to fully open position before testing, adjusting, and balancing. Exception: Pressure relief damper.
- U. A balance damper with locking quadrant will be provided downstream of take-off from trunk duct.

Fans And Test Holes

- V. For fans developing static pressures of **5-inch wg** and more, cover flexible connectors with loaded vinyl sheet held in place with metal straps.
- W. Install thrust limits at centerline of thrust, symmetrical on both sides of equipment. Attach thrust limits at centerline of thrust and adjust to a maximum of **1/4-inch** movement during start and stop of fans.
- X. Install duct test holes where required for testing and balancing purposes.
- Y. Install test holes at fan inlets and outlets and elsewhere as indicated.

FIRE, SMOKE AND FIRE-SMOKE DAMPERS

- Z. Install fire **and smoke** dampers according to UL listing.
 - 1. Install fusible links in fire dampers.

- AA. For round ductwork **24-inch** and smaller a true round fire damper with the same rating may be used.

Access Doors

- BB. Install duct access doors on sides of ducts to allow for inspecting, adjusting, and maintaining accessories and equipment at the following locations:

1. On upstream side of duct coils.
2. **Upstream** from duct filters.
3. At outdoor-air intakes and mixed-air plenums.
4. At drain pans and seals.
5. Downstream from manual volume dampers, control dampers, backdraft dampers, and equipment.
6. Adjacent to and close enough to fire or smoke dampers, to reset or reinstall fusible links. Access doors for access to fire or smoke dampers having fusible links shall be **standard access doors** and shall be outward operation for access doors installed upstream from dampers and inward operation for access doors installed downstream from dampers.
7. At each change in direction and at maximum **50-foot** spacing.
8. **Upstream** from turning vanes.
9. Upstream or downstream from duct silencers.
10. Control devices requiring inspection.
11. Elsewhere as indicated.

- CC. Install access doors with swing against duct static pressure.

- DD. Access Door Sizes:

1. One-Hand or Inspection Access: **8 by 5 inches.**
2. Two-Hand Access: **12 by 6 inches.**
3. Head and Hand Access: **18 by 10 inches.**
4. Head and Shoulders Access: **21 by 14 inches.**
5. Body Access: **25 by 14 inches.**
6. Body plus Ladder Access: **25 by 17 inches.**

- EE. Label access doors according to Section 230553 "Identification for HVAC Piping and Equipment" to indicate the purpose of access door.

3.2 FIELD QUALITY CONTROL

- A. Tests and Inspections:

1. Operate dampers to verify full range of movement.
2. Inspect locations of access doors and verify that purpose of access door can be performed.
3. Operate fire, smoke, and combination fire and smoke dampers to verify full range of movement and verify that proper heat-response device is installed.
4. Inspect turning vanes for proper and secure installation.

5. Operate remote damper operators to verify full range of movement of operator and damper.

3.3 ADJUSTING

- A. Adjust duct accessories for proper settings.
- B. Adjust fire and smoke dampers for proper action.
- C. Final positioning of manual-volume dampers is specified in Division 23 Section "Testing, Adjusting, and Balancing for HVAC."

END OF SECTION

THIS PAGE INTENTIONALLY LEFT BLANK

SECTION 23 34 23 - HVAC POWER VENTILATORS

PART 1 - GENERAL

1.1 RELATED DOCUMENTS

- A. Drawings and general provisions of the Contract, including General and Supplementary Conditions and Division 01 Specification Sections, apply to this Section.

1.2 SUMMARY

- A. Section Includes:
 - 1. Centrifugal roof ventilators.

1.3 PERFORMANCE REQUIREMENTS

- A. Project Altitude: Base fan-performance ratings on:
 - 1. Actual Project site elevations.
- B. Operating Limits: Classify according to AMCA 99.
- C. Fan Schedule: Fan characteristics and performance data are described in an equipment schedule on the drawings including:
 - 1. Fan arrangement with wheel configuration, inlet and discharge configurations, and required accessories.
 - 2. Capacities, outlet velocities, static pressures, sound power characteristics, motor requirements, and electrical characteristics.

1.4 ACTION SUBMITTALS

- A. Product Data: For each type of product indicated. Include rated capacities, shipping weights, operating weights, operating characteristics, and furnished specialties and accessories. Also include the following:
 - 1. Certified fan performance curves with system operating conditions indicated.
 - 2. Certified fan sound-power ratings.
 - 3. Motor ratings and electrical characteristics, plus motor and electrical accessories.
 - 4. Material thickness and finishes, including color charts.
 - 5. Dampers, including housings, linkages, and operators.
 - 6. Roof curbs.
 - 7. Fan speed controllers.
- B. Shop Drawings: Include plans, elevations, sections, details, and attachments to other work.

1. Detail equipment assemblies and indicate dimensions, weights, loads, required clearances, method of field assembly, components, and location and size of each field connection.
2. Wiring Diagrams: For power, signal, and control wiring.
 - a. Detail all wiring systems and differentiate clearly between manufacturer-installed and field-installed wiring.

1.5 INFORMATIONAL SUBMITTALS

- A. Coordination Drawings: Reflected ceiling plans and other details, drawn to scale, on which the following items are shown and coordinated with each other, using input from Installers of the items involved:
 1. Roof framing and support members relative to duct penetrations.
 2. Ceiling suspension assembly members.
 3. Size and location of initial access modules for acoustical tile.
 4. Ceiling-mounted items including light fixtures, diffusers, grilles, speakers, sprinklers, access panels, and special moldings.
- B. Field quality-control Reports

1.6 CLOSEOUT SUBMITTALS

- A. Operation and Maintenance Data: For power ventilators to include in emergency, operation, and maintenance manuals.

1.7 MATERIALS MAINTENANCE SUBMITTALS

- A. Furnish extra materials that match products installed and that are packaged with protective covering for storage and identified with labels describing contents.
 1. Belts: One set for each belt-driven unit.

1.8 QUALITY ASSURANCE

- A. Electrical Components, Devices, and Accessories: Listed and labeled as defined in NFPA 70, by a qualified testing agency, and marked for intended location and application.
- B. AMCA Compliance: Fans shall have AMCA-Certified performance ratings and shall bear the AMCA-Certified Ratings Seal.
- C. NEMA Compliance: Power ventilator electrical components shall comply with applicable NEMA standards.
- D. UL Standards: Power ventilators shall comply with UL 705. Power ventilators for use for restaurant kitchen exhaust shall also comply with UL 762.

- E. TUV Certified: High Volume low speed fan shall comply with UL 507

1.9 COORDINATION

- A. Coordinate size and location of structural-steel support members.
- B. Coordinate sizes and locations of concrete bases with actual equipment provided.
- C. Coordinate sizes and locations of roof curbs, equipment supports, and roof penetrations with actual equipment provided.

PART 2 - PRODUCTS

2.1 PRODUCTS FURNISHED BUT NOT INSTALLED

- A. Products furnished, but not installed, under this Section include roof curbs for roof-mounted exhaust fans. Roof curbs to be installed by Division 07, section "Roof Accessories".

2.2 CENTRIFUGAL ROOF VENTILATORS

- A. Manufacturers: Subject to compliance with requirements, provide products by one of the following:
 - 1. Greenheck Fan Corporation.
 - 2. Loren Cook Company.
- B. Housing: Removable: Square, one-piece, aluminum base with venture inlet cone.
 - 1. **Spun-aluminum, dome top and outlet baffle.**
 - 2. **Upblast Units:** Provide spun-aluminum discharge baffle to direct discharge air upward, with rain and snow drains.
 - 3. **Hinged Subbase:** Galvanized-steel hinged arrangement permitting service and maintenance.
- C. Fan Wheels:
 - 1. Aluminum hub and wheel with backward-inclined blades.
- D. Direct-Drive Units: Motor mounted outside of airstream within fan housing.
- E. Electronically Commutated Motor (ECM)
 - 1. Motor enclosures: Open type
 - 2. Motor to be a DC electronic commutation type motor (ECM).
 - a. AC induction type motors are not acceptable.
 - 3. Permanently lubricated motor with heavy duty ball bearing
 - 4. Internal motor circuitry to convert AC power supplied to the fan to DC power to operate the motor.
 - 5. Speed controllable to 20% of full speed (80% turndown).
 - a. Potentiometer dial mounted at the motor speed controller

- b. 0-10 VDC signal.
- 6. 85% efficient at all speeds minimum.

F. Accessories:

- 1. Variable-Speed Controller: Solid-state control to reduce speed from 100 to less than 50 percent.
- 2. Disconnect Switch: Nonfusible type:
 - a. Thermal-overload protection; factory wired through an internal aluminum conduit.
 - 1) **Mounted inside fan housing.**
- 3. Bird Screens: Removable, **1/2-inch** mesh:
 - a. **Aluminum wire.**
- 4. Dampers:
 - a. **Counterbalanced, parallel-blade**, backdraft dampers mounted in curb base; factory set to close when fan stops.
 - b. **Motorized parallel-blade** dampers mounted in curb base with electric actuator; wired to close when fan stops.

G. Roof Curbs: Galvanized steel; mitered and welded corners; **1-1/2-inch** thick, rigid, fiberglass insulation adhered to inside walls; and **1-1/2-inch** wood nailer. Size as required to suit roof opening and fan base. Provide neoprene gasket between fan base and curb to reduce sound transmission.

- 1. Configuration:
 - a. **Self-flashing without a cant strip, with mounting flange.**
- 2. Overall Height:
 - a. **14 inches.**

2.3 MOTORS

A. Comply with NEMA designation, temperature rating, service factor, enclosure type, and efficiency requirements for motors specified in Section 230513 "Common Motor Requirements for HVAC Equipment."

- 1. Motor Sizes: Minimum size as indicated. If not indicated, large enough so driven load will not require motor to operate in service factor range above 1.0.
- 2. Controllers, Electrical Devices, and Wiring: Comply with requirements for electrical devices and connections specified in Division 26 Sections.

B. Enclosure Type: Totally enclosed;

- 1. **Fan cooled**

2.4 FACTORY FINISH

A. Metal Parts: All assembly parts shall be protected from rust and corrosion.

- 1. Stainless steel, aluminum, and other non-corroding materials require no protective finish.

2. Non-galvanized sheet metal parts shall be prime coated or powder coated before final assembly.
3. Prime coated parts shall receive baked enamel finish coat after assembly.

2.5 SOURCE QUALITY CONTROL

- A. Certify sound-power level ratings according to AMCA 301, "Methods for Calculating Fan Sound Ratings from Laboratory Test Data." Factory test fans according to AMCA 300, "Reverberant Room Method for Sound Testing of Fans." Label fans with the AMCA-Certified Ratings Seal.
- B. Certify fan performance ratings, including flow rate, pressure, power, air density, speed of rotation, and efficiency by factory tests according to AMCA 210, "Laboratory Methods of Testing Fans for Aerodynamic Performance Rating." Label fans with the AMCA-Certified Ratings Seal.

PART 3 - EXECUTION

3.1 EXAMINATION

- A. Examine areas and conditions for compliance with requirements of installation tolerances and other conditions affecting performance of the power ventilators. Do not proceed with installation until unsatisfactory conditions have been corrected.

3.2 PROJECT CONDITIONS

- A. Field Measurements: Verify dimensions by field measurements. Verify clearances.
- B. Do not operate fans until ductwork is clean, filters are in place, bearings are lubricated, and fans have been commissioned.

3.3 INSTALLATION

- A. Install power ventilators level and plumb according to manufacturer's written instructions.
- B. Base Mounted Equipment:
 1. Install power ventilators on cast-in-place concrete equipment base(s). Comply with requirements for equipment bases and foundations specified in:
 - a. **Division 33 "Cast-in-Place Concrete."**
- C. Secure roof-mounted fans to roof curbs with cadmium-plated hardware. See Section 077200 "Roof Accessories" for installation of roof curbs.
- D. **Support Steel:** Support suspended units from structure using threaded steel as specified in Division 23 "Vibration and Seismic Controls for HVAC."

- E. Label units according to requirements specified in Division 23 "Identification for HVAC Piping and Equipment."
- F. Install power ventilators with factory recommended and code required clearances for service and maintenance.

3.4 CONNECTIONS

- A. Duct installation and connection requirements are specified in other Division 23 Sections. Drawings indicate general arrangement of ducts and duct accessories. Make final duct connections with flexible connectors. Flexible connectors are specified in Section 233300 "Air Duct Accessories."
- B. Install ducts adjacent to power ventilators to allow service and maintenance.
- C. Ground equipment according to Division 26 "Grounding and Bonding for Electrical Systems."
 - 1. Tighten electrical connectors and terminals, including grounding connections, according to manufacturer's published torque-tightening values. Where manufacturer's torque values are not indicated, use those specified in UL 486A and UL 486B.
- D. Connect wiring according to Division 26 "Low-Voltage Electrical Power Conductors and Cables."
 - 1. Tighten electrical connectors and terminals, including grounding connections, according to manufacturer's published torque-tightening values. Where manufacturer's torque values are not indicated, use those specified in UL 486A and UL 486B.

3.5 FIELD QUALITY CONTROL

- A. Perform tests and inspections.
 - 1. Manufacturer's Field Service: Engage a factory-authorized service representative to inspect components, assemblies, and equipment installations, including connections, and to assist in testing.

3.6 ADJUSTING

- A. Adjust damper linkages for proper damper operation.
- B. Adjust belt tension.
- C. Comply with requirements in Division 23 "Testing, Adjusting, and Balancing for HVAC" for testing, adjusting, and balancing procedures.
- D. Replace fan and motor pulleys as required to achieve design airflow.
- E. Lubricate bearings.

3.7 CLEANING

- A. After completing installation, inspect exposed finish. Remove burrs, dirt, and construction debris, and repair damaged finishes including chips, scratches, and abrasions.
- B. Clean fan interiors to remove foreign material and construction debris. Vacuum clean fan wheel and cabinet.

3.8 DEMONSTRATION

- A. Train Owner's maintenance personnel on procedures and schedules related to startup and shutdown, troubleshooting, servicing, and preventive maintenance.
- B. Review data in the operation and maintenance manuals. Refer to Division 1 Section "Contract Closeout."
- C. Schedule training with Owner, through Architect, with at least 7 days' advance notice.
- D. Demonstrate operation of power ventilators. Conduct walking tour of the Project. Briefly identify location and describe function, operation, and maintenance of each power ventilator.

END OF SECTION

THIS PAGE INTENTIONALLY BLANK

SECTION 23 36 00 - AIR TERMINAL UNITS

PART 1 - GENERAL

1.1 RELATED DOCUMENTS

- A. Drawings and general provisions of the Contract, including General and Supplementary Conditions and Division 01 Specification Sections, apply to this Section.

1.2 SUMMARY

- A. Section Includes:
 - 1. Shutoff, single-duct air terminal units.

1.3 ACTION SUBMITTALS

- A. Product Data: For each type of the following products, including rated capacities, furnished specialties, sound-power ratings, and accessories.
 - 1. Air terminal units.
 - 2. Liners and adhesives.
 - 3. Sealants and gaskets.
 - 4. Seismic-restraint devices.
- B. Shop Drawings: For air terminal units. Include plans, elevations, sections, details, and attachments to other work.
 - 1. Detail equipment assemblies and indicate dimensions, weights, loads, required clearances, method of field assembly, components, and location and size of each field connection.
 - 2. Wiring Diagrams:
 - a. For power, signal, and control wiring.
 - b. Differentiate between manufacturer-installed and field-installed wiring.
 - 3. **Hangers and supports**, including methods for duct and building attachment and vibration isolation.
- C. Delegated-Design Submittal:
 - 1. Materials, fabrication, assembly, and spacing of hangers and supports.
 - 2. **Design Calculations:** Calculations, **including analysis data signed and sealed by the qualified professional engineer responsible for their preparation** for selecting hangers and supports.

1.4 INFORMATIONAL SUBMITTALS

- A. Coordination Drawings: Reflected ceiling plans, drawn to scale, on which the following items are shown and coordinated with each other, using input from Installers of the items involved:
 - 1. Ceiling suspension assembly members.
 - 2. Size and location of initial access modules for acoustic tile.
 - 3. Ceiling-mounted items including lighting fixtures, diffusers, grilles, speakers, sprinklers, access panels, and special moldings.
- B. Field quality-control reports.

1.5 PERFORMANCE REQUIREMENTS

- A. Seismic Performance: Air terminal units shall withstand the effects of earthquake motions determined according to **SEI/ASCE 7**.
 - 1. The term "withstand" means "the unit will remain in place without separation of any parts from the device when subjected to the seismic forces specified."

1.6 CLOSEOUT SUBMITTALS

- A. Operation and Maintenance Data: For air terminal units to include in emergency, operation, and maintenance manuals. In addition to items specified in Section 017823 "Operation and Maintenance Data," include the following:
 - 1. Instructions for resetting minimum and maximum air volumes.
 - 2. Instructions for adjusting software set points.

1.7 MAINTENANCE MATERIAL SUBMITTALS

- A. Furnish extra materials that match products installed and that are packaged with protective covering for storage and identified with labels describing contents.
 - 1. Fan-Powered-Unit Filters: Furnish **one** spare filter for each filter installed.

1.8 QUALITY ASSURANCE

- A. ASHRAE Compliance: Applicable requirements in ASHRAE 62.1, Section 5 - "Systems and Equipment" and Section 7 - "Construction and System Start-Up."
- B. Product Options: Drawings and schedules indicate requirements of air terminals and are based on specific systems indicated. Other manufacturers' systems with equal performance characteristics may be considered. Refer to Division 1 Section "Substitutions."
- C. Listing and Labeling: Provide electrically operated air terminals specified in this Section that are listed and labeled.

1. The Terms "Listed" and "Labeled": As defined in NFPA 70, Article 100.
- D. NFPA Compliance: Install air terminals according to NFPA 90A, "Standard for the Installation of Air Conditioning and Ventilating Systems."
- E. Comply with NFPA 70 for electrical components and installation.

PART 2 - PRODUCTS

2.1 PERFORMANCE REQUIREMENTS

- A. **Structural Performance:** Hangers and supports shall withstand the effects of gravity loads and stresses within limits and under conditions described in SMACNA's "HVAC Duct Construction Standards - Metal and Flexible".

2.2 SYSTEM DESCRIPTION

- A. Electrical Components, Devices, and Accessories: Listed and labeled as defined in NFPA 70, by a qualified testing agency, and marked for intended location and application.

2.3 SHUTOFF, SINGLE-DUCT AIR TERMINAL UNITS

- A. Manufacturers: Subject to compliance with requirements, provide products by one of the following:
 1. Krueger.
 2. Price Industries.
 3. Titus.
- B. Configuration: Volume-damper assembly inside unit casing with control components inside a protective metal shroud.
- C. **Casing: 0.034-inch steel, single wall.**
 1. **Casing Lining:** Adhesive attached, **coated, fibrous-glass duct liner** complying with ASTM C 1071, and having a maximum flame-spread index of 25 and a maximum smoke-developed index of 50, for both insulation and adhesive, when tested according to ASTM E 84.
 - a. Lining thickness:
 - 1) **1/2-inch-**
 - b. Cover liner with nonporous foil.
 2. Air Inlet: Round stub connection or S-slip and drive connections for duct attachment.
 3. Air Outlet: S-slip and drive connections.
 4. Air Outlet: S-slip and drive connections **size matching inlet size**.
 5. Access: Removable panels for access to parts requiring service, adjustment, or maintenance; with airtight gasket.
 6. Access Door: Access door upstream of the reheat coil.

7. Airstream Surfaces: Surfaces in contact with the airstream shall comply with requirements in ASHRAE 62.1.
 - D. Volume Damper: Galvanized steel with peripheral gasket and self-lubricating bearings.
 1. Maximum Damper Leakage:
 - a. ARI 880 rated, **3** percent of nominal airflow at **3-inch wg** inlet static pressure.
 2. Damper Position:
 - a. Normally **open**.
 - E. Hydronic Coils: Copper tube, with mechanically bonded aluminum fins spaced no closer than **0.1 inch**, and rated for a minimum working pressure of **200 psig** and a maximum entering-water temperature of **220 deg F**. Include manual air vent and drain valve.
 - L. Direct Digital Controls: Bidirectional damper operators and microprocessor-based controller and room sensor. Control devices shall be compatible with temperature controls specified in Section 230900 "Instrumentation and Control for HVAC" and shall have the following features:
 1. **Damper Actuator: 24 V, powered closed, spring return open.**
 2. Terminal Unit Controller: Pressure-independent, variable-air-volume controller with electronic airflow transducer with multipoint velocity sensor at air inlet, factory calibrated to minimum and maximum air volumes, and having the following features:
 - a. Occupied and unoccupied operating mode.
 - b. Remote reset of airflow or temperature set points.
 - c. Adjusting and monitoring with portable terminal.
 - d. Communication with temperature-control system specified in Section 230900 "Instrumentation and Control for HVAC."
 3. Room Sensor: Wall mounted with temperature set-point adjustment and access for connection of portable operator terminal.
 - F. Control Sequence:
 1. Suitable for operation with duct pressures between **0.25- and 3.0-inch wg** inlet static pressure.
 2. System-powered, wall-mounted thermostat.
- 2.4 HANGERS AND SUPPORTS
- A. Hanger Rods for Noncorrosive Environments: Cadmium-plated steel rods and nuts.
 - B. Hanger Rods for Corrosive Environments: Electrogalvanized, all-thread rods or galvanized rods with threads painted with zinc-chromate primer after installation.
 - C. **Steel Cables: Galvanized steel complying with ASTM A 603.**

- D. Steel Cable End Connections: Cadmium-plated steel assemblies with brackets, swivel, and bolts designed for duct hanger service; with an automatic-locking and clamping device.
- E. Air Terminal Unit Attachments: Sheet metal screws, blind rivets, or self-tapping metal screws; compatible with duct materials.
- F. Trapeze and Riser Supports: Steel shapes and plates for units with steel casings; aluminum for units with aluminum casings.

2.5 SOURCE QUALITY CONTROL

- A. Factory Tests: Test assembled air terminal units according to ARI 880.
 - 1. Label each air terminal unit with plan number, nominal airflow, maximum and minimum factory-set airflows, and ARI certification seal.

PART 3 - EXECUTION

3.1 INSTALLATION

- A. Install air terminal units according to NFPA 90A, "Standard for the Installation of Air Conditioning and Ventilating Systems."
- B. Install air terminal units level and plumb. Maintain sufficient clearance for normal service and maintenance.
- C. Install wall-mounted thermostats.
- D. Install discharge air temperature sensors at the outlet of each Air Terminal Unit.
- E. Connect ductwork to air terminals according to Division 23 ductwork Sections.
- F. Comply with SEI/ASCE 7 and with requirements for seismic-restraint devices in Section 230548 "Vibration and Seismic Controls for HVAC."
- G. For Diffuser Type Air Terminal Units, provide and install all necessary control wiring and control voltage transformer. See drawings AND schedules for additional information.

3.2 HANGER AND SUPPORT INSTALLATION

- A. Comply with SMACNA's "HVAC Duct Construction Standards - Metal and Flexible," Chapter 5, "Hangers and Supports."
- B. Building Attachments: Concrete inserts, powder-actuated fasteners, or structural-steel fasteners appropriate for construction materials to which hangers are being attached.
 - 1. Where practical, install concrete inserts before placing concrete.

2. Install powder-actuated concrete fasteners after concrete is placed and completely cured.
 3. Use powder-actuated concrete fasteners for standard-weight aggregate concretes and for slabs more than **4 inches** thick.
 4. Do not use powder-actuated concrete fasteners for lightweight-aggregate concretes and for slabs less than **4 inches** thick.
 5. Do not use powder-actuated concrete fasteners for seismic restraints.
- C. Hangers Exposed to View: Threaded rod and angle or channel supports.
- D. Install upper attachments to structures. Select and size upper attachments with pull-out, tension, and shear capacities appropriate for supported loads and building materials where used.

3.3 CONNECTIONS

- A. Install piping adjacent to air terminal unit to allow service and maintenance.
- B. Hot-Water Piping: In addition to requirements in Section 232113 "Hydronic Piping" and Section 232116 Hydronic Piping Specialties," connect heating coils to supply with shutoff valve, strainer, control valve, and union or flange; and to return with balancing valve and union or flange.
- C. Connect ducts to air terminal units according to **Section 233113 "Metal Ducts.**
- D. Electrically ground all equipment:
1. Tighten electrical connectors and terminals according to manufacturer's published torque-tightening values. Where manufacturer's torque values are not indicated, use those specified in UL 486A and UL 486B.

3.4 IDENTIFICATION

- A. Label each air terminal unit with plan number, nominal airflow, and maximum and minimum factory-set airflows. Comply with requirements in Section 230553 "Identification for HVAC Piping and Equipment" for equipment labels and warning signs and labels.

3.5 FIELD QUALITY CONTROL

- A. **Testing Agency: Owner will engage** a qualified testing agency to perform tests and inspections.
- B. Manufacturer's Field Service: Engage a factory-authorized service representative to inspect, test, and adjust components, assemblies, and equipment installations, including connections.
- C. Perform tests and inspections.

1. Manufacturer's Field Service: Engage a factory-authorized service representative to inspect components, assemblies, and equipment installations, including connections, and to assist in testing.

D. Tests and Inspections:

1. After installing air terminal units and after electrical circuitry has been energized, test for compliance with requirements.
2. Leak Test: After installation, fill water coils and test for leaks. Repair leaks and retest until no leaks exist.
3. Operational Test: After electrical circuitry has been energized, start units to confirm proper motor rotation and unit operation.
4. Test and adjust controls and safeties. Replace damaged and malfunctioning controls and equipment.

E. Air terminal unit will be considered defective if it does not pass tests and inspections.

F. Prepare test and inspection reports.

G. Cleaning:

1. After completing system installation, including outlet fittings and devices, inspect exposed finish. Remove burrs, dirt, and construction debris, and repair damaged finishes.

3.6 STARTUP SERVICE

A. **Engage a factory-authorized service representative to perform** startup service.

1. Complete installation and startup checks according to:
 - a. Manufacturer's written instructions.
 - b. Construction documents.
2. Verify that inlet duct connections are as recommended by air terminal unit manufacturer to achieve proper performance.
3. Verify that controls and control enclosure are accessible.
4. Verify that control connections are complete.
5. Verify that nameplate and identification tag are visible.
6. Verify that controls respond to inputs as specified.

3.7 DEMONSTRATION

A. **Engage a factory-authorized service representative to train** Owner's maintenance personnel to adjust, operate, and maintain air terminal units:

1. Train Owner's maintenance personnel on procedures and schedules related to startup and shutdown, troubleshooting, servicing, and preventive maintenance.
2. Review data in the maintenance manuals. Refer to Division 1 Section "Contract Closeout."
3. Review data in the maintenance manuals. Refer to Division 1 Section "Operation and Maintenance Data."

4. Schedule training with Owner, through Architect, with at least 7 days' advance notice.

END OF SECTION

SECTION 23 37 00 - HEAT EXCHANGERS

PART 1 - GENERAL

1.1 RELATED DOCUMENTS

- A. Drawings and general provisions of the Contract, including General and Supplementary Conditions and Division 1 Specification Sections, apply to this Section.

1.2 SUMMARY

- A. This Section includes shell-and-tube heat exchangers for HVAC and plumbing applications.

1.3 SUBMITTALS

- A. Product Data: Include rated capacities; shipping, installed, and operating weights; furnished specialties; and accessories for each type of product indicated. Indicate dimensions, weights, loads, required clearances, method of field assembly, components, and location and size of each field connection.
- B. Maintenance Data: For heat exchangers to include in maintenance manuals specified in Division 1.

1.4 QUALITY ASSURANCE

- A. Product Options: Drawings indicate size, profiles, performance, and dimensional requirements of heat exchangers and are based on the specific equipment indicated. Other manufacturers' products with equal performance characteristics may be considered. Refer to Division 1 Section "Substitutions."
- B. ASME Compliance: Fabricate and label heat exchangers to comply with ASME Boiler and Pressure Vessel Code: Section VIII, "Pressure Vessels," Division 1.

PART 2 - PRODUCTS

2.1 MANUFACTURERS

- A. Manufacturers: Subject to compliance with requirements, provide products by one of the following:
 - 1. Shell-and-Tube Heat Exchangers:
 - a. Armstrong Fluid Handling; Div. of Armstrong International, Inc.

- b. ITT Fluid Handling; Div. of ITT Fluid Technology Corp.
- c. Patterson-Kelley Co.; Div. of Harsco Corp.
- d. Taco, Inc.
- e. Wessels

2.2 SHELL-AND-TUBE HEAT EXCHANGERS

- A. Configuration: Multi-pass, U-tube.
- B. Shell and Head Materials: Steel shell and cast-iron head or fabricated-steel head.
- C. Tube and Tube Sheet Materials: Seamless, 20 ga. 3/4-inch OD copper tubes with steel tube sheets.

PART 3 - EXECUTION

3.1 EXAMINATION

- A. Examine areas for compliance with requirements for installation tolerances and for structural rigidity, strength, anchors, and other conditions affecting performance of heat exchangers.
- B. Proceed with installation only after unsatisfactory conditions have been corrected.

3.2 HEAT EXCHANGER INSTALLATION

- A. Install heat exchangers according to manufacturer's written instructions.
- B. Install shell-and-tube heat exchangers on saddle supports with provisions to drain shell.

3.3 CONNECTIONS

- A. Piping installation requirements are specified in other Division 23 Sections. Drawings indicate general arrangement of piping, fittings, and specialties.
- B. Maintain manufacturer's recommended clearances for service and maintenance. Install piping connections to allow service and maintenance of heat exchangers.
- C. Install piping with threaded or flanged connections at heat exchangers.
- D. Install shutoff valves at heat exchanger inlet and outlet connections.
- E. Install relief valves on heat exchanger heated-fluid connection.
- F. Install vacuum breaker at heat exchanger steam inlet connection.

3.4 CLEANING

- A. After completing system installation, including outlet fitting and devices, inspect exposed finish. Remove burrs, dirt, and construction debris and repair damaged finishes.

3.5 COMMISSIONING

- A. Verify that heat exchangers are installed and connected according to the Contract Documents.
- B. Adjust flows and controls to deliver specified performance.
- C. Test and adjust controls and safeties. Replace damaged and malfunctioning controls and equipment.

3.6 DEMONSTRATION

- A. Engage a factory-authorized service representative to train Owner's maintenance personnel to adjust, operate, and maintain heat exchangers as specified below:
 - 1. Train Owner's maintenance personnel on procedures and schedules for starting and stopping, troubleshooting, servicing, and maintaining heat exchangers.
 - 2. Review data in maintenance manuals. Refer to Division 1 Section "Contract Closeout."
 - 3. Schedule training with Owner, through Architect, with at least seven days' advance notice.

3.7 SHELL & TUBE HEAT EXCHANGER:

- A. Shell & Tube Heat Exchanger shall be steam to water, of the size, type, and capacity shown on the drawings. Shell & Tube Heat Exchanger shall be 3/4-inch copper tubing and U-bend construction, steel shell, cast-iron tube plates, and cast-iron heads.
- B. Complete unit shall be ASME rated for 150-psi working pressure and 375-degree F operating temperature. The heating surface computation shall include a "fouling" factor minimum of 0.0005 on both water side or inside and steam side. Water shall flow through the tube with steam in the shell.
- C. Converter connections shall include but not be limited to flanged supply and return connections, flanged steam connection, flanged condensate return connection, 1-inch drain connection, 1/2-inch vent coupling, safety valve connection, vacuum breaker 3/4-inch globe valve, and hose bib adapter for drain.
- D. Combined temperature and pressure-relief valve shall be fully automatic, all bronze, and ASME tested and rated. Valve shall be stamped to operate at 200 degrees F and 125 psig. A full-size escape pipe with suitable outlet to nearest floor drain shall be provided for hot water converter.

- E. Structural steel support stand shall be by Mechanical Contractor and shall elevate centerline of converter to approximately 5 feet 0 inches above the floor. Flanges shall be eight-hole drilled.

END OF SECTION

SECTION 23 37 13 - DIFFUSERS, REGISTERS, AND GRILLES

PART 1 - GENERAL

1.1 RELATED DOCUMENTS

- A. Drawings and general provisions of the Contract, including General and Supplementary Conditions and Division 01 Specification Sections, apply to this Section.

1.2 SUMMARY

- A. This section includes ceiling- and wall-mounted diffusers, registers, and grilles.
- B. Related Sections:
 - 1. Section 233714 "Fixed Louvers" for fixed and louvers and wall vents, whether or not they are connected to ducts.
 - 2. Section 233300 "Air Duct Accessories" for fire and smoke dampers and volume-control dampers not integral to diffusers, registers, and grilles.
 - 3. Section 230594 "General Testing, Adjusting and Balancing" for balancing diffusers, registers, and grilles.

1.3 ACTION SUBMITTALS

- A. Product Data: For each type of product indicated, include the following:
 - 1. Data Sheet: Indicate materials of construction, finish, and mounting details; and performance data including throw and drop, static-pressure drop, and noise ratings.
 - 2. Diffuser, Register, and Grille Schedule: Indicate drawing designation, room location, quantity, model number, size, and accessories furnished.

1.4 INFORMATIONAL SUBMITTALS

- A. Coordination Drawings: Reflected ceiling plans, drawn to scale, on which the following items are shown and coordinated with each other, using input from Installers of the items involved:
 - 1. Ceiling suspension assembly members.
 - 2. Method of attaching hangers to building structure.
 - 3. Size and location of initial access modules for acoustical tile.
 - 4. Ceiling-mounted items including lighting fixtures, diffusers, grilles, speakers, sprinklers, access panels, and special moldings.
 - 5. Duct access panels.
- B. Source quality-control reports.

1.5 QUALITY ASSURANCE

- A. Product Options: Drawings and schedules indicate specific requirements of diffusers, registers, and grilles and are based on the specific requirements of the systems indicated.
- B. NFPA Compliance: Install diffusers, registers, and grilles according to NFPA 90A, "Standard for the Installation of Air-Conditioning and Ventilating Systems."

PART 2 - PRODUCTS

2.1 MANUFACTURERS

- A. Manufacturers: Subject to compliance with requirements, provide products by one of the following:
 - 1. Air Factors
 - 2. Carnes.
 - 3. Kruegar.
 - 4. METALAIRE, Inc.
 - 5. Nailor Industries Inc.
 - 6. Price Industries.
 - 7. Titus.
 - 8. Tuttle & Bailey.
 - 9. Air Concepts.
 - 10. Trox.

2.2 REGISTERS, GRILLES, & DIFFUSERS

- A. General: The frames for all registers, grilles, and diffusers shall match type of ceiling where they are to be installed. Special frames shall be provided for narrow T-bar ceilings. Refer to reflected ceiling plan and other specification divisions for ceiling type. See drawings AND schedules for additional information.

2.3 SOURCE QUALITY CONTROL

- A. Verification of Performance: Rate diffusers, registers, and grilles according to ASHRAE 70, "Method of Testing for Rating the Performance of Air Outlets and Inlets."

PART 3 - EXECUTION

3.1 EXAMINATION

- A. Examine areas where diffusers, registers, and grilles are to be installed for compliance with requirements for installation tolerances and other conditions affecting performance of equipment.
- B. Proceed with installation only after unsatisfactory conditions have been corrected.

3.2 INSTALLATION

- A. Install diffusers, registers, and grilles level and plumb, according to manufacturer's written instructions, coordination drawings, original design, and referenced standards.
- B. Ceiling-Mounted Outlets and Inlets: Drawings indicate general arrangement of ducts, fittings, and accessories. Air outlet and inlet locations have been indicated to achieve design requirements for air volume, noise criteria, airflow pattern, throw, and pressure drop. Make final locations where indicated, as much as practical. For units installed in lay-in ceiling panels, locate units in the center of panel. Where architectural features or other items conflict with installation, notify Architect for a determination of final location.
- C. Install diffusers, registers, and grilles with airtight connections to ducts and to allow service and maintenance of dampers, air extractors, and fire dampers.

3.3 ADJUSTING

- A. After installation, adjust diffusers, registers, and grilles to air patterns indicated, or as directed, before starting air balancing.

3.4 CLEANING

- A. After installation of diffusers, registers, and grilles, inspect exposed finish. Clean exposed surfaces to remove burrs, dirt, and smudges. Replace diffusers, registers, and grilles that have damaged finishes.

END OF SECTION

THIS PAGE INTENTIONALLY LEFT BLANK

SECTION 23 73 26 - CUSTOM HOSPITAL AIR-HANDLING UNITS

PART 1 - GENERAL

1.1 RELATED DOCUMENTS

- A. Drawings and general provisions of the Contract, including General and Supplementary Conditions and Division 01 Specification Sections, apply to this Section.

1.2 SUMMARY

- A. Section Includes:
 - 1. Custom outdoor air-handling units.

1.3 PERFORMANCE REQUIREMENTS

- A. Structural Performance: For the project's largest air handler, submit design calculations, signed by the manufacturer, to certify compliance with the Cabinet and Casing design requirements. See Part 2 of this Specification.
- B. Air Leakage Performance: For the project's largest air handler that can be shipped to the job site as a single unit, factory Leak Test results signed by the manufacturer, to certify compliance with the Cabinet and Casing design requirements. See Part 2 of the Specification.
- C. Sound Power Levels: Submit sound power level data (discharge opening, inlet opening and radiated through casing) for each air handling unit. The submittal shall include complete description of methods and procedures used to develop the sound power data.
- D. Fan/Motor Assembly Balance and Vibration: All fan/motor assemblies shall be factory tested units at design RPM. Maximum vibration shall be within the limits of ANSI/AMCA 205-05 (R2012) Fan Application Category BV-4; Balance Quality Grade 2.5. A certificate of compliance signed by the manufacturer shall be attached to each fan assembly at the factory and incorporated into the Operation and Maintenance Manuals.
- E. Seismic Performance: Air-handling units shall withstand the effects of earthquake motions determined according to ASCE/SEI 7.
 - 1. The term "withstand" means "the unit will remain in place without separation of any parts from the device when subjected to the seismic forces specified and the unit will be fully operational after the seismic event."

1.4 ACTION SUBMITTALS

- A. Product Data: For each air-handling unit indicated.
1. Unit dimensions and weight.
 2. Cabinet material, metal thickness, finishes, insulation, and accessories.
 3. Fans:
 - a. AMCA 210 Certified fan-performance curves with system operating conditions indicated.
 - b. AMCA 311 Certified fan-sound power ratings.
 - c. Fan construction and accessories.
 - d. Motor ratings, electrical characteristics, and motor accessories.
 4. Certified coil-performance ratings with system operating conditions indicated.
 5. Drain Pan ASHRAE 62.1 factory test certification.
 6. Dampers, including housings, linkages, and operators.
 7. Filters with performance characteristics.
 8. Casing design calculations for project's largest air handling unit.
 9. Factory Air leakage test results for project' largest air handling unit.
 10. Sound power level data for each air handling unit.

1.5 INFORMATIONAL SUBMITTALS

- A. Coordination Drawings: Floor plans and other details, drawn to scale, on which the following items are shown and coordinated with each other, using input from installers of the items involved:
1. Mechanical-room layout and relationships between components and adjacent structural and mechanical elements.
 2. Support location, type, and weight.
 3. Field measurements.
- B. Seismic Qualification Certificates: For air-handling units, accessories, and components, from manufacturer.
1. Basis for Certification: Indicate whether withstand certification is based on:
 - a. Test of assembled components by a nationally recognized testing standard procedure, such as ICC-ES AC 156. The substantiated seismic design capacities shall exceed the seismic demand determined by Section 13.3 of ASCE 7.
 - b. An engineering analysis conforming to the requirements of Chapter 13 of ASCE 7.
 - c. Experience data conforming to a nationally recognized procedure. The substantiated seismic design capacities shall exceed the seismic demands determined by Section 13.3 of ASCE 7.
 2. Dimensioned Outline Drawings of Equipment Unit: Identify center of gravity and locate and describe mounting and anchorage provisions.
 3. Detailed description of equipment anchorage devices on which the certification is based and their installation requirements.

- C. Source quality-control reports.
- D. Field quality-control reports.
- E. Warranty: Sample of special warranty.

1.6 CLOSEOUT SUBMITTALS

- A. Operation and Maintenance Data: For air-handling units to include in emergency, operation, and maintenance manuals.

1.7 MAINTENANCE MATERIAL SUBMITTALS

- A. Furnish additional materials that match products as installed in the delivered air handlers and that are packaged with protective covering for storage and identified with labels describing contents.
 - 1. Filters: One set; for each air-handling unit and to be installed by the Contractor at Substantial Completion.
 - 2. Gaskets: One set for each access door.

1.8 QUALITY ASSURANCE

- A. ETL Labeling: List and label units by ETL. If ETL listing and labeling is not available, UL listing and labeling will be acceptable. No other agency listings or labels can be substituted without detailed submittal, review and acceptance in writing. If any is delivered to the site without such label, the manufacturer shall pay all costs to have ETL or UL field certification accomplished and the labels registered and field applied with a field certification report prepared by either agency
- B. NFPA Compliance: Comply with NFPA 90A for design, fabrication, and installation of air-handling units and components.
- C. ARI Certification: Air-handling unit components shall be factory tested according to ARI 430, "Central-Station Air-Handling Units," and shall be listed and labeled by ARI.
- D. ASHRAE Compliance: Applicable requirements in ASHRAE 62.1, Section 5 - "Systems and Equipment" and Section 7 - "Construction and Startup."
- E. ASHRAE/IESNA 90.1 Compliance: Applicable requirements in ASHRAE/IESNA 90.1, Section 6 - "Heating, Ventilating, and Air-Conditioning."
- F. AMCA 210-99, Laboratory Methods of Testing Fans for Aerodynamic Performance Rating.
- G. AMCA 211-05 Certified Ratings Program – Product Rating Manual for Fan Air Performance.
- H. AMCA 300-96, Reverberant Room Method for Sound Testing of Fans.

- I. AMCA 304-05 Certified Ratings Program – Product Rating Manual for Fan Balance and Vibrations.
- J. AMCA 311-05 Certified Ratings Program - Product Rating Manual for Fan Sound Performance.
- K. Comply with NFPA 70 National Electric Code.
- L. Manufacturers: Provide Air Handling units and major components which are products of Manufacturing Firms regularly engaged in manufacture of equipment with characteristics and capacities as scheduled and whose products have been in satisfactory and similar service for not less than 3-years and must have a minimum of ten (10) working installations that have been in operation for a least 2-years. Manufacturer must have in-house engineering support.

1.9 COORDINATION

- A. Coordinate sizes and locations of concrete bases with actual equipment provided.
- B. Coordinate sizes and locations of structural-steel support members, if any, with actual equipment provided.
- C. Coordinate anchor bolts, concrete base thickness and bolt edge setback required by Section 230248 Vibration Isolation and Seismic Restraint.

1.10 WARRANTY

- A. General Warranty: Special warranty specified in this Article shall not deprive Owner of other rights Owner may have under other provisions of the Contract Documents and shall be in addition to, and run concurrent with, other warranties made by Contractor under requirements of the Contract Documents.

PART 2 - PRODUCTS

2.1 MANUFACTURERS

- A. Manufacturers: Subject to compliance with requirements, provide products by one of the following:
 - 1. Air Handlers
 - a. Energy Labs
 - b. Haakon.
 - c. Huntair.
 - d. Temtrol
 - e. York Custom.
 - 2. Fan Array Assemblies

- a. Climate Craft.
 - b. Huntair.
 - c. Twin City.
3. Control Dampers
- a. Ruskin Model CD50.
 - b. Greenheck Model VCD-43.
 - c. Tamco Series 1000.

2.2 UNIT CASINGS

A. General Fabrication Requirements for Casings:

1. Casings: Double-wall acoustical-thermal panels. Comply with the requirements of the current International Energy Conservation Code (IECC).
2. Casing panels: Self-supporting and capable of withstanding 133 percent of design static pressure as scheduled on the Plans, without panel joints exceeding a deflection of $L/200$ where "L" is the unsupported span length within the completed Casing. For the project's largest air handler, submit design calculations, signed by the manufacturer, to certify compliance with the Cabinet and Casing design requirements.
3. Casing leakage: Not to exceed 1 percent of the design flow rate at 133 percent of the design static pressure as scheduled on the Plans. For the project's largest air handler that can be shipped to the job site as a single unit, submit factory Leak Test results signed by the manufacturer, to certify compliance with the Cabinet and Casing design requirements. If no air handlers can be shipped as single units, the largest air handler shall be factory assembled and factory leak tested prior disassembly and shipment. If lead-time or some other circumstance does not allow for factory leak testing then a field leak test shall be conducted at no additional expense to the project. Submit Field Leak Test results signed by the manufacturer to certify compliance with the Cabinet and Casing design requirements.
4. Sealing: Seal all joints with water-resistant sealant.
5. Finish, to have passed ASTM B 117-90 Salt Spray Resistance Test, minimum 1500 hours; ASTM D 2794-90 Impact Test, 160 pounds; ASTM D 2247-87 Humidity Resistance Test, minimum 1500 hour test with maximum blister 1/16-inch.
6. Airstream Surfaces: Surfaces in contact with the airstream shall comply with requirements in ASHRAE 62.1.

B. Casing Insulation:

1. Materials: ASTM C 1071, Type II.
2. Location and Application: Completely encased between outside and inside casing. A finish bead of caulking will be applied inner liner panel seams to completely encapsulate the insulation.

C. Base Construction:

1. Unit Base: Constructed of structural steel tube or channel shapes framing around the entire perimeter of the unit and provided with intermediate structural tubing or channel shapes as required to support the internal components. All tubing and

channel joints shall be solid welded. Base shall be provided with removable lifting lugs minimum (4) per section, located to assure uniform loading.

2. Unit Base Floor: Constructed with minimum 12 gauge steel floor with continuously welded seams and the manufacturer's standard finish. Floor shall be welded to unit base perimeter and intermediate structural tubing or channel shapes.
 3. Base Floor Insulation: Minimum 2-inches of sprayed polyurethane foam insulation.
 4. Base Floor Openings: Opening in the floor greater than one square foot, including openings with dampers, covered with a removable steel grate, bolted in place. Manufacturer's standard finish for steel floor grates is acceptable. Grates shall be capable of supporting minimum 300 pounds with grate bars spaced to prevent personnel and large objects from fall into duct or space below air handler.
 5. Base Finish, Indoor Units: Manufacturers standard finish is acceptable for indoor air handling units.
- D. Service Corridor:
1. Size and location of Service Corridor as indicated on Plans.
 2. Casing, Base, Roof, Lighting and Doors: Match that of the air handling unit.
 3. Coordinate exterior door locations to not interfere with interior doors, coil piping and electrical.
 4. Chases: Provide pipe and electrical chases with metal cover plates for through-the-base access.
- E. Interior liners: Minimum 20 gauge steel with manufacturer's standard finish, perforated throughout the unit for the walls and roof, except the cooling coil section, the humidifier section and the plenum section immediately downstream of the humidifier shall have solid interior liner.
- F. Inspection and Access Panels and Access Doors:
1. Panel and Door Fabrication: Formed and reinforced double-wall and insulated panels of same materials, thicknesses and finish as the unit casing.
 2. Inspection and Access Panels:
 - a. Fasteners: Two or more camlock type for panel lift-out operation.
 - b. Arrangement: Shall allow panels to be opened against air-pressure differential.
 - c. Gasket: Replaceable, neoprene, bulb-type applied around entire perimeters of panel frames.
 - d. Size: Sufficient to allow inspection and maintenance of air-handling unit's internal components.
 3. Access Doors:
 - a. Hinges: A minimum of two ball-bearing hinges or stainless-steel piano hinge and two wedge-lever-type latches, operable from inside and outside. Arrange doors to be opened against air-pressure differential.
 - b. Gasket: Replaceable, neoprene, bulb-type applied around entire perimeters of panel frames.
 - c. Windows in Doors: Double-glazed, wire-reinforced safety glass with an air space between panes and sealed with interior and exterior neoprene seals.

Minimum window size : 12-inch by 12-inch. Doors with access to moving parts must meet current UL mechanical protection guidelines.

- d. Door Size: Minimum 18 inches wide by full height of unit casing up to a maximum height of 72 inches. In the fan section, the door width must be sufficient for removal and replacement of a fan/motor assembly.

4. Locations and Applications:

- a. Fan Section: Doors with windows.
- b. Access Section: Doors with windows.
- c. Coil Section: Doors with windows.
- d. Damper Section: Doors with windows.
- e. Filter Section: Doors large enough to allow periodic removal and installation of filters.
- f. Mixing Section: Doors with windows.
- g. Humidifier Section: Doors with windows.

G. Lights and Control Wiring

1. Internal Wiring Space: Fabricate air handler to allow minimum 1.5-inch clearance above the entire width of the each interior header-wall (coils, filters, fan septum-wall, etc.). This space is reserved for internal wiring (120-volt or 24-volt) as required by the Controls Contractor.
2. Internal Wiring Conduit: All factory wiring to lights, switches and convenience outlets shall be in conduit and internal to the air handler.
3. Service Lights: Vapor proof, LED A21 Lamp, 14-watt, light fixtures in each accessible section complete with a protective metal cage and sealed enclosure. Wire all lights to a common external junction box with a single illuminate switch, 120-volt GFCI outlet and weatherproof cover.

H. Condensate Drain Pans:

1. Material: Double-wall, 304-stainless steel sheet, solid welds of all joints, seams and corners with space between walls filled with foam insulation.
2. Slope: Minimum one percent slope (1/8" per foot) in at least two planes
3. Location: Under cooling coils (including coil piping connections, coil headers, and return bends) and outside air inlets and humidifiers.
 - a. Length: Extend drain pan H/2 from leaving face in the direction of the air flow, where "H" is the vertical height of the cooling coil, to comply with ASHRAE 62.1 Section 5.
 - b. Depth: Minimum of 2-inch deep.
 - c. Drain pan shall be fully recessed into the air handler floor.
4. Drain Connection: Located at lowest point of pan and sized to prevent overflow. Terminate with threaded nipple on one end of pan. Extend through channel/tube base on same side as coil connections unless noted otherwise on Plans.
 - a. Minimum Connection Size: MNPS 1-1/4.
5. Drain pan shall conform to all applicable requirements in ASHRAE 62.1.
6. Coils shall be easily removable without cutting or removing any portion of the drain pan.

7. Stacked Coils: Provide an intermediate drain pan to collect condensate from upper coils with drain pipe extending to lower pan.
8. Drain Pan Test: Perform drain pan test in compliance with ASHRAE 62.1 paragraph 7.3 (which permits factory or field testing). Provide manufacturer's written certification of Drain Pan testing.

2.3 MULTIPLE FAN ARRAY UNITS

- A. The Multiple Fan Array shall consist of multiple direct-driven Arrangement 4, 12-airfoil blades, non-overloading plenum fans designed and constructed specifically for Multiple Fan Array applications.
- B. Fans: Selected to deliver design air flow at the specified operating Total Static Pressure at the specified motor speed as scheduled in the Plans. The Multiple Fan Array shall be selected to operate at a system Total Static Pressure that does not exceed 90 percent of the specified fan's peak static pressure producing capability at the specified fan speed. Fans shall be AMCA 99-208 Class 2 construction.
- C. Motors: Inverter-duty, Premium-efficiency T-frame motors selected at the voltage, frequency, and rpm as scheduled on the Plans and complying with requirements in Section 230515 Common Motor Requirements for HVAC Equipment.
- D. Dynamic Balance: Comply with AMCA Standard 204-05 (R2012), Fan Application Category BV-4; Balance Quality Grade 2.5. The maximum allowable vibration shall be 0.08 inch per second peak velocity, filter-in as measured at the design fan speed.
 1. Vibration Measurements: Taken on each fan bearing in the horizontal, vertical and axial directions. During balancing, the fan shall be imposed with an operating resistance equal to the design external static pressure.
 2. Certificate of Compliance: Provide a Certificate of Compliance signed by the manufacturer and incorporated into the Operation and Maintenance Manuals.
- E. Motor Shaft Grounding: Factory installed AEGIS Shaft Grounding Ring (SGR) microfiber type. Motor shaft isolation bearings, ceramic bearings and other SGR systems require Prior Approval from the Engineer. All fan motors shall be Lifetime Warranted against bearing failure from EDM pitting.
- F. Motor Bearings: Pre-lubricated and Sealed, Ball Bearings: Self-aligning, pillow-block type with a rated L-10 life of 200,000 hours according to ABMA 9.
- G. Fan/motor assembly Access: Removable through the fan section access door without disassembling the Fan/motor Assembly.
- H. Multiple fan installations must have a minimum of six (6) fans. The individual motor size shall not exceed 7.5 horsepower.
- I. Blank-off Panel: Provide to temporarily isolate a fan that is not functional. Label the Blank-Off Panel and mount in an accessible location in the Fan Section. Fans with zero pressure drop isolation dampers do not require a Blank-off Panel.
- J. Electrical Control Panel:

1. Each Fan/motor Assembly shall be individually wired to an Electrical Control Panel that provides overload protection, short circuit protection and a manual disconnect for each individual fan/motor assembly. Factory wire each Fan/Motor Assembly to an individual Variable Frequency Drive. Wire all circuits to a common main panel terminal block for a single point connection of power to the Air Handling Unit.
2. Code Compliance: Electrical designs, wiring and hardware in accordance with the current NEC, UL 508C and local codes. Electrical Control Panel shall be rated NEMA 1 Indoor.
3. Label and Listing: Control Panel shall be listed and labeled by UL, CSA or ETL. Air Handling Units not listed and labeled at the factory shall be inspected and labeled by a certified UL/CSA/ETL representative in the field at the manufacturer's expense.
4. Location: Mounted on the inside the unit's service enclosure.
5. Auxiliary Contacts: Provide contacts for alarm connections to the Building Management System.
6. Label and number code all wiring and electrical devices in accordance with the unit electrical diagram.
7. Control and Lighting Power: Provide control transformer and lighting transformer wired to a 120-volt terminal block for a single-point 120-volt electrical connection for the air handling unit.

2.4 VARIABLE FREQUENCY DRIVES

- A. Variable Frequency Drives (VFD's) shall be provided by provided by Division 26.

2.5 COIL SECTION

- A. General Requirements for Coil Section:
 1. Comply with ARI 410.
 2. Fabricate coil section to allow removal and replacement of coil for maintenance and to allow in-place access for service and maintenance of coil(s).
 3. Coils shall not act as structural component of unit.
- B. Hot Water, Chilled Water and Glycol Coils
 1. ASHRAE Compliance: Comply with applicable requirements in ASHRAE 62.1, Section 5 "Systems and Equipment" and Section 7 - "Construction and Startup."
 2. Performance Ratings: Tested and rated according to AHRI 410 and ASHRAE 33.
 3. Working-Pressure/Temperature Ratings: Minimum 250 psig, 325 deg F.
 4. Source Quality Control: Factory tested to 400 psig.
 5. Tubes: ASTM B 743 copper, minimum 0.625 inch diameter, minimum 0.035 inch thick. Expanded into fin collars to provide permanent mechanical bond
 6. Return Bends: Brazed replaceable copper, minimum 0.049 inch thick,
 7. Fins: Aluminum, minimum 0.008 inch thick.
 8. Headers: Seamless copper tube with brazed joints, prime coated, with cleaning plugs and drain and air vent tappings. Provide braze or copper male thread connections. Connections shall be on the same end of the coil. Extend vent and drain fitting to exterior of casing. All coils shall be fully drainable with no trapped tube.

9. Frames: Galvanized-steel channel frame, minimum 0.064 inch thick for flanged mounting. Provide intermediate coil casing reinforcement so maximum unsupported coil length is 60-inches. Provide integral stacking flanges on the coil for mounting stacked coils.
10. Connections: Supply and return connections shall be raised/lowered to facilitate piping connections near roof, floor and stacked coils. Coils shall be counter-flow design with connections right/left hand as shown on Plans. Use of internal flow restrictive devices, such as turbulator, springs, ribbons, is not acceptable. Extend coil supply and return piping connections through the cabinet wall and sealed with caulking and escutcheons inside and outside of the casing.

2.8 AIR FILTRATION SECTION

A. General Requirements for Air Filtration Section:

1. UL listed and labeled: UL 900 in accordance with NFPA 90A.
2. Provide minimum efficiency reporting value (MERV) according to ASHRAE 52.2.
3. Filter Section: Fabricated as an integral part of the air handling unit. Filter shall be upstream face loading as indicated on Plans. Face or rear loading shall be in gasketed universal holding frames. The filter rack assemblies shall blanked off to the sides, roof and floor and sealed to minimize filter bypass.
4. Provide filter holding frames arranged for flat or angular orientation, as indicated on Plans, with access doors, as indicated on Plans. Filters shall be lifted out from the access plenum.
5. See Filter Schedule on Plans for filter configuration and maximum filter face velocity.
6. LEED Submittals:
 - a. Product Data for Prerequisite IEQ 1: Documentation indicating that units comply with ASHRAE 62.1, Section 5 - "Systems and Equipment."
 - b. Product Data for Credit IEQ 4.1: For adhesives and sealants, documentation including printed statement of VOC content.
 - c. Laboratory Test Reports for Credit IEQ 4: For adhesives and sealants, documentation indicating that products comply with the testing and product requirements of the California Department of Public Health's "Standard Method for the Testing and Evaluation of Volatile Organic Chemical Emissions from Indoor Sources Using Environmental Chambers."

B. Extended-Surface, Disposable Panel Filters:

1. Pleated disposable type, UL listed Class 2
2. Thickness: 2 inches.
3. MERV (ASHRAE 52.2-2007): 8 or 15. Reference Filter Schedule on drawings
4. Media: Fibrous material formed into deep-V-shaped pleats and held by self-supporting wire grid.
5. Media-Grid Frame: Nonflammable cardboard.
6. Mounting Frames: Welded, galvanized steel, with gaskets and fasteners, suitable for bolting together into built-up filter banks.

C. Filter Gages:

1. Dwyer 2000 Magnehelic gage; in metal case; white face with black figures; front recalibration adjustment.

2. Accuracy: 2 percent of full-scale.
3. Range: 0- to 2.0-inch w.g.
4. Accessories: Static-pressure tips with integral compression fittings, 1/4-inch plastic tubing, and 3-way vent valves.

2.9 DAMPERS

- A. General Requirements for Dampers: Low leak airfoil dampers bearing the AMCA Seal.
- B. Air performance and air leakage: Based on tests and procedures performed in accordance with AMCA Publication 511. Comply with the requirements of the AMCA Certified Rating Program. Damper shall be AMCA Leakage Class 1A, 3.0 cubic feet per minute leakage at 1.0 inch w.g. pressure difference; AMCA Leakage Class 1, 8.0 cubic feet per minute leakage at 4.0 inch w.g. pressure difference through a 48-inch by 48-inch damper. Maximum blade length shall be 48-inches.

2.11 HUMIDIFIERS

- A. Packaged steam injection-type humidifier panel(s) furnished and installed as indicated on the Plans with performance/capacity as scheduled.
- B. Manifold Panels:
 1. Combined steam supply header and steam separator;
 2. Condensate collection header;
 3. Dispersion tubes spanning the distance between the supply and collection headers;
 - a. Dispersion tubes shall be fitted with steam discharge tubelets inserted into the tube wall.
 - b. Tubelets material: Suitable for steam temperatures.
 - c. Tubelets shall contain steam orifices sized to deliver scheduled capacity.
 4. Casing with mounting brackets at ends to contain supply header/separator, collection header and dispersion tubes.
 - a. Sized to fit duct and air handler cases mounted end-to-end or stacked, as indicated on Plans.
 5. Material: ASTM A 666, Type 304 stainless steel.
- C. Humidifier Control Valve: As specified in Section 230900 Building Automation System.
- D. Steam Trap: Inverted-bucket type, sized for a minimum of three times the maximum rated condensate flow of humidifier at 1/2-psig inlet pressure.
- E. Aquastat: For separate mounting on steam condensate, return piping to prevent cold operation of humidifier.
- F. Strainer: In-line type to comply with requirements in Section 23 2216 Steam and Condensate Piping Specialties.

- G. Airflow Switch: To prevent humidifier operation in the absence of airflow.
- H. All piping, tubing and headers:
 - 1. Material: ASTM A 666, Type 304 stainless steel.
 - 2. All welded construction except with minimum number of unions or bolted flange fittings necessary for installation and service.
- I. Manufacturers: Subject to compliance with requirements, provide products by one of the following:
 - 1. Armstrong.
 - 2. DriSteem.
 - 3. Nortec.
 - 4. Pure Steam.
 - 5. Vapac.

2.12 SOURCE QUALITY CONTROL

- A. Fan Sound-Power Level Ratings: Comply with AMCA 301, "Methods for Calculating Fan Sound Ratings from Laboratory Test Data." Test fans according to AMCA 300, "Reverberant Room Method for Sound Testing of Fans." Fans shall bear AMCA-certified sound ratings seal.
- B. Fan Performance Rating: Factory test fan performance for airflow, pressure, power, air density, rotation speed, and efficiency. Rate performance according to AMCA 210, "Laboratory Methods of Testing Fans for Aerodynamic Performance Rating."
- C. Water Coils: Factory tested to 400 psig and to 200 psig underwater according to ARI 410 and ASHRAE 33.

PART 3 - EXECUTION

3.1 EXAMINATION

- A. Examine areas and conditions, with Installer present, for compliance with requirements for installation tolerances and other conditions affecting performance of the Work.
- B. Examine casing insulation materials and filter media before air-handling unit installation. Reject insulation materials and filter media that are wet, moisture damaged, or mold damaged.
- C. Examine roughing-in for steam, hydronic, and condensate drainage piping systems and electrical services to verify actual locations of connections before installation.
- D. Proceed with installation only after unsatisfactory conditions have been corrected.
- E. Do not operate fan system until filters are in place. At Substantial Completion, replace temporary filters used during construction and testing, with new clean filters.

3.2 INSTALLATION

- A. Units that are required to ship in multiple sections shall be assembled per manufacturer's written instructions under the direction of a factory authorized representative.
- B. Equipment Mounting:
 - 1. Install air-handling units on cast-in-place concrete equipment bases. Concrete equipment bases shall comply with overall size, thickness, and edge distance for anchor bolts required in Section 230548 "Vibration and Seismic Controls" Submittal.
 - 2. Equipment Bases: Comply with requirements specified in Section 033053 "Miscellaneous Cast-in-Place Concrete".
 - 3. Vibration Isolation and Seismic Control: Comply with requirements specified in Section 230548 "Vibration and Seismic Controls for HVAC."
- C. Arrange installation of units to provide access space around air-handling units for service and maintenance.
- D. Do not operate fan system until filters are in place. At Substantial Completion replace temporary filters used during construction and testing, with new, clean filters.

3.3 CONNECTIONS

- A. Comply with requirements for piping specified in other Division 23 Sections. Drawings indicate general arrangement of piping, fittings, and specialties.
- B. Install piping adjacent to air-handling unit to allow service and maintenance.
- C. Connect condensate drain pans using NPS 1-1/4, ASTM B 88, Type M copper tubing. Extend to nearest equipment or floor drain. Construct deep trap at connection to drain pan and install cleanouts at changes in direction.
- D. Hot- and Chilled-Water Piping: Comply with applicable requirements in Section 232113 "Hydronic Piping" and Section 232116 "Hydronic Piping Specialties." Install shutoff valve and union or flange at each coil supply connection. Install balancing valve and union or flange at each coil return connection.
- E. Steam and Steam Condensate Piping: Comply with applicable requirements in Section 232213 "Steam and Condensate Heating Piping" and Section 232216 "Steam and Condensate Piping Specialties." Install shutoff valve at steam supply connections, float and thermostatic trap, and union or flange at each coil return connection. Install gate valve and inlet strainer at supply connection of dry steam humidifiers, and inverted bucket steam trap to condensate return connection.
- F. Comply with requirements in Section 233300 "Air Duct Accessories."

3.4 FIELD QUALITY CONTROL

- A. Manufacturer's Field Service: Engage a factory-authorized service representative, prior to unit startup to inspect, and adjust components, assemblies, and equipment installations including connections.
 - 1. Complete manufacturer's field assembly, installation and setup checklist.
 - 2. Prepare a written report of findings and recommended corrective actions signed by the factory-authorized service representative. Submit report to Architect along with copies of completed installation and setup checklist.
- B. Tests and Inspections:
 - 1. Leak Test: After installation, fill water coils with water, and test coils and connections for leaks.
 - 2. Fan Operational Test: After electrical circuitry has been energized, start units to confirm proper motor rotation and unit operation.
 - 3. Test and adjust controls and safeties. Replace damaged and malfunctioning controls and equipment.
- C. Air-handling Unit or components will be considered defective if Unit or components do not pass tests and inspections.
- D. Prepare a written report of findings and corrective actions. Submit written report to Architect.

3.5 STARTUP SERVICE

- A. Engage a factory-authorized service representative to perform startup service.
 - 1. Complete installation and startup checks according to manufacturer's written instructions.
 - 2. Verify that shipping, blocking, and bracing are removed.
 - 3. Verify that unit is secure on mountings and supporting devices and that connections to piping, ducts, and electrical systems are complete. Verify that proper thermal-overload protection is installed in motors, controllers, and switches.
 - 4. Verify proper motor rotation direction, free fan wheel rotation, and smooth bearing operations.
 - 5. Verify that bearings, pulleys, belts, and other moving parts are lubricated with factory-recommended lubricants.
 - 6. Verify that zone dampers fully open and close for each zone.
 - 7. Verify that outdoor- and return-air mixing dampers open and close, and maintain minimum outdoor-air setting.
 - 8. Comb coil fins for parallel orientation.
 - 9. Verify that proper thermal-overload protection is installed for electric coils.
 - 10. Install new, clean filters.
 - 11. Verify that manual and automatic volume control and fire and smoke dampers in connected duct systems are in fully open position.
- B. Starting procedures for air-handling units include the following:

1. Energize motor; verify proper operation of motor, drive system, and fan wheel. Adjust fan to indicated rpm.
2. Measure and record motor electrical values for voltage and amperage.
3. Manually operate dampers from fully closed to fully open position and record fan performance.

3.6 ADJUSTING

- A. Adjust damper linkages for proper damper operation.
- B. Comply with requirements in Section 230593 "Testing, Adjusting, and Balancing for HVAC" for air-handling system testing, adjusting, and balancing.

3.7 CLEANING

- A. After completing system installation, inspect interior and exterior finish. Remove burrs, dirt, and construction debris, and repair damaged finishes including chips, scratches and abrasions to restore unit to new condition.
- B. After completing system installation and testing, adjusting, and balancing air-handling unit and air-distribution systems and after completing startup service, clean air-handling units internally to remove foreign material and construction dirt and dust. Clean fan wheels, cabinets, dampers, coils, and filter housings.
- C. Install new, clean filters prior to Substantial Completion.

3.8 DEMONSTRATION

- A. Engage a factory-authorized service representative to train Owner's maintenance personnel on procedures and schedules related to startup and shutdown, troubleshooting, servicing and preventive maintenance.
 1. Review data in the Operation and Maintenance Manual. Refer to Division 1 Section "Contract Closeout".
 2. Schedule training with Owner through Architect with at least 7 days advance notice.

END OF SECTION

THIS PAGE INTENTIONALLY BLANK

SECTION 23 82 40 - PROPELLER UNIT HEATERS

PART 1 - GENERAL

1.1 RELATED DOCUMENTS

- A. Drawings and general provisions of the Contract, including General and Supplementary Conditions and Division 01 Specification Sections, apply to this Section.

1.2 SUMMARY

- A. Section includes propeller unit heaters with hot-water coils.

1.3 DEFINITIONS

- A. BAS: Building automation system.
- B. CWP: Cold working pressure.
- C. PTFE: Polytetrafluoroethylene plastic.
- D. TFE: Tetrafluoroethylene plastic.

1.4 ACTION SUBMITTALS

- A. Product Data: For each type of product.
 - 1. Include rated capacities, operating characteristics, furnished specialties, and accessories.
- B. Shop Drawings:
 - 1. Include plans, elevations, sections, and details.
 - 2. Include details of equipment assemblies. Indicate dimensions, weights, loads, required clearances, method of field assembly, components, and location and size of each field connection.
 - 3. Include location and size of each field connection.
 - 4. Include details of anchorages and attachments to structure and to supported equipment.
 - 5. Include equipment schedules to indicate rated capacities, operating characteristics, furnished specialties, and accessories.
 - 6. Indicate location and arrangement of piping valves and specialties.
 - 7. Indicate location and arrangement of integral controls.
 - 8. Wiring Diagrams: Power, signal, and control wiring.

1.5 INFORMATIONAL SUBMITTALS

- A. Coordination Drawings: Floor plans, reflected ceiling plans, and other details, drawn to scale, on which the following items are shown and coordinated with each other, using input from installers of the items involved:
1. Suspended ceiling components.
 2. Structural members to which propeller unit heaters will be attached.
 3. Method of attaching hangers to building structure.
 4. Size and location of initial access modules for acoustical tile.
 5. Items penetrating finished ceiling, including the following:
 - a. Lighting fixtures.
 - b. Air outlets and inlets.
 - c. Speakers.
 - d. Sprinklers.
 - e. Access panels.
- B. Seismic Qualification Certificates: Submit certification that propeller unit heaters, accessories, and components will withstand seismic forces defined in Section 23 0548 "Vibration and Seismic Controls for HVAC." Include the following:
1. Basis for Certification: Indicate whether withstand certification is based on actual test of assembled components or on calculation.
 2. Dimensioned Outline Drawings of Equipment Unit: Identify center of gravity and locate and describe mounting and anchorage provisions.
 3. Include detailed description of equipment anchorage devices on which the certification is based and their installation requirements.
- C. Field quality-control reports.

1.6 CLOSEOUT SUBMITTALS

- A. Operation and Maintenance Data: For propeller unit heaters to include in emergency, operation, and maintenance manuals.

PART 2 - PRODUCTS

2.1 MANUFACTURERS

- A. Manufacturers: Subject to compliance with requirements, provide products by one of the following:
1. McQuay International; Daikin Industries.
 2. Modine Mfg. Co.
 3. Trane.
 4. Reznor

2.2 DESCRIPTION

- A. Assembly including casing, coil, fan, and motor in vertical and horizontal discharge configuration with adjustable discharge louvers.
- B. Electrical Components, Devices, and Accessories: Listed and labeled as defined in NFPA 70, by a qualified testing agency, and marked for intended location and application.

2.3 PERFORMANCE REQUIREMENTS

- A. ASHRAE Compliance: Applicable requirements in ASHRAE 62.1, Section 5 - "Systems and Equipment" and Section 7 - "Construction and Startup."
- B. ASHRAE/IESNA 90.1 Compliance: Applicable requirements in ASHRAE/IESNA 90.1, Section 6 - "Heating, Ventilating, and Air-Conditioning."
- C. Seismic Performance: Propeller unit heaters shall withstand the effects of earthquake motions determined according to ASCE/SEI 7.
 - 1. The term "withstand" means "the unit will remain in place without separation of any parts when subjected to the seismic forces specified and the unit will be fully operational after the seismic event."

2.4 HOUSINGS

- A. Finish: Manufacturer's standard baked enamel applied to factory-assembled and -tested propeller unit heaters before shipping.
- B. Airstream Surfaces: Surfaces in contact with the airstream shall comply with requirements in ASHRAE 62.1.
- C. Discharge Louver: Adjustable fin diffuser for horizontal units and conical diffuser for vertical units.

2.5 COILS

- A. General Coil Requirements: Test and rate propeller unit-heater coils according to ASHRAE 33 in the following application:
 - 1. Hot-water.
- B. Hot-Water Coil: Copper tube, minimum 0.025-inch wall thickness, with mechanically bonded aluminum fins spaced no closer than 0.1 inch and rated for a minimum working pressure of 200 psig and a maximum entering-water temperature of 325 deg F, with manual air vent. Test for leaks to 350 psig underwater.

2.6 FAN AND MOTOR

- A. Fan: Propeller type with aluminum wheel directly mounted on motor shaft in the fan venturi.
- B. Motor: Permanently lubricated, multispeed. Comply with requirements in Division 23 "Common Motor Requirements for HVAC Equipment."

PART 3 - EXECUTION

3.1 EXAMINATION

- A. Examine areas to receive propeller unit heaters for compliance with requirements for installation tolerances and other conditions affecting performance of the Work.
- B. Examine roughing-in for piping and electrical connections to verify actual locations before unit-heater installation.
- C. Proceed with installation only after unsatisfactory conditions have been corrected.

3.2 INSTALLATION

- A. Install propeller unit heaters to comply with NFPA 90A.
- B. Install propeller unit heaters level and plumb.
- C. Suspend propeller unit heaters from structure with all-thread hanger rods and elastomeric hangers. Hanger rods and attachments to structure are specified in Division 23 "Hangers and Supports for HVAC Piping and Equipment." Vibration hangers are specified in Division 23 "Vibration Controls for HVAC."
- D. Suspend propeller unit heaters from structure with all-thread hanger rods and spring hangers with vertical-limit stop. Hanger rods and attachments to structure are specified in Division 23 "Hangers and Supports for HVAC Piping and Equipment." Vibration hangers are specified in Division 23 "Vibration and Seismic Controls for HVAC."
- E. Install wall-mounted thermostats and switch controls in electrical outlet boxes at heights to match lighting controls. Verify location of thermostats and other exposed control sensors with Drawings and room details before installation.

3.3 CONNECTIONS

- A. Piping installation requirements are specified in Division 23 "Hydronic Piping," Section 232116 Hydronic Piping Specialties," Division 23 "Steam and Condensate Heating Piping," and Division 23 "Steam and Condensate Piping Specialties." Drawings indicate general arrangement of piping, fittings, and specialties.
- B. Install piping adjacent to machine to allow service and maintenance.

- C. Connect piping to propeller unit heater's factory, hot-water piping package. Install the piping package if shipped loose.
- D. Unless otherwise indicated, install union and gate or ball valve on supply-water connection and union and calibrated balancing valve on return-water connection of propeller unit heater. Hydronic specialties are specified in Division 23 "Hydronic Piping" and Division 23 Hydronic Piping Specialties."
- E. Unless otherwise indicated, install union and gate or ball valve on steam-supply connection and union, strainer, steam trap, and gate or ball valve on condensate-return connection of propeller unit heater. Steam specialties are specified in Division 23 Steam and Condensate Piping Specialties."
- F. Ground equipment according to Division 26 "Grounding and Bonding for Electrical Systems."
- G. Connect wiring according to Division 26 "Low-Voltage Electrical Power Conductors and Cables."

3.4 FIELD QUALITY CONTROL

- A. Perform the following tests and inspections:
 - 1. Operational Test: After electrical circuitry has been energized, start units to confirm proper motor rotation and unit operation.
 - 2. Operate electric heating elements through each stage to verify proper operation and electrical connections.
 - 3. Test and adjust controls and safety devices. Replace damaged and malfunctioning controls and equipment.
- B. Units will be considered defective if they do not pass tests and inspections.
- C. Prepare test and inspection reports.

3.5 ADJUSTING

- A. Adjust initial temperature set points.
- B. Occupancy Adjustments: When requested within 12 months of date of Substantial Completion, provide on-site assistance in adjusting system to suit actual occupied conditions. Provide up to two visits to Project during other-than-normal occupancy hours for this purpose.

3.6 DEMONSTRATION

- A. Train Owner's maintenance personnel to adjust, operate, and maintain propeller unit heaters.

END OF SECTION

THIS PAGE INTENTIONALLY BLANK

Division	Section Title
260519	LOW-VOLTAGE ELECTRICAL POWER CONDUCTORS AND CABLES
260526	GROUNDING AND BONDING FOR ELECTRICAL SYSTEMS
260529	HANGERS AND SUPPORTS FOR ELECTRICAL SYSTEMS
260533	RACEWAYS AND BOXES FOR ELECTRICAL SYSTEMS
260544	SLEEVES AND SLEEVE SEALS FOR ELECTRICAL RACEWAYS AND CABLING
260548	VIBRATION AND SEISMIC CONTROLS FOR ELECTRICAL SYSTEMS
260553	IDENTIFICATION FOR ELECTRICAL SYSTEMS
260800	ELECTRICAL COMMISSIONING REQUIREMENTS
260923	LIGHTING CONTROL DEVICES
262416	PANELBOARDS
262726	WIRING DEVICES
262816	ENCLOSED SAFETY SWITCHES
262913	ENCLOSED CONTROLLERS
262923	VARIABLE-FREQUENCY MOTOR CONTROLLERS
265119	LED INTERIOR LIGHTING
270000	COMMON GENERAL CONDITIONS FOR COMMUNICATIONS SECTIONS Ver 06-2020
270100	OPERATION+MAINTENANCE OF COMMUNICATION SYSTEMS Ver 06-2020_
270113	WARRANTY PRODUCT AND SYSTEM Ver 06-2020
270119	FIELD TESTING AND REPORTING Ver 06-2020
270133	SHOP DRAWINGS PRODUCT DATA SAMPLES DESIGN RECORDS AND EXISTING CONDITIONS Ver 06-2020
270143	QUALIFICATIONS AND REQUIRED TRAINING FOR CONTRACTOR AND INSTALLER Ver 06-2020
270171	RESPONSIBILITY AND WORKMANSHIP OF CONTRACTOR Ver 06-2020
270500	COMMON WORK RESULTS FOR COMMUNICATIONS Ver 06-2020
270526	GROUNDING AND BONDING FOR COMMUNICATIONS SYSTEMS Ver 06-2020
270528	PATHWAYS FOR COMMUNICATIONS SYSTEMS Ver 06-2020
270529	HANGERS AND SUPPORTS FOR COMMUNICATIONS SYSTEMS Ver 06-2020
270533	CONDUITS AND BACK BOXES FOR COMMUNICATIONS SYSTEMS Ver 06-2020
270536	CABLE TRAYS FOR COMMUNICATIONS SYSTEMS Ver 06-2020
270543/46	CAMPUS CABLE ROUTING Ver 06-2020
270553	IDENTIFICATION FOR LOW-VOLTAGE CABLES AND LABELING Ver 06-2020
271100	EQUIPMENT ROOM FITTING Ver 06-2020
271116	CABINETS, RACKS, FRAMES, AND ENCLOSURES Ver 06-2020
271119	TERMINATION BLOCKS AND PATCH PANELS Ver 06-2020
271300	BACKBONE CABLING Ver 06-2020
271500	HORIZONTAL CABLING Ver 06-2020
271513	COPPER CABLE Ver 06-2020
271543	FACEPLATES AND CONNECTORS Ver 06-2020
271619	PATCH CABLES Ver 06-2020
275113	OHPAGE Ver 06-2020
275319	DAS - INTERNAL CELLULAR PAGING AND ANTENNA SYSTEMS Ver 06-2020

276001 APPENDIX 01 DEVIATION REQUEST PROCESS Ver 06-2020
276002 APPENDIX 02 DOCUMENT REFRESH PROCESS Ver 06-2020
276003 APPENDIX 03 DATA CENTER, TEC, TDR PART NUMBERS Ver 06-2020
276004 APPENDIX 04 REFERENCE STANDARDS Ver 06-2020
276005 APPENDIX 05 DEFINITIONS AND ABBREVIATIONS Ver 06-2020
276006 APPENDIX 06 MATERIAL SUPPLIERS Ver 06-2020
276007 APPENDIX 07 SIEMON - CERTIFIED INSTALLATION FIRMS Ver 06-2020
276008 APPENDIX 08 LEAD WALL PENETRATIONS Ver 06-2020
281300 ACCESS CONTROL
282300 VIDEO SURVEILLANCE
283111 DIGITAL, ADDRESSABLE FIRE-ALARM SYSTEM

END OF TABLE OF CONTENTS

SECTION 26 05 19**LOW VOLTAGE ELECTRICAL POWER CONDUCTORS AND CABLES****PART 1 - GENERAL****1.1 RELATED DOCUMENTS**

- A. Drawings and general provisions of the Contract, including General and Supplementary Conditions and Division 01 Specification Sections, apply to this Section.

1.2 SUMMARY

- A. Section Includes:
1. Building wires and cables rated 600 V and less.
 2. Connectors, splices, and terminations rated 600 V and less.
- B. Related Requirements:
1. Section 26 05 33 "Raceways and Boxes for Electrical Systems"
 2. Section 26 09 23 "Lighting Control Devices"
 3. Section 26 09 36 "Standalone Modular Preset Dimming Controls"
 4. Section 26 09 43 "Relay-Based Lighting Controls"
 5. Section 27 41 33 "Master Antenna Television System"
 6. Section 27 51 17 "Networked Public Address and Paging System"
 7. Section 27 51 19 "Sound Masking Systems"
 8. Section 28 13 00 "Access Control"
 9. Section 28 31 11 "Digital, Addressable Fire-Alarm System"
 10. Section 27 00 00 "Intermountain Healthcare Networked Structured Cable & Standards" for cabling used for voice and data circuits.

1.3 DEFINITIONS

- A. Outlet Box: Electrical box used to support utilization equipment such as a receptacle or light fixture.
- B. Pull Box: Electrical box through which branch circuit or feeder conductors are run but are not spliced.
- C. Junction Box: Electrical box used for splicing branch circuit or feeder conductors.
- D. Multiwire Branch Circuit: A branch circuit as defined by the National Electrical Code that shares a grounded conductor between two of more phase conductors.

1.4 ACTION SUBMITTALS

- A. Product Data: For each type of product.

1.5 INFORMATIONAL SUBMITTALS

- A. Field quality-control reports.

PART 2 - PRODUCTS**2.1 SINGLE CONDUCTORS**

- A. Manufacturers: Subject to compliance with requirements, available manufacturers offering products that may be incorporated into the Work include, but are not limited to the following:
1. Alpha Wire Company.
 2. Belden Inc.
 3. Cerro Wire LLC.
 4. Encore Wire Corporation.
 5. General Cable; General Cable Corporation.

6. Southwire Company.
 7. Thomas & Betts Corporation; A Member of the ABB Group.
- B. Aluminum and Copper Conductors: Comply with NEMA WC 70/ICEA S-95-658.
- C. Conductor Insulation: Comply with NEMA WC 70/ICEA S-95-658 for Type THHN/THWN-2, Type XHHW-2 and Type SO.

2.2 MULTI-CONDUCTOR CABLES

- A. Manufacturers: Subject to compliance with requirements, available manufacturers offering products that may be incorporated into the Work include, but are not limited to the following:
1. Southwire Company.
 2. AFC Cable Systems.
- B. Copper Conductors: Comply with NEMA WC 70/ICEA S-95-658.
- C. Conductor Insulation: Comply with NEMA WC 70/ICEA S-95-658 for Type THHN/THWN-2, Type XHHW-2 and Type SO.
- D. Multi-conductor Cable, Type AC-HCF:
1. Armor: Galvanized Interlocking Steel Strip (green striped or solid green).
 2. Conductors: Solid Copper
 3. Conductor Insulation: THHN-2 with individual moisture resistant, fire retardant paper wrap on each individual conductor.
 4. Grounding: 16 AWG integral bond wire and insulated green copper grounding conductor.
 5. Neutral(Grounded) Conductor: White for 120Y/208 volt systems and Grey 480Y/277 volt systems.
 6. Maximum Voltage Rating: 600 volts.
 7. References and Ratings:
 - a. UL 4, 83, 1479, 1581, 2556, File Reference E7330
 - b. NEC 250.118(8), 300.22(C), 392, 320, 517.13, 518, 645
 - c. Federal Specification A-A-59544 (formerly J-C-30B)
 - d. UL Classified 1, 2, and 3-hour through (Fire) penetration product, R-14141
 - e. Environmental Air-Handling Space Installation per NEC 300.22(C)
- E. Other Multi-conductor Cable: Comply with NEMA WC 70/ICEA S-95-658 for Type SO with ground wire.

2.3 CONNECTORS AND SPLICES

- A. Manufacturers: Subject to compliance with requirements, available manufacturers offering products that may be incorporated into the Work include, but are not limited to the following:
1. 3M.
 2. AFC Cable Systems; a part of Atkore International.
 3. Hubbell Power Systems, Inc.
 4. Ideal Industries, Inc.
 5. ILSCO.
 6. O-Z/Gedney; a brand of Emerson Industrial Automation.
- B. Description: Factory-fabricated connectors and splices of size, ampacity rating, material, type, and class for application and service indicated.

2.4 CORD REELS

- A. Manufacturers: Subject to compliance with requirements, available manufacturers offering products that may be incorporated into the Work include, but are not limited to the following:
1. APC Group; Kitchen Leash
- B. Case (housing):
1. Dimensions: 9" x 12" x 3'
 2. Material: Molded Polypropylene 3.175 mm thickness
 3. 94v-2 flammability rating

- C. Power Cord
 - 1. Conductors: 14/3 AWG copper type SJOW
 - 2. Length: 10 feet
 - 3. Rating: 200 degrees F
- D. Receptacle/Plug
 - 1. Rated: 125vac/20 amp
 - 2. Receptacle: NEMA 5-15P
 - 3. Plug: Dual Duplex rated 20 amp
- E. Mounting Bracket: Designed for installation on the ceiling type where the cord reel will be installed.

2.5 SYSTEM DESCRIPTION

- A. Electrical Components, Devices, and Accessories: Listed and labeled as defined in NFPA 70, by a qualified testing agency, and marked for intended location and application.
- B. Comply with NFPA 70.

PART 3 - EXECUTION

3.1 CONDUCTOR MATERIAL APPLICATIONS

- A. Feeders: Copper for feeders smaller than No. 4 AWG; for feeders No. 4 AWG and larger provide copper feeders unless aluminum is specifically indicated on the one-line diagrams. Solid or stranded for No. 10 AWG and smaller; stranded for No. 8 AWG and larger.
- B. Branch Circuits: Copper. Solid or stranded for No. 10 AWG and smaller; stranded for No. 8 AWG and larger.

3.2 CONDUCTOR INSULATION AND MULTICONDUCTOR CABLE APPLICATIONS AND WIRING METHODS

- A. Refer to Section 26 05 33 "Raceways and Boxes for Electrical Systems" for raceway types and applications.
- B. Exposed Feeders: Type THHN/THWN-2, single conductors in raceway.
- C. Feeders Concealed in Ceilings, Walls, Partitions, and Crawlspace: Type THHN/THWN-2, single conductors in raceway.
- D. Feeders below Slabs-On-Grade, and Underground: Type THWN-2, single conductors in raceway.
- E. Multiwire Circuits: may not be used for branch circuit wiring. All 120 volt and 277 volt circuits shall be provided with a dedicated grounded conductor (neutral) for each phase conductor. Up to three of these circuits may be installed in a single conduit but not more than one conductor of each phase may be installed in a single conduit. **Specification Writer's Comment – Installation of more than 3 circuits in a homerun conduit, as a Value Engineering possibility, has been discussed with the Design-Assist Electrical Contractor but has not yet been approve.**
- F. Branch Circuits Concealed in Ceilings, Walls, and Partitions: Type THHN/THWN-2, single conductors in raceway.
 - 1. Armored cable, Type AC-HCF may be installed for normal and equipment system single branch circuits concealed in walls, and partitions in lengths between outlet boxes 30' or less and not as homeruns or wiring between pullboxes or junction boxes.
 - 2. Armored cable, Type AC-HCF may be installed between the first outlet box concealed in a wall or partition and a junction box above an accessible ceiling immediately above the location where the cable exits the wall or partition framing.

- G. Branch Circuits below Slabs-on-Grade and Underground: Type THHN/THWN-2, single conductors in raceway. Installation of raceways within any concrete slab or composite concrete and steel deck is prohibited. NEC 517.13 (A) requires that all branch circuits serving patient care areas are provided with an effective ground-fault current path by installation in a metal raceway system, or a cable having a metallic armor or sheath assembly that qualifies as an equipment grounding conductor. Metallic raceways are not a specified raceway for branch circuits installed below slabs-on-grade. To assure compliance with the NEC requirement, both initially and when remodels occur in the future, the installation of branch circuit wiring under slabs-on-grade is limited to circuits supplying only the following rooms and area types without extension beyond the room or area to a room or area not listed here:
1. Mechanical Spaces.
 2. Electrical Rooms.
 3. Food Service.
- H. Branch circuit wiring may also be installed under slabs-on-grade to supply power for the following:
1. Systems Furniture.
 2. Floor Boxes.
 3. Direct wired equipment that is not located against a wall.
- I. Cord Drops and Portable Appliance Connections: Type SO, hard service cord with stainless-steel, wire-mesh, strain-relief device at terminations to suit application.
- J. Isolated Power System Conductors: #10 AWG, Type XHHW-2 stranded with cross-linked PE insulation and a dielectric constant of 3.5 or less, installed in EMT conduit.

3.3 INSTALLATION OF CONDUCTORS AND CABLES

- A. Conceal cables in finished walls, ceilings, and floors unless otherwise indicated.
- B. Complete raceway installation between conductor and cable termination points according to Section 26 05 33 "Raceways and Boxes for Electrical Systems" prior to pulling conductors and cables.
- C. Use manufacturer-approved pulling compound or lubricant where necessary; compound used must not deteriorate conductor or insulation. Do not exceed manufacturer's recommended maximum pulling tensions and sidewall pressure values. Do not use pulling compounds or lubricant for installation of branch circuit conductors for Isolated Power Systems.
- D. Use pulling means, including fish tape, cable, rope, and basket-weave wire/cable grips, that will not damage cables or raceway.
- E. Install exposed cables parallel and perpendicular to surfaces of exposed structural members, and follow surface contours where possible.
- F. Support cables according to Section 26 05 29 "Hangers and Supports for Electrical Systems."

3.4 CORD REELS

- A. Coordinate location of cord reels to align with kitchen equipment supplied by the cord reel.
- B. Fasten brackets to structure using minimum 3/8" threaded rod and to rigidly support the cord reel. Minimum of 2 rods per bracket with addition if required to provide a rigid support.
- C. Adjust cord stopper as coordinated with owner.

3.5 CONNECTIONS

- A. Tighten electrical connectors and terminals according to manufacturer's published torque-tightening values. If manufacturer's torque values are not indicated, use those specified in UL 486A-486B.

- B. Make splices, terminations, and taps that are compatible with conductor material and that possess equivalent or better mechanical strength and insulation ratings than unspliced conductors.
 - 1. Use oxide inhibitor in each splice, termination, and tap for aluminum conductors.
- C. Wiring at Outlets: Install conductor at each outlet, with at least 12 inches (300 mm) of slack.

3.6 IDENTIFICATION

- A. Identify and color-code conductors and cables according to Section 26 05 53 "Identification for Electrical Systems."
- B. Identify each spare conductor at each end with panel and circuit number and identify as spare conductor.

3.7 SLEEVE AND SLEEVE-SEAL INSTALLATION FOR ELECTRICAL PENETRATIONS

- A. Install sleeves and sleeve seals at penetrations of exterior floor and wall assemblies. Comply with requirements in Section 26 05 44 "Sleeves and Sleeve Seals for Electrical Raceways and Cabling."

3.8 FIRESTOPPING

- A. Apply firestopping to electrical penetrations of fire-rated floor and wall assemblies to restore original fire-resistance rating of assembly according to Section 07 84 13 "Penetration Firestopping."

3.9 FIELD QUALITY CONTROL

- A. Perform the following tests and inspections:
 - 1. After installing conductors and cables and before electrical circuitry has been energized, test feeder conductors and conductors feeding the following critical equipment and services for compliance with requirements.
 - a. Imaging Equipment
 - 2. Infrared Scanning: After Substantial Completion, but not more than 60 days after Final Acceptance, perform an infrared scan of each splice in conductors No. 3 AWG and larger. Remove box and equipment covers so splices are accessible to portable scanner. Correct deficiencies determined during the scan.
 - a. Follow-up Infrared Scanning: Perform an additional follow-up infrared scan of each splice 11 months after date of Substantial Completion.
 - b. Instrument: Use an infrared scanning device designed to measure temperature or to detect significant deviations from normal values. Provide calibration record for device.
 - c. Record of Infrared Scanning: Prepare a certified report that identifies splices checked and that describes scanning results. Include notation of deficiencies detected, remedial action taken, and observations after remedial action.
- B. Test and Inspection Reports: Prepare a written report to record the following:
 - 1. Procedures used.
 - 2. Results that comply with requirements.
 - 3. Results that do not comply with requirements and corrective action taken to achieve compliance with requirements.
- C. Cables will be considered defective if they do not pass tests and inspections.

END OF SECTION

SECTION 26 05 26
GROUNDING AND BONDING FOR ELECTRICAL SYSTEMS

PART 1 - GENERAL**1.1 RELATED DOCUMENTS**

- A. Drawings and general provisions of the Contract, including General and Supplementary Conditions and Division 01 Specification Sections, apply to this Section.

1.2 SUMMARY

- A. Section includes grounding and bonding systems and equipment.
- B. Section includes grounding and bonding systems and equipment, plus the following special applications:
1. Installation and Bonding of Grounding Electrodes including:
 - a. Metal Underground Water Pipe
 - b. Metal Frame of the Structure
 - c. Concrete-Encased Electrodes including UFER Grounds
 - d. Ground Ring
 - e. Rod Electrodes
 2. Ground bonding common with lightning protection system.
 3. Foundation steel electrodes.
 4. Electrical Room Ground Bus.
- C. Installation and bonding of grounding electrodes including bonding of the metal frame of the structure, concrete-encased electrodes including UFER grounds, ground ring and rod electrodes is provided under previous bid package 3.01.

1.3 ACTION SUBMITTALS

- A. Product Data: For each type of product indicated.

1.4 INFORMATIONAL SUBMITTALS

- A. As-Built Data: Plans showing dimensioned as-built locations of grounding features specified in "Field Quality Control" Article, including the following:
1. Test wells.
 2. Grounding Electrodes
 3. Bonding Jumpers
 4. Electrical Room Grounding Bus.
 5. TEC and TDR Grounding Bus.
- B. Field quality-control reports.

1.5 CLOSEOUT SUBMITTALS

- A. Operation and Maintenance Data: For grounding to include in emergency, operation, and maintenance manuals.
1. In addition to items specified in Section 01 78 23 "Operation and Maintenance Data," include the following:
 - a. Instructions for periodic testing and inspection of grounding features at test wells based on NFPA 70B.
 - 1) Tests shall determine if ground-resistance or impedance values remain within specified maximums, and instructions shall recommend corrective action if values do not.
 - 2) Include recommended testing intervals.

1.6 QUALITY ASSURANCE

- A. Electrical Components, Devices, and Accessories: Listed and labeled as defined in NFPA 70, by a qualified testing agency, and marked for intended location and application.
- B. Comply with UL 467 for grounding and bonding materials and equipment.

PART 2 - PRODUCTS

2.1 SYSTEM DESCRIPTION

- A. Electrical Components, Devices, and Accessories: Listed and labeled as defined in NFPA 70, by a qualified testing agency, and marked for intended location and application.
- B. Comply with UL 467 for grounding and bonding materials and equipment.

2.2 CONDUCTORS

- A. Insulated Conductors: Copper or tinned-copper wire or cable insulated for 600 V unless otherwise required by applicable Code or authorities having jurisdiction.
- B. Bare Copper Conductors:
 - 1. Stranded Conductors: ASTM B 8.
 - 2. Tinned Conductors: ASTM B 33.
 - 3. Bonding Cable: 28 kcmil, 14 strands of No. 17 AWG conductor, 1/4 inch (6 mm) in diameter.
- C. Electrical Room Grounding Bus: Predrilled rectangular bars of annealed copper, 1/4 by 4 inches (6.3 by 100 mm) in cross section, with 9/32-inch (7.14-mm) holes spaced 1-1/8 inches (28 mm) apart. Stand-off insulators for mounting shall comply with UL 891 for use in switchboards, 600 V and shall be Lexan or PVC, impulse tested at 5000 V. Length as required for all specified terminations plus 25% spare but not less than 20 inches.
- D. TEC and TDR Grounding Bus: Predrilled rectangular bars of annealed copper, 1/4 by 4 inches (6.3 by 100 mm) in cross section, with 9/32-inch (7.14-mm) holes spaced 1-1/8 inches (28 mm) apart. Stand-off insulators for mounting shall comply with UL 891 for use in switchboards, 600 V and shall be Lexan or PVC, impulse tested at 5000 V. Length as required for all specified terminations plus 25% spare but not less than 12 inches.

2.3 CONNECTORS

- A. Listed and labeled by an NRTL acceptable to authorities having jurisdiction for applications in which used and for specific types, sizes, and combinations of conductors and other items connected.
- B. Bolted Connectors for Conductors and Pipes: Copper or copper alloy.
- C. Welded Connectors: Exothermic-welding kits of types recommended by kit manufacturer for materials being joined and installation conditions.
- D. Bus-Bar Connectors: Mechanical type, cast silicon bronze, solderless compression-type wire terminals, and long-barrel, two-bolt connection to ground bus bar.

2.4 GROUNDING ELECTRODES

- A. Ground Rods: Copper-clad steel; 3/4 inch by 10 feet (19 mm by 3 m).

PART 3 - EXECUTION

3.1 APPLICATIONS

- A. Conductors: Install stranded conductors unless otherwise indicated.

- B. Underground Grounding Conductors: Install bare tinned-copper conductor, No. 4/0 AWG minimum.
 - 1. Bury at least 18 inches (600 mm) below grade.
- C. Isolated Grounding Conductors: Green-colored insulation with continuous yellow stripe. On feeders with isolated ground, identify grounding conductor where visible to normal inspection, with alternating bands of green and yellow tape, with at least three bands of green and two bands of yellow.
- D. Grounding Bus: Install in Normal Power Electrical Room, Essential Power Electrical Room, TEC and all TDR. Install bus horizontally, on insulated spacers 2 inches (50 mm) minimum from wall, 96 inches (2400 mm) above finished floor unless otherwise indicated.
- E. Conductor Terminations and Connections:
 - 1. Pipe Terminations: Bolted connectors.
 - 2. Underground Connections: Welded connectors except at test wells and as otherwise indicated.
 - 3. Connections to Ground Rods at Test Wells: Bolted connectors.
 - 4. Connections to Structural Steel: Welded connectors.

3.2 GROUNDING UNDERGROUND DISTRIBUTION SYSTEM COMPONENTS

- A. Comply with IEEE C2 grounding requirements.
- B. Pad-Mounted Transformers and Switches: Install tinned-copper conductor not less than No. 4/0 AWG from equipment grounding terminals to ground ring. Bury ground ring not less 18 inches below finished grade.

3.3 EQUIPMENT GROUNDING

- A. Install insulated equipment grounding conductors with all feeders and branch circuits.
- B. Install insulated equipment grounding conductors with the following items, in addition to those required by NFPA 70:
 - 1. Feeders and branch circuits.
 - 2. Lighting circuits.
 - 3. Receptacle circuits.
 - 4. Single-phase motor and appliance branch circuits.
 - 5. Three-phase motor and appliance branch circuits.
 - 6. Flexible raceway runs.
 - 7. Armored and metal-clad cable runs.
 - 8. Busway Supply Circuits: Install insulated equipment grounding conductor from grounding bus in the switchgear, switchboard, or distribution panel to equipment grounding bar terminal on busway.
 - 9. X-Ray Equipment Circuits: Install insulated equipment grounding conductor in circuits supplying x-ray equipment.
- C. Air-Duct Equipment Circuits: Install insulated equipment grounding conductor to duct-mounted electrical devices operating at 120 V and more, including air cleaners, heaters, dampers, humidifiers, and other duct electrical equipment. Bond conductor to each unit and to air duct and connected metallic piping.
- D. Water Heater, Heat-Tracing, and Antifrost Heating Cables: Install a separate insulated equipment grounding conductor to each electric water heater and heat-tracing cable. Bond conductor to heater units, piping, connected equipment, and components.
- E. Isolated Grounding Receptacle Circuits: Install an insulated equipment grounding conductor connected to the receptacle grounding terminal. Isolate conductor from raceway and from panelboard grounding terminals. Terminate at equipment grounding conductor terminal of the applicable derived system or service unless otherwise indicated.

- F. Isolated Equipment Enclosure Circuits: For designated equipment supplied by a branch circuit or feeder, isolate equipment enclosure from supply circuit raceway with a nonmetallic raceway fitting listed for the purpose. Install fitting where raceway enters enclosure, and install a separate insulated equipment grounding conductor. Isolate conductor from raceway and from panelboard grounding terminals. Terminate at equipment grounding conductor terminal of the applicable derived system or service unless otherwise indicated.
- G. Metallic Fences: Comply with requirements of IEEE C2.
 - 1. Grounding Conductor: Bare, tinned copper, not less than No. 8 AWG.
 - 2. Gates: Shall be bonded to the grounding conductor with a flexible bonding jumper.

3.4 INSTALLATION

- A. Grounding Conductors: Route along shortest and straightest paths possible unless otherwise indicated or required by Code. Avoid obstructing access or placing conductors where they may be subjected to strain, impact, or damage.
- B. Ground Bonding Common with Lightning Protection System: Comply with NFPA 780 and UL 96 when interconnecting with lightning protection system. Bond electrical power system ground directly to lightning protection system grounding conductor at closest point to electrical service grounding electrode. Use bonding conductor sized same as system grounding electrode conductor, and install in conduit.
- C. Ground Rods: Drive rods until tops are 2 inches (50 mm) below finished floor or final grade unless otherwise indicated.
 - 1. Interconnect ground rods with grounding electrode conductor below grade and as otherwise indicated. Make connections without exposing steel or damaging coating if any.
- D. Test Wells: Ground rod driven through drilled hole in bottom of handhole. Handholes are shall be at least 12 inches (300 mm) deep, with cover.
 - 1. Test Wells: Install one test well at the ground rod location indicated on the drawings.
- E. Bonding Straps and Jumpers: Install in locations accessible for inspection and maintenance except where routed through concrete footings.
 - 1. Bonding to Structure: Bond straps directly to basic structure, taking care not to penetrate any adjacent parts.
 - 2. Use exothermic-welded connectors; if a disconnect-type connection is required, use a bolted clamp.
- F. Grounding for Steel Building Structure: Install a driven ground rod at base of each corner column and at intermediate interior and exterior columns at distances not more than 60 feet (18 m) apart.
 - 1.
- G. Ground Ring: Install a grounding conductor, electrically connected to each building structure ground rod.
 - 1. Install tinned-copper conductor not less than No. 4/0 AWG for bond to ground ring and for taps to building steel.
 - 2. Bury ground ring not less than 24 inches (600 mm) from building's foundation.
- H. Concrete-Encased Grounding Electrode (Ufer Ground): Fabricate according to NFPA 70; use a minimum of 20 feet (6 m) of bare copper conductor not smaller than No. 4/0 AWG.
 - 1. If concrete foundation is less than 20 feet (6 m) long, coil excess conductor within base of foundation.
 - 2. Bond grounding conductor to reinforcing steel in at least four locations in mat footing and at four spread footing locations evenly distributed throughout building. Extend grounding conductor below grade and connect to building's grounding grid or to grounding electrode external to concrete.
- I. Grounding and Bonding for Piping:

1. Metal Water Service Pipe: Install insulated copper grounding conductors, in conduit, from building's main service equipment, or grounding bus, to main metal water service entrances to building. Connect grounding conductors to main metal water service pipes; use a bolted clamp connector or bolt a lug-type connector to a pipe flange by using one of the lug bolts of the flange. Where a dielectric main water fitting is installed, connect grounding conductor on street side of fitting. Bond metal grounding conductor conduit or sleeve to conductor at each end.
2. Water Meter Piping: Use braided-type bonding jumpers to electrically bypass water meters. Connect to pipe with a bolted connector.
3. Bond each aboveground portion of gas piping system downstream from equipment shutoff valve.

3.5 FIELD QUALITY CONTROL

- A. Tests and Inspections:
 1. After installing grounding system but before permanent electrical circuits have been energized, test for compliance with requirements.
 2. Inspect physical and mechanical condition. Verify tightness of accessible, bolted, electrical connections with a calibrated torque wrench according to manufacturer's written instructions.
 3. Test completed grounding system at each location where a maximum ground-resistance level is specified, at service disconnect enclosure grounding conductor, at ground test wells, and at individual ground rods. Make tests at ground rods before any conductors are connected.
 - a. Measure ground resistance no fewer than two full days after last trace of precipitation and without soil being moistened by any means other than natural drainage or seepage and without chemical treatment or other artificial means of reducing natural ground resistance.
 - b. Perform tests by fall-of-potential method according to IEEE 81.
 4. Prepare dimensioned Drawings locating each test well, ground rod and ground-rod assembly, and other grounding electrodes. Identify each by letter in alphabetical order, and key to the record of tests and observations. Include the number of rods driven and their depth at each location, and include observations of weather and other phenomena that may affect test results. Describe measures taken to improve test results.
- B. Grounding system will be considered defective if it does not pass tests and inspections.
- C. Prepare test and inspection reports.
- D. Report measured ground resistances that exceed 3 ohms.
- E. Excessive Ground Resistance: If resistance to ground exceeds specified values, notify Architect promptly and include recommendations to reduce ground resistance.

END OF SECTION

SECTION 26 05 29
HANGERS AND SUPPORTS FOR ELECTRICAL SYSTEMS

PART 1 - GENERAL**1.1 RELATED DOCUMENTS**

- A. Drawings and general provisions of the Contract, including General and Supplementary Conditions and Division 01 Specification Sections, apply to this Section.

1.2 SUMMARY

- A. Section Includes:
1. Hangers and supports for electrical equipment and systems.
 2. Construction requirements for concrete bases.
- B. Related Requirements:
1. Section 260548.16 "Seismic Controls for Electrical Systems" for products and installation requirements necessary for compliance with seismic criteria.

1.3 ACTION SUBMITTALS

- A. Product Data: For each type of product.
1. Include construction details, material descriptions, dimensions of individual components and profiles, and finishes for the following:
 - a. Hangers.
 - b. Steel slotted support systems.
 - c. Nonmetallic support systems.
 - d. Trapeze hangers.
 - e. Clamps.
 - f. Turnbuckles.
 - g. Sockets.
 - h. Eye nuts.
 - i. Saddles.
 - j. Brackets.
 2. Include rated capacities and furnished specialties and accessories.
- B. Shop Drawings: Signed and sealed by a qualified professional engineer. For fabrication and installation details for electrical hangers and support systems.
1. Trapeze hangers. Include product data for components.
 2. Steel slotted-channel systems.
 - 3.
 4. Nonmetallic slotted-channel systems.
 5. Equipment supports.
 6. Vibration Isolation Base Details: Detail fabrication, including anchorages and attachments to structure and to supported equipment. Include adjustable motor bases, rails, and frames for equipment mounting.
- C. Delegated-Design Submittal: For hangers and supports for electrical systems.
1. Include design calculations and details of trapeze hangers.
 2. Include design calculations for seismic restraints.

1.4 INFORMATIONAL SUBMITTALS

- A. Coordination Drawings: Reflected ceiling plan(s) and other details, drawn to scale, on which the following items are shown and coordinated with each other, using input from installers of the items involved:

1. Suspended ceiling components.
 2. Structural members to which hangers and supports will be attached.
 3. Size and location of initial access modules for acoustical tile.
 4. Items penetrating finished ceiling, including the following:
 - a. Lighting fixtures and lighting control.
 - b. Electrical power devices
 - c. Communications devices.
 - d. Air outlets and inlets.
 - e. Speakers.
 - f. Fire sprinklers.
 - g. Access panels.
 - h. Projectors.
 - i. Fire alarm system devices.
 - j. Nurse call system devices.
- B. Seismic Qualification Certificates: For hangers and supports for electrical equipment and systems, accessories, and components, from manufacturer.
1. Basis for Certification: Indicate whether withstand certification is based on actual test of assembled components or on calculation.
 2. Dimensioned Outline Drawings of Equipment Unit: Identify center of gravity and locate and describe mounting and anchorage provisions.
 3. Detailed description of equipment anchorage devices on which the certification is based and their installation requirements.
- C. Welding certificates.

1.5 QUALITY ASSURANCE

- A. Welding Qualifications: Qualify procedures and personnel according to AWS D1.1/D1.1M.

PART 2 - PRODUCTS

2.1 PERFORMANCE REQUIREMENTS

- A. Delegated Design: Engage a qualified professional engineer, as defined in Section 014000 "Quality Requirements," to design hanger and support system.
- B. Seismic Performance: Hangers and supports shall withstand the effects of earthquake motions determined according to ASCE/SEI 7.
1. The term "withstand" means "the supported equipment and systems will remain in place without separation of any parts when subjected to the seismic forces specified and the system will be fully operational after the seismic event."
 2. Component Importance Factor: 1.5.
- C. Surface-Burning Characteristics: Comply with ASTM E 84; testing by a qualified testing agency. Identify products with appropriate markings of applicable testing agency.
1. Flame Rating: Class 1.
 2. Self-extinguishing according to ASTM D 635.

2.2 SUPPORT, ANCHORAGE, AND ATTACHMENT COMPONENTS

- A. Steel Slotted Support Systems: Comply with MFMA-4 factory-fabricated components for field assembly.
1. Material: Galvanized steel.
 2. Channel Width: Use 1-1/4 inches (31.75 mm) where possible and minimum 13/16 inches (20.64 mm) where necessary due to space restrictions.
 3. Metallic Coatings: Hot-dip galvanized after fabrication and applied according to MFMA-4.
 4. Channel Dimensions: Selected for applicable load criteria.

- B. Conduit and Cable Support Devices: Steel hangers, clamps, and associated fittings, designed for types and sizes of raceway or cable to be supported.
- C. Support for Conductors in Vertical Conduit: Factory-fabricated assembly consisting of threaded body and insulating wedging plug or plugs for electrical conductors in riser conduits. Plugs shall have number, size, and shape of conductor gripping pieces as required to suit individual conductors or cables supported. Body shall be made of malleable iron.
- D. Structural Steel for Fabricated Supports and Restraints: ASTM A 36/A 36M steel plates, shapes, and bars; black and galvanized.
- E. Mounting, Anchoring, and Attachment Components: Items for fastening electrical items or their supports to building surfaces include the following:
 - 1. Powder-Actuated Fasteners: Threaded-steel stud, for use in hardened portland cement concrete, steel, or wood, with tension, shear, and pullout capacities appropriate for supported loads and building materials where used.
 - 2. Mechanical-Expansion Anchors: Insert-wedge-type, stainless steel, for use in hardened portland cement concrete, with tension, shear, and pullout capacities appropriate for supported loads and building materials where used.
 - 3. Concrete Inserts: Steel or malleable-iron, slotted support system units are similar to MSS Type 18 units and comply with MFMA-4 or MSS SP-58.
 - 4. Clamps for Attachment to Steel Structural Elements: MSS SP-58 units are suitable for attached structural element.
 - 5. Through Bolts: Structural type, hex head, and high strength. Comply with ASTM A 325.
 - 6. Hanger Rods: Threaded steel.

2.3 FABRICATED METAL EQUIPMENT SUPPORT ASSEMBLIES

- A. Description: Welded or bolted structural-steel shapes, shop or field fabricated to fit dimensions of supported equipment.
- B. Materials: Comply with requirements in Section 055000 "Metal Fabrications" for steel shapes and plates.

PART 3 - EXECUTION

3.1 APPLICATION

- A. Comply with NECA 1 and NECA 101 for application of hangers and supports for electrical equipment and systems unless requirements in this Section are stricter.
- B. Comply with requirements for raceways and boxes specified in Section 260533 "Raceways and Boxes for Electrical Systems."
- C. Maximum Support Spacing and Minimum Hanger Rod Size for Raceway: Space supports for EMTs, IMCs, and RMCs as scheduled in NECA 1, where Table 1 lists maximum spacings that are less than those stated in NFPA 70. Minimum rod size shall be 3/8 inch (9 mm) in diameter.
- D. Multiple Raceways: Install trapeze-type supports fabricated with steel slotted support system, sized so capacity can be increased by at least 25 percent in future without exceeding specified design load limits.
 - 1. Secure raceways and cables to these supports with single-bolt conduit clamps.
- E. Spring-steel clamps designed for supporting single conduits without bolts may be used for 1-1/2-inch (38-mm) and smaller raceways serving branch circuits and communication systems above suspended ceilings and for fastening raceways to trapeze supports.

3.2 SUPPORT INSTALLATION

- A. Comply with NECA 1 and NECA 101 for installation requirements except as specified in this article.

- B. Raceway Support Methods: In addition to methods described in NECA 1, EMTs, IMCs, and RMCs may be supported by openings through structure members, according to NFPA 70. Only prefabricated openings in structure members may be used. Do not create openings in structure members unless directed to do so by the structural engineer of record.
- C. Strength of Support Assemblies: Where not indicated, select sizes of components so strength will be adequate to carry present and future static loads within specified loading limits. Minimum static design load used for strength determination shall be weight of supported components plus 200 lb (90 kg).
- D. Mounting and Anchorage of Surface-Mounted Equipment and Components: Anchor and fasten electrical items and their supports to building structural elements by the following methods unless otherwise indicated by code:
 - 1. To Wood: Fasten with lag screws or through bolts.
 - 2. To New Concrete: Bolt to concrete inserts.
 - 3. To Masonry: Approved toggle-type bolts on hollow masonry units and expansion anchor fasteners on solid masonry units.
 - 4. To Existing Concrete: Expansion anchor fasteners.
 - 5. Instead of expansion anchors, powder-actuated driven threaded studs provided with lock washers and nuts may be used in existing standard-weight concrete 4 inches (100 mm) thick or greater. Do not use for anchorage to lightweight-aggregate concrete or for slabs less than 4 inches (100 mm) thick.
 - 6. To Steel: Beam clamps (MSS SP-58, Type 19, 21, 23, 25, or 27), complying with MSS SP-69.
 - 7. To Light Steel: Sheet metal screws.
 - 8. Items Mounted on Hollow Walls and Nonstructural Building Surfaces: Mount cabinets, panelboards, disconnect switches, control enclosures, pull and junction boxes, transformers, and other devices on 13/16 inches (20.64 mm) slotted-channel racks attached to substrate by means that comply with seismic-restraint strength and anchorage requirements.
- E. Drill holes for expansion anchors in concrete at locations and to depths that avoid the need for reinforcing bars.

3.3 INSTALLATION OF FABRICATED METAL SUPPORTS

- A. Comply with installation requirements in Section 055000 "Metal Fabrications" for site-fabricated metal supports.
- B. Cut, fit, and place miscellaneous metal supports accurately in location, alignment, and elevation to support and anchor electrical materials and equipment.
- C. Field Welding: Comply with AWS D1.1/D1.1M.

3.4 CONCRETE BASES

- A. Construct concrete bases of dimensions indicated but not less than 4 inches (100 mm) larger in both directions than supported unit, and so anchors will be a minimum of 10 bolt diameters from edge of the base.
- B. Use 3000-psi (20.7-MPa), 28-day compressive-strength concrete. Concrete materials, reinforcement, and placement requirements are specified in Section 03 30 00 "Cast-in-Place Concrete" or Section 03 30 53 "Miscellaneous Cast-in-Place Concrete."
- C. Anchor equipment to concrete base as follows:
 - 1. Place and secure anchorage devices. Use supported equipment manufacturer's setting drawings, templates, diagrams, instructions, and directions furnished with items to be embedded.
 - 2. Install anchor bolts to elevations required for proper attachment to supported equipment.
 - 3. Install anchor bolts according to anchor-bolt manufacturer's written instructions.

3.5 PAINTING

- A. Touchup: Clean field welds and abraded areas of shop paint. Paint exposed areas immediately after erecting hangers and supports. Use same materials as used for shop painting. Comply with SSPC-PA 1 requirements for touching up field-painted surfaces.
 - 1. Apply paint by brush or spray to provide minimum dry film thickness of 2.0 mils (0.05 mm).
- B. Touchup: Comply with requirements in Section 09 91 13 "Exterior Painting", Section 099123 "Interior Painting" and Section 099600 "High-Performance Coatings" for cleaning and touchup painting of field welds, bolted connections, and abraded areas of shop paint on miscellaneous metal.
- C. Galvanized Surfaces: Clean welds, bolted connections, and abraded areas and apply galvanizing-repair paint to comply with ASTM A 780.

END OF SECTION

SECTION 26 05 33
RACEWAYS AND BOXES FOR ELECTRICAL SYSTEMS

PART 1 - GENERAL**1.1 RELATED DOCUMENTS**

- A. Drawings and general provisions of the Contract, including General and Supplementary Conditions and Division 01 Specification Sections, apply to this Section.

1.2 SUMMARY

- A. Section Includes:
 - 1. Metal conduits, tubing, and fittings.
 - 2. Nonmetal conduits, tubing, and fittings.
 - 3. Metal wireways and auxiliary gutters.
 - 4. Surface raceways.
 - 5. Boxes, enclosures, and cabinets.
 - 6. Handholes and boxes for exterior underground cabling.
- B. Related Requirements:
 - 1. Section 26 05 43 "Underground Ducts and Raceways for Electrical Systems" for exterior ductbanks, manholes, and underground utility construction.

1.3 DEFINITIONS

- A. ARC: Aluminum rigid conduit.
- B. GRC: Galvanized rigid steel conduit.
- C. IMC: Intermediate metal conduit.

1.4 ACTION SUBMITTALS

- A. Product Data: For color coded EMT conduit, surface raceways, wireways and fittings, floor boxes, hinged-cover enclosures, and cabinets.
- B. LEED Submittals:
 - 1. Product Data for Credit IEQ 4.1: For solvent cements and adhesive primers, documentation including printed statement of VOC content.
 - 2. Laboratory Test Reports for Credit IEQ 4: For solvent cements and adhesive primers, documentation indicating that products comply with the testing and product requirements of the California Department of Health Services' "Standard Practice for the Testing of Volatile Organic Emissions from Various Sources Using Small-Scale Environmental Chambers."
- C. Shop Drawings: For custom enclosures and cabinets. Include plans, elevations, sections, and attachment details.
- D. Samples: For receptacle raceways and for each color and texture specified, 12 inches (300 mm) long.

1.5 INFORMATIONAL SUBMITTALS

- A. Coordination Drawings: Conduit routing plans, drawn to scale, on which the following items are shown and coordinated with each other, using input from installers of items involved:
 - 1. Structural members in paths of conduit groups with common supports.
 - 2. HVAC and plumbing items and architectural features in paths of conduit groups with common supports.
- B. Qualification Data: For professional engineer.

- C. Seismic Qualification Certificates: For enclosures, cabinets, and conduit racks and their mounting provisions, including those for internal components, from manufacturer.
 - 1. Basis for Certification: Indicate whether withstand certification is based on actual test of assembled components or on calculation.
 - 2. Dimensioned Outline Drawings of Equipment Unit: Identify center of gravity and locate and describe mounting and anchorage provisions.
 - 3. Detailed description of equipment anchorage devices on which the certification is based and their installation requirements.
 - 4. Detailed description of conduit support devices and interconnections on which the certification is based and their installation requirements.
- D. Source quality-control reports.

PART 2 - PRODUCTS

2.1 METAL CONDUITS, TUBING, AND FITTINGS

- A. Listing and Labeling: Metal conduits, tubing, and fittings shall be listed and labeled as defined in NFPA 70, by a qualified testing agency, and marked for intended location and application.
- B. GRC: Comply with ANSI C80.1 and UL 6.
- C. ARC: Comply with ANSI C80.5 and UL 6A.
- D. IMC: Comply with ANSI C80.6 and UL 1242.
- E. EMT: Comply with ANSI C80.3 and UL 797. Factory applied color finish available in black, orange, green, purple, red, yellow, blue, and white. Refer to Specification Section 26 05 53 "Identification for Electrical Systems" for color coding of raceways.
- F. FMC: Comply with UL 1; zinc-coated steel.
- G. LFMC: Flexible steel conduit with PVC jacket and complying with UL 360.
- H. Fittings for Metal Conduit: Comply with NEMA FB 1 and UL 514B.
 - 1. Conduit Fittings for Hazardous (Classified) Locations: Comply with UL 886 and NFPA 70.
 - 2. Fittings for EMT:
 - a. Material: Steel.
 - b. Type: compression.
 - 3. Expansion Fittings: PVC or steel to match conduit type, complying with UL 651, rated for environmental conditions where installed, and including flexible external bonding jumper.
- I. Joint Compound for IMC, GRC, or ARC: Approved, as defined in NFPA 70, by authorities having jurisdiction for use in conduit assemblies, and compounded for use to lubricate and protect threaded conduit joints from corrosion and to enhance their conductivity.

2.2 NONMETALLIC CONDUITS, TUBING, AND FITTINGS

- A. Listing and Labeling: Nonmetallic conduits, tubing, and fittings shall be listed and labeled as defined in NFPA 70, by a qualified testing agency, and marked for intended location and application.
- B. RNC: Type EPC-40-PVC, complying with NEMA TC 2 and UL 651 unless otherwise indicated.
- C. LFNC: Comply with UL 1660.
- D. Continuous HDPE: Comply with UL 651B.
- E. RTRC: Comply with UL 1684A and NEMA TC 14.
- F. Fittings for RNC: Comply with NEMA TC 3; match to conduit or tubing type and material.

- G. Fittings for LFNC: Comply with UL 514B.
- H. Solvent cements and adhesive primers shall have a VOC content of 510 and 550 g/L or less, respectively, when calculated according to 40 CFR 59, Subpart D (EPA Method 24).
- I. Solvent cements and adhesive primers shall comply with the testing and product requirements of the California Department of Health Services' "Standard Practice for the Testing of Volatile Organic Emissions from Various Sources Using Small-Scale Environmental Chambers."

2.3 METAL WIREWAYS AND AUXILIARY GUTTERS

- A. Description: Sheet metal, complying with UL 870 and NEMA 250, Type 1 unless otherwise indicated, and sized according to NFPA 70.
 - 1. Metal wireways installed outdoors shall be listed and labeled as defined in NFPA 70, by a qualified testing agency, and marked for intended location and application.
- B. Fittings and Accessories: Include covers, couplings, offsets, elbows, expansion joints, adapters, hold-down straps, end caps, and other fittings to match and mate with wireways as required for complete system.
- C. Wireway Covers: Hinged type unless otherwise indicated.
- D. Finish: Manufacturer's standard enamel finish.

2.4 RECEPTACLE RACEWAYS

- A. Listing and Labeling: Receptacle raceways shall be listed and labeled as defined in NFPA 70, by a qualified testing agency, and marked for intended location and application.
- B. Surface Metal Raceways: Aluminum with snap-on covers complying with UL. Clear anodized finish.
 - 1. Raceways for receptacles only: Wiremold AL3300 series.
 - 2. Raceways for applications where both receptacles and data devices are installed in the raceway and at all laboratory locations: Wiremold ALA4800 series two-channel and dual-cover. Satin anodized finish.
 - 3. Provide duplex receptacles at 12 inches on center in all receptacle raceways. Provide GFCI receptacles as noted on drawings.

2.5 BOXES, ENCLOSURES, AND CABINETS

- A. General Requirements for Boxes, Enclosures, and Cabinets: Boxes, enclosures, and cabinets installed in wet locations shall be listed for use in wet locations.
- B. Sheet Metal Outlet and Device Boxes: Comply with NEMA OS 1 and UL 514A.
- C. Cast-Metal Outlet and Device Boxes: Comply with NEMA FB 1, aluminum, Type FD, with gasketed cover.
- D. Nonmetallic Outlet and Device Boxes: Comply with NEMA OS 2 and UL 514C.
- E. Floor Boxes and Poke-Through Devices: Refer to Specification Section 26 27 26 "Wiring Devices" for floor boxes and poke-through devices
- F. Luminaire Outlet Boxes: Nonadjustable, designed for attachment of luminaire weighing 50 lb (23 kg). Outlet boxes designed for attachment of luminaires weighing more than 50 lb (23 kg) shall be listed and marked for the maximum allowable weight.
- G. Small Sheet Metal Pull and Junction Boxes: NEMA OS 1.
- H. Cast-Metal Access, Pull, and Junction Boxes: Comply with NEMA FB 1 and UL 1773, cast aluminum with gasketed cover.
- I. Box extensions used to accommodate new building finishes shall be of same material as recessed box.

- J. Device Box Dimensions:
 - 1. Wiring Devices other than data or communications devices: Minimum 4 inches square by 2-1/8 inches deep with switch ring as required for the device configuration and wall or ceiling surface. Where light switches are indicated at a common location provide multi-gang boxes to accommodate the quantity and type of switches indicated. Where deeper boxes are required provide masonry type boxes which do not require a separate switch ring.
 - 2. Data and communications devices: Minimum 4-11/16 inches square by 3 inches deep with single-gang 5/8 inch deep (or deeper if wall or ceiling finish is deeper) ring.
- K. Pull boxes behind monitors: Minimum 6 inches square by 3-1/2 inches deep with two-gang ring.
- L. Gangable boxes are prohibited.
- M. Partitions: Provide partitions to separate emergency system conductors from conductors or other systems, where voltage between adjacent switches exceeds 300 volts and where switches controlling Low Voltage Controllers for interface to Nurse Call systems are installed in common boxes with line voltage switches.
- N. Hinged-Cover Enclosures: Comply with UL 50 and NEMA 250.
 - 1. Indoor: Type 1 with continuous-hinge cover with flush latch unless otherwise indicated. Steel, finished inside and out with manufacturer's standard enamel.
 - 2. Outdoor: Type 4X with continuous-hinge cover with flush latch unless otherwise indicated. 304 stainless steel with smooth brushed finish.
 - 3. Interior Panels: Steel; all sides finished with manufacturer's standard enamel. Provide interior panels when there are control devices or power blocks located inside the enclosure.
- O. Handholes and Boxes for Exterior Underground Wiring: Refer to Specification Section 26 05 43 "Underground Ducts and Raceways for Electrical Systems".

2.6 PUTTY PADS

- A. Moldable intumescent wall opening-protective pads designed for application to the back of electrical outlet boxes prior to installation of the wall finish to provide up to 2-hour fire barrier ratings and minimum Sound Transmission Class (STC) of 52 when tested in an STC-53 rated wall assembly or 59 according to ASTM E90-97.
- B. Manufacturers: Subject to compliance with requirements, provide products by one of the following:
 - 1. 3M Company.
 - 2. Hilti

PART 3 - EXECUTION

3.1 RACEWAY APPLICATION

- A. Outdoors: Apply raceway products as specified below unless otherwise indicated:
 - 1. Exposed Conduit: GRC or IMC.
 - 2. Concealed Conduit, Aboveground: EMT.
 - 3. Underground Conduit for branch circuits: RNC, Type EPC-40-PVC, direct buried.
 - 4. Underground Conduit for feeders: Refer to Specification Section 26 05 43 "Underground Ducts and Raceways for Electrical Systems".
 - 5. Raceways Embedded in slabs or composite steel and concrete decks are prohibited.
 - 6. Connection to Vibrating Equipment (Including Transformers and Hydraulic, Pneumatic, Electric Solenoid, or Motor-Driven Equipment): LFMC.
 - 7. Boxes and Enclosures, Aboveground: NEMA 250, Type 4X, 304 stainless steel.
- B. Indoors: Apply raceway products as specified below unless otherwise indicated:
 - 1. Exposed, Not Subject to Physical Damage: EMT.
 - 2. Exposed, Not Subject to Severe Physical Damage: EMT.

3. Exposed and Subject to Severe Physical Damage: GRC or IMC. Raceway locations include the following:
 - a. Loading dock.
 - b. Corridors used for traffic of mechanized carts, forklifts, and pallet-handling units.
 - c. Mechanical rooms below 8 feet.
 - d. Gymnasiums.
 4. Concealed in Ceilings and Interior Walls and Partitions: EMT.
 5. Feeder Raceways under Slabs: RNC, Type EPC-40-PVC encased in not less than 2 inches of 3000 psi concrete. Change from RNC, Type EPC-40-PVC to GRC or IMC before rising above floor.
 6. Branch Circuit Raceways under Slabs: Refer to Specifications Section 26 05 19 "Low-Voltage Electrical Power Conductors and Cables" for allowable application of under slab raceways. RNC, Type EPC-40-PVC direct buried. Change from RNC, Type EPC-40-PVC to GRC or IMC before rising above floor.
 7. Raceways Embedded in slabs or composite steel and concrete decks are prohibited.
 8. Connection to Vibrating Equipment (Including Transformers and Hydraulic, Pneumatic, Electric Solenoid, or Motor-Driven Equipment): FMC, except use LFMC in damp or wet locations.
 9. Damp or Wet Locations: GRC or IMC.
 10. Boxes and Enclosures: NEMA 250, Type 1, except use NEMA 250, Type 4X, 304 stainless steel in kitchens and damp or wet locations.
 - 11.
- C. Minimum Raceway Size: 3/4-inch (21-mm) trade size.
- D. Raceway Fittings: Compatible with raceways and suitable for use and location.
1. Rigid and Intermediate Steel Conduit: Use threaded rigid steel conduit fittings unless otherwise indicated. Comply with NEMA FB 2.10.
 2. EMT: Use setscrew or compression, steel fittings. Comply with NEMA FB 2.10.
 3. Flexible Conduit: Use only fittings listed for use with flexible conduit. Comply with NEMA FB 2.20.
- E. Install nonferrous conduit or tubing for circuits operating above 60 Hz. Where aluminum raceways are installed for such circuits and pass through concrete, install in nonmetallic sleeve.
- F. Do not install aluminum conduits, boxes, or fittings in contact with concrete or earth.
- G. Install surface raceways only where indicated on Drawings.

3.2 INSTALLATION

- A. Comply with NECA 1 and NECA 101 for installation requirements except where requirements on Drawings or in this article are stricter. Comply with NECA 102 for aluminum conduits. Comply with NFPA 70 limitations for types of raceways allowed in specific occupancies and number of floors.
- B. Separation of Life Safety and Critical Branch Wiring: Comply with NFPA 70 Article 517.
- C. Keep raceways at least 6 inches (150 mm) away from parallel runs of flues and steam or hot-water pipes. Install horizontal raceway runs above water and steam piping.
- D. Complete raceway installation before starting conductor installation.
- E. Comply with requirements in Section 26 05 29 "Hangers and Supports for Electrical Systems" for hangers and supports.
- F. Arrange stub-ups so curved portions of bends are not visible above finished slab except where concealed in chases.
- G. Install no more than the equivalent of three 90-degree bends in any conduit run except for control wiring conduits, for which fewer bends are allowed. Support within 12 inches (300 mm) of changes in direction.

- H. Conceal conduit and EMT within finished walls, ceilings, and floors unless otherwise indicated. Install conduits parallel or perpendicular to building lines.
- I. Support conduit within 12 inches (300 mm) of enclosures to which attached.
- J. Raceways Embedded in Slabs are prohibited.
- K. Stub-ups to Above Recessed Ceilings:
 - 1. Use EMT, IMC, or RMC for raceways.
 - 2. Use a conduit bushing or insulated fitting to terminate stub-ups not terminated in hubs or in an enclosure.
- L. Threaded Conduit Joints, Exposed to Wet, Damp, Corrosive, or Outdoor Conditions: Apply listed compound to threads of raceway and fittings before making up joints. Follow compound manufacturer's written instructions.
- M. Coat field-cut threads on PVC-coated raceway with a corrosion-preventing conductive compound prior to assembly.
- N. Raceway Terminations at Locations Subject to Moisture or Vibration: Use insulating bushings to protect conductors including conductors smaller than No. 4 AWG.
- O. Terminate threaded conduits into threaded hubs or with locknuts on inside and outside of boxes or cabinets. Install bushings on conduits up to 1-1/4-inch (35mm) trade size and insulated throat metal bushings on 1-1/2-inch (41-mm) trade size and larger conduits terminated with locknuts. Install insulated throat metal grounding bushings on service conduits.
- P. Install raceways square to the enclosure and terminate at enclosures with locknuts. Install locknuts hand tight plus 1/4 turn more.
- Q. Do not rely on locknuts to penetrate nonconductive coatings on enclosures. Remove coatings in the locknut area prior to assembling conduit to enclosure to assure a continuous ground path.
- R. Cut conduit perpendicular to the length. For conduits 2-inch (53-mm) trade size and larger, use roll cutter or a guide to make cut straight and perpendicular to the length.
- S. Install pull wires in empty raceways. Use polypropylene or monofilament plastic line with not less than 200-lb (90-kg) tensile strength. Leave at least 12 inches (300 mm) of slack at each end of pull wire. Cap underground raceways designated as spare above grade alongside raceways in use.
- T. Surface Raceways:
 - 1. Install surface raceway with a minimum 2-inch (50-mm) radius control at bend points.
 - 2. Secure surface raceway with screws or other anchor-type devices at intervals not exceeding 48 inches (1200 mm) and with no less than two supports per straight raceway section. Support surface raceway according to manufacturer's written instructions. Tape and glue are not acceptable support methods.
- U. Install raceway sealing fittings at accessible locations according to NFPA 70 and fill them with listed sealing compound. For concealed raceways, install each fitting in a flush steel box with a blank cover plate having a finish similar to that of adjacent plates or surfaces. Install raceway sealing fittings according to NFPA 70.
- V. Install devices to seal raceway interiors at accessible locations. Locate seals so no fittings or boxes are between the seal and the following changes of environments. Seal the interior of all raceways at the following points:
 - 1. Where conduits pass from warm to cold locations, such as boundaries of refrigerated spaces.
 - 2. Where an underground service raceway enters a building or structure.
 - 3. Where otherwise required by NFPA 70.
- W. Comply with manufacturer's written instructions for solvent welding RNC and fittings.
- X. Expansion (Seismic)-Joint Fittings:

1. Install flexible metal conduit at all locations where conduits cross building or structure expansion joints. Allow for minimum 4 inches deflection in all directions or greater if expansion joint exceeds 4 inches. Provide droop in flexible conduit to accommodate movement. Do not loop the flexible conduit. When calculating total bend degrees in conduit runs with expansion fittings use minimum 60 degrees for each expansion-joint fitting
 2. Install each expansion-joint fitting with position, mounting, and piston setting selected according to manufacturer's written instructions for conditions at specific location at time of installation. Install conduit supports to allow for expansion movement.
- Y. Flexible Conduit Connections: Comply with NEMA RV 3. Use a maximum of 72 inches (1830 mm) of flexible conduit for recessed and semi-recessed luminaires, equipment subject to vibration, noise transmission, or movement; and for transformers and motors.
1. Use LFMC in damp or wet locations.
- Z. Mount boxes at heights indicated on Drawings. If mounting heights of boxes are not individually indicated, give priority to ADA requirements. Install boxes with height measured to center of box unless otherwise indicated.
- AA. Recessed Boxes in Masonry Walls: Saw-cut opening for box in center of cell of masonry block, and install box flush with surface of wall. Prepare block surfaces to provide a flat surface for a raintight connection between box and cover plate or supported equipment and box.
- BB. Horizontally separate boxes mounted on opposite sides of walls so they are not in the same vertical channel.
- CC. Locate boxes so that cover or plate will not span different building finishes.
- DD. Support boxes of three gangs or more from more than one side by spanning two framing members or mounting on brackets specifically designed for the purpose.
- EE. Fasten junction and pull boxes to or support from building structure. Do not support boxes by conduits.
- FF. Set metal floor boxes level and flush with finished floor surface.
- GG. Set nonmetallic floor boxes level. Trim after installation to fit flush with finished floor surface.

3.3 SLEEVE AND SLEEVE-SEAL INSTALLATION FOR ELECTRICAL PENETRATIONS

- A. Install sleeves and sleeve seals at penetrations of exterior floor and wall assemblies. Comply with requirements in Section 26 05 44 "Sleeves and Sleeve Seals for Electrical Raceways and Cabling."

3.4 FIRESTOPPING AND SOUND TRANSMISSION MITIGATION

- A. Install firestopping at penetrations of fire-rated floor and wall assemblies. Comply with requirements in Section 07 84 13 "Penetration Firestopping."
- B. Install putty pads with acoustical and firestopping capabilities on all boxes that are installed in wall or partition cavities and in gypsum board ceilings.

3.5 PROTECTION

- A. Protect coatings, finishes, and cabinets from damage and deterioration.
 1. Repair damage to galvanized finishes with zinc-rich paint recommended by manufacturer.
 2. Repair damage to PVC coatings or paint finishes with matching touchup coating recommended by manufacturer.

END OF SECTION

SECTION 26 05 44**SLEEVES AND SLEEVE SEALS FOR ELECTRICAL RACEWAYS AND CABLING****PART 1 - GENERAL****1.1 RELATED DOCUMENTS**

- A. Drawings and general provisions of the Contract, including General and Supplementary Conditions and Division 01 Specification Sections, apply to this Section.

1.2 SUMMARY

- A. Section Includes:
 - 1. Sleeves for raceway and cable penetration of non-fire-rated construction walls and floors.
 - 2. Sleeve-seal systems.
 - 3. Sleeve-seal fittings.
 - 4. Grout.
 - 5. Silicone sealants.
- B. Related Requirements:
 - 1. Section 07 84 13 "Penetration Firestopping" for penetration firestopping installed in fire-resistance-rated walls, horizontal assemblies, and smoke barriers, with and without penetrating items.

1.3 ACTION SUBMITTALS

- A. Product Data: For each type of product.
- B. LEED Submittals:
 - 1. Product Data for Credit EQ 4.1: For sealants, documentation including printed statement of VOC content.
 - 2. Laboratory Test Reports for Credit EQ 4: For sealants, documentation indicating that products comply with the testing and product requirements of the California Department of Health Services' "Standard Practice for the Testing of Volatile Organic Emissions from Various Sources Using Small-Scale Environmental Chambers."

PART 2 - PRODUCTS**2.1 SLEEVES**

- A. Wall Sleeves:
 - 1. Steel Pipe Sleeves: ASTM A 53/A 53M, Type E, Grade B, Schedule 40, zinc coated, plain ends.
 - 2. Cast-Iron Pipe Sleeves: Cast or fabricated "wall pipe," equivalent to ductile-iron pressure pipe, with plain ends and integral waterstop unless otherwise indicated.
- B. Sleeves for Conduits Penetrating Non-Fire-Rated Gypsum Board Assemblies: Galvanized-steel sheet; 0.0239-inch (0.6-mm) minimum thickness; round tube closed with welded longitudinal joint, with tabs for screw-fastening the sleeve to the board.
- C. PVC-Pipe Sleeves: ASTM D 1785, Schedule 40.
- D. Molded-PVC Sleeves: With nailing flange for attaching to wooden forms.
- E. Molded-PE or -PP Sleeves: Removable, tapered-cup shaped, and smooth outer surface with nailing flange for attaching to wooden forms.
- F. Sleeves for Rectangular Openings:

1. Material: Galvanized sheet steel.
2. Minimum Metal Thickness:
 - a. For sleeve cross-section rectangle perimeter less than 50 inches (1270 mm) and with no side larger than 16 inches (400 mm), thickness shall be 0.052 inch (1.3 mm).
 - b. For sleeve cross-section rectangle perimeter 50 inches (1270 mm) or more and one or more sides larger than 16 inches (400 mm), thickness shall be 0.138 inch (3.5 mm).

2.2 SLEEVE-SEAL SYSTEMS

- A. Description: Modular sealing device, designed for field assembly, to fill annular space between sleeve and raceway or cable.
1. Sealing Elements: EPDM rubber interlocking links shaped to fit surface of pipe. Include type and number required for pipe material and size of pipe.
 2. Pressure Plates: Stainless steel.
 3. Connecting Bolts and Nuts: Stainless steel of length required to secure pressure plates to sealing elements.

2.3 SLEEVE-SEAL FITTINGS

- A. Description: Manufactured plastic, sleeve-type, waterstop assembly made for embedding in concrete slab or wall. Unit shall have plastic or rubber waterstop collar with center opening to match piping OD.

2.4 GROUT

- A. Description: Nonshrink; recommended for interior and exterior sealing openings in non-fire-rated walls or floors.
- B. Standard: ASTM C 1107/C 1107M, Grade B, post-hardening and volume-adjusting, dry, hydraulic-cement grout.
- C. Design Mix: 5000-psi (34.5-MPa), 28-day compressive strength.
- D. Packaging: Premixed and factory packaged.

2.5 SILICONE SEALANTS

- A. Silicone Sealants: Single-component, silicone-based, neutral-curing elastomeric sealants of grade indicated below.
1. Grade: Pourable (self-leveling) formulation for openings in floors and other horizontal surfaces that are not fire rated.
 2. Sealant shall have VOC content of 50 g/L or less when calculated according to 40 CFR 59, Subpart D (EPA Method 24).
 3. Sealant shall comply with the testing and product requirements of the California Department of Health Services' "Standard Practice for the Testing of Volatile Organic Emissions from Various Sources Using Small-Scale Environmental Chambers."
- B. Silicone Foams: Multicomponent, silicone-based liquid elastomers that, when mixed, expand and cure in place to produce a flexible, nonshrinking foam.

PART 3 - EXECUTION

3.1 SLEEVE INSTALLATION FOR NON-FIRE-RATED ELECTRICAL PENETRATIONS

- A. Comply with NECA 1.
- B. Comply with NEMA VE 2 for cable tray and cable penetrations.
- C. Sleeves for Conduits Penetrating Above-Grade Non-Fire-Rated Concrete and Masonry-Unit Floors and Walls:
1. Interior Penetrations of Non-Fire-Rated Walls and Floors:

- a. Seal annular space between sleeve and raceway or cable, using joint sealant appropriate for size, depth, and location of joint. Comply with requirements in Section 079200 "Joint Sealants."
 - b. Seal space outside of sleeves with mortar or grout. Pack sealing material solidly between sleeve and wall so no voids remain. Tool exposed surfaces smooth; protect material while curing.
 2. Use pipe sleeves unless penetration arrangement requires rectangular sleeved opening.
 3. Size pipe sleeves to provide 1/4-inch (6.4-mm) annular clear space between sleeve and raceway or cable unless sleeve seal is to be installed or unless seismic criteria require different clearance.
 4. Install sleeves for wall penetrations unless core-drilled holes or formed openings are used. Install sleeves during erection of walls. Cut sleeves to length for mounting flush with both surfaces of walls. Deburr after cutting.
 5. Install sleeves for floor penetrations. Extend sleeves installed in floors 4 inches above finished floor level. Install sleeves during erection of floors.
- D. Sleeves for Conduits Penetrating Non-Fire-Rated Gypsum Board Assemblies:
1. Use circular metal sleeves unless penetration arrangement requires rectangular sleeved opening.
 2. Seal space outside of sleeves with approved joint compound for gypsum board assemblies.
- E. Roof-Penetration Sleeves: Seal penetration of individual raceways and cables with flexible boot-type flashing units applied in coordination with roofing work.
- F. Aboveground, Exterior-Wall Penetrations: Seal penetrations using cast-iron pipe sleeves and mechanical sleeve seals. Select sleeve size to allow for 1-inch (25-mm) annular clear space between pipe and sleeve for installing mechanical sleeve seals.
- G. Underground, Exterior-Wall and Floor Penetrations: Install cast-iron pipe sleeves. Size sleeves to allow for 1-inch (25-mm) annular clear space between raceway or cable and sleeve for installing sleeve-seal system.

3.2 SLEEVE-SEAL-SYSTEM INSTALLATION

- A. Install sleeve-seal systems in sleeves in exterior concrete walls and slabs-on-grade at raceway entries into building.
- B. Install type and number of sealing elements recommended by manufacturer for raceway or cable material and size. Position raceway or cable in center of sleeve. Assemble mechanical sleeve seals and install in annular space between raceway or cable and sleeve. Tighten bolts against pressure plates that cause sealing elements to expand and make watertight seal.

3.3 SLEEVE-SEAL-FITTING INSTALLATION

- A. Install sleeve-seal fittings in new walls and slabs as they are constructed.
- B. Assemble fitting components of length to be flush with both surfaces of concrete slabs and walls. Position waterstop flange to be centered in concrete slab or wall.
- C. Secure nailing flanges to concrete forms.
- D. Using grout, seal the space around outside of sleeve-seal fittings.

END OF SECTION

SECTION 26 05 48**VIBRATION AND SEISMIC CONTROLS FOR ELECTRICAL SYSTEMS****PART 1 - GENERAL****1.1 RELATED DOCUMENTS**

- A. Drawings and general provisions of the Contract, including General and Supplementary Conditions and Division 01 Specification Sections, apply to this Section.

1.2 SUMMARY

- A. Section Includes:
1. Restraint channel bracings.
 2. Restraint cables.
 3. Seismic-restraint accessories.
 4. Mechanical anchor bolts.
 5. Adhesive anchor bolts.
- B. Related Requirements:
1. Section 26 05 29 "Hangers and Supports for Electrical Systems" for commonly used electrical supports and installation requirements.

1.3 ACTION SUBMITTALS

- A. Product Data: For each type of product.
1. Illustrate and indicate style, material, strength, fastening provision, and finish for each type and size of seismic-restraint component used.
 - a. Tabulate types and sizes of seismic restraints, complete with report numbers and rated strength in tension and shear as evaluated by an evaluation service member of ICC-ES.
 - b. Annotate to indicate application of each product submitted and compliance with requirements.
- B. Delegated-Design Submittal: For each seismic-restraint device.
1. Include design calculations and details for selecting seismic restraints complying with performance requirements, design criteria, and analysis data signed and sealed by the qualified professional engineer responsible for their preparation.
 2. Design Calculations: Calculate static and dynamic loading caused by equipment weight, operation, and seismic forces required to select seismic restraints and for designing vibration isolation bases.
 - a. Coordinate design calculations with wind load calculations required for equipment mounted outdoors. Comply with requirements in other Sections for equipment mounted outdoors.
 3. Seismic-Restraint Details:
 - a. Design Analysis: To support selection and arrangement of seismic restraints. Include calculations of combined tensile and shear loads.
 - b. Details: Indicate fabrication and arrangement. Detail attachments of restraints to the restrained items and to the structure. Show attachment locations, methods, and spacings. Identify components, list their strengths, and indicate directions and values of forces transmitted to the structure during seismic events. Indicate association with vibration isolation devices.
 - c. Coordinate seismic-restraint and vibration isolation details with wind-restraint details required for equipment mounted outdoors. Comply with requirements in other Sections for equipment mounted outdoors.
 - d. Preapproval and Evaluation Documentation: By an evaluation service member of ICC-ES, showing maximum ratings of restraint items and the basis for approval (tests or calculations).

1.4 INFORMATIONAL SUBMITTALS

- A. Coordination Drawings: Show coordination of seismic bracing for electrical components with other systems and equipment in the vicinity, including other supports and seismic restraints.
- B. Qualification Data: For professional engineer.
- C. Welding certificates.
- D. Field quality-control reports.

1.5 QUALITY ASSURANCE

- A. Comply with seismic-restraint requirements in the IBC unless requirements in this Section are more stringent.
- B. Welding Qualifications: Qualify procedures and personnel according to AWS D1.1/D1.1M, "Structural Welding Code - Steel."
- C. Seismic-restraint devices shall have horizontal and vertical load testing and analysis. They shall bear anchorage preapproval, showing maximum seismic-restraint ratings, by ICC-ES or another agency acceptable to authorities having jurisdiction. Ratings based on independent testing are preferred to ratings based on calculations. If preapproved ratings are not available, submittals based on independent testing are preferred. Calculations (including combining shear and tensile loads) that support seismic-restraint designs must be signed and sealed by a qualified professional engineer.
- D. Comply with NFPA 70.

PART 2 - PRODUCTS**2.1 PERFORMANCE REQUIREMENTS**

- A. Seismic-Restraint Loading: Refer to Structural criteria for the project.

2.2 RESTRAINT CHANNEL BRACINGS

- A. Description: MFMA-4, shop- or field-fabricated bracing assembly made of slotted steel channels with accessories for attachment to braced component at one end and to building structure at the other end, with other matching components, and with corrosion-resistant coating; rated in tension, compression, and torsion forces.

2.3 RESTRAINT CABLES

- A. Restraint Cables: ASTM A 492 stainless-steel cables. End connections made of steel assemblies with thimbles, brackets, swivel, and bolts designed for restraining cable service; with a minimum of two clamping bolts for cable engagement.

2.4 SEISMIC-RESTRAINT ACCESSORIES

- A. Hanger-Rod Stiffener: Steel tube or steel slotted-support-system sleeve with internally bolted connections to hanger rod.
- B. Hinged and Swivel Brace Attachments: Multifunctional steel connectors for attaching hangers to rigid channel bracings and restraint cables.
- C. Bushings for Floor-Mounted Equipment Anchor Bolts: Neoprene bushings designed for rigid equipment mountings and matched to type and size of anchor bolts and studs.
- D. Bushing Assemblies for Wall-Mounted Equipment Anchorage: Assemblies of neoprene elements and steel sleeves designed for rigid equipment mountings and matched to type and size of attachment devices used.
- E. Resilient Isolation Washers and Bushings: One-piece, molded, oil- and water-resistant neoprene, with a flat washer face.

2.5 MECHANICAL ANCHOR BOLTS

- A. Mechanical Anchor Bolts: Drilled-in and stud-wedge or female-wedge type in zinc-coated steel for interior applications and stainless steel for exterior applications. Select anchor bolts with strength required for anchor and as tested according to ASTM E 488.

2.6 ADHESIVE ANCHOR BOLTS

- A. Adhesive Anchor Bolts: Drilled-in and capsule anchor system containing PVC or urethane methacrylate-based resin and accelerator, or injected polymer or hybrid mortar adhesive. Provide anchor bolts and hardware with zinc-coated steel for interior applications and stainless steel for exterior applications. Select anchor bolts with strength required for anchor and as tested according to ASTM E 488.

PART 3 - EXECUTION**3.1 EXAMINATION**

- A. Examine areas and equipment to receive vibration isolation and seismic-control devices for compliance with requirements for installation tolerances and other conditions affecting performance of the Work.
- B. Examine roughing-in for reinforcement and cast-in-place anchors to verify actual locations before installation.
- C. Proceed with installation only after unsatisfactory conditions have been corrected.

3.2 APPLICATIONS

- A. Multiple Raceways or Cables: Secure raceways and cables to trapeze member with clamps approved for application by an evaluation service member of ICC-ES.
- B. Hanger-Rod Stiffeners: Install hanger-rod stiffeners where indicated or scheduled on Drawings to receive them and where required to prevent buckling of hanger rods caused by seismic forces.
- C. Strength of Support and Seismic-Restraint Assemblies: Where not indicated, select sizes of components so strength will be adequate to carry present and future static and seismic loads within specified loading limits.

3.3 SEISMIC-RESTRAINT DEVICE INSTALLATION

- A. Coordinate the location of embedded connection hardware with supported equipment attachment and mounting points and with requirements for concrete reinforcement and formwork specified in Section 03 30 00 "Cast-in-Place Concrete" and Section 03 30 53 "Miscellaneous Cast-in-Place Concrete."
- B. Equipment and Hanger Restraints:
 - 1. Install resilient, bolt-isolation washers on equipment anchor bolts where clearance between anchor and adjacent surface exceeds 0.125 inch (3.2 mm).
 - 2. Install seismic-restraint devices using methods approved by an evaluation service member of ICC-ES providing required submittals for component.
- C. Install cables so they do not bend across edges of adjacent equipment or building structure.
- D. Install bushing assemblies for mounting bolts for wall-mounted equipment, arranged to provide resilient media where equipment or equipment-mounting channels are attached to wall.
- E. Attachment to Structure: If specific attachment is not indicated, anchor bracing to structure at flanges of beams, at upper truss chords of bar joists, or at concrete members.
- F. Drilled-in Anchors:

1. Identify position of reinforcing steel and other embedded items prior to drilling holes for anchors. Do not damage existing reinforcing or embedded items during coring or drilling. Notify the structural engineer if reinforcing steel or other embedded items are encountered during drilling. Locate and avoid prestressed tendons, electrical and telecommunications conduit, and gas lines.
2. Do not drill holes in concrete or masonry until concrete, mortar, or grout has achieved full design strength.
3. Wedge Anchors: Protect threads from damage during anchor installation. Heavy-duty sleeve anchors shall be installed with sleeve fully engaged in the structural element to which anchor is to be fastened.
4. Adhesive Anchors: Clean holes to remove loose material and drilling dust prior to installation of adhesive. Place adhesive in holes proceeding from the bottom of the hole and progressing toward the surface in such a manner as to avoid introduction of air pockets in the adhesive.
5. Set anchors to manufacturer's recommended torque using a torque wrench.
6. Install zinc-coated steel anchors for interior and stainless-steel anchors for exterior applications.

3.4 ACCOMMODATION OF DIFFERENTIAL SEISMIC MOTION

- A. Install flexible connections in runs of raceways, cables, wireways, cable trays, and busways where they cross seismic joints, where adjacent sections or branches are supported by different structural elements, and where connection is terminated to equipment that is anchored to a different structural element from the one supporting them as they approach equipment.

3.5 FIELD QUALITY CONTROL

- A. Perform the following tests and inspections:
 1. Provide evidence of recent calibration of test equipment by a testing agency acceptable to authorities having jurisdiction.
 2. Schedule test with Owner, through Architect, before connecting anchorage device to restrained component (unless postconnection testing has been approved), and with at least seven days' advance notice.
 3. Obtain Architect's approval before transmitting test loads to structure. Provide temporary load-spreading members.
 4. Test at least four of each type and size of installed anchors and fasteners selected by Architect.
 5. Test to 90 percent of rated proof load of device.
- B. Seismic controls will be considered defective if they do not pass tests and inspections.
- C. Prepare test and inspection reports.

3.6 ADJUSTING

- A. Adjust restraints to permit free movement of equipment within normal mode of operation.

END OF SECTION

SECTION 26 05 53

IDENTIFICATION FOR ELECTRICAL SYSTEMS

PART 1 - GENERAL

1.1 RELATED DOCUMENTS

- A. Drawings and general provisions of the Contract, including General and Supplementary Conditions and Division 01 Specification Sections, apply to this Section.

1.2 SUMMARY

- A. Section Includes:
 - 1. Identification for raceways.
 - 2. Identification of power and control cables.
 - 3. Identification for conductors.
 - 4. Underground-line warning tape.
 - 5. Warning labels and signs.
 - 6. Instruction signs.
 - 7. Equipment identification labels, including arc-flash warning labels.
 - 8. Miscellaneous identification products.

1.3 ACTION SUBMITTALS

- A. Product Data: For each type of product.
 - 1. Include construction details, material descriptions, dimensions of individual components and profiles, and finishes for electrical identification products.
- B. Samples: For each type of label and sign to illustrate composition, size, colors, lettering style, mounting provisions, and graphic features of identification products.
- C. Identification Schedule: For each piece of electrical equipment and electrical system components to be an index of nomenclature for electrical equipment and system components used in identification signs and labels. Use same designations indicated on Drawings.
- D. Delegated-Design Submittal: For arc-flash hazard study.

PART 2 - PRODUCTS

2.1 PERFORMANCE REQUIREMENTS

- A. Comply with ASME A13.1 and IEEE C2.
- B. Comply with NFPA 70.
- C. Comply with 29 CFR 1910.144 and 29 CFR 1910.145.
- D. Comply with ANSI Z535.4 for safety signs and labels.
- E. Adhesive-attached labeling materials, including label stocks, laminating adhesives, and inks used by label printers, shall comply with UL 969.
- F. Thermal Movements: Allow for thermal movements from ambient and surface temperature changes.
 - 1. Temperature Change: 120 deg F (67 deg C), ambient; 180 deg F (100 deg C), material surfaces.

2.2 COLOR AND LEGEND REQUIREMENTS

- A. Use the following color code for all electrical equipment that is specified to be labeled:
 - 1. Standby Power Circuits: Black letters on red field.
 - 2. Life Safety Branch Circuits: White letters on orange Field

3. Critical Branch Circuits: White letters on red Field
 4. Equipment System Circuits: White letters on green field.
 5. Normal Power Circuits: White letters on black field.
 6. Uninterruptible Power Supply (UPS): White letters on gray field.
 7. Fire Alarm: Red letters on white field.
 8. Communications: White letters on blue field.
- B. Warning labels and signs shall include, but are not limited to, the following legends:
1. Multiple Power Source Warning: "DANGER - ELECTRICAL SHOCK HAZARD - EQUIPMENT HAS MULTIPLE POWER SOURCES."
 2. Workspace Clearance Warning: "WARNING - OSHA REGULATION - AREA IN FRONT OF ELECTRICAL EQUIPMENT MUST BE KEPT CLEAR FOR XX INCHES" where XX is replaced by the clearance requirements of NFPA 70.
- C. Raceways:
1. Labeling: Black on orange. Include system voltage and type.
 2. Color Coding for Raceways:
 - a. Fire Alarm: Red
 - b. Fire Dampers: Blue

2.3 LABELS

- A. Vinyl Labels for Raceways Carrying Circuits at 600 V or Less: printed, flexible labels laminated with a clear, weather- and chemical-resistant coating and matching wraparound clear adhesive tape for securing label ends.
- B. Indoor Equipment Labels: Self-adhesive, engraved, laminated acrylic or melamine plastic label. Unless otherwise indicated, provide a single line of text with 1/2-inch- (13-mm-) high letters on 1-1/2-inch- (38-mm-) high label; where two lines of text are required, use labels 2 inches (50 mm) high. Color coded as indicated in Color and Legend Requirements.
- C. Outdoor Equipment: Engraved, laminated acrylic or melamine plastic label, punched or drilled for mechanical fasteners. Unless otherwise indicated, provide a single line of text with 1/2-inch- (13-mm-) high letters on 1-1/2-inch- (38-mm-) high label; where two lines of text are required, use labels 2 inches (50 mm) high. Color coded as indicated in Color and Legend Requirements.

2.4 BANDS AND TUBES:

- A. Snap-Around, Color-Coding Bands for Cables: Slit, pretensioned, flexible, solid-colored acrylic sleeves, 2 inches (50 mm) long, with diameters sized to suit diameters of raceways or cables they identify, and that stay in place by gripping action.

2.5 TAPES AND STENCILS:

- A. Marker Tapes: Vinyl or vinyl-cloth, self-adhesive wraparound type, with circuit identification legend machine printed by thermal transfer or equivalent process.

2.6 SIGNS

- A. Laminated Acrylic or Melamine Plastic Signs:
1. Engraved legend.
 2. Thickness:
 - a. For signs up to 20 sq. inches (129 sq. cm), minimum 1/16-inch- (1.6-mm-).
 - b. For signs larger than 20 sq. inches (129 sq. cm), 1/8 inch (3.2 mm) thick.
 - c. Engraved legend with white letters on a dark grey background.
 - d. Punched or drilled for mechanical fasteners.
 - e. Framed with mitered acrylic molding and arranged for attachment at applicable equipment.

2.7 MISCELLANEOUS IDENTIFICATION PRODUCTS

- A. Paint: Comply with requirements in painting Sections for paint materials and application requirements. Retain paint system applicable for surface material and location (exterior or interior).
- B. Fasteners for Labels and Signs: Self-tapping, stainless-steel screws or stainless-steel machine screws with nuts and flat and lock washers.

PART 3 - EXECUTION

3.1 PREPARATION

- A. Self-Adhesive Identification Products: Before applying electrical identification products, clean substrates of substances that could impair bond, using materials and methods recommended by manufacturer of identification product.

3.2 INSTALLATION

- A. Verify and coordinate identification names, abbreviations, colors, and other features with requirements in other Sections requiring identification applications, Drawings, Shop Drawings, manufacturer's wiring diagrams, and operation and maintenance manual. Use consistent designations throughout Project.
- B. Install identifying devices before installing acoustical ceilings and similar concealment.
- C. Verify identity of each item before installing identification products.
- D. Install identification materials and devices at locations for most convenient viewing without interference with operation and maintenance of equipment. Install access doors or panels to provide view of identifying devices.
- E. Apply identification devices to surfaces that require finish after completing finish work.
- F. Attach signs and plastic labels that are not self-adhesive type with mechanical fasteners appropriate to the location and substrate.
- G. Attach plastic raceway and cable labels that are not self-adhesive type with clear vinyl tape, with adhesive appropriate to the location and substrate.
- H. System Identification for Feeder Raceways: Each color-coding band shall completely encircle cable or conduit. Place adjacent bands of two-color markings in contact, side by side. Locate bands at changes in direction, at penetrations of walls and floors, at 50-foot (15-m) maximum intervals in straight runs, and at 25-foot (7.6-m) maximum intervals in congested areas.
- I. During backfilling of trenches, install continuous underground-line warning tape directly above cable or raceway at 6 to 8 inches (150 to 200 mm) below finished grade. Use multiple tapes where width of multiple lines installed in a common trench [or concrete envelope]exceeds 16 inches (400 mm) overall.

3.3 IDENTIFICATION SCHEDULE

- A. Accessible Raceways, including above accessible ceilings, for all Feeder Circuits and for Branch Circuit rated more than 30A: Identify with self-adhesive vinyl label. Install labels at 30-foot (10-m) maximum intervals.
- B. Accessible Raceways and Cables, including above accessible ceilings, within Buildings: Identify the covers of each junction and pull box of the following systems with self-adhesive vinyl labels containing the wiring system legend and system voltage. System legends shall be as follows:
 - 1. Standby Power
 - 2. Life Safety Branch
 - 3. Critical Branch
 - 4. Equipment System

5. Normal Power
 6. UPS
 7. Fire Alarm
 8. Communications
 9. Access Control
- C. Power-Circuit Conductor Identification, 600 V or Less: For conductors in vaults, pull and junction boxes, manholes, and handholes, use color-coding conductor tape to identify the phase.
1. Grounded Systems: Color-Coding for Phase-, Neutral- and Voltage-Level Identification: Use colors listed below for feeder and branch-circuit conductors.
 - a. Colors for 208/120-V Circuits:
 - 1) Phase A: Black.
 - 2) Phase B: Red.
 - 3) Phase C: Blue.
 - 4) Feeder Neutral: White
 - 5) Branch Circuit Neutral: White with colored stripe matching the color of the phase circuit that is paired with the neutral.
 - b. Colors for 480/277-V Circuits:
 - 1) Phase A: Brown.
 - 2) Phase B: Orange.
 - 3) Phase C: Yellow.
 - 4) Feeder Neutral: Grey
 - 5) Branch Circuit Neutral: Grey with colored stripe matching the color of the phase circuit that is paired with the neutral.
 2. Isolated Power Systems: Color-Coding for Circuit Identification: Use colors listed below for Isolated Power conductors.
 - a. Isolated Conductor No. 1: Orange with at least one distinctive colored stripe other than white, green, or grey along the entire length of the conductor.
 - b. Isolated Conductor No. 2: Brown with at least one distinctive colored stripe other than white, green, or grey along the entire length of the conductor.
 3. Color shall be factory applied or field applied for sizes larger than No. 8 AWG if authorities having jurisdiction permit.
 - a. Field-Applied, Color-Coding Conductor Tape: Apply in half-lapped turns for a minimum distance of 6 inches (150 mm) from terminal points and in boxes where splices or taps are made. Apply last two turns of tape with no tension to prevent possible unwinding. Locate bands to avoid obscuring factory cable markings.
 4. Provide a sign at each panelboard identifying the color coding scheme.
- D. Install instructional sign, including the color code for grounded and ungrounded conductors using adhesive-film-type labels.
- E. Control-Circuit Conductor Identification: For conductors and cables in pull and junction boxes, manholes, and handholes, use self-adhesive vinyl labels with the conductor or cable designation, origin, and destination.
- F. Control-Circuit Conductor Termination Identification: For identification at terminations, provide self-adhesive vinyl labels with the conductor designation.
- G. Conductors To Be Extended in the Future: Attach write-on tags to conductors and list source.
- H. Auxiliary Electrical Systems Conductor Identification: Identify field-installed alarm, control, and signal connections.
1. Identify conductors, cables, and terminals in enclosures and at junctions, terminals, and pull points. Identify by system and circuit designation.
 2. Use system of marker-tape designations that is uniform and consistent with system used by manufacturer for factory-installed connections.
 3. Coordinate identification with Project Drawings, manufacturer's wiring diagrams, and operation and maintenance manual.

- I. Locations of Underground Lines: Identify with underground-line warning tape for power, lighting, communication, and control wiring and optical-fiber cable.
 - 1. Limit use of underground-line warning tape to direct-buried cables.
 - 2. Install underground-line warning tape for direct-buried cables and cables in raceways.
- J. Workspace Indication: Install floor marking tape to show working clearances in the direction of access to live parts. Workspace shall comply with NFPA 70 and 29 CFR 1926.403 unless otherwise indicated. Do not install at flush-mounted panelboards and similar equipment in finished spaces.
- K. Warning Labels for Indoor Cabinets, Boxes, and Enclosures for Power and Lighting: Self-adhesive warning labels.
 - 1. Comply with 29 CFR 1910.145.
 - 2. Identify system voltage with black letters on an orange background.
 - 3. Apply to exterior of door, cover, or other access.
 - 4. For equipment with multiple power or control sources, apply to door or cover of equipment, including, but not limited to, the following:
 - a. Power-transfer switches.
 - b. Controls with external control power connections.
- L. Arc Flash Warning Labeling: Self-adhesive thermal transfer vinyl labels.
 - 1. Comply with NFPA 70E and ANSI Z535.4.
 - 2. Comply with Section 26 05 74 "Overcurrent Protective Device Arc-Flash Study" requirements for arc-flash warning labels.
- M. Operating Instruction Signs: Install instruction signs to facilitate proper operation and maintenance of electrical systems and items to which they connect. Install instruction signs with approved legend where instructions are needed for system or equipment operation.
- N. Emergency Operating Instruction Signs: Install instruction signs with white legend on a red background with minimum ~~3/8-inch-~~ (10-mm-) high letters for emergency instructions at equipment used for power transfer or load shedding.
- O. Equipment Identification Labels: On each unit of equipment, install unique designation label that is consistent with wiring diagrams, schedules, and operation and maintenance manual. Apply labels to disconnect switches and protection equipment, central or master units, control panels, control stations, terminal cabinets, and racks of each system. Systems include power, lighting, control, communication, signal, monitoring, and alarm unless equipment is provided with its own identification.
 - 1. Labeling Instructions:
 - a. Elevated Components: Increase sizes of labels and letters to those appropriate for viewing from the floor.
 - b. Fasten mechanically fastened labels with appropriate mechanical fasteners that do not change the NEMA or NRTL rating of the enclosure.
 - 2. Equipment To Be Labeled:
 - a. Panelboards: Typewritten directory of circuits in the location provided by panelboard manufacturer.
 - b. Enclosures and electrical cabinets.
 - c. Lighting control relay cabinets.
 - d. Access doors and panels for concealed electrical items.
 - e. Switchgear.
 - f. Switchboards.
 - g. Transformers: Label that includes tag designation shown on Drawings for the transformer, feeder, and panelboards or equipment supplied by the secondary.
 - h. Emergency system boxes and enclosures.
 - i. Motor-control centers.
 - j. Enclosed switches.
 - k. Enclosed circuit breakers.
 - l. Enclosed controllers.

- m. Variable-speed controllers.
- n. Push-button stations.
- o. Power-transfer equipment.
- p. Contactors.
- q. Remote-controlled switches, dimmer modules, and control devices.
- r. Battery-inverter units.
- s. Battery racks.
- t. Power-generating units.
- u. Monitoring and control equipment.
- v. UPS equipment.
- w. Communications Equipment Racks.
- x. Fire Alarm System.
- y. Access Control System.
- z. Overhead Paging System.
- aa. Nurse Call System.

END OF SECTION

SECTION 26 08 00

ELECTRICAL COMMISSIONING REQUIREMENTS

PART 1 - GENERAL

1.1 RELATED DOCUMENTS

- A. Drawings and general provisions of the Contract, including General and Supplementary Conditions and other Division 01 Specification Sections, apply to this Section.

1.2 SUMMARY

- A. This section includes general requirements that apply to implementation of commissioning. The commissioned systems for this project are as follows:
 - 1. Electrical systems consisting of emergency power supply systems - transfer switches, switch gear, and generators.
- B. RELATED SECTIONS:
 - 1. Division 01 Section 01 91 13: General Commissioning Requirements.
 - 2. Division 26 Section 26 09 236: Programmable Lighting Control Systems - lighting control systems, assemblies, equipment, and components.
 - 3. Division 26: Engine Generator Systems – Engine Generators, and Automatic Transfer Switches.
- C. Commissioning is a comprehensive and systematic process to verify that the building systems perform as designed to meet the owner’s requirements. Commissioning during the design, construction, acceptance, and warranty phases is intended to achieve the following specific objectives:
 - 1. Verify and document that equipment is installed and started per manufacturer’s recommendations and to industry accepted standards.
 - 2. Verify and document that equipment and systems receive complete operational checkout by installing contractors.
 - 3. Verify and document equipment and system performance.
 - 4. Verify the completeness of operations and maintenance materials.
 - 5. Ensure that the owner’s operating personnel are adequately trained on the operation and maintenance of building equipment.
- D. For lighting control complete the requirements to meet the LEED pre-requisite for Fundamental Commissioning of Building Energy Systems and the LEED credit for Enhanced Commissioning.
- E. The commissioning process does not take away from or reduce the responsibility of the system designers or installing contractors to provide a finished and fully functioning product.

1.3 DEFINITIONS

- A. A/E – Architect and Engineer on the design team.
- B. BOD - Basis of Design. A document that records concepts, calculations, decisions, and product selections used to meet the OPR and to satisfy applicable regulatory requirements, standards, and guidelines. The document includes both narrative descriptions and lists of individual items that support the design process.
- C. Cx Plan - Commissioning Plan. A document that outlines the organization, schedule, allocation of resources, and documentation requirements of the commissioning process.
- D. CxA - Commissioning Authority.
- E. EOR – Engineer of Record.
- F. FPT – Functional Performance Test. FPTs can be multi-discipline and multi-trade activities that require choreographing and rehearsing with the project team.

- G. Systems, Subsystems, Equipment, and Components: Where these terms are used together or separately, they shall mean "as-built" systems, subsystems, equipment, and components.
- H. OPR - Owner's Project Requirements. A document that details the functional requirements of a project and the expectations of how it will be used and operated. These include Project goals, measurable performance criteria, cost considerations, benchmarks, success criteria, and supporting information.
- I. PFC - Pre-Functional Checklist. The PFC documents the construction status of the equipment or system and ensures that pre-requisite systems and checks are completed prior to energizing and operating the equipment. Upon completion of the PFC, the equipment and / or systems are complete and operational, so that the functional performance testing can be scheduled. The PFC may require that a start-up certification from the vendor, control points lists, and sequence verification forms are attached.

1.4 COMMISSIONING TEAM

- A. At a minimum, the members of the commissioning team consist of the Commissioning Agent (CxA), the Owner's Representative (PM), the General Contractor (GC or Contractor), the architect and design engineers (A/E), the Mechanical Contractor (MC), the Electrical Contractor (EC), the Controls Contractor (CC), the Test and Balance Contractor (TAB), the owner's maintenance staff, and any other installing subcontractors or suppliers of equipment.
- B. Members Appointed by Contractor(s): Individuals, each having the authority to act on behalf of the entity he or she represents, explicitly organized to implement the commissioning process through coordinated action. The commissioning team shall consist of, but not be limited to, representatives of each Contractor, including Project superintendent and subcontractors, installers, suppliers, and specialists deemed appropriate by the CxA.
- C. All applicable sub-contractors shall include cost for their involvement in the commissioning process including demonstration of installed equipment to the commissioning team members during the acceptance portion of the project, and other responsibilities as described in the specification.
- D. Members Appointed by Owner:
 - 1. CxA: The designated person, company, or entity that plans, schedules, and coordinates the commissioning team to implement the commissioning process.
 - 2. Representatives of the facility user and operation and maintenance personnel.
 - 3. Architect and engineering design professionals.

1.5 COMMISSIONING PROCESS

- A. The following activities describe the commissioning tasks during construction and the general order in which they occur. The commissioning provider coordinates all activities.
 - 1. Kick-Off Meeting. Appropriate members of the design and construction team that will be involved in the commissioning process will attend a commissioning scoping meeting to be introduced to the requirements of the commissioning: checklists, tests, scope of work, schedule, tasks, and contractor responsibilities with regard to the implementation of the Commissioning Plan.
 - 2. Commissioning Plan. The commissioning plan provides guidance in the execution of the commissioning process.
 - 3. Submittals. Equipment submittals are to be submitted by the contractor to the CXA and concurrently to the EOR for review and approval for the all equipment and systems to be commissioned (refer to section 1.2.A).

4. **Start-Up/Pre-Functional Checklists.** The CxA works with the contractors to develop start-up plans and a start-up schedule. Pre-functional checklists verify readiness for commissioning. Pre-functional checklists will be provided to the contractors by the commissioning agent to be completed during the startup process. Pre-functional checklists may be provided by the contractor, as a substitute to the Pre-functional checklists provided by the CxA, with prior review and approval by the CxA. Completion of the Pre-functional checklists indicates readiness for functional testing. If the CxA is notified by the installing contractor that the systems are ready for testing, and the CxA is unable to test because of the state of system readiness, the installing subcontractor will be back charged for the CxA's time and expense at the current year's labor rate for the CxA.
5. **Functional Performance Testing.** The objective of functional performance testing is to demonstrate that each system is operating in accord with the sequence of operations, OPR, BOD and Construction Documents. Each functional performance test (FPT) verifies that all system components, and interfaces between systems operate correctly. This includes all operating modes, interlocks, control sequences, and responses to emergency conditions. All FPT procedures are written, directed, witnessed, and documented by the CxA. Any testing or manipulation of electrical power, interlocks, alarms or system controls will be by the installing contractor.
6. **Deficiencies and Resolution.** The CxA documents items of non-compliance in materials, installation or operation. In collaboration with the entity responsible for system and equipment installation, perform corrective action until the issues are resolved to the satisfaction of the owner or the CxA. When the deficiencies are rectified, the contractor will notify the CxA for final re-testing. Any subsequent re-testing due to un-resolved deficiencies will be back charged to the contractor for the CxA's time and expense at the current year's labor rate for the CxA.
7. **Operations and Maintenance Documentation.** The CxA reviews the O&M documentation for completeness.
8. **Training.** The CxA reviews the training provided by the contractors and verifies that it is completed.

1.6 SUBMITTALS

- A. The CxA will require submittals for all commissioned equipment to formulate the pre-functional tests and functional tests. Additionally, the CxA reviews submittals related to the commissioned equipment and their controls for conformance to the OPR, BOD and Construction Documents. Equipment submittals are to be submitted by the contractor to the CxA and concurrently to the EOR for review and approval for the all equipment and systems to be commissioned (refer to section 1.2.A).
- B. The CxA may submit written requests for additional information from contractors to facilitate the commissioning process.
- C. The CxA may request additional design and operations narrative from the design team and Electrical Contractor.

1.7 REPORTING

- A. The CxA will provide regular reports to the Owner and the GC with increasing frequency as construction and the process of commissioning progresses.
- B. The CxA will regularly communicate with all members of the commissioning team, apprising them of commissioning progress and scheduling changes through memos, progress reports, etc.
- C. The CxA compiles a final Commissioning Report which summarizes all of the tasks, findings, and documentation of the commissioning process. The report addresses the actual performance of the building systems in reference to the design intent and contract documents. The report includes completed pre-functional inspection checklists, functional performance testing records, diagnostic monitoring results, identified deficiencies, recommendations, and a summary of commissioning activities.

1.8 MEETINGS

- A. Kick-off Meeting. The CxA will schedule, plan and conduct a commissioning Kick-off meeting with the entire commissioning team in attendance. The CxA will distribute meeting minutes to all parties.
- B. Miscellaneous Meetings. Other meetings will be planned and conducted by the CxA as construction progresses as appropriate. These meetings will cover coordination, deficiency resolution and planning issues. The attendance of a representative of each subcontractor on the commissioning team will be required.

PART 2 - RESPONSIBILITIES

2.1 THE RESPONSIBILITIES OF VARIOUS PARTIES IN THE COMMISSIONING PROCESS ARE PROVIDED IN THE FOLLOWING SECTIONS. NOTE THAT THE SERVICES FOR THE OWNER, DESIGN TEAM, AND COMMISSIONING PROVIDER ARE NOT INCLUDED IN THIS CONTRACT. THE CONTRACTOR IS NOT RESPONSIBLE FOR PROVIDING THEIR SERVICES. THEIR RESPONSIBILITIES ARE LISTED HERE TO CLARIFY THE COMMISSIONING PROCESS ONLY.

2.2 OWNER'S RESPONSIBILITIES

- A. Provide the OPR documentation to the CxA and each Contractor for information and use.
- B. Assign operation and maintenance personnel and schedule them to participate in commissioning team activities.
- C. Provide the OPR prepared by the Owner and provide the BOD documentation, prepared by Design Engineers/Architect and approved by Owner, to the CxA and each Contractor for use in developing the commissioning plan, systems manual, and operation and maintenance training plan.

2.3 ARCHITECT & ENGINEER(S) OF RECORD'S RESPONSIBILITIES(A/E)

- A. Construction and Acceptance Phase
 - 1. Attend the commissioning kick-off meeting and selected commissioning team meetings.
 - 2. Perform normal submittal review, construction observation, as-built drawing preparation, O&M manual preparation, etc., as contracted and provide a copy to the CxA.
 - 3. Provide design narrative documentation requested by the CxA.
 - 4. Coordinate resolution of system deficiencies identified during commissioning, according to the contract documents.
 - 5. Resolve issues identified by the CxA that are related to errors in design.
 - 6. Prepare and submit final as-built BOD documentation for inclusion in the O&M manuals. Review and approve the O&M manuals.
- B. Warranty Period
 - 1. Coordinate resolution of design non-conformance and design deficiencies identified during warranty period commissioning.

2.4 GENERAL CONTRACTOR (GC)

- A. Construction and Acceptance Phase
 - 1. Facilitate the coordination of the commissioning work by the CxA.
 - 2. Integrate all commissioning activities into the master construction schedule. The schedule will include the following information for each piece of equipment: Factory acceptance tests, pre-functional testing, equipment functional testing, system performance testing and site integration testing.
 - 3. A representative shall attend a commissioning kick-off meeting and other necessary meetings scheduled by the CxA to facilitate the commissioning process.
 - 4. Furnish a copy of all construction documents, addenda, change orders and approved submittals and shop drawings related to commissioned equipment and systems to the CxA.

5. In each purchase order or subcontract written, include requirements for submittal data, O&M data, commissioning tasks and training.
 6. Ensure that all subcontractors execute their commissioning responsibilities according to this specification and the commissioning plan.
 7. Ensure that equipment vendors (or their local representative) that are required to perform on site start-up will attend functional testing. GC is to include this clause in specified vendor's RFP.
 8. Coordinate the sub-contractors and equipment vendors for required Pre-Functional and Functional Performance testing including testing that requires multi-discipline and multi-trade activities.
 9. Ensure that Subcontractors correct deficiencies and make necessary adjustments to O&M manuals and as-built drawings per the issues identified by the CxA.
 10. Coordinate the training of owner personnel.
 11. Prepare O&M manuals, as-builts (including clarifying and updating the original sequences of operation to as-built conditions), warranties, spare parts, submittals and submittal logs, RFI's and RFI logs, etc according to the format developed by the CxA , in coordination with the Engineer, and reviewed and approved by the Owner. The documents shall be submitted by the Contractor to the Commissioning Authority both electronically and in hard copy. All electronic PDF documents shall be searchable with bookmarks mimicking the tabs in the binder.
- B. Warranty Period
1. Ensure that subcontractors execute required seasonal or deferred functional performance testing.
 2. Ensure that subcontractors correct deficiencies and make necessary adjustments to O&M manuals and as-built drawings for issues identified in seasonal testing.

2.5 INSTALLING CONTRACTORS RESPONSIBILITIES: (ELECTRICAL CONTRACTOR (EC))

- A. The responsibilities of Contractors in the commissioning process are provided in this section to clarify the commissioning process.
- B. Contractors shall assign representatives with expertise and authority to act on its behalf and shall schedule them to participate in and perform commissioning process activities including, but not limited to, the following:
1. The CxA will work with the GC to schedule commissioning activities. The GC shall integrate all commissioning activities into the master construction schedule. All parties will address scheduling issues in a timely manner in order to expedite the commissioning process.
 2. Equipment submittals are to be submitted by the contractor to the CxA and concurrently to the EOR for review and approval for the all equipment and systems to be commissioned (refer to section 1.2.A).
 3. Attend Commissioning and Coordination Meetings during the construction, acceptance and warranty phases as designated by the CxA.
 4. Attend construction phase controls coordination meeting.
 5. Integrate and coordinate commissioning process activities into the construction schedule.
 6. Document equipment installation, testing, and startup activities as defined by the manufacturer and provide to the CxA as supporting documents attached to the Pre-Functional Checklists.
 7. Labor, instrumentation, tools, and test equipment costs for technicians for the performance of commissioning pre-functional equipment checks and functional performance testing are to be provided by the contractor responsible for the installation of the equipment or system to be commissioned. Tools and test equipment are to be calibrated and in good working order. Testing equipment calibration certifications must be current in accordance with all requirements of the Project Manual.

8. Provide measuring instruments and logging devices to record test data, and provide data acquisition equipment to record data for the complete range of testing for the required test period as designated by the CxA.
 9. Perform the pre-functional equipment checks and document these requirements and tests in the pre-functional checklists provided by the CxA. Contractor is to deliver the pre-functional checklists completed and signed to the CxA, along with supporting documentation for all commissioned equipment and systems one (1) week prior to Functional Performance Testing. All completed pre-functional checklists must be approved by the Commissioning Agent before functional performance testing is started. If the contractor indicates inaccurate completion of these checklists, and it results in the CxA unable to perform the Functional Performance Tests, the contractor will be back charged for the CxA's time and expense at the current year's labor rate for the CxA.
 10. Review the commissioning process functional test procedures (Functional Performance Tests – FPTs) provided by the Commissioning Authority. Testing will include all operation and alarm modes.
 11. At least one (1) week prior to functional performance testing the Contractors will provide written verification that all electrical connections are complete, dust making activities have ceased, all control's point to point verification is completed, all commissioned systems and equipment start-ups are completed, Pre-Functional Checklists and Pre-Functional Verification Forms Completed and signed, all equipment to be commissioned is in operation, and O&M Manuals are available.
 12. Address current A/E punch list items before functional testing.
 13. The Contractor(s) will demonstrate and perform commissioning process functional performance tests under the direction of the CxA and with the CxA acting as a witness to the tests. If the functional performance tests result in deficiencies, the contractor will be given an Issues Log listing the deficiencies discovered during testing. When the deficiencies are rectified, the contractor will notify the CxA for final re-testing. Any subsequent re-testing due to un-resolved deficiencies will be back charged to the contractor for the CxA's time and expense at the current year's labor rate for the CxA.
 14. Cooperate with the CxA for resolution of issues recorded in the Issues Log, Construction Observation and test reports. In collaboration with the entity responsible for system and equipment installation, perform corrective action until the issues are resolved to the satisfaction of the owner or the CxA.
 15. Participate in systems, assemblies, equipment, and component maintenance orientation and inspection as called out in the installation specifications.
 16. Provide the CxA with training curricula for review and approval for all commissioned equipment and systems a minimum of four weeks prior to the scheduled training. Provide a record of attendance for Owner's Operation and Maintenance Training on required commissioned systems.
 17. Provide EOR and CxA with site specific copies of Operation and Maintenance Manuals detailing all manufacturer's recommended maintenance procedures and spare parts lists for review and approval for all commissioned equipment and systems a minimum of four weeks prior to submission for substantial completion.
 18. Provide "As Built" drawings for all commissioned equipment and systems to the EOR and the CxA for review and approval.
- C. If the installing contractor requires the vendor to perform start-up, then the factory start-up technician or qualified local representative will be required to attend functional testing.

2.6 ADDITIONAL RESPONSIBILITIES FOR LIGHTING CONTROLS (EC)

- A. Upon completion of the installation, Contractor will provide evidence (pre-functional checklists with acceptance signatures) to the Commissioning Agent that all:
1. Analog input points have been tested and calibrated.
 2. Digital input points have been tested.
 3. Analog output points stroke / function properly.
 4. Digital output points operate properly.

- B. Work with the Commissioning Agent to develop tuning validation tests using appropriate trend logs to show that control loops have been properly tuned to optimize energy usage while maintaining stable operation and occupant comfort.
- C. Commissioning Tools Graphic shall be created for each unique System for Global override of positions or set points to assist in commissioning. Graphic shall be accessible from each System or Unitary Graphic. A commissioning graphic for the chilled water system would allow all of the cooling control valves to be opened or closed. A graphic would provide temperature override to all zones in the building, similar graphics will be created for all other systems.

2.7 ADDITIONAL RESPONSIBILITIES FOR ELECTRICAL CONTRACTOR (EC)

- A. The Contractor(s) will demonstrate and perform all required construction related electrical testing with the CxA acting as a witness to the tests sufficient to demonstrate the procedures. If the tests result in deficiencies, the contractor will be given an Issues Log listing the deficiencies discovered during testing. When the deficiencies are rectified, the contractor will notify the CxA for final re-testing. Any subsequent re-testing due to un-resolved deficiencies will be back charged to the contractor for the CxA's time and expense at the current year's labor rate for the CxA.
- B. Participate in Pull-the Plug Testing and integrated systems test with respect to testing the facility emergency power systems.
- C. All tools, instruments, equipment, and labor required to execute field quality testing specified in the 26 00 00 electrical specifications will be by the contractor.

2.8 PROVIDE SPECIALIZE TEST INSTRUMENTATION FOR FUNCTIONAL TESTING INCLUDING BUT NOT LIMITED TO MEGA-OHMMETERS, POWER QUALITY METERS, NOISE LEVEL MEASUREMENTS, LOAD BANKS, TEMPORARY CABLING, 3 PHASE TRANSIENT METERS, PHASE ROTATION METER, BATTERY INTEGRITY AND CAPACITY LOAD TESTER, BATTERY HYDROMETER AND INFRARED CAMERA

2.9 CONDUCT PRIMARY OR SECONDARY INJECTION TESTING AND REPORT RESULTS. SET ALL TRIP UNITS ACCORDING TO THE COORDINATION STUDY. CXA TO REVIEW THE FINAL SETTINGS REPORT AND VERIFY 10% OF TRIP UNIT SETTINGS

2.10 EQUIPMENT SUPPLIERS

- A. Provide all requested submittal data, including detailed start-up procedures and specific responsibilities of the Owner to keep warranties in force.
- B. If the installing subcontractor requires the vendor to perform start-up, then the factory start-up technician or qualified local representative will be required to attend functional testing and assist in equipment testing after start-up.
- C. Provide information requested by CxA regarding equipment sequence of operation and testing procedures.

2.11 CXA RESPONSIBILITIES

- A. The primary role of the CxA is to develop and coordinate the execution of a Cx plan, observe construction and testing. The CxA will document that the performance of the commissioned systems are functioning in accordance with the documented OPR, BOD and the Contract Documents. The CxA is not responsible for design concept, design criteria, compliance with codes, design or general construction scheduling, cost estimating, or construction management. The CxA may assist with problem-solving non-conformance or deficiencies, but ultimately that responsibility resides with the general contractor and the A/E team.
- B. Coordinates and directs all commissioning activities. Work with the GC and PM to ensure that commissioning activities are being scheduled.

- C. Plan and conduct the commissioning kick-off meeting.
- D. Review Contractor submittals applicable to commissioned systems, concurrent with the EOR reviews.
- E. Provide and revise as necessary, the commissioning plan (Cx Plan).
- F. Request and review additional information required to perform commissioning tasks, including O&M materials, contractor start-up and checkout procedures, and sequences of operation.
- G. Perform site visits, as contracted, to observe component and system installations. Attend selected planning and job-site meetings to obtain information on construction progress.
- H. The CxA develops project-specific construction checklists (pre-functional checklists), commissioning process test procedures (Functional Performance Tests – FPTs, for the equipment and systems to be commissioned. These procedures are based on the construction documents prepared by the design team as well as the OPR and BOD. The tests include step by step descriptions of each activity in chronological order including duration, required personnel, and back out procedure for each step. Test scripts shall also include any requirements for supplemental monitoring equipment and radio communications during the tests. FPTs, are multi-discipline and multi-trade activities that may require choreographing and rehearsing with the contractors and Cx Team members. All verification procedures are directed, witnessed, and documented by the CxA, with other parties present as appropriate.
- I. Coordinate, witness, and document functional performance tests performed by installing contractors. Coordinate a final re-testing to determine whether a satisfactory performance is achieved.
- J. Prepare and maintain the Issues Log.
- K. Review and witness systems, assemblies, equipment, and component startup.
- L. Compile commissioning test data, inspection reports, and checklists; include them in the systems manual and final commissioning report.
- M. Review the Operation and Maintenance Manuals.
- N. Review Owner Operation and Maintenance training curricula and document owner training has taken place as required.

END OF SECTION

SECTION 26 09 23

LIGHTING CONTROL DEVICES

PART 1 - GENERAL

1.1 RELATED DOCUMENTS

- A. Drawings and general provisions of the Contract, including General and Supplementary Conditions and Division 01 Specification Sections, apply to this Section.

1.2 SUMMARY

- A. Section Includes:
 1. Photoelectric switches.
 2. Standalone daylight-harvesting switching controls.
 3. Daylight-harvesting dimming controls.
 4. Room Controllers.
 5. Stand Alone Indoor occupancy sensors.
 6. Lighting contactors.
 7. Emergency shunt relays.
 8. Low-Voltage Controllers
- B. Related Requirements:
 1. Section 26 27 26 "Wiring Devices" for wall-box dimmers, wall-switch occupancy sensors, and manual light switches.

1.3 ACTION SUBMITTALS

- A. Product Data: For each type of product.
- B. Shop Drawings: Show installation details for occupancy and light-level sensors.
 1. Submit complete scale drawing showing recommended location for each sensor, optimized from project conditions and coverage patterns for submitted devices.
 2. Interconnection diagrams showing field-installed wiring.
 3. Include diagrams for power, signal, and control wiring.

1.4 INFORMATIONAL SUBMITTALS

- A. Field quality-control reports.

1.5 CLOSEOUT SUBMITTALS

- A. Operation and Maintenance Data: For each type of lighting control device to include in emergency, operation, and maintenance manuals.

1.6 COMMISSIONING

- A. Refer to Section 01 91 13 and Section 26 08 00 for commissioning and associated requirements.

PART 2 - PRODUCTS

2.1 OUTDOOR PHOTOELECTRIC SWITCHES

- A. Manufacturers: Subject to compliance with requirements, provide products by one of the following:
 1. Cooper Industries, Inc.
 2. Intermatic, Inc.
 3. Leviton Manufacturing Co., Inc.
 4. NSi Industries LLC.
 5. TE Connectivity Ltd.

- B. Description: Solid state, with SPST dry contacts rated for 1800 VA, to operate connected load, complying with UL 773.
 - 1. Listed and labeled as defined in NFPA 70, by a qualified testing agency, and marked for intended location and application.
 - 2. Light-Level Monitoring Range: 1.5 to 10 fc (16.14 to 108 lux), with an adjustment for turn-on and turn-off levels within that range.
 - 3. Time Delay: Thirty-second minimum, to prevent false operation.
 - 4. Lightning Arrester: Air-gap type.
 - 5. Mounting: Twist lock complying with NEMA C136.10, with base.

2.2 DAYLIGHT-HARVESTING SWITCHING CONTROLS

- A. Provide products that are of the same manufacturer or compatible with the manufacturers listed in Section 26 09 43, Relay Based Lighting Controls.
- B. Manufacturers: Subject to compliance with requirements, provide products by one of the following:
 - 1. Eaton (Cooper Controls), Inc.
 - 2. Lutron, Inc.
 - 3. Leviton Manufacturing Co., Inc.
 - 4. Philips Controls
 - 5. Acuity Controls
 - 6. Nextlite
 - 7. ETC
 - 8. Douglas Controls
 - 9. WattStopper
- C. Ceiling-Mounted Switching Controls: Solid-state, light-level sensor unit, with separate power pack, to detect changes in indoor lighting levels that are perceived by the eye.
- D. Electrical Components, Devices, and Accessories:
 - 1. Listed and labeled as defined in NFPA 70, by a qualified testing agency, and marked for intended location and application.
 - 2. Operating Ambient Conditions: Dry interior conditions, 32 to 120 deg F (0 to 49 deg C).
 - 3. Sensor Output: Contacts rated to operate the associated power pack, complying with UL 773A. Sensor is powered by the power pack.
 - 4. Power Pack: Dry contacts rated for 20-A ballast load at 120- and 277-V ac. Sensor has 24-V dc, 150-mA, Class 2 power source, as defined by NFPA 70.
 - 5. General Space Sensors Light-Level Monitoring Range: 10 to 200 fc (108 to 2152 lux), with an adjustment for turn-on and turn-off levels within that range.
 - 6. Atrium Space Sensors Light-Level Monitoring Range: 100 to 1000 fc (1080 to 10 800 lux), with an adjustment for turn-on and turn-off levels within that range.
 - 7. Skylight Sensors Light-Level Monitoring Range: 1000 to 10,000 fc (10 800 to 108 000 lux), with an adjustment for turn-on and turn-off levels within that range.
 - 8. Time Delay: Adjustable from 5 to 300 seconds to prevent cycling.
 - 9. Set-Point Adjustment: Equip with deadband adjustment of 25, 50, and 75 percent above the "on" set point, or provide with separate adjustable "on" and "off" set points.
 - 10. Test Mode: User selectable, overriding programmed time delay to allow settings check.
 - 11. Control Load Status: User selectable to confirm that load wiring is correct.
 - 12. Indicator: Two digital displays to indicate the beginning of on-off cycles.

2.3 DAYLIGHT-HARVESTING DIMMING CONTROLS

- A. Provide products that are of the same manufacturer or compatible with the manufacturers listed in Section 26 09 43, Relay Based Lighting Controls.
- B. Manufacturers: Subject to compliance with requirements, provide products by one of the following:
 - 1. Eaton (Cooper Controls), Inc.
 - 2. Lutron, Inc.

3. Leviton Manufacturing Co., Inc.
 4. Philips Controls
 5. Acuity Controls
 6. NextLite
 7. Douglas Controls
 8. ETC
 9. WattStopper
 - 10.
- C. System Description: Sensing daylight and electrical lighting levels, the system adjusts the indoor electrical lighting levels. As daylight increases, the lights are dimmed.
1. Lighting control set point is based on two lighting conditions:
 - a. When no daylight is present (target level).
 - b. When significant daylight is present.
 2. System programming is done with two hand-held, remote-control tools.
 - a. Initial setup tool.
 - b. Tool for occupants to adjust the target levels by increasing the set point up to 25 percent, or by minimizing the electric lighting level.
- D. Ceiling-Mounted Dimming Controls: Solid-state, light-level sensor unit, with separate controller unit, to detect changes in lighting levels that are perceived by the eye. The separate dimming control may be located in the appropriate relay cabinet for these circuits.
1. Listed and labeled as defined in NFPA 70, by a qualified testing agency, and marked for intended location and application.
 2. Sensor Output: 0- to 10-V dc to operate electronic dimming ballasts. Sensor is powered by controller unit.
 3. Power Pack: Sensor has 24-V dc, Class 2 power source, as defined by NFPA 70.
 4. Light-Level Sensor Set-Point Adjustment Range: 20 to 100 fc (120 to 600 lux).

2.4 ROOM CONTROLLERS

- A. Room Controllers are used to independently control lighting and switched receptacles.
- B. Provide products that are compatible with Indoor Occupancy Sensors.
- C. Digitally addressable room controller with the following functions.
1. Autonomous space control.
 2. Networking to a central Dialog control system.
 3. Networking to a central BACnet based management system.
- D. The Room Controller shall consist of:
1. A universal voltage type (120Vac/277Vac/347Vac) power supply.
 2. Four 20A rated relays complete with manual override. Circuit Load rating dependent on usage. One circuit dedicated for 20A receptacle control.
 3. Four 0-10V control channels, capable of 100mA current sinking
 4. A port to connect downstream switches, occupancy sensors and daylight sensors.
 5. A port to connect upstream to BACnet IP building management system. The Controller shall communicate using native BACnet command objects appropriate for the application.
 6. An indicating LED to aid in locating the controller in a darkened ceiling space.
 7. Circuit testing buttons
 8. Capable of connecting with WUL-3924
 9. Output 24Vac 120mA
 10. Relay Ratings
 - a. 20A Suitable for General Purpose Loads @ 120/277 VAC
 - b. 20A Suitable for Standard Ballasts and Tungsten Loads @ 120/277 VAC
 - c. 16A Suitable for Electronic Ballasts @ 120/277 VAC
 - d. 0.5HP @120/277 VAC.

11. The Room Controller relays shall be connected such that 120Vac plug load(s) and 277Vac lighting loads can be switched by a single Controller with no additional add-ons or remote modules
12. The Room Controller shall mount to electrical junction box via threaded ½” chase nipple. No other mounting hardware shall be required.
13. Switches shall connect to the lighting control network via a common low voltage, 2-wire, non-polarized data line.
 - a. Switches shall be factory configured and programmed to control one or more outputs in the lighting control system.
 - b. Switches can be programmed for preset control to set a specific lighting scene.
 - c. Switches, with LED indicators to indicate both ON and OFF output/group status, shall be available with 2 or 4 single button switches per gang. Switch to fit standard Decora opening.
 - d. Switches and switch hardware shall mount to standard wall boxes.
 - e. Each switch shall provide a location for a label to identify function. The label shall be under a clear plastic cover and shall be field replaceable should the operation of the switch change. Permanently etched switches are not acceptable.
14. Dimmer switches shall be connected to the lighting control network via a common low voltage 2-wire, non-polarized data line.
 - a. Dimmer switches shall be capable of raising or lowering light levels of individual or groups of lighting fixtures.
15. Space Control Requirements:
 - a. Provide manual-on / auto-off control for lighting in all spaces that are controlled by a Room Controller.
 - b. Provide auto-on / auto-off control for all switched receptacles that are controlled by a Room Controller.
 - c. Provide auto-on / auto-off control for HVAC serving all spaces that contain a Room Controller. Control to be provided by either two-wire signal based on relay contact position or direct communication with the building management system using BACnet commands. Coordinate with building management system installer.

2.5 INDOOR OCCUPANCY SENSORS

- A. Provide products that are of the same manufacturer or compatible with the manufacturers listed in Section 26 09 43, Relay Based Lighting Controls.
- B. General Requirements for Sensors: Wall- or ceiling-mounted, solid-state indoor occupancy sensors with a separate power pack.
 1. Listed and labeled as defined in NFPA 70, by a qualified testing agency, and marked for intended location and application.
 2. Operation: Unless otherwise indicated, turn lights on when coverage area is occupied, and turn them off when unoccupied; with a time delay for turning lights off, adjustable over a minimum range of 1 to 15 minutes.
 3. In locations where the sensor or the local switch is/are marked “VS” the sensor shall turn the lights off automatically upon room vacancy. The lights shall turn on only upon activation from the associated wall station.
 4. Sensor Output: Contacts rated to operate the connected relay, complying with UL 773A. Sensor is powered from the power pack.
 5. Power Pack: Dry contacts rated for 20-A ballast load at 120- and 277-V ac, for 13-A tungsten at 120-V ac, and for 1 hp at 120-V ac Sensor has 24-V dc, 150-mA, Class 2 power source, as defined by NFPA 70.
 6. Mounting:
 - a. Sensor: Suitable for mounting in any position on a standard outlet box.
 - b. Relay: Externally mounted through a 1/2-inch (13-mm) knockout in a standard electrical enclosure.
 - c. Time-Delay and Sensitivity Adjustments: Recessed and concealed behind hinged door.

7. Indicator: Digital display, to show when motion is detected during testing and normal operation of sensor.
 8. Bypass Switch: Override the "on" function in case of sensor failure.
 9. Automatic Light-Level Sensor: Adjustable from 2 to 200 fc (21.5 to 2152 lux); turn lights off when selected lighting level is present.
- C. Dual-Technology Type: Ceiling mounted; detect occupants in coverage area using both PIR and ultrasonic detection methods. The particular technology or combination of technologies that control on-off functions is selectable in the field by operating controls on unit.
1. Sensitivity Adjustment: Separate for each sensing technology.
 2. Detector Sensitivity: Detect occurrences of 6-inch- (150-mm-) minimum movement of any portion of a human body that presents a target of not less than 36 sq. in. (232 sq. cm), and detect a person of average size and weight moving not less than 12 inches (305 mm) in either a horizontal or a vertical manner at an approximate speed of 12 inches/s (305 mm/s).
 3. Detection Coverage (Standard Room): Detect occupancy anywhere within a circular area of 1000 sq. ft. (93 sq. m) when mounted on a 96-inch- (2440-mm-) high ceiling.
 4. Remote powerpacks using one or more sensors shall be used to cover space as indicated on drawings.
 5. Device shall be vacancy sensing (in conjunction with local wall station) if marked "VS". Otherwise device shall be occupancy sensing.
 - 6.

2.6 SWITCHBOX-MOUNTED OCCUPANCY SENSORS

- A. Provide products that are of the same manufacturer or compatible with the manufacturers listed in Section 260943, Relay Based Lighting Controls.
- B. General Requirements for Sensors: Automatic-wall-switch occupancy sensor, suitable for mounting in a single gang switchbox.
1. Listed and labeled as defined in NFPA 70, by a qualified testing agency, and marked for intended location and application,
 2. Operating Ambient Conditions: Dry interior conditions, 32 to 120 deg F (0 to 49 deg C).
 3. Switch Rating: Not less than 800-VA LED at 120 V, 1200-VA LED loads at 277 V,
- C. Wall-Switch Sensor:
1. Standard Range: 180-degree field of view, field adjustable from 180 to 40 degrees; with a minimum coverage area of 900 sq. ft. (84 sq. m).
 2. Sensing Technology: Dual technology - PIR and ultrasonic.
 3. Switch Type: SP. SP, manual "on," automatic "off."
 4. Voltage: Dual voltage, 120 and 277 V;
 5. Ambient-Light Override: Concealed, field-adjustable, light-level sensor from 10 to 150 fc (108 to 1600 lux). The switch prevents the lights from turning on when the light level is higher than the set point of the sensor.
 6. Concealed, field-adjustable, "off" time-delay selector at up to 30 minutes.
 7. Adaptive Technology: Self-adjusting circuitry detects and memorizes usage patterns of the space and helps eliminate false "off" switching.
 8. Device shall be Vacancy sensing if marked VS or occupancy sensing if not otherwise marked.

2.7 LIGHTING CONTACTORS

- A. Manufacturers: Subject to compliance with requirements, provide products by one of the following:
1. Allen-Bradley/Rockwell Automation.
 2. ASCO Power Technologies, LP; a division of Emerson Electric Co.
 3. Eaton Corporation.
 4. GE Industrial Systems; Total Lighting Control.
 5. Square D; a brand of Schneider Electric.

- B. Description: Electrically operated, electrically held, combination-type lighting contactors with fusible switch complying with NEMA ICS 2 and UL 508.
 - 1. Current Rating for Switching: Listing or rating consistent with type of load served, including tungsten filament, inductive, and high-inrush ballast (ballast with 15 percent or less total harmonic distortion of normal load current).
 - 2. Fault Current Withstand Rating: Equal to or exceeding the available fault current at the point of installation.
 - 3. Enclosure: Comply with NEMA 250.
 - 4. Provide with control and pilot devices as indicated on Drawings, matching the NEMA type specified for the enclosure.
- C. Interface with DDC System for HVAC: Provide hardware interface to enable the DDC system for HVAC to monitor and control lighting control systems and contactors.
 - 1. Monitoring: On-off status
 - 2. Control: On-off operation

2.8 EMERGENCY SHUNT RELAY

- A. Manufacturers: Subject to compliance with requirements, provide products by one of the following:
 - 1. Eaton (Cooper Controls), Inc.
 - 2. Lutron, Inc.
 - 3. Leviton Manufacturing Co., Inc.
 - 4. Philips Controls
 - 5. Acuity Controls
 - 6. NextLite
 - 7. Douglas Controls
 - 8. Wattstopper
- B. Description: Normally closed, electrically held relay, arranged for wiring in parallel with automatic switching contacts; complying with UL 924.
 - 1. Coil Rating: as scheduled.

2.9 LOW-VOLTAGE CONTROLLERS

- A. Low-Voltage Controllers are used to turn on and dim line voltage lighting safely when used with Nurse Call Pillow Speakers, Bed Side-Rail Controls and Momentary Dry Contact Switches.
- B. Manufacturers: Subject to compliance with requirements, provide the following:
 - 1. Curbell Medical Products (Basis of Design is # LVC-2000-001)
- C. Description: 3 Channel lighting controller to continuously dim 2 channels using 0-10 vdc signals to the dimming LED drivers for the ambient light and reading light channels in the luminaire and to switch one channel via the LED driver(s) for the exam light portion of the luminaire. Controller shall have control inputs from nurse call pillow speaker contacts and also be switched from wall switches as shown.
- D. Installation: Lighting Controller shall be installed above the accessible ceiling outside the patient room for ease of access. All leads shall be extended from the switches, luminaire and nurse call system in an approved manner. Installer shall provide a NEMA 12 enclosure suitable for the purpose and mount the controller in this box. Observe required high and low voltage separation and physical barriers. Label the cover with the words "LIGHTING CONTROLLER FOR ROOM #####".

2.10 CONDUCTORS AND CABLES

- A. Power Wiring to Supply Side of Remote-Control Power Sources: Not smaller than No. 12 AWG. Comply with requirements in Section 26 05 19 "Low-Voltage Electrical Power Conductors and Cables."

- B. Classes 2 and 3 Control Cable: Multiconductor cable with stranded-copper conductors not smaller than No. 22 AWG. Comply with requirements in Section 26 05 19 "Low-Voltage Electrical Power Conductors and Cables."
- C. Class 1 Control Cable: Multiconductor cable with stranded-copper conductors not smaller than No. 18 AWG. Comply with requirements in Section 26 05 19 "Low-Voltage Electrical Power Conductors and Cables."

PART 3 - EXECUTION

3.1 SENSOR INSTALLATION

- A. Coordinate layout and installation of ceiling-mounted devices with other construction that penetrates ceilings or is supported by them, including light fixtures, HVAC equipment, smoke detectors, fire-suppression systems, and partition assemblies.
- B. Install and aim sensors in locations to achieve not less than 90 percent coverage of areas indicated. Do not exceed coverage limits specified in manufacturer's written instructions.

3.2 CONTACTOR INSTALLATION

- A. Mount electrically held lighting contactors with elastomeric isolator pads to eliminate structure-borne vibration, unless contactors are installed in an enclosure with factory-installed vibration isolators.

3.3 WIRING INSTALLATION

- A. Wiring Method: Comply with Section 260519 "Low-Voltage Electrical Power Conductors and Cables." Minimum conduit size is 1/2 inch (13 mm).
- B. Wiring within Enclosures: Comply with NECA 1. Separate power-limited and nonpower-limited conductors according to conductor manufacturer's written instructions.
- C. Size conductors according to lighting control device manufacturer's written instructions unless otherwise indicated.
- D. Splices, Taps, and Terminations: Make connections only on numbered terminal strips in junction, pull, and outlet boxes; terminal cabinets; and equipment enclosures.

3.4 IDENTIFICATION

- A. Identify components and power and control wiring according to Section 260553 "Identification for Electrical Systems."
 - 1. Identify controlled circuits in lighting contactors.
 - 2. Identify circuits or luminaires controlled by photoelectric and occupancy sensors at each sensor.
- B. Label time switches and contactors with a unique designation.

3.5 FIELD QUALITY CONTROL

- A. Testing Agency: Owner will engage a qualified commissioning agent to evaluate lighting control devices and perform tests and inspections.
- B. Manufacturer's Field Service: Engage a factory-authorized service representative to test and inspect components, assemblies, and equipment installations, including connections.
- C. Perform the following tests and inspections with the assistance of a factory-authorized service representative:
 - 1. Operational Test: After installing time switches and sensors, and after electrical circuitry has been energized, start units to confirm proper unit operation.
 - 2. Test and adjust controls and safeties. Replace damaged and malfunctioning controls and equipment.

- D. Lighting control devices will be considered defective if they do not pass tests and inspections.
- E. Prepare test and inspection reports.

3.6 ADJUSTING

- A. Occupancy Adjustments: When requested within **12** months from date of Substantial Completion, provide on-site assistance in adjusting sensors to suit actual occupied conditions. Provide up to **two** visits to Project during other-than-normal occupancy hours for this purpose.
 - 1. For occupancy and motion sensors, verify operation at outer limits of detector range. Set time delay to suit Owner's operations.
 - 2. For daylighting controls, adjust set points and deadband controls to suit Owner's operations.
 - 3. Align high-bay occupancy sensors using manufacturer's laser aiming tool.

3.7 DEMONSTRATION

- A. Coordinate demonstration of products specified in this Section with demonstration requirements for low-voltage, programmable lighting control systems specified in Section 260943.13 "Addressable-Fixture Lighting Controls" and Section 26 09 43 "Relay-Based Lighting Controls."
- B. Train Owner's maintenance personnel to adjust, operate, and maintain lighting control devices.

END OF SECTION

SECTION 26 24 16
PANELBOARDS**PART 1 - GENERAL****1.1 RELATED DOCUMENTS**

- A. Drawings and general provisions of the Contract, including General and Supplementary Conditions and Division 01 Specification Sections, apply to this Section.

1.2 SUMMARY

- A. Section Includes:
 - 1. Distribution panelboards.
 - 2. Lighting and appliance branch-circuit panelboards.

1.3 DEFINITIONS

- A. GFCI: Ground-fault circuit interrupter.
- B. GFEP: Ground-fault equipment protection.
- C. MCCB: Molded-case circuit breaker.
- D. SPD: Surge protective device.
- E. VPR: Voltage protection rating.

1.4 ACTION SUBMITTALS

- A. Product Data: For each type of panelboard.
 - 1. Include materials, switching and overcurrent protective devices, SPDs, accessories, and components indicated.
 - 2. Include dimensions and manufacturers' technical data on features, performance, electrical characteristics, ratings, and finishes.
- B. Shop Drawings: For each panelboard and related equipment.
 - 1. Include dimensioned plans, elevations, sections, and details.
 - 2. Show tabulations of installed devices with nameplates, conductor termination sizes, equipment features, and ratings.
 - 3. Detail enclosure types including mounting and anchorage, environmental protection, knockouts, corner treatments, covers and doors, gaskets, hinges, and locks.
 - 4. Detail bus configuration, current, and voltage ratings.
 - 5. Short-circuit current rating of panelboards and overcurrent protective devices.
 - 6. Include evidence of NRTL listing for SPD as installed in panelboard.
 - 7. Detail features, characteristics, ratings, and factory settings of individual overcurrent protective devices and auxiliary components.

1.5 INFORMATIONAL SUBMITTALS

- A. Qualification Data: For testing agency.
- B. Panelboard Schedules: For installation in panelboards.

1.6 CLOSEOUT SUBMITTALS

- A. Operation and Maintenance Data: For panelboards and components to include in emergency, operation, and maintenance manuals. In addition to items specified in Section 01 78 23 "Operation and Maintenance Data," include the following:
 - 1. Manufacturer's written instructions for testing and adjusting overcurrent protective devices.
 - 2. Time-current curves, including selectable ranges for each type of overcurrent protective device that allows adjustments.

1.7 MAINTENANCE MATERIAL SUBMITTALS

- A. Furnish extra materials that match products installed and that are packaged with protective covering for storage and identified with labels describing contents.
 - 1. Keys: Two spares for each type of panelboard cabinet lock.

1.8 QUALITY ASSURANCE

- A. Manufacturer Qualifications: ISO 9001 or 9002 certified.

1.9 DELIVERY, STORAGE, AND HANDLING

- A. Handle and prepare panelboards for installation according to NEMA PB 1.

1.10 FIELD CONDITIONS

- A. Environmental Limitations:
 - 1. Do not deliver or install panelboards until spaces are enclosed and weathertight, wet work in spaces is complete and dry, work above panelboards is complete, and temporary HVAC system is operating and maintaining ambient temperature and humidity conditions at occupancy levels during the remainder of the construction period.
 - 2. Rate equipment for continuous operation under the following conditions unless otherwise indicated:
 - a. Ambient Temperature: Not exceeding 23 deg F (minus 5 deg C) to plus 104 deg F (plus 40 deg C).
 - b. Altitude: Not exceeding 6600 feet (2000 m).
- B. Service Conditions: NEMA PB 1, usual service conditions, as follows:
 - 1. Ambient temperatures within limits specified.
 - 2. Altitude not exceeding 6600 feet (2000 m).
- C. Interruption of Existing Electric Service: Do not interrupt electric service to facilities occupied by Owner or others unless permitted under the following conditions and then only after arranging to provide temporary electric service according to requirements indicated:
 - 1. Notify Owner no fewer than two weeks in advance of proposed interruption of electric service.
 - 2. Do not proceed with interruption of electric service without Owner's written permission.
 - 3. Comply with NFPA 70E.

1.11 WARRANTY

- A. Manufacturer's Warranty: Manufacturer agrees to repair or replace panelboards that fail in materials or workmanship within specified warranty period.
 - 1. Panelboard Warranty Period: 18 months from date of Substantial Completion.
- B. Special Warranty: Manufacturer's standard form in which manufacturer agrees to repair or replace SPD that fails in materials or workmanship within specified warranty period.
 - 1. SPD Warranty Period: Five years from date of Substantial Completion.

1.12 BIDDING

- A. Bid Form: Provide bid form with package pricing for each manufacturer listed in this specification.

PART 2 - PRODUCTS**2.1 PANELBOARDS COMMON REQUIREMENTS**

- A. Fabricate and test panelboards according to IEEE 344 to withstand seismic forces defined in Section 26 05 48 "Seismic Controls for Electrical Systems."

- B. Product Selection for Restricted Space: Drawings indicate maximum dimensions for panelboards including clearances between panelboards and adjacent surfaces and other items. Comply with indicated maximum dimensions.
- C. Electrical Components, Devices, and Accessories: Listed and labeled as defined in NFPA 70, by a qualified testing agency, and marked for intended location and application.
- D. Comply with NEMA PB 1.
- E. Comply with NFPA 70.
- F. Enclosures: Flush and Surface-mounted, dead-front cabinets as indicated on drawings.
 - 1. Rated for environmental conditions at installed location.
 - a. Indoor Dry and Clean Locations: NEMA 250, Type 1.
 - b. Outdoor Locations including in water feature vaults: NEMA 250, Type 4X, stainless steel.
 - c. Kitchen Areas: NEMA 250, Type 4X, stainless steel.
 - d. Other Wet or Damp Indoor Locations: NEMA 250, Type 4.
 - 2. Height: 84 inches (2.13 m) maximum.
 - 3. Hinged Front Cover: Entire front trim hinged to box and with standard door within hinged trim cover. Trims shall cover all live parts and shall have no exposed hardware.
 - 4. Finishes:
 - a. Panels and Trim: Steel and galvanized steel, unless stainless steel is specified elsewhere, factory finished immediately after cleaning and pretreating with manufacturer's standard two-coat, baked-on finish consisting of prime coat and thermosetting topcoat.
 - b. Back Boxes: Galvanized steel.
- G. Incoming Mains:
 - 1. Location: Convertible between top and bottom.
- H. Phase, Neutral, and Ground Buses:
 - 1. Material: Hard-drawn copper, 98 percent conductivity.
 - a. Plating shall run entire length of bus.
 - b. Bus shall be fully rated the entire length.
 - 2. Interiors shall be factory assembled into a unit. Replacing switching and protective devices shall not disturb adjacent units or require removing the main bus connectors.
 - 3. Equipment Ground Bus: Adequate for feeder and branch-circuit equipment grounding conductors; bonded to box.
 - 4. Isolated Ground Bus: Adequate for branch-circuit isolated ground conductors; insulated from box. Only required where indicated on drawings.
 - 5. Full-Sized Neutral: Equipped with full-capacity bonding strap for service entrance applications. Mount electrically isolated from enclosure. Do not mount neutral bus in gutter.
- I. Conductor Connectors: Suitable for use with conductor material and sizes.
 - 1. Material: Hard-drawn copper, 98 percent conductivity.
 - 2. Terminations shall allow use of 75 deg C rated conductors without derating.
 - 3. Size: Lugs suitable for indicated conductor sizes, with additional gutter space, if required, for larger conductors.
 - 4. Main and Neutral Lugs: Mechanical type, with a lug on the neutral bar for each pole in the panelboard.
 - 5. Ground Lugs and Bus-Configured Terminators: Mechanical type, with a lug on the bar for each pole in the panelboard.
 - 6. Subfeed (Double) Lugs: Mechanical type suitable for use with conductor material. Locate at same end of bus as incoming lugs or main device.

- J. NRTL Label: Panelboards shall be labeled by an NRTL acceptable to authority having jurisdiction for use as service equipment with one or more main service disconnecting and overcurrent protective devices. Panelboards or load centers shall have meter enclosures, wiring, connections, and other provisions for utility metering. Coordinate with utility company for exact requirements.
- K. Future Devices: Panelboards shall have mounting brackets, bus connections, filler plates, and necessary appurtenances required for future installation of devices at all locations that are indicated in schedules as space or provision. Note that schedules may include provisions or spaces that are not shown on the one-line diagrams.
- L. Panelboard Short-Circuit Current Rating: Fully rated to interrupt symmetrical short-circuit current available at terminals. Assembly listed by an NRTL for 100 percent interrupting capacity.
 - 1. Panelboards and overcurrent protective devices rated 240 V or less shall have short-circuit ratings as shown on Drawings, but not less than 10,000 A rms symmetrical.
 - 2. Panelboards and overcurrent protective devices rated above 240 V and less than 600 V shall have short-circuit ratings as shown on Drawings, but not less than 14,000 A rms symmetrical.
- M. SPD.
 - 1. Peak Surge Current Rating: The minimum single-pulse surge current withstand rating per phase shall not be less than 100 kA. The peak surge current rating shall be the arithmetic sum of the ratings of the individual MOVs in a given mode.
 - 2. Protection modes and UL 1449 VPR for grounded wye circuits with 480Y/277 V and 208Y/120 V, three-phase, four-wire circuits shall not exceed the following:
 - a. Line to Neutral: 1200 V for 480Y/277 V / 700 V for 208Y/120 V.
 - b. Line to Ground: 1200 V for 480Y/277 V / 700 V for 208Y/120 V.
 - c. Neutral to Ground: 1200 V for 480Y/277 V / 700 V for 208Y/120 V.
 - d. Line to Line: 2000 V for 480Y/277 V / 1200 V for 208Y/120 V.
 - 3. SCCR: Equal to the SCCR of the panelboard in which installed or exceed 100 kA.

2.2 PERFORMANCE REQUIREMENTS

- A. Seismic Performance: Panelboards shall withstand the effects of earthquake motions determined according to ASCE/SEI 7
 - 1. The term "withstand" means "the unit will remain in place without separation of any parts from the device when subjected to the seismic forces specified and will continue to function after the seismic event."
- B. Surge Suppression: Factory installed as an integral part of indicated panelboards, complying with UL 1449 SPD Type 1.

2.3 POWER PANELBOARDS

- A. Manufacturers: Subject to compliance with requirements, provide products by one of the following:
 - 1. Eaton.
 - 2. General Electric Company; GE Energy Management - Electrical Distribution.
 - 3. Siemens Energy.
 - 4. Square D; by Schneider Electric.
- B. Panelboards: NEMA PB 1, distribution type.
- C. Mains: Circuit breaker or Lugs only as indicated on drawings.
- D. Branch Overcurrent Protective Devices: Bolt-on circuit breakers.

2.4 LIGHTING AND APPLIANCE BRANCH-CIRCUIT PANELBOARDS

- A. Manufacturers: Subject to compliance with requirements, provide products by one of the following:

1. Eaton.
 2. General Electric Company; GE Energy Management - Electrical Distribution.
 3. Siemens Energy.
 4. Square D; by Schneider Electric.
- B. Panelboards: NEMA PB 1, lighting and appliance branch-circuit type.
- C. Mains: Circuit breaker or lugs only as indicated on drawings.
- D. Branch Overcurrent Protective Devices: Bolt-on circuit breakers, replaceable without disturbing adjacent units.
- E. Doors: Door-in-door construction with concealed hinges; secured with multipoint latch with tumbler lock; keyed alike. Outer door shall permit full access to the panel interior. Inner door shall permit access to breaker operating handles and labeling, but current carrying terminals and bus shall remain concealed.

2.5 DISCONNECTING AND OVERCURRENT PROTECTIVE DEVICES

- A. Manufacturers: Subject to compliance with requirements, provide products by one of the following:
1. Eaton.
 2. General Electric Company; GE Energy Management - Electrical Distribution.
 3. Siemens Energy.
 4. Square D; by Schneider Electric.
- B. MCCB: Comply with UL 489, with interrupting capacity to meet available fault currents.
1. Thermal-Magnetic Circuit Breakers:
 - a. Inverse time-current element for low-level overloads.
 - b. Instantaneous magnetic trip element for short circuits.
 - c. Adjustable magnetic trip setting for circuit-breaker frame sizes 250 A and larger.
 2. Adjustable Instantaneous-Trip Circuit Breakers: Magnetic trip element with front-mounted, field-adjustable trip setting.
 3. Electronic Trip Circuit Breakers:
 - a. RMS sensing.
 - b. Field-replaceable rating plug or electronic trip.
 - c. Digital display of settings, trip targets, and indicated metering displays.
 - d. Multi-button keypad to access programmable functions and monitored data.
 - e. Ten-event, trip-history log. Each trip event shall be recorded with type, phase, and magnitude of fault that caused the trip.
 - f. Integral test jack for connection to portable test set or laptop computer.
 - g. Field-Adjustable Settings:
 - 1) Instantaneous trip.
 - 2) Long- and short-time pickup levels.
 - 3) Long and short time adjustments.
 - 4) Ground-fault pickup level, time delay, and I squared T response.
 4. Current-Limiting Circuit Breakers: Frame sizes 400 A and smaller; let-through ratings less than NEMA FU 1, RK-5.
 5. GFCI Circuit Breakers: Single- and double-pole configurations with Class A ground-fault protection (6-mA trip).
 6. GFEP Circuit Breakers: Class B ground-fault protection (30-mA trip).
 7. MCCB Features and Accessories:
 - a. Standard frame sizes, trip ratings, and number of poles.
 - b. Breaker handle indicates tripped status.
 - c. UL listed for reverse connection without restrictive line or load ratings.
 - d. Lugs: Mechanical style, suitable for number, size, trip ratings, and conductor materials.
 - e. Application Listing: Appropriate for application; Type SWD for switching fluorescent lighting loads; Type HID for feeding fluorescent and HID lighting circuits.

- f. Ground-Fault Protection: Integrally mounted relay and trip unit with adjustable pickup and time-delay settings, push-to-test feature, and ground-fault indicator.
- g. Shunt Trip: 120-V trip coil energized from separate circuit, set to trip at 55 percent of rated voltage.
- h. Undervoltage Trip: Set to operate at 35 to 75 percent of rated voltage with field-adjustable 0.1- to 0.6-second time delay.
- i. Handle Padlocking Device: Fixed attachment, for locking circuit-breaker handle in on or off position.
- j. Handle Clamp: Loose attachment, for holding circuit-breaker handle in on position.

2.6 INSTRUMENTATION

- A. Instrument Transformers: NEMA EI 21.1, and the following:
 - 1. Potential Transformers: NEMA EI 21.1; 120 V, 60 Hz, single secondary; disconnecting type with integral fuse mountings. Burden and accuracy shall be consistent with connected metering and relay devices.
 - 2. Current Transformers: NEMA EI 21.1; 5 A, 60 Hz, secondary; wound type; single secondary winding and secondary shorting device. Burden and accuracy shall be consistent with connected metering and relay devices.
- B. Multifunction Digital-Metering Monitor: Microprocessor-based unit suitable for three- or four-wire systems and with the following features:
 - 1. Switch-selectable digital display of the following values with maximum accuracy tolerances as indicated:
 - a. Phase Currents, Each Phase and Neutral: Plus or minus 0.5 percent.
 - b. Phase-to-Phase Voltages, Three Phase: Plus or minus 0.5 percent.
 - c. Phase-to-Neutral Voltages, Three Phase: Plus or minus 0.5 percent.
 - d. Megawatts: Plus or minus 1 percent.
 - e. Megavars: Plus or minus 1 percent.
 - f. Power Factor: Plus or minus 1 percent.
 - g. Frequency: Plus or minus 0.1 percent.
 - h. Phase-to-Neutral % Total Harmonic Distortion (THD)
 - i. Phase Current % Total Harmonic Distortion (THD)
 - j. Accumulated Energy, Megawatt Hours: Plus or minus 1 percent; accumulated values unaffected by power outages up to 72 hours.
 - k. Megawatt Demand: Plus or minus 1 percent; demand interval programmable from five to 60 minutes.
 - 2. Mounting: Display and control unit flush or semiflush mounted in instrument compartment door or remote mounted adjacent to panelboard. Where multiple panelboard meters are located within the same electrical room the meters may be mounted in a single enclosure with identification that clearly indicates the panelboard associated with the meter. Provide a separate meter for each panelboard that is indicated to have a meter installed.
 - 3. Communication Format: BACnet / IP Ethernet.
 - a.

2.7 IDENTIFICATION

- A. Panelboard Label: Manufacturer's name and trademark, voltage, amperage, number of phases, and number of poles shall be located on the interior of the panelboard door.
- B. Breaker Labels: Faceplate shall list current rating, UL and IEC certification standards, and AIC rating.
- C. Circuit Directory: Computer-generated circuit directory mounted inside panelboard door with transparent plastic protective cover.
 - 1. Circuit directory shall identify specific purpose with detail sufficient to distinguish it from all other circuits.

2.8 ISOLATED POWER SYSTEM PANELBOARDS

- A. Manufacturers: Subject to compliance with requirements, provide products by one of the following:
1. Square D; by Schneider Electric.
 2. Isotrol/Bender
 3. PG LifeLink
- B. This section covers Isolated Power Panels Dual Systems that incorporate two (2) isolation transformers, two (2) primary circuit breaker, two (2) or more isolated ungrounded secondary circuits connected by conduit to remotely located receptacles, two (2) reference ground buses, and two (2) Line Isolation Monitors (LIM). There must be provisions for connection to remote indicators.
- C. The equipment must be listed under UL1047 - Isolated Power Systems Equipment. The Components of these products covered under this standard are judged to include, but are not necessarily limited to the following:
1. Article 517 of the National Electric Code, NFPA 70
 2. Standard for Health Care Facilities, NFPA 99
 3. Standard for Line Isolation Monitors, UL 1022
 4. Standard for Specialty Transformers, UL 506
 5. Standard for Cabinets and Boxes, UL 50
- D. Product: this section imposes additional constraints on the product addressing such topics as construction details, size, operator interface, and component performance. This information is intended to supplement the requirements imposed by UL 1047 which is the guiding and governing document in all matters concerning this specification.
- E. Enclosure for single phase isolated power panels dual systems up to 10kva:
1. Backbox: flush mounted units shall be fabricated from 14GA galvanized sheet steel. There shall be a space for a backplate and a transformer shelf to mount an upright isolation transformer. The dimensions of the backbox shall be 71"H x 34"W x 8"D.
 2. Backplate: fabricated from 12GA galvanized sheet steel. The backplate shall provide a mounting surface for all isolated power panel components except for the isolation transformer. The backplate shall be mounted to the backbox by means of four (4) 1/4" - 20 studs.
 3. Heat Shield (Vertical & Horizontal): The vertical heat shield shall be .090" aluminum and the horizontal heat shield shall be 14GA galvanized sheet steel.
- F. Front Trim: Shall be fabricated from 14GA Type 304 Stainless Steel, with #4 brushed finish and shall contain a flush door covering each circuit breaker section. Each door shall contain a flush, keylocking slam-latch capable of being latched whether the latches are locked or not. A door stop shall be firmly attached to the interior of the front trim. All panels shall be keyed alike. Front trim shall contain one (1) cut out for each LIM, which shall remain visible at all times. The front trim for flush mounted units extends 1" on all sides of the backbox. The front trim shall be attached to the backbox by means of twenty (20) #10-32 x 1" Stainless Steel Oval Head Phillips machine screws and twenty (20) #10 Stainless Steel finishing washers.
- G. Isolation Transformers:
1. Two (2) single phase, 50 or 60Hz with 480 volt, single phase, primary and 120 volt secondary.
 2. Class H rated insulation.
 3. Electrostatic shield between primary and secondary windings grounded to enclosure.
 4. Electrostatic shield designed so that it will prevent direct shorting of primary winding to secondary winding, and will reduce the coupling of harmonic distortions between the primary and secondary circuits.
 5. Core is of stacked design, securely clamped.
 6. Core and coil vacuum impregnated with final wrap of insulating material.
 7. Core and coils isolated from enclosure by means of a vibration dampening system.

8. Total leakage current to ground from transformer secondary winding in compliance with UL1047, Tables 30.1 and 30.2.
 9. Maximum sound level of transformer: 35dB for 10 kVA units.
 10. Temperature rise limited to 115 degree C above ambient under full load conditions.
 11. Transformers UL listed or recognized as a component for the voltages, amperages, and kVA ratings required.
- H. Line Isolation Monitors (LIM):
1. Solid state modular assembly of printed circuit boards utilizing SMD technology.
 2. Continuous monitoring of the impedance of each phase to ground.
 3. Must be capable of detecting all combinations of capacitive, resistive, balanced, unbalanced and hybrid faults.
 4. Total Hazard Current (THC) set at the factory to either 2mA or 5mA and shall be field adjustable to either milliampere.
 5. Combined analog and digital display of THC.
 6. Audible alarm which sounds in the event of a hazardous condition.
 7. Indicating LEDs to visually indicate the status of the system. Green to indicate "SAFE", red to indicate "HAZARD" and amber to indicate that the audible alarm is in the "MUTE" mode. All LEDs and buttons shall be flush with the face of the LIM.
 8. A "TEST" button on the LIM faces shall be activated to test all LIM functions. It shall not be possible to leave the button in the "TEST" position.
 9. The LIMs shall perform an automatic self-calibration and self-check every twelve hours. An error code display shall alert the staff of an anomaly in the LIM / System operation.
 10. Shall contain overload protection with an automatic reset feature.
 11. It shall be possible to order the LIMs with an optional RS485 communication port and load monitoring.
 12. Field terminals shall be available for wiring remote LIM indicators with or without a display of THC.
 13. Shall be UL Recognized as a component.
 14. Shall have an easy to clean rugged Lexon front foil.
- I. Primary Circuit Breaker: Shall be one in each section, two-pole sized in accordance with NFPA 70 (N.E.C.) and UL 1047 Standard and selected based on the transformer 480 volt primary voltage on the one-line diagrams. Full size, thermal magnetic type, with minimum 14,000 AIC rating. Primary breaker shall be from same manufacturer that is used for all other panelboards and switchboards.
- J. Secondary Branch Circuit Breakers: Two-pole, bolt-on type, ampacities, and quantities based on the contract documents for each section. Sized in accordance with NFPA 70-2011 (N.E.C.) and UL 1047 Standard. Full size, thermal magnetic type with minimum 10,000 AIC. Secondary breakers shall be from same manufacturer that is used for all other panelboards and switchboards. Minimum 16 each for per isolation transformer.
- K. Bus Bars: Copper.
- L. Reference Ground Bus: Shall be copper and shall contain one (1) reference grounding buses for each section, each with a minimum of one (1) #4-2/0 main lugs and nineteen (19) #14-4 grounding lugs.
- M. Remote Indicators for line isolation monitors: For each section of each Isolated Power Panel provide a single or multiple gang remote indicator which duplicates the audible and visual alarm indications of the LIM installed in the Isolated Power Panel Dual System. The remote indicator shall contain a green "SAFE" LED a red "HAZARD" LED and a "MUTE" button with integral amber LED. The remote indicator shall function as follows:
1. The green LED stays illuminated when the leakage current is within predetermined limits.
 2. The green LED extinguishes and the red LED illuminates when the predetermined limit is exceeded; an audible alarm also sounds.

3. When depressed, the "MUTE" button shall mute the audible alarm signal. Actuation of this button shall cause the integral amber LED to illuminate, indicating that the audible alarm has been silenced.
4. When the leakage current has returned to the acceptable limit level, the alarm indicators shall automatically reset.
5. Provide THC digital display.

2.9 ACCESSORY COMPONENTS AND FEATURES

- A. Accessory Set: Include tools and miscellaneous items required for overcurrent protective device test, inspection, maintenance, and operation.
- B. Portable Test Set: For testing functions of solid-state trip devices without removing from panelboard. Include relay and meter test plugs suitable for testing panelboard meters and switchboard class relays.

PART 3 - EXECUTION

3.1 EXAMINATION

- A. Verify actual conditions with field measurements prior to ordering panelboards to verify that equipment fits in allocated space in, and comply with, minimum required clearances specified in NFPA 70.
- B. Receive, inspect, handle, and store panelboards according to NEMA PB 1.1.
- C. Examine panelboards before installation. Reject panelboards that are damaged, rusted, or have been subjected to water saturation.
- D. Examine elements and surfaces to receive panelboards for compliance with installation tolerances and other conditions affecting performance of the Work.
- E. Proceed with installation only after unsatisfactory conditions have been corrected.

3.2 INSTALLATION

- A. Coordinate layout and installation of panelboards and components with other construction that penetrates walls or is supported by them, including electrical and other types of equipment, raceways, piping, encumbrances to workspace clearance requirements, and adjacent surfaces. Maintain required workspace clearances and required clearances for equipment access doors and panels.
- B. Comply with NECA 1.
- C. Install panelboards and accessories according to NEMA PB 1.1.
- D. Equipment Mounting:
 1. Install panelboards on cast-in-place concrete equipment base(s). Comply with requirements for equipment bases and foundations specified in Section 03 30 00 "Cast-in-Place Concrete" or Section 03 30 53 "Miscellaneous Cast-in-Place Concrete."
 2. Attach panelboard to the vertical finished or structural surface behind the panelboard.
 3. Comply with requirements for seismic control devices specified in Section 260548.16 "Seismic Controls for Electrical Systems."
- E. Temporary Lifting Provisions: Remove temporary lifting eyes, channels, and brackets and temporary blocking of moving parts from panelboards.
- F. Comply with mounting and anchoring requirements specified in Section 26 05 48 "Seismic Controls for Electrical Systems."
- G. Mount top of trim 90 inches (2286 mm) above finished floor unless otherwise indicated.
- H. Mount panelboard cabinet plumb and rigid without distortion of box.

- I. Mount recessed panelboards with fronts uniformly flush with wall finish and mating with back box.
- J. Mounting panelboards with space behind is recommended for damp, wet, or dirty locations. The steel slotted supports in the following paragraph provide an even mounting surface and the recommended space behind to prevent moisture or dirt collection.
- K. Mount surface-mounted panelboards to steel slotted supports 5/8 inch (16 mm) in depth. Orient steel slotted supports vertically.
- L. Install overcurrent protective devices and controllers not already factory installed.
 - 1. Set field-adjustable, circuit-breaker trip ranges.
 - 2. Tighten bolted connections and circuit breaker connections using calibrated torque wrench or torque screwdriver per manufacturer's written instructions.
- M. Make grounding connections and bond neutral for services and separately derived systems to ground. Make connections to grounding electrodes, separate grounds for isolated ground bars, and connections to separate ground bars.
- N. Install filler plates in unused spaces.
- O. For flush mounted panels only stub four 1-inch (27-EMT) empty conduits from panelboard into accessible ceiling space or space designated to be ceiling space in the future. Stub four 1-inch (27-EMT) empty conduits into raised floor space or below slab not on grade.
- P. Arrange conductors in gutters into groups and bundle and wrap with wire ties.
- Q. Isolated Power System Installation:
 - 1. Type XHHW wire with crosslinked polyethylene insulation and a dielectric constant of 3.5 or less shall be used for all branch circuit wiring.

3.3 IDENTIFICATION

- A. Identify field-installed conductors, interconnecting wiring, and components; install warning signs complying with requirements in Section 26 05 53 "Identification for Electrical Systems."
- B. Create a directory to indicate installed circuit loads; incorporate Owner's final room designations. Obtain approval before installing. Handwritten directories are not acceptable. Install directory inside panelboard door.
- C. Panelboard Nameplates: Label each panelboard with a nameplate complying with requirements for identification specified in Section 26 05 53 "Identification for Electrical Systems."
- D. Device Nameplates: Label each branch circuit device in power panelboards with a nameplate complying with requirements for identification specified in Section 26 05 53 "Identification for Electrical Systems."
- E. Install warning signs complying with requirements in Section 26 05 53 "Identification for Electrical Systems" identifying source of remote circuit.

3.4 FIELD QUALITY CONTROL

- A. Manufacturer's Field Service: Engage a factory-authorized service representative to inspect, test, and adjust components, assemblies, and equipment installations, including connections.
- B. Perform tests and inspections.
 - 1. Manufacturer's Field Service: Engage a factory-authorized service representative to inspect components, assemblies, and equipment installations, including connections, and to assist in testing.
- C. Acceptance Testing Preparation:
 - 1. Test insulation resistance for each panelboard bus, component, connecting supply, feeder, and control circuit.
 - 2. Test continuity of each circuit.

- D. Tests and Inspections:
1. Perform each visual and mechanical inspection and electrical test for low-voltage surge arrestors stated in NETA ATS, Paragraph 7.19.1 Surge Arrestors, Low-Voltage. Do not perform optional tests. Certify compliance with test parameters.
 2. Correct malfunctioning units on-site, where possible, and retest to demonstrate compliance; otherwise, replace with new units and retest.
 3. Perform the following infrared scan tests and inspections and prepare reports:
 - a. Initial Infrared Scanning: After Substantial Completion, but not more than 60 days after Final Acceptance, perform an infrared scan of each panelboard. Remove front panels so joints and connections are accessible to portable scanner.
 - b. Follow-up Infrared Scanning: Perform an additional follow-up infrared scan of each panelboard 11 months after date of Substantial Completion.
 - c. Instruments and Equipment:
 - 1) Use an infrared scanning device designed to measure temperature or to detect significant deviations from normal values. Provide calibration record for device.
- E. Panelboards will be considered defective if they do not pass tests and inspections.
- F. Prepare test and inspection reports, including a certified report that identifies panelboards included and that describes scanning results, with comparisons of the two scans. Include notation of deficiencies detected, remedial action taken, and observations after remedial action.

3.5 TESTING AND CERTIFICATIONS FOR ISOLATED POWER SYSTEMS

- A. An engineer or senior technician shall be provided by the manufacturer for final testing and acceptance of the Isolated Power System. The following tasks shall be performed:
1. Simulate faults using the manufacturer's test kit, or equivalent.
 2. Repeat this test at each receptacle to ascertain that the LIM and associated branch circuit are functioning properly.
 3. Check the calibration of the LIM meter using the manufacturer's test kit, or equivalent, and record the readings. Record the date and data in a permanent log book.
 4. Certify that the system is properly installed and in correct working order.

3.6 ADJUSTING

- A. Adjust moving parts and operable components to function smoothly, and lubricate as recommended by manufacturer.
- B. Set field-adjustable circuit-breaker trip ranges as specified in Section 26 05 73 "Overcurrent Protective Device Coordination Study."

END OF SECTION

SECTION 26 27 26
WIRING DEVICES**PART 1 - GENERAL****1.1 RELATED DOCUMENTS**

- A. Drawings and general provisions of the Contract, including General and Supplementary Conditions and Division 01 Specification Sections, apply to this Section.

1.2 SUMMARY

- A. Section Includes:
 - 1. Receptacles, receptacles with integral GFCI, and associated device plates.
 - 2. Twist-locking receptacles.
 - 3. USB charger devices.
 - 4. Isolated-ground receptacles.
 - 5. Hospital-grade receptacles.
 - 6. Tamper-resistant receptacles.
 - 7. Weather-resistant receptacles.
 - 8. Snap switches and wall-box dimmers.
 - 9. Floor service outlets (floor boxes) and poke-through assemblies.
 - 10. Pendant Cord Connector Devices (Drop Cords).
 - 11. Cord Reels

1.3 DEFINITIONS

- A. EMI: Electromagnetic interference.
- B. GFCI: Ground-fault circuit interrupter.
- C. Pigtail: Short lead used to connect a device to a branch-circuit conductor.
- D. RFI: Radio-frequency interference.

1.4 ADMINISTRATIVE REQUIREMENTS

- A. Coordination:
 - 1. Receptacles for Owner-Furnished Equipment: Match plug configurations.
 - 2. Cord and Plug Sets: Match equipment requirements.

1.5 ACTION SUBMITTALS

- A. Product Data: For each type of product.

1.6 INFORMATIONAL SUBMITTALS

- A. Field quality-control reports.

1.7 CLOSEOUT SUBMITTALS

- A. Operation and Maintenance Data: For wiring devices to include in all manufacturers' packing-label warnings and instruction manuals that include labeling conditions.

PART 2 - PRODUCTS**2.1 MANUFACTURERS**

- A. Manufacturers: Subject to compliance with requirements, provide products by one of the following:
 - 1. Eaton (Arrow Hart).
 - 2. Hubbell Incorporated; Wiring Device-Kellems.

3. Leviton Manufacturing Co., Inc.
 4. Pass & Seymour/Legrand (Pass & Seymour).
- B. Source Limitations: Obtain each type of wiring device and associated wall plate from single source from single manufacturer.

2.2 GENERAL WIRING-DEVICE REQUIREMENTS

- A. Wiring Devices, Components, and Accessories: Listed and labeled as defined in NFPA 70, by a qualified testing agency, and marked for intended location and application.
- B. Comply with NFPA 70.
- C. All devices must be manufactured for use with modular plug-in connectors, shall comply with UL 2459 and shall be made with stranded building wire. Devices shall comply with the requirements in this Section.

2.3 STRAIGHT-BLADE RECEPTACLES

- A. Hospital-Grade, Tamper Resistant, Duplex Convenience Receptacles, 125 V, 20 A: Comply with NEMA WD 1, NEMA WD 6 Configuration 5-20R, UL 498 Supplement sd, and FS W-C-596.
1. Description: Single-piece, rivetless, nickel-plated, all-brass grounding system. Nickel-plated, brass mounting strap. Mechanical shutter system to help prevent insertion of foreign objects. Labeled shall comply with NFPA 70, "Health Care Facilities" Article, "Pediatric Locations" Section.
- B. Isolated-Ground, Duplex Convenience Receptacles, 125 V, 20 A: Comply with NEMA WD 1, NEMA WD 6 Configuration 5-20R, UL 498, and FS W-C-596.
1. Description: Straight blade; equipment grounding contacts shall be connected only to the green grounding screw terminal of the device and with inherent electrical isolation from mounting strap. Isolation shall be integral to receptacle construction and not dependent on removable parts.
- C. Tamper-Resistant Convenience Receptacles, 125 V, 20 A: Comply with NEMA WD 1, NEMA WD 6 Configuration 5-20R, UL 498 Supplement sd, and FS W-C-596.
1. Description: Labeled shall comply with NFPA 70, "Health Care Facilities" Article, "Pediatric Locations" Section.

2.4 GFCI RECEPTACLES

- A. General Description:
1. Straight blade, non-feed-through type.
 2. Comply with NEMA WD 1, NEMA WD 6, UL 498, UL 943 Class A, and FS W-C-596.
 3. Include indicator light that shows when the GFCI has malfunctioned and no longer provides proper GFCI protection.
- B. Tamper-Resistant GFCI Convenience Receptacles, 125 V, 20 A:
- C. Hospital-Grade, Tamper Resistant, Duplex GFCI Convenience Receptacles, 125 V, 20 A: Comply with NEMA WD 1, NEMA WD 6 Configuration 5-20R, UL 498 Supplement sd, and FS W-C-596.
- 1.

2.5 TWIST-LOCKING RECEPTACLES

- A. Provide NEMA configurations as indicated on drawings.

2.6 PENDANT CORD-CONNECTOR DEVICES

- A. Description:
1. Matching, locking-type plug and receptacle body connector.
 2. NEMA WD 6 Configurations L5-20P and L5-20R, heavy-duty grade, and FS W-C-596.
 3. Body: Nylon, with screw-open, cable-gripping jaws and provision for attaching external cable grip.

4. External Cable Grip: Woven wire-mesh type made of high-strength, galvanized-steel wire strand, matched to cable diameter, and with attachment provision designed for corresponding connector.

2.7 CORD REELS

- A. Manufacturers: Subject to compliance with requirements, provide products by one of the following:
 1. Kitchen Leash by APC Group
- B. Description:
 1. Molded Polypropylene Housing.
 2. Retracting cord with adjustable stop.
 3. SJOW Power cord, 10 foot; rated 200 degrees.
 4. Receptacles Dual Duplex NEMA 5-20R unless noted otherwise.
 5. Impact: UL746C
 6. Hose Down: CSA 6.8.2
 7. Strain Relief: CSA 6.4
 8. Flame Retardant: UL 94-94V-2
 9. Mounting Bracket for ceiling mount.

2.8 CORD AND PLUG SETS

- A. Description:
 1. Match voltage and current ratings and number of conductors to requirements of equipment being connected.
 2. Cord: Rubber-insulated, stranded-copper conductors, with Type SOW-A jacket; with green-insulated grounding conductor and ampacity of at least 130 percent of the equipment rating.
 3. Plug: Nylon body and integral cable-clamping jaws. Match cord and receptacle type for connection.

2.9 TOGGLE SWITCHES

- A. Comply with NEMA WD 1, UL 20, and FS W-S-896.
- B. Switches, 120/277 V, 20 A:
 1. Single Pole and Three Way:
 - a. Manufacturers: Subject to compliance with requirements, provide products by one of the following:
 - 1) Eaton (Arrow Hart).
 - 2) Hubbell Incorporated; Wiring Device-Kellems.
 - 3) Leviton Manufacturing Co., Inc.
 - 4) Pass & Seymour/Legrand (Pass & Seymour).
- C. Key-Operated Switches, 120/277 V, 20 A:
 1. Description: Single pole, with factory-supplied key in lieu of switch handle.
- D. Momentary Contact Switches: 2-Button, Single Pole, Low-voltage switch, mounts in standard single gang ring.
- E. Key-Operated, Single-Pole, Double-Throw, Momentary-Contact, Center-off Switches: 120/277 V, 20 A; for use with mechanically held lighting contactors, with factory-supplied key in lieu of switch handle.

2.10 WALL-BOX DIMMERS

- A. Dimmer Switches: Modular, full-wave, solid-state units with integral, quiet on-off switches, with audible frequency and EMI/RFI suppression filters.
- B. Control: Continuously adjustable slider; with single-pole or three-way switching. Comply with UL 1472.

- C. Incandescent Lamp Dimmers: 120 V; control shall follow square-law dimming curve. On-off switch positions shall bypass dimmer module for off.
 - 1. These shall be used to control power modules driving large quantity of LED drivers using 0-10VDC control signals. This interface shall operate either 120 or 277 volt circuits, 200 ma rating.
- D. LED Dimmer Switches: Modular; compatible with LED drivers; trim potentiometer to adjust low-end dimming used where “LR” is shown, otherwise full range of 1% to 100% light or as noted. This dimmer shall operate either 120 or 277 volt circuits, 28 ma minimum rating.

2.11 WALL PLATES

- A. Single and combination types shall match corresponding wiring devices.
 - 1. Plate-Securing Screws: Metal with head color to match plate finish.
 - 2. Material for Finished Spaces, except Operating Rooms and Food Service Kitchen: Smooth, high-impact thermoplastic.
 - 3. Material for Operating Rooms and Food Service Kitchen: 0.035-inch- (1-mm-) thick, satin-finished, Type 302 stainless steel.
 - 4. Material for Unfinished Spaces: Galvanized steel.
 - 5. Material for Damp Locations: Cast aluminum with spring-loaded lift cover, and listed and labeled for use in wet and damp locations.
- B. Wet-Location, Weatherproof Cover Plates: NEMA 250, complying with Type 3R, weather-resistant, die-cast aluminum with lockable, weatherproof-in-use cover.

2.12 FLOOR SERVICE FITTINGS

- A. Manufacturers: Subject to compliance with requirements, provide products by the following:
 - 1. Wiremold / Legrand.
- B. Type: Modular, flush-type, dual- or multi- service units suitable for wiring method used.
- C. Compartments: Barrier separates power from voice and data communication cabling.
- D. Service Plate: Round, die-cast aluminum with satin finish.
- E. Power Receptacle: NEMA WD 6 Configuration 5-20R, gray finish, unless otherwise indicated.
- F. Voice and Data Communication Outlet: Two modular, keyed, color-coded, RJ-45 jacks for UTP cable complying with requirements in owner’s Section 27 00 00 requirements.
- G. Description by Device Type:
 - 1. FB #1, Furniture Power Feed. Ratchet-Pro Series.
 - 2. FB #2, Furniture Data Feed. Ratchet-Pro Series with 2” conduit.
 - 3. FB #3, Two Duplex Receptacle, Up to 4 Data Ports. Ratchet-Pro Series
 - 4. FB #4, One Duplex Receptacle. Ratchet-Pro Series.
 - 5. FB #5, One Duplex Receptacle, One Data Outlet (up to 4 ports), AV Connector. Evolution Series.
 - 6. FB #6, One Duplex Receptacle, One USB^B charger device. **Evolution Series.**

2.13 POKE-THROUGH ASSEMBLIES

- A. Manufacturers: Subject to compliance with requirements, provide products by the following:
 - 1. Wiremold / Legrand.
- B. Description:
 - 1. Factory-fabricated and -wired assembly of below-floor junction box with multichanneled, through-floor raceway/firestop unit and detachable matching floor service-outlet assembly.
 - 2. Comply with UL 514 scrub water exclusion requirements.
 - 3. Size: Selected to fit cored holes in floor and matched to floor thickness.
 - 4. Fire Rating: Unit is listed and labeled for fire rating of floor-ceiling assembly.
 - 5. Closure Plug: Arranged to close unused cored openings and reestablish fire rating of floor.
- C. Description by Device Type:

1. PT #1, Furniture Power Feed. 4FFATC Series.
2. PT #2, Furniture Data Feed. RC7AM with 2" trade size conduit.
3. PT #3, Two Duplex Receptacle, Up to 4 Data Ports. RC4 Series.
4. PT #4, One Duplex Receptacle. RC7 Series.
5. PT #5, One Duplex Receptacle, One Data Outlet (up to 4 ports), AV Connector. 8AT Evolution Series.

2.14 FINISHES

- A. Device Color:
1. Wiring Devices Connected to Normal Power System: Gray in Food Service Kitchen. As selected by Architect in other finished spaces unless otherwise indicated or required by NFPA 70 or device listing.
 2. Wiring Devices Connected to Essential Power System: Red.
 3. Isolated-Ground Receptacles: Orange.
- B. Wall Plate Color: For plastic covers, match device color.

PART 3 - EXECUTION

3.1 INSTALLATION

- A. Comply with NECA 1, including mounting heights listed in that standard, unless otherwise indicated.
- B. Coordination with Other Trades:
1. Protect installed devices and their boxes. Do not place wall finish materials over device boxes and do not cut holes for boxes with routers that are guided by riding against outside of boxes.
 2. Keep outlet boxes free of plaster, drywall joint compound, mortar, cement, concrete, dust, paint, and other material that may contaminate the raceway system, conductors, and cables.
 3. Install device boxes in brick or block walls so that the cover plate does not cross a joint unless the joint is troweled flush with the face of the wall.
 4. Install wiring devices after all wall preparation, including painting, is complete.
- C. Conductors:
1. Do not strip insulation from conductors until right before they are spliced or terminated on devices.
 2. Strip insulation evenly around the conductor using tools designed for the purpose. Avoid scoring or nicking of solid wire or cutting strands from stranded wire.
 3. The length of free conductors at outlets for devices shall meet provisions of NFPA 70, Article 300, without pigtails.
 4. Existing Conductors:
 - a. Cut back and pigtail, or replace all damaged conductors.
 - b. Straighten conductors that remain and remove corrosion and foreign matter.
 - c. Pigtailing existing conductors is permitted, provided the outlet box is large enough.
- D. Device Installation:
1. Replace devices that have been in temporary use during construction and that were installed before building finishing operations were complete.
 2. Keep each wiring device in its package or otherwise protected until it is time to connect conductors.
 3. Do not remove surface protection, such as plastic film and smudge covers, until the last possible moment.
 4. Connect devices to branch circuits using pigtails that are not less than 6 inches (152 mm) in length.
 5. When there is a choice, use side wiring with binding-head screw terminals. Wrap solid conductor tightly clockwise, two-thirds to three-fourths of the way around terminal screw.
 6. Use a torque screwdriver when a torque is recommended or required by manufacturer.

7. When conductors larger than No. 12 AWG are installed on 15- or 20-A circuits, splice No. 12 AWG pigtails for device connections.
 8. Tighten unused terminal screws on the device.
 9. When mounting into metal boxes, remove the fiber or plastic washers used to hold device-mounting screws in yokes, allowing metal-to-metal contact.
- E. Receptacle Orientation:
1. Install ground pin of vertically mounted receptacles up, and on horizontally mounted receptacles to the right.
 2. Install hospital-grade receptacles in patient-care areas with the ground pin or neutral blade at the top.
- F. Device Plates: Do not use oversized or extra-deep plates. Repair wall finishes and remount outlet boxes when standard device plates do not fit flush or do not cover rough wall opening.
- G. Dimmers:
1. Install dimmers within terms of their listing.
 2. Install unshared neutral conductors on line and load side of dimmers according to manufacturers' device listing conditions in the written instructions.
 3. Install 0-10VDC control wiring in conduit with power wiring. Use conductors with insulation equivalent to insulation of power wiring.
- H. Arrangement of Devices: Unless otherwise indicated, mount flush, with long dimension vertical and with grounding terminal of receptacles on top. Group adjacent switches under single, multigang wall plates.
- I. Adjust locations of floor boxes and pokethroughs to suit arrangement of partitions and furnishings.

3.2 GFCI RECEPTACLES

- A. Install non-feed-through-type GFCI receptacles where protection of downstream receptacles is not required.

3.3 IDENTIFICATION

- A. Comply with Section 260553 "Identification for Electrical Systems."
- B. Identify each receptacle with panelboard identification and circuit number. Use hot, stamped, or engraved machine printing with [black] [white] [red]-filled lettering on face of plate, and durable wire markers or tags inside outlet boxes.

3.4 FIELD QUALITY CONTROL

- A. Perform the following tests and inspections[with the assistance of a factory-authorized service representative]:
1. In healthcare facilities, prepare reports that comply with recommendations in NFPA 99.
 2. Test Instruments: Use instruments that comply with UL 1436.
 3. Test Instrument for Convenience Receptacles: Digital wiring analyzer with digital readout or illuminated digital-display indicators of measurement.
- B. Tests for Convenience Receptacles:
1. Line Voltage: Acceptable range is 105 to 132 V.
 2. Percent Voltage Drop under 15-A Load: A value of 6 percent or higher is unacceptable.
 3. Ground Impedance: Values of up to 2 ohms are acceptable.
 4. GFCI Trip: Test for tripping values specified in UL 1436 and UL 943.
 5. Using the test plug, verify that the device and its outlet box are securely mounted.
 6. Tests shall be diagnostic, indicating damaged conductors, high resistance at the circuit breaker, poor connections, inadequate fault current path, defective devices, or similar problems. Correct circuit conditions, remove malfunctioning units and replace with new ones, and retest as specified above.

- C. Test straight-blade convenience outlets in patient-care areas for the retention force of the grounding blade according to NFPA 99. Retention force shall be not less than 4 oz. (115 g).
- D. Wiring device will be considered defective if it does not pass tests and inspections.
- E. Prepare test and inspection reports.

END OF SECTION

SECTION 26 28 16

ENCLOSED SAFETY SWITCHES

PART 1 - GENERAL

1.1 RELATED DOCUMENTS

- A. Drawings and general provisions of the Contract, including General and Supplementary Conditions and other Division 01 Specification Sections, apply to this Section.

1.2 SUMMARY

- A. Section Includes:
 - 1. Fusible switches.
 - 2. Nonfusible switches.
 - 3. Receptacle switches.
 - 4. Shunt trip switches.
 - 5. Molded-case circuit breakers (MCCBs).
 - 6. Enclosures.

1.3 DEFINITIONS

- A. NC: Normally closed.
- B. NO: Normally open.
- C. SPDT: Single pole, double throw.

1.4 PERFORMANCE REQUIREMENTS

- A. Seismic Performance: Enclosed switches and circuit breakers shall withstand the effects of earthquake motions determined according to ASCE/SEI 7.
 - 1. The term "withstand" means "the unit will remain in place without separation of any parts from the device when subjected to the seismic forces specified and the unit will be fully operational after the seismic event."

1.5 ACTION SUBMITTALS

- A. Product Data: For each type of enclosed switch, circuit breaker, accessory, and component indicated. Include dimensioned elevations, sections, weights, and manufacturers' technical data on features, performance, electrical characteristics, ratings, accessories, and finishes.
 - 1. Enclosure types and details for types other than NEMA 250, Type 1.
 - 2. Current and voltage ratings.
 - 3. Short-circuit current ratings (interrupting and withstand, as appropriate).
 - 4. Include evidence of NRTL listing for series rating of installed devices.
 - 5. Detail features, characteristics, ratings, and factory settings of individual overcurrent protective devices, accessories, and auxiliary components.
 - 6. Include time-current coordination curves (average melt) for each type and rating of overcurrent protective device; include selectable ranges for each type of overcurrent protective device.

1.6 INFORMATIONAL SUBMITTALS

- A. Qualification Data: For qualified testing agency.
- B. Seismic Qualification Certificates: For enclosed switches and circuit breakers, accessories, and components, from manufacturer.
 - 1. Basis for Certification: Indicate whether withstand certification is based on actual test of assembled components or on calculation.
 - 2. Dimensioned Outline Drawings of Equipment Unit: Identify center of gravity and locate and describe mounting and anchorage provisions.

3. Detailed description of equipment anchorage devices on which the certification is based and their installation requirements.
- C. Field quality-control reports.
1. Test procedures used.
 2. Test results that comply with requirements.
 3. Results of failed tests and corrective action taken to achieve test results that comply with requirements.
- D. Manufacturer's field service report.

1.7 CLOSEOUT SUBMITTALS

- A. Operation and Maintenance Data: For enclosed switches and circuit breakers to include in emergency, operation, and maintenance manuals. In addition to items specified in Section 017823 "Operation and Maintenance Data," include the following:
1. Manufacturer's written instructions for testing and adjusting enclosed switches and circuit breakers.
 2. Time-current coordination curves (average melt) for each type and rating of overcurrent protective device; include selectable ranges for each type of overcurrent protective device.

1.8 QUALITY ASSURANCE

- A. Testing Agency Qualifications: Member company of NETA or an NRTL.
1. Testing Agency's Field Supervisor: Currently certified by NETA to supervise on-site testing.
- B. Source Limitations: Obtain enclosed switches and circuit breakers, overcurrent protective devices, components, and accessories, within same product category, from single source from single manufacturer.
- C. Product Selection for Restricted Space: Drawings indicate maximum dimensions for enclosed switches and circuit breakers, including clearances between enclosures, and adjacent surfaces and other items. Comply with indicated maximum dimensions.
- D. Electrical Components, Devices, and Accessories: Listed and labeled as defined in NFPA 70, by a qualified testing agency, and marked for intended location and application.
- E. Comply with NFPA 70.

1.9 PROJECT CONDITIONS

- A. Environmental Limitations: Rate equipment for continuous operation under the following conditions unless otherwise indicated:
1. Ambient Temperature: Not less than minus 22 deg F (minus 30 deg C) and not exceeding 104 deg F (40 deg C).
 2. Altitude: Not exceeding 6600 feet (2010 m).
- B. Interruption of Existing Electric Service: Do not interrupt electric service to facilities occupied by Owner or others unless permitted under the following conditions and then only after arranging to provide temporary electric service according to requirements indicated:
1. Notify Owner no fewer than 2 weeks days in advance of proposed interruption of electric service.
 2. Indicate method of providing temporary electric service.
 3. Do not proceed with interruption of electric service without Owner's written permission.
 4. Comply with NFPA 70E.

1.10 COORDINATION

- A. Coordinate layout and installation of switches, circuit breakers, and components with equipment served and adjacent surfaces. Maintain required workspace clearances and required clearances for equipment access doors and panels.

PART 2 - PRODUCTS**2.1 FUSIBLE SWITCHES**

- A. Manufacturers: Subject to compliance with requirements, provide products by one of the following:
 - 1. Eaton.
 - 2. General Electric Company.
 - 3. Siemens Industry, Inc.
 - 4. Square D; by Schneider Electric.
- B. Type HD, Heavy Duty, Single Throw, 240, 600-V ac, 1200 A and Smaller: UL 98 and NEMA KS 1, horsepower rated, with clips or bolt pads to accommodate indicated fuses, lockable handle with capability to accept three padlocks, and interlocked with cover in closed position.
- C. Accessories:
 - 1. Equipment Ground Kit: Internally mounted and labeled for copper and aluminum ground conductors.
 - 2. Neutral Kit: Internally mounted; insulated, capable of being grounded and bonded; labeled for copper and aluminum neutral conductors.
 - 3. Auxiliary Contact Kit: Two NO/NC (Form "C") auxiliary contact(s), arranged to activate before switch blades open.
 - 4. Class R Fuse Kit: Provides rejection of other fuse types when Class R fuses are specified.
 - 5. Lugs: Mechanical type, suitable for number, size, and conductor material.
 - 6. Service-Rated Switches: Labeled for use as service equipment.
 - 7. Accessory Control Power Voltage: Remote mounted and powered; 120-V ac.

2.2 NONFUSIBLE SWITCHES

- A. Manufacturers: Subject to compliance with requirements, provide products by one of the following:
 - 1. Eaton.
 - 2. General Electric Company.
 - 3. Siemens Industry, Inc.
 - 4. Square D; by Schneider Electric.
- B. Type HD, Heavy Duty, Single Throw, 240, 600-V ac, 1200 A and Smaller: UL 98 and NEMA KS 1, horsepower rated, lockable handle with capability to accept three padlocks, and interlocked with cover in closed position.
- C. Accessories:
 - 1. Equipment Ground Kit: Internally mounted and labeled for copper and aluminum ground conductors.
 - 2. Neutral Kit: Internally mounted; insulated, capable of being grounded and bonded; labeled for copper and aluminum neutral conductors.
 - 3. Auxiliary Contact Kit: Two NO/NC (Form "C") auxiliary contact(s), arranged to activate before switch blades open.
 - 4. Lugs: Mechanical type, suitable for number, size, and conductor material.
 - 5. Accessory Control Power Voltage: Remote mounted and powered; 120-V ac.

2.3 MOLDED-CASE CIRCUIT BREAKERS

- A. Manufacturers: Subject to compliance with requirements, provide products by one of the following:
 - 1. Eaton.
 - 2. General Electric Company.
 - 3. Siemens Industry, Inc.
 - 4. Square D; by Schneider Electric.

- B. General Requirements: Comply with UL 489, NEMA AB 1, and NEMA AB 3, with interrupting capacity to comply with available fault currents.
- C. Thermal-Magnetic Circuit Breakers: Inverse time-current element for low-level overloads and instantaneous magnetic trip element for short circuits. Adjustable magnetic trip setting for circuit-breaker frame sizes 250 A and larger.
- D. Adjustable, Instantaneous-Trip Circuit Breakers: Magnetic trip element with front-mounted, field-adjustable trip setting.
- E. Electronic Trip Circuit Breakers: Field-replaceable rating plug, rms sensing, with the following field-adjustable settings:
 - 1. Instantaneous trip.
 - 2. Long- and short-time pickup levels.
 - 3. Long- and short-time time adjustments.
 - 4. Ground-fault pickup level, time delay, and I_{2t} response.
- F. Current-Limiting Circuit Breakers: Frame sizes 400 A and smaller, and let-through ratings less than NEMA FU 1, RK-5.
- G. Integrally Fused Circuit Breakers: Thermal-magnetic trip element with integral limiter-style fuse listed for use with circuit breaker and trip activation on fuse opening or on opening of fuse compartment door.
- H. Ground-Fault, Circuit-Interrupter (GFCI) Circuit Breakers: Single- and two-pole configurations with Class A ground-fault protection (6-mA trip).
- I. Ground-Fault, Equipment-Protection (GFEP) Circuit Breakers: With Class B ground-fault protection (30-mA trip).
- J. Features and Accessories:
 - 1. Standard frame sizes, trip ratings, and number of poles.
 - 2. Lugs: Mechanical type, suitable for number, size, trip ratings, and conductor material.
 - 3. Application Listing: Appropriate for application; Type SWD for switching fluorescent lighting loads; Type HID for feeding fluorescent and high-intensity discharge lighting circuits.
 - 4. Shunt Trip: Trip coil energized from separate circuit, with coil-clearing contact.
 - 5. Undervoltage Trip: Set to operate at 35 to 75 percent of rated voltage without intentional time delay.

2.4 ENCLOSURES

- A. Enclosed Switches and Circuit Breakers: NEMA AB 1, NEMA KS 1, NEMA 250, and UL 50, to comply with environmental conditions at installed location.
 - 1. Indoor, Dry and Clean Locations: NEMA 250, Type 1.
 - 2. Outdoor Locations: NEMA 250, Type 3R.
 - 3. Kitchen Wash-Down Areas: NEMA 250, Type 4X, stainless steel.
 - 4. Other Wet or Damp, Indoor Locations: NEMA 250, Type 4.
 - 5. Imaging Rooms: Flush Mount.

PART 3 - EXECUTION

3.1 EXAMINATION

- A. Examine elements and surfaces to receive enclosed switches and circuit breakers for compliance with installation tolerances and other conditions affecting performance of the Work.
- B. Proceed with installation only after unsatisfactory conditions have been corrected.

3.2 INSTALLATION

- A. Install individual wall-mounted switches and circuit breakers with tops at uniform height unless otherwise indicated.
- B. Comply with mounting and anchoring requirements specified in Section 260548.16 "Seismic Controls for Electrical Systems."
- C. Temporary Lifting Provisions: Remove temporary lifting eyes, channels, and brackets and temporary blocking of moving parts from enclosures and components.
- D. Install fuses in fusible devices.
- E. Comply with NECA 1.

3.3 IDENTIFICATION

- A. Comply with requirements in Section 26 05 53 "Identification for Electrical Systems."
 - 1. Identify field-installed conductors, interconnecting wiring, and components; provide warning signs.
 - 2. Label each enclosure with engraved metal or laminated-plastic nameplate.

3.4 FIELD QUALITY CONTROL

- A. Perform tests and inspections.
 - 1. Manufacturer's Field Service: Engage a factory-authorized service representative to inspect components, assemblies, and equipment installations, including connections, and to assist in testing.
- B. Acceptance Testing Preparation:
 - 1. Test insulation resistance for each enclosed switch and circuit breaker, component, connecting supply, feeder, and control circuit.
 - 2. Test continuity of each circuit.
- C. Tests and Inspections:
 - 1. Perform each visual and mechanical inspection and electrical test stated in NETA Acceptance Testing Specification. Certify compliance with test parameters.
 - 2. Correct malfunctioning units on-site, where possible, and retest to demonstrate compliance; otherwise, replace with new units and retest.
 - 3. Perform the following infrared scan tests and inspections and prepare reports:
 - a. Initial Infrared Scanning: After Substantial Completion, but not more than 60 days after Final Acceptance, perform an infrared scan of each enclosed switch and circuit breaker. Remove front panels so joints and connections are accessible to portable scanner.
 - b. Follow-up Infrared Scanning: Perform an additional follow-up infrared scan of each enclosed switch and circuit breaker 11 months after date of Substantial Completion.
 - c. Instruments and Equipment: Use an infrared scanning device designed to measure temperature or to detect significant deviations from normal values. Provide calibration record for device.
 - 4. Test and adjust controls, remote monitoring, and safeties. Replace damaged and malfunctioning controls and equipment.
- D. Enclosed switches and circuit breakers will be considered defective if they do not pass tests and inspections.
- E. Prepare test and inspection reports, including a certified report that identifies enclosed switches and circuit breakers and that describes scanning results. Include notation of deficiencies detected, remedial action taken, and observations after remedial action.

3.5 ADJUSTING

- A. Adjust moving parts and operable components to function smoothly, and lubricate as recommended by manufacturer.

- B. Set field-adjustable circuit-breaker trip ranges as specified in Section 26 05 73 "Overcurrent Protective Device Coordination Study."

END OF SECTION

SECTION 26 29 13

ENCLOSED CONTROLLERS

PART 1 - GENERAL

1.1 RELATED DOCUMENTS

- A. Drawings and general provisions of the Contract, including General and Supplementary Conditions and Division 01 Specification Sections, apply to this Section.

1.2 SUMMARY

- A. Section includes the following enclosed controllers rated 600 V and less:
 - 1. Full-voltage magnetic.
- B. Related Section:
 - 1. Section 26 29 23 "Variable-Frequency Motor Controllers" for general-purpose, ac, adjustable-frequency, pulse-width-modulated controllers for use on variable torque loads in ranges up to 200 hp.

1.3 DEFINITIONS

- A. CPT: Control power transformer.
- B. MCCB: Molded-case circuit breaker.
- C. MCP: Motor circuit protector.
- D. N.C.: Normally closed.
- E. N.O.: Normally open.
- F. OCPD: Overcurrent protective device.
- G. SCR: Silicon-controlled rectifier.

1.4 PERFORMANCE REQUIREMENTS

- A. Seismic Performance: Enclosed controllers shall withstand the effects of earthquake motions determined according to ASCE/SEI 7.
 - 1. The term "withstand" means "the unit will remain in place without separation of any parts from the device when subjected to the seismic forces specified and the unit will be fully operational after the seismic event."

1.5 ACTION SUBMITTALS

- A. Product Data: For each type of enclosed controller. Include manufacturer's technical data on features, performance, electrical characteristics, ratings, and enclosure types and finishes.
- B. Shop Drawings: For each enclosed controller. Include dimensioned plans, elevations, sections, details, and required clearances and service spaces around controller enclosures.
 - 1. Show tabulations of the following:
 - a. Each installed unit's type and details.
 - b. Factory-installed devices.
 - c. Nameplate legends.
 - d. Short-circuit current rating of integrated unit.
 - e. Listed and labeled for integrated short-circuit current (withstand) rating of OCPDs in combination controllers by an NRTL acceptable to authorities having jurisdiction.
 - f. Features, characteristics, ratings, and factory settings of individual OCPDs in combination controllers.
 - 2. Wiring Diagrams: For power, signal, and control wiring.

1.6 INFORMATIONAL SUBMITTALS

- A. Qualification Data: For qualified testing agency.
- B. Seismic Qualification Certificates: For enclosed controllers, accessories, and components, from manufacturer.
 - 1. Basis for Certification: Indicate whether withstand certification is based on actual test of assembled components or on calculation.
 - 2. Dimensioned Outline Drawings of Equipment Unit: Identify center of gravity and locate and describe mounting and anchorage provisions.
 - 3. Detailed description of equipment anchorage devices on which the certification is based and their installation requirements.
- C. Field quality-control reports.
- D. Load-Current and Overload-Relay Heater List: Compile after motors have been installed, and arrange to demonstrate that selection of heaters suits actual motor nameplate full-load currents.
- E. Load-Current and List of Settings of Adjustable Overload Relays: Compile after motors have been installed, and arrange to demonstrate that switch settings for motor running overload protection suit actual motors to be protected.

1.7 CLOSEOUT SUBMITTALS

- A. Operation and Maintenance Data: For enclosed controllers to include in emergency, operation, and maintenance manuals. In addition to items specified in Section 017823 "Operation and Maintenance Data," include the following:
 - 1. Routine maintenance requirements for enclosed controllers and installed components.
 - 2. Manufacturer's written instructions for testing and adjusting circuit breaker and MCP trip settings.
 - 3. Manufacturer's written instructions for setting field-adjustable overload relays.
 - 4. Manufacturer's written instructions for testing, adjusting, and reprogramming reduced-voltage solid-state controllers.

1.8 MATERIALS MAINTENANCE SUBMITTALS

- A. Furnish extra materials that match products installed and that are packaged with protective covering for storage and identified with labels describing contents.
 - 1. Fuses for Fused Switches: Equal to 10 percent of quantity installed for each size and type, but no fewer than three of each size and type.
 - 2. Control Power Fuses: Equal to 10 percent of quantity installed for each size and type, but no fewer than two of each size and type.
 - 3. Auxiliary Contacts: Furnish one spare(s) for each size and type of magnetic controller installed.
 - 4. Power Contacts: Furnish three spares for each size and type of magnetic contactor installed.

1.9 QUALITY ASSURANCE

- A. Testing Agency Qualifications: Member company of NETA or an NRTL.
 - 1. Testing Agency's Field Supervisor: Currently certified by NETA to supervise on-site testing.
- B. Electrical Components, Devices, and Accessories: Listed and labeled as defined in NFPA 70, by a qualified testing agency, and marked for intended location and application.
- C. Comply with NFPA 70.
- D. IEEE Compliance: Fabricate and test enclosed controllers according to IEEE 344 to withstand seismic forces defined in Section 260548.16 "Seismic Controls for Electrical Systems."

1.10 DELIVERY, STORAGE, AND HANDLING

- A. Store enclosed controllers indoors in clean, dry space with uniform temperature to prevent condensation. Protect enclosed controllers from exposure to dirt, fumes, water, corrosive substances, and physical damage.

1.11 PROJECT CONDITIONS

- A. Environmental Limitations: Rate equipment for continuous operation under the following conditions unless otherwise indicated:
 - 1. Ambient Temperature: Not less than minus 22 deg F (minus 30 deg C) and not exceeding 104 deg F (40 deg C).
 - 2. Altitude: Not exceeding 6600 feet (2010 m).
- B. Interruption of Existing Electrical Systems: Do not interrupt electrical systems in facilities occupied by Owner or others unless permitted under the following conditions and then only after arranging to provide temporary electrical service according to requirements indicated:
 - 1. Notify Owner no fewer than two weeks in advance of proposed interruption of electrical systems.
 - 2. Indicate method of providing temporary utilities.
 - 3. Do not proceed with interruption of electrical systems without Owner's written permission.
 - 4. Comply with NFPA 70E.

1.12 COORDINATION

- A. Coordinate layout and installation of enclosed controllers with other construction including conduit, piping, equipment, and adjacent surfaces. Maintain required workspace clearances and required clearances for equipment access doors and panels.
- B. Coordinate sizes and locations of concrete bases with actual equipment provided. Cast anchor-bolt inserts into bases. Concrete, reinforcement, and formwork requirements are specified with concrete.
- C. Coordinate installation of roof curbs, equipment supports, and roof penetrations.

PART 2 - PRODUCTS**2.1 FULL-VOLTAGE CONTROLLERS**

- A. General Requirements for Full-Voltage Controllers: Comply with NEMA ICS 2, general purpose, Class A.
- B. Magnetic Controllers: Full voltage, across the line, electrically held.
 - 1. Manufacturers: Subject to compliance with requirements, provide products by one of the following:
 - a. Eaton.
 - b. General Electric Company.
 - c. Siemens Industry, Inc.
 - d. Square D; by Schneider Electric.
 - 2. Configuration: Nonreversing.
 - 3. Contactor Coils: Pressure-encapsulated type.
 - a. Operating Voltage: Depending on contactor NEMA size and line-voltage rating, manufacturer's standard matching control power or line voltage.
 - 4. Power Contacts: Totally enclosed, double-break, silver-cadmium oxide; assembled to allow inspection and replacement without disturbing line or load wiring.
 - 5. Control Circuits: 120 -V ac; obtained from integral CPT, with primary and secondary fuses, with CPT control power source of sufficient capacity to operate integral devices and remotely located pilot, indicating, and control devices.
 - a. CPT Spare Capacity: 50 VA.
 - 6. Solid-State Overload Relay:

- a. Switch or dial selectable for motor running overload protection.
 - b. Sensors in each phase.
 - c. Class 20 tripping characteristic selected to protect motor against voltage and current unbalance and single phasing.
7. External overload reset push button.

2.2 ACCESSORIES

- A. General Requirements for Control Circuit and Pilot Devices: NEMA ICS 5; factory installed in controller enclosure cover unless otherwise indicated.
1. Selector Switches: Heavy-duty, oiltight type.
 - a. Pilot Lights: LED types; colors as indicated.
 - b. Selector Switches: Rotary type.
- B. Reversible N.C./N.O. auxiliary contact(s).
- C. Phase-Failure, Phase-Reversal, and Undervoltage and Overvoltage Relays: Solid-state sensing circuit with isolated output contacts for hard-wired connections. Provide adjustable undervoltage, overvoltage, and time-delay settings.

PART 3 - EXECUTION

3.1 EXAMINATION

- A. Examine areas and surfaces to receive enclosed controllers, with Installer present, for compliance with requirements and other conditions affecting performance of the Work.
- B. Examine enclosed controllers before installation. Reject enclosed controllers that are wet, moisture damaged, or mold damaged.
- C. Proceed with installation only after unsatisfactory conditions have been corrected.

3.2 INSTALLATION

- A. Wall-Mounted Controllers: Install enclosed controllers on walls with tops at uniform height unless otherwise indicated, and by bolting units to wall or mounting on lightweight structural-steel channels bolted to wall. For controllers not at walls, provide freestanding racks complying with Section 260529 "Hangers and Supports for Electrical Systems."
- B. Install fuses in each fusible-switch enclosed controller.

3.3 IDENTIFICATION

- A. Identify enclosed controllers, components, and control wiring. Comply with requirements for identification specified in Section 260553 "Identification for Electrical Systems."
1. Identify field-installed conductors, interconnecting wiring, and components; provide warning signs.
 2. Label each enclosure with engraved nameplate.
 3. Label each enclosure-mounted control and pilot device.

3.4 CONTROL WIRING INSTALLATION

- A. Install wiring between enclosed controllers and remote devices and facility's central control system.
- B. Bundle, train, and support wiring in enclosures.
- C. Connect selector switches and other automatic-control selection devices where applicable.
1. Connect selector switches to bypass only those manual- and automatic-control devices that have no safety functions when switch is in manual-control position.
 2. Connect selector switches with enclosed-controller circuit in both manual and automatic positions for safety-type control devices such as low- and high-pressure cutouts, high-temperature cutouts, and motor overload protectors.

3.5 FIELD QUALITY CONTROL

- A. Manufacturer's Field Service: Engage a factory-authorized service representative to inspect, test, and adjust components, assemblies, and equipment installations, including connections.
- B. Perform tests and inspections.
 - 1. Manufacturer's Field Service: Engage a factory-authorized service representative to inspect components, assemblies, and equipment installations, including connections, and to assist in testing.
- C. Acceptance Testing Preparation:
 - 1. Test insulation resistance for each enclosed controller, component, connecting supply, feeder, and control circuit.
 - 2. Test continuity of each circuit.
- D. Tests and Inspections:
 - 1. Inspect controllers, wiring, components, connections, and equipment installation. Test and adjust controllers, components, and equipment.
 - 2. Test insulation resistance for each enclosed-controller element, component, connecting motor supply, feeder, and control circuits.
 - 3. Test continuity of each circuit.
 - 4. Verify that voltages at controller locations are within plus or minus 10 percent of motor nameplate rated voltages. If outside this range for any motor, notify Owner before starting the motor(s).
 - 5. Test each motor for proper phase rotation.
 - 6. Perform each electrical test and visual and mechanical inspection stated in NETA Acceptance Testing Specification. Certify compliance with test parameters.
 - 7. Correct malfunctioning units on-site, where possible, and retest to demonstrate compliance; otherwise, replace with new units and retest.
 - 8. Perform the following infrared (thermographic) scan tests and inspections and prepare reports:
 - a. Initial Infrared Scanning: After Substantial Completion, but not more than 60 days after Final Acceptance, perform an infrared scan of each multi-pole enclosed controller. Remove front panels so joints and connections are accessible to portable scanner.
 - b. Follow-up Infrared Scanning: Perform an additional follow-up infrared scan of each multi-pole enclosed controller 11 months after date of Substantial Completion.
 - c. Instruments and Equipment: Use an infrared scanning device designed to measure temperature or to detect significant deviations from normal values. Provide calibration record for device.
 - 9. Test and adjust controls, remote monitoring, and safeties. Replace damaged and malfunctioning controls and equipment.
- E. Enclosed controllers will be considered defective if they do not pass tests and inspections.
- F. Prepare test and inspection reports including a certified report that identifies enclosed controllers and that describes scanning results. Include notation of deficiencies detected, remedial action taken, and observations after remedial action.

3.6 ADJUSTING

- A. Set field-adjustable switches, auxiliary relays, time-delay relays, timers, and overload-relay pickup and trip ranges.
- B. Adjust overload-relay heaters or settings if power factor correction capacitors are connected to the load side of the overload relays.

- C. Adjust the trip settings of MCPs and thermal-magnetic circuit breakers with adjustable instantaneous trip elements. Initially adjust to six times the motor nameplate full-load ampere ratings and attempt to start motors several times, allowing for motor cooldown between starts. If tripping occurs on motor inrush, adjust settings in increments until motors start without tripping. Do not exceed eight times the motor full-load amperes (or 11 times for NEMA Premium Efficient motors if required). Where these maximum settings do not allow starting of a motor, notify Owner before increasing settings.
- D. Set field-adjustable circuit-breaker trip ranges as specified in Section 26 05 73 "Overcurrent Protective Device Coordination Study."

END OF SECTION

SECTION 26 29 23
VARIABLE-FREQUENCY MOTOR CONTROLLERS

PART 1 - GENERAL**1.1 RELATED DOCUMENTS**

- A. Drawings and general provisions of the Contract, including General and Supplementary Conditions and Division 01 Specification Sections, apply to this Section.

1.2 SUMMARY

- A. Section includes separately enclosed, preassembled, combination VFCs, rated 600 V and less, for speed control of three-phase, squirrel-cage induction motors.

1.3 DEFINITIONS

- A. CE: Conformance Europeene (European Compliance).
- B. CPT: Control power transformer.
- C. DDC: Direct digital control.
- D. EMI: Electromagnetic interference.
- E. LED: Light-emitting diode.
- F. NC: Normally closed.
- G. NO: Normally open.
- H. OCPD: Overcurrent protective device.
- I. PID: Control action, proportional plus integral plus derivative.
- J. RFI: Radio-frequency interference.
- K. VFC: Variable-frequency motor controller.
- L. VFD: Variable-frequency motor controller.

1.4 ACTION SUBMITTALS

- A. Product Data: For each type and rating of VFC indicated.
 - 1. Include dimensions and finishes for VFCs.
 - 2. Include rated capacities, operating characteristics, electrical characteristics, and furnished specialties and accessories.
- B. Shop Drawings: For each VFC indicated.
 - 1. Include mounting and attachment details.
 - 2. Include details of equipment assemblies. Indicate dimensions, weights, loads, required clearances, method of field assembly, components, and location and size of each field connection.
 - 3. Include diagrams for power, signal, and control wiring.

1.5 INFORMATIONAL SUBMITTALS

- A. Coordination Drawings: Floor plans, drawn to scale, showing dimensioned layout on which the following items are shown and coordinated with each other, using input from installers of the items involved:
 - 1. Required working clearances and required area above and around VFCs.
 - 2. Show VFC layout and relationships between electrical components and adjacent structural and mechanical elements.
 - 3. Show support locations, type of support, and weight on each support.

4. Indicate field measurements.
- B. Qualification Data: For testing agency.
- C. Seismic Qualification Certificates: For each VFC, accessories, and components, from manufacturer.
 1. Certificate of compliance.
 2. Dimensioned Outline Drawings of Equipment Unit: Identify center of gravity and locate and describe mounting and anchorage provisions.
 3. Detailed description of equipment anchorage devices on which the certification is based, and their installation requirements.
- D. Product Certificates: For each VFC from manufacturer.
- E. Harmonic Analysis Report: Provide Project-specific calculations and manufacturer's statement of compliance with IEEE 519.
- F. Source quality-control reports.
- G. Field quality-control reports.
- H. Sample Warranty: For special warranty.

1.6 CLOSEOUT SUBMITTALS

- A. Operation and Maintenance Data: For VFCs to include in emergency, operation, and maintenance manuals.
 1. In addition to items specified in Section 017823 "Operation and Maintenance Data," include the following:
 - a. Manufacturer's written instructions for testing and adjusting thermal-magnetic circuit breaker and motor-circuit protector trip settings.
 - b. Manufacturer's written instructions for setting field-adjustable overload relays.
 - c. Manufacturer's written instructions for testing, adjusting, and reprogramming microprocessor control modules.
 - d. Manufacturer's written instructions for setting field-adjustable timers, controls, and status and alarm points.
 - e. Load-Current and Overload-Relay Heater List: Compile after motors have been installed, and arrange to demonstrate that selection of heaters suits actual motor nameplate, full-load currents.
 - f. Load-Current and List of Settings of Adjustable Overload Relays: Compile after motors have been installed, and arrange to demonstrate that switch settings for motor-running overload protection suit actual motors to be protected.

1.7 MAINTENANCE MATERIAL SUBMITTALS

- A. Furnish extra materials that match products installed and that are packaged with protective covering for storage and identified with labels describing contents.
 1. Power Fuses: Equal to 10 percent of quantity installed for each size and type, but no fewer than three of each size and type.
 2. Control Power Fuses: Equal to 10 percent of quantity installed for each size and type, but no fewer than five of each size and type.

1.8 QUALITY ASSURANCE

- A. Testing Agency Qualifications: Member company of NETA or an NRTL.
 1. Testing Agency's Field Supervisor: Currently certified by NETA to supervise on-site testing.

1.9 DELIVERY, STORAGE, AND HANDLING

- A. If stored in space that is not permanently enclosed and air conditioned, remove loose packing and flammable materials from inside controllers and install temporary electric heating, with at least 250 W per controller.

- B. Product Selection for Restricted Space: Drawings indicate maximum dimensions for VFCs, including clearances between VFCs, and adjacent surfaces and other items.

1.10 WARRANTY

- A. Special Warranty: Manufacturer agrees to repair or replace VFCs that fail in materials or workmanship within specified warranty period.
 - 1. Warranty Period: Five years from date of Substantial Completion.

PART 2 - PRODUCTS

2.1 MANUFACTURERS

- A. Manufacturers: Subject to compliance with requirements, provide products by one of the following:
 - 1. ABB.
 - 2. Yaskawa Electric America, Inc.

2.2 SYSTEM DESCRIPTION

- A. General Requirements for VFCs:
 - 1. VFCs and Accessories: Listed and labeled as defined in NFPA 70, by a qualified testing agency, and marked for intended location and application.
 - 2. Comply with NEMA ICS 7, NEMA ICS 61800-2, and UL 508C.
- B. Application: variable torque.
- C. VFC Description: Variable-frequency motor controller, consisting of power converter that employs pulse-width-modulated inverter, factory built and tested in an enclosure, with integral disconnecting means and overcurrent and overload protection; listed and labeled by an NRTL as a complete unit; arranged to provide self-protection, protection, and variable-speed control of one or more three-phase induction motors by adjusting output voltage and frequency.
 - 1. Units suitable for operation of NEMA MG 1, Design A and Design B motors, as defined by NEMA MG 1, Section IV, Part 30, "Application Considerations for Constant Speed Motors Used on a Sinusoidal Bus with Harmonic Content and General Purpose Motors Used with Adjustable-Voltage or Adjustable-Frequency Controls or Both" and operation of inverter-duty motors as defined by NEMA MG 1, Section IV, part 31, "Definite Purpose Inverter-Fed Polyphase Motors."
 - 2. Listed and labeled for integrated short-circuit current (withstand) rating by an NRTL acceptable to authorities having jurisdiction.
- D. Design and Rating: Match load type, such as fans, blowers, and pumps; and type of connection used between motor and load such as direct or through a power-transmission connection.
- E. Output Rating: Three phase; 10 to 60 Hz, with voltage proportional to frequency throughout voltage range; maximum voltage equals input voltage.
- F. Unit Operating Requirements:
 - 1. Input AC Voltage Tolerance: Plus 10 and minus 15 percent of VFC input voltage rating.
 - 2. Input AC Voltage Unbalance: Not exceeding 5 percent.
 - 3. Input Frequency Tolerance: Plus or minus 3 percent of VFC frequency rating.
 - 4. Minimum Efficiency: 98% percent at 60 Hz, full load.
 - 5. Minimum Displacement Primary-Side Power Factor: 98 percent under any load or speed condition.
 - 6. Minimum Short-Circuit Current (Withstand) Rating: Not less than the rating of the switchboard or panelboard that supplies the controller.
 - 7. Ambient Temperature Rating: Not less than 32 deg F (0 deg C) and not exceeding 104 deg F (40 deg C).
 - 8. Humidity Rating: Less than 95 percent (noncondensing).
 - 9. Altitude Rating: Not exceeding 3300 feet (1000 m).

10. Vibration Withstand: Comply with NEMA ICS 61800-2.
 11. Overload Capability: 1.1 times the base load current for 60 seconds; minimum of 1.8 times the base load current for three seconds.
 12. Starting Torque: Minimum 100 percent of rated torque from 3 to 60 Hz.
 13. Speed Regulation: Plus or minus 5 percent.
 14. Output Carrier Frequency: Selectable; 1 to 12.5 kHz.
 15. Stop Modes: Programmable; includes fast, free-wheel, and dc injection braking.
- G. Inverter Logic: Microprocessor based, 32 bit, isolated from all power circuits.
- H. Isolated Control Interface: Allows VFCs to follow remote-control signal over a minimum 40:1 speed range.
1. Signal: Optical.
- I. Internal Adjustability Capabilities:
1. Minimum Speed: 5 to 25 percent of maximum rpm.
 2. Maximum Speed: 80 to 100 percent of maximum rpm.
 3. Acceleration: 0.1 to 999.9 seconds.
 4. Deceleration: 0.1 to 999.9 seconds.
 5. Current Limit: 30 to minimum of 150 percent of maximum rating.
- J. Self-Protection and Reliability Features:
1. Surge Suppression: Factory installed as an integral part of the VFC, complying with UL 1449 SPD, Type 1 or Type 2.
 2. Loss of Input Signal Protection: Selectable response strategy, including speed default to a percent of the most recent speed, a preset speed, or stop; with alarm.
 3. Under- and overvoltage trips.
 4. Inverter overcurrent trips.
 5. VFC and Motor-Overload/Overtemperature Protection: Microprocessor-based thermal protection system for monitoring VFCs and motor thermal characteristics, and for providing VFC overtemperature and motor-overload alarm and trip; settings selectable via the keypad.
 6. Critical frequency rejection, with three selectable, adjustable deadbands.
 7. Instantaneous line-to-line and line-to-ground overcurrent trips.
 8. Loss-of-phase protection.
 9. Reverse-phase protection.
 10. Short-circuit protection.
 11. Motor-overtemperature fault.
- K. Automatic Reset/Restart: Attempt three restarts after drive fault or on return of power after an interruption and before shutting down for manual reset or fault correction; adjustable delay time between restart attempts.
- L. Bidirectional Autospeed Search: Capable of starting VFC into rotating loads spinning in either direction and returning motor to set speed in proper direction, without causing damage to drive, motor, or load.
- M. Torque Boost: Automatically varies starting and continuous torque to at least 1.5 times the minimum torque to ensure high-starting torque and increased torque at slow speeds.
- N. Motor Temperature Compensation at Slow Speeds: Adjustable current fall-back based on output frequency for temperature protection of self-cooled, fan-ventilated motors at slow speeds.
- O. Integral Input Disconnecting Means and OCPD: Any of the following are acceptable. Selection should be based upon requirements for Short-Circuit Current (Withstand) Rating. UL 489, instantaneous-trip circuit breaker, UL 489, molded-case switch, with power fuse block and current-limiting fuses, UL 489, thermal-magnetic circuit breaker, NEMA KS 1, nonfusible switch, with power fuse block and current-limiting fuses, NEMA KS 1, fusible switch with pad-lockable, door-mounted handle mechanism.
1. Disconnect Rating: Not less than 115 percent of VFC input current rating.

2. Disconnect Rating: Not less than 115 percent of NFPA 70 motor full-load current rating or VFC input current rating, whichever is larger.
3. Auxiliary Contacts: NO or NC, arranged to activate before switch blades open.
4. Auxiliary contacts "a" and "b" arranged to activate with circuit-breaker handle.
5. NO alarm contact that operates only when circuit breaker has tripped.

2.3 PERFORMANCE REQUIREMENTS

- A. Seismic Performance: VFCs shall withstand the effects of earthquake motions determined according to ASCE/SEI 7. The designated VFCs shall be tested and certified by an NRTL as meeting the ICC-ES AC 156 test procedure requirements.
1. The term "withstand" means "the unit will remain in place without separation of any parts when subjected to the seismic forces specified and the unit will be fully operational after the seismic event."

2.4 CONTROLS AND INDICATION

- A. Panel-Mounted Operator Station: Manufacturer's standard front-accessible, sealed keypad and plain-English-language digital display; allows complete programming, program copying, operating, monitoring, and diagnostic capability.
1. Keypad: In addition to required programming and control keys, include keys for HAND, OFF, and AUTO modes.
 2. Security Access: Provide electronic security access to controls through identification and password with at least three levels of access: View only; view and operate; and view, operate, and service.
 - a. Control Authority: Supports at least four conditions: Off, local manual control at VFC, local automatic control at VFC, and automatic control through a remote source.
 3. Indicating Devices: Digital display integral to the Operator Station to display VFC parameters including, but not limited to:
 - a. Output frequency (Hz).
 - b. Motor speed (rpm).
 - c. Motor status (running, stop, fault).
 - d. Motor current (amperes).
 - e. Motor torque (percent).
 - f. Fault or alarming status (code).
 - g. PID feedback signal (percent).
 - h. DC-link voltage (V dc).
 - i. Set point frequency (Hz).
 - j. Motor output voltage (V ac).
- B. Historical Logging Information and Displays: Available through the Operator Station.
- C. Control Signal Interfaces:
1. Electric Input Signal Interface:
 - a. A minimum of two programmable analog inputs: 0- to 10-V dc and 4- to 20-mA dc.
 2. Remote Signal Inputs: Capability to accept any of the following speed-setting input signals from the DDC system for HVAC or other control systems:
 - a. 0- to 10-V dc.
 - b. 4- to 20-mA dc.
 - c. Potentiometer using up/down digital inputs.
 - d. Fixed frequencies using digital inputs.
 3. Output Signal Interface: A minimum of two programmable analog output signal(s) 0- to 10-V dc and 4- to 20-mA dc), which can be configured for any of the following:
 - a. Output frequency (Hz).
 - b. Output current (load).
 - c. DC-link voltage (V dc).
 - d. Motor torque (percent).
 - e. Motor speed (rpm).
 - f. Set point frequency (Hz).

- D. Interface with DDC System for HVAC: Factory-installed hardware and software shall interface with DDC system for HVAC to monitor, control, display, and record data for use in processing reports. VFC settings shall be retained within VFC's nonvolatile memory.
 - 1. Communication Interface: Comply with ASHRAE 135. Communication shall interface with DDC system for HVAC to remotely control and monitor lighting from a DDC system for HVAC operator workstation. Control features and monitoring points displayed locally at lighting panel shall be available through the DDC system for HVAC.

2.5 LINE CONDITIONING AND FILTERING

- A. Input Line Conditioning: Based on the manufacturer's harmonic analysis study and report, provide input filtering, as required, to limit total demand (harmonic current) distortion and total harmonic voltage demand at the defined point of common coupling to meet IEEE 519 recommendations.
- B. EMI/RFI Filtering: Certify compliance with IEC 61800-3 for Category C2.

2.6 OPTIONAL FEATURES

- A. Multiple-Motor Capability: VFC suitable for variable-speed service to multiple motors. Overload protection shuts down VFC and motors served by it, and generates fault indications when overload protection activates.
 - 1. Configure to allow two or more motors to operate simultaneously at the same speed; separate overload relay for each controlled motor.
- B. Damper control circuit with end-of-travel feedback capability.
- C. Sleep Function: Senses a minimal deviation of a feedback signal and stops the motor. On an increase in speed-command signal deviation, VFC resumes normal operation.
- D. Motor Preheat Function: Preheats motor when idle to prevent moisture accumulation in the motor.
- E. Firefighter's Override (Smoke Purge) Input: On a remote contact closure from the firefighter's control station, this password-protected input:
 - 1. Overrides all other local and external inputs (analog/digital, serial communication, and all keypad commands).
 - 2. Forces VFC to operate motor, without any other run or speed command, at a field-adjustable, preset speed.
 - 3. Forces VFC to transfer to bypass mode and operate motor at full speed.
 - 4. Causes display of override mode on the VFC display.
 - 5. Reset VFC to normal operation on removal of override signal automatically.
- F. Remote Indicating Circuit Terminals: Mode selection, controller status, and controller fault.
- G. Remote digital operator kit.
- H. Communication Port: RS-232 port, USB 2.0 port, or equivalent connection capable of connecting a printer and a notebook computer.

2.7 ENCLOSURES

- A. VFC Enclosures: NEMA 250, to comply with environmental conditions at installed location.
 - 1. Dry and Clean Indoor Locations: Type 1.
- B. Plenum Rating: UL 1995; NRTL certification label on enclosure, clearly identifying VFC as "Plenum Rated."

2.8 ACCESSORIES

- A. Phase-Failure, Phase-Reversal, and Undervoltage and Overvoltage Relays: Solid-state sensing circuit with isolated output contacts for hard-wired connections. Provide adjustable undervoltage, overvoltage, and time-delay settings.

1. Current Transformers: Continuous current rating, basic impulse insulating level (BIL) rating, burden, and accuracy class suitable for connected circuitry. Comply with IEEE C57.13.
- B. Cooling Fan and Exhaust System: For NEMA 250, Type 1; UL 508 component recognized: Supply fan, with composite intake and exhaust grills and filters; 120-V ac; obtained from integral CPT.

2.9 SOURCE QUALITY CONTROL

- A. Testing: Test and inspect VFCs according to requirements in NEMA ICS 61800-2.
 1. Test each VFC while connected to a motor that is comparable to that for which the VFC is rated.
 2. Verification of Performance: Rate VFCs according to operation of functions and features specified.
- B. VFCs will be considered defective if they do not pass tests and inspections.
- C. Prepare test and inspection reports.

PART 3 - EXECUTION

3.1 EXAMINATION

- A. Examine areas, surfaces, and substrates to receive VFCs, with Installer present, for compliance with requirements for installation tolerances, and other conditions affecting performance of the Work.
- B. Examine VFC before installation. Reject VFCs that are wet, moisture damaged, or mold damaged.
- C. Examine roughing-in for conduit systems to verify actual locations of conduit connections before VFC installation.
- D. Prepare written report, endorsed by Installer, listing conditions detrimental to performance of the Work
- E. Proceed with installation only after unsatisfactory conditions have been corrected.

3.2 INSTALLATION

- A. Wall-Mounting Controllers: Install with tops at uniform height and with disconnect operating handles not higher than 79 inches (2000 mm) above finished floor, unless otherwise indicated, and by bolting units to wall or mounting on lightweight structural-steel channels bolted to wall. For controllers not on walls, provide freestanding racks complying with Section 260529 "Hangers and Supports for Electrical Systems."
- B. Floor-Mounting Controllers: Install VFCs on 4-inch (100-mm) nominal thickness concrete base. Comply with requirements for concrete base specified in Section 033000 "Cast-in-Place Concrete" or Section 033053 "Miscellaneous Cast-in-Place Concrete."
 1. Install dowel rods to connect concrete base to concrete floor. Unless otherwise indicated, install dowel rods on 18-inch (450-mm) centers around the full perimeter of concrete base.
 2. For supported equipment, install epoxy-coated anchor bolts that extend through concrete base and anchor into structural concrete floor.
 3. Place and secure anchorage devices. Use setting drawings, templates, diagrams, instructions, and directions furnished with items to be embedded.
 4. Install anchor bolts to elevations required for proper attachment to supported equipment.

- C. Roof-Mounting Controllers: Install VFC on roofs with tops at uniform height and with disconnect operating handles not higher than 79 inches (2000 mm) above finished roof surface unless otherwise indicated, and by bolting units to curbs or mounting on freestanding, lightweight, structural-steel channels bolted to curbs. Seal roof penetrations after raceways are installed.
 - 1. Curbs and roof penetrations are specified in Section 077200 "Roof Accessories."
 - 2. Structural-steel channels are specified in Section 260529 "Hangers and Supports for Electrical Systems."
- D. Seismic Bracing: Comply with requirements specified in Section 260548.16 "Seismic Controls for Electrical Systems."
- E. Temporary Lifting Provisions: Remove temporary lifting eyes, channels, and brackets and temporary blocking of moving parts from enclosures and components.
- F. Install fuses in each fusible-switch VFC.
- G. Install fuses in control circuits if not factory installed. Comply with requirements in Section 262813 "Fuses."
- H. Install heaters in thermal-overload relays. Select heaters based on actual nameplate full-load amperes after motors are installed.
- I. Install, connect, and fuse thermal-protector monitoring relays furnished with motor-driven equipment.
- J. Comply with NECA 1.

3.3 CONTROL WIRING INSTALLATION

- A. Install wiring between VFCs and remote devices and facility's central-control system. Comply with requirements in Section 260523 "Control-Voltage Electrical Power Cables."
- B. Bundle, train, and support wiring in enclosures.
- C. Connect selector switches and other automatic-control devices where applicable.
 - 1. Connect selector switches to bypass only those manual- and automatic-control devices that have no safety functions when switches are in manual-control position.
 - 2. Connect selector switches with control circuit in both manual and automatic positions for safety-type control devices such as low- and high-pressure cutouts, high-temperature cutouts, and motor-overload protectors.

3.4 IDENTIFICATION

- A. Identify VFCs, components, and control wiring. Comply with requirements for identification specified in Section 260553 "Identification for Electrical Systems."
 - 1. Identify field-installed conductors, interconnecting wiring, and components; provide warning signs.
 - 2. Label each VFC with engraved nameplate.
 - 3. Label each enclosure-mounted control and pilot device.
- B. Operating Instructions: Frame printed operating instructions for VFCs, including control sequences and emergency procedures. Fabricate frame of finished metal, and cover instructions with clear acrylic plastic. Mount on front of VFC units.

3.5 FIELD QUALITY CONTROL

- A. Manufacturer's Field Service: Engage a factory-authorized service representative to test and inspect components, assemblies, and equipment installations, including connections.
- B. Perform tests and inspections with the assistance of a factory-authorized service representative.
- C. Acceptance Testing Preparation:

1. Test insulation resistance for each VFC element, bus, component, connecting supply, feeder, and control circuit.
 2. Test continuity of each circuit.
- D. Tests and Inspections:
1. Inspect VFC, wiring, components, connections, and equipment installation. Test and adjust controllers, components, and equipment.
 2. Test insulation resistance for each VFC element, component, connecting motor supply, feeder, and control circuits.
 3. Test continuity of each circuit.
 4. Verify that voltages at VFC locations are within 10 percent of motor nameplate rated voltages. If outside this range for any motor, notify Owner before starting the motor(s).
 5. Test each motor for proper phase rotation.
 6. Perform tests according to the Inspection and Test Procedures for Adjustable Speed Drives stated in NETA Acceptance Testing Specification. Certify compliance with test parameters.
 7. Correct malfunctioning units on-site, where possible, and retest to demonstrate compliance; otherwise, replace with new units and retest.
 8. Perform the following infrared (thermographic) scan tests and inspections, and prepare reports:
 - a. Initial Infrared Scanning: After Substantial Completion, but not more than 60 days after Final Acceptance, perform an infrared scan of each VFC. Remove front panels so joints and connections are accessible to portable scanner.
 - b. Follow-up Infrared Scanning: Perform an additional follow-up infrared scan of each VFC 11 months after date of Substantial Completion.
 - c. Instruments and Equipment: Use an infrared scanning device designed to measure temperature or to detect significant deviations from normal values. Provide calibration record for device.
 9. Test and adjust controls, remote monitoring, and safeties. Replace damaged and malfunctioning controls and equipment.
- E. VFCs will be considered defective if they do not pass tests and inspections.
- F. Prepare test and inspection reports, including a certified report that identifies the VFC and describes scanning results. Include notation of deficiencies detected, remedial action taken, and observations made after remedial action.

3.6 STARTUP SERVICE

- A. Engage a factory-authorized service representative to perform startup service.
1. Complete installation and startup checks according to manufacturer's written instructions.

3.7 ADJUSTING

- A. Program microprocessors for required operational sequences, status indications, alarms, event recording, and display features. Clear events memory after final acceptance testing and prior to Substantial Completion.
- B. Set field-adjustable switches, auxiliary relays, time-delay relays, timers, and overload-relay pickup and trip ranges.
- C. Adjust the trip settings of instantaneous-only circuit breakers and thermal-magnetic circuit breakers with adjustable, instantaneous trip elements. Initially adjust to 6 times the motor nameplate full-load amperes and attempt to start motors several times, allowing for motor cool-down between starts. If tripping occurs on motor inrush, adjust settings in increments until motors start without tripping. Do not exceed 8 times the motor full-load amperes (or 11 times for NEMA Premium Efficient motors if required). Where these maximum settings do not allow starting of a motor, notify Owner before increasing settings.
- D. Set the taps on reduced-voltage autotransformer controllers.

- E. Set field-adjustable circuit-breaker trip ranges as specified in Section 260573 "Overcurrent Protective Device Coordination Study."
- F. Set field-adjustable pressure switches.

3.8 PROTECTION

- A. Temporary Heating: Apply temporary heat to maintain temperature according to manufacturer's written instructions until controllers are ready to be energized and placed into service.
- B. Replace VFCs whose interiors have been exposed to water or other liquids prior to Substantial Completion.

3.9 DEMONSTRATION

- A. Engage a factory-authorized service representative to train Owner's maintenance personnel to adjust, operate, reprogram, and maintain VFCs.

END OF SECTION

SECTION 26 51 19
LED INTERIOR LIGHTING**PART 1 - GENERAL****1.1 RELATED DOCUMENTS**

- A. Drawings and general provisions of the Contract, including General and Supplementary Conditions and Division 01 Specification Sections, apply to this Section.

1.2 SUMMARY

- A. Section Includes:
1. Interior solid-state luminaires that use LED technology.
 2. Lighting fixture supports.
 3. Standby Emergency Power supplies for individual luminaires
- B. Related Requirements:
1. Section 26 09 23 "Lighting Control Devices" for automatic control of lighting, including time switches, photoelectric relays, occupancy sensors, and multipole lighting relays and contactors.
 2. Section 26 09 36 "Standalone Multipreset Modular Dimming Controls" for architectural dimming systems and for fluorescent dimming controls with dimming ballasts specified in interior lighting Sections.
 3. Section 26 09 43 "Relay-Based Lighting Controls" for manual or programmable control systems with low-voltage control wiring or data communication circuits.

1.3 DEFINITIONS

- A. CCT: Correlated color temperature.
- B. CRI: Color Rendering Index.
- C. Fixture: See "Luminaire."
- D. IP: International Protection or Ingress Protection Rating.
- E. LED: Light-emitting diode.
- F. Lumen: Measured output of lamp and luminaire, or both.
- G. Luminaire: Complete lighting unit, including lamp, reflector, and housing.

1.4 ACTION SUBMITTALS

- A. Product Data: For each type of product.
1. Arrange in order of luminaire designation.
 2. Include data on features, accessories, and finishes.
 3. Include physical description and dimensions of luminaires.
 4. Include emergency lighting units, including batteries and chargers.
 5. Include life, output (lumens, CCT, and CRI), and energy efficiency data.
 6. Photometric data and adjustment factors based on laboratory tests, complying with IESNA Lighting Measurements Testing and Calculation Guides, of each lighting fixture type. The adjustment factors shall be for lamps and accessories identical to those indicated for the lighting fixture as applied in this Project. Report data compliant with IES LM-79 and IES LM-80. Only Absolute Photometry is acceptable.
 - a. Manufacturers' Certified Data: Photometric data certified by manufacturer's laboratory with a current accreditation under the National Voluntary Laboratory Accreditation Program for Energy Efficient Lighting Products (NVLAP).
- B. Shop Drawings: For nonstandard or custom luminaires.

1. Include plans, elevations, sections, and mounting and attachment details.
 2. Include details of luminaire assemblies. Indicate dimensions, weights, loads, required clearances, method of field assembly, components, and location and size of each field connection.
 3. Include diagrams for power, signal, and control wiring.
- C. LEED Submittals:
1. Product Data for Credit IEQ 4.2: For paints and coatings, documentation including printed statement of VOC content.
 2. Laboratory Test Reports for Credit IEQ 4.2: For paints and coatings, documentation indicating that products comply with the testing and product requirements of the California Department of Public Health's "Standard Method for the Testing and Evaluation of Volatile Organic Chemical Emissions from Indoor Sources Using Environmental Chambers."
- D. Samples: For each luminaire and for each color and texture with standard factory-applied finish.
- E. Samples for Initial Selection: For each type of luminaire with custom factory-applied finishes.
1. Include Samples of luminaires and accessories involving color and finish selection.
- F. Samples for Verification: For each type of luminaire.
1. Include Samples of luminaires and accessories to verify finish selection.
- G. Product Schedule: For luminaires and lamps. Use same designations indicated on Drawings.

1.5 INFORMATIONAL SUBMITTALS

- A. Coordination Drawings: Reflected ceiling plan(s) and other details, drawn to scale, on which the following items are shown and coordinated with each other, using input from installers of the items involved:
1. Lighting luminaires.
 2. Suspended ceiling components.
 3. Partitions and millwork that penetrate the ceiling or extend to within 12 inches (300 mm) of the plane of the luminaires.
 4. Structural members to which equipment and or luminaires will be attached.
 5. Initial access modules for acoustical tile, including size and locations.
 6. Items penetrating finished ceiling, including the following:
 - a. Other luminaires.
 - b. Air outlets and inlets.
 - c. Speakers.
 - d. Sprinklers.
 - e. Access panels.
 - f. Ceiling-mounted projectors.
 - g.
 7. Moldings.
- B. Qualification Data: For testing laboratory providing photometric data for luminaires.
- C. Seismic Qualification Certificates: For luminaires, accessories, and components, from manufacturer.
1. Basis for Certification: Indicate whether withstand certification is based on actual test of assembled components or on calculation.
 2. Dimensioned Outline Drawings of Equipment Unit: Identify center of gravity and locate and describe mounting and anchorage provisions.
- D. Detailed description of equipment anchorage devices on which the certification is based and their installation requirements.
- E. Product Certificates: For each type of luminaire.
- F. Product Test Reports: For each luminaire, for tests performed by manufacturer or a qualified testing agency holding NVLAP accreditation.

- G. Sample warranty.

1.6 CLOSEOUT SUBMITTALS

- A. Operation and Maintenance Data: For luminaires and lighting systems to include in operation and maintenance manuals.
 - 1. Provide a list of all lamp types LED Modules and LED Drivers used on Project; use ANSI and manufacturers' codes.

1.7 MAINTENANCE MATERIAL SUBMITTALS

- A. Furnish extra materials that match products installed and that are packaged with protective covering for storage and identified with labels describing contents citing lighting fixture types.
 - 1. Lamps: 2 for every 100 of each type and rating installed. Furnish at least one of each type.
 - 2. Diffusers and Lenses: One for every 100 of each type and rating installed. Furnish at least one of each type.
 - 3. Globes and Guards: One for every 20 of each type and rating installed. Furnish at least one of each type.

1.8 QUALITY ASSURANCE

- A. Luminaire Photometric Data Testing Laboratory Qualifications: Luminaire manufacturer's laboratory that is accredited under the NVLAP for Energy Efficient Lighting Products.
- B. Luminaire Photometric Data Testing Laboratory Qualifications: Provided by an independent agency, with the experience and capability to conduct the testing indicated, that is an NRTL as defined by OSHA in 29 CFR 1910.7, accredited under the NVLAP for Energy Efficient Lighting Products, and complying with the applicable IES testing standards.
- C. Provide luminaires from a single manufacturer for each luminaire type.
- D. Each luminaire type shall be binned within a three-step MacAdam Ellipse to ensure color consistency among luminaires.
- E. Mockups: For interior lighting luminaires in room or module mockups, complete with power and control connections.
 - 1. Obtain Architect's approval of luminaires in mockups before starting installations.
 - 2. Maintain mockups during construction in an undisturbed condition as a standard for judging the completed Work.
 - 3. Approval of mockups does not constitute approval of deviations from the Contract Documents contained in mockups unless Architect specifically approves such deviations in writing.
 - 4. Subject to compliance with requirements, approved mockups may become part of the completed Work if undisturbed at time of Substantial Completion.

1.9 DELIVERY, STORAGE, AND HANDLING

- A. Protect finishes of exposed surfaces by applying a strippable, temporary protective covering before shipping.

1.10 WARRANTY

- A. Warranty: Manufacturer and Installer agree to repair or replace components of luminaires that fail in materials or workmanship within specified warranty period.
- B. Warranty Period: Five year(s) from date of Substantial Completion.

PART 2 - PRODUCTS

2.1 PERFORMANCE REQUIREMENTS

- A. Seismic Performance: Luminaires shall withstand the effects of earthquake motions determined according to ASCE/SEI 7.

- B. Seismic Performance: Luminaires and lamps shall be labeled vibration and shock resistant.
 - 1. The term "withstand" means "the luminaire will remain in place without separation of any parts when subjected to the seismic forces specified and the luminaire will be fully operational during and after the seismic event."

2.2 LUMINAIRE REQUIREMENTS

- A. Electrical Components, Devices, and Accessories: Listed and labeled as defined in NFPA 70, by a qualified testing agency, and marked for intended location and application.
- B. NRTL Compliance: Luminaires for hazardous locations shall be listed and labeled for indicated class and division of hazard by an NRTL.
- C. FM Global Compliance: Luminaires for hazardous locations shall be listed and labeled for indicated class and division of hazard by FM Global.
- D. Recessed Fixtures: Comply with NEMA LE 4.
- E. Bulb shape complying with ANSI C79.1.
- F. Lamp base complying with ANSI C81.61 or IEC 60061-1, where employing universal base or mount.
- G. CRI of minimum 80. CCT of 3500 K.
- H. L70 rated lamp life of 50,000 hours.
- I. Lamps dimmable as indicated or 0.5 to 100 percent of maximum light output, via 0-10 VDC control signal or, where indicated, Digital Dimming Control Signal.
- J. Field Replaceable driver.
- K. Nominal Operating Voltage: Universal voltage 120 V ac or 277 V ac unless scheduled differently.
 - 1. Lens Thickness: At least 0.125 inch (3.175 mm) minimum unless otherwise indicated.
- L. Housings:
 - 1. Hydroformed, cast or extruded-aluminum housing and heat sink suitable for the environment.
 - 2. Anodized or powder-coat finish.

2.3 LED LAMPS AND DRIVERS:

- A. Minimum CRI Ra- 82 or as specified.
- B. Lumen output shall be Luminaire Lumens or Delivered Lumens. Source lumens shall not be used.
- C. Each luminaire type shall be binned within a three-step MacAdam Ellipse to ensure color consistency among luminaires.
- D. LED Rated life L70 of 50,000 hours per (IES LM-80). Luminaire shall maintain LED operating temperature to achieve this rating per TM-21.
- E. Flicker: No visible or detectable flicker, operating on all dimmed intensities.
- F. Dimming drivers shall be compatible with the control method shown on the drawings. All dimmed drivers shall use 0-10vdc control unless specified differently. Minimum level as scheduled.
- G. Inrush current shall be reported and the lighting controls adjusted for inrush of LED product supplied.
- H. THD: THD shall not exceed 80%.
- I. Minimum driver efficiency shall be 83%.

- J. LED module shall be replaceable in the field using modules with digitally traceable matching modules.
- K. Luminaire shall be NRTL Listed at intended operating temperature.
- L. Photometry shall be measured or absolute photometry. Derived or calculated photometry shall not be provided for consideration.
- M. Approved Manufacturers- Drivers
 - 1. General Electric.
 - 2. Philips.
 - 3. Osram / Sylvania.
 - 4. Lutron
 - 5. EldoLED
 - 6. Thomas Research
- N. Approved Manufacturers- LEDs
 - 1. General Electric
 - 2. Philips
 - 3. Osram
 - 4. Cree
 - 5. Xicato
 - 6. Nichia
- O. Approved Manufacturers for Luminaires shall be as scheduled.

2.4 MATERIALS

- A. Metal Parts:
 - 1. Free of burrs and sharp corners and edges.
 - 2. Sheet metal components shall be steel unless otherwise indicated.
 - 3. Form and support to prevent warping and sagging.
- B. Doors, Frames, and Other Internal Access: Smooth operating, free of light leakage under operating conditions, and designed to permit relamping without use of tools. Designed to prevent doors, frames, lenses, diffusers, and other components from falling accidentally during relamping and when secured in operating position.
- C. Diffusers and Globes:
 - 1. Acrylic Diffusers: One hundred percent virgin acrylic plastic, with high resistance to yellowing and other changes due to aging, exposure to heat, and UV radiation.
 - 2. Glass: Annealed crystal glass unless otherwise indicated.
 - 3. Lens Thickness: At least 0.125 inch (3.175 mm) minimum unless otherwise indicated.
- D. Housings:
 - 1. Hydroformed, cast or extruded-aluminum housing and heat sink suitable for the environment.
 - 2. Anodized or powder-coat finish.
- E. Factory-Applied Labels: Comply with UL 1598. Include recommended lamps and line wattage. Locate labels where they will be readily visible to service personnel, but not seen from normal viewing angles when lamps are in place.
 - 1. Label shall include the following lamp characteristics:
 - a. "USE ONLY" and include specific lamp type.
 - b. Lamp diameter, shape, size, wattage, and coating.
 - c. CCT and CRI for all luminaires.

2.5 METAL FINISHES

- A. Variations in finishes are unacceptable in the same piece. Variations in finishes of adjoining components are acceptable if they are within the range of approved Samples and if they can be and are assembled or installed to minimize contrast.

2.6 LUMINAIRE FIXTURE SUPPORT COMPONENTS

- A. Comply with requirements in Section 26 05 29 "Hangers and Supports for Electrical Systems" for channel and angle iron supports and nonmetallic channel and angle supports.
- B. Single-Stem Hangers: 1/2-inch (13-mm) steel tubing with swivel ball fittings and ceiling canopy. Finish same as luminaire.
- C. Wires: ASTM A 641/A 641 M, Class 3, soft temper, zinc-coated steel, 12 gauge (2.68 mm).
- D. Rod Hangers: 3/16-inch (5-mm) minimum diameter, cadmium-plated, threaded steel rod.
- E. Hook Hangers: Integrated assembly matched to luminaire, line voltage, and equipment with threaded attachment, cord, and locking-type plug.

2.7 GENERAL REQUIREMENTS FOR EMERGENCY LIGHTING

- A. Electrical Components, Devices, and Accessories: Listed and labeled as defined in NFPA 70, by a qualified testing agency, and marked for intended location and application.
- B. NRTL Compliance: Fabricate and label emergency lighting units, exit signs, and batteries to comply with UL 924.
- C. Comply with NFPA 70 and NFPA 101.
- D. Comply with NEMA LE 4 for recessed luminaires.
- E. Internal Type Emergency Power Unit: Self-contained, modular, battery-inverter unit, factory mounted within luminaire body and compatible with LED light source and driver, including dimming driver.
 - 1. Emergency Connection: Operate luminaire continuously at an output of 5 watts upon loss of normal power. Connect unswitched circuit to battery-inverter unit and switched circuit to luminaire ballast.
 - 2. Operation: Relay automatically turns driver/led module on when power-supply circuit voltage drops to 80 percent of nominal voltage or below. Lamp automatically disconnects from battery when voltage approaches deep-discharge level. When normal voltage is restored, relay disconnects lamps from battery, and battery is automatically recharged and floated on charger.
 - 3. Environmental Limitations: Rate equipment for continuous operation under the following conditions unless otherwise indicated:
 - a. Ambient Temperature: Less than 0 deg F or exceeding 104 deg F with an average value exceeding 95 deg over a 24-hour period.
 - b. Ambient Storage Temperature: Not less than minus 4 deg F and not exceeding 140 deg F
 - c. Humidity: More than 95 percent (condensing).
 - d. Altitude: Exceeding 3300 feet
 - 4. Battery: Sealed, maintenance-free, lead-acid type.
 - 5. Charger: Fully automatic, solid-state, constant-current type with sealed power transfer relay.
 - 6. Integral Self-Test: Factory-installed electronic device automatically initiates code-required test of unit emergency operation at required intervals. Test failure is annunciated by an integral audible alarm and a flashing red LED.

PART 3 - EXECUTION

3.1 EXAMINATION

- A. Examine substrates, areas, and conditions, with Installer present, for compliance with requirements for installation tolerances and other conditions affecting performance of the Work.
- B. Examine roughing-in for luminaire to verify actual locations of luminaire and electrical connections before fixture installation. Proceed with installation only after unsatisfactory conditions have been corrected.

3.2 TEMPORARY LIGHTING

- A. If approved by the Architect, use selected permanent luminaires for temporary lighting. When construction is sufficiently complete, clean luminaires used for temporary lighting and install new lamps.

3.3 INSTALLATION

- A. Comply with NECA 1.
- B. Install luminaires level, plumb, and square with ceilings and walls unless otherwise indicated.
- C. Supports:
 - 1. Sized and rated for luminaire weight.
 - 2. Able to maintain luminaire position after cleaning and repair.
 - 3. Provide support for luminaire without causing deflection of ceiling or wall.
 - 4. Luminaire mounting devices shall be capable of supporting a horizontal force of 100 percent of luminaire weight and vertical force of 400 percent of luminaire weight.
- D. Flush-Mounted Luminaire Support:
 - 1. Secured to outlet box.
 - 2. Attached to ceiling structural members at four points equally spaced around circumference of luminaire.
 - 3. Trim ring flush with finished surface.
- E. Wall-Mounted Luminaire Support:
 - 1. Attached to structural members or approved backer plate in walls
 - 2. Do not attach luminaires directly to gypsum board.
- F. Ceiling-Mounted Luminaire Support:
 - 1. Ceiling mount with four 5/32-inch- (4-mm) diameter steel wire or aircraft cable supports.
 - 2. Ceiling mount with hook mount.
- G. Suspended Luminaire Support:
 - 1. Pendants and Rods: Where longer than 48 inches (1200 mm), brace to limit swinging.
 - 2. Stem-Mounted, Single-Unit Luminaires: Suspend with twin-stem hangers. Support with approved outlet box and accessories that hold stem and provide damping of luminaire oscillations. Support outlet box vertically to building structure using approved devices.
 - 3. Continuous Rows of Luminaires: Use tubing or stem for wiring at one point and wire support for suspension for each unit length of luminaire chassis, including one at each end.
 - 4. Do not use ceiling grid as support for pendant luminaires. Connect support wires or rods to building structure.
- H. Ceiling-Grid-Mounted Luminaires:
 - 1. Secure to any required outlet box.
 - 2. Secure luminaire to the luminaire opening using approved fasteners in a minimum of four locations, spaced near corners of luminaire.
 - 3. Use approved devices and support components to connect luminaire to ceiling grid and building structure in a minimum of four locations, spaced near corners of luminaire.
- I. Comply with requirements in Section 26 05 19 "Low-Voltage Electrical Power Conductors and Cables" for wiring connections.

3.4 IDENTIFICATION

- A. Identify system components, wiring, cabling, and terminals. Comply with requirements for identification specified in Section 26 05 53 "Identification for Electrical Systems."

3.5 FIELD QUALITY CONTROL

- A. Perform the following tests and inspections:
 - 1. Operational Test: After installing luminaires, switches, and accessories, and after electrical circuitry has been energized, test units to confirm proper operation.

2. Test for Emergency Lighting: Interrupt power supply to demonstrate proper operation. Verify transfer from normal power to battery power and retransfer to normal.
- B. Luminaire will be considered defective if it does not pass operation tests and inspections.
- C. Prepare test and inspection reports.

3.6 STARTUP SERVICE

- A. Comply with requirements for startup specified in Section 26 09 43 "Relay-Based Lighting Controls."

3.7 ADJUSTING

- A. Occupancy Adjustments: When requested within 12 months of date of Substantial Completion, provide on-site assistance in adjusting the direction of aim of luminaires to suit occupied conditions. Make up to two visits to Project during other-than-normal hours for this purpose. Some of this work may be required during hours of darkness.
1. During adjustment visits, inspect all luminaires. Replace luminaires that are defective.
 2. Parts and supplies shall be manufacturer's authorized replacement parts and supplies.
 3. Adjust the aim of luminaires in the presence of the Architect.

END OF SECTION

SECTION 27000**GENERAL COMMON CONDITIONS FOR ALL
COMMUNICATION SECTIONS****PART 1 - GENERAL****1.1 RELATED DOCUMENTS**

- A. Drawings and General Provisions of the Contract, including General and Supplementary Conditions and Division 01 Specification Sections, and other documents as designated, apply to this Document.
- B. See Division 7 and section 27 01 00 Part 3 for additional requirements.

1.2 RELATED SECTIONS

- A. Specifications throughout all Divisions of the Project Manual are directly applicable to this section, and this section is directly applicable to them.
 - 1. All Division 27 Sections
 - 2. Requirements of the following Division 26 sections apply to this section
 - a. Basic electrical requirements
 - b. Basic electrical materials and methods
 - c. Grounding, earthing, and bonding
 - 3. Division 21 Fire Suppression
 - 4. Division 22 Plumbing
 - 5. Division 23 HVAC
 - 6. Division 28 Electronic Safety and Security

1.3 SUMMARY

- A. The work on many processes in this section are not part of the Division 27 contract. The respective trades shall include their portions, and administration topics that are applicable to all Division 27 Sections in their proposals.
- B. This document is based upon the 2018 Construction Specification Institute (CSI) Master Format numbers and titles for sections within Division 27: Communications.
- C. Where IT or Owner representation is stipulated in this Division, it shall be provided by the Data Center Operations Infrastructure Cabling team.

1.4 SUBMITTALS

- A. Product data shall be supplied for any parts/equipment that does not match the specified part number.
- B. Shop drawings
 - 1. Labeling schedules and layouts in owner designated electronic format
 - 2. Cabling administrative drawings

1.5 CONDITIONS

- A. Drawings and General provisions of the contract, including Uniform General Conditions, Supplementary General Conditions, architectural plans and specifications, requirements of Division 1, electrical, mechanical, plumbing, audio visual, security and telecommunications specifications and plans apply to the communications section, and shall be consider a part of this section. The contractor shall read all sections in their

- entirety and apply them as appropriate for work in this section.
- B. Prior to beginning installation, a kick-off meeting to properly coordinate the tray installation and expectations should be held. It should be arranged by the General Contractor, and at a minimum include representatives of the following trades: FP&D, Electrical (Div. 26), Structured cable, Nurse Call, paging, building automation and control, plumbing, HVAC, fire sprinkler, framing, and others as applicable. The Data Center Operations Infrastructure Cabling Team will lead the meeting.
- C. Conflicts:
1. Drawings and specifications are to be used in conjunction with one another and to supplement one another. In general, the drawings determine the nature and quality of the installation, materials, and tests. The quantities are derived from the drawings, details, listings, and manufacturer's directions.
 - a. Final order counts and distances are the contractor's responsibility.
 2. If there is an apparent conflict between the drawings and specifications, or between specification sections, the items with the greater quality or quantity shall be submitted, estimated, and installed.
 3. Clarification with the Owner and/or Owner's Representative about these items shall be made prior to the ordering and installation.
- D. Owner / Contractor
1. The Architect/Project Manager will submit appropriate scope of work information that will allow the contractor to appropriately plan and bid the project.
- E. Contractor
1. Furnish all labor, materials, tools, equipment and services for the installation described herein. Provide add/deduct unit pricing for all components as part of the bid response. Base fixed price add/deduct units on an average cable length of 175 linear feet.
 2. The Contractor shall procure and maintain for the duration of this agreement, insurance against claims.
 3. Use of Subcontractors: Successful bidder shall inform the Owner's contact and/or General Contractor in writing about the intention to use Subcontractors and the scope of work for which they are being hired. The Owner or Owner's designated contact must approve the chosen Subcontractors in writing prior to the Subcontractor's hiring and start of any work. The low voltage Subcontractor must be approved and certified. Refer to the listing in appendix 7.
 4. Use of Subcontractors: The Contractor's designated project manager will be recognized as the single point of contact. The Project manager shall oversee all work performed to ensure compliance with specifications as outlined in bid documents (which includes all specifications and drawings) to ensure a quality installation.

1.6 SCOPE OF WORK:

- A. This establishes a communications infrastructure to be used as signal pathways for voice, high-speed data transmission, and other low voltage services. Contractor shall:
1. Comply with all Master Specifications documents and the following requirements for a complete project installation.
 2. Provide a structured cabling system as described hereafter that includes, but is not limited to, supplying, installing, labeling and testing of fiber backbone, fiber and voice riser cable; data copper, fiber, and voice copper horizontal cabling, cable connectors, communications outlets and terminations, patch cables, and equipment racks/cabinets for networking hardware and patch panels.
 3. All requirements and specifications will be enforced. Cable pathways and runs to individual outlets are not shown in their entirety but shall be provided as if shown in their entirety.

4. Coordinate with electrical tradespersons to verify conduit routing does not cause cabling to exceed allowable link length.
5. Follow industry standard installation procedures, including BICSI Installation Standard and guidelines as well as specified manufacturers standard recommended procedures and installation practices for communications cable to assure that the mechanical and electrical transmission characteristics of this cable plant and equipment are maintained.
6. The Division 27 work shall be performed by an approved, certified installer.
7. The low voltage communications Subcontractor shall complete non-concealed work.

1.7 REFERENCE STANDARDS:

- A. The latest published edition of a reference shall be applicable to this Project unless identified by a specific edition date.
- B. All reference amendments adopted prior to the effective date of the Contract shall be applicable to this Project.
- C. The publications listed below form a part of this specification. The publications are referred to in the text by basic designation only.
- D. Specific reference in specifications to codes, rules, regulations, standards, manufacturer's instructions, or requirements of regulatory agencies shall mean reference to the latest printed edition of each in effect at the date of contract.
- E. Codes and Standards (Most recent editions with addenda/TSB, etc.) All materials, installation and workmanship shall meet or exceed the applicable requirements and standards addressed within the references listed in **Appendix 04**.

1.8 DEFINITIONS:

- A. Definitions and Abbreviations are listed in **Appendix 05**:

PART 2 - PRODUCTS

2.1 PRODUCTS AND WORK NOT included BY DIVISION 27

- A. Others shall separately purchase and/or provide certain equipment and miscellaneous items that will be installed during the installation process. Such items may not be indicated in the documents. Contractor shall coordinate with the Owner and his suppliers when considering:
 1. Provision and installation of phone systems, computer hardware, and related networking software and equipment.
 2. Provision and installation of multi-port routers, hubs in communications rooms.
 - a. TEC/TDR UPS's are owner provided.
 3. Communications grounding bus bars and grounding wires connecting to the main building electrode system by Division 26.
 4. Dedicated power panels, ground bus bars, circuits and utility outlets.
 5. Installation and finishing of fire-rated plywood backboards.
 6. Building mechanical ductwork, cooling/heating system, and environmental control sensors.
 7. Communication pathway devices such as, conduits, conduit sleeves, back boxes, and penetrations in walls and floors. Including, but not limited to concealed work, office spaces and open areas.
 8. Provision and installation of modular furniture and millwork.

PART 3 - PENETRATIONS

3.1 THE WORK IN THIS SECTION IS IN DIVISION 7 CONTRACT; AND VERIFIED COMPLETE AT PROJECT TURNOVER.

- A. Wall Penetrations - Fire - Smoke – Sound
1. All fire, smoke, and sound wall penetrations must be correctly made to protect the safety of patients and employees. A facility is designed/architected and built with fire integrity that must not be lost as the building is modified over its lifetime.
 2. The items listed often penetrate 1 – and 2 – hour fire-resistance-rated (FRR) assemblies. General requirements for filling the space between the item in question and the wall are found in NFPC 101® Section 8.2.3.2.4.2. There is the option to either fill the space with appropriately rated fire-stop material or protect the space with an approved device designed to maintain the fire resistance of the wall.
 3. If a sleeve is used around the item that transverses the wall, the sleeve must be installed into the wall without any opening between the sleeve and the wall. The open space within the sleeve must then be filled with appropriately rated fire stop.
- B. All items listed in 1 through 2 must have penetrations in fire-resistance-rated assemblies filled to maintain the integrity of the fire barrier.
1. Conduits
 - a. When conduit passes through a wall that is either rated or must be fire-stopped due to lack of sprinklers in the compartment, it is essential to fill any gap around the conduit as described above.
 2. Cables/Wires
 - a. Sometimes cables or wires are passed through a penetration contained in a fire wall as a single installation. This often happens in a health care organization with communication cables. Even in these cases, the penetration must be patched appropriately.
 3. NOTE: Fire, smoke, and sound wall penetrations are also governed by local and state building codes.
 4. NOTE: This requirement applies to all departments, organizations, employees, and/or vendors who perform structured cable work in the facilities for:
 - a. Telephony and Computer networks, fire, smoke, and sound wall penetrations, alarm systems, security systems, HVAC Control or sensors, patient entertainment systems, announcing systems, nurse call, telemetry, RFID, etc.
 5. NOTE: While this document is written specifically for low voltage wiring, the JCAHO standards apply for any fire or smoke wall penetration. As you perform work in the facility, if you note any existing penetrations that are not up to standard, please notify the construction Project Manager immediately.
 6. While Facility Engineering has the overall responsibility, each department, organization, employee, and/or vendor has the responsibility to follow the process in obtaining a permit from facility engineering before work is started and to follow the guidelines to maintain the fire/smoke wall integrity.
- C. Process:
1. NOTE: This process applies to any person, group, and/or vendor who perform low voltage cable installations at any Intermountain facility or clinic.
 - a. Fire/Smoke Walls
 - 1) Any Vendor, department, and/or person needing to do any cable work that involves wall penetrations, adding to existing or new, are required to obtain a “Low Voltage Cable Work Permit” from Facility Engineer.
 - b. Above Ceiling Work
 - 1) Any vendor, department, and/or person needing to do any cable work above ceiling tiles, adding to existing or new, are required
- to obtain all required permits.

- c. Above Ceiling Permit to be obtained from Facilities Management
 - 1) The permit requires detail information as to what work is being done, where the work will be done. The permit will also state the current approved sealing compound for the facility and specific requirements for conduits etc.
 - 2) There may also be specific rules regarding how work may be conducted in certain areas of the hospital. NOTE: Different manufacture's sealing products can NOT be used in the same penetration. Therefore, if an additional cable is added to an existing penetration, and you don't have the same brand of caulk, you must remove all of the caulk and re-do the seal completely.
- d. ICRA Permit to be obtain from Infectious Preventionist
- e. Hot Work Permit to be obtain from Facilities Engineer
- 2. Quality of Work
 - a. Facility Engineering Orientation

3.2 MEASUREMENT PROCEDURES:

- A. The Contractor shall
 - 1. Coordinate supports, adjacent construction, and fixture locations to ensure actual dimensions correspond to established dimensions.
 - 2. Verify dimensions in areas of installation by field measurements before fabrication and indicate measurements and scale on shop drawings.
 - 3. Coordinate fabrication schedule with construction progress to avoid delaying the work.
 - 4. Where field measurements cannot be made without delaying the work, establish dimensions and coordinate with the General Contractor.
 - 5. When approved, proceed with fabricating units without field measurements.

3.3 CHANGES

- A. ALTERNATES:
 - 1. If an alternate material is proposed that is equal to or exceeds specified requirements, Contractor shall provide manufacturers' specifications in writing for Owner approval prior to purchase and installation.
 - 2. Substitutions of material by the Contractor shall be in writing complete with written manufacturers' specifications. The material substituted shall not void, alter or change manufacturers' structured cabling system warranty.
 - 3. Contractor shall:
 - a. Provide a complete cabling infrastructure according to these written specifications and drawings. If the Owner changes the scope of work to be performed by the Contractor, it shall be in writing.
 - b. Promptly respond to these changes with a complete material list, including pricing, and labor in writing presented to the Owner for approval. Also include unit pricing.
 - c. Do not proceed with any additional scope of work without a signed approval by the Owner.
 - 4. Owner will not pay for additional work performed by the Contractor without signed approval of these changes. Contractor will submit a copy of signed change order upon billing.
 - 5. The Owner's Infrastructure Cable team will be the final judge of acceptability, with review by Owner's Representative and the distribution of the acceptance by the Architect. No substitute shall be ordered, installed or utilized without the

Architect's prior written verification of acceptance from the Owner's Infrastructure Cable team.

B. SUBSTITUTION PROCEDURES

1. Substitution may be considered when a product becomes unavailable through no fault of the Contractor.
2. Document each request with complete data substantiating compliance of proposed substitution with Contract Documents. Include in each request for substitution:
 - a. Product identification, manufacturer's name and address.
 - b. Product Data: Description, performance and test data, reference standards, finishes and colors.
 - c. Samples: Finishes
 - d. Complete and accurate drawings indicating construction revisions required (if any) to accommodate substitutions.
 - e. Data relating to changes required in construction schedule.
 - f. Cost comparison between specified and proposed substitution.
3. Substitutions will not be considered when they are indicated or implied on shop drawing or product data submittals, without separate written request, or when acceptance will require revision to the Contract Documents.
4. The Owner will be the final judge of acceptability, with review by Owner's Representative and the distribution of the acceptance by the Architect.
5. No substitute shall be ordered, installed or utilized without the Architect's prior written verification of acceptance from the Owner's Infrastructure Cable team.

PART 4 - EXECUTION**4.1 QUALITY ASSURANCE****A. Regulatory Requirements:**

1. Contractor shall supply all city, county, and state telecommunication cabling permits required by appropriate governing agency.
2. Prior to commencing work, the Contractor and staff shall secure all required Intermountain Healthcare permits including, but not limited to; facility sign in, ceiling work permits, hot work permits, and confined space permits.
3. Contractor shall be city, county, and state-licensed and/or bonded as required for communications/low voltage cabling systems work.

B. Certifications:

1. Contractor shall submit an up-to-date and valid certification verifying qualifications of the Contractor and installers to perform the work specified herein at time of bid submission.
2. Contractor shall have a complete working knowledge of low voltage cabling applications such as, but not limited to data, voice and video network systems.
3. Contracting firm shall have installed similar-sized systems in at least ten (10) other projects in the last five years prior to this bid and be regularly engaged in the business of installation of the types of systems specified in this document. Certification shall include, but not be limited to, items such as name and location of project contacts and numbers, total square footage, total number of cables/drops, types of media, etc.
4. Contractor shall provide certificates for the appropriate insurance coverage as defined in contract documents.
5. All installer personnel that will be assigned to this project shall be listed in a qualification document. 50% of the personnel working on the job site shall have a minimum of 3 years' experience in the installation of the types of systems, equipment, and cables specified in this document. Any personnel substitutions shall be noted in writing to Owner's Data Center Operations Infrastructure

Cabling representative prior to commencement of work.

6. BICSI ITS Cabling Installation Program Installer Level 1 or 2 or Technician certifications may be substituted in lieu of the 3-year requirement. All cabling

- installers shall be trained and certified by the cable manufacturer for communication cabling installations and maintenance of said materials.
7. Refer also to General Conditions.
- C. Administrative Requirements and Coordination:
1. The Contractor shall:
 - a. Ensure that all technicians performing work have obtain badge access 48 hours prior to scheduled start.
 - b. Provide a specified contact person (name and contact number) for coordination to attend project meetings with the communication consultant, the Owner and others.
 - c. Coordinate work of this section with Owner's system specifications, workstations, equipment suppliers, and installers.
 - d. Coordinate installation work with other crafts (examples include ceiling grid contractors, HVAC and sheet metal contractors, etc.) under the direction of the General Contractor to resolve procedures and installation placement for cable trays and cable bundle pathways. The goal of this coordination will be to establish priority pathways for critical data/voice network cable infrastructure, materials, associated hardware, as well as mitigate delays to the project and to allow service access for communications and HVAC components. Damage by Contractor to the craftwork of others will be remediated at the Contractor's expense in a timely manner.
 - e. Exchange information and agree on details of equipment arrangements and installation interfaces. Record agreements reached in meetings and distribute record to other participants, Owner and communication consultant.
 - f. Arrangement, layout, and locations of distribution frames, patch panels, and cross-connect blocks in equipment rooms and racks to accommodate and optimize arrangement and space requirements of any service provider equipment, telephone system, and LAN equipment as directed by Data Center Operations. Tasks shall be coordinated with the Owner's Data Center Operations team, and other trades' installation representatives.
 - g. Where installed, confirm exact locations and method of mounting outlets in modular furniture. Follow furniture manufacturers' written instructions for installing cable and devices in modular partitions. Obtain modular furniture and power pole locations from the General Contractor. Wiring locations noted in plans along walls for modular furniture are approximate and will have to be determined by Contractor at time of installation. Field condition adjustments for installation may have to be made and coordination efforts with the mechanical and electrical contractor for pathway must take place early in the project to comply with maximum 40% conduit fill factor requirements.
 - h. When requested by Owner or Owner's representative, furnish extra materials that match specified products and that are factory packaged with protective covering for storage and identified with labels describing contents. Unit pricing shall apply.
- D. Contract Administration:
1. Change orders shall be submitted to the Owner/Project Manager complete with price breakdown and description for approval before any work is done.
 2. Owner's Data Center Operations Representative will provide job field reports upon inspection of Contractor's installation, materials, supporting hardware, coordination with other trades and progress to schedule to the Owner's project manager.
 3. Job Field Report outline:

- a. General installation progress in relation to scheduled work made by the Contractor up to that date.
 - b. All deficiencies noted in the cable installation to be corrected by the Contractor.
- E. Pre-Installation Meetings - Contractor shall:
 - 1. Attend and/or arrange a scheduled pre-installation conference prior to beginning any work of this section.
 - a. Agenda: This venue is to ask and clarify questions in writing related to work to be performed, scheduling, coordination, etc. with consultant and/or project manager/and Data Center Operations Infrastructure Cabling representative.
 - b. Attendance: Communications project manager/supervisor shall attend meetings arranged by General Contractor, Owner's Data Center Operations Infrastructure Cabling representatives, and other parties affected by work of this document.
 - c. All individuals who will be installers of communication cables and equipment in an on-site supervisory capacity shall be required to attend the pre-installation conference. Individuals who do not attend the conference will not be permitted to supervise the installation of, or install, terminate, or test communications cables on the project. This includes supervisors, project managers, and lead installers of this project.
- F. Request for Change (RFC)
 - 1. A Request for Change shall be opened and approved by the Change Approval Board prior to any modifications, attachments, or other activities that may affect production systems.
 - a. Policy and details available through the Data Center Operations Infrastructure Cable Representative.
- G. Post-Installation Meetings:
 - 1. Schedule Div. 27 Final Inspection
 - 2. At the time of substantial completion, or shortly thereafter, the low voltage Sub-Contractor shall call and arrange for a post-installation meeting to present and review all submittal documents to include, but not limited to as-built drawings, test reports, warranty documentation, etc. Attendees shall be Owner staff, Owner's Representative, General Contractor, and others that the General Contractor deems appropriate.
 - 3. At this meeting the Contractor shall present and explain all documentation, including test results, and ask for feedback on its completeness. Any discrepancies or deviations noted by and agreed to by participants shall be remedied by Contractor and resubmitted within one week of meeting.

4.2 DELIVERY, STORAGE, AND HANDLING:

- A. Coordination with delivery companies, drivers, site address, and contact person(s) will be the responsibility of the Contractor.
- B. Contractor Shall:
 - 1. Be responsible for prompt material deliveries to meet contracted completion date.
 - 2. Coordinate deliveries and submittals with the General Contractor to ensure a timely installation.
 - 3. No equipment materials shall be delivered to the job site more than three weeks prior to the commencement of its installation.
 - 4. Equipment shall be delivered in original packages with labels intact and identification clearly marked.
 - 5. Materials shall not be damaged in any way and shall comply with manufacturer's operating specifications.

6. Equipment and components shall be protected from the weather, humidity, temperature variations, dirt, dust, or other contaminants. Equipment damaged prior to system acceptance shall be replaced at no cost to the Owner.
 7. Material Contractor shall be responsible for all handling and control of equipment.
 8. Material Contractor is liable for any material loss due to delivery and storage problems.
- C. Owner/General Contractor shall supply a list of security requirements for Contractor to follow.

4.3 PROJECT/SITE CONDITIONS

- A. For all environmental recommendations, refer to master Architectural section.
- B. For all security recommendations, refer to related Division 01.
- C. After completing system installation, including outlet fittings and devices, inspect exposed finish. Contractor will remove burrs, dirt, and construction debris. If applicable, the Contractor will repair damaged finishes, including chips, scratches, and abrasions.
- D. Contractor shall provide daily a clean work environment, free from trash/rubbish accumulated during and after cabling installation.
- E. Food and drink are not permitted in work areas. They shall be stored, prepared, and consumed only in designated break or cafeteria areas.
- F. Contractor shall keep all liquids (drinks, sodas, etc.) off finished floors, carpets, and tiles. If any liquid or other detriment (cuts, soils, stains, etc.) damages the above finishes, Contractor shall provide professional services to clean or repair scratched/soiled finishes, at Contractor's expense.

4.4 CLEANING

- A. Work areas will be kept in a broom clean condition throughout the duration of the installation process.
- B. Remove all unnecessary tools and equipment, unused materials, packing materials, and debris from each area where work has been performed daily, unless designated for storage.
- C. The Contractor will damp clean all surfaces prior to final acceptance by Owner.

END OF SECTION

SECTION 270100**OPERATION AND MAINTENANCE OF
COMMUNICATIONS SYSTEMS****PART 1 - GENERAL****1.1 INTRODUCTION**

- A. To make the approval of such a large topic possible, the structured cable topic has been broken into its subcomponents and each subcomponent was completed, reviewed, and approved in turn. The result is this comprehensive guideline that should provide adequate guidance on this topic.

PART 2 - PRODUCT**2.1 KEY POINTS**

- A. Category 6A shielded foil over unshielded twisted pair (F/UTP) is the only approved standard for cabling.
 - 1. Specifically, Siemon category CAT6A F/UTP (foil over unshielded twisted pair) cable and associated patch panels, wall plates and jacks; for data centers, and all clinical and hospital campus'.
 - 2. Only Siemon certified contractors or certified Intermountain Healthcare cable technicians will install structured cable at Intermountain Healthcare facilities.

2.2 IMPLEMENTATION

- A. This guide is to be used for New Construction and Remodels. These standards will be implemented over time in existing cabling environments as rework is performed.
- B. If there is a current need to connect servers at 10GBaseT and the only option is copper, CAT6A F/UTP is required. New Server connections shall be a minimum OS1 Single Mode Fiber.
- C. Installations already in place are not required to remove or replace existing cabling CAT5e or newer. All new cabling shall follow the recommendation to use CAT6A F/UTP cabling.

2.3 STANDARD PRODUCT

- A. The Approved cable type for horizontal cabling is CAT 6A F/UTP.
 - 1. The Approved Standard Manufacturer for Intermountain Healthcare's horizontal cabling is:
 - a. **Siemon Company USA**
101 Siemon Company Drive
Watertown, CT 06795
 - 2. Approved Suppliers of Siemon cable, patch panels, jacks, and parts are listed in Appendix 06:

PART 3 - EXECUTION**3.1 Horizontal Cabling**

- A. Horizontal Subsystem is the portion of the cabling system that extends from (and includes) the work area telecommunications outlet/connector to the Floor Distributor (FD)/Horizontal Cross-connect (HC) in the telecommunications room (TDR). It consists

of the communications outlet/connector, the horizontal cable, optional consolidation point,

and that portion of the cross-connect in the telecommunications room serving the horizontal cable. Each floor of a building should be served by its own Floor Distributor/Horizontal (FD/HC) Subsystem located in the telecommunications Room (TDR).

1. NOTE: Cable installers have rigorous requirements to be certified for Siemon cables and products. Validation of certification is required prior to accepting a bid.
 2. Current Siemon Approved/Certified Cable Installers for Siemon Network are listed in Appendix 07.
- B. Reliability of the horizontal cabling system is critical to the operation of IS equipment throughout a facility. Installing the cable is extremely labor intensive and there are several learned skills used to correctly install the cable. Cable installers are certified, and installers must demonstrate the ability to install the cable correctly to be certified. If the cable is installed by a certified installer and is installed in accordance with the manufacturer's guidelines, the manufacturer will warranty the cable installation.
- C. The manufacturer also requires the cables to be individually labeled and 100% tested and certified. Cable testing and certification equipment is usually expensive and is not commonly available at the facility or by many telecom installers. Certified Installer companies are required by the manufacturer to be knowledgeable in the use of "Qualified" Field Testing equipment and provide test results for warranty registration.
1. Contractor is to verify with the manufacturer the current "Qualified" tester manufacturers and the current operating software.
 2. Contractors will provide test results in the operating software format (not PDF, text or Word) to Intermountain Healthcare upon completion.
- D. Much of the cable is installed in walls and in the ceiling and usually lasts the lifespan of the building. As with most technology, the lifespan of cable is its usability and applicability to its use on future computing technology.

END OF SECTION

SECTION 270113

WARRANTY, PRODUCT AND SYSTEM

PART 1 - GENERAL

1.1 RELATED DOCUMENTS

- A. Drawings and general provisions of the Contract, including General and Supplementary Conditions and Division 01 Specification Sections, apply to this Section.
- B. Specifications throughout all Divisions of the Project Manual are directly applicable to this Section, and this Section is directly applicable to them, including but not limited to the listing found in Section 27 00 00.

PART 2 - PRODUCTS

2.1 STANDARD WARRANTY

- A. Contractor shall provide a minimum one (1) year warranty on installation and workmanship PLUS an Extended Product Warranty and System Assurance Warranty for this wiring system and shall commit to make available local support for the product and system during the Warranty period.
- B. System Certification: Upon successful completion of the installation and subsequent inspection, the customer shall be provided with a Manufacture Warranty certificate.
- C. Either a permanent link or channel model configuration may be applied to the horizontal and/or backbone sub-systems of the structured cabling system. Applications assurance is only applied to a channel model configuration. All channels are to be qualified for linear transmission performance up to 500 MHz to ensure that high-frequency voltage phase and magnitude contributions do not prove cumulative or adversely affect channel performance.

2.2 EXTENDED WARRANTY

- A. The manufacturer of passive telecommunications equipment used in a manner not associated with the Systems Warranty must have a minimum five (5) year Component Warranty on all its product. The Products Warranty covers the components against defects in material or workmanship under normal and proper use.
 - 1. Special Project Warranty: A full end-to-end written warranty mutually executed by manufacturer and the principal Installer, agreeing to replace and install voice/data distribution system components that fail in materials or workmanship, or do not meet manufacturer's official published specifications and performance criteria within the special Project warranty period specified below. This shall cover applications assurance, cable, and connecting hardware including both labor and materials. This warranty shall be in addition to, and not a limitation of, other rights and remedies the Owner may have against the Contractor under the Contract Documents.
- B. A twenty (20) year warranty available for the Category 6A Z-MAX copper structured cabling system shall be provided for an end-to-end channel model installation which covers applications assurance, cable, connecting hardware and the labor cost for the repair or replacement thereof. The fiber warranty will be an XGLO twenty (20) year warranty, which is based on using laser optimized single mode fiber as minimum.
 - 1. Performance claims based on worst case testing and channel configurations.
 - 2. Special Project Warranty Period: 20 years minimum, beginning on the date of Substantial Completion.
 - 3. Siemon Certified Warranty Requirements:

- a. Upon Completion of the project, Intermountain Healthcare must receive the Full Warranty Documentation from The Siemon Company before final retention funds are released to the general contractor, electrical contractor and structured cabling subcontractor if applicable.

2.3 MAINTENANCE

- A. Support Availability: The Contractor shall commit to make available local support for the product and system during the Warranty or Extended Warranty period.

END OF SECTION

SECTION 270119

FIELD TESTING AND REPORTING

PART 1 - GENERAL

1.1 RELATED DOCUMENTS

- A. Drawings and general provisions of the Contract, including General and Supplementary Conditions and Division 01 Specification Sections, apply to this Section.
- B. Specifications throughout all Divisions of the Project Manual are directly applicable to this Section, and this Section is directly applicable to them, including but not limited to the listing found in Section 27 00 00.

1.2 SYSTEM DESCRIPTION

- A. Owner reserves the right to be present during any or all testing.
- B. The objective of this project is to provide a complete communications cabling infrastructure system installation including, but not limited to: fiber backbone, riser system, horizontal data and voice cabling with associated terminations, mounting equipment, cable pathway and management systems, testing and other items/materials, as specified in drawings, these specifications, and contract documents.
- C. The Contractor's BICSI Registered Communications Distribution Designer (RCDD) supervisor shall review, approve and stamp all documents prior to submitting. The Contractor's RCDD shall warrant in writing that 100% of the installation meets the requirements specified herein upon completion of all work.
- D. Product Certificates shall be signed by manufacturers of cables, connectors, and terminal equipment certifying that products furnished comply with requirements.
- E. Contractor shall submit the required Field Test Reports in the format and media specified, upon completion of testing the installed system.
- F. Contractor shall deliver manufacturer's signed long-term Warranty of installed cabling system to include all components that comprise the complete cabling system. Delivery to be affected within two weeks of the time of final punch list review. Failure of any component to pass system component tests shall be promptly corrected, repaired or replaced to meet standards compliance.

1.3 PREFERRED OWNER INSPECTION & TEST CHECKPOINTS

- A. DCO & ICT Inspection Milestones & Responsibilities need to be coordinated into master project plan to allow the GC to make timely arrangements. All are per floor and/or phase.
 - 1. ICT & DCO = Framing, during and/or after boxes & conduits are in place; prior to sheetrock.
 - 2. ICT = When cable basket is starting to be installed.
 - 3. ICT = When cable basket is ready, but prior to starting to pull cable.
 - 4. ICT & DCO = When TDR's are ready for racks and ladders.
 - 5. DCO = When anchoring racks and laying out equipment.
 - 6. ICT & DCO = When TDR environmental requirements are ready, room is dust free, and securable.
 - a. The TEC and TDRs must be high on the build timeline and be completed early in the construction to accommodate the building systems to be tested and commissioned, such as BAS, Security, and Wireless Network.
 - 7. ICT = When trim and testing are in progress.
 - 8. OTHERS
 - a. Depending on project, the manufacturer will inspect 1 or 2 times.
 - b. DCO or ICT = When problems or questions arise.

PART 2 - PRODUCTS

2.1 SITE TESTS & INSPECTIONS

- A. Prior to pulling cable, the cabling contractor shall schedule an inspection of the pathways with a member of the Data Center Operations Infrastructure cabling team.
- B. Upon completion of the communications infrastructure systems, including all pathways and grounding, the Contractor shall test the system.
 - 1. Cables and termination modules shall be affixed, mounted or installed to the designed/specified permanent location prior to testing.
 - 2. Any removal and reinstallation of any component in a circuit, including faceplates, shall require retesting of that circuit and any other disturbed or affected circuits.
 - 3. Approved instruments, apparatus, services, and qualified personnel shall be utilized.
 - 4. If tests fail, Contractor shall correct as required to produce a legitimate passing test.
 - 5. Manipulation of tester parameters on a failing test in order to achieve a passing test is unacceptable.
- C. These specifications will be strictly enforced. The Contractor must verify that the requirements of the specifications are fully met through testing with an approved tester (rated for testing the cable type in use), and documentation as specified below. This includes confirmation of requirements by demonstration, testing and inspection. Demonstration shall be provided at final walk-through in soft copy.
- D. Notification of the likelihood of a cable exceeding standardized lengths must be made prior to installation of the cable. Without contractor's prior written notice and written approval by the Owner, testing that shows some or all pairs of cable not meeting specifications, shall be replaced at Contractor's expense (including respective connectors).
- E. Testing is still required for non-compliant cabling. The tests shall be for wire-mapping, opens, cable-pair shorts, and shorts-to-ground. The test results must be within acceptable tolerances and shall be submitted with the Owner's acceptance document.

2.2 CABLE TESTING PLAN

- A. The Contractor shall:
 - 1. Provide a complete and detailed test plan for approval of the cabling system specified herein, including a complete list of test equipment for copper and fiber optic components and accessories prior to beginning cable testing. The following minimal items shall be submitted for review:
 - a. All testing methods that clearly describes procedures and methods.
 - b. Product data for test equipment
 - c. Certifications and qualifications of all persons conducting the testing.
 - d. Calibration certificates indicating that equipment calibration meets National Institute of Standards and Technology (NIST) standards and has been calibrated at least once in the previous year of the testing date.
 - 2. Include validation, and testing. Owner will require that the telecommunications cabling system installed by the Contractor be fully certified to meet all necessary requirements to be compliant with referenced IEEE and TIA specifications and vendor's warranty.
 - 3. Will determine the source/cause of test failure readings and correct malfunctioning component and/or workmanship within each channel or permanent link and retest to demonstrate compliance until corrected failure produces a passing result.

2.3 CABLE TESTING REPORTS

- A. The Contractor shall submit cable test reports as follows:

1. Submit certified test reports of Contractor-performed tests.
 - a. The tests shall clearly demonstrate that the media and its components fully comply with the requirements specified herein.
 - b. (1) set of electronic test reports shall be submitted and clearly identified with cable identification.

PART 3 - EXECUTION

3.1 TEST EQUIPMENT

- A. All transmission testing of balanced twisted-pair cables shall be performed with an approved Level III balance twisted pair tester found on the Siemon Ally Website. The latest version of software shall be installed prior to performing testing. Refer to the Siemon Warranty Documents for proper testing requirements of associated cable and components.
- B. All balanced twisted-pair field testers shall be factory calibrated each calendar year by the field test equipment manufacturer as stipulated by the manuals provided with the field test unit. The calibration certificate shall be provided for review prior to the start of testing
- C. Auto test settings provided in the field tester for testing the installed cabling shall be set to the default parameters
- D. Test settings selected from options provided in the field testers shall be compatible with the installed cable under test.

3.2 TEST METHOD / CRITERIA

- A. Copper Testing
 1. Testing of all newly installed cable channels shall be performed prior to system cutover.
 - a. Visually inspect F/UTP and optical fiber cable jacket materials for NRTL certification markings. Inspect cabling terminations in communications equipment rooms for compliance with color-coding for pin assignments and inspect cabling connections for compliance with TIA/EIA-568-C.1.
 - b. Visually confirm Category 6A marking of outlets, cover plates, outlet/connectors, and patch panels.
 - c. Visually inspect cable placement, cable termination, grounding and bonding, equipment and patch cords, and labeling of all components.
 - d. Test F/UTP copper cabling for DC loop resistance, shorts, opens, intermittent faults, and polarity between conductors. Test operation of shorting bars in connection blocks. Test cables after termination but not cross-connection.
 - e. Test instruments shall meet or exceed applicable requirements in TIA/EIA-568-C, and those required by manufacturer to validate and start warranty.
 2. Copper Testing all 500 MHz category 6A field-testing shall be performed with an approved level 111e balanced twisted-pair field test device, that complies with performance requirements in "Test Instruments (Normative)" Annex, complying with measurement accuracy specified in "Measurement Accuracy (Informative)" Annex (Level IIe or IIIe balanced twisted pair field test device). Use only test cords and adapters that are qualified by test equipment manufacturer for channel or link test configuration.
 3. All installed 500 MHz category 6A channels shall perform equal to or better than the minimum requirements as specified below:
 - a. Category 3, balanced twisted-pair backbone cables, for the channel shall be 100 percent tested according to ANSI/TIA/EIA-568-C.1. Test parameters include wire map plus F/UTP (ScTP) shield continuity (when present), insertion loss, length and NEXT loss (pair-to-pair). NEXT testing shall be done in both directions.

- b. 500 MHZ Category 6A balanced twisted-pair horizontal and backbone cables, shall be 100 percent tested.
 4. F/UTP Performance Tests
 - a. Wire map.
 - b. Length (physical vs. electrical, and length requirements)
 - c. Insertion loss
 - d. Near-end crosstalk (NEXT) loss
 - e. Power sum near-end crosstalk (PSNEXT) loss
 - f. Equal-level far-end crosstalk (ELFEXT)
 - g. Power sum equal-level far-end crosstalk (PSELFEXT)
 - h. Return loss
 - i. Propagation delay
 - j. Delay skew
 - k. F/UTP Shield continuity
 5. Final Verification Tests: Perform verification tests for F/UTP systems after the complete communications cabling and workstation outlet/connectors are installed.
 6. Document data for each measurement. Data for submittals shall be printed in a summary report.
 7. End-to-end cabling will be considered defective if it does not pass tests and inspections.
 8. Prepare and submit test and inspection reports.
 - B. Horizontal Fiber Testing
 1. Fiber horizontal cables shall be 100% tested for insertion loss and length.
 2. Insertion loss shall be tested at 850 nm or 1300 nm for 50/125 μ m and 62.5/125 μ m multimode cabling in at least one direction using the Method B (1-jumper) test procedure as specified in ANSI/TIA/EIA-526-14A.
 3. Length shall be tested using an OTDR, optical length test measurement device or sequential cable measurement markings.
 4. The horizontal link performance guarantees are based on an optical fiber calculation for the appropriate fiber solution. Optical fiber calculations shall be determined using the Siemon Fiber Loss Calculator found on the Siemon Ally Website.
 - C. Backbone Fiber Testing
 1. Fiber backbone cables shall be 100% tested for insertion loss.
 2. Insertion loss shall be tested at both 850 nm and 1300 nm for 50/125 μ m and 62.5/125 μ m multimode cabling and both 1310 nm and 1550 nm for 8.5/125 μ m single mode cabling and in at least one direction using the Method B (1-jumper) test procedure as specified in ANSI/TIA/EIA-526-14A.
 3. Insertion loss shall be tested at 1310 and 1550 for single-mode cabling in at least one direction using the Method A.1 (1-jumper) test procedure as specified in ANSI/TIA/EIA-526-7.
 4. Length shall be tested using an OTDR, optical length test measurement device or sequential cable measurement markings.
 5. The backbone link performance guarantees are based on an optical fiber calculation for the appropriate fiber solution. Optical fiber calculations for any fiber cable greater than 90m (295 ft.) shall be determined using the Siemon Fiber Loss Calculator found on the Siemon Ally Website.

3.3 DEMONSTRATION

- A. Include training for appropriate IT staff in numbering system and documentation system methods and record keeping. Proper fiber terminations and fiber jumper installations.

END OF SECTION

SECTION 270133

SHOP DRAWINGS, PRODUCT DATA, SAMPLES
DESIGN RECORDS & EXISTING CONDITIONS

PART 1 - SHOP DRAWINGS, PRODUCT DATA, AND SAMPLES

1.1 SUBMITTALS

- A. The Contractor:
 - 1. Shall not perform any portion of the work requiring submittal and review of shop drawings, product data, or samples until Owner has approved the respective submittal. Such work shall be in accordance with approved submittals.
 - a. Shop drawings as required by the owner or as a minimum to include a minimum of two sets of a plan view and elevations of all work to be installed. The Contractor shall make any corrections required by the owner or the owner's representative or consultant team, file with him two corrected copies and furnish such other copies as may be needed. The consultant's approval of such drawings or schedules shall not relieve the Contractor from responsibility for deviations from drawings or specifications, unless he has in writing and called to the Architect's attention such deviations at the time of submission, nor shall it relieve him from responsibility for errors of any sort in shop drawings or schedules.
- B. The Contractor shall provide a copy of the Certified Test Data Sheet, available from the delivering distribution warehouse for either a full run or cut piece from the Master Reel of the fiber cable to be installed
 - 1. The Certified Test Data Sheet shall include the Master Reel number, cable description, a passing test result with details, test equipment description, date certified, and a certificate of compliance stamp, and shall be included in the O&M Manual as a component of the final deliverables submittal package.

1.2 DRAWINGS

- A. Shop Drawings
 - 1. The Contractor shall:
 - a. Submit catalogue cut sheets that include manufacturer, trade name, and complete model number for each product specified. Model number shall be handwritten, marked with an arrow or underlined to indicate exact selection.
 - b. Identify applicable specification section reference for each product performance for each component specified for approval prior to purchase and installation.
- B. Record Drawings
 - 1. Drawings for the cabling system infrastructure elements shall be maintained and kept on file by the Siemon Certified Installer (Company) for the entire term of the warranty. Drawings shall include:
 - a. Horizontal cable routing and terminations
 - b. Telecommunications outlets/connectors
 - c. Backbone cable routing and terminations
 - d. Telecommunication Spaces (TS)
- C. Samples
 - 1. For workstation outlet connectors, jack assemblies, housing and faceplates for color selection and evaluation of technical specifications and requirements. Confirm with Architect, interior designer, and Owner representative for color before purchasing materials. Face plates shall match the electrical face plates in

2. Color and material type.
 2. Upon request, provide samples for workstation outlets, jacks, jack assemblies, in specified finish, one for each size and outlet configuration
 3. Sample mock-up rooms may be required in some areas to ensure proper equipment placement and fit.
- D. Qualifications:
1. The Contractor shall provide the appropriate documentation to comply with the requirements set forth in Section 01 43 23 Qualifications, included with, and at the time of, bid submittal.

PART 2 - SUSTAINABLE DESIGN RECORDS AND REPORTS

2.1 DRAWINGS

- A. Closeout Submittals (As-built Drawings):
1. Communications Design drawings are to be supplied to the Architect to prepare the master "As-Built" drawings.
 2. As-Built drawings shall be in a format that is compatible with the format used by the Architect and consultant. Dimensions and scale of the drawing sheets submitted shall match the size of the drawing used for the contract documents and shall include the cable numbers labeled in accordance with this document.
 3. Utilize normal recognized drafting procedures that match standards, Architect and consultant guidelines and methodology.
 4. The As-Built drawings shall incorporate all changes made to the building identified in, but not limited to, addendum, change notices, site instructions or deviations resulting from site conditions.
- B. Contractor shall:
1. Clearly identify any resubmitted drawing sheets, documents or cut sheets either by using a color to highlight or cloud around resubmitted information.
 2. Maintain drawing numbering or page/sheet scheme consistency as per previously issued drawings/documents.
 3. Provide dimensioned plan and elevation views of networking components, showing:
 - a. All communications data/voice outlet locations complete with outlet/cable labeling.
 - b. Cable routing paths of communications cables to identified infrastructure pathways.
 - c. All rack and cabinet locations and labeling thereof.
 - d. One-line diagram of equipment/device interconnecting data/voice cabling of the data and voice systems.
 - e. Standard or typical installation details of installations unique to Owner's requirements.
 - f. Graphic symbols and component identification on detail drawing shall conform to the latest ANSI/TIA 568-C, ANSI/TIA 569-B, ANSI/TIA 606-A and ANSI/NECA/BICSI 607-A conventions.
 4. Submit one soft (compatible with Microsoft software) and hard copy with project deliverables within three weeks subsequent to substantial completion.
 5. Hard copy of floor plans for record shall be plotted to a standard, saleable, identified drawing scale.

2.2 RECORDS AND REPORTS

- A. All records shall be created by the installation contractor and turned over at the completion of work.
1. The format shall be computer based
 - a. Soft copies and hard copies shall be part of the As-built package.
 - b. The minimum requirements include:

- 1) Cable records must contain the identifier, cable type, termination positions at both ends, splice information as well as any damaged pairs/conductors.
 - 2) Connecting hardware and connecting hardware position records must contain the identifier, type, damaged position numbers, and references to the cable identifier attached to it.
2. Test documentation on all cable types shall be included as part of the As-built package.
- B. All Siemon Warranty Registration documents shall be included.
 - C. All reports shall be generated from the computer-based program used to create the records above. These reports should include but not limited to:
 1. Cable Reports
 2. Cross-connect Reports
 3. Connecting Hardware Reports

PART 3 - EXISTING CONDITIONS SITE SURVEY

3.1 SITE SURVEY

- A. Prior to placing any cable pathways or cable, the contractor shall survey the site to determine job conditions will not impose any obstructions that would interfere with
- B. the safe and satisfactory placement of the cables. The arrangements to remove any obstructions with the Project Manager need to be determined at that time.

END OF SECTION

SECTION 270143

QUALIFICATIONS AND REQUIRED TRAINING
FOR CONTRACTORS AND INSTALLERS

PART 1 - GENERAL INSTALLER QUALIFICATIONS

1.1 ENTITIES

- A. Communications contractors
 - 1. The Communications Contractor shall at a minimum possess the following qualifications:
 - a. Contractor shall be a Siemon Certified Contractor with valid up to date contract certification and in good standing with the Siemon Company.
 - b. Be in business a minimum of five (5) years.
 - c. Contractor shall demonstrate satisfaction of sound financial condition and can be adequately bonded and insured if the project deems necessary.
 - d. Possess those licenses/permits required to perform telecommunications installations in the specified jurisdiction.
 - e. Use personnel knowledgeable in local, state, province and national codes and regulations. All work shall comply with the latest revision of the codes or regulations. When conflict exists between local or national codes or regulations, the most stringent codes or regulations shall be followed.
 - 2. Contractor must possess current liability and workers compensation insurance certificates.
 - 3. Contractor must be registered with BICSI and have at least one RCDD on staff or ITS Cabling Installer Program Technician certification and Installer Level 1 & 2 for a minimum of 75 percent of staff.

1.2 TRAINING

- A. The Contractor shall be fully conversant and capable in the cabling of low voltage applications such as, but not limited to data, voice and imaging network systems. The Contractor shall at a minimum possess the following qualifications:
 - 1. Personnel trained and certified in the design of the Siemon Cabling System®.
 - 2. Personnel trained and certified to install the Siemon Cabling System®.
 - 3. The Designer and Installer shall show proof of current certification of the Siemon Cabling System® via an updated certificate given after attending the Certified Installer training course or an on-line re-certification class given every two years.
 - 4. Provide references of the type of installation provided in this specification.
 - 5. Personnel trained and certified in the installation of copper cable and in the use of Level IIIe Copper Transmission Performance testers, fiber optic cabling, splicing, termination and testing techniques. Personnel must have experience using an optical light source and power meter plus an OTDR.
 - 6. Personnel trained in the installation of pathways and supports for housing horizontal and backbone cabling.
- B. Facilities Orientation

END OF SECTION

SECTION 270171

RESPONSIBILITY AND WORKMANSHIP
OF CONTRACTOR

PART 1 - GENERAL

1.1 CONTRACTOR RESPONSIBILITY

- A. Contractor shall be obligated to exercise the highest standard of care in performing its obligations as defined in a request for proposal. All work shall be done in a workman like fashion of the highest standards in the telecommunications industry.
- B. All equipment and materials are to be installed in a neat and secure manner, while cables are to be properly dressed in accordance with standards recommendation for a specific type of media (i.e. UTP vs. F/UTP @ 10 Gigabit)
- C. Workers must clean any debris and trash at the close of each job and workday.
- D. Contractor acknowledges that Intermountain Healthcare will rely on contractor's expertise, ability and knowledge of the system being proposed and shall be obligated to exercise the highest standard of care in performing contractual obligation as defined in the Scope of Work.
- E. Contractor must submit The Siemon warranty, Cable Records, As Built Drawings and Test Results at the completion of work. Note: Intermountain Healthcare reserves the right to withhold final payments until all registration documents are approved by the Siemon Company and received by Intermountain Healthcare.

1.2 CONTRACTOR AND EMPLOYEE RESPONSIBILITY

- A. Contractors, their employees, and installers will attend annually Intermountain Healthcare required Infection Control training.
- B. Contractors, their employees, and installers will complete Reprax registration.
- C. Contractors, their employees, and installers will attend Intermountain Healthcare required site and job specific orientation.
- D. Contractors, their employees, and installers will maintain Intermountain Healthcare required immunizations.
- E. Contractors, their employees, and installers will keep their Intermountain Healthcare required confidentiality agreements current.
- F. Contractors, their employees, and installers always agree to follow all Intermountain Healthcare Policies and procedures and wear the appropriate ID while on any of Intermountain properties.
- G. Contractor will determine with Owner the appropriate level of Environmental Containment precautions to utilize for each work location. Infection Control Risk Assessments and permits will be performed as required.
- H. Upon request, provide qualification data for all qualified layout technicians, installation supervisors, and field inspector
 - 1. Siemon issued qualification badges shall be readily available for this purpose.

1.3 EXAMINATION

- A. Field Measurements: Verify dimensions in areas of installation by field measurements before fabrication and indicate measurements on shop drawings. Coordinate fabrication schedule with construction progress to avoid delaying the work.
- B. Established Dimensions: Where field measurements cannot be made without delaying the work, establish dimensions and proceed with fabricating units without field

measurements. Coordinate supports, adjacent construction, and fixture locations to ensure actual dimensions correspond to established dimensions.

1.4 PREPARATION

- A. Pre-installation inspection
 - 1. The Contractor shall visually inspect all cables, cable reels, and shipping cartons to detect possible cable damage incurred during shipping and transport. Visibly damaged goods are not acceptable and shall be replaced by the contractor at no additional cost to the Owner.

1.5 MISCELLANEOUS CONTRACTOR RESPONSIBILITIES

- A. Contractor will maintain unobstructed egress in work areas.
- B. Contractor will keep an access for all Emergency Services.
- C. Contractor will maintain training for Personnel in alternate exits if needed.
- D. Contractor will maintain Temporary construction partitions, as required, that are smoke tight and built of non-combustible materials.
- E. Additional Fire Extinguishers may be required and will be properly maintained and inspected.
- F. Construction site will be maintained clean and orderly.
- G. Contractor will observe Intermountain Healthcare's Tobacco Use Policy. (All forms of tobacco use are strictly prohibited)
- H. All Electrical Extension cords will be grounded, and in good condition and, plugged into approved GFI Receptacles.
- I. Construction site will be restricted. (Approved personnel Only)
- J. Required Personal Protective Equipment (PPE) will be worn as required. (i.e. hard hats, safety glasses, safety shoes, fluorescent vest, in accordance with general contractor's safety policy)
- K. Tools will be unplugged, and power secured at the end of each working day.
- L. All employees and contractors will understand how to obtain MSDS sheets.
- M. Contractor will notify proper personnel of any fire system shut down. A 48-hour notification is required.
- N. Contractor will address all vibration concerns with Intermountain Healthcare and general contractor's staff.
- O. Contractor will address all Noise Issues with Intermountain Healthcare and general contractor's staff.
- P. Contractor will fill out a Hot Work permit and keep it on site daily as needed.
- Q. Contractor will fill out an Above Ceiling Work Permit and keep it on site daily as needed.
- R. Contractor will obtain a Confined Space Permit, when required, and keep it on site.
- S. Contractor shall notify Information Systems 72 hours in advance of any shutdown or known interruption of required environmental services. Follow up by notifying the Service Desk.
- T. Demolition of low voltage cabling shall be performed by the Low Voltage installation contractor.
 - 1. To prevent accidental removal of in-use circuits.
 - 2. To allow for re-use of circuits where practical.

END OF SECTION

SECTION 270500

COMMON WORK RESULTS
FOR COMMUNICATIONS

PART 1 - PRODUCT

1.1 SUMMARY

- A. This section covers general work results for all Communications Division detail subsections.
- B. Work of the following sections cover a complete installation of both permanent and channel links for a data and voice communications network utilizing copper and fiber transmission media.

PART 2 - EXECUTION

2.1 SCOPE OF WORK

- A. Includes, but is not limited to the following.
 - 1. The Contractor shall:
 - a. Provide and install fabric and/or either plenum, PE or PVC Innerduct, rated appropriately for the installation environment; in accordance with all applicable codes and ordinances.
 - b. Provide, install, terminate, test, label and document all fiber backbone, fiber and copper riser cable.
 - c. Provide, install, terminate, test, and document all fiber, copper voice, and data horizontal cable.
 - 1) CAT6A UTP and CAT6A F/UTP shall not be mixed on the same campus.
 - d. Provide and place all termination devices such as, but not limited to, modular patch panels, termination blocks, information outlets (jacks and plates), phone jacks, fiber distribution panels, bulkheads, connectors, and fiber fan out kits.
 - e. Provide in quantities specified interconnect components such as, but not limited to, copper patch cords, fiber patch cables and data station cables.
 - f. Provide and place horizontal and vertical cable support devices such as, but not limited to, rack and wall-mounted horizontal and vertical cable management, cable runway, communications cable runway, and all required mounting hardware, unless otherwise noted.
 - g. Provide and install all equipment mounting racks, cabinets and/or brackets.
 - h. Provide and install UL-approved fire stopping systems in all communication pass-thru, conduits, cable trays and ceiling, wall and floor penetrations in coordination with General Contractor.
 - i. Provide all appropriate consumable items required to complete the installation.
 - j. Grounding and bonding in TEC and TR rooms to grounding bus provided by Division 26.
 - k. Provide complete documentation and demonstration of work.
 - l. Completion of all punch list deficiencies within 10 working days.
 - m. Provide indexed and organized complete Test Results of all copper and fiber cable and their components.
 - n. Provide Submittals.

- o. Conduct a final document handover meeting with client, consultant, and PM to review, discuss and educate the Owner on the test results and As-Built Drawings.
- p. Provide a Manufacturer's Extended Product Warranty and System Assurance Warranty for this wiring system.

END OF SECTION

SECTION 270526

GROUNDING AND BONDING FOR
COMMUNICATIONS SYSTEMS

PART 1 - GENERAL

1.1 RELATED DOCUMENTS

- A. This work shall be provided by Division 26.
 - 1. Division 26 shall provide and install the communications system grounding bus bar.
 - 2. Systems other than the voice/data system shall be bonded by their respective installers or Division 26.
- B. Exception: Division 27 shall bond racks, ladders, and other conductive IT equipment and enclosures as required.
- C. Requirements of the following Division 26 Sections apply to this section:
 - 1. Basic Electrical Requirements
 - 2. Basic Electrical Materials and Methods
 - 3. Grounding and Bonding for Electrical Systems

1.2 SUMMARY

- A. This Section includes methods and materials for grounding and bonding Communications systems.
- B. All grounding / earthing and bonding shall be done to applicable codes and regulations. It is recommended that the requirements of IEC/TR 61000-5-2: 1.0, ANSI-J-STD-607-A, or both be observed throughout the entire cabling system.

PART 2 - PRODUCTS

2.1 CONDUCTORS

- A. Insulated Conductors: Copper wire or cable insulated for 600 V unless otherwise required by applicable Code or authorities having jurisdiction.
 - 1. Stranded conductors No. 6 AWG.

2.2 CONNECTORS

- A. Listed and labeled by a nationally recognized testing laboratory acceptable to authorities having jurisdiction for applications in which used, and for specific types, sizes, and combinations of conductors and other items connected.
- B. Compression fitting – 2-hole strap.

PART 3 - EXECUTION

3.1 QUALITY ASSURANCE

- A. Electrical Components, Devices, and Accessories: Listed and labeled as defined in NFPA 70 (NEC), Article 100, by a testing agency acceptable to authorities having jurisdiction, and marked for intended use.
- B. Comply with UL 467 for grounding and bonding materials and equipment.

3.2 APPLICATIONS

- A. Conductors: Install stranded conductors for No. 6 AWG and larger, unless otherwise indicated.

3.3 INSTALLATION

- A. Grounding Conductors
 - 1. Route along shortest and straightest paths possible, unless otherwise indicated or required by Code.
 - 2. Avoid obstructing access or placing conductors where they may be subjected to strain, impact, or damage.
 - a. Jumper across all tray junctions use two-hole crimp lugs with a bolt, lock washer and nut to prevent loosening of ground connections over time.
 - b. Contractor to remove small area of powder coat or paint to create a metal to metal bonding connection.
 - c. Per current BICSI TDMM "Grounding, Bonding and Electrical Protection":
 - 1) Grounding and bonding connectors should be one of the following: Tin plated copper, copper or copper alloy
 - 2) Connections should be made using crimp connectors, or exothermic welding.
 - d. Per TIA/EIA 607-A the TBB (Telecommunications Bonding Backbone) connections "shall be made using irreversible compression-type connectors, exothermic welding or equivalent."

END OF SECTION

SECTION 270528

PATHWAYS FOR COMMUNICATIONS SYSTEMS

PART 1 - GENERAL

1.1 RELATED DOCUMENTS

- A. Main pathways for communications systems shall be the responsibility of the Division 27 low voltage contract.
 - 1. Includes, but is not limited to, hangars, supports, J-hooks and cable tray.
 - 2. Sections 270536, 270539, and 270543_46, are supplemental clarifications that are additions to this section. The appropriate section(s) shall add for the material used.
- B. Conduits, pathways, and boxes which are embedded within building finishes for communications systems shall be the responsibility of the Division 26 electrical contractor
- C. Requirements of the following Division 26 sections apply to this section
 - 1. Basic electrical requirements
 - 2. Basic electrical materials and methods
 - 3. Grounding, earthing, and bonding for electrical systems

1.2 SUMMARY

- A. Contractor shall install work following specifications, drawings, manufacturer's instructions and approved submittal data.

PART 2 - PRODUCTS

2.1 CABLE PATHWAYS

- A. Comply with TIA/EIA-569-B.
- B. Pathways shall be designed and installed to meet applicable local and national building and electrical codes or regulations.
 - 1. All materials shall be UL- and/or CSA and/or ETL-approved and labeled in accordance with NEC for all products where labeling service normally applies.
 - 2. NRTL labeled for support of Category 6A cabling, designed to prevent degradation of cable performance and pinch points that could damage cable
 - 3. Materials and equipment requiring UL 94, 149 or 1863 listing shall be so labeled. Modification of products that nullifies UL labels are not permitted.
 - 4. The installed systems shall not generate, nor be susceptible to any harmful electromagnetic emission, radiation, or induction that degrades, or obstructs any equipment.
- C. Pathways consist of conduit, basket tray/ladder rack, J-hooks, surface mounted raceway and power poles.
 - 1. Basket tray shall be utilized for distribution pathways
 - a. Provides proper support and load distribution along pathways.
 - b. Flexibility, scalability, and accessibility
 - c. Ladder rack shall be used in data rooms.
 - 2. Conduits may be utilized where cable tray is not viable, providing the cross-sectional area of the conduit is greater than the cross-sectional area of the cable tray.
 - 3. J-hooks are the minimum pathway device required for all low voltage contractors for use in ceiling distribution.
 - a. Refer to section 270529.
 - 4. Note: Surface mounted raceway and power poles should be installed only when

other pathway choices are not feasible.

2.2 EQUIPMENT

- A. Compatibility
 - 1. All material and equipment as provided should be the standard Commercial-Off-The-Shelf (COTS) products of a manufacturer engaged in the manufacturing of such products. All shall be typical commercial designs that comply with the requirements specified. All material and equipment shall be readily available through manufacturers and/or distributors.
 - a. All equipment shall be standard catalogued items of the manufacturer and shall be supplied complete with any optional items required for proper installation.
 - b. Coordinate the features of materials and equipment so they form an integrated system. Match components and interconnections for optimum future performance and backward compatibility
- B. Horizontal cables shall be installed in "clean, dry" locations that provide protection from moisture levels above the intended operating range of inside plant (ISP) cables
 - 1. Cable pathways shall be installed to provide protection from the elements (i.e. moisture) and other hazards.
 - 2. Cables and cable pathways shall be protected from detritus elements such as paints, adhesives, water and cleaners.
 - a. In case of contamination, cables shall be replaced at the General Contractors expense. Cleaning is not acceptable.
 - 3. Pathways shall not have exposed sharp edges that may come into contact with telecommunications cables.
- C. Pathways shall not be in elevator shafts.
- D. Grounding / Earthing and bonding of pathways shall comply with applicable codes and regulations. It is recommended that the requirements of IEC/TR3 61000-5-2 - Ed. 1.0, ANSI-J-STD-607-B, or both be observed throughout the entire cabling system.

2.3 SURFACE MOUNTING

- A. Surface Mount Cable Runs and Faceplate Boxes
 - 1. Surface mounting of cable pathway runs and/or boxes for outlets/faceplates are only authorized as a last resort and exception to running cables through the wall and above the ceiling.
 - 2. If surface mount cable runs are used:
 - a. Burrs will be removed from the inside of the plastic or metal surface mount pathway to prevent damage to cables pulled through the run.
 - b. Raceway manufacturer plastic bushings shall be installed at all outlet openings in raceway to prevent damage to cable.
 - c. "T", Splice, and corner pieces will be used to join runs. Runs will not be butted together without the appropriate joining pieces.

PART 3 - EXECUTION

3.1 HORIZONTAL PARAMETERS

- A. Allowable Cable Bend Radius and Pull Tension:
 - 1. In general, communications cable cannot tolerate sharp bends or excessive pull tension during installation.
 - a. Bend radius for 4 pair UTP and F/UTP under no load (no pulling tension) shall not exceed four (4) times the outside diameter of the cable and eight (8) times the outside diameter of the cable under load (110N/25lbf). Note: Cable bend radius and pulling tensions for cables other than 4 pair cable increase with the diameter and type of cable refer to the manufacturer's recommendations for specific requirements.

2. After installation, exposed cable and other surfaces must be cleaned free of lubricant residue. Use only lubricants specifically designed for cable installation.
- B. Pull Strings:
1. Horizontal and Vertical Pathways
 - a. The pathway installer shall:
 - 1) Provide pull strings in all new conduits, including all conduits with cable installed as part of this contract.
 - 2) Provide pull strings in all new cable trays.
 - 3) Pull string shall have a rated average breaking strength of 200 pounds.
 - 4) During pulling sessions, pull strings must move freely to prevent cable jacket/cable damage.
 - 5) Free moving pull strings shall be provided in all locations where they are utilized as part of this contract.
- C. Conduit Fill:
1. Reference manufacturer's Design Installation Guidelines manual.
 2. Comply with requirements of NFPA 70 (NEC)
 3. The number of cables placed in a pathway shall not exceed manufacture specifications, nor, will the geometric shape of a cable be affected.
 - a. Conduit pathways shall have a maximum fill ratio of 40% to allow for proper pulling tension and lay of the CAT6A F/UTP cable. A minimum of a 1" diameter conduit is required for new construction. Existing conduits will require the reduction of the number of cables placed in the conduit to meet the required fill ratio.

3.2 INTRA-BUILDING CABLE ROUTING

- A. Pathways
1. The backbone subsystem shall include cable installed in a vertical manner between floor telecommunications rooms and the main or intermediate cross-connect in a multi-story building and cable installed horizontally between telecommunications rooms and the main or intermediate cross-connect in a long single-story building.
 2. Adequate riser sleeve/slot space shall be available with the ability to ingress the area later in all telecommunications rooms, such that no drilling of additional sleeves/slots is necessary. Proper fire stopping is required for all sleeves/slots per national and local codes. Install fire stop material designed specifically for the building construction conditions and to meet the existing fire stop material as directed by the building engineer.
 3. Backbone pathways shall be installed or selected such that the minimum bend radius of backbone cables is kept within manufacturer specifications both during and after installation.
 4. Where redundant paths are required, they shall be separated by a minimum of 24".
 - a. Separate innerducts and/or armored fiber are required for each leg of the redundant path.
 - b. Separate physical routing for each path shall be utilized where possible.
 5. Building backbone cables shall be installed in "dry" locations that provide protection from moisture levels above the intended operating range of inside plant (ISP) cables. "Slab-on-Grade" building designs wherein pathways are installed underground on/in the poured concrete slabs that are in direct contact with the soil are considered wet locations and hence are not permitted.

END OF SECTION

SECTION 270529

HANGERS AND SUPPORTS FOR
COMMUNICATION SYSTEMS

PART 1 - PRODUCTS

1.1 APPROVED PRODUCT

- A. The J-hooks shall meet or exceed the below characteristics of construction and features
 - 1. Provide broad based support for cabling to aid in maintaining overall system performance.
 - 2. Be available in 50.8mm (2") and 101.6mm (4") options
 - 3. Come equipped with a cable retention clip
 - 4. Offers a full line of mounting accessories.

1.2 APPROVED MANUFACTURERS

- A. Ericson / Caddy
- B. B-Line
- C. Stiffy

PART 2 - EXECUTION

2.1 J-HOOKS AND OTHER SUPPORTS SHALL BE INSTALLED SUCH THAT THEY:

- A. Shall be supported with devices designed for this purpose and shall be installed independently of any other structural component. J-Hooks shall not use the suspended ceiling support wires or lighting fixture support wires.
- B. The number of cables placed into the J-hooks shall be limited to a number that will not cause a change to the geometric shape of the cables.
 - 1. Limit to a 40% fill in new construction.
- C. J-hooks shall not be spaced farther than 1.5 meters (5 ft.) apart, with a recommendation that they be spaced at 1 meter (3 ft.) apart. Note: Construction may require distances to exceed the maximum and are considered an exception requiring approval of project manager or building engineer.
- D. J-hooks or better must be installed without exception.

2.2 UNACCEPTABLE INSTALLATIONS

- A. Free flight of cables
- B. Resting or attaching of cables on pipes, conduits, HVAC duct work, fire sprinkler systems, basket tray, basket tray supports or on the ceiling tiles/grid.

END OF SECTION

SECTION 270533

CONDUITS AND BACK BOXES FOR
COMMUNICATIONS SYSTEMS

PART 1 - GENERAL

1.1 RELATED DOCUMENTS

- A. Division 26 – Electrical work

PART 2 - PRODUCTS

2.1 APPROVED PRODUCT

- A. Conduits and Back boxes shall meet the construction requirements of the NEC for the type of structure and space in which they are installed and will be of the diameter and size to provide adequate fill, bend radius and connector space. Refer to section 270528.

PART 3 - EXECUTION

3.1 CONDUIT SIZING

- A. Conduit size shall be based on the type of cable installed and the required fill ratio and bend radius associated with the type of cable specified.
 - 1. Minimum conduit size to back box for CAT6A F/UTP shall be 1-inch EMT.
- B. Conduit and installation shall be provided by Division 26.
- C. All conduit stubs shall be installed with plastic bushings appropriate for the size of conduit used.
- D. Conduits that stub to accessible ceiling shall be installed in the direction to provide the shortest path to the TDR, complete with pull string.

3.2 BACK BOX SIZING

- A. New work back boxes for CAT6A F/UTP shall be a minimum of trade size 4-11/16" x 4-11/16" x 3" (depth) plus a 5/8" plaster ring to allow for proper bend radius and connector termination/installation. Side knockouts shall be avoided.
- B. Back boxes for rework shall meet the same specification as for new work.
 - 1. If existing back boxes or back boxes that are smaller due to construction restrictions, then devices such as extension rings, bezels or faceplates shall be used to modify the back box to insure proper bend radius and connector termination/installation.
 - a. Verification and approval of the size change must have DCO Infrastructure Cabling and engineering approval.

3.3 BACK BOX COMPOSITION

- A. All back boxes for IT systems shall be UL/CSA listed and approved for the purpose.

1. Non-metal back boxes shall not be used for any interior IT related device.

3.4 SPECIAL CONDITIONS – LEAD LINED WALLS FOR RADIATION CONTROL

- A. Refer to the complete IT Lead Lined Wall Procedure – Attachment Appendix 8

END OF SECTION

SECTION 270536

CABLE TRAY FOR
COMMUNICATIONS SYSTEMS

PART 1 - GENERAL

1.1 RELATED DOCUMENTS

- A. This section shall be coordinated with Sections 270528, 270539, and 270543_46

1.2 COORDINATION

- A. Prior to beginning installation, a kick-off meeting to properly coordinate the tray installation and expectations should be held. It should be arranged by the General Contractor, and at a minimum include representatives of the following trades: FP&D, Electrical (Div 26), Structured cable, Nurse Call, paging, building automation and control, plumbing, HVAC, fire sprinkler, framing, and others as applicable. The Data Center Operations Infrastructure Cabling Team will lead the meeting.
- B. The wire basket tray routing shall be approved by the low voltage CI cable contractor (Div. 27 sub-contractor), and the Data Center Operations.
- C. Where adequate space is available a Triple tier J-Hook pathway shall parallel the basket trays for other services
1. The triple tier J-Hooks shall be installed by the cable tray installer.
- D. Single J-Hooks as needed to extend beyond the triple tier, shall be installed by the trade that will be utilizing them.
- E. Cable tray shall be a high priority installation to allow adequate time for proper and complete cable installation prior to ceiling grid.

PART 2 - PRODUCTS

2.1 APPROVED PRODUCT

- A. The Cable Tray shall meet or exceed the below characteristics of construction and features:
1. It shall be fully welded and available in a galvanized silver or powder coat black finish
 2. Have an optional construction using "elongated" shaped wires offering a more broad-based support for installed cables.
 3. Cable ladder shall be used in data rooms for horizontal management above the racks.
 4. Ladder shall match the manufacturer of the data racks or exact equal.
 5. Ladder shall be assembled with manufacturer approved parts and methods.
- B. APPROVED MANUFACTURES
1. WBT – Wire Basket Tray (preferred)
 2. Siemon RouteIT™ Wire Mesh Cable Tray, or equal basket type tray
 3. Cabofil per owner's approval

2.2 PART NUMBERS (SUBMITTAL REQUIRED)

- A. Cable Tray
1. Refer to plans for part numbers.

PART 3 - EXECUTION

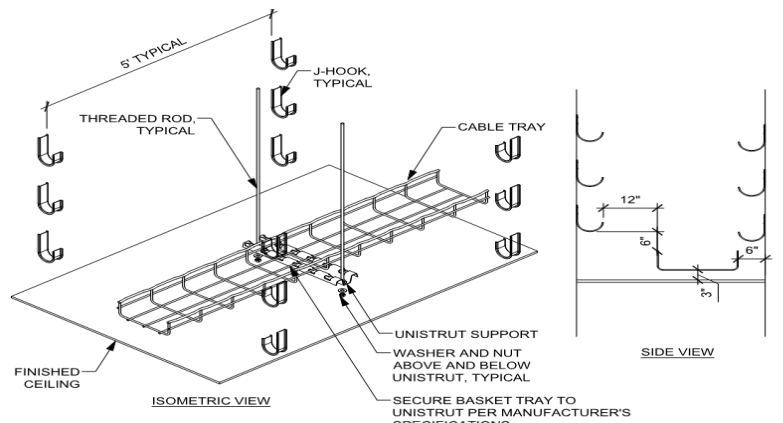
3.1 PATHWAY INSTALLATION

A. Supports

1. Installed per Manufacturer's Specifications and utilize components specific to the maintenance of proper access in and out of the cable tray using bend delimiters.
2. Distance between supports shall not exceed 5 feet
 - a. Less distance between supports required if per manufacturer's instructions.
 - b. Minimum of one support required within 24" on each side of any junction point.
3. Supports shall be of the trapeze design to provide maximum stability.
 - a. Each support shall attach to structure via its own hangers.
 - 1) All hanger supports shall be constructed of a rigid material such as all-thread.
 - 2) All hangers and supports shall be installed perpendicular and plumb to the tray. No angle supports shall be permitted unless augmented perpendicularly.
 - 3) Vibration and sway (seismic) damping required.
 - 4) Provide support across width of tray underneath, not via basket side wires.
 - 5) Building walls do not qualify as a support and shall not be used as a support.
4. Supports shall be of sufficient strength to support at least 200% of the expected load
5. Wall mounted angle brackets shall not be used as a load bearing support for cable tray.

B. Complete system access

1. Cable tray shall have a dedicated free clearance zone surrounding it.
 - a. 12" clear space shall be provided on the side where natural feed will occur.
 - b. 6" clear space shall be provided on the side opposite the feed access.
 - c. 8" clear space above the top of tray minimum – recommended 12".
 - d. 3" clear space below the tray.
2. Exception: other services may pass through the free clearance zone provided it is perpendicular to the tray direction and providing they do not exceed 6' in width or interfere with the access to pull wire in the tray.



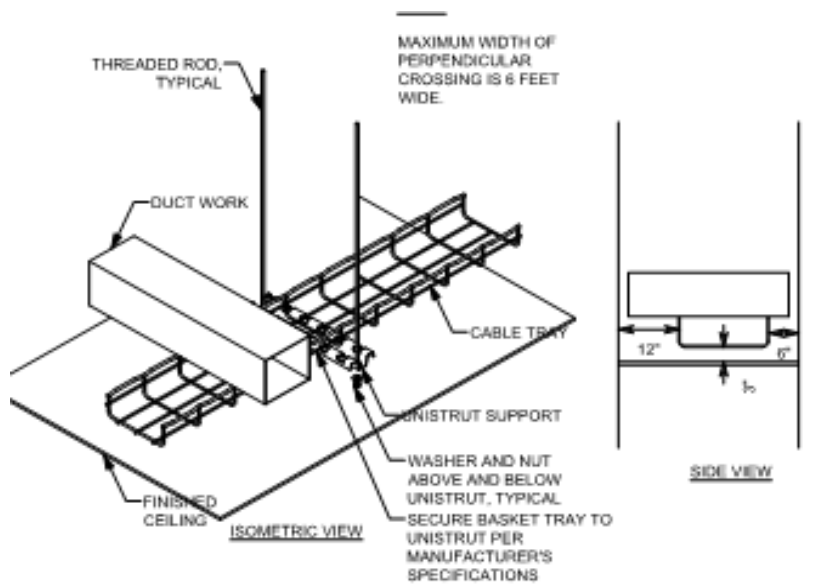
TYPICAL CABLE TRAY WITH J-HOOK INSTALL
NO SCALE

3.2 ROUTING OF BASKET TRAY

- A. Exact cable tray location shall be coordinated with other trades to ensure proper clearances and access. Prior to installation, final cable tray routing must be approved by the Owner's Data Center Operations/Infrastructure cabling team.
- B. Cable tray shall be installed in straight lines, either parallel or perpendicular to building lines
- C. Cable tray shall follow corridor paths
 - 1. Routing above rooms and other partitions shall be avoided
- D. Cable tray and flush penetrations shall be utilized over hard-lid areas as specified.
- E. Access panels shall be provided where needed to provide access to the cable tray on both sides of the wall in hard lid areas within 3' or less of the basket tray.

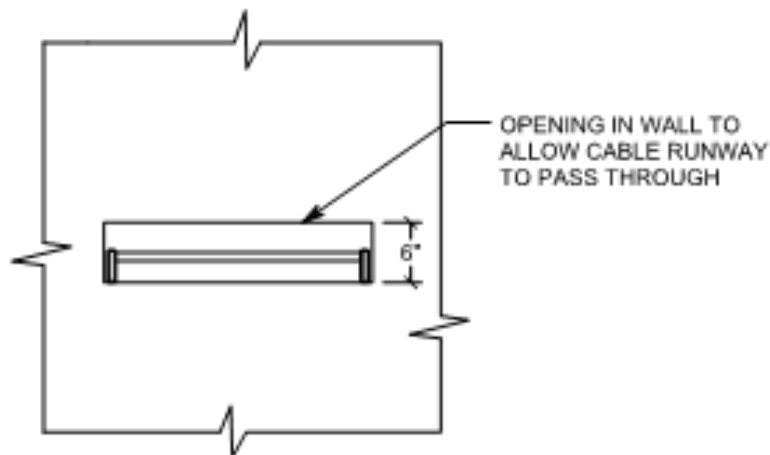
3.3 TRAY INTEGRITY

- A. Tray shall be installed as a complete, continuous system with no open spaces, cut outs, or missing segments. Bonding between sections shall be accomplished by the manufacturer's approved clamp or designated method.
- B. Tray shall be free from obstructions, other systems, trash or debris. Access to the tray shall be provided as outlined.
- C. There shall not to be any other trades infrastructure or equipment attached to or supported by the basket tray or basket tray support system.
- D. Tray must not be notched or cut-out to accommodate other trades. Repairs will not be accepted. Section replacement will be required at no cost to owner.
- E. As much tray material as possible shall be left uncut at turns, junctions, elevation changes, width changes, etc. Overlap shall be clamped to maximize strength and prevent pinch points.



TYPICAL CABLE TRAY WITH PERPENDICULAR CROSSING

PART 4 - #



CABLE RUNWAY THROUGH WALL DETAIL

PART 5 - #

5.1 WALL OR OTHER PENETRATIONS (SUBMITTAL REQUIRED)

- A. Fire and smoke rated assemblies
 - 1. Penetrations shall comply with all fire and smoke prevention methods per codes and as outlined elsewhere in this document, including Section 270528 and Division 7.
- B. Approved penetration methods
 - 1. Preferred barrier penetration method shall be to run the tray continuous through the barrier, with closure provided by Firestop pillows.
 - a. Framing shall be boxed around openings to permit proper pillow insertion. Coordinate with framing contractor.
 - 2. Sleeves or conduits
 - a. EZ-Path or alternate penetrations must provide 150% of the designed cross-sectional area of the basket.
 - b. Conduit permitted only with written pre-bid permission or engineering notation on the drawings.
 - c. Each penetration sleeve or conduit shall be bonded on both sides of the penetrated barrier using UL and AHJ approved methods.
 - 3. All penetrations shall be positioned in-line with the cable tray to facilitate ease of pulling conductors and provide a straight-line path.
 - a. The bottom of the penetration device shall be flush with the bottom of the cable tray
 - b. Side-to-side penetrations must be completely within the cable tray space or directly above whenever possible.
 - 4. Approved penetration devices shall be a minimum size of 4"
 - a. Total penetration space at each location shall be sized for 20% growth and be equal to or greater than the cross-sectional area of the basket tray.
 - b. Approved devices where smaller penetrations are permitted shall be a

- minimum size of 1".
5. Approved devices shall be approved by the local facility manager:
 - a. Fire rated STI EZ-Path
 - b. Hilti self-sealing device
 - c. Tray with enclosed wall and properly sized and installed pillows
 - d. Conduit sleeves
 - 1) Conduit sleeves should only be used as a last resort upon approval from owner's Data Center Operations Infrastructure Cabling representative.

5.2 UTILIZATION

- A. Capacity
 1. Trays and penetration devices shall be properly sized
 - a. Provide a maximum calculated fill ratio of 40% to an inside depth not to exceed 3 inches (75 mm)
 - b. Provide capacity to allow for at least 20% future growth
- B. Systems served
 1. Cable trays, J-hooks, and penetrations shall be dedicated to a single system. Mixing of other systems with voice and data shall not be permitted in tray or J-hook paths.
 2. Exception: Different systems may share cable tray providing the following conditions are met:
 - a. Less than 40% overall fill is maintained, plus 20% additional space for growth
 - b. There is a minimum 3" separation between systems
 - c. There is a grounded physical divider between systems
- C. Restricted content in trays
 1. The wire basket tray shall only contain cables for the voice and data communications systems.
 - a. If there is sufficient space in the tray, and with approval from both the data network sub-contractor and the Data Center Operations, certain other IP services may share tray space. (i.e. camera, telemetry, similar).
 - b. Service loops must not reduce tray capacity.
 - c. Nurse call cabling shall be run in the J-Hook path. All nurse call installations must provide their own path or utilize the triple J-Hook system.
- D. Triple J-Hook path assignments
 1. The Lower tier of the triple J-Hook path is designated for Card Access and building automation and controls
 2. The Middle tier of the triple J-Hook path may alternately be utilized for Nurse Call, or other EMI producing systems.
 3. The Top tier of the triple J-Hook path is designated for satellite, DAS, or similar systems.
 4. When a triple J-hook pathway is not installed or available each system provider shall install their own j-hook pathway and wall penetrations.
 5. Service loop and slack shall not interfere with other pathways.

END OF SECTION

SECTION 270543/46

UNDERGROUND DUCTS, UTILITY POLES,
AND RACEWAYS FOR INTER-
BUILDING/CAMPUS CABLE ROUTING

PART 1 - PRODUCTS

1.1 INTER-BUILDING/CAMPUS CABLE ROUTING

- A. The backbone subsystem shall include cable installed between buildings via approved underground, tunnel, direct -buried, aerial or any combination of these from the Campus Distributor/Main Cross-connect (CD/MC/TEC) to Building Distributor/Intermediate Cross-connect (BD/IC/TDR) in a multi-building campus.
 - 1. 4" Conduit is required
 - 2. (3) 1 ¼" inner ducts shall be installed in all 4" conduits going building to building.
 - 3. Armored Fiber is required.
 - 4. Microduct/microfiber is optional.
- B. Backbone pathways shall be installed or selected such that the minimum bend radius and pulling tension of backbone cables is kept within cable manufacturer specifications both during and after installation.
- C. In an underground system, adequate underground conduit space shall be available and accessible at each building. The conduits shall not exceed a fill ratio of 40%.
 - 1. All underground systems shall be designed to prevent water runoff from entering the building. All underground systems must be cleared of any moisture prior to installation of any cable type. These systems must be sealed at both ends when not in use and after cable installation to prevent moisture and rodent infiltration.

PART 2 - EXECUTION

2.1 INSTALLATION

- A. The backbone cables shall be installed in a hierarchical star topology, emanating from the Campus Distributor/Main Cross-connect to each satellite building, Building Distributor/Intermediate Cross-connect or Floor Distributor/Horizontal Cross-connect located in a telecommunication room. All Inter-building/Campus cables shall be installed to the applicable codes and regulations.
- B. Where redundant paths are required, they shall be separated by a minimum of 24".
 - 1. Separate innerducts are required for each leg of the redundant path.
 - 2. Separate physical routing for each path shall be utilized where possible.
- C. Optical fiber shall be run for all Inter-building/Campus backbone segments, and as a recommendation, at least one balanced twisted-pair cable should be run for each Inter-building backbone segment.
 - 1. Fibers will be Fusion Spliced in the telecommunications rooms using LC Pigtaills in wall mounted interconnect centers or rack mounted panels equipped with sufficient ports, slack storage space and splice trays if required to terminate and secure all fibers.
- D. ST connectors are no longer recommended in the TIA 568-C.3 standard but may be used in legacy installations.
- E. Over-voltage Circuit Protection shall be utilized for cabling which enters or exits a building shall comply with applicable codes and regulations.
- F. OSP (outside plant) cables shall transition to an ISP (inside plant) within 50 feet of changing environment, per national and local codes and regulations.

END OF SECTION

SECTION 270553

IDENTIFICATION FOR LOW-VOLTAGE
CABLES AND LABELING

PART 1 - GENERAL

1.1 NOT USED

PART 2 - PRODUCTS

2.1 LABELING

- A. Structured cabling shall be labeled in accordance with ANSI/TIA 606-B standards.
- B. A unique identifier shall be marked on each faceplate to identify it as connecting hardware.
- C. Each port in the faceplate shall be labeled with its identifier.
- D. A unique identifier shall be marked on each piece of connecting hardware to identify it as connecting hardware.
- E. Each port on the connecting hardware shall be labeled with its identifier.
- F. Cable Labeling
 - 1. Label System
 - a. Labels Identification (Labeling) System:
 - 1) Brady
 - 2) Dymo
 - 3) Hellerman-Tyton
 - 4) Panduit
 - 5) Acceptable alternate
 - a) Approval from Data Center Operations Infrastructure Cabling team member required prior to bid
 - 2. Cable Labels
 - a. Self-adhesive vinyl or vinyl-cloth wraparound tape markers, machine printed with alphanumeric cable designations. Plastic, self-adhesive labels are not acceptable.
 - b. Each end of the Horizontal cables shall be labeled with a mechanically generated label within 300mm (12 in) of the end of the cable jacket with the link identifier which shall be a unique configuration determined by owner. This also applies to the Backbone Cables.
 - 3. Flat-surface labels
 - a. Self-adhesive vinyl or vinyl-cloth labels, machine printed with alphanumeric cable designations
 - 4. Contractor shall:
 - a. Provide transparent plastic label holders, and 4 pair marked colored labels.
 - b. Install colored labels according to the type of field as per ANSI/TIA 606-B.1 color code designations.
- G. PALLETTE
 - 1. Use the owners color-code guidelines for voice, data, cross-connect, riser, and backbone fields. Otherwise, use the ANSI/TIA 606-B designation strip color-code guidelines for voice, data, cross-connect, riser, and backbone fields. Color designations for F/UTP cable:
 - a. Intermountain Healthcare Standard Wiring Palettes for Horizontal Cabling
 - b. Use Color

	1)	Data & IP Phones	Blue
	2)	Analog Phone	Blue
	3)	Security Card Readers	Grey/Yellow
	4)	IP Security Cameras	Blue
	5)	Fire Systems	Red
	6)	TV Coax	Black
	7)	Public Address/Telecom Patching in TEC only	White
	8)	Clinical Engineering –	Orange
		a) Monitoring, Bed Systems	Orange
		b) Nurse Call (5e)	Orange
		c) Real time patient data	Orange
	9)	Wireless	Yellow
	10)	Foreseer (Belden 1422)	Red
H.		Outlet/Jack/Faceplate Icons/labeling will match the color of the cable attached to the back side of the outlet/jack.	

PART 3 - EXECUTION

3.1 GENERAL IDENTIFICATION

- A. Installer shall label all cable, regardless of length.
- B. Identify system components, wiring, and cabling complying with TIA/EIA-606-B.1. Comply with requirements for identification specified in Division 26 Section "Identification for Electrical Systems."
- C. Color-code cross-connect fields. Apply colors to voice and data service backboards, connections, covers, and labels.
- D. Using cable management system software specified in Part 2, develop Cabling Administration Drawings for system identification, testing, and management. Use unique, alphanumeric designation for each cable and label cable, jacks, connectors, and terminals to which it connects with same designation. At completion, cable and asset management software shall reflect as-built conditions.
- E. Cable Schedule: Post in prominent location in each equipment room and wiring closet. List incoming and outgoing cables and their designations, origins, and destinations. Protect with rigid frame and clear plastic cover. Furnish an electronic copy of final comprehensive schedules for Project.
- F. Cabling Administration Drawings: Show building floor plans with cabling administration-point labeling. Identify labeling convention and show labels for telecommunications rooms, backbone pathways and cables, entrance pathways and cables, terminal hardware and positions, horizontal cables, work areas and workstation terminal positions, grounding buses and pathways, and equipment grounding conductors. Follow convention of TIA/EIA-606-B.1. Furnish electronic record of all drawings, in software and format selected by Owner

3.2 CONCEALED ENDS

- A. Jacks, connectors, terminations, and similar that are in concealed locations such as above grid ceilings, shall have additional labeling. The additional label shall be on the face of the grid in a visible location, immediately adjacent to the termination location.

3.3 CABLE AND WIRE IDENTIFICATION

- A. Label each cable visibly within 4 inches of each termination and tap, where it is accessible in a cabinet or junction or outlet box, and elsewhere as indicated.
- B. Each wire connected to building-mounted devices is not required to be numbered at device if color of wire is consistent with associated wire connected and numbered within panel or cabinet.

- C. Label each terminal strip and screw terminal in each cabinet, rack, or panel.
 - 1. Individually number wiring conductors connected to terminal strips and identify each cable or wiring group being extended from a panel or cabinet to a building mounted device shall be identified with name and number of particular devices as shown.
 - 2. Label each unit and field within distribution racks and frames.
- D. Labels shall be preprinted or computer-printed type with printing area and font color that contrasts with cable jacket color but still complies with requirements in TIA/EIA-606-B.1.

END OF SECTION

SECTION 271100

EQUIPMENT ROOM FITTINGS

PART 1 - GENERAL

1.1 RELATED DOCUMENTS

- A. Requirements of the following Division 26 sections apply to this section
 - 1. Basic electrical requirements
 - 2. Basic electrical materials and methods
 - 3. Grounding, earthing, and bonding
- B. Standards
 - 1. Minimum equipment room specifications shall comply with the 2010 AIA Guidelines for Design and Construction of Healthcare Facilities.
 - 2. Minimum recommended room sizes are requirements, not suggestions.
 - 3. Enterprise IS Architecture (EISA) maintains several documents around standards. The primary standards list is the EISA Standards 2010 – Master List. Occasionally, there is a need to breakout specific standards for an area.

1.2 SUMMARY

- A. This Section specifically details the facilities design and operations standards to be utilized for Intermountain Health Care's Data Rooms (TEC) and data closets (TDR).

1.3 COMMON REQUIREMENTS

- A. Rack layout and mounting
 - 1. Standard room layouts are located on the plans.
- B. Rack and wall mounting locations
 - 1. Rack and wall space use is pre-designated at the design stage. Before mounting any equipment on a wall or in a rack, the location must be verified by the Div 27 sub-contractor and the Data Center Operations.

1.4 DEFINITIONS

- A. **Data Center** – Major computer/technology/network facilities providing a significant percentage of the data and application services for the enterprise.
- B. **Data Rooms – ((TEC) Technology Equipment Center)** – Purpose built buildings or rooms that provide communications point-of-presence along with some data and applications services for a local facility or region.
- C. **TSER (Telecommunications Service Entrance Room)** – Houses the point at which data and voice circuits and services enter the facility and outdoor cabling interfaces with the building infrastructure. Typically, the TSER will be located in the TEC.
- D. **Data Closets – ((TDR) Technology Distribution Room)** – Specific location within a facility that provides communication services for a specific area (floor, wing, office area) of that facility only. A secure, flexible, and easily managed location for the structured cabling systems, network electronics, clinical systems, nurse call systems, and other technology and communications equipment.

PART 2 - TECHNOLOGY ROOM SPECIFIC REQUIREMENTS

2.1 TECHNOLOGY EQUIPMENT CENTER (TEC)

- A. Each Hospital will have a dedicated TEC which will serve as the main communications point-of-presence along with data and application services for the local facility or region. Houses the core networking equipment, application servers and data storage devices that serve the buildings on the campus. The Telecommunications Service Entrance Room (TSER) will be in the same room.

2.2 TEC IN HOSPITALS

- A. Physical Construction
1. The TEC should be in an area easily accessed for delivery of equipment and high traffic without disturbing patient care.
 2. The size of the TEC will be based on the number of cabinets required to support the campus, plus 30% growth.
 3. Walls will be constructed from the floor to the deck and be completely sealed from surrounding spaces.
 4. A minimum 50% of open wall space will have ¾" fire rated plywood covering the walls.
 5. Fire rated plywood shall be painted with fire resistant paint, leaving the fire rating stamp un-painted.
 6. The TEC should not have a ceiling other than the deck.
 7. Static Dissipative Tile is required in the TEC.
 8. The door to the TEC shall be 8' tall and 4' wide to accommodate the cabinet height.
 9. The walls of the TEC should not have any windows installed.
- B. Layout
1. Cabinets will be in a cold isle configuration.
 2. Containment will be installed, including removable ceiling panels and isle doors.
- C. Electrical
1. The electrical distribution system will follow an A (BLUE) – B (RED) design.
 2. Each system A (BLUE) and B (RED) will be backed up by a dedicated UPS.
 3. Outlet type is L21-30
 4. All power is to be run in conduit.
 5. Lighting will be installed above each isle.
- D. Mechanical
1. The mechanical system will be a precision cooling solution installed in an in row, N+1 configuration designed to maintain 72 degrees F at mid cabinet.
 2. The mechanical system will be redundant and concurrently maintainable including on the electrical supply.
 3. The system shall meet engineering specifications for the room at 110 degrees outside air at 4500 feet above sea level.
 4. Chilled water, DX (Air Cooled) and Glycol (30% polyethylene glycol to water) are all acceptable cooling strategies.
- E. Security
1. Doors will be fitted with an auditable card reader.
- F. Fire System
1. A pre-action dry pipe fire system will be installed
- G. Monitoring
1. Eaton Forseeer system will be used to monitor all critical systems.
 2. Forseeer cables will be run to all UPSs, cooling units and TDRs.
 3. One Cat 6a F/UTP cable to each UPS.

2.3 TEC in Clinics and Office Buildings

- A. Clinics and Offices will have a room which will serve as a TEC and TDR. This room will be sized to accommodate the multifunction of the space.

2.4 TEC/TDR in Clinics

- A. Physical Construction
 - 1. TDRs should be in a central location off the main corridor away from patient areas.
 - 2. TDRs should be stacked from floor to floor.
 - 3. TDR size will be at least 12' x 14'.
 - 4. Walls will be constructed from the floor to the deck and be completely sealed from surrounding spaces.
 - 5. A minimum 50% of open wall space will have ¾" fire rated plywood covering the walls.
 - 6. Fire rated plywood shall be painted with fire resistant paint, leaving the fire rating stamp un-painted.
 - 7. The TDR should not have a ceiling other than the deck.
 - 8. Flooring can be Static Dissipative Tile or Epoxy Paint.
 - 9. 3' wide door is required.
 - 10. When permissible, doors shall swing out of the room to provide maximum available space and rapid egress.
- B. Layout
 - 1. Racks in a single row with the front being the cold isle.
 - 2. The front of the racks should face the door.
- C. Electrical
 - 1. The electrical distribution system will follow an A (BLUE)-B (RED) design.
 - 2. System A(BLUE) will be backed up by a dedicated UPS.
 - 3. System B(RED) will be from a dedicated utility circuit.
 - 4. Outlet type is L6-30 and L5-20.
 - 5. All power is to be run in conduit.
 - 6. Lighting will be installed above each isle.
- D. Mechanical
 - 1. TDRs will have redundant cooling
 - a. Primary cooling is from the facility cooling system via a dedicated source.
 - b. Secondary cooling is from a standalone split or ceiling mount source.
 - c. The secondary system will be fed from the facility generator equipment electrical source if available.
 - d. The Mechanical system will be designed to maintain 72 degrees F at mid rack.
 - e. The coordination scheme between primary and secondary cooling systems can be accomplished by setting the primary system to 72 degrees F and the secondary system to 75 degrees F.
- E. Security
 - 1. Doors will be fitted with an auditable card reader.
- F. Fire System
 - 1. TDRs will utilize the facility fire detection and suppression systems.
 - 2. Sprinkler heads should have a 200-degree fuse.
 - 3. Sprinklers should be protected from accidental activation.
- G. Monitoring
 - 1. TDRs will be monitored using Eaton/Foreseer.
 - 2. Run 3 foreseer cables to each TDR.
 - 3. One Cat6a F/UTP cable to each UPS.

2.5 TEC/TDR in Offices

- A. Physical Construction
 - 1. TDRs should be in a central location off a main corridor.
 - 2. TDRs should be stacked from floor to floor.
 - 3. TDR size will be at least 12' x 14'.
 - 4. Walls will be constructed from the floor to the deck and be completely sealed from surrounding spaces.
 - 5. A minimum 50% of open wall space will have ¾" fire rated plywood covering the walls.

6. Fire rated plywood shall be painted with fire resistant paint, leaving the fire rating stamp un-painted.
 7. The TDR should not have a ceiling other than the deck.
 8. Flooring can be Static Dissipative Tile or Epoxy Paint.
 9. 3' wide door is required.
 10. When permissible, doors shall swing out of the room to provide maximum available space and rapid egress.
- B. Layout
1. Racks in a single row with the front being the cold isle.
 2. The front of the racks should face the door.
- C. Electrical
1. The electrical distribution system will follow an A (BLUE)-B (RED) design.
 2. System A(BLUE) will be backed up by a dedicated UPS.
 3. System B(RED) will be from a dedicated utility circuit.
 4. Outlet type is L6-30 and L5-20.
 5. All power is to be run in conduit.
 6. Lighting will be installed above each row.
- D. Mechanical
1. TDRs will have redundant cooling system designed to maintain 72 degrees F at mid rack.
 - a. Primary cooling is from the facility cooling system via a dedicated source.
 - b. Secondary cooling is from a standalone split or ceiling mount source.
 - 1) The secondary system will be fed from the facility generator equipment electrical source if available.
 - c. The coordination scheme between primary and secondary cooling systems can be accomplished by setting the primary system to 72 degrees F and the secondary system to 75 degrees F.
 2. Doors will be fitted with an auditable card reader.
- E. Fire System
1. TDRs will utilize the facility fire detection and suppression systems.
 2. Sprinkler heads should have a 200-degree fuse.
 3. Sprinklers should be protected from accidental activation.
- F. Monitoring
1. TDRs will be monitored using Eaton/Foreseer.
 2. Run 3 foreseer cables to each TDR.
 3. One Cat 6a F/UTP cable to each UPS.

2.6 TECHNOLOGY DISTRIBUTION ROOM (TDR)

- A. There shall be a minimum of one TDR on each floor of the facility. TDR's shall be provided throughout the facility as necessary to meet the 292' (90-meter) maximum cables distance. The TDR is located on each floor within a facility to house equipment and cabling, providing communication and technology services for a specific area of that facility. Based on the different needs of different facilities, the TDR's will be broken down into three categories. Hospital, Clinic and Office spaces.

2.7 TDR IN HOSPITALS

- A. Physical Construction
1. TDRs should be in a central location off a main corridor and away from patient areas.
 2. TDRs should be stacked from floor to floor.
 3. TDR size will be at least 14' x 16'.
 4. Walls will be constructed from the floor to the deck and be completely sealed from surrounding spaces.
 5. A minimum 50% of open wall space will have ¾" fire rated plywood covering the walls.

6. Fire rated plywood shall be painted with fire resistant paint, leaving the fire rating stamp un-painted.
 7. The TDR should not have a ceiling other than the deck.
 8. Flooring can be Static Dissipative Tile or Epoxy Paint.
 9. 3' wide door is required.
 10. When permissible, doors shall swing out of the room to provide maximum available space and rapid egress.
- B. Layout
1. Racks will be in a cold isle configuration.
 2. Two rows with the cold isle in the middle.
- C. Electrical
1. The electrical distribution system will follow an A (BLUE)-B (RED) design.
 2. Each system A(BLUE) and B(RED) will be backed up by a dedicated UPS.
 3. Outlet type is L6-30 and L5-20.
 4. All power is to be run in conduit.
 5. Lighting will be installed above each row.
- D. Mechanical
1. TDRs will have redundant cooling designed to maintain 72 degrees F at mid rack.
 - a. Primary cooling is from the facility cooling system via a dedicated source.
 - b. Secondary cooling is from a standalone split or ceiling mount source.
 - c. The secondary system will be fed from the facility generator equipment electrical source if available.
 - d. The coordination scheme between primary and secondary cooling systems can be accomplished by setting the primary system to 72 degrees F and the secondary system to 75 degrees F.
- E. Security
1. Doors will be fitted with an auditable card reader.
- F. Fire System
1. TDRs will utilize the facility fire detection and suppression systems.
 2. Sprinkler heads should have a 200-degree fuse.
 3. Sprinklers should be protected from accidental activation.
- G. Monitoring
1. TDRs will be monitored using Eaton/Foreseer.
 2. Run 3 foreseer cables to each TDR.
 3. One Cat 6a F/UTP cable to each UPS.

2.8 TDR in Clinics

- A. Physical Construction
1. TDRs should be in a central location off a main corridor and away from patient areas.
 2. TDRs should be stacked from floor to floor.
 3. TDR size will be at least 10' x 12'.
 4. Walls will be constructed from the floor to the deck and be completely sealed from surrounding spaces.
 5. A minimum 50% of open wall space will have ¾" fire rated plywood covering the walls.
 6. Fire rated plywood shall be painted with fire resistant paint, leaving the fire rating stamp un-painted.
 7. The TDR should not have a ceiling other than the deck.
 8. Flooring can be Static Dissipative Tile or Epoxy Paint.
 9. 3' wide door is required.
 10. When permissible, doors shall swing out of the room to provide maximum available space and rapid egress.
- B. Layout
1. Racks in a single row with the front being the cold isle.
 2. The front of the racks should face the door.

- C. Electrical
 1. The electrical distribution system will follow an A (BLUE)-B (RED) design.
 2. System A(BLUE) will be backed up by a dedicated UPS.
 3. System B(RED) will be from a dedicated utility circuit.
 4. Outlet type is L6-30 and L5-20.
 5. All power is to be run in conduit.
 6. Lighting will be installed above each isle.
- D. Mechanical
 1. TDRs will have redundant cooling designed to maintain 72 degrees F at mid rack
 - a. Primary cooling is from the facility cooling system via a dedicated source.
 - b. Secondary cooling is from a standalone split or ceiling mount source.
 - c. The secondary system will be fed from the facility generator equipment electrical source if available.
 - d. The coordination scheme between primary and secondary cooling systems can be accomplished by setting the primary system to 72 degrees F and the secondary system to 75 degrees F.
- E. Security
 1. Doors will be fitted with an auditable card reader.
- F. Fire System
 1. TDRs will utilize the facility fire detection and suppression systems.
 2. Sprinkler heads should have a 200-degree fuse.
 3. Sprinklers should be protected from accidental activation.
- G. Monitoring
 1. TDRs will be monitored using Eaton/Foreseer.
 2. Run 3 foreseer cables to each TDR.
 3. One Cat 6a F/UTP cable to each UPS.

2.9 TDR in Offices

- A. Physical Construction
 1. TDRs should be in a central location off a main corridor.
 2. TDRs should be stacked from floor to floor.
 3. TDR size will be at least 10' x 12'.
 4. Walls will be constructed from the floor to the deck and be completely sealed from surrounding spaces.
 5. A minimum 50% of open wall space will have ¾" fire rated plywood covering the walls.
 6. Fire rated plywood shall be painted with fire resistant paint, leaving the fire rating stamp un-painted.
 7. The TDR should not have a ceiling other than the deck.
 8. Flooring can be Static Dissipative Tile or Epoxy Paint.
 9. 3' wide door is required.
 10. When permissible, doors shall swing out of the room to provide maximum available space and rapid egress.
- B. Layout
 1. Racks in a single row with the front being the cold isle.
 2. The front of the racks should face the door.
- C. Electrical
 1. The electrical distribution system will follow an A (BLUE)-B (RED) design.
 2. System A(BLUE) will be backed up by a dedicated UPS.
 3. System B(RED) will be from a dedicated utility circuit.
 4. Outlet type is L6-30 and L5-20.
 5. All power is to be run in conduit.
 6. Lighting will be installed above each isle.
- D. Mechanical
 1. TDRs will have redundant cooling designed to maintain 72 degrees F at mid rack.
 - a. Primary cooling is from the facility cooling system via a dedicated source.

- b. Secondary cooling is from a standalone split or ceiling mount source.
 - c. The secondary system will be fed from the facility generator equipment electrical source if available.
 - d. The coordination scheme between primary and secondary cooling systems can be accomplished by setting the primary system to 72 degrees F and the secondary system to 75 degrees F.
- E. Security
- 1. Doors will be fitted with an auditable card reader.
- F. Fire System
- 1. TDRs will utilize the facility fire detection and suppression systems.
 - 2. Sprinkler heads should have a 200-degree fuse.
 - 3. Sprinklers should be protected from accidental activation.
- G. Monitoring
- 1. TDRs will be monitored using Eaton/Foreseer.
 - 2. Run 3 foreseer cables to each TDR.
 - 3. One Cat 6a F/UTP cable to each UPS.

PART 3 - EXECUTION

3.1 COMMON REQUIRED CHARACTERISTICS FOR TDR, TEC, & TSER

A. SECURITY - COMMON

- 1. Any visitor, vendor, or contractor requiring access to a Technology Room, who does not have appropriate approvals or clearances, must be escorted by a properly credentialed tech from the appropriate system.
- 2. The main technology equipment shall be secured in a dedicated, locked Technology Room.
- 3. Unused access jacks should be disconnected from the patch panels, and unused switch ports disabled.
- 4. Technology Rooms shall be dedicated to the data and telecommunications functions.
- 5. Access to the Technology Room shall be restricted to authorized service personnel and shall not be shared with building services that may interfere with the main networking interfaces, the networking equipment, the application servers, data storage devices, and telecommunications equipment systems.
- 6. Technology Rooms shall not be used for building maintenance services, custodial services, or be used for general storage.
- 7. Security cameras may be installed in each Technology Room upon owner's preference.
 - a. At entrances
 - b. At the end of each row of equipment racks
 - c. In electrical and mechanical rooms serving the Technology Room
 - d. Approved camera manufacturers: Axis and Bosch
- 8. Access to a Technology Room shall be restricted and controlled by an auditable access control system. The access control system shall comply with the requirements of this document.
- 9. All secure data areas must be secured by an auditable badge reader system.
 - a. Refer to plans or quotes for detailed information
 - b. Approved supplier: Intermountain Lock and Security Supply / 3106 S Main St / Salt Lake City, UT 84115 / 801-486-0079
 - c. Owner of security locks and badge readers: Intermountain Healthcare Data Center
 - d. For programing on the Medeco XT Electronic Keys contact: Intermountain Healthcare Data Center

B. PHYSICAL ENVIRONMENT

- 1. The Technology Room shall be in a dry area not subject to flooding and should be as close as possible to the electrical service room in order to reduce the length of the bonding conductor to electrical grounding system.

2. The Technology Room shall be in an accessible, non-sterile area.
3. Access to the Technology Room shall be directly off a corridor and not through another space.
4. The Technology Room shall be located to avoid large ducts, beams, and other building elements that may interfere with proper cable routing and may limit future access.
5. Mechanical and electrical equipment or fixtures not directly and exclusively related to the support of the Technology Room shall not be installed in, pass through, or enter the Technology Room.
6. Technology rooms shall not be located on exterior walls.
7. Technology rooms shall not have windows or other exterior openings.

3.2 TECHNOLOGY DISTRIBUTION ROOM (TDR) / DATA CLOSET

A. ELECTRICAL ENVIRONMENT

1. Separation from sources of EMI shall be in accordance with ANSI/TIA/EIA-569-C and local codes.
2. Communication grounding/earthing and bonding shall be in accordance with applicable codes and regulations. It is recommended that the requirements of IEC/TR3 61000-5-2 - Ed. 1.0, ANSI-J-STD-607-C, or both be observed throughout the entire cabling system.
 - a. All racks, equipment frames, furniture, flooring, ductwork within the IT space shall be bonded to the Central Ground bar provided and installed by Division 26.
 - 1) No AC electrical equipment bonding will be done at the Central Ground Bar. AC electrical grounding and bonding will be done according to the NEC.
3. Some TDRs will require redundant power and data feeds. See plans and drawings.
4. Lighting in the TDRs should be a minimum of 500 lx (50-foot candles) at the lowest point of termination.
 - a. Light switch should be easily accessible when entering the room.
 - b. Lighting will be fed from the generator system or have fixtures with battery backup.
5. A minimum of two dedicated duplex or two dedicated simplex electrical outlets, each on a separate 120V 20A circuit, should be provided for equipment power. Additional convenience duplex outlets should be placed at 1.8 m (6 ft) intervals around the perimeter walls.
 - a. Only twist lock receptacles will be used for rack power points. Type L-6-30R for 208 volt and type Nema L-5-20R for 120 volt
6. All power is to originate from the facilities generator backup system with one system (A-B) originating from the critical system.
7. All circuits serving the TDR and the equipment within it shall be dedicated to serving the TDR.
8. TDRs shall be connected by a backbone of insulated, #6 (minimum) to 3/0 AWG stranded copper cable between all technology rooms. This cable shall be provided and installed by Division 26.

B. MECHANICAL ENVIRONMENT

1. Reliable cooling shall be provided.
 - a. Based on criticality tiering structure individual rooms may require redundant, concurrently maintainable cooling systems.
 - b. Tier structure level shall be determined from the design guide.
2. Heat load shall be calculated at 4KW per equipment rack
3. Temperature and humidity in the TDR shall be controlled to an operating range of 64 to 75 degrees F (18 to 24 degrees C) with 30 to 55 percent relative humidity.

C. EQUIPMENT

1. Each TDR shall be connected to the TEC (Technology Equipment Center) to provide a building-wide network and communications system.
2. All racks, cabinets, sections of cable tray, and metal components of the technology system that do not carry electrical current shall be grounded.

3.3 TECHNOLOGY EQUIPMENT CENTER (TEC) / DATA ROOM

A. ELECTRICAL ENVIRONMENT

1. The TDR and TEC electrical environments shall match with the following exceptions:
2. All circuits serving the TEC and the equipment within it shall be dedicated to serving the TEC.

B. MECHANICAL ENVIRONMENT

1. TEC and TSER have the same mechanical environment.
2. Reliable cooling shall be provided.
3. Heat load shall be calculated at 4KW per equipment rack
4. Temperature and humidity in the TEC shall be controlled to an operating range of 64 to 75 degrees F (18 to 24 degrees C) with 30 to 55 percent relative humidity.

C. EQUIPMENT

1. Each TEC shall be connected to the TSER (Telecommunications Service Entrance Room) to provide an enterprise-wide network and communications system.
2. All racks, cabinets, sections of cable tray, and metal components of the technology system that do not carry electrical current shall be grounded.

3.4 TELECOMMUNICATION SERVICE ENTRANCE ROOM (TSER) / D-MARC

A. PURPOSE

1. The TSER (Telecommunications Service Entrance Room) equipment subsystem shall consist of shared (common) electronic communications equipment in the TEC or the TSER required to interface this equipment and distribution hardware to the transmission media of enterprise Wide Area Network (WAN) infrastructure.
2. The TSER shall be equipped to contain telecommunications equipment, cable terminations, and associated cross-connects.
 - a. Note that the AIA/State guidelines specify that the minimum size for a TSER is 12' by 14'.
 - b. Doors shall swing out of the room to provide maximum available space and rapid egress.
 - 1) Exception: where prohibited by fire or safety code.
3. The TSER shall be dedicated to the telecommunications function.

B. MECHANICAL ENVIRONMENT

1. Reliable cooling and heating shall be provided.
2. Temperature and humidity in the TSER shall be controlled to an operating range of 64 to 75 degrees F (18 to 24 degrees C) with 30 to 55 percent relative humidity.

C. EQUIPMENT

1. The TSER (Telecommunications Service Entrance Room) shall be connected to the specified WAN equipment to provide connectivity to the enterprise-wide network and communications system.
2. All racks, cabinets, sections of cable tray, and metal components of the technology system that do not carry electrical current shall be grounded.

END OF SECTION

SECTION 271116

CABINETS, RACKS, FRAMES,
AND ENCLOSURES

PART 1 - GENERAL

1.1 RELATED DOCUMENTS

- A. Cabinets and racks specifications are in TIA569-C and in the ET pages of the plans.

PART 2 - PRODUCTS

2.1 APPROVED PRODUCT

A. OPEN RACKS

1. For rack-mounted installations in a telecommunications room the installer shall use a 19 inch by 3-inch-deep equipment rack.
 - a. Equipment Rack 19" X 8', 52 RU, Black – Chatsworth 55053-715
 - b. Equipment Rack 19" X 7', 45 RU, Black – Chatsworth 55053-703
 - c. Exception: Where other size cabinets are specified by design team at owner's direction

B. WIRE MANAGERS

1. Part Numbers
 - a. Vertical Wire Manager, Double Sided, Black 10" wide x 8' tall – Chatsworth 40096-715
 - b. Vertical Wire Manager, Double Sided, Black 10" wide x 7' tall – Chatsworth 40096-703
 - c. Horizontal Wire Manager, 4U – Panduit PEHF4
2. Typical Standard Layout
 - a. Layout is 10" vertical manager, then 19" rack, then 10" vertical manager, then 19" rack, then 10" vertical manager.
 - b. Where more than 2 racks are called for, maintain the pattern of 10" vertical wire management on the ends, and 10" vertical management between racks.

C. CABINETS

1. Standard Cabinet
 - a. 2-Sided Cabinet – Vertiv E4562121120001S
 - b. 1-Sided Cabinet – Vertiv E4562122120001S
2. Wall Mount Cabinet
 - a. Vertical Wall Mount Cabinet – Legrand VWMSD-4RU-42-B
 - b. Vertical Wall Mount Cabinet – Legrand VWMSD-8RU-42-B
 - c. Fixed Mounting Rail Kit – Legrand VWM-RR-4RU
 - d. Fixed Mounting Rail Kit – Legrand VWM-RR-8RU
 - e. Pivoting Mounting Rail Kit – Legrand VWM-PIV-4RU
 - f. Fan Kits with 115 VAC fans – Legrand VWMFK-115
 - g. Top Brush Grommet Kit – Legrand VWMBGK
 - h. Circular Knockout Grommet Kit – Legrand VWMGR-30

END OF SECTION

SECTION 271119

TERMINATION BLOCKS AND
PATCH PANELS

PART 1 - GENERAL

1.1 RELATED DOCUMENTS

- A. Requirements of the following Division 26 sections apply to this section
 - 1. Basic electrical requirements
 - 2. Basic electrical materials and methods
 - 3. Grounding, Earthing, and Bonding

PART 2 - PRODUCTS

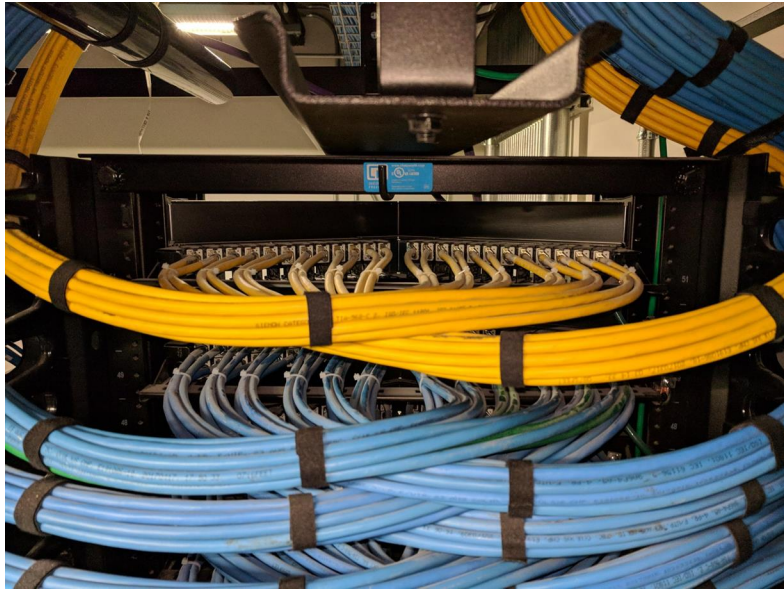
2.1 APPROVED PRODUCT

- A. PATCH PANELS – COPPER
 - 1. 48 Port CAT 6A Shielded, 1RU Angled Patch Panel with Outlets – Siemon Z6AS-PA-48A
 - 2. 48 Port CAT 6A Shielded, 1RU Flat Patch Panel with Outlets – Siemon Z6AS-PNL-U48K
 - 3. 24 Port CAT 6A Shielded, 1RU Flat Patch Panel with Outlets – Siemon Z6AS-PNL-U24K
 - 4. 48 Port CAT 5e, 2RU Angled Patch Panel, 110 Style – Siemon HD5-48A
 - 5. 48 Port CAT 5e, 2RU Flat Patch Panel, 110 Style – Siemon HD5-48
 - 6. 24 Port CAT 5e, 1RU Angled Patch Panel, 110 Style – Siemon HD5-24A
 - 7. 24 Port CAT 5e, 1RU Flat Patch Panel, 110 Style – Siemon HD5-24
 - 8. 19" Angled Blank Filler Panel, 1U, Black – Siemon PNL-BLNKA-1
 - a. Provide blank fillers where appropriate.
 - 9. 19" Flat Blank Filler Panel, 1U, Black – Siemon PNL-BLNK-1
 - a. Provide blank fillers where appropriate.
- B. PATCH PANELS – FIBER
 - 1. Rack Mount Fiber Enclosure – Siemon RIC3-48E-01
 - 2. Wall Mount Fiber Enclosure – Siemon SWIC3G-AA-01
 - 3. Blank Adapter Plate, Black – Siemon RIC-F-BLANK-01
 - 4. 12F-LCUPC-SM-Loaded-Splice Cassette - Siemon – RSC12-LCUSMA-B1
- C. CABINET PATCH PANEL – FIBER
 - 1. Lightstack Surface Mount Module Enclosure – Siemon – LSE-01
 - 2. Lightstack Surface Mount Splice Enclosure – Siemon – LSS-01
 - 3. LightStack LC Adapter Plate – Siemon LS-LS12-01C-AQ

PART 3 - EXECUTION

3.1 INSTALLATION

- A. For angled patch panels, the terminations shall cross in the back to the opposite path of the patch panel to maximize available cable bend radius.
- B. See illustration below in this section:



END OF SECTION

SECTION 271300

BACKBONE CABLING

PART 1 - GENERAL

1.1 RELATED DOCUMENTS

- A. Drawing and general provisions of the Contract, including General and Supplementary Conditions and Division 01 Specification Sections, apply to this section.
- B. Section 27 05 28 – Pathways for Communications Systems.

1.2 DEFINITIONS

- A. INTRA-BUILDING CABLING
 - 1. Cable that runs between telecommunications rooms (TRs) inside a building. Can be vertical or horizontal in physical orientation. It consists of the backbone transmission media between these locations and the associated connecting hardware terminating this media.
- B. INTER-BUILDING / CAMPUS CABLING
 - 1. Cable that runs between buildings in a campus environment. It is normally a first-level backbone cable beginning at the main cross-connect in the equipment room of the hub building and extending to the intermediate cross-connect in the equipment room of a satellite building. Campus Backbones require optical fiber cable to be installed to support high speed data applications.
 - 2. Customer owned outside plant (OSP) cabling.

PART 2 - PRODUCTS

2.1 PERMITTED BACKBONE MEDIA

- A. Cables allowed for use in the backbone include:
 - 1. CAT 6A F/UTP Riser, Blue, Data – Siemon 9A6R4-A5-06-R1A
 - 2. CAT 6A F/UTP Plenum, Blue, Data – Siemon 9A6P4-A5-06-R1A
 - 3. 50 Pair Category 3 Riser Cable Gray – General Cable 2133161 or equal
 - 4. Fiber Optic Cable, Single-mode, 24 Strand, Armored Indoor/Outdoor Cable, Black – Siemon 9BG8P024L-E201A
 - 5. Fiber Optic Cable, Single-mode, 24 Strand, Armored, Riser Cable, Yellow – Siemon 9BC8P024L-205A
 - 6. Fiber Optic cable, Multi-mode, OM4, 12 Strand, Armored, Riser Cable, Aqua – Siemon 9BC5P012G-T512A (Data Centers must be OM4 or better)
- B. The cable shall support voice, data and imaging applications. The bending radius and pulling strength requirements of all backbone cables shall be observed during handling and installation.
- C. Multi-pair twisted pair cable is intended to support analog voice applications and shall be tested for continuity only.
- D. In addition to meeting the applicable performance specifications, all copper and optical fiber cable shall be appropriate for the environment in which it is installed.

2.2 MEDIA PRODUCTS

- A. COPPER

1. The total channel length between the Campus Distributor/Main Cross-connect and to any floor Distributor/Horizontal Cross-connect shall not exceed the following length limits for copper cabling:
 - a. 2,000 m (6,560 ft) for balanced twisted pair for PBX/Class A (100 kHz) applications.
 - b. 200 m (656 ft) for balanced twisted pair for Class B (\leq 1 MHz) applications.
 - c. 100 m (328 ft) for balanced twisted-pair categories 6, 6A & 7 (per Backbone segment when providing a two-level Backbone).
- B. MULTIMODE OPTICAL FIBER
 1. See Siemon website for supportable fiber distances
 - a. Laser qualified 50/125 μ m multimode fiber optical fiber cables shall be in compliance with the following standards ISO/IEC 11801:2002 OM3, ANSI/TIA-568-C.3, ANSI/TIA-568-C.1 and Telcordia GR-409-CORE as well as the guaranteed application distances, attenuation, bandwidth, and group index of refraction requirements.
 - b. Specifications:
 - 1) Shall support 10GBASE-SX for all horizontal workstations, risers and short length backbone (<300 m) locations.
 - 2) Constructed for overfilled launch (OFL) and restricted mode launch (RML) bandwidth to ensure compatibility with both LED and laser light sources.
 - 3) Have an Aqua Outer Jacket and be available in cable ratings including OFNR and OFNP.
- C. SINGLE MODE OPTICAL FIBER
 1. See Siemon website for supportable fiber distances
 2. Single-mode optical fiber cable shall be used for 1st and 2nd Level Backbone applications only.
 3. All fiber is to fusion spliced terminations.

PART 3 - EXECUTION

3.1 TOPOLOGY

- A. The Backbone cabling shall use a conventional hierarchal star topology.
 1. There shall be no more than two (2) levels of cross-connects between the campus distributor/main cross –connect (CD/MC) and any given floor distributor/horizontal cross-connect (FD/HC).
 2. From the FD/HC no more than one cross-connect shall be passed through to reach the CD/MC.
- B. Splicing of UTP, F/UTP and S/FTP copper cables is not permitted.

3.2 TYPICAL TDR BACKBONE

- A. A typical TDR backbone for a hospital campus shall consist of:
 1. Redundant (2 ea.) 24 strand single-mode fiber each routed in a separate path.
 2. One 50 pair copper feed line.

END OF SECTION

SECTION 271500

HORIZONTAL CABLING

PART 1 - GENERAL

1.1 RELATED DOCUMENTS

- A. Drawings and general provisions of the Contract, including General and Supplementary Conditions and Division 01 Specification Sections, apply to this section.
- B. Section 27 05 28 - Pathways for Communications Systems

1.2 SUMMARY

- A. This section includes requirements and guidelines for the installation of F/UTP, ScTP, and Fiber horizontal cabling.
 - 1. Horizontal cable and its connecting hardware provide the means of transporting signal between the telecommunications outlet/connector and the horizontal cross-connect located in the communications termination room. This cabling and its connecting hardware are called "permanent link," a term that is used in the testing protocols.

PART 2 - EXECUTION

2.1 HORIZONTAL CABLE

- A. Quantity
 - 1. Two horizontal cables shall be routed to each work area. Cable connected to information outlets shall be CAT6A F/UTP, 4-pair, 100Ω balanced twisted-pair.
 - a. A work area is approximately 100 sq. ft. and includes the components that extend from the telecommunications outlet/connectors to the station equipment.
 - b. Two (2) standard cables shall be run to each wireless access point location per current best practice.
 - c. One (1) standard horizontal cable may be run to the following locations:
 - 1) Each building control system enclosure as directed by the building controls vendor.
 - 2) Each IP Video Surveillance Camera at each of the designated locations.
 - 3) Each wall phone.
 - 4) Each wall monitor/display.
 - 2. For voice or data applications, 4-pair balanced twisted-pair or fiber optic cables shall be run using a star topology from the telecommunications room serving that floor to every individual information outlet. The customer prior to installation of the cabling shall approve all cable routes.
 - 3. Installation interfaces shall be T568B wiring standards.
- B. Maximum Length
 - 1. All horizontal cables, regardless of media type, shall not exceed 90 m (295 ft.) from the telecommunications outlets in the work area to the Floor Distributor/Horizontal Cross connect (FD/HC) located in the Telecommunication Room.
 - 2. The combined length of jumpers, patch cords inclusive of equipment cables in the Floor Distributor/Horizontal Cross-connect shall not exceed 5m (16 ft.).
 - 3. The maximum length of Work Area equipment cables shall be 5m (16 ft.) if a

- MuTOA (Multiple User Telecommunication Outlet) environment exists, then the maximum equipment cable shall not exceed 22m (72 ft.) (Lake Park Facility)
5. Terminate all conductors; no cable shall contain un-terminated elements. Make terminations only at indicated outlets, terminals, cross-connects, and patch panels.
- C. Minimum Length
1. It is recommended that a minimum horizontal cable distance of 15m (49 ft.) shall be maintained between the telecommunications room and the work area. This will provide adequate Insertion Loss/Attenuation for applications over 1 Gig.
 2. For installations with consolidation points, a minimum horizontal cable distance of 15m (49 ft.) shall be maintained between the telecommunications room and consolidation point, and 5m (16 ft.) between the consolidation point and the work area. This will provide adequate Insertion Loss/Attenuation for applications over 1 Gig.
- D. Splice Free
1. Each run of balanced twisted-pair cable between Floor Distributor/Horizontal Cross-connect in the telecommunication room and the information outlet at the Work Area shall not contain splices.
 2. Bridged taps and splices shall not be installed in the horizontal cabling
- E. Protection
1. Horizontal distribution cables shall not be run in under slab raceways that are damp or wet locations unless suitably rated for the environment.
 - a. Under slab conduits that are outside of the building are considered wet locations.
- F. Slack -Service Loop – Routing
1. In the work area, a minimum of 1m (3 ft) should be left for balanced twisted-pair cables and fiber cables.
 2. In telecommunications rooms a minimum of 3m (10 ft) of slack should be left for all cable types. This slack must be neatly managed on trays or other support types

2.2 SEPARATION

- A. Separation from EMI sources
1. Installation shall comply with BICSI TDMM and TIA/EIA-569-B for separating unshielded copper voice and data communication cable from potential EMI sources, including electrical power lines and equipment.
 2. Separation between open communications cables or cables in nonmetallic raceways and unshielded power conductors and EMI Source shall be as follows:
 - a. EMI Source Rating Less Than 2 kVA: A minimum clearance of 5 inches.
 - b. EMI Source Rating between 2 and 5 kVA: A minimum clearance of 12 inches.
 - c. EMI Source Rating More Than 5 kVA: A minimum clearance of 24 inches.
 3. Separation between communications cables in grounded metallic raceways and unshielded power lines or EMI Source shall be as follows:
 - a. EMI Source Rating Less Than 2 kVA: A minimum clearance of 2-1/2 inches.
 - b. EMI Source Rating between 2 and 5 kVA: A minimum clearance of 6 inches.
 - c. EMI Source Rating More Than 5 kVA: A minimum clearance of 12 inches.
 4. Separation between communications cables in grounded metallic raceways and power lines and EMI Source located in grounded metallic conduits or enclosures shall be as follows:
 - a. EMI Source Rating Less Than 2 kVA: A minimum clearance of 2 inches.
 - b. EMI Source Rating between 2 and 5 kVA: A minimum clearance of 3

inches.

- c. EMI Source Rating More Than 5 kVA: A minimum clearance of 6 inches.
- 5. Separation between Communications Cables and Electrical Motors and Transformers, 5 kVA or 1 HP and Larger: A minimum clearance of 48 inches.
- 6. Separation between Communications Cables and Fluorescent Fixtures: A minimum clearance of 5 inches
- B. Other Clearances
 - 1. Horizontal pathways used for telecommunications cabling shall be dedicated for telecommunications use and not shared by other building services.
 - 2. In a false ceiling environment, a minimum of 75 mm (3 in) shall be observed between the cable supports and the false ceiling.

2.3 PATHWAY

- A. Cable Tie Wraps
 - 1. Cable Tie Wraps are not permitted as a pathway device or support.
 - 2. Tie Wraps shall only be used to provide strain relief at termination points.
 - 3. Tie wraps shall not be over tightened to the point of deforming or crimping the cable sheath.
- B. Constraints
 - 1. Horizontal cables shall be installed in “dry” locations that provide protection from moisture levels above the intended operating range of inside plant (ISP) cables.
 - a. If cabling is intentionally or unintentionally exposed to water or otherwise coated with or exposed to direct contact with solvents, paints, adhesives, sealants or other third-party materials, Siemon will not warranty the cabling product or if after the warranty has been issued, it would become void. Therefore, any cabling that has been exposed as listed above, must be removed and replaced.
 - 2. Horizontal pathways shall be installed or selected such that the minimum bend radius of horizontal cables is kept within manufacturer specifications both during and after installation.
 - 3. A minimum of a 1” diameter conduit is recommended for new construction. Existing conduits will require the reduction of the number of cables placed in the conduit to meet the required fill ratio.
 - a. The Contractor shall observe the bending radius and pulling strength requirements of the 4-pair balanced twisted-pair and fiber optic cable during handling and installation.
 - 1) 4-Pair UTP, F/UTP, S/FTP bend radius = 4 times outside diameter of cable under no-load conditions. 8 times the outside diameter under load (pulling 110 N/25 lbf.) conditions.
 - 2) Multi-pair or Hybrid cable bend radius = 10 times the outside diameter under all conditions.
 - 3) 2-Fiber and 4 Fiber cables bend radius = 25mm (1 in.) under no-load conditions. 50mm (2 in.) under load (pulling 222 N 50 lbf)
 - 4. Cable shall not be run through structural members or in contact with pipes, ducts, or other potentially damaging items.
 - 5. Cable that passes through non-Intermountain Healthcare spaces must be installed in conduit.
 - 6. Horizontal cabling shall contain no more than one transition point or consolidation point between the horizontal cross-connect and the telecommunications outlet/connector.
 - 7. Do not install bruised, kinked, scored, deformed, abraded cable or otherwise damaged cable. Do not splice cable between termination, tap, or junction points. Remove and discard cable if damaged during installation and replace it with new cable.
 - 8. During Cold-Weather Installation, bring cable to room temperature before de-reeling. Heat lamps shall not be used for heating.
- C. Capacity

1. The number of horizontal cables placed in a cable support or pathway shall be limited to the number of cables that will not alter the geometric shape of the cables.
2. Maximum pathway (cable tray/basket tray/wireway) capacity shall not exceed a calculated fill ratio of 50% to a maximum of 75 mm (3 in) inside depth.
3. Maximum conduit pathway capacity shall not exceed a 40% fill. However, perimeter and furniture fill are limited to 60% fill for move and changes. A 40% fill ratio is the maximum fill for CAT6A F/UTP cables.
4. All unused cables shall be removed
 - a. Or labeled at both ends designating future purpose and locations of each end.

END OF SECTION

SECTION 271513

COPPER CABLE

PART 1 - GENERAL

1.1 RELATED DOCUMENTS

- A. Drawings and general provisions of the Contract, including General and Supplementary Conditions and Division 01 Specification Sections, apply to this Section.

1.2 PALLETTE

- A. Color palette shall be in accordance with Section 27 05 53

1.3 SUMMARY

- A. This Section covers approved F/UTP cable types
- B. Systems shall be CAT6A F/UTP unless a written deviation has been approved.
- C. CAT6A UTP and CAT6A F/UTP shall not be mixed on the same campus.
- D. This cable shall be used for both voice and data applications and shall be plenum rated where required by code

PART 2 - PRODUCT

2.1 APPROVED PRODUCT

- A. TYPE 6A F/UTP (foil over unshielded twisted pair) - Siemon
 - 1. CAT 6A F/UTP Riser, (CMR) – Siemon 9A6R4-A5-(XX)-R1A
 - 2. CAT 6A F/UTP Plenum, (CMP) – Siemon 9A6P4-A5-(XX)-R1A
 - a. (XX) = Color – 06, Blue – 05, Yellow – 09, Orange

END OF SECTION

SECTION 271543

FACEPLATES AND CONNECTORS

PART 1 - GENERAL

1.1 RELATED DOCUMENTS

- A. Drawings and general provisions of the Contract, including General and Supplementary Conditions and Division 01 Specification Sections, apply to this Section.

1.2 DEFINITION

- A. Work-Area Cabling
 - 1. The work area is comprised of work area outlet/connectors, faceplates, outlet boxes and equipment cords. It acts as the interface to the horizontal cabling from the horizontal cross-connect (HC) to telephone, network equipment, wireless access points (WAP) and OIP devices.

PART 2 - PRODUCT

2.1 OUTLETS

- A. Category 6A Jack – Siemon Z6A-S(XX)
 - 1. Use (XX) to specify color.
 - 2. Universal design allows the same outlet to be mounted in a flat or angled orientation.
- B. Category 6A Z-Plug WO Latch Protector – Siemon ZP1-6AS-(00)S
- C. Voice Outlet, Single Gang Faceplate, White W/Wall Hung Phone W/6A Insert – Siemon MX-WP-Z6AS-SS

2.2 FACEPLATES/BOXES

- A. 10G Single Gang Faceplate, White, 4 Position – Siemon 10GMX-FP-04-02
- B. MAX Single Gang Faceplate, White – Siemon MX-FP-S-(XX)-02
 - 1. USE (XX) to specify the number of ports.
- C. MAX Single Gang Faceplate, Stainless Steel, 4 Position, with Label Holder – Siemon MX-FP-S-04-SS-L
 - 1. To be used in the Operation Rooms
- D. Surface Mount Box, White, 2 Position – Siemon MX-SMZ2-02
- E. Furniture Faceplate, Black – Siemon MX-UMA-01
- F. Conference Room Table Inserts should include and HDMI port.

PART 3 - EXECUTION

3.1 WORK AREA TERMINATION

- A. All balanced twisted-pair cables wired to the telecommunications outlet/connector, shall have 4-pairs terminated in eight-position modular outlets in the work area. All pairs shall be terminated.
- B. Outlet/connector back boxes shall be a minimum 4-11/16 square box (4-11/16" x 4-11/16" x 3") with a minimum single gang 5/8" mud ring for new construction to accommodate the CAT6A connectors.
- C. Existing back boxes will require a faceplate stand-off and/or a faceplate that can accommodate a bezel to extend the CAT6A jack out to allow the installation of the CAT6A connectors.

- D. All outlets need to be installed in the angled position.

END OF SECTION

SECTION 271619

PATCH CABLES

PART 1 - GENERAL

1.1 SUMMARY

- A. This section is issued as a guide for patch cable installations in the Data Center, wiring closets (TDR) and user areas where patch cables are required for connectivity to IP and TDM phones, and IP data connectivity needs for Intermountain Healthcare. All patch cables will support voice, data, and imaging applications within the Intermountain Healthcare Enterprise.

PART 2 - PRODUCTS

2.1 APPROVED PRODUCT

- A. Patch Cable, CAT 6A Shielded - Siemon SP6A-S (XX)-(XX)
1. Use 1st (xx) to specify length. Use 2nd (xx) for color.
- B. Patch Cable, CAT 5e, Orange – Siemon MC5-(XX)-0909
1. Use (xx) to specify length. For use with NURSE CALL only.
- C. Patch Cable, CAT 5e, White – Siemon MC5-(XX)-0202
1. Use (xx) to specify length.
2. For use in the TEC for the Copper Backbone Patch only.
- D. Patch Cable, Fiber, Singlemode Duplex W/LC Connectors, Yellow – Siemon FJ2-LCULCUL-(xx)
1. Use (xx) to specify length.
- E. Patch Cable, Fiber, Multimode Duplex W/LC Connectors, Aqua – Siemon FJ2-LCLC5V-(xx)AQ
1. Use (xx) to specify length. For use in the Data Center.

PART 3 - EXECUTION

3.1 PALLETTE

- A. Patch Cable Color Codes
1. The Intermountain Healthcare Enterprise standard for patch cable color is in Section 27 05 53.
2. The patch cable color shall match the feed cable color to identify the service provided.
- B. Contractor furnished
1. All patch cables for the TEC, TDR's shall be included in the low voltage contract and will be required to match or exceed the existing level of the installed structured cabling system.
2. All patch cables for the user areas shall be Owner furnished and will be required to match or exceed the existing level of the installed structured cabling system.
3. All patch cables shall be Owner installed.
4. The quantity of patch cables to be provided by the low voltage contractor shall be specified in the plans.
a. 50% 5ft – 30% 7ft – 15% 10ft – 5% 15ft

END OF SECTION

SECTION 275113

OVERHEAD PAGING

PART 1 - GENERAL

1.1 RELATED DOCUMENTS

- A. The Primary Division 27 subcontractor shall be accountable to closely coordinate the Overhead Paging system with the General Contractor.
 - 1. Division 27 is accountable for including the cabling, equipment, and installation thereof in their work; based upon the project drawings.
- B. Drawings and general provisions of Contract, including General and Supplementary Conditions and Division 1 Specification Sections, apply to this Section.
- C. Requirements of the following Division 26 Sections apply to this Section:
 - 1. Basic Electrical Requirements.
 - 2. Basic Electrical Materials and Methods.

1.2 SUMMARY

- A. This Section includes the installation of an overhead paging system that shall be accessible through the telephone system. It includes requirements for paging system components including, but not limited to, the following:
 - 1. Speaker systems.
 - 2. Wiring
- B. This section requires that rough-in materials for this section be provided by the Division 26 installer for installation under Division 26. Rough-in materials include but are not limited to conduit, junction boxes, alternative raceway, and device enclosures. Cable for this section is to be provided by the Division 27 installer.

PART 2 - PRODUCTS

2.1 MANUFACTURERS

- A. Manufacturers: Subject to compliance with requirements, provide products by one of the following (for each type of product) as listed in the drawings and these specifications:
 - 1. Atlas Sound
 - 2. Bogen
 - 3. Quam

2.2 SYSTEM REQUIREMENTS

- A. General: Provide complete and fully functional overhead paging systems using materials and equipment of types, sizes, ratings, and performances as indicated. Use materials and equipment that comply with referenced standards and manufacturers' standard design and construction in accordance with published product information. Coordinate the features of materials and equipment so they form an integrated system with components and interconnections matched for optimum performance of specified functions.

2.3 EQUIPMENT AND MATERIALS

- A. General: Provide all solid-state components fully rated for continuous duty at the ratings indicated or specified. Select equipment for normal operation on input power supplied at 105-130 V, 60 Hz.

- B. Loudspeakers shall be an 8" dual cone type with a 10-ounce, ceramic magnet. Power handling rating shall be 5 watts continuous with a sensitivity of 94 dB at 1 meter/1 watt and frequency response of +/- 5 dB from 80 to 15,000 Hz. The speaker shall have an impedance of 8 ohms and be equipped with a 70-volt matching transformer with power taps from 0.5 to 4 watts. Recessed ceiling mounted speaker assemblies shall mount on an Atlas Sound T720-8-A or similar baffle on a T95-8 series or similar enclosure.

PART 3 - EXECUTION

3.1 EXAMINATION

- A. Examine conditions, with the Installer present, for compliance with requirements and other conditions affecting the performance of the Overhead Paging System work.
- B. Do not proceed until unsatisfactory conditions have been corrected.
- C. Verify compliance of the following items before beginning sound equipment installation.
 - 1. No cables spliced except at standard barrier terminal blocks inside equipment cabinet.
 - 2. Cables marked at each end with permanent wire labels such as Brady or equal.
 - 3. Isolated ground run back to main electrical panel from paging equipment cabinet.
 - 4. Specified conduit, cables, speaker enclosures and equipment cabinets are properly installed.

3.2 INSTALLATION

- A. General: Install system in accordance with NFPA 70 and other applicable codes. Install equipment in accordance with manufacturer's written instructions.
- B. Speakers:
 - 1. Confirm polarity of speaker before installation and wire to maintain uniform polarity.
 - 2. Mount transformers with screws securely to speaker brackets or enclosures.
 - 3. Neatly mount speaker grilles, panels, connector plates, etc., tight, plumb, and square unless indicated otherwise on drawings.
 - 4. Provide brackets, screws, adapters, springs, rack mounting kits, etc., recommended by manufacturer for correct assembly and installation of speaker assemblies and electronics components.
 - 5. Identification:
 - a. Legibly identify user operated system controls and system input/output jacks using engraved, permanently attached laminated plastic plates or imprinted Lexon labels. Label equipment and controls within equipment cabinet using similar labels or "Kroy" type labels.
- C. Repairs: Wherever walls, ceilings, floors, or other building finishes are cut for installation, the contractor shall be responsible to repair, restore, and refinish to original appearance.

3.3 FIELD QUALITY CONTROL

- A. Manufacturer's Field Services: Provide services of a factory authorized service representative to supervise the field assembly and connection of components and the pre-testing, testing, and adjustment of the system.
- B. Pre-testing: Upon completing installation of the system, align, adjust, and balance the system and perform a complete pretest. Determine the conformance of the system to the requirements of the Drawings and Specifications. Correct deficiencies observed. Replace malfunctioning or damaged items with new, and retest until materials satisfactory performance and conditions are achieved.

3.4 COMMISSIONING

- A. Occupancy Adjustments: When requested by the Architect or the Sound/Acoustical Consultant within one year of date of substantial completion, provide on-site assistance in adjusting sound levels, resetting matching transformer taps, and adjusting controls to suit actual occupied conditions. Provide two trips for this purpose.

3.5 CLEANING AND PROTECTION

- A. Prior to final acceptance, clean system components and protect from damage and deterioration.

END OF SECTION

SECTION 275319**INTERNAL CELLULAR, PAGING
AND ANTENNA SYSTEMS****PART 1 - GENERAL****1.1 RELATED DOCUMENTS**

- A. Drawings and general provisions of Contract, including General and Supplementary Conditions and Division 1 Specification Sections, apply to this Section.
- B. Requirements of the following Division 26 Sections apply to this Section:
 - 1. Basic Electrical Requirements.
 - 2. Basic Electrical Materials and Methods.

1.2 SUMMARY

- A. This Section includes the installation of a complete distributed antenna system (DAS).
- B. This section requires that rough-in materials for this section be provided by the Division 26 installer for installation under Division 26. Rough-in materials include but are not limited to conduit, junction boxes, and device enclosures. Cable for this section is to be provided by the DAS (Distributed Antenna System) installer.

PART 2 - PRODUCTS**2.1 MANUFACTURERS**

- A. Approved Vendor & Installer
 - 1. Hunt Electric
 - 2. Anchorcom LLC
 - 3. Cache Valley Electric

2.2 SYSTEM REQUIREMENTS

- A. General: Provide complete and fully functional DAS system using materials and equipment of types, sizes, ratings, and performances as indicated. Use materials and equipment that comply with referenced standards and manufacturers' standard design and construction in accordance with published product information. Coordinate the features of materials and equipment so they form an integrated system with components and interconnections matched for optimum performance of specified functions.

PART 3 - EXECUTION**3.1 INSTALLATION**

- A. General: Install system in accordance with NFPA 70 and other applicable codes. Install equipment in accordance with manufacturer's written instructions, and UL, ETL, CSA and other applicable listings.

- B. Install equipment located in TDRs in the assigned rack.
- C. The location of wall mounted equipment will be coordinated with the Data Center Operations.
- D. Specific power requirements will be provided at the beginning of the project.

3.2 FIELD QUALITY CONTROL

- A. Pre-testing: Upon completing installation of the system, align, adjust, and balance the system and perform a complete pretest. Determine the conformance of the system to the requirements of the Drawings and Specifications. Correct deficiencies observed. Replace malfunctioning or damaged items with new, and retest until materials satisfactory performance and conditions are achieved.
- B. Provide a heat map of the facility before and after installation is required.

3.3 COMMISSIONING

- A. Occupancy Adjustments: When requested by the Architect or the Electrical Consultant within one year of date of substantial completion, provide on-site assistance in adjusting levels to suit actual occupied conditions. Provide two trips for this purpose.

3.4 CLEANING AND PROTECTION

- A. Prior to final acceptance, clean system components and protect from damage and deterioration.

END OF SECTION

SECTION 276001**APPENDIX 01 – DEVIATION
REQUEST PROCESS****PART 1 - GENERAL****1.1 DEFINITIONS**

- A. Cable Plant Deviation
 - 1. A business need to not fully comply with the requirements of the “Division 27 – Communications and Structured Cabling Specification document”
- B. Cable Plant Deviation Request form.
 - 1. The document is available from the Facilities Planning team, the Data Center Ops team, or the Infrastructure Cabling team.
 - 2. Usage:
 - a. The deviation request form shall be used if there is a business need to not comply with the requirements of the “Division 27 – Communications and Structured Cabling Specification document”
 - b. The deviation request form should also be used to propose a change to that document. Always verify that you are using the current version of the Standard before requesting a modification.

PART 2 - PROCESS**2.1 STANDARDS MODIFICATION**

- A. Check the box and explain why the standard should be modified.

2.2 ALTERNATE PRODUCT

- A. The deviation form must be completed, submitted through channels, and approved prior to any deviation from the specifications. This includes issuing change orders.

2.3 AUTHORIZED SIGNATURES

- A. Both the Standards Holder and the DCO Manager signatures are required for a deviation to be valid.

2.4 DEVIATION REVIEW PROCESS STEPS

- A. First be sure that there is an actual need. Then be certain that your manager, supervisor, or project manager agrees with the requested deviation. Be sure to state this or obtain their signature on the deviation form. By doing so you are confirming that your supervisor or project manager has approved.
- B. The requestor will then complete sections 1, 2, and 3 of the deviation form.
 - 1. The requestor should then digitally sign in the designated location at the end of Section 3. Do not write in the sections below 3.
- C. Forward the saved copy of this form to the Standards Holder via email.
 - 1. Email to: melissa.lopez2@imail.org
- D. The Standards Holder will then review and evaluate the request. The requestor should be prepared to provide plans, specifications, and competitive bids if requested. Any email threads or meeting discussions regarding the issue will be taken into consideration.

- E. The Standards Holder will then cast an Approve or Deny vote and forward the request to the DCO Manager for a decision.
- F. When the decision has been made by the Operations Manager, the Standards Holder will then notify the requestor by returning the completed and signed form via email.
- G. An approved deviation will have the final disposition button 'Approved' and be signed by at least 2 people. One will be from the Standards Holder, and the other the DCO Manager. Other signatures may be required for specific features and areas such as Safety, Security, Print, Medical group, etc.

PART 3 - EXECUTION

3.1 POST DECISION EXECUTION

- A. DENIED
 - 1. If the requester is not satisfied with the decision, they may file an appeal with the Data Center Operations manager (shawn.folkman@imail.org), who will then escalate the issue to the appropriate business leaders as needed. The decision from the appeal is final.
- B. APPROVED
 - 1. If a deviation is approved for contracted material, labor, or method; the facilities project manager will arrange for fulfillment or contract adjustment as needed via appropriate contract channels such as change orders.

END OF SECTION

SECTION 276002

APPENDIX 02 – DOCUMENT
REFRESH PROCESS

PART 1 - GENERAL

1.1 NOT USED

PART 2 - PRODUCTS

2.1 APPROVED PRODUCT

- A. The purpose of this section is to help ensure a current standards document.
- B. The product delivered will be a current revision or version of the Cable Plant Standards Document.
- C. All changes must be approved by Enterprise Infrastructure Cabling team.

PART 3 - EXECUTION

3.1 REVIEWS AND UPDATES

A. Minor updates

- 1. Changes that do not significantly affect scope of work, or contract pricing will be made, and the Rev number will be updated. (i.e. updated part numbers, etc.)
- 2. Significant changes will be added to the Change Log for review and approval from the DCO/Infrastructure Cabling Team.
 - a. When approved, they will be submitted for approval; and then implemented in the new Version.

B. Major updates

- 1. The DCO/Infrastructure Cabling Team will review the entire document at least once every three years.
- 2. This review will coincide with the release of new versions of NFPA70 (National Electrical Code) (2017, 2020, etc. - to be completed by the end of each designated year).
- 3. The review will cover standards adjustments that may be deemed necessary and ensure compliance with applicable codes and standards.
- 4. Upon completion of the reviews and updates, the standards document will be submitted for approval.

END OF SECTION

SECTION 276003

APPENDIX 03 – DATA CENTER, TEC, TDR PART NUMBERS

ITEM	MANUFACTURER	PART NO.	DESCRIPTION
Blanking Panel	Upsite Hotlok	10031	Blanking Panel 1U
Blanking Panel	Upsite Hotlok	10033	Blanking Panel 2U
UPS	Eaton	9PX1500R	Eaton Powerware 9PX-1500V
UPS Network Card	Eaton	NETWORK-M	Card for 9PX-1500VA
PDU	Eaton	ePBZ79	Horizontal Mount ePDU 208vac
PDU	Eaton	ePBZ82	Horizontal Mount ePDU 120vac
PDU	Server Technology	C1S24VS-YCFA13C9	Vertical 30A PDU (Blue) for TEC
PDU	Server Technology	C1L24VS-YCFA13C9	Vertical 30A PDU (Red) for TEC
PDU	Server Technology	C2SG36TE-YCMFAM66/C	Vertical 30A PDU (Blue) for Data Centers
PDU	Server Technology	C2LG36TE-YCMFAM66/C	Vertical 30A PDU (Red) for Data Centers
PDU	Server Technology	C2SG36TE-DQME2M66/ZB	Vertical 60A PDU (Blue) for Data Centers
PDU	Server Technology	C2LG36TE-DQME2M66/ZR	Vertical 60A PDU (Red) for Data Centers
UPS	Eaton	K41512000000000	Eaton 9155-15kVA UPS
Modbus Card	Eaton	103005425-5591	Eaton Modbus Card X-Slot
Reverse Transfer UPS System	Eaton	9GPV15C0009E00R2	Eaton 93PM-150kW Reverse Transfer UPS System
CRAC Cooling Unit	Liebert	DE363G	
Vertical Wall Mount Cabinets	Legrand	VWMSD-4RU-42-B	42" 12" 4RU Fixed
Vertical Wall Mount Cabinets	Legrand	VWMSD-8RU-42-B	42" 18" 8RU Fixed
Rail Accessories	Legrand	VWM-RR-4RU	Fixed Mounting Rail Kit, 4RU
Rail Accessories	Legrand	VWM-RR-8RU	Fixed Mounting Rail Kit, 8RU
Rail Accessories	Legrand	VWM-PIV-4RU	Pivoting Mounting Rail Kit, 4RU
Fan Kit	Legrand	VWMFK-115	VWM Fan Kit w/115 VAC Fans (includes 2 fans and mounting hardware) (2 kits needed for 8RU cabinet)
VWM Top Brush Grommet Kit	Legrand	VWMBGK	VWM Top Brush Grommet Kit
Circular Knockout Grommet Kit	Legrand	VWMGR-30	Circular Knockout Grommet Kit
Vertical Wall-Mount Cabinets	Hubbell	IR221APG	Refrigerated cabinet 24"
Vertical Wall-Mount Cabinets	Hubbell	IR321APG	Refrigerated cabinet 36"
Vertical Wall-Mount Cabinets	Hubbell	IR421APG	Refrigerated cabinet 48"
Air Conditioners	Hubbell	IRAC1	Air conditioner for Hubbell refrigerated cabinets
Cylinder	Medeco	100500 G	1 ¼" Mortise Cylinder
Cylinder	Medeco	100400H G	Rim Cylinder, Horizontal Tailpiece
Cylinder	Medeco	EA-100108	Small Format Interchangeable Core (SFIC) Cylinder
Cylinder	Medeco	20200S1 G	Cylinder Package for Schlage

Cam Lock	Medeco	EN-150002-219	7/8" Cam Lock Assembly, Key Retaining
Cam Lock	Medeco	EN-150003-219	1 1/8" Cam Lock Assembly, Key Retaining
Cylinder for Legrand cabinet front door	Medeco	232301S 800 G	Modular Profile Cylinder – 30mm Half Profile - Assembled
Electronic Key	Medeco	94-0271	Medeco Slim Line Key (G2) & Charger Bundle
Programming Station for Small Locations	Medeco	EA-100109	Medeco XT Desktop USB Programming Station (not preferred)
Programming Station for Large Locations	Medeco	EA-100158	Medeco XT Wall USB Programming Station (preferred)
Wall Mount for Wall Programmer	Medeco	94-0294	Medeco XT Remote Wall Programmer Wall Mount Kit
Padlock for use with Electronic Cylinder	Master	6842D045KZ	Padlock
Red C20 C19 Dual Lock 12 gauge 6'	Stay Online	5914	Red C20 C19 Dual Lock 12 gauge 6'
Blue C20 C19 Dual Lock 12 gauge 6'	Stay Online	6766	Blue C20 C19 Dual Lock 12 gauge 6'
Red C14 Locking C15 Notched 14 gauge 6'	Stay Online	9144	Red C14 Locking C15 Notched 14 gauge 6'
Blue C14 Locking C15 Notched 14 gauge 6'	Stay Online	9138	Blue C14 Locking C15 Notched 14 gauge 6'
Red C14 C13 Dual Lock 18 gauge 6'	Stay Online	5656	Red C14 C13 Dual Lock 18 gauge 6'
Blue C14 C13 Dual Lock 18 gauge 6'	Stay Online	6694	Blue C14 C13 Dual Lock 18 gauge 6'

SECTION 276004

APPENDIX 04 – REFERENCE STANDARDS

PART 1 - GENERAL

1.1 REFERENCE STANDARDS

- A. Codes and Standards (Most recent editions with addenda/TSB, etc.) All materials, installation and workmanship shall meet or exceed the applicable requirements and standards addressed within the references listed below:
1. ANSI/TIA-568.0-D and addenda "Generic Telecommunications Cabling for Customer Premises
 2. ANSI/TIA-568.1-D and addenda "Commercial Building Telecommunications Cabling Standard
 3. ANSI/TIA-568.2-D and addenda "Balanced Twisted-Pair Telecommunications Cabling and Components
 4. ANSI/TIA-568.3-D and addenda "Optical Fiber Cabling Components Standard"
 5. ANSI/TIA-568.4-D and addenda "Broadband Coaxial Cabling and Components Standard"
 6. ANSI/TIA-569-D and addenda "Telecommunications Pathways and Spaces"
 7. ANSI/TIA-606-C and addenda "Administration Standard for Commercial Telecommunications Infrastructure"
 8. ANSI/TIA-607-D and addenda "Generic Telecommunications Bonding and Grounding (Earthing) for Customer Premises"
 9. ANSI/TIA-758-B "Customer-Owned Outside Plant Telecommunication Infrastructure Standard"
 10. IEEE 802.3at PoE Plus and Next Gen PoE CFI March 2013 and IEEE P802.3ba latest draft revision and amendments.
 11. "Media Access Control Parameters, Physical Layers and Management Parameters for 40 Gbp/s and 100 Gbp/s Operation".
 12. ANSI/TIA-526-7-A "Measurement of Optical Power Loss of Installed Single-Mode Fiber Cable Plant"
 13. ANSI/TIA/EIA-526-14-C "Optical Power Loss Measurements of Installed Multimode Fiber Cable Plant"
 14. ANSI/TIA-942-B "Telecommunications Infrastructure Standard for Data Centers"
 15. ANSI/TIA – 1179-A "Healthcare Facility Telecommunications Infrastructure Standard"
 16. IEC/TR3 61000-5-2 - Ed. 1.0 and amendments "Electromagnetic compatibility (EMC) - Part 5: Installation and mitigation guidelines - Section 2: Earthing and cabling"
 17. ISO/IEC 11801-1 (2017) and amendments "Information technology - Generic cabling for customer premises – PART 1: General Requirements"
 18. EN 50173-1 and amendments "Information Technology - Generic cabling systems – PART 1 General Requirements"
 19. AIA Guidelines for Design and Construction of Hospital and Healthcare Facilities
 20. Construction Specification Institute Master Format
 21. BICSI: Comply with the most current editions of the following BICSI manuals:
 - a. BICSI - Telecommunications Distribution Methods Manual
 - b. BICSI – Installation Transport Systems Information Manual
 - c. BICSI – Network Design Reference Design Manual
 - d. BICSI – Outside Plant Design Reference Manual
 - e. BICSI – Wireless Design Reference Manual

- f. BICSI -Electronic Safety and Security Design Reference Manual
- g. Infocomm/BICSI – AV Design Reference Manual
- 22. Underwriters Laboratories (UL) Cable Certification and Follow-Up Program.
- 23. National Electrical Manufacturers Association (NEMA)
- 24. American Society for Testing Materials (ASTM)
- 25. National Electrical Code (NEC) NFPA70 2020
- 26. National Electrical Safety Code (NEC) 2017
- 27. Institute of Electrical and Electronic Engineers (IEEE)
- 28. UL Testing Bulletin
- 29. Building Industry Consulting Services International (BICSI) Information Transport Systems Methods Manual (ITSMM)
- 30. Local, county, state and federal regulations and codes in effect as of date of installation.
- 31. Equipment of foreign manufacture must meet U.S. codes and standards. It shall be indicated in the proposal the components that may be of foreign manufacture, if any, and the country of origin.

END OF SECTION

SECTION 276005

APPENDIX 05 – DEFINITIONS AND ABBREVIATIONS

PART 1 - GENERAL

1.1

1.2 RELATED TERMS

A.

B. Codes and Standards (Most recent editions with addenda/TSB, etc.) All materials, installation and workmanship shall meet or exceed the applicable requirements and standards addressed within the references listed below:

1. Basket Cable Tray: A fabricated structure consisting of wire mesh bottom and side rails.
2. BICSI: Building Industry Consulting Service International.
3. CBC: Coupled Bonding Conductor
4. CFCI: Customer Furnished Customer Installed
5. Cable Run - A single cable to a single location
6. Cable Drop - Two cables to a single location
7. Cable Tri Drop - Three cables to a single location
8. CT Coupler A type of wall connector made by the Siemon Company
9. DCO: Data Center Operations
10. Div. 1: Division 1 General and Performance Requirements
11. Div. 23: Division 23 Heating, Ventilating, and Air Conditioning
12. Div. 22: Division 22 Plumbing
13. Div. 26: Division 26 Electrical
14. Div. 27: Division 27 Communications and Audio Visual
15. Div. 28: Division 28 Electronic Safety and Security
16. E.E.: Electrical Engineer
17. EMI: Electromagnetic Interference
18. F/UTP: Foil over Unshielded Twisted Pair. Individual pairs are unshielded.
19. GC: General Contractor
20. GE: Ground Equalizer
21. Horizontal Cabling: The cable and connecting hardware utilized to transport communications signals
22. ICT: Infrastructure Cabling Team
23. LAN: Local Area Network
24. N/A: Not Applicable
25. NIC: Not in Contract
26. OFCI: Owner Furnished Contractor Installed
27. OFOI: Owner Furnished Owner Installed
28. OTDR: Optical Time Domain Reflectometer
29. Outlet/Connectors: A connecting device in the work area on which horizontal cable or outlet cable terminates.

- 30. RCDD: Registered Communications Distribution Designer
- 31. RFI: Radio Frequency Interference
- 32. TBA or TBD: To Be Determined
- 33. TDR: Technology Distribution Room
- 34. TEC: Technology Equipment Center
- 35. TGB: Telecommunications Ground Bus Bar
- 36. TMBC: Telecommunications Main Bonding Conductor
- 37. TMGB: Telecommunications Main Grounding Bus Bar
- 38. TSER: Telecommunications Service Entrance Room
- 39. UTP: Unshielded Twisted Pair
- 40. Work Area: approx. 100 sq. ft. equipped for workstation equipment
- 41.
- 42. DCO = Data Center Operations – Boe.Sausedo@imail.org
- 43. ICT = Information and Communications Technology –
Melissa.Lopez2@imail.org
- 44.
- 45.
- 46. END OF SECTION

SECTION 276006

APPENDIX 06 – MATERIAL SUPPLIERS

PART 1 - GENERAL

1.1 RELATED TERMS

- A. Siemon Authorized Suppliers are listed below. To help prevent counterfeiting and support warranties, known, factory authorized distributors are recommended.
1. Approved Suppliers of Siemon cable, patch panels, jacks, and parts:

Anixter

Randi Whittaker
Inside Sales Main Phone: (801) 973-2121
3775 W. California Ave. Ste 400 Fax: (801) 973-4472
Salt Lake City, UT 84104 US Email: randi.whittaker@anixter.com

Karl Bartlam
End User/Outside Sales Main Phone: (801) 973-2121
3775 W. California Ave. Ste 400 Fax: (801) 973-4472
Salt Lake City, UT 84104 US Email: karl.bartlam@anixter.com

Graybar Electric

Elizabeth Vaughn
Inside Sales Main Phone: (801) 656-3016
2841 South 900 West Fax: (801) 973-4314
Salt Lake City, UT 84119 US Email: Elizabeth.Vaughn@graybar.com

Erika Morrison
Contractor Outside Sales Main Phone: (801) 656-3014
2841 South 900 West Fax: (801) 973-4314
Salt Lake City, UT 84119 US Email: Erika.Morrison@graybar.com

WESCO / CSC

Brian Walters
Inside Sales Main Phone: (801) 975-0600
3210 South 900 West Fax: (801) 907-4450
Salt Lake City, UT 84119 US Email: Bwalters@gocsc.com

Adam Tueller
Contractor Outside Sales Main Phone: (801) 975-0600
3210 South 900 West Direct: (801) 618-6665
Salt Lake City, UT 84119 US Email: Atueller@wesco.com

- B. The Siemon Company is represented locally by: Marc.Lovestrand@Siemon.com

END OF SECTION

SECTION 276007

APPENDIX 07 – SIEMON CERTIFIED
INSTALLATION FIRMS

PART 1 - GENERAL

1.1 RELATED TERMS

- A. NOTE: Cable installers have rigorous requirements to be certified for Siemon cables and products. Validation of certification is required prior to accepting a bid.
- B. The firms selected to bid must be pre-approved by the local facility IT manager. Installation firms desiring to do work for Intermountain Healthcare must be selected from the official CI list below.
- C. Current Siemon Approved/Certified Cable Installers for Siemon Network Cable. This list is up to date as of 2018-12-01.
1. **Orion Integration Group:** 8880 W. Barnes Street, Boise, ID 83709 / Phone 208 321 8000
 2. **ACS Systems:** 925 North Main St. Meridian, ID 83642 / Phone 208 331 8554
 3. **IES Commercial:** 1960 S. Milestone, Suite D, Salt Lake City, UT 84104
 - a. Jason King – Branch Manager // Phone 801 975 8182 / Fax 385 242 7366 / Mobile 801 381 1508 // Jason.King@iescomm.com / www.iescomm.com
 - b. Boyd Evans – Project Manager // Phone 801 975 8191 / Fax 385 242 7366 Mobile 801 381 1518 // Boyd.Evans@iescomm.com / www.iescomm.com
 4. **Cache Valley Electric:** 1338 S. Gustin Rd., Salt Lake City, UT 84104
 - a. Travis Grant – Acct. Manager // Phone 801 908 4170 / Fax 801 908 7401 Mobile 801 870 7226 // Travis.Grant@cve.com / www.cve.com
 - b. Brad Readicker – Acct. Manager // Phone 801 908 2686 / Fax 801 908 7401 // Brad.Readicker@cve.com / www.cve.com
 5. **Data Tech Professionals:** 1199 S 520 W, Payson, UT 84651
 - a. Jesse Pierce – President // Phone 801 960 2202 / Mobile 801 420 0463 Jesse@datatechprofessionals.com / www.datatechprofessionals.com
 6. **Hunt Electric, Inc.:** 1863 W. Alexander St., Salt Lake City, UT 84119
 - a. Darrin Guevara – Division Manager // Phone 801 975 8844 Darrin@huntelelectric.com / www.huntelelectric.com
 7. **NCNS Communications:** 419 West Universal Circle, Sandy, UT 84070
 - a. Jayson Nosack – Owner // Phone 801 361 4572 Jnosack@ncns-co.com / www.ncns-co.com
 8. **Data Plus:** 769 Middlegate Road, Henderson, NV 89118
 - a. Chris Tettamanti – Project Manager // Phone 702 795 3282 Chris@dpcnv.com
 9. **Bombard Electric:** 4380 West post Road, Las Vegas, NV 89118
 - a. Bob Reese – Project/Division Manager // Phone 702 263 3570 Bob.reese@bombardelec.com / www.bombardelectric.com
 10. **Rosendin Electric:** 7470 Dean Martin Dr. #112, Las Vegas, NV 89139
 - a. Cora Shadbolt – Assistant Project Mgr. // Phone 702 258 1443 cshadbolt@rosendin.com
 - b. Adrian Youngblood – Sr. Estimator // Phone 702 258 1455 ayoungblood@rosendin.com
 - c. Breck Hardesty – Sr. Project Mgr. // Phone 702 258 1428 bhardesty@rosendin.com / www.rosendin.com
 11. **Mojave Electric:** 3755 W. Hacienda Ave., Las Vegas, NV 89118 Phone 702 798 2970

12. **The Morse Group:** 3874 Silvestri Lane, Las Vegas, NV 89120
Phone 702 257 4400

END OF SECTION

SECTION 276008

APPENDIX 08 – LEAD WALL PENETRATIONS

PART 1 - GENERAL

1.1 RELATED DOCUMENTS

- A. Sections 13090 & 134900

1.2 RELATED TERMS

Procedure Name: New Port and Electrical Box Installation Lead Lined Walls

Document Detail Information: (This section must be completed in full.)

Implements Policy:	Click here to enter policy title		
Content Owner	Craig Allen, Safety Security Environment Health Director, Central Office Jeremy Hawk Medical Physicist Radiation Safety Coordinator	Content Consultant(s):	Jeremy Hawk, Radiation Safety Officer, Medical Physicist Imaging John Ellis, Facilities Management Director, Central Office Steve Kelly, System Project Facility Design Manager, Planning Melissa Lopez, Cabling, IS
Date of Final Draft:	12/29/2015	Who Reviewed Content?	<Name, Title, Dept> <Name, Title, Dept> <Name, Title, Dept> <Committee Name>
Keywords (must have at least 3):	Searchable Keywords (e.g., PHI, EMTALA, Coding)		

1.3 PURPOSE

- A. Maintain radiation safety controls in lead lined walls during installation of new power and data outlets in existing lead lined walls.

1.4 SCOPE

- A. Intermountain Hospitals, Intermountain Clinics Medical Group

1.5 DEFINITIONS

- A. Lead lined Walls – Structured element designed to provide a barrier to block radiation penetration beyond the designated space.
- B. Maintenance Manager – The person responsible for plant maintenance operations or his/her delegate.
- C. Radiation Safety Coordinator – The person responsible for Radiation Safety or his/her

Delegate. Medical Physicist.

- D. Worker – The person responsible for completing work with the lead lined wall. This includes Intermountain Employees as well as any outside supplier or contractor.

1.6 PROVISIONS

- A. The Radiation Safety Program is following Utah regulation R313-15-101, R313-28 and U.S. Nuclear Regulatory Commission Regulation 1- CFR Part 20-1101.

1.7 PROCEDURE

- A. Prior to any work within a lead lined wall, the Worker reports to the Radiation Safety Coordinator, Maintenance Manager and completed a review of planned work “ACWP” Identification of specific description related to the lead lined wall planned work.
1. Intermountain workers, outside suppliers or contractors hired to work in any Intermountain facility must contact the Maintenance Manager and Radiation Safety Coordinator prior to beginning work to discuss the project and ensure that the planned work will not interfere with facility operations, maintenance, or other projects.
 2. Failure to scheduled and complete the planning meeting described above may results in the delay or rescheduling of work. Outside suppliers or contractors are responsible for any costs incurred because of their failure to schedule and complete this meeting.
- B. The Radiation Safety Coordinator, Maintenance Manager and the worker conduct a pre-work inspection of the areas in which work is to be performed. This inspection identified the following:
1. Areas of special concern or sensitivity, including those noted or described on the facility Life Safety records and drawings, and Radiation Safety records and drawings.
 2. Appropriate areas or structures to use for support of any work, as applicable.
 3. Existing deficiencies in Barriers.
 4. The as act assemblies impacted by the work.
 5. The type of shielding material acceptable in the area.
 - a. Lead lined boxes
 - b. Lead lined wall “inside wall” installation, and OR
 - c. Lead shielding for wall installation of “outside wall” maintaining radiation safety barriers.
 6. The exact condition of the areas upon completion of work.
- C. Upon completion of the work and before closing the wall, the worker, Radiation Safety Coordinator and Maintenance Manager conduct a post-work inspection of the area in which the work was performed, this inspection verifies the following:
1. No Tools, Supplies or debris are left within the walls.
 2. Lead lining is installed to maintain radiation safety protection according to regulatory requirements.
 3. All work affecting Radiation Safety Lead Barriers has been properly sealed.
 4. The overall condition of the area meets the expectation outline in the per-work inspection.
- E. The Maintenance Manager and Radiation Safety Coordinator signs and logs the completed “ACWP”

1.8 EXCEPTIONS

- A. None.

1.9 PRIMARY SOURCES

- A. List the regulatory references upon which the procedure is based (cite the code, the title, and the statute).

1.10 SECONDARY MATERIALS

- A. Radiation Safety Policy
- B. Above Ceiling Work Permit
- C. Lead lined wall requirements as defined by Radiation Safety Building Requirements



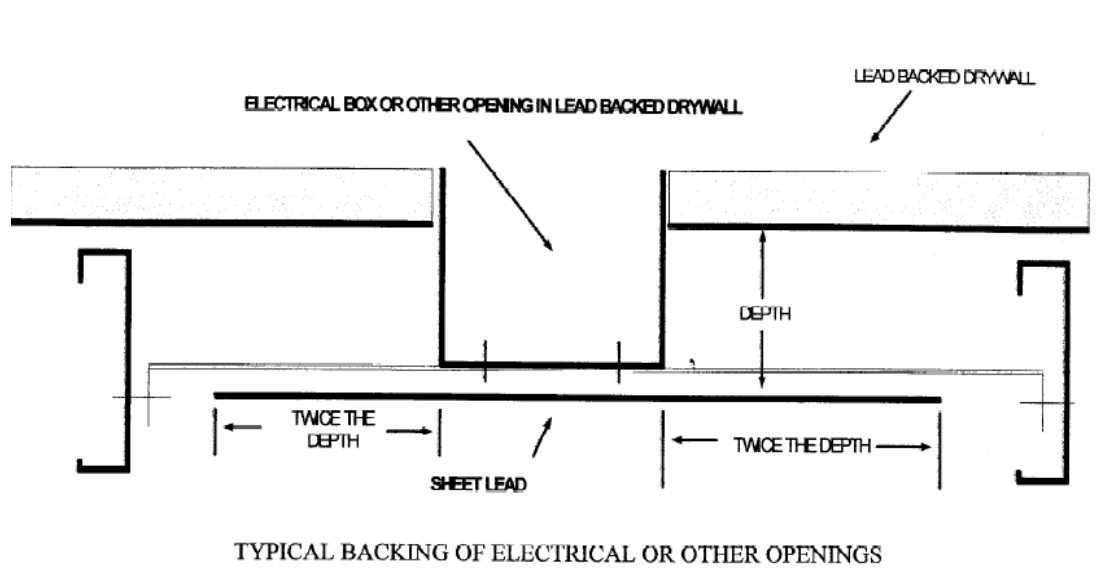
Option 1: worker to install new power utility wall box and add Lead Lining to wall behind box
If worker can access posterior wall entry



Option 2: worker to install new power utility wall box – box is lead lined by manufacturer



Option 3: worker to install new power utility wall box - no additional lead lining required if installation does not disrupt the existing shielding



END OF SECTION

SECTION 28 13 00**ACCESS CONTROL****PART 1 - GENERAL****1.1 RELATED DOCUMENTS**

- A. Drawings and general provisions of the Contract, including General and Supplementary Conditions and Division 01 Specification Sections, apply to this Section. User selected installer: Convergent.

1.2 SUMMARY

- A. This section includes the installation of a new PC based and managed access control and security system (Lenel) and specifies sensors, signal equipment, and system controls.
- B. The electrified locking and access hardware for this project is specified using ASSA ABLOY products that will require the security contractor to provide integrated access control connection locking devices and wire harnesses.

1.3 DEFINITIONS

- A. Hard-Wired System: Alarm, supervisory, and detection devices are directly connected, through individual dedicated conductors, to central control panels.

1.4 SYSTEM DESCRIPTION

- A. The system shall have both access controlled doors and alarm inputs for intrusion detection.
- B. The system shall support automatic responses to alarms entering the system. Each alarm condition shall be capable of initiating numerous events including but not limited to: Activation of remote devices, door control, remote annunciation LED's, and card validation.
- C. Access control functions shall include but not be limited to: Validation based on time of day and day of week, holiday scheduling with card validation override, and access validation based on positive verification of card.
- D. The system shall interface with the fire alarm system and in the event of an alarm, shall release all controlled doors designated for emergency egress, and put them in fail-safe mode allowing free egress.

1.5 FUNCTIONAL PERFORMANCE

- A. The system shall consist of a network controller and network nodes using a standard TCP/IP network. Each controller shall retain all data necessary for system operation in its own RAM. Each controller will contain an integrated real time clock that continues to govern events even if communication with the main network controller is interrupted.

- B. The network controller shall act as an interface point with the node network, a data base management tool, and a transaction storage device.

1.6 ACTION SUBMITTALS

- A. General: Submit the following according to Conditions of Contract and Division 1 Specification Sections
- B. Product data for system components, including "Nationally Recognized Testing Laboratory" (NRTL) listing data and list of materials, dimensioned plans, sections, and elevations showing minimum clearances, mounting arrangements, and installed features and devices.
- C. Wiring Diagrams and Door Elevations: Provide the following for each opening having electric hardware, except doors with only magnetic holder/release units.
 - 1. Wiring diagrams for scheduled items requiring power. Identify manufacturer-installed and field-installed wiring.
 - 2. Provide load calculations and requirements for each electro-mechanical locking device within +/- 5% of 24 VDC. Size the conductors for each device appropriately to maintain this requirement.
 - 3. Provide cable type (as indicated on the Shop Drawings Wire Legend) that is used for each electro-mechanical locking device, the conductor size, the estimated total length of cable, the estimated line loss (voltage drop), and the percentage of estimated line loss (voltage drop).
- D. System operation description, including method of operation and supervision of each component and each type of circuit, and sequence of operations for all manually and automatically initiated system inputs. Description must cover this specific Project; manufacturer's standard descriptions for generic systems are not acceptable.

1.7 CLOSEOUT SUBMITTALS

- A. Operation and maintenance data for inclusion in "Operating and Maintenance Manual" specified in Division 01. Include data for each type product, including all features and operating sequences, both automatic and manual. Include user's software data and recommendations for spare parts to be stocked at the site. Provide names, addresses, and telephone numbers of service organizations that stock repair parts for the system.
- B. Product certifications signed by the manufacturers of system components certifying that their products comply with the referenced standards.
- C. Separate Qualification Data for Manufacturers and Installers: Demonstrate their capabilities and experience as specified in Quality Assurance Article. Include lists of completed projects with project names and addresses, names of Contracting Officer and Government representatives, plus other information specified.
- D. Record of field tests of system.

1.8 QUALITY ASSURANCE

- A. Comply with NFPA 70, "National Electrical Code."
- B. Listing and Labeling: Provide system and components that are listed and labeled for their indicated use and location on the Project.
 - 1. The Terms "Listed" and "Labeled": As defined in the "National Electrical Code," Article 100.

2. Listing and Labeling Agency Qualifications: A "Nationally Recognized Testing Laboratory" (NRTL) as defined in OSHA Regulation 1910.7.
- C. Comply with UL Standard 609, 1023, and 1076.
- D. FM Compliance: Provide FM approved card access system and components.
- E. Single Source Responsibility: Obtain system components from a single source (the prime system manufacturer) that assumes responsibility for system components and for their compatibility.

1.9 COORDINATION

- A. Access Control System Electrical Coordination: Coordinate with the layout and installation of scheduled electrified door hardware, and related access control equipment, with required connections to source power junction boxes, power supplies, detection and monitoring hardware and fire alarm system.
 1. Door Hardware Interface: The card key access control system to interface and be connected to electronic door control hardware (electromechanical locks, electric strikes, magnetic locks, door position switches, other monitoring contacts, and related auxiliary control devices) as described under Division 8 "Door Hardware". Coordinate with the installation and configuration of specified door hardware being monitored or controlled with the controls, software and access control hardware specified in this Section.
 2. Access Control Hardware Sets: The hardware sets listed represent the design intent and direction of the owner and architect. They are a guideline only and should not be considered a detailed hardware schedule. Discrepancies, conflicting hardware and missing items should be brought to the attention of the architect with corrections made prior to the bidding process. Omitted items not included in a hardware set should be scheduled with the appropriate additional hardware required for proper application and functionality. **Refer to Section 087100 Door Hardware Schedule for hardware set information.**
- B.

PART 2 - PRODUCTS

2.1 MANUFACTURERS

- A. Manufacturers: Subject to compliance with requirements, provide products by one of the following:
 1. Lenel

2.2 ACCESS CONTROL SYSTEM EQUIPMENT, GENERAL

- A. Surge Protection: Comply with minimum requirements of UL Standard 1449, "Transient Voltage Surge Suppressors," for each component using solid state devices and having a line voltage power source connection or an exterior underground signal connection.
- B. Provide at the locations identified, a complete and operational Access Control and Security System including but not limited to the following equipment:
 1. Card Readers
 2. Door Logic Panels

3. Relay output contacts
 4. All power supplies and/or transformers
 5. All equipment, security devices, components, wire, cable, and mounting hardware as required to meet specification requirements and manufacturers documented installation procedures.
- C. Provide the quantity of new door licenses to the existing Lenel building package to accommodate the increased number of readers being added as part of this project.
- 1.

2.3 PHYSICAL SECURITY APPLIANCE

- A. Physical Security Appliance (ACS): Stand-alone, modular multi-reader access controller shall be provided for standard door opening access control. The appliances shall communicate to the main system server using Ethernet TCP/IP, and shall serve as the data collection and communications interface between the system server and the various field devices such as card readers, alarm inputs and control outputs.
- B. Power Requirements: Each Physical Security Appliance (ACS) shall accept a power input voltage of 120 VAC, 60Hz. Maximum power draw shall be no more than 300W. The ACS shall generate appropriate DC voltage levels for on-board use as required. External lock power supplies shall be required and sized for the appropriate number of locks (plus 20%) associated with each distributed controller. All power outputs to external devices shall be current limited in accordance with class 2 power limited wiring standards
- C. Battery Backup: The power supplies inherent in the ACS shall have the capability of charging standard gel-cell batteries, and shall be capable of operating on direct battery backup. The ACS shall be capable of providing at least four hours of full operation backup time, and shall be capable of recharging its batteries in less than 48 hours. Batteries shall be mounted in a separate, dedicated battery shelf sized to contain the amount of batteries required.

2.4 ELECTRICAL POWER

- A. Normal System Power Supply: 120 V 60 Hz from locked disconnect device. System components are supplied with power through separate power supplies. Provide all required power supplies and associated transformers as specified by the manufacturer.
- B. Power Source Transfer: When normal power is interrupted, system is automatically switched to backup supply without degradation of critical system function or loss of signals or status data.
1. Backup Source: Batteries in power supplies of individual system components. Such batteries are an integral part of power supplies of the components.
 2. Annunciation: Switching of the system or any system component to backup power is indicated as a change in system condition.

2.5 CARD ACCESS SYSTEM HARDWARE, GENERAL

- A. Types, features, accessories, and mounting conditions of individual devices are as indicated.
- B. Battery Backup: The access control panel shall be provided with back up battery power for up to four hours operation upon loss of AC power.
- C. Suppression: The access control panel shall have provisions for relay suppressor kits for each relay used, to protect the access control panel from collapsing electrical fields.

- D. **Card Readers:** Card readers shall be HID class seos proximity readers.
1. **Proximity Readers:** The system shall be provided with uni directional proximity card readers. The standard multiClass readers shall have a read range of five to eight inches. The reader shall be able to be mounted with its sides against metal door or window frames, and masonry walls. Long range readers mounted at vehicle gates shall have a minimum 10 inch read range.

2.6 POWER SUPPLIES

- A. Provide power supplies as per manufacturers written recommendations with total number of powered devices for each power supply restricted to only consuming 75 percent of the power supplies rated amperage. Provide separate power supplies for system controllers (As per manufacturer), card readers (12VDC, 5 A), and locks (24 VDC, 7 A).

2.7 CONTACT INDICATOR SWITCHES

- A. Contact indicators on overhead doors that are not supplied by the door manufacturer shall be Sentrol series 2300 type surface mounted magnetic reed type switches with opposing magnet, and shall be per manufacturer's recommendations for the type of door.

2.8 WIRE AND CABLE

- A. Cables: Bundled, shielded and unshielded, twisted-pair cable, shielded where manufacturer recommends shielded cable.
1. Specified Manufacturer: Provide the specified product or prior approved equal.
 - a. Coleman Cable Inc. (CCI) Part Number 73101 consisting the following cables bundled plenum rated within a yellow Low Smoke PVC, CMP/CL3P/FPLP jacket:
 - 1) PN 72321: 22 AWG 2/Conductor CMP. Typical use, Door Contact
 - 2) PN 72344: 22 AWG 4/Conductor CMP. Typical use, Request to Exit/Spare
 - 3) PN 75366: 22 AWG 6/Conductor shielded CMP. Typical use, Card Reader.
 - 4) PN 71944: 18 AWG 4/Conductor CMP. Typical use, Lock Power
 - b. Any of the above cables may be used individually where cables in addition to those included in the bundle are required.
- B. Comply with Division 26 Section "Wires and Cables" except as indicated.
- C. Cable for Low Voltage Control and Signal Circuits: Shielded twisted pair cable with drain. Comply with Division 26 Section "Wires and Cables."

2.9 RACEWAY

- A. Comply with Division 26 Section "Raceways."

2.10 DOOR HARDWARE SCHEDULE

- A. Refer to Section 08 71 00 Door Hardware Schedule for hardware set information and assignment of required components to be provided by the Division 28 contractor.

PART 3 - EXECUTION**3.1 EXAMINATION**

- A. Examine pathway elements intended for cables. Check raceways, cable trays, and other elements for compliance with space allocations, installation tolerances, hazards to cable installation, and other conditions affecting installation.
- B. Examine roughing-in for card readers, and other cable-connected devices to verify actual locations of conduit and back boxes before device installation.
- C. Proceed with installation only after unsatisfactory conditions have been corrected.

3.2 PREPARATION

- A. Comply with recommendations in SIA CP-01.
- B. Comply with TIA/EIA 606-A, "Administration Standard for Commercial Telecommunications Infrastructure."
- C. Obtain detailed Project planning forms from manufacturer of access-control system; develop custom forms to suit Project. Fill in all data available from Project plans and specifications and publish as Project planning documents for review and approval.
 - 1. For each Location, record setup of controller features and access requirements.
 - 2. Prepare a specific plan for system testing, startup, and demonstration.
 - 3. Develop acceptance test concept and, on approval, develop specifics of the test.
 - 4. Develop cable and asset-management system details; input data from construction documents.

3.3 INSTALLATION

- A. General: Install system according to NFPA 70, applicable codes, and manufacturer's printed instructions.
- B. Wiring Method:
 - 1. Concealed in walls or above inaccessible ceilings: Install all cabling in raceways, 3/4 inch minimum. Conduit fill shall not exceed 40%.
 - 2. Above Accessible Ceilings: Provide J-Hooks at not more than 5 feet on center. Fasten J-Hooks to walls with solid anchoring to studs. Where wall are unavailable suspend from structure using not less than 3/8" diameter threaded rod and provide tie to ceiling grid to prevent sway.
 - 3. Exposed: Install exposed cables in minimum 3/4" galvanized rigid metal conduit with straps at not more than 3 feet on center and minimum 1/4" gap between conduit and building surface. Use boxes that are specified for surface mounting.
- C. Wiring within Panels and Enclosures: Bundle, wrap, and train the conductors to terminal points with 6-inches of slack minimum, 12-inches of slack maximum. Provide and use cable management hardware and distribution spools.
- D. Number of Conductors: As recommended by system manufacturer for functions indicated. As a minimum install one bundled, shielded and unshielded, twisted pair cable for every access controlled door.

- E. Splices, Taps, and Terminations: Make splices, taps, and terminations on numbered terminal strips in junction, pull and outlet boxes, terminal cabinets, and equipment enclosures.
- F. Tighten connections to comply with tightening torques specified in UL Standard 486A.
- G. Identification of Conductors and Cables: Color code conductors and apply wire and cable marking tape to designate wires and cables so media are identified and coordinated with system wiring diagrams.
- H. Install power supplies and other auxiliary components for detection devices at the door controller panel or at a data gathering panel except as otherwise indicated. Do not install such items in the vicinity of the devices they serve.

3.4 GROUNDING

- A. Comply with Section 280526 "Grounding and Bonding for Electronic Safety and Security."
- B. Comply with IEEE 1100, "Recommended Practice for Power and Grounding Electronic Equipment."
- C. Ground cable shields, drain conductors, and equipment to eliminate shock hazard and to minimize ground loops, common-mode returns, noise pickup, cross talk, and other impairments.
- D. Bond shields and drain conductors to ground at only one point in each circuit.

3.5 DOOR RELEASE BUTTON INSTALLATION

- A. Push Buttons: Where multiple push buttons are housed within a single switch enclosure, they shall be stacked vertically with each push-button switch labeled with 1/4-inch- (6.4-mm-) high text and symbols as required. Push-button switches shall be connected to the controller associated with the portal to which they are applied, and shall operate the appropriate electric strike, electric lock, or other facility release device.

3.6 IDENTIFICATION

- A. In addition to requirements in this article, comply with applicable requirements in Section 260553 "Identification for Electrical Systems" and with TIA/EIA 606-A.
- B. Label each terminal strip and screw terminal in each cabinet, rack, or panel.
 - 1. All wiring conductors connected to terminal strips shall be individually numbered, and each cable or wiring group being extended from a panel or cabinet to a building-mounted device shall be identified with the name and number of the particular device as shown.
 - 2. Each wire connected to building-mounted devices is not required to be numbered at the device if the color of the wire is consistent with the associated wire connected and numbered within the panel or cabinet.

3.7 FIELD QUALITY CONTROL

- A. Manufacturer's Field Services: Provide services of a factory authorized service representative to supervise the field assembly and connection of components and system pre-testing, testing, adjustment, and programming.

- B. Inspection: Verify that units and controls are properly labeled and interconnecting wires and terminals are identified.
- C. Pre-testing: Align and adjust the system and perform pre-testing of all components, wiring, and functions to verify conformance with specified requirements. Correct deficiencies by replacing malfunctioning or damaged items with new items. Retest until satisfactory performance and conditions are achieved.
- D. Testing: Provide at least 10 days' notice of acceptance test performance schedule.
- E. Operational Tests: Perform operational system tests to verify conformance with specifications. Test all modes of system operation and intrusion detection. Methodically test for false alarms in each zone of space intrusion detection devices by simulating activities outside indicated detection patterns.
- F. Installer Start-up Responsibility: The Installer shall initiate system operation. The Installer shall provide competent start up personnel on each consecutive working day until the system is fully functional. Upon reoccurring technical problems, the Installer shall supply factory direct Manufacturer's support in the form of factory technical representation and/or diagnostic equipment until the resolution of those defined problems.

3.8 ADJUSTMENT

- A. Occupancy Adjustments: When requested within 1 year of date of substantial completion, provide on site assistance in adjusting and reprogramming to suit actual occupied conditions. Provide up to 3 visits to the site for this purpose without additional cost.

3.9 DEMONSTRATION

- A. Train Owner's operating personnel in the programming and operation of the system. Train Owner's maintenance personnel in the procedures and schedules involved in preventive maintenance and in programming, operating, adjusting, troubleshooting, and servicing of the system. Provide a minimum of 4 hours training.
- B. Schedule training with advance notice of at least 7 days.

END OF SECTION

THIS PAGE INTENTIONALLY BLANK

SECTION 28 23 00**VIDEO SURVEILLANCE****PART 1 - GENERAL****1.1 SUMMARY**

- A. Section includes a video surveillance system consisting of cameras, software installation, configuration, and licensing. Network electronics shall be provided by the Owner. Cabling and terminations shall be provided by Section 27 10 00. User selected installer: Convergent.

1.2 SUBMITTALS

- A. Product Data: For each type of product indicated. Include dimensions and data on features, performance, electrical characteristics, ratings, and finishes.
- B. Shop Drawings: For video surveillance. Include plans, elevations, sections, details, and attachments to other work.
 - 1. Detail equipment assemblies and indicate dimensions, weights, loads, required clearances, method of field assembly, components, and location and size of each field connection.
 - 2. Functional Block Diagram: Show single-line interconnections between components for signal transmission and control. Show cable types and sizes.
 - 3. Dimensioned plan and elevations of equipment racks, control panels, and consoles. Show access and workspace requirements.
 - 4. Wiring Diagrams: For power, signal, and control wiring.
- C. Equipment List: Include every piece of equipment by model number, manufacturer, location, and date of original installation.
- D. Field quality-control reports.
- E. Operation and maintenance data.

1.3 QUALITY ASSURANCE

- A. Electrical Components, Devices, and Accessories: Listed and labeled as defined in NFPA 70, by a qualified testing agency, and marked for intended location and application.
- B. Comply with NECA 1.
- C. Comply with NFPA 70.
- D. Electronic data exchange between video surveillance system with an access-control system shall comply with SIA TVAC.

1.4 WARRANTY

- A. Special Warranty: Manufacturer's standard form in which manufacturer agrees to repair or replace components of cameras, equipment related to camera operation, and control-station equipment that fail in materials or workmanship within specified warranty period.
1. Warranty Period: One year from date of Substantial Completion.

PART 2 - PRODUCTS**2.1 SYSTEM REQUIREMENTS**

- A. Video-signal format shall comply with IP based digital transmission.
- B. Surge Protection: Protect components from voltage surges entering through power, communication, signal, control, or sensing leads. Include surge protection for external wiring of each conductor's entry connection to components.
1. Minimum Protection for Power Connections 120 V and More: Auxiliary panel suppressors complying with requirements in Division 26 Section "Transient-Voltage Suppression for Low-Voltage Electrical Power Circuits."
 2. Minimum Protection for Communication, Signal, Control, and Low-Voltage Power Connections: Comply with requirements in Division 26 Section "Transient-Voltage Suppression for Low-Voltage Electrical Power Circuits." as recommended by manufacturer for type of line being protected.
- C. Tamper Protection: Tamper protection capability shall be provided as part of the camera manufacture and design.

2.2 CAMERAS

- A. Manufacturers: Subject to compliance with requirements, provide products by one of the following:
1. AXIS
 2. Arecont
- B. Description: Camera shall be an all-in-one solution with integrated megapixel camera, varifocal lens, and dome enclosure. Refer to camera type schedule in the drawings.

2.3 CAMERA-SUPPORTING EQUIPMENT

- A. Manufacturers: Subject to compliance with requirements, provide products by one of the following:
1. AXIS
 2. Arecont
- B. Minimum Load Rating: Rated for load in excess of the total weight supported times a minimum safety factor of two.
- C. Mounting Brackets for Fixed Cameras: Type matched to items supported and mounting conditions. Include manual pan-and-tilt adjustment.

- D. Protective Housings for Fixed Cameras: Dome type enclosures with internal camera mounting and connecting provisions that are matched to camera/lens combination and mounting and installing arrangement of camera to be housed. Dome enclosures mounted outside shall be manufactured with environmental features for sustained function in all expected temperatures.

2.4 IP VIDEO MANAGEMENT SYSTEMS

- A. Manufacturers: Subject to compliance with requirements, provide products by the following:
 - 1. Genetec
- B. Description:
 - 1. System shall provide high-quality delivery and processing of IP-based video, audio, and control data using standard Ethernet-based networks.
 - 2. System shall have seamless integration of all video surveillance and control functions.
 - 3. System design shall include all necessary compression software for high-performance, dual-stream, MPEG-2/MPEG-4/h.264 video. Unit shall provide connections for all video cameras, camera PTZ control data, bidirectional audio, discreet sensor inputs, and control system outputs.
 - 4. All camera signals shall be compressed, encoded, and delivered onto the network for processing and control by the IP video-management software.
 - 5. All system interconnect cables, camera licenses, workstation programming, and other system intermediate devices shall be provided for full performance of specified system.

2.5 SIGNAL AND POWER TRANSMISSION COMPONENTS

- A. Cable: Four pair, 100 ohm, Category 6 compliant UTP. (By Section 271500)
- B. Video Surveillance Cable Connectors: Category 6 compliant. (By Section 271500)
- C. Camera Power: POE enabled network switches. (By Owner)

PART 3 - EXECUTION

3.1 VIDEO SURVEILLANCE SYSTEM INSTALLATION

- A. Install cameras at heights noted in drawings.
- B. Set pan-and-tilt unit stops to suit final camera position and to obtain the field of view required for camera. Connect all controls and alarms, and adjust.
- C. Identify system components, wiring, cabling, and terminals according to Division 26 Section "Identification for Electrical Systems."

3.2 FIELD QUALITY CONTROL

- A. Perform tests and inspections.

1. **Manufacturer's Field Service:** Engage a factory-authorized service representative to inspect components, assemblies, and equipment installations, including connections, and to assist in testing.

B. Tests and Inspections:

1. **Inspection:** Verify that units and controls are properly installed, connected, and labeled, and that interconnecting wires and terminals are identified.
2. **Pretesting:** Align and adjust system and pretest components, wiring, and functions to verify that they comply with specified requirements. Conduct tests at varying lighting levels, including day and night scenes as applicable. Prepare video-surveillance equipment for acceptance and operational testing as follows:
 - a. Verify operation of auto-iris lenses.
 - b. Set back-focus of fixed focal length lenses. At focus set to infinity, simulate nighttime lighting conditions by using a dark glass filter of a density that produces a clear image. Adjust until image is in focus with and without the filter.
 - c. Set back-focus of zoom lenses. At focus set to infinity, simulate nighttime lighting conditions by using a dark glass filter of a density that produces a clear image. Additionally, set zoom to full wide angle and aim camera at an object 50 to 75 feet away. Adjust until image is in focus from full wide angle to full telephoto, with the filter in place.
 - d. Set sensitivity of motion detection.
 - e. Connect and verify responses to alarms.
 - f. Verify operation of control-station equipment.
3. **Test Schedule:** Schedule tests after pretesting has been successfully completed and system has been in normal functional operation for at least 14 days. Provide a minimum of 10 days' notice of test schedule.
4. **Operational Tests:** Perform operational system tests to verify that system complies with Specifications. Include all modes of system operation.

C. Video surveillance system will be considered defective if it does not pass tests and inspections.

D. Prepare test and inspection reports.

3.3 DEMONSTRATION

- A. Train Owner's maintenance personnel to adjust, operate, and maintain video-surveillance equipment.

END OF SECTION

SECTION 28 31 11
DIGITAL, ADDRESSABLE FIRE-ALARM SYSTEM

PART 1 - GENERAL**1.1 RELATED DOCUMENTS**

- A. Drawings and general provisions of the Contract, including General and Supplementary Conditions and Division 01 Specification Sections, apply to this Section.

1.2 SUMMARY

- A. Section Includes:
 1. Fire-alarm control unit.
 2. Manual fire-alarm boxes.
 3. System smoke detectors.
 4. Heat detectors.
 5. Notification appliances.
 6. Magnetic door holders.

1.3 DEFINITIONS

- A. LED: Light-emitting diode.
- B. NICET: National Institute for Certification in Engineering Technologies.

1.4 SYSTEM DESCRIPTION

- A. Expansion of existing building system. Noncoded, UL-certified FMG-placarded addressable system, with automatic sensitivity control of smoke detectors and multiplexed signal transmission, dedicated to fire-alarm service only.

1.5 PERFORMANCE REQUIREMENTS

- A. Seismic Performance: Fire-alarm control unit and raceways shall withstand the effects of earthquake motions determined according to SEI/ASCE 7.
 1. The term "withstand" means "the unit will remain in place without separation of any parts from the device when subjected to the seismic forces specified."

1.6 ACTION SUBMITTALS

- A. Product Data: For each type of product indicated.
- B. Shop Drawings: For fire-alarm system. Include plans, elevations, sections, details, and attachments to other work.
 1. Comply with recommendations in the "Documentation" Section of the "Fundamentals of Fire Alarm Systems" Chapter in NFPA 72.
 2. Include voltage drop calculations for notification appliance circuits.
 3. Include battery-size calculations.
 4. Include performance parameters and installation details for each detector, verifying that each detector is listed for complete range of air velocity, temperature, and humidity possible when air-handling system is operating.
 5. Include plans, sections, and elevations of heating, ventilating, and air-conditioning ducts, drawn to scale and coordinating installation of duct smoke detectors and access to them. Show critical dimensions that relate to placement and support of sampling tubes, detector housing, and remote status and alarm indicators. Locate detectors according to manufacturer's written recommendations.
 6. Include voice/alarm signaling-service equipment rack or console layout, grounding schematic, amplifier power calculation, and single-line connection diagram.

7. Include floor plans to indicate final outlet locations showing address of each addressable device. Show size and route of cable and conduits.
- C. General Submittal Requirements:
1. Submittals shall be approved by authorities having jurisdiction prior to submitting them to Architect.
 2. Shop Drawings shall be prepared by persons with the following qualifications:
 - a. Trained and certified by manufacturer in fire-alarm system design.
 - b. NICET-certified fire-alarm technician, Level III minimum.
 - c. Licensed or certified by authorities having jurisdiction.
- D. Delegated-Design Submittal: For smoke and heat detectors indicated to comply with performance requirements and design criteria, including analysis data prepared by NICET Level II certified technician.
1. Drawings showing the location of each smoke and heat detector, ratings of each, and installation details as needed to comply with listing conditions of the detector.
 2. Design Calculations: Calculate requirements for selecting the spacing and sensitivity of detection, complying with NFPA 72.

1.7 INFORMATIONAL SUBMITTALS

- A. Qualification Data: For qualified Installer.
- B. Seismic Qualification Certificates: For fire-alarm control unit, accessories, and components, from manufacturer.
1. Basis for Certification: Indicate whether withstand certification is based on actual test of assembled components or on calculation.
 2. Dimensioned Outline Drawings of Equipment Unit: Identify center of gravity and locate and describe mounting and anchorage provisions.
 3. Detailed description of equipment anchorage devices on which the certification is based and their installation requirements.
- C. Field quality-control reports.

1.8 CLOSEOUT SUBMITTALS

- A. Operation and Maintenance Data: For fire-alarm systems and components to include in emergency, operation, and maintenance manuals. In addition to items specified in Section 017823 "Operation and Maintenance Data," include the following:
1. Comply with the "Records" Section of the "Inspection, Testing and Maintenance" Chapter in NFPA 72.
 2. Provide "Record of Completion Documents" according to NFPA 72 article "Permanent Records" in the "Records" Section of the "Inspection, Testing and Maintenance" Chapter.
 3. Record copy of site-specific software.
 4. Provide "Maintenance, Inspection and Testing Records" according to NFPA 72 article of the same name and include the following:
 - a. Frequency of testing of installed components.
 - b. Frequency of inspection of installed components.
 - c. Requirements and recommendations related to results of maintenance.
 - d. Manufacturer's user training manuals.
 5. Manufacturer's required maintenance related to system warranty requirements.
 6. Abbreviated operating instructions for mounting at fire-alarm control unit.

1.9 QUALITY ASSURANCE

- A. Installer Qualifications: Installation shall be by personnel certified by NICET as fire-alarm Level II technician.

- B. Source Limitations for Fire-Alarm System and Components: Obtain fire-alarm system from single source from single manufacturer. Components shall be compatible with, and operate as, an extension of existing system.
- C. Electrical Components, Devices, and Accessories: Listed and labeled as defined in NFPA 70, by a qualified testing agency, and marked for intended location and application.
- D. NFPA Certification: Obtain certification according to NFPA 72 by the Authority Having Jurisdiction.

1.10 PROJECT CONDITIONS

- A. Interruption of Existing Fire-Alarm Service: Do not interrupt fire-alarm service to facilities occupied by Owner or others unless permitted under the following conditions and then only after arranging to provide temporary guard service according to requirements indicated:
 - 1. Notify Construction Manager no fewer than 7 days in advance of proposed interruption of fire-alarm service.
 - 2. Do not proceed with interruption of fire-alarm service without Construction Manager's written permission.

1.11 SEQUENCING AND SCHEDULING

- A. Existing Fire-Alarm Equipment: Maintain existing equipment fully operational until new equipment has been tested and accepted. As new equipment is installed, label it "NOT IN SERVICE" until it is accepted. Remove labels from new equipment when put into service and label existing fire-alarm equipment "NOT IN SERVICE" until removed from the building.
- B. Equipment Removal: After acceptance of new fire-alarm system, remove existing disconnected fire-alarm equipment and wiring.

PART 2 - PRODUCTS

2.1 MANUFACTURERS

- A. Subject to compliance with requirements, provide product by the following:
 - 1. Johnson Controls

2.2 SYSTEMS OPERATIONAL DESCRIPTION

- A. Fire-alarm signal initiation shall be by one or more of the following devices[and systems]:
 - 1. Manual stations.
 - 2. Smoke detectors.
 - 3. Duct smoke detectors.
 - 4. Verified automatic alarm operation of smoke detectors.
 - 5. Automatic sprinkler system water flow.
- B. Fire-alarm signal shall initiate the following actions:
 - 1. In the hospital, continuously operate chime/strobe appliances in smoke zone where alarm is initiated. Continuously operate strobe appliances throughout the hospital
 - 2. Identify alarm at fire-alarm control unit and remote annunciators.
 - 3. Transmit an alarm signal to the remote alarm receiving station.
 - 4. Unlock electric door locks in designated egress paths.
 - 5. Release fire and smoke doors held open by magnetic door holders.
 - 6. Activate voice/alarm communication system.
 - 7. Switch heating, ventilating, and air-conditioning equipment controls to fire-alarm mode.
 - 8. Close smoke dampers in air ducts of designated air-conditioning duct systems.
 - 9. Recall elevators to primary or alternate recall floors.
 - 10. Record events in the system memory.
- C. Supervisory signal initiation shall be by one or more of the following devices and actions:

1. Valve supervisory switch.
 2. Low-air-pressure switch of a dry-pipe sprinkler system.
 3. Elevator shunt-trip supervision.
- D. System trouble signal initiation shall be by one or more of the following devices and actions:
1. Open circuits, shorts, and grounds in designated circuits.
 2. Opening, tampering with, or removing alarm-initiating and supervisory signal-initiating devices.
 3. Loss of primary power at fire-alarm control unit.
 4. Ground or a single break in fire-alarm control unit internal circuits.
 5. Abnormal ac voltage at fire-alarm control unit.
 6. Break in standby battery circuitry.
 7. Failure of battery charging.
 8. Abnormal position of any switch at fire-alarm control unit or annunciator.
 9. Fire-pump power failure, including a dead-phase or phase-reversal condition.
 10. Low-air-pressure switch operation on a dry-pipe or preaction sprinkler system.
- E. System Trouble and Supervisory Signal Actions: Initiate notification appliance and annunciate at fire-alarm control unit and remote annunciators. Record the event on system printer.

2.3 FIRE-ALARM CONTROL UNIT

- A. General Requirements for Fire-Alarm Control Unit:
1. Field-programmable, microprocessor-based, modular, power-limited design with electronic modules, complying with UL 864 and listed and labeled by an NRTL.
 - a. System software and programs shall be held in flash electrically erasable programmable read-only memory (EEPROM), retaining the information through failure of primary and secondary power supplies.
 - b. Include a real-time clock for time annotation of events on the event recorder
 - c. Must be able to operate and monitor Pre-action systems throughout hospital
 2. Addressable initiation devices that communicate device identity and status.
 - a. Smoke sensors shall additionally communicate sensitivity setting and allow for adjustment of sensitivity at fire-alarm control unit.
 - b. Temperature sensors shall additionally test for and communicate the sensitivity range of the device.
 3. Addressable control circuits for operation of mechanical equipment.
- B. Alphanumeric Display and System Controls: Arranged for interface between human operator at fire-alarm control unit and addressable system components including annunciation and supervision. Display alarm, supervisory, and component status messages and the programming and control menu.
1. Annunciator and Display: Liquid-crystal type, 3 line(s) of 80 characters, minimum.
 2. Keypad: Arranged to permit entry and execution of programming, display, and control commands and to indicate control commands to be entered into the system for control of smoke-detector sensitivity and other parameters.
- C. Circuits:
1. Initiating Device, Notification Appliance, and Signaling Line Circuits: NFPA 72, Class A.
 - a. Initiating Device Circuits: Style D.
 - b. Notification Appliance Circuits: Style Z.
 - c. Signaling Line Circuits: Style 7.
 - d. Install no more than 50 addressable devices on each signaling line circuit.
 2. Serial Interfaces: Two RS-232 ports for printers.

- D. Smoke-Alarm Verification:
 - 1. Initiate audible and visible indication of an "alarm-verification" signal at fire-alarm control unit.
 - 2. Activate an NRTL-listed and -approved "alarm-verification" sequence at fire-alarm control unit and detector.
 - 3. Record events by the system printer.
 - 4. Sound general alarm if the alarm is verified.
 - 5. Cancel fire-alarm control unit indication and system reset if the alarm is not verified.
- E. Notification Appliance Circuit: Operation shall sound in a temporal.
- F. Door Controls: Door hold-open devices that are controlled by smoke detectors at doors in smoke barrier walls shall be connected to fire-alarm system.
- G. Remote Smoke-Detector Sensitivity Adjustment: Controls shall select specific addressable smoke detectors for adjustment, display their current status and sensitivity settings, and change those settings. Allow controls to be used to program repetitive, time-scheduled, and automated changes in sensitivity of specific detector groups. Record sensitivity adjustments and sensitivity-adjustment schedule changes in system memory, and print out the final adjusted values on system printer.
- H. Transmission to Remote Alarm Receiving Station: Automatically transmit alarm, supervisory, and trouble signals to a remote alarm station.
- I. Primary Power: 24-V dc obtained from 120-V ac service and a power-supply module. Initiating devices, notification appliances, signaling lines, trouble signals, supervisory and digital alarm communicator transmitters shall be powered by 24-V dc source.
 - 1. Alarm current draw of entire fire-alarm system shall not exceed 80 percent of the power-supply module rating.
- J. Secondary Power: 24-V dc supply system with batteries, automatic battery charger, and automatic transfer switch.
 - 1. Batteries: Sealed, valve-regulated, recombinant lead acid.

2.4 MANUAL FIRE-ALARM BOXES

- A. General Requirements for Manual Fire-Alarm Boxes: Comply with UL 38. Boxes shall be finished in red with molded, raised-letter operating instructions in contrasting color; shall show visible indication of operation; and shall be mounted on recessed outlet box. If indicated as surface mounted, provide manufacturer's surface back box.
 - 1. Double-action mechanism requiring two actions to initiate an alarm, pull-lever type; with integral addressable module arranged to communicate manual-station status (normal, alarm, or trouble) to fire-alarm control unit.
 - 2. Station Reset: Key- or wrench-operated switch.
 - 3. Indoor Protective Shield: Factory-fabricated clear plastic enclosure hinged at the top to permit lifting for access to initiate an alarm. Lifting the cover actuates an integral battery-powered audible horn intended to discourage false-alarm operation.
 - 4. Weatherproof Protective Shield: Factory-fabricated clear plastic enclosure hinged at the top to permit lifting for access to initiate an alarm.

2.5 SYSTEM SMOKE DETECTORS

- A. General Requirements for System Smoke Detectors:
 - 1. Comply with UL 268; operating at 24-V dc, nominal.
 - 2. Detectors shall be four-wire type.
 - 3. Integral Addressable Module: Arranged to communicate detector status (normal, alarm, or trouble) to fire-alarm control unit.
 - 4. Base Mounting: Detector and associated electronic components shall be mounted in a twist-lock module that connects to a fixed base. Provide terminals in the fixed base for connection to building wiring.

5. Self-Restoring: Detectors do not require resetting or readjustment after actuation to restore them to normal operation.
 6. Integral Visual-Indicating Light: LED type indicating detector has operated and power-on status.
 7. Remote Control: Unless otherwise indicated, detectors shall be analog-addressable type, individually monitored at fire-alarm control unit for calibration, sensitivity, and alarm condition and individually adjustable for sensitivity by fire-alarm control unit.
 - a. Rate-of-rise temperature characteristic shall be selectable at fire-alarm control unit for 15 or 20 deg F (8 or 11 deg C) per minute.
 - b. Fixed-temperature sensing shall be independent of rate-of-rise sensing and shall be settable at fire-alarm control unit to operate at 135 or 155 deg F (57 or 68 deg C).
 - c. Provide multiple levels of detection sensitivity for each sensor.
- B. Photoelectric Smoke Detectors:
1. Detector address shall be accessible from fire-alarm control unit and shall be able to identify the detector's location within the system and its sensitivity setting.
 2. An operator at fire-alarm control unit, having the designated access level, shall be able to manually access the following for each detector:
 - a. Primary status.
 - b. Device type.
 - c. Present average value.
 - d. Present sensitivity selected.
 - e. Sensor range (normal, dirty, etc.).
- C. Duct Smoke Detectors: Photoelectric type complying with UL 268A.
1. Detector address shall be accessible from fire-alarm control unit and shall be able to identify the detector's location within the system and its sensitivity setting.
 2. An operator at fire-alarm control unit, having the designated access level, shall be able to manually access the following for each detector:
 - a. Primary status.
 - b. Device type.
 - c. Present average value.
 - d. Present sensitivity selected.
 - e. Sensor range (normal, dirty, etc.).
 3. Weatherproof Duct Housing Enclosure: NEMA 250, Type 4X; NRTL listed for use with the supplied detector.
 4. Each sensor shall have multiple levels of detection sensitivity.
 5. Sampling Tubes: Design and dimensions as recommended by manufacturer for specific duct size, air velocity, and installation conditions where applied.
 6. Relay Fan Shutdown: Rated to interrupt fan motor-control circuit.

2.6 HEAT DETECTORS

- A. General Requirements for Heat Detectors: Comply with UL 521.
- B. Heat Detector, Combination Type: Actuated by either a fixed temperature of 135 deg F (57 deg C) or a rate of rise that exceeds 15 deg F (8 deg C) per minute unless otherwise indicated.
1. Mounting: Twist-lock base interchangeable with smoke-detector bases.
 2. Integral Addressable Module: Arranged to communicate detector status (normal, alarm, or trouble) to fire-alarm control unit.

2.7 NOTIFICATION APPLIANCES

- A. General Requirements for Notification Appliances: Individually addressed, connected to a signaling line circuit, equipped for mounting as indicated and with screw terminals for system connections.

- B. Chimes, Low-Level Output: Vibrating type, 75-dBA minimum rated output.
- C. Chimes, High-Level Output: Vibrating type, 81-dBA minimum rated output.
- D. Horns: Electric-vibrating-polarized type, 24-V dc; with provision for housing the operating mechanism behind a grille. Comply with UL 464. Horns shall produce a sound-pressure level of 90 dBA, measured **10 feet (3 m)** from the horn, using the coded signal prescribed in UL 464 test protocol.
- E. Visible Notification Appliances: Xenon strobe lights comply with UL 1971, with clear or nominal white polycarbonate lens mounted on an aluminum faceplate. The word "FIRE" is engraved in minimum **1-inch- (25-mm-)** high letters on the lens.
 - 1. Rated Light Output:
 - a. 15/30/75/110 cd, selectable in the field.
 - 2. Mounting: Wall mounted unless otherwise indicated.
 - 3. For units with guards to prevent physical damage, light output ratings shall be determined with guards in place.
 - 4. Flashing shall be in a temporal pattern, synchronized with other units.
 - 5. Strobe Leads: Factory connected to screw terminals.
 - 6. Mounting Faceplate: Factory finished, white.

2.8 MAGNETIC DOOR HOLDERS

- A. Description: Units are equipped for wall or floor mounting as indicated and are complete with matching doorplate.
 - 1. Electromagnet: Requires no more than 3 W to develop **25-lbf (111-N)** holding force.
 - 2. Wall-Mounted Units: Flush mounted unless otherwise indicated.
 - 3. Rating: 24-V ac or dc.
 - 4. Rating: 120-V ac.
- B. Material and Finish: Match door hardware.

PART 3 - EXECUTION

3.1 EQUIPMENT INSTALLATION

- A. Comply with NFPA 72 for installation of fire-alarm equipment.
- B. Install wall-mounted equipment, with tops of cabinets not more than **72 inches (1830 mm)** above the finished floor.
 - 1. Comply with requirements for seismic-restraint devices specified in Section 260548 "Vibration and Seismic Controls for Electrical Systems."
- C. Smoke- or Heat-Detector Spacing:
 - 1. Comply with NFPA 72, "Smoke-Sensing Fire Detectors" Section in the "Initiating Devices" Chapter, for smoke-detector spacing.
 - 2. Comply with NFPA 72, "Heat-Sensing Fire Detectors" Section in the "Initiating Devices" Chapter, for heat-detector spacing.
 - 3. Smooth ceiling spacing shall not exceed **30 feet (9 m)**.
 - 4. HVAC: Locate detectors not closer than **3 feet (1 m)** from air-supply diffuser or return-air opening.
 - 5. Lighting Fixtures: Locate detectors not closer than **12 inches (300 mm)** from any part of a lighting fixture.
- D. Duct Smoke Detectors: Comply with NFPA 72 and NFPA 90A. Install sampling tubes so they extend the full width of duct.
- E. Remote Status and Alarm Indicators: Install near each smoke detector and each sprinkler water-flow switch and valve-tamper switch that is not readily visible from normal viewing position.

- F. Audible Alarm-Indicating Devices: Install not less than **6 inches (150 mm)** below the ceiling. Install bells and horns on flush-mounted back boxes with the device-operating mechanism concealed behind a grille.
- G. Visible Alarm-Indicating Devices: Install adjacent to each alarm bell or alarm horn and at least **6 inches (150 mm)** below the ceiling.
- H. Device Location-Indicating Lights: Locate in public space near the device they monitor.

3.2 WIRING INSTALLATION

- A. Wiring Method: Install wiring in metal raceway according to Division 26 Section 260519 Conceal raceway except in unfinished spaces and as indicated.
- B. Wiring within Enclosures: Separate power-limited and non-power-limited conductors as recommended by the manufacturer. Install conductors parallel with or at right angles to sides and back of the enclosure. Bundle, lace, and train conductors to terminal points with no excess. Connect conductors that are terminated, spliced, or interrupted in any enclosure associated with the fire alarm system to terminal blocks. Mark each terminal according to the system's wiring diagrams. Make all connections with approved crimp-on terminal spade lugs, pressure-type terminal blocks, or plug connectors.
- C. Cable Taps: Use numbered terminal strips in junction, pull and outlet boxes, cabinets, or equipment enclosures where circuit connections are made.
- D. Color-Coding: Color-code fire alarm conductors differently from the normal building power wiring. Use one color-code for alarm circuit wiring and a different color-code for supervisory circuits. Color-code audible alarm-indicating circuits differently from alarm-initiating circuits. Use different colors for visible alarm-indicating devices. Paint fire alarm system junction boxes and covers red.
- E. Risers: Install at least two vertical cable risers to serve the fire alarm system. Separate risers in close proximity to each other with a minimum one-hour-rated wall, so the loss of one riser does not prevent the receipt or transmission of signal from other floors or zones.
- F. Wiring to Remote Alarm Transmitting Device: **1-inch (25-mm)** conduit between the FACP and the transmitter. Install number of conductors and electrical supervision for connecting wiring as needed to suit monitoring function.

3.3 CONNECTIONS

- A. For fire-protection systems related to doors in fire-rated walls and partitions and to doors in smoke partitions, comply with requirements in Section 087100 "Door Hardware." Connect hardware and devices to fire-alarm system.
 - 1. Verify that hardware and devices are NRTL listed for use with fire-alarm system in this Section before making connections.
- B. Make addressable connections with a supervised interface device to the following devices and systems. Install the interface device less than **3 feet (1 m)** from the device controlled. Make an addressable confirmation connection when such feedback is available at the device or system being controlled.
 - 1. Alarm-initiating connection to smoke-control system (smoke management) at firefighter smoke-control system panel.
 - 2. Alarm-initiating connection to stairwell and elevator-shaft pressurization systems.
 - 3. Smoke dampers in air ducts of designated air-conditioning duct systems. Provide end switches at each smoke and fire/smoke damper
 - 4. Alarm-initiating connection to elevator recall system and components.
 - 5. Alarm-initiating connection to activate emergency lighting control.
 - 6. Alarm-initiating connection to activate emergency shutoffs for gas and fuel supplies.
 - 7. Supervisory connections at valve supervisory switches.
 - 8. Supervisory connections at low-air-pressure switch of each dry-pipe sprinkler system.

9. Supervisory connections at elevator shunt trip breaker.
10. Supervisory connections at fire-pump power failure including a dead-phase or phase-reversal condition.
11. Supervisory connections at fire-pump engine control panel.

3.4 IDENTIFICATION

- A. Identify system components, wiring, cabling, and terminals. Comply with requirements for identification specified in Section 260553 "Identification for Electrical Systems."
- B. Install framed instructions in a location visible from fire-alarm control unit.

3.5 GROUNDING

- A. Ground fire-alarm control unit and associated circuits; comply with IEEE 1100. Install a ground wire from main service ground to fire-alarm control unit.

3.6 FIELD QUALITY CONTROL

- A. Field tests shall be witnessed by authorities having jurisdiction.
- B. Manufacturer's Field Service: Engage a factory-authorized service representative to inspect, test, and adjust components, assemblies, and equipment installations, including connections.
- C. Perform tests and inspections.
 1. Manufacturer's Field Service: Engage a factory-authorized service representative to inspect components, assemblies, and equipment installations, including connections, and to assist in testing.
- D. Tests and Inspections:
 1. Visual Inspection: Conduct visual inspection prior to testing.
 - a. Inspection shall be based on completed Record Drawings and system documentation that is required by NFPA 72 in its "Completion Documents, Preparation" Table in the "Documentation" Section of the "Fundamentals of Fire Alarm Systems" Chapter.
 - b. Comply with "Visual Inspection Frequencies" Table in the "Inspection" Section of the "Inspection, Testing and Maintenance" Chapter in NFPA 72; retain the "Initial/Reacceptance" column and list only the installed components.
 2. System Testing: Comply with "Test Methods" Table in the "Testing" Section of the "Inspection, Testing and Maintenance" Chapter in NFPA 72.
 3. Test audible appliances for the public operating mode according to manufacturer's written instructions. Perform the test using a portable sound-level meter complying with Type 2 requirements in ANSI S1.4.
 4. Test audible appliances for the private operating mode according to manufacturer's written instructions.
 5. Test visible appliances for the public operating mode according to manufacturer's written instructions.
 6. Factory-authorized service representative shall prepare the "Fire Alarm System Record of Completion" in the "Documentation" Section of the "Fundamentals of Fire Alarm Systems" Chapter in NFPA 72 and the "Inspection and Testing Form" in the "Records" Section of the "Inspection, Testing and Maintenance" Chapter in NFPA 72.
- E. Reacceptance Testing: Perform reacceptance testing to verify the proper operation of added or replaced devices and appliances.
- F. Fire-alarm system will be considered defective if it does not pass tests and inspections.
- G. Prepare test and inspection reports.
- H. Maintenance Test and Inspection: Perform tests and inspections listed for weekly, monthly, quarterly, and semiannual periods. Use forms developed for initial tests and inspections.

- I. Annual Test and Inspection: One year after date of Substantial Completion, test fire-alarm system complying with visual and testing inspection requirements in NFPA 72. Use forms developed for initial tests and inspections.

END OF SECTION