

PHILIPS

EarlyVue

VS30 vital signs monitor



Early detection. Intelligent intervention.

EarlyVue VS30 vital signs monitor technical data sheet



Specs that matter, clinical **benefits that count**

Simplify your workflow

- **Task Light:** illuminates area below the monitor
 - **Dark/Light Display:** helps avoid screen glare
 - **QuickCheck**
 - Caregiver authentication at the bedside
 - Patient ID and/or record validation at the bedside
 - Patient record export via native HL7 to EHR
 - **QuickCapture**
 - Customize up to 40 parameters and observations entries for full documentation at the bedside
 - **QuickAlerts**
 - Choose Single or Modified Early Warning Scoring
 - Configurable EWS; auto-calculates at the bedside
 - Compatible with Philips Guardian (Rev E.01 or up)
 - **QuickNBP**
 - Provides faster NBP measurements
 - One-touch NBP on/off button
 - **SpO₂**
 - Choice of Philips SpO₂ or Masimo rainbow SET™
 - **SpHb and RRa options**
 - Enabled with Masimo rainbow SET
 - **Microstream™ etCO₂ option**
 - Includes Integrated Pulmonary Index (IPI)
 - **Temperature choices**
 - Welch Allyn® Predictive or Exergen® Temporal
 - **Biomedical and IT device maintenance tool kit**
 - Philips Device Management Dashboard, Rev A.02
 - **Dual purpose barcode scanners**
 - Can read 1D and 2D barcodes or RFID to support consistent and reliable patient and user ID entry
 - **Monitor to monitor sharing**
 - View saved patient records remotely on up to 15 monitors
 - View the last saved record for up to 100 patients
 - View patient data trends in graphical or tabular format (up to 35 records)
- Other benefits**
- 10" color touch screen; toggle between dark and light display
 - Uses same supplies as many other Philips monitors
 - Time-sync with hospital or network clock
 - Stores up to 1,000 patient records
 - Programmable auto-delete and auto-hide records
 - Confirmation of exported records easily seen - green oval
 - LAN/serial data export in HL7 format
 - Internal WiFi – 802.11 a/b/g/n option
 - USB ports for easy software upgrades and config settings
 - Lithium ion, 9-cell smart battery
 - Battery management, includes visible icon to show device is plugged in and charging





Side panel fixed key

- On/standby
- AC power LED
- Charging LED

Alarms

- Three alarm severity levels (high, medium, low) that determine the monitor's visual and audio response
- Visual alarm indicators, including flashing numeric panes, alarm messages, alarm icons and 360° alarm light
- Audible alarms configurable for volume, tone, and silence
- Configurable alarm limits
- Ability to latch all physiological alarms
- Automatically set alarm limits based on the patient's current vital sign values

Device connections

- USB ports for software upgrades, barcode scanner connection, or serial interface adapter connection
- Ethernet port for exporting HL7 data
- Nurse call connector for alarm output to a nurse call system
 - Connector 3.5 mm phone jack, N.O and N.C contacts
 - Contact rating <1 A, <25 VAC, <60 VDC
 - Isolation 1.5 kV
 - Delay time <1 sec
- Wireless data export

Standards

- IEC 60601-1, IEC 60601-1-2, IEC 60601-1-6: IEC 60601-1-8, IEC 80601-2-30, IEC 60601-2-49, ISO 80601-2-55, ISO 80601-2-56, ISO 80601-2-61
- Protection class: Class I, internally powered equipment, per IEC 60601-1
- Degree of protection: Type CF defibrillator-proof: per IEC 60601-1
- Ingress of liquids: IPX1
- Protection against hazards of ignition of flammable anaesthetic mixtures: equipment is not suitable for use in the presence of a flammable anaesthetic mixture with air or oxygen or nitrous oxide, per IEC 60601-1

Wireless radio compliance standards

- ETSI: EN 300 328, EN 301 489-1, EN 301 489-17, EN 301 893, EN 60950-1
- FCC Regulatory Domain: Part 15.247 Subpart C Part 15.407 Subpart E
- Industry Canada: RSS-210/RSS-Gen Issue 2

Physical (not to exceed) specifications

- Width: 33 cm
- Height: 23 cm
- Depth: 23 cm
- Weight: 5 kg or less, fully optioned and battery inserted

Display

- Screen type: 10.1 in LCD with 5-wire resistive touchscreen
- Refresh frequency: 60 Hz
- Resolution: 1280 active pixels/line, 800 active lines/frame
- Screen active area: 216.96 mm x 135.6
- Pixel Pitch: 0.1695 mm x 0.1695 mm
- Viewing angle: ±85°

Recorder

- Recorder type: thermal
- Paper width: 58 mm
- User selectable speeds: 6.25, 12.5, 25, and 50 mm/sec



Environmental specifications

Complies with mechanical shock and vibration requirements in IEC 80601-2-30, ISO 80601-2-55, 80601-2-56 and, 80601-2-61 standards for use within a professional health care facility.

Shock

Peak acceleration	150m/s ² (15g)
Duration	11 ms
Pulse shape	Half sine
Number of shocks	3 shocks per direction per axis (18 total)

Vibration

Frequency range	10 Hz to 2000 Hz
Resolution	10 Hz
Acceleration amplitude	10 Hz to 100 Hz: 1.0 (m/s ²) ² /Hz 100 Hz to 200 Hz: -3.0 dB/octave 200 Hz to 2000 Hz: 0.5 (m/s ²) ² /Hz
Duration	10 minutes per each perpendicular axis (3 total)

Thermal

Operating temperature	10°C to 40°C (50°F to 104°F) monitor 16°C to 33°C (60.8°F to 91.4°F) monitor with tympanic thermometer 16°C to 40°C (60.8°F to 104°F) monitor with temporal thermometer
Storage	-20°C to 50°C (-4°F to 122°F) monitor -20°C to 40°C (-4°F to 104°F) monitor with accessories

Humidity, operating, and storage

10% to 90% RH (non-condensing) for monitor
10% to 80% RH for monitor with recorder and paper

Electrical specifications

Battery	Lithium ion, Smart battery 11.1 V 7800 mAh
Battery operating time (new, fully charged battery)	At least 6 hours of monitoring SpO ₂ continuously and NBP measured every 15 minutes
Battery charge time to 90%	<4 hours when unit is in suspend and with supported battery
Internal power supply	100 VAC to 240 VAC
Maximum output power consumption	60 W
Frequency	50/60 Hz

Non-invasive blood pressure (NBP)

Technique	Oscillometric using stepwise deflation pressure
-----------	---

Subsequent cuff inflation (in NBP Interval mode only)	Determined automatically depending on the previous measurement and patient type
---	---

Adult range

Systolic	30 mmHg to 270 mmHg
Diastolic	10 mmHg to 240 mmHg
MAP	20 mmHg to 250 mmHg
Pulse rate range	40 bpm to 300 bpm

Pediatric range

Systolic	30 mmHg to 180 mmHg
Diastolic	10 mmHg to 150 mmHg
MAP	20 mmHg to 160 mmHg
Pulse rate range	40 bpm to 300 bpm

Neonatal range

Systolic	30 mmHg to 130 mmHg
Diastolic	10 mmHg to 100 mmHg
MAP	20 mmHg to 120 mmHg
Pulse rate range	40 bpm to 300 bpm

BP accuracy

Maximum standard deviation	8 mmHg
----------------------------	--------

Maximum mean error ±5 mmHg

Pulse rate accuracy

40 bpm to 100 bpm	±5 bpm
101 bpm to 200 bpm	±5% of reading
201 bpm to 300 bpm	±10% of reading

Initial inflation pressure (factory default settings)

Adult	160 mmHg (21.3 kPa)
Pediatric	140 mmHg (18.7 kPa)
Neonatal	100 mmHg (13.3 kPa)

NBP interval choices

Automatic measurements at configured interval of Off, 1, 2, 3, 5, 10, 15, 30, 60, 90 or, 120 minutes or STAT

Up to five interval programs can be defined



Predictive temperature

Measurement range	Monitored mode 26.7°C to 43.3°C (80.1°F to 109.9°F) Predictive mode 34.4°C to 40.6°C (93.9°F to 105.1°F)
Accuracy	±0.1°C (±0.2°F) Monitored mode
Measurement time	4-6 seconds Oral <16 seconds Axillary and rectal
Resolution	0.1°C (0.1°F)

Temporal temperature

Measurement range	16°C to 43°C (61°F to 110°F)
Accuracy	±0.1°C (±0.2°F) per ASTM E1112
Measurement time	<2 seconds
Arterial heat balance range for body temperature	34.5°C to 43°C (94°F to 110°F) Normal range is defined as 35.9°C to 37.5°C (96.6°F to 99.5°F) with mean of 37°C (98.6°F).
Resolution	0.1°C or 0.1°F on probe or on monitor

Masimo rainbow™ measurements

SpHb Accuracy	±1 g/dl (1.0 mmol/l); range 8 g/dl - 17 g/dl
RRa Accuracy	±1 breath per min.; range 4 - 70 breaths/min.

Total Hemoglobin (SpHb) and Acoustic Respiration (RRa), enabled with Masimo rainbow, is only supported on Adult (>30 kg) and Pediatric patients (>10 kg).

Philips FAST SpO₂

Measurement range	0% to 100%
Accuracy	70% to 100% ±2% to 4% for all approved sensors
Pulse rate	30 bpm to 300 bpm
Pulse rate accuracy	Within 2% or 1 bpm, whichever is greater
Wavelength range	500 nm to 1000 nm for all specified sensors

Masimo rainbow SET™ SpO₂

Measurement range	0% to 100%
Accuracy – Adults, pediatrics, infants, and neonates	Motion 70% to 100% ± 3% Low perfusion 70% to 100% ± 2%
Accuracy – Adults, pediatrics, infants	No motion 60% to 80% ± 3% 70% to 100% ± 2%
	No motion 70% to 100% ± 3% (neonates only)
Pulse rate	25 bpm to 240 bpm
Pulse rate accuracy – Adults, pediatrics, infants, and neonates	No motion ±3 bpm Motion ±5 bpm Low perfusion ±5 bpm
Wavelength range	500 nm to 1400 nm for all specified sensors

CO₂

Measurement range	0 mmHg to 150 mmHg
Sampling flow rate	50 ml/min, (+15 ml/min, -7.5 ml/min) flow measured by volume
CO ₂ reporting resolution	1 mmHg
etCO ₂ and imCO ₂ displayed resolution	1 mmHg
Initialization time	30 seconds (typical), maximum 3 minutes
Total response time for adults/pediatrics	3.9 seconds, for 10% to 90% changes in CO ₂ concentration
Maximum CO ₂ response time (with a standard-length FilterLine™)	5.3 seconds (typical)
Calibration interval	Initially 1,200 hours or one year (whichever comes first), once per year or 4,000 hrs (whichever comes first)
Accuracy	0 mmHg to 38 mmHg: ±2 mmHg 39 mmHg to 150 mmHg: ± (5% of reading + 0.08% for every 1 mmHg above 38 mmHg)
Respiration rate accuracy	±1 rpm in the range of 0 rpm to 70 rpm ±2 rpm in the range of 71 rpm to 120 rpm ±3 rpm in the range of 121 rpm to 150 rpm



Wireless

Networking standards IEEE 802.11a, 802.11b, 802.11d, 802.11e, 802.11g, 802.11h, 802.11i, 802.11n

WiFi transmit power settings

802.11a	6 Mbps 15 dBm (32 mW) 54 Mbps 12 dBm (16 mW)
802.11b	1 Mbps 16 dBm (40 mW) 11 Mbps 16 dBm (40 mW)
802.11g	6 Mbps 16 dBm (40 mW) 54 Mbps 12 dBm (16 mW)
802.11n (2.4 GHz)	6.5 Mbps (MCS0) 16 dBm (40 mW) 65 Mbps (MCS7) 12 dBm (16 mW)
802.11n (5 GHz)	6.5 Mbps (MCS0) 15 dBm (32 mW) 65 Mbps (MCS7) 12 dBm (16 mW)

Security standards

WEP, WPA, and WPA2

802.11X Extensible Authentication Protocol Type: EAP-FAST, EAP-TLS, EAP-TTLS, PEAP-GTC, PEAP-MSCHAPv2, PEAP-TLS, LEAP

WiFi certified

Cisco compatible

Typical receiver sensitivity¹

802.11a	6 Mbps -90 dBm 54 Mbps -73 dBm (PER <=10%)
802.11b	1 Mbps -89 dBm 11 Mbps -82 dBm (PER <=10%)
802.11g	6 Mbps -85 dBm 54 Mbps -68 dBm (PER <=10%)
802.11n (2.4 GHz)	MCS0 Mbps -86 dBm MCS7 Mbps -65 dBm
802.11n (5 GHz)	MCS0 Mbps -90 dBm MCS7 Mbps -70 dBm

Note: All values nominal, +/-3 dBm.

Antenna test specifications

Type	Dipole
Maximum 2.4 GHz gain	2 dBi
Maximum 5.6 GHz gain	4.0 dBi



Masimo is a registered trademark of Masimo Corporation. Microstream and Covidien are trademarks of Medtronic companies. Welch Allyn is a registered trademark of Hillrom. Exergen is a registered trademark of Exergen Corporation and TemporalScanner is a trademark of Exergen. All other trademarks are property of their respective owners.

© 2019 Koninklijke Philips N.V. All rights reserved.

www.philips.com

www.philips.com/healthcare

4522 991 45141 * OCT 2019



Model: FG354060 Slim Jim (23 Gal./Gray)
Category: Waste Can
Subcategory: 20-31 Gallon
Manufacturer: Rubbermaid Commercial Products
Catalog #: FG354060GRAY

Atta 3 ID: WST-9DF14
Atta ID: 5407-019
JSN:
RefID 1:
RefID 2:

23-gallon waste. Venting channels, Four bag cinches. Handles at the base and rim of the container. Rim with rib-strengthened design. Custom imprinting available. Gray.

General Production Detail

Arch Sig: No	Spatial Sig: No
Arch Code: 03-Movable Non-Electrical	ADA: No
Critical Path: No	Antimicrobial: No
Type: Non-Medical	Green: No
Furnish Install: Owner / Owner	

Physical Requirements

Width (in.): 11.0000	Left (in.): N/A
Depth (in.): 22.0000	Right (in.): N/A
Height (in.): 30.0000	Front (in.): N/A
Product Weight (lbs): 7.8000	Back (in.): N/A
Max Operating Weight (lbs):	Top (in.): N/A
Mounting: Floor	Bottom (in.): N/A
Specification notes:	

Structural Requirements

Seismic: No	OPA #:
	Pre-Approval:
Structural notes:	

Technology Requirements

Patient Data: No	Network:
Connection Type: N/A	System:
Technical Connection notes:	

Electrical Requirements

Volts:	Watts: N/A
Hz: N/A	Amps: N/A
KVA:	Circuit: No
UPS: N/A	Plug Type: N/A
Emerg. Power: No	Plug Detail:
Other Volts Avail.: No	Electrical Phase: N/A
BTU/hr: N/A	
Electrical notes:	

Utility Requirements

Water - Cold: No	Gas Type:
Water - Hot: No	Gas Location:
Water - Treated: No	Medical Gas: No
Drain: No	Vent Type:
Drain Location:	Heat Dissipation: N/A
Steam: No	Dissipation Type: Actual
Vacuum - Den. / Med.: No/No	
Plumbing notes:	
Mechanical notes:	

Locations

Level	Arch Dept	Room	Room #	Status	Item Qty
Level 1	Nuclear Medicine	Nuc Med GE PET/CT	1618	New	1

Total: 1

JANITORIAL CLEANING CART LOCKING DOOR KIT – TRADITIONAL



FG618100YEL

EXECUTIVE LOCKING SECURITY HOOD – HIGH-CAPACITY



FG9T8600BLA

EXECUTIVE WASTE COVER BAG LID WITH STORAGE – HIGH-CAPACITY



FG617900BLA

EXECUTIVE CLEANING CART LOCKING DOOR KIT - HIGH-CAPACITY



1995833

Storage Kits and Casters

NO.	COLOR	DESCRIPTION	U.S. DIMENSIONS	U.S. SHIP WT/CTN	METRIC DIMENSIONS	METRIC SHIP WT/CTN	PACK
FG618100	YEL	Locking Cabinet Doors	20" l x 16" w x 11.25" h	7.83 lb	50.8 cm x 40.6 cm x 28.6 cm	3.6 kg	1
1861443	BLA	Executive Janitorial Cleaning Cart Locking Door Kit – Traditional, Black	19.32" l x 5.45" w x 15.01" h	7.83 lb	49.1 cm x 13.8 cm x 19.3 cm	3.5 kg	1
FG9T8600	BLA	Executive Preamsembled Locking Security Hood	9.5" l x 17" w x 19" h	8.0 lb	24.1 cm x 43.2 cm x 48.3 cm	3.6 kg	1
FG617900	BLA	Executive Cart Waste/Bag Lid with Storage – High-Capacity	17.63" l x 12.5" w x 2.38" h	3.0 lb	44.8 cm x 31.8 cm x 6 cm	1.4 kg	1
1868991	BLACK	Executive Cart Waste/Bag Lid – High-Capacity	17.63" l x 12.5" w x 2.38" h	3.0 lb	44.8 cm x 31.8 cm x 6 cm	1.4 kg	1
1878367*	DARK GRAY	Executive Quiet Caster and Ball-Bearing Wheel Kit	N/A	N/A	N/A	N/A	1

*Compatible with all Cleaning Carts, pages 182-185 (excluding FG617388 on page 183)
 **Compatible with Traditional Housekeeping Carts on page 142 and Steel Housekeeping Carts

SLIM JIM® CONTAINER



FG354060GRAY

SLIM JIM® RECYCLING CONTAINER



FG354007BLUE

BRUTE® 44-GALLON CONTAINER



FG264360BLA



BRUTE® 32-GALLON CONTAINER



FG263200GRAY

Slim Jim® and BRUTE® Containers

NO.	COLOR	DESCRIPTION	U.S. DIMENSIONS	U.S. SHIP WT/CTN	METRIC DIMENSIONS	METRIC SHIP WT/CTN	PACK
FG354060	GRAY, BLA, BEIG	Slim Jim® with Venting Channels	22" l x 11" w x 30" h	30.6 lb	55.9 cm x 27.9 cm x 76.2 cm	13.9 kg	4
FG354007	GRN, BLUE	Slim Jim® with Venting Channels – Recycling	22" l x 11" w x 30" h	30.6 lb	55.9 cm x 27.9 cm x 76.2 cm	13.9 kg	4
FG263200	YEL, WHT, RED, GRAY, DGRN, BLUE	BRUTE® 32-Gallon Container	22" dia x 27.25" h	49.5 lb	55.9 cm dia x 69.2 cm	22.5 kg	6
1867531	BLACK	Executive BRUTE® 32-Gallon Container	22" dia x 27.25" h	49.5 lb	55.9 cm dia x 69.2 cm	22.5 kg	6
FG264360	YEL, RED, GRAY, BLUE, BLA	BRUTE® 44-Gallon Utility Container with Venting Channels	24" dia x 31.5" h	49.5 lb	61 cm dia x 80 cm	22.5 kg	4

For more options, see *Utility Refuse and Recycling*.

UTILITY REFUSE AND RECYCLING

DECORATIVE REFUSE

CLEANING

MATERIAL HANDLING

WASHROOM

FOODSERVICE

ACCESSORIES & INDEX





Model:FMO-15U-OM (Ohmeda Male)
Category: Flowmeter
Subcategory: Oxygen
Manufacturer:Amico Corporation
Catalog #: FMO-15U-OM

Atta 3 ID: FLW-779C7
Atta ID: 3803-149
JSN:
RefID 1:
RefID 2:

Oxygen flowmeter with 15 LPM flow range, Ohmeda Male connection. No-strip D shaped knob, chrome brass body, color coded inner tube and labeling. Includes inlet filter and extension. Available with any connector fittings, and on Y-Blocks or splitters.

General Production Detail

Arch Sig: No	Spatial Sig: No
Arch Code: 03-Movable Non-Electrical	ADA: No
Critical Path: No	Antimicrobial: No
Type: Medical	Green: No
Furnish Install: Owner / Owner	

Physical Requirements

Width (in.): 2.7000	Left (in.): N/A
Depth (in.): 1.5000	Right (in.): N/A
Height (in.): 5.6000	Front (in.): N/A
Product Weight (lbs): 1.0000	Back (in.): N/A
Max Operating Weight (lbs):	Top (in.): N/A
Mounting: Wall	Bottom (in.): N/A
Specification notes:	

Structural Requirements

Seismic: No	OPA #:
	Pre-Approval:
Structural notes:	

Technology Requirements

Patient Data: No	Network:
Connection Type: N/A	System:
Technical Connection notes:	

Electrical Requirements

Volts:	Watts: N/A
Hz: N/A	Amps: N/A
KVA:	Circuit: No
UPS: N/A	Plug Type: N/A
Emerg. Power: No	Plug Detail:
Other Volts Avail.: No	Electrical Phase: N/A
BTU/hr: N/A	
Electrical notes:	

Utility Requirements

Water - Cold: No	Gas Type: N/A
Water - Hot: No	Gas Location:
Water - Treated: No	Medical Gas: No
Drain: No	Vent Type:
Drain Location:	Heat Dissipation: N/A
Steam: No	Dissipation Type: Actual
Vacuum - Den. / Med.: No/No	
Plumbing notes:	
Mechanical notes:	

Locations

Level	Arch Dept	Room	Room #	Status	Item Qty
Level 1	Nuclear Medicine	Nuc Med GE PET/CT	1618	New	1

Total: 1

Technical Specifications - Thorpe Style

Dimensions	5.6" H x 2.7" W (14.22 cm x 6.86 cm)			
Weight	6 oz (170 g)			
Flow Range	Oxygen:	0 - 70 LPM	Medical Air:	0 - 70 LPM
		0 - 15 LPM		0 - 15 LPM
	0 - 8 LPM			
	0 - 3.5 LPM			
	0 - 1 LPM			
	0 - 200 CCM			

- Back pressure compensated so flow accuracy is not affected by restrictions
- Calibrated at 50 psig (3.4 bar)
- Serialized for ease of identification

Technical Specifications - Dial Style

Dimensions	2.4" H x 1.3" W		
Weight	3 oz (90 g)		
Flow Range	Oxygen:	0 - 25 LPM	0, 0.5, 1, 2, 3, 4, 6, 8, 10, 15, 20, 25
		0 - 15 LPM	0, 0.5, 1, 1.5, 2, 3, 4, 5, 6, 8, 10, 15
		0 - 8 LPM	0, 0.5, 1, 1.5, 2, 2.5, 3, 4, 5, 6, 7, 8
		0 - 4 LPM	0, 0.03, 0.06, 0.12, 0.25, 0.5, 0.75, 1, 1.5, 2, 3, 4
	Medical Air:	0 - 15 LPM	0, 0.5, 1, 1.5, 2, 3, 4, 5, 6, 8, 10, 15
		0 - 25 LPM	0, 0.5, 1, 2, 3, 4, 6, 8, 10, 15, 20, 25

- Calibrated at 50 psig (3.4 bar)
- Serialized for ease of identification

Model Numbers

FMO-15U-OM

FMX-XXY-XX(YY)*

Gas
O = Oxygen
A = Medical Air

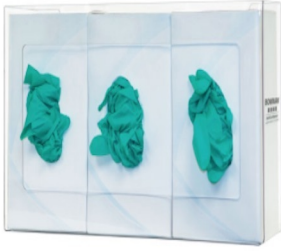
LPM
02 = 200 CCM
01 = 1 LPM
03 = 3.5 LPM
08 = 8 LPM
15 = 15 LPM
70 = 70 LPM

Color Coding
U = USA
I = ISO

Connection Type
F2 = 1/8" FNPT
DH = DISS Handtight
DN = DISS Nut
OM = Ohmeda Male
CM = Chemtron Male
PB = Puritan Bennett
MS = Medstar
OX = Oxequip
BM = British Male
GM = German Male (DIN)
FM = French Male
DO = DISS Outlet

*Options
PT = Power Takeoff
-D = Dial
-M = MR Conditional**
-S = Swivels
-K = Metal Swivel with Chain

** Some restrictions apply



Model: GP-015 Clear PETG Plastic
Category: Dispenser, Glove
Subcategory: Triple Box
Manufacturer: Bowman Dispensers
Catalog #: GP-015

Atta 3 ID: GLV-12461
Atta ID: 6364-011
JSN:
RefID 1:
RefID 2:

Triple box glove dispenser. Holds three boxes of gloves. Two-way keyholes for wall mounting vertical or horizontal. Made of clear PETG plastic. Shipped 6/case.

General Production Detail

Arch Sig: Yes	Spatial Sig: No
Arch Code: 01-Fixed Equipment	ADA: No
Critical Path: No	Antimicrobial: No
Type: Medical	Green: No
Furnish Install: Owner / Contractor	

Electrical Requirements

Volts:	Watts: N/A
Hz: N/A	Amps: N/A
KVA:	Circuit: No
UPS: N/A	Plug Type: N/A
Emerg. Power: No	Plug Detail:
Other Volts Avail.: No	Electrical Phase: N/A
BTU/hr: N/A	
Electrical notes:	

Physical Requirements

Width (in.): 15.9500	Left (in.): N/A
Depth (in.): 3.9500	Right (in.): N/A
Height (in.): 10.1000	Front (in.): N/A
Product Weight (lbs): 1.0000	Back (in.): N/A
Max Operating Weight (lbs):	Top (in.): N/A
Mounting: Wall	Bottom (in.): N/A
Specification notes:	

Utility Requirements

Water - Cold: No	Gas Type:
Water - Hot: No	Gas Location:
Water - Treated: No	Medical Gas: No
Drain: No	Vent Type:
Drain Location:	Heat Dissipation: N/A
Steam: No	Dissipation Type: Actual
Vacuum - Den. / Med.: No/No	
Plumbing notes:	
Mechanical notes:	

Structural Requirements

Seismic: No	OPA #:
Pre-Approval:	
Structural notes:	

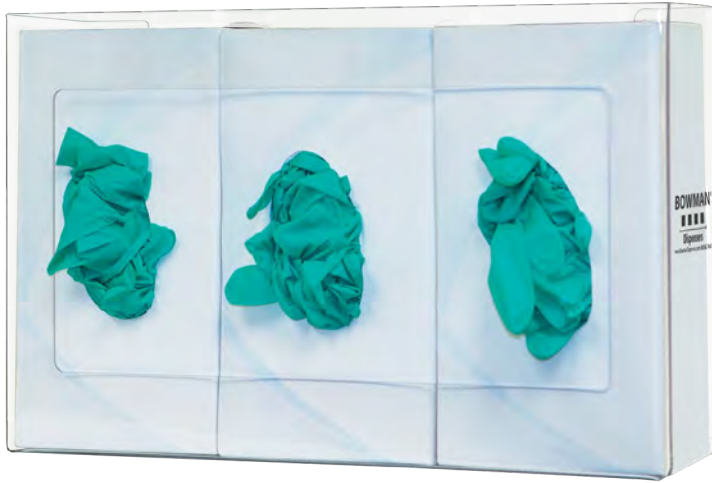
Technology Requirements

Patient Data: No	Network:
Connection Type: N/A	System:
Technical Connection notes:	

Locations

Level	Arch Dept	Room	Room #	Status	Item Qty
Level 1	Nuclear Medicine	Nuc Med GE PET/CT	1618	New	1

Total: 1



MADE IN THE USA

Related Products (each sold separately):

- GP-013: Glove Box Dispenser - Single (shown below)
- GP-014: Glove Box Dispenser - Double
- GP-060: Glove Box Dispenser - Quad



Product Description:

- Glove Box Dispenser - Triple
- Holds three boxes of gloves
Two-way keyholes for vertical or horizontal mounting
- Clear PETG Plastic

Primary Area for Product Usage:

- Anywhere gloves are needed

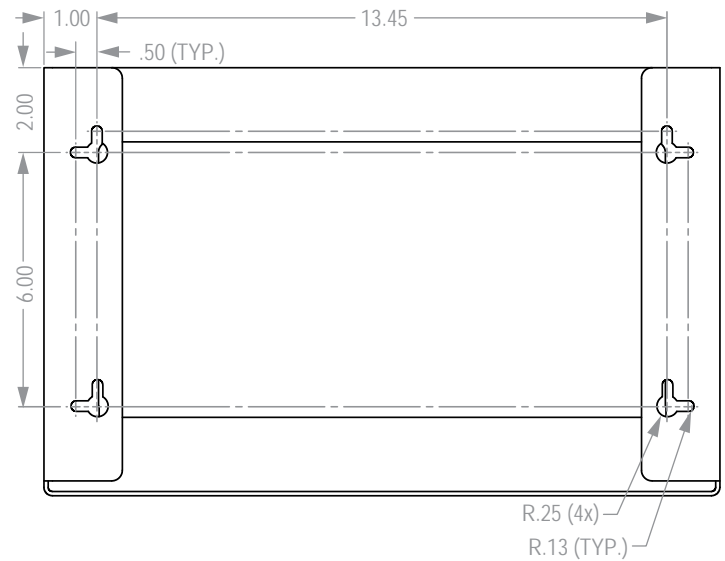
Dispenses:

- Box(es) no larger than 5.25"W x 10.00"H x 3.75"D (10.8 cm x 25.4 cm x 9.5 cm)
- Box(es) no smaller than 4.25"W x 8.00"H x 2.75"D (13.3 cm x 23.0 cm x 7.0 cm)

Product Specifications (overall external dimensions):

- 15.95"W x 10.10"H x 3.95"D (40.5 cm x 25.7 cm x 10.0 cm)
- 1.0 lb (0.4 kg) - approximated

Mounting Specifications:



Package Specifications:

- Package Quantity: 6 per case
- 21"W x 14"H x 10"D (53.3 cm x 35.6 cm x 25.4 cm)
- 8.0 lbs (3.6 kg) - approximated
- Package Quantity: 1 per case
- 16"W x 12"H x 12"D (40.6 cm x 30.5 cm x 30.5 cm)
- 2.0 lbs (0.9 kg) - approximated

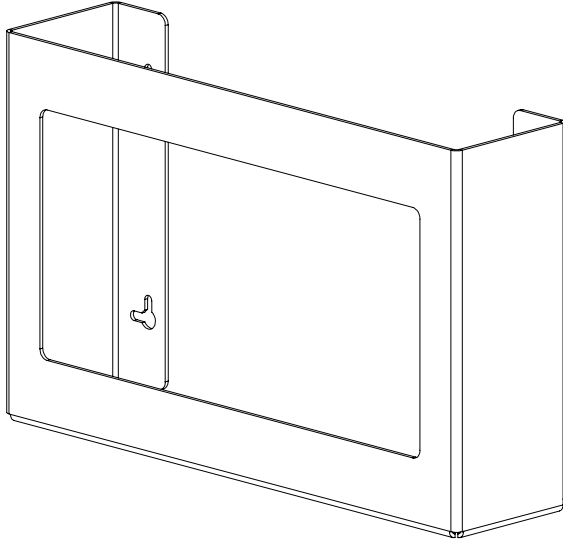




Installation

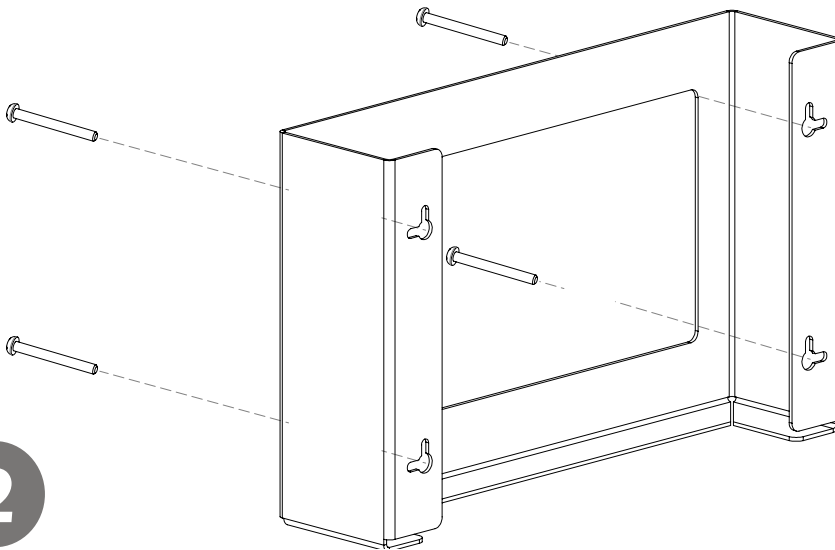
Always mount dispensers securely *prior* to loading with product.

- Clear material allows view of box details.



1

- Mount securely to a wall with screws approved and supplied by building maintenance.



2

Parts included:

- Dispenser

Tools Required:

- No tools required to assemble dispenser

Care and Construction

PETG Plastic

Material Characteristics

Designed for Long-Term, Heavy-Duty Applications

Copolyester resin is designed for heavy-duty applications, and is used by BOWMAN® Dispensers. We never use acrylic in our products.

Copolyester (PETG) is typically 15-20 times tougher than general purpose acrylic. PETG is made to withstand handling and reduce losses due to breakage.

PETG resists a variety of chemicals and commonly used cleaning agents. It is tough and durable (not brittle), providing years of trouble-free functionality and long life.

Clear optical characteristics mean the viewer can see the content, read text, and see true colors through the material. It complies with FDA regulations for food contact.

Care and Cleaning

Most cleaning chemicals do not weaken the surface or cause damage to the material. Suggested cleaning method is to use a soft cloth, warm water, and mild soap.



Model: MAC 5500 HD w/Cart
Category: Electrocardiograph (ECG)
Subcategory: Interpretive
Manufacturer: GE Healthcare - Cardiology
Catalog #: 2053900-013/Cart

Atta 3 ID: ECG-5FDB8
Atta ID: 3768-092
JSN:
RefID 1:
RefID 2:

Interpretive ECG for high volume environments. Features: DMarquette Hookup Advisor which indicates lead signal quality by reviewing ECG waveform for signs and causes of artifact. Marquette 12SL with Gender-Specific interpretation which makes detecting acute myocardial infarction (MI) in women easier. Simultaneous 14-lead acquisition, storage and assessment which offers more ST measurements to facilitate prompt detection of right ventricular and posterior MI. Enhanced Pacemaker-Detection Software. Serial ECG Comparisons via seamless integration with the MUSE cardiology information system which permits analysis of short- and long-term changes in patient's ECG.

General Production Detail

Arch Sig: Yes	Spatial Sig: No
Arch Code: 02-Movable Electrical	ADA: No
Critical Path: No	Antimicrobial: No
Type: Medical	Green: No
Furnish Install: Owner / Owner	

Electrical Requirements

Volts: 115	Watts: 58.0000
Hz: 60	Amps: 0.5000
KVA:	Circuit: No
UPS: N/A	Plug Type: Type B (Nema 5-15)
Emerg. Power: No	Plug Detail:
Other Volts Avail.: Yes	Electrical Phase: Single Phase
BTU/hr: N/A	
Electrical notes:	

Physical Requirements

Width (in.): 19.0000	Left (in.): N/A
Depth (in.): 27.0000	Right (in.): N/A
Height (in.): 40.7500	Front (in.): N/A
Product Weight (lbs): 81.0000	Back (in.): N/A
Max Operating Weight (lbs):	Top (in.): N/A
Mounting: Floor - Mobile	Bottom (in.): N/A
Specification notes:	

Utility Requirements

Water - Cold: No	Gas Type:
Water - Hot: No	Gas Location:
Water - Treated: No	Medical Gas: No
Drain: No	Vent Type:
Drain Location:	Heat Dissipation: N/A
Steam: No	Dissipation Type: Actual
Vacuum - Den. / Med.: No/No	
Plumbing notes:	
Mechanical notes:	

Structural Requirements

Seismic: No	OPA #:
	Pre-Approval:
Structural notes:	

Technology Requirements

Patient Data: No	Network:
Connection Type: Data	System:
Technical Connection notes:	

Locations

Level	Arch Dept	Room	Room #	Status	Item Qty
Level 1	Nuclear Medicine	Control Room	1619A	Existing	1

Total: 1

MAC 5500 HD ECG System



Built on GE's innovation in ECG acquisition and analysis, the MAC* 5500 HD is GE's premier ECG system, delivering advanced disease management capabilities through one of the industry-leading collections of algorithms and advanced networking.

The MAC 5500 HD system offers the sophistication required for advanced ECG applications, while its ease of use extends this level of performance to a broad range of possible users. And, it's part of the complete GE suite of networked, non-invasive testing solutions designed to maximize patient throughput and department productivity.

- Advanced algorithms in ECG analysis and interpretation.
- Easy-to-use applications and features streamline productivity and workflow.
- Enhanced connectivity when combined with MUSE* Cardiology Information System to speed data storage and ECG retrieval.

Clinical validity and ECG analysis.

GE Healthcare has steadily expanded its electrocardiograph-based suite of ECG analysis programs and capabilities through diligent research and development.

- **Regular clinical input from the world's top consulting cardiologists and physicians** helps our own research and development engineers enhance our programs.
- **Ongoing acquisition of clinically correlated databases** allows us to continually evaluate and verify our algorithm performance. Use of the same patient assessment tests employed by practicing physicians helps ensure clinically accurate values.
- **Rapid assessments and improvements on very large databases**, using sophisticated analysis techniques developed by our own engineers, enable us to quickly evaluate the accuracy of our ECG analysis programs.

A comprehensive suite of analysis algorithms for advanced ECG applications.

GE Marquette* ECG analysis programs are a preferred choice in a variety of care settings and industries, including hospitals, clinics, physician offices, and clinical research organizations (CROs).

- **Marquette 12SL* ECG analysis program for adults and pediatrics** – one of the industry's most thoroughly documented, simultaneous 12-lead ECG acquisition analysis programs.



- **Marquette Hookup Advisor* signal quality analysis program** makes our world-renowned ECG analysis program even better. This software reviews and measures ECG waveforms for signs of artifact and interference, advising clinicians of poor waveform quality during ECG recordings.
- **Marquette 12SL with Gender-Specific interpretation** features criteria that help you more easily detect acute myocardial infarction (MI) in female patients, enhancing diagnostic confidence.
- **ACS (Acute Coronary Syndrome)** analysis option assists the physician in the ECG assessment of a patient suspected of having ACS and provides additional diagnostic statements, which identify specific lead sets where signs of ACS may be present.
- **Critical Values** feature enables onscreen and printed notification of critical ECG results to enable easy identification and accelerated reporting of critical values. User-defined critical values and customized notification text add flexibility needed to support the differences in notification policies from one facility to another.
- **Marquette 12SL with ACI-TIPI (Acute Cardiac Ischemia Time-Insensitive Predictive Instrument)** considers a patient's age, gender, and chief complaint, as well as ECG measurements, to generate a numerical score that helps predict the probability of acute cardiac ischemia. This optional program provides important additional triage information for patients with chest pain.
- **Simultaneous 15-lead acquisition, storage, and assessment** provides additional ST measurements for the detection of changes that occur in some non-diagnostic 12-lead cases to facilitate the prompt detection of right ventricular and posterior MI.
- **P-Wave Signal Averaging** option for atrial arrhythmia assessment features a patented templating algorithm that enhances P-wave measurement accuracy.
- **Hi-Res Late Potential Analysis** option supports ventricular arrhythmia assessment, with an intuitive design that creates a practical, non-invasive alternative to involved invasive testing.

- **High Definition Pacemaker-Detection Software** improves the ability to accurately detect the presence of pacemaker spikes along with adding the capability to detect and report the underlying rhythm.
- **Serial ECG Comparisons**, through the MUSE cardiology information system, leverage the Marquette 12SL ECG analysis program and analyze both short and long-term changes in patients' ECGs.

Improving access with workflow and connectivity.

Full connectivity allows you to tap into the power of GE's MUSE cardiology information system – a top cardiology management system – for streamlined workflow and higher functionality. Networked access helps deliver improved efficiency and decision support.

- Optional Ethernet and MobileLink* wireless capabilities permit bi-directional communication with the MUSE system so you can quickly retrieve, manage, and archive patient data while reducing the potential for errors. Also helps meet ACC/AHA guidelines for time-to-cardiologist overread and time-to-treatment goals.
- Quickly access procedure requests and download patient demographic data from the MUSE system and Order Manager. This functionality reduces time-consuming patient data entry and minimizes delays in procedure billing.
- Review results or access the computer ECG patient record remotely, any time of day or night, using the Remote Query option for more responsive patient care.
- Access results from the clinic, office, or other remote facilities using a standard modem for maximum decision-making efficiency.
- Secure digital memory card facilitates external archive capabilities.
- Export and archive data in XML format for flexible, open communications.
- Barcoding option assists in fulfilling safety goals for accurate patient identification.

Quality design and innovation expands your capabilities.

Specifically designed to enhance your entire staff's efficiency, the MAC 5500 HD system combines technological advances with ease-of-use features in one system.

- Digital CAM-HD acquisition module helps reduce noise and artifact for clearer ECG tracings and improved accuracy in detecting the presence of pacemaker spikes.
- Large field-of-view display provides a clear view of the screen from any angle.
- Analog ECG output facilitates easy integration with other cardiac-diagnostic devices, such as echocardiography and nuclear medicine systems.
- Extensive customization – including display and final-report formatting – accommodates individual user preferences.
- Stress option incorporates GE's proven exercise-testing technologies. Signal-acquisition advances help reduce baseline wander and ST-segment distortion to generate clearer, more defined ECGs.
- Barcode and magnetic card reader options help reduce errors by automating the input of patient data.
- Security protocols and user-configurable password protection help address data security and HIPAA concerns.
- Trolley design features a convenient holder for the acquisition module, ample writing surface area, wide bins, and a covered storage compartment.
- Compact system design offers easy mobility.



Instrument type

Microprocessor-augmented automatic electrocardiograph;
14-leadwire acquisition with programmable lead configuration

Feature	Specification
Processing	
ECG Interpretation	Marquette* 12SL* ECG Analysis Program for Adults and Pediatrics
Computerized Measurements	15-lead analysis includes measurements of user-selectable additional 3 leads
Optional	Hi-Res Late Potential Analysis and P-Wave Signal – Averaged ECG
Additional ECG Function	Vectorcardiography
ECG Analysis Frequency	500 samples/second (sps)
ECG Storage	200 ECGs in internal memory
External Archiving	Secure Digital card
Digital Sampling Rate	16,000 samples/second/channel
Pre-Acquisition	Provides 10 seconds of instantaneous ECG acquisition
Dynamic Range	AC Differential ± 5 mV, DC offset ± 300 mV
Resolution	4.88 μ V/LSB @ 250 sps, 4.88 μ V/LSB @ 500 sps
Frequency Response	-3 dB @ 0.01 to 150 Hz
Common Mode Rejection	>140 dB (123 dB with AC filter disabled)
Input Impedance	>10M Ω @ 10 Hz, defibrillator protected
Patient Leakage	<10 μ A
Pace Detection	Meets or exceeds ANSI/AAMI EC11-1991 standards
Pace Digital Sampling Rate	75,000 samples/second/channel
Pace Pulse Width	as low as 0.2 ms in duration
Pace Pulse Amplitude	as low as 0.5 mV in amplitude
Special Acquisition Functions	Disconnected lead detection, electrode impedance, excessive AC noise, baseline wander, and muscle tremor messages
Heart Rate Meter	30 to 300 BPM $\pm 10\%$ or 5 BPM, whichever is greater. Heart rates outside this range will not be displayed
Communications	
MUSE Cardiology Information System compatible	
CardioSoft compatible EMR connectivity via MUSE Cardiology Information System or CardioSoft	
Serial Cable	
Internal modem/fax	
Optional	<p>Remote Retrieval (Remote Query),</p> <p>MobileLink wireless (requires additional MUSE communications software and installation):</p> <ul style="list-style-type: none"> - Enhanced Security WPA and WPA2 (personal and enterprise modes). PAP, MS-CHAPv2, 802.1x/EAP with TLS/TTLS/LEAP/PEAP/FAST, WEP (PEAP requires network evaluation/approval prior to purchase) - Ultra-High Security MobileLink (FIPS 140-2) <p>LAN (requires additional MUSE communications software and installation)</p> <ul style="list-style-type: none"> - Communication with MUSE over LAN thru internal RJ-45 jack

Feature	Specification
Display	
Display Type	10.4 in (264 mm) diagonal graphics backlit color AM LCD
Display Resolution	640 x 480 pixels with waveform enhancement
Display Data	Heart rate, patient name, ID, clock, waveforms, lead labels, speed, gain and filter settings, warning messages, prompts, and help messages
Writer	
Writer Technology	Thermal dot array
Writer Speeds	5, 12.5, 25, and 50 mm/s
Number of Traces	3, 6, 12, or 15 user selectable
Writer Sensitivity/Gain	2.5, 5, 10, 20, 10/5 (split calibration) mm/mV
Writer Speed Accuracy	±2%
Writer Amplitude Accuracy	±5%
Writer Resolution	Horizontal 1000 dpi @ 25 mm/s, 200 dpi vertical
Paper Type	Thermal, Z-fold, perforated, fan fold, 300 sheets/pack
Paper Size	A Size: 8.5 in x 11 in, (214.6 mm x 280 mm) A4 Size: 8.27 in x 11.7 in (210 mm x 297.5 mm)
Keyboard	
Type	Sealed elastomer with soft function keys, alphanumeric keys, writer controls, and TrimPad cursor controls
Electrical	
Power Supply	AC or battery operation
Voltage	100 to 240 VAC
Current	0.5A @ 115 VAC, 0.3A @ 240 VAC, typical, 0.85A max
Frequency	50 to 60 Hz
Battery Type	User replaceable, 18V @ 3.5 AH ±10% rechargeable NiMH
Battery Capacity	100 single page reports, (typical) or six hours continuous display (without printing)
Battery Charge Time	Approximately 4.5 hours from total discharge (with display off)
Vectorcardiography	
Report Formats	Vector loops of component vectors (P, QRS, ST-T)
Sensitivity	20, 40, 80, or 160 mm/mV
Time Resolution	2 ms
Hi-Res Late Potential Analysis and P-Wave Signal- Averaged ECG	
Sensitivities	
Raw Data Template	20 mm/mV
Average Beat	20 mm/mV and 50 mm/mV
Filtered Signals and Vector Magnitude	1 mm/μV
Analysis Sampling Rate	1,000 samples/second/channel
Digital Sampling Rate	16,000 samples/second/channel
High/Low Pass Filters	Special filter using Fast Fourier Transform (FFT)

Feature	Specification
Physical Specifications	
Height	3.7 in (9.4 cm) [†] with display closed
Width	15 in (38.1 cm) [†]
Depth	13.8 in (35.1 cm) [†]
Weight	Approximately 6.8 kg (15 lbs) [†] including battery, without paper
Environmental Specifications	
Temperature	
Operating	50° to 104° F (10° to 40° C)
Transport/Storage	-40° to 158° F (-40° to 70° C)
Humidity	
Operating	20% to 95% RH non-condensing
Transport/Storage	15% to 95% RH non-condensing
Pressure	
Operating	700 to 1060 hPA
Transport/Storage	500 to 1060 hPA
Magnetic Card Reader Specifications	
Character Set	ANSI/ISO ALPHA alphanumeric characters and ANSI/ISO BCD (subset of ASCII [ISO 646 IRV:1991])
Bar Code Scanner Specifications	
Symbologies	Code 39 (extended), PDF-417, Code 128, Data Matrix, Interleaved 2 of 5
Modular MAC Trolley Dimensions	
Height	37 in (94 cm)
Width	19 in (47 cm)
Depth	27 in (69 cm)
Height with Acquisition module holder	59 in (150 cm)
Weight	66 lbs. (30 kg) ^{††}
Options	Barcode scanner holder

[†] Without trolley

^{††} Without resting ECG system

Certification

UL certified, CSA certified

Warranty

Standard warranty is one year for MAC 5500 HD and Modular MAC Trolley

Ordering Information

Available in: Simplified Chinese, Czech, Danish, Dutch, English, Finnish, French, German, Hungarian, Italian, Japanese, Norwegian, Polish, Spanish, and Swedish.

Visit gehealthcare.com or contact your local GE Healthcare representative.

Accessories available from www.gehealthcare.com

©2011 General Electric Company – All rights reserved.

General Electric Company reserves the right to make changes in specifications and features shown herein, or discontinue the product described at any time without notice or obligation. Contact your GE Representative for the most current information

* GE, GE Monogram, MAC, Marquette, Marquette Hookup Advisor, Marquette 12SL, MobileLink, and MUSE are trademarks of General Electric Company.

GE Medical Systems Information Technologies, Inc., a General Electric Company, doing business as GE Healthcare.

About GE Healthcare

GE Healthcare provides transformational medical technologies and services that are shaping a new age of patient care. Our broad expertise in medical imaging and information technologies, medical diagnostics, patient monitoring systems, drug discovery, biopharmaceutical manufacturing technologies, performance improvement, and performance solutions services helps our customers to deliver better care to more people around the world at a lower cost. In addition, we partner with healthcare leaders, striving to leverage the global policy change necessary to implement a successful shift to sustainable healthcare systems.

Our “healthymagination” vision for the future invites the world to join us on our journey as we continuously develop innovations focused on reducing costs, increasing access, and improving quality around the world. Headquartered in the United Kingdom, GE Healthcare is a unit of General Electric Company (NYSE: GE). Worldwide, GE Healthcare employees are committed to serving healthcare professionals and their patients in more than 100 countries. For more information about GE Healthcare, visit our website at www.gehealthcare.com.

GE Healthcare
P.O. Box 900, FIN-00031 GE, Finland
Tel. +358 10 394 11
Fax +358 9 146 3310

www.gehealthcare.com



GE imagination at work

EMEA DOC1000537 7/11
(Global version DOC0982267)



Model: Medrad Stellant FLEX with Certegra and OCS
Category: Injector, Contrast Media
Subcategory: Ceiling Mount
Manufacturer: Bayer HealthCare Radiology
Catalog #:

Atta 3 ID: INJ-09475
Atta ID: 3909-019
JSN:
RefID 1:
RefID 2:

Ceiling mounted contrast media injector Overhead Counterpoise System mount. Features: Colored beacon technology, 0.1–10 mL/sec in 0.1 mL increments flow rate, 1 mL to Syringe Capacity in 1 mL increments volume, 0–300 Seconds (5 minutes) in 1 Second increments scan reminders and 1–900 Seconds (15 minutes) in 1 second increments pause. 150 mL or 200 mL Sterile Disposable Syringe. 20 Minutes max HOLD time and 6 maximum number of phases. Actual ceiling plate for the OCS to be installed by contractor. Includes Certegra workstation. **Configurable per site, actual list price may vary. See manufacturer for site specific pricing and documentation.

General Production Detail

Arch Sig: Yes	Spatial Sig: No
Arch Code: 01-Fixed Equipment	ADA: No
Critical Path: No	Antimicrobial: No
Type: Medical	Green: No
Furnish Install: Owner / Contractor	

Physical Requirements

Width (in.): 11.0000	Left (in.): N/A
Depth (in.): 9.0000	Right (in.): N/A
Height (in.): 11.3000	Front (in.): N/A
Product Weight (lbs): 13.6000	Back (in.): N/A
Max Operating Weight (lbs):	Top (in.): N/A
Mounting: Ceiling	Bottom (in.): N/A
Specification notes:	

Structural Requirements

Seismic: Yes	OPA #:
	Pre-Approval:
Structural notes:	

Technology Requirements

Patient Data: No	Network:
Connection Type: Data	System:
Technical Connection notes:	

Electrical Requirements

Volts: 120	Watts: 300.0000
Hz: 60	Amps: 2.5000
KVA:	Circuit: No
UPS: N/A	Plug Type: Type B (Nema 5-15)
Emerg. Power: No	Plug Detail:
Other Volts Avail.: Yes	Electrical Phase: Single Phase
BTU/hr: N/A	
Electrical notes:	

Utility Requirements

Water - Cold: No	Gas Type:
Water - Hot: No	Gas Location:
Water - Treated: No	Medical Gas: No
Drain: No	Vent Type:
Drain Location:	Heat Dissipation: N/A
Steam: No	Dissipation Type: Actual
Vacuum - Den. / Med.: No/No	
Plumbing notes:	
Mechanical notes:	

Locations

Level	Arch Dept	Room	Room #	Status	Item Qty
Level 1	Nuclear Medicine	Nuc Med GE PET/CT	1618	New	1

Total: 1



The New FLEX Appeal



medrad® Stellant FLEX
CT Injection System



System Specifications

	Height	Width	Depth	Weight
Dual Injector Head	14.5" (36.8 cm)	12.1" (30.7 cm)	6.0" (15.2 cm)	16.8 lb (7.6 kg) <i>(without syringe)</i>
Base Unit	11.3" (28.6 cm)	11.0" (27.9 cm)	9.0" (22.9 cm)	13.6 lb (6.2 kg)
Certegra® Workstation 3.0 (CWS)	10.2"-10.8" (25.9-27.3 cm)	15.1" (38.4 cm)	6.8"-7.9" (17.3-20.2 cm)	15.8 lb (7.2 kg)

Injection Specifications

Flow Rate (range & increments):
0.1–10 mL/sec in 0.1 mL Increments

Volume (range & increments):
1 mL to Syringe Capacity in
1 mL Increments

**Programmable Pressure
Limit (psi/kPa):**
150 mL and 200 mL Syringe: Choice of 50/345, 100/689, 150/1034,
200/1379, 225/1551, 250/1724, 300/2068, 325/2241

Scan Reminders:
0–300 Seconds (5 minutes)
in 1 Second Increments

Pause:
1–900 Seconds (15 minutes)
in 1 Second Increments

Hold:
Maximum HOLD Time is 20 Minutes

Syringes (Volume capacity):
150 mL or 200 mL Sterile Disposable Syringe

Maximum Number of Phases: 6

Miscellaneous Specifications

Electrical Requirements (VAC/Hz): 100–240 VAC, 50/60 Hz, 300 Volts-Amps

Syringe Heat Maintainer: 35 degrees C +/-5 degrees, 95 degrees F +/-9 degrees

Head Mounting Options: Overhead Counterpoise System or Floor Pedestal (Floor Pedestal includes an Integral IV Pole)

DualFlow: Simultaneous Injection of Contrast and Saline is integrated in the Certegra® Workstation (CWS) and included

VirtualCare™ Remote Support*: Remote service on the injector and software to ensure faster uptime

For information on purchasing a MEDRAD®
Stellant FLEX, please contact your local
Bayer sales representative.

PP-M-5TE-F-US-0019-1 November 2018



Model: NM/CT 850 (8 Slice)
Category: Camera, Gamma
Subcategory: SPECT/CT
Manufacturer: GE Healthcare - Imaging Systems
Catalog #:

Atta 3 ID: GAM-C1B36
Atta ID: 6695-023
JSN:
RefID 1:
RefID 2:

Hybrid SPECT/CT imaging system, 8 slice. Features Revolution ACTs CT system, Elite NXT detectors, LEHRS (Low Energy High Resolution and Sensitivity) collimator. SmartConsole with automated transfer directly to the PACS or other pre-defined DICOM destinations, streamline access to SPECT/CT and quantitative SPECT/CT studies. optimize image quality post-exam with retrospective processing features. Modular design, easily upgradeable to NM/CT 860. **System is site configurable, see GE Healthcare for actual list price.

General Production Detail

Arch Sig: Yes	Spatial Sig: Yes
Arch Code: 01-Fixed Equipment	ADA: No
Critical Path: No	Antimicrobial: No
Type: Medical	Green: No
Furnish Install: Owner / Vendor	

Physical Requirements

Width (in.): 75.8700	Left (in.): 28.0000
Depth (in.): 68.5600	Right (in.): 36.0000
Height (in.): 83.0000	Front (in.): 36.0000
Product Weight (lbs): 7363.0000	Back (in.): 36.0000
Max Operating Weight (lbs):	Top (in.): N/A
Mounting: Floor	Bottom (in.): N/A
Specification notes:	

Structural Requirements

Seismic: Yes	OPA #:
	Pre-Approval:
Structural notes:	

Technology Requirements

Patient Data: No	Network:
Connection Type: Data	System:
Technical Connection notes:	

Electrical Requirements

Volts: 480	Watts: 36000.0000
Hz: 60	Amps: 75.0000
KVA:	Circuit: Yes
UPS: N/A	Plug Type: Hardwire
Emerg. Power: No	Plug Detail:
Other Volts Avail.: No	Electrical Phase: 3 Phase
BTU/hr: 24516.0000	
Electrical notes:	

Utility Requirements

Water - Cold: No	Gas Type:
Water - Hot: No	Gas Location:
Water - Treated: No	Medical Gas: No
Drain: No	Vent Type:
Drain Location:	Heat Dissipation: 24516.0000
Steam: No	Dissipation Type: Actual
Vacuum - Den. / Med.: No/No	
Plumbing notes:	
Mechanical notes:	

Locations

Level	Arch Dept	Room	Room #	Status	Item Qty
Level 1	Nuclear Medicine	Nuc Med GE PET/CT	1618	New	1

Total: 1

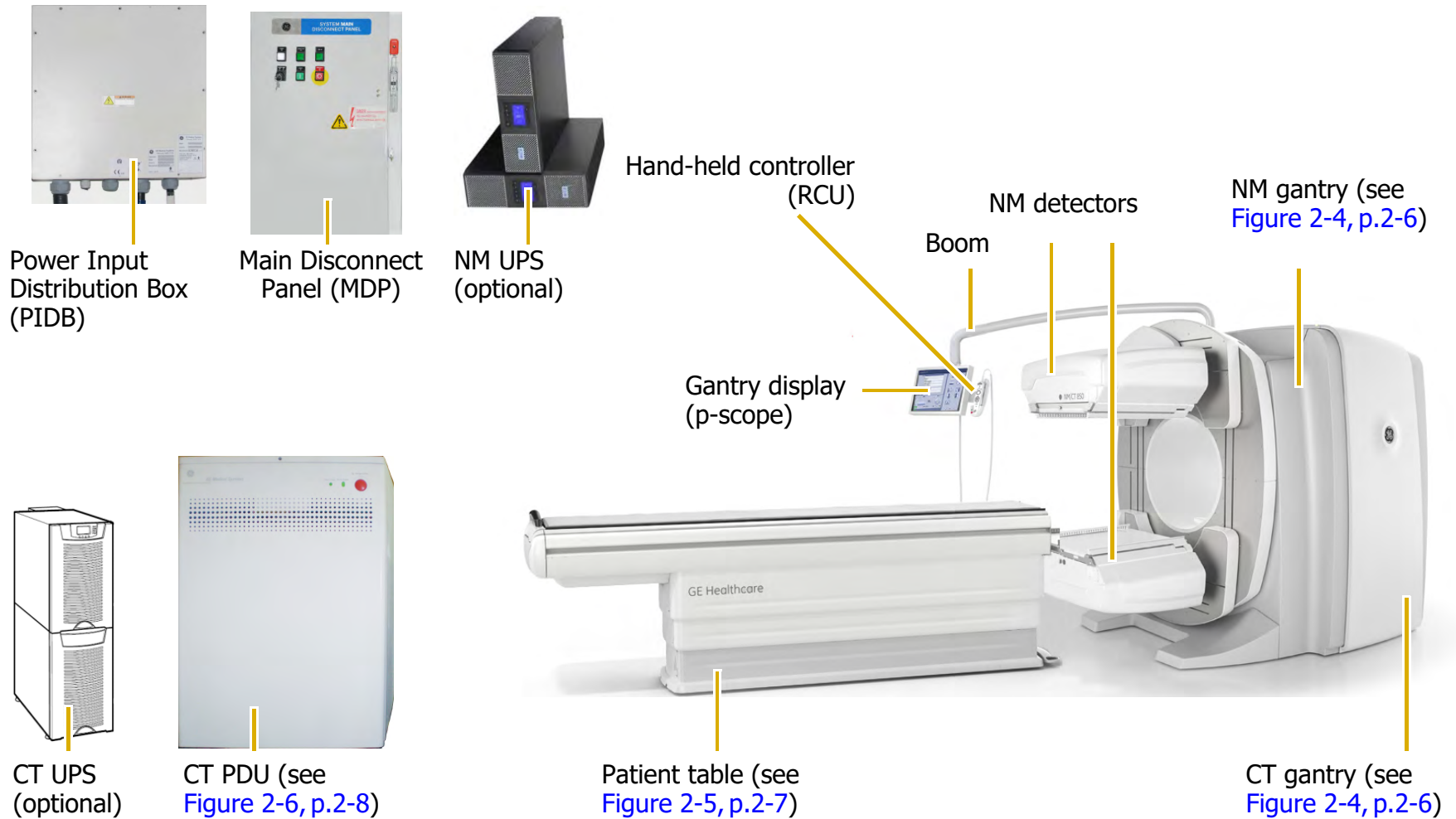
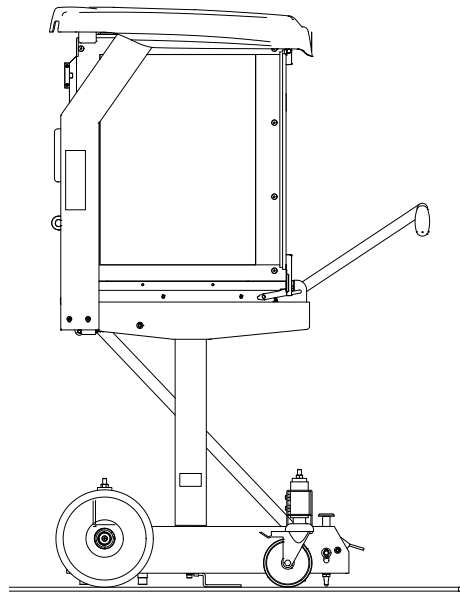


Figure 2-1: Scan Room Fixed Components

NM/CT 850 & NM/CT 860 – Pre-Installation Manual
5789917-1EN, Rev.3, ©2018 GE





Collimator cart/s
(see [Figure 2-7, p.2-9](#))



ECG trigger monitor



Head holder extender
(optional)



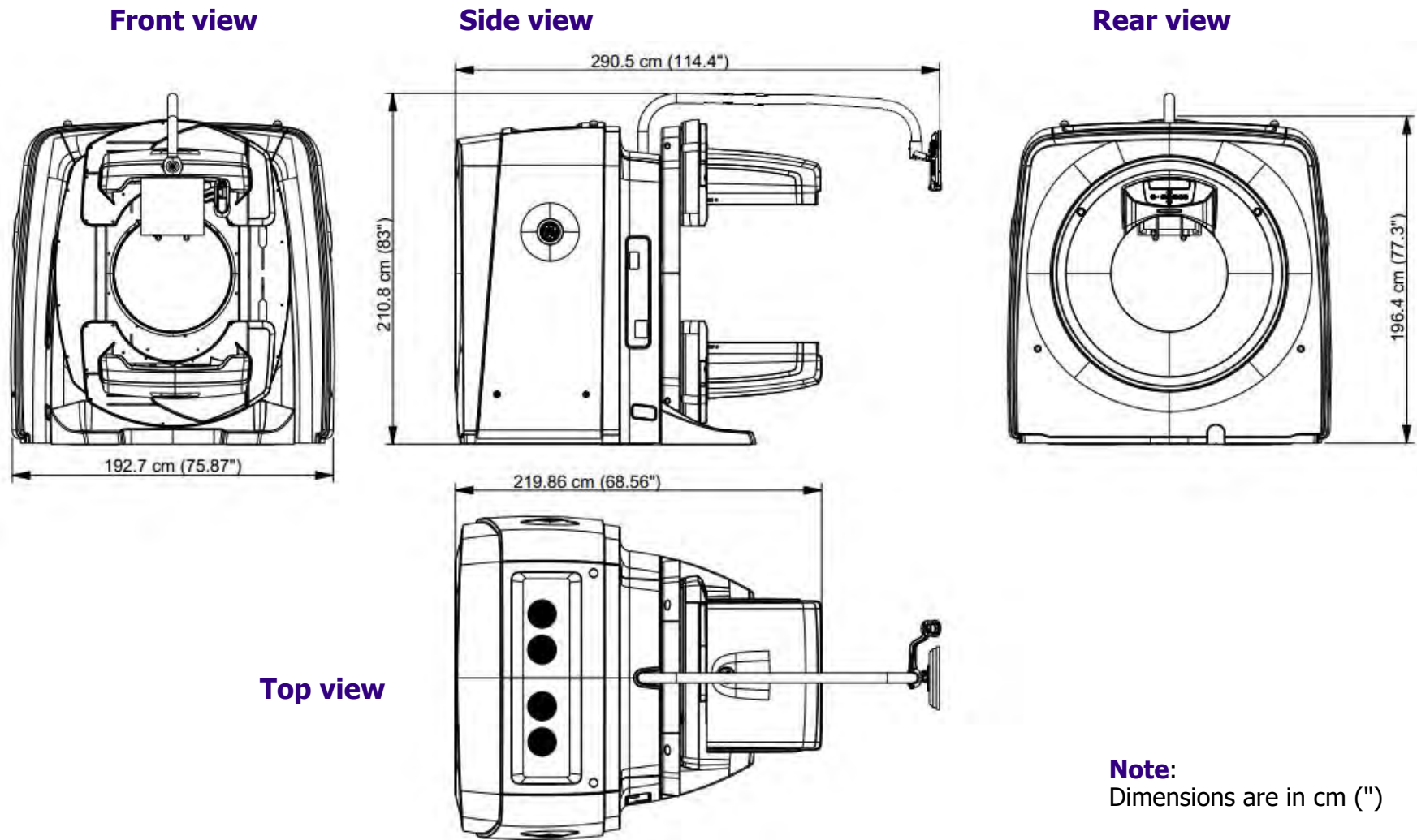
Contrast injector

Figure 2-2: Scan Room Moving Components





Figure 2-3:Operator Room Components



Note:
Dimensions are in cm (")

Figure 2-4: Gantry



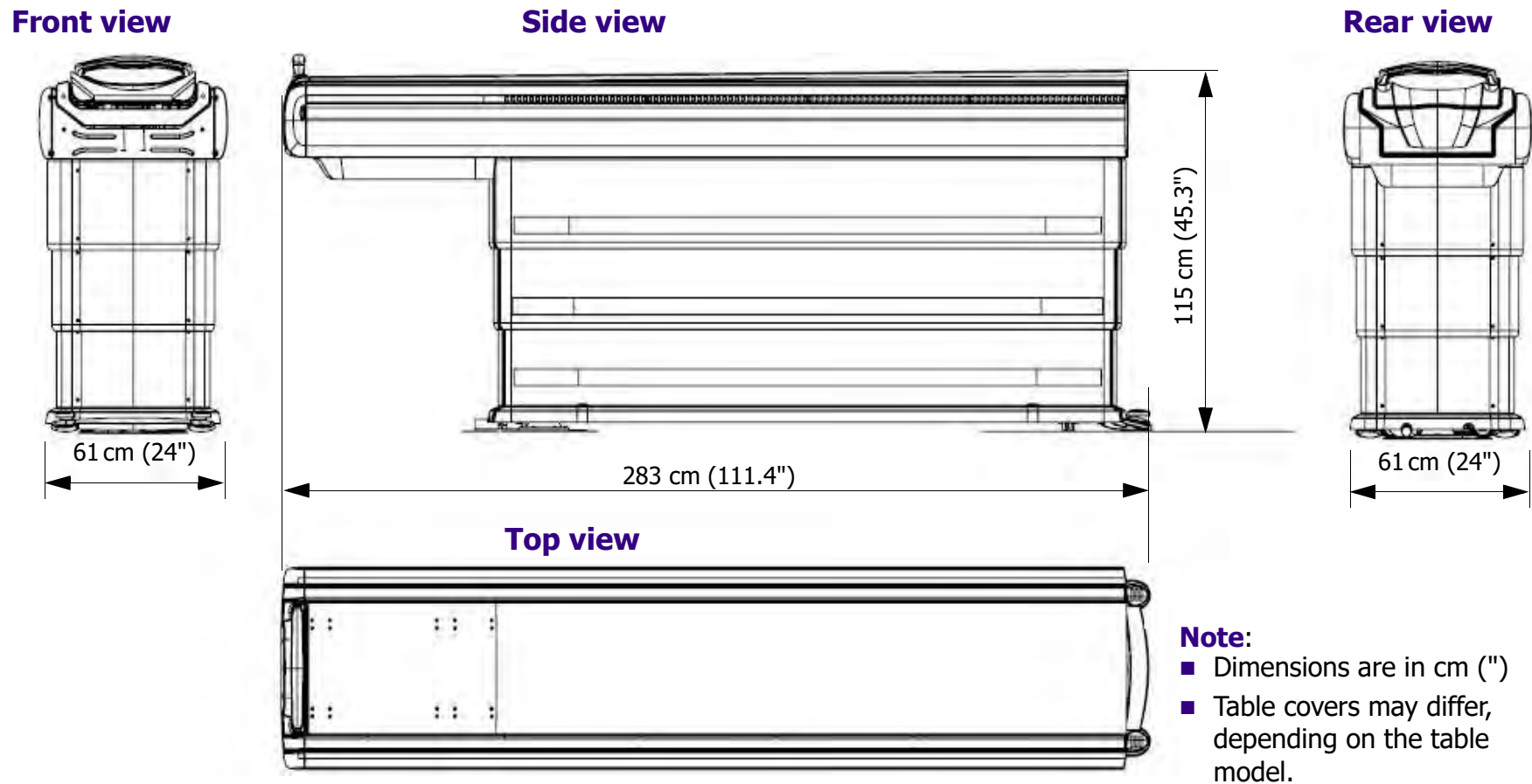


Figure 2-5: Table Views



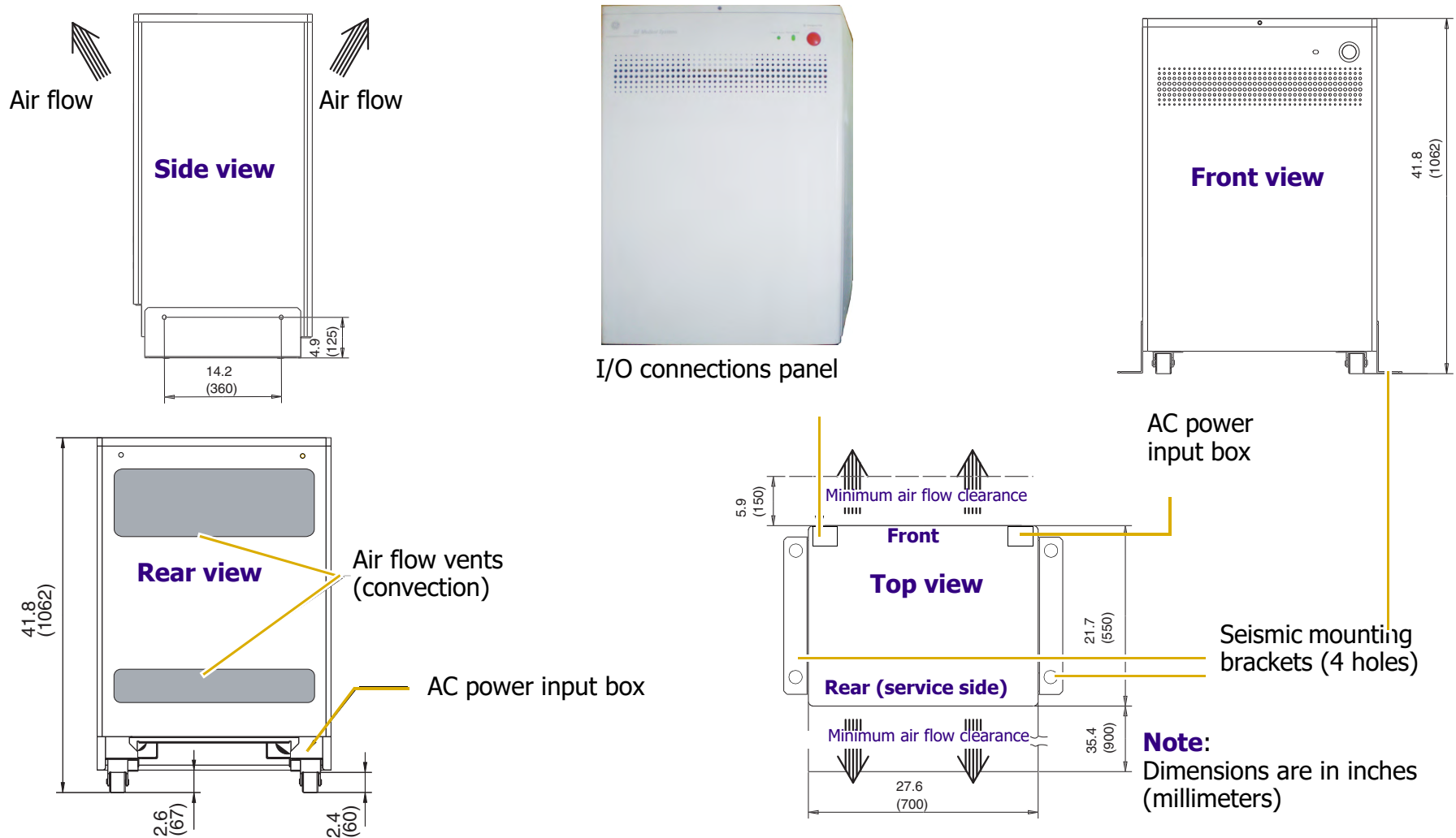
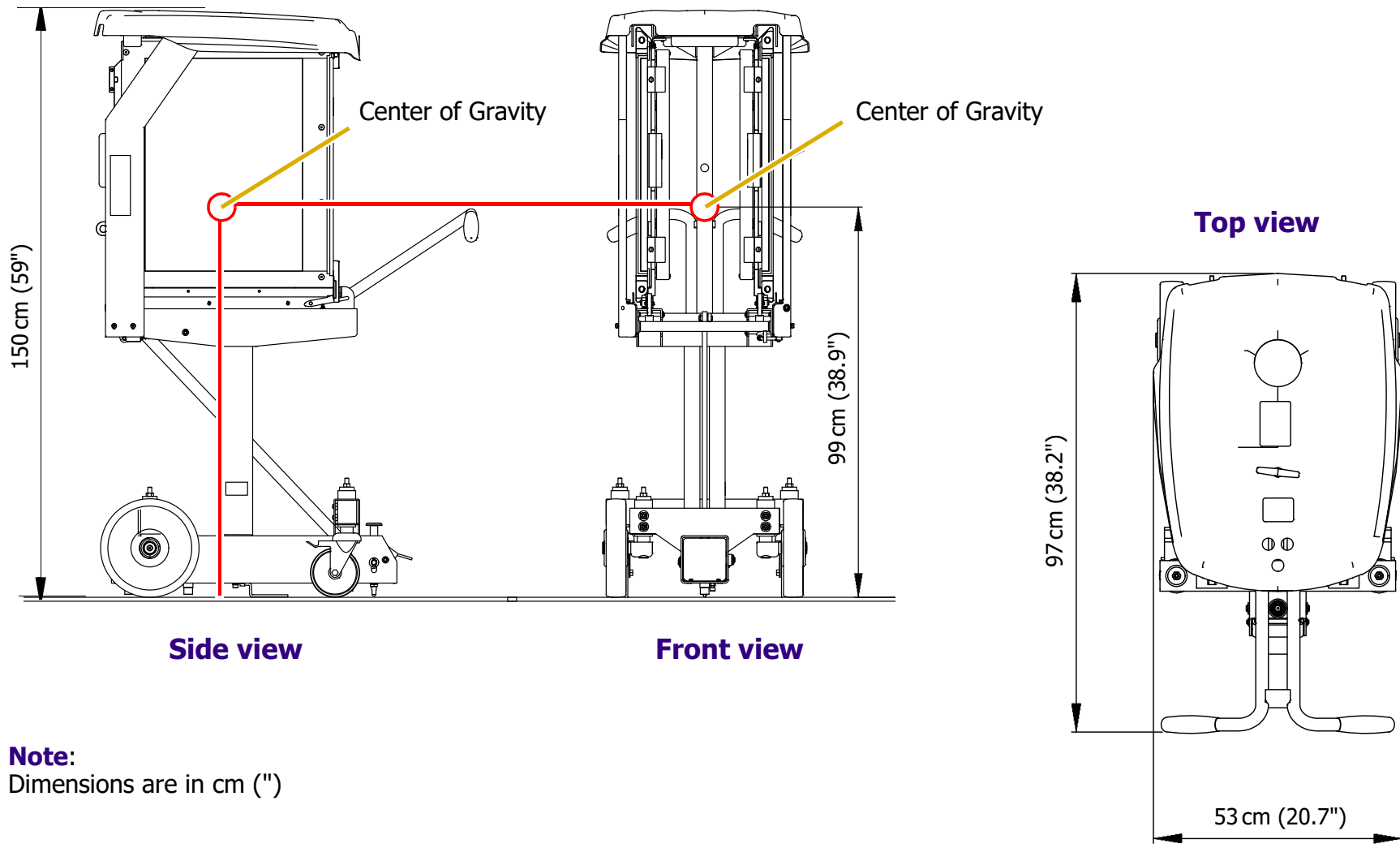


Figure 2-6:CT Power Distribution Unit (PDU)





Note:
Dimensions are in cm (")

Figure 2-7: Collimator Cart



2.2 Room Size, Layout and Considerations

The NM/CT 860 system requires a main Scan Room and a separate adjoining Operator Room. For NM/CT 850, the sub-systems listed in the Operator room can be located in a shielded area in the Scan room.

Table 2-1: Components in Scan and Console Rooms

Scan Room		Operator Room (see Figure 2-3, p.2-5)	Variable location
Fixed Components (see Figure 2-1, p.2-3)	Moving Components (see Figure 2-2, p.2-4)		
NM gantry	Collimator cart/s	NM acquisition station	Storage cabinet (not supplied with the system)
Patient table	ECG trigger monitor	Xeleris workstation (optional)	
CT gantry	Contrast injector	table (, not supplied with the system)	
UPS (optional)		Operator chair	
CT PDU		CT console	
MDP		AW workstation (optional)	
PIDB		SmartConsole workstation(850 ES: optional upgrade)	
EMO (wall mounted)			



In addition, a system footprint is provided below, to facilitate site planning. This illustration does not contain information regarding service clearance areas around the system.

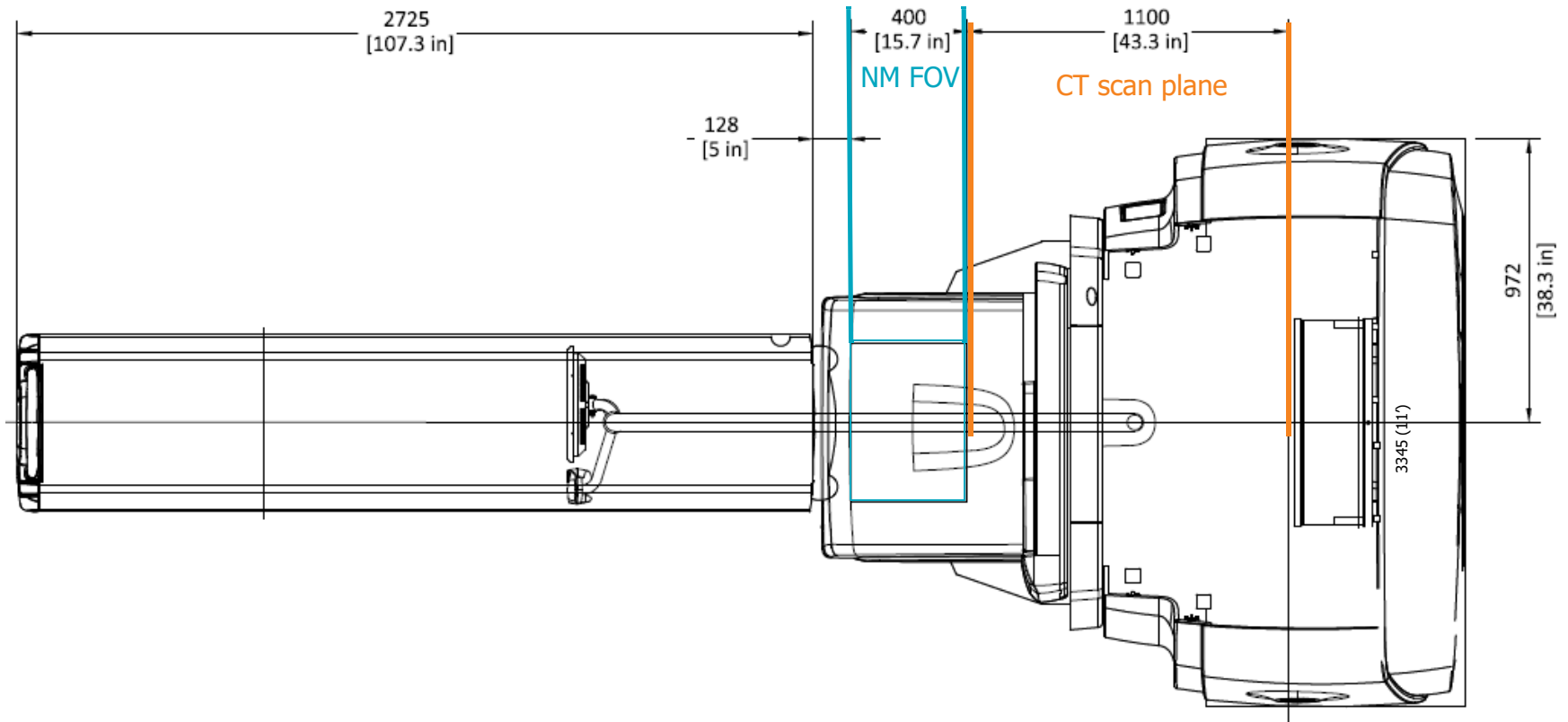
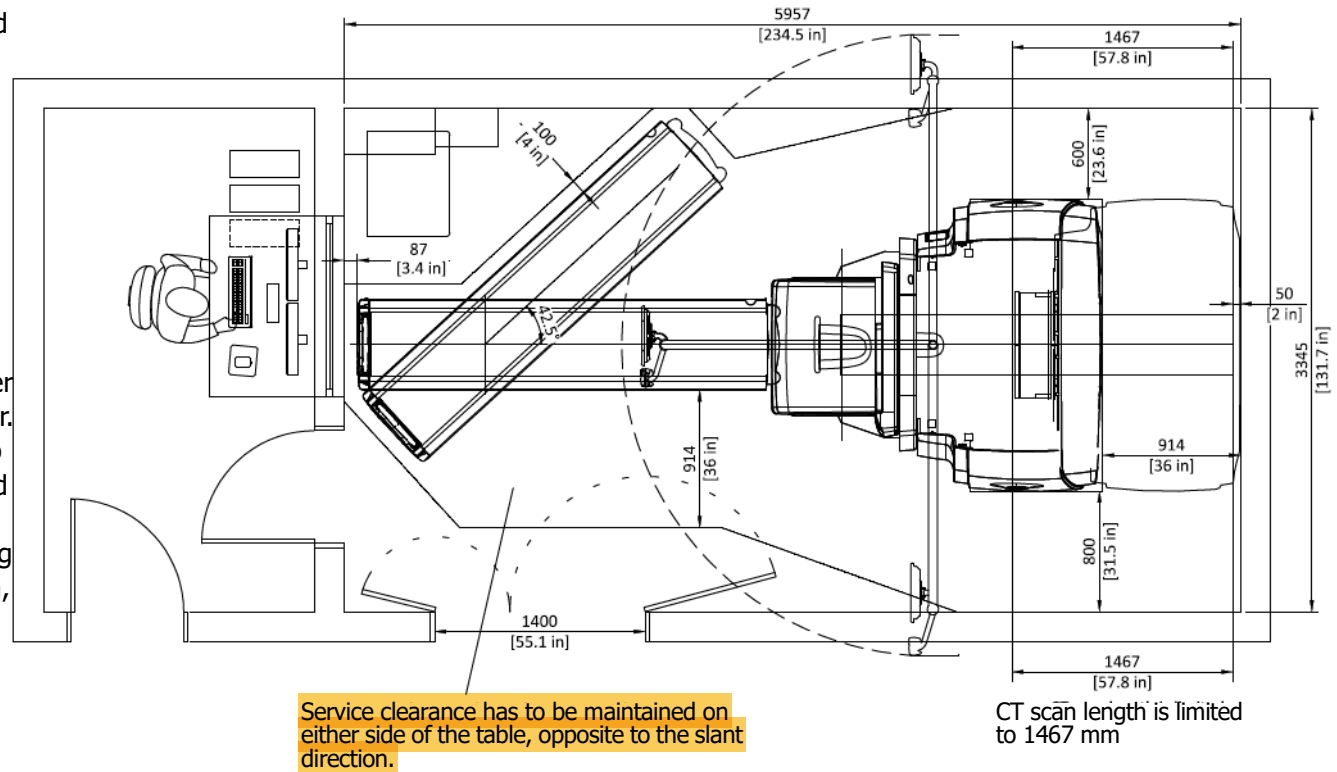


Figure 2-8: System Footprint

NM/CT 850 & NM/CT 860 – Pre-Installation Manual
5789917-1EN, Rev.3, ©2018 GE



- Defines the minimum area required to enable installation, operation and service of the system in safe conditions.
- Does not take into account local requirements.
- Operator movement around the system is limited.
- There is space for only one collimator cart.
- Cannot use table extender
- Radiation shielding regulations differ from one country or state to another. It is the customer's responsibility to ensure that radiation protection and shielding comply with such regulations and requirements during site preparation, system installation, operation and service.



Note:
Dimensions are in mm [feet, inches]

Figure 2-9: Minimal Room Layout



2.3.1.2 Floor Loading Requirements


Table 2-2: Weight of Components

Component	Weight (kg)	Weight (lb)	Load Distribution	Comments
NM gantry (with HEGP collimators mounted on system)	2190	4828	4 pads, Ø83 mm each: +845 kg each on front pads +250 kg each on rear pads	
Patient table (without patient)	557	228	2 wheels + axis anchored to floor	Weight of table without patient
CT gantry	1150	2535	2 rectangular plates, 753×344 mm each 529 kg each	
Storage cabinet, including tools (optional)	< 130	< 287	4 legs	
CT PDU	300	661	4 wheels; anchored to floor	
AW workstation (optional)	30	66	Placed on desk	
Collimator cart			4 wheels	COG point at cm height
CT console computer	(insignificant)			
NM Acquisition station, ECG Trigger Monitor, Operator chair, Contrast Injector	(insignificant)			
Personnel and patient	< 500	< 1102	Variable	Normally 3-4 people in room during scan/service operations
LEHR collimator	62	137		2 per system/cart



Table 2-2: Weight of Components (Continued)

Component	Weight (kg)	Weight (lb)	Load Distribution	Comments
LEGP collimator	55	121		2 per system/cart
ELEGP collimator	62	137		2 per system/cart
MEGP collimator	103	227		2 per system/cart
HEGP collimator	131	288		2 per system/cart
NM UPS (optional)	May vary but no more than 130	May vary but no more than 287	4 feet	
CT UPS (optional)			Anchored to floor	
Xeleris workstation	(insignificant)			
SmartConsole workstation (850 ES: optional upgrade)	(insignificant)			



CAUTION

If the system is installed on a floor type thinner than a mm (") concrete floor, the customer shall, at their expense, provide acceptable anchoring and mounting methods that meet all structural specifications provided in sections [2.3.1.2](#) and [2.3.1.3](#) of this manual.

The customer shall ensure that the floor strength in the collimator cart storage area and along the movement routes for collimator exchange are suitable for the collimator cart load (approx. 250 kg each).



2.4 Seismic Requirements

IMPORTANT

For special seismic kit details and information please see the specific ITF released for the system seismic install.

NOTE

The system does not have a seismic kit at the time of publication of this manual.

Seismic requirements are determined and specified by the hospital design professional of record and must be approved by the specific state or country agency. Seismic attachment hardware shown on seismic calculations may differ from hardware supplied with system. Any additional hardware that is required will be the responsibility of the institution and/or their contractor.



Table 4-2: Heat Output in Scan Room

System Component	BTU/hr	Watt	Comments
Scan Room			
NM gantry	4,500	1,320	
Table	682	200	
CT gantry	11,945	3,500	Maximum heat output reached at tube change (Detailed Calibration)
CT PDU	2,389	700	
CT UPS (optional)	5,000	1,465	
Recommended subtotal	24,516	7,185	
Operator Room			
CT acquisition station	1,024	300	Computer only
NM acquisition station	1,024	300	Computer + 2 monitors
SmartConsole workstation (850 ES: optional upgrade)	1,024	300	Computer only
Xeleris workstation (Optional)	1,024	300	Computer + monitor, can be outside of Operator room
AW workstation (optional)	1,024	300	Computer + monitor, can be outside of Operator room
Recommended subtotal with options	5,120	1,500	Including all optional computers inside the Operator room
System total	29,636	8,685	Cooling requirements do not include cooling for room lighting, personnel or non-CT equipment
NM UPS (optional, in Scan room)	< 1500	< 440	



Chapter 5: Electrical Requirements

5.1 Power Feed

A dedicated feeder run from the facility main isolation transformer is recommended to power the system. If the system must be powered from an existing distribution transformer and secondary feeder, such as the equipment distribution panel of an x-ray department, installation with other x-ray equipment that uses rapid film changers should be avoided. These changers use a large number of high powered, closely spaced exposures, which may coincide with the CT scan and produce image artifacts. If a dedicated distribution transformer is provided for the scanner, the minimum recommended transformer size is 50 kVA, rated 2.4% regulation at unity power factor. For this configuration, the minimum recommended feeder size and overcurrent protection device based on line voltage is shown in [Table 5-2, Minimum Feeder Wire Size, p.5-3](#)

In all cases, qualified personnel must verify that the transformer and feeder, at point of take-off, plus the run to the system meet all the requirements provided in this document.

NOTE

If local regulations require feeding electronic equipment in either the scan room or the operator room via a separate isolation transformer, you can order the Isolation Transformer (P/N E4500BC).

The following tables ([Table 5-1, Nominal Power Line Ranges, p.5-2](#) [Table 5-2, Minimum Feeder Wire Size, p.5-3](#) and [Table 5-3, Power Supply Requirements, p.5-4](#)) are based on the use of copper wire, rated 75 C and run in steel conduit. The current rating (ampacity) is determined in accordance with the National Electrical Code (NFPA 70), Table 310-16 (2002).



NOTE

Ampacity, or Current Rating, is the RMS current which a device can carry within specified temperature limitations in a specified environment, depending upon: a) temperature rating, b) power loss, c) heat dissipation.
 The ampacity for a power cable depends on properties of the conductor and the insulation and on environmental conditions adjacent to the cable.

The minimum feeder size is determined by the current rating (ampacity) of the circuit protection device listed below. In some cases a larger size may be necessary in accordance with local regulations for total source.

A 6AWG1/0 (55 sq. mm) ground wire is recommended in all cases.

Table 5-1: Nominal Power Line Ranges

The nominal line voltage must fall within one of the ranges listed below							
Average power (VA)	6300	6300	6300	6300	6300	6300	6300
Peak power (VA)	40000	40000	40000	40000	40000	40000	40000
Nominal line voltage (Volt)	380	400	415	420	440	460	480
Hi-Line Limit, +10% (Volt)	418	440	457	462	484	506	528
Lo-Line Limit, -10% (Volt)	342	360	374	378	396	414	432
Continuous line current (Amp)	16	16	15	15	14	13	12
Momentary line current (Amp)	60.8	57.8	55	55	52.5	50.2	48.2
Maximum line current	67.6	64.2	61	61.1	58.4	55.8	53.5
Minimum recommended circuit protection rating (Amp)	75	75	70	70	70	60	60
Recommended A1 disconnect panel (A)	90	90	90	90	90	90	90



Table 5-2: Minimum Feeder Wire Size

Feeder Length (MDA to MDP) Feet (Meters)	Minimum feeder wire size, AWG or MCM (Sq. MM)/ VAC					
	380 VAC	400 VAC	415 VAC 420 VAC	440 VAC	460 VAC	480 VAC
50 (15)	4 (22)	4 (22)	4 (22)	4 (22)	4 (22)	4 (22)
100 (30)	4 (22)	4 (22)	4 (22)	4 (22)	4 (22)	4 (22)
150 (46)	3 (30)	4 (22)	4 (22)	4 (22)	4 (22)	4 (22)
200 (61)	3 (30)	3 (30)	3 (30)	3 (30)	4 (22)	4 (22)
250 (76)	1 (45)	2 (35)	2 (35)	3 (30)	3 (30)	3 (30)
300 (91)	1 (45)	1 (45)	1 (45)	2 (35)	2 (35)	3 (30)
350 (107)	1/0 (55)	1/0 (55)	1 (45)	1 (45)	1 (45)	2 (35)
400 (122)	2/0 (70)	1/0 (55)	1/0 (55)	1 (45)	1 (45)	1 (45)
Feeder Length (PIDB to CT PDU) Feet (Meters)	Minimum sub-feeder wire size, AWG or MCM (Sq. MM)/ VAC					
	380 VAC	400 VAC	415 VAC 420 VAC	440 VAC	460 VAC	480 VAC
32 (9.7536)	1/0 (55)	1/0 (55)	1/0 (55)	1 (45)	2 (35)	2 (35)



5.2 Power Supply Requirements

The system must receive its power supply via a dedicated feeder run from the nearest Main Distribution Panel (MDP).

NOTE

According to local regulations, a primary power disconnect device must be provided on the power line supplying the CT PDU, see [Power Input Distribution Box \(PIDB\) with MDP \(A1\), p.5-16](#).

The system is designed to operate on a three-phase plus neutral, five-wire Wye power source (preferably a solidly grounded Wye source).

Table 5-3: Power Supply Requirements

	Characteristics	Comments		
Line voltage specifications	380 to 480 VAC	The difference between the highest line-to-line voltage and lowest line-to-line voltage must not exceed 2% of the lowest line-to-line voltage. The power input is a three phase + neutral + ground.		
Line frequency specifications	50-60 Hz ± 3 Hz			
Measured kVa load characteristics	40	Maximum power demand	40	@ 0.85 PF, at a selected technique of 200mA@120KV X-ray scan
		Average (continuous) power demand	8.8 kVA	at maximum duty cycle
Line impedance	0.4 Ohm			



Table 5-3: Power Supply Requirements (Continued)

	Characteristics	Comments
Fuse or Circuit Breaker Ratings	75 A	
Power requirements for equipment not powered from the system	In scan room and in operator room: 2 one-phase regular power outlets for service tools (such as vacuum cleaner, electric drill, soldering iron etc.)	For service activities
Power stability (transient etc) requirements	Maximum transient voltages should be limited to 1500 V peak	Sags and surges of the power line must not exceed the absolute range limits shown in Table 5-1, Nominal Power Line Ranges, p.5-2.

Total load regulation as measured at the system mains input terminals must not exceed 6%. The capacity of the facility transformer and the size and length of feeder wires directly affect the load regulation presented to the system.

NOTE

- The MDP (A1) must provide overcurrent protection for the system and facilitate multi-point remote “Emergency Off” control of system power. An MDP with a disconnect that uses an under-voltage release control is preferred over shunt trip devices. The rating of the MDP disconnect device depends on the nominal line voltage at the site.
- The system includes a remote Emergency OFF button to cut off all system power (EMO).
- The electrical rating is described on the system rating label attached to the gantry.





Model: NONEMBGDISP
Category: Dispenser
Subcategory: Emesis Bag, Wall Mount
Manufacturer: Medline Industries Inc.
Catalog #: NONEMBGDISP

Atta 3 ID: DSP-AB508
Atta ID: 7805-006
JSN:
RefID 1:
RefID 2:

Wall mounted dispensers for emesis bags. Dispenser holds folded containment bags and facilitates individual dispensing when needed. Holds up to 24 bags. Bags not included. List price reflects per unit. Ships 6/case.

General Production Detail

Arch Sig: Yes	Spatial Sig: No
Arch Code: 01-Fixed Equipment	ADA: No
Critical Path: No	Antimicrobial: No
Type: Medical	Green: No
Furnish Install: Owner / Contractor	

Electrical Requirements

Volts:	Watts: N/A
Hz: N/A	Amps: N/A
KVA:	Circuit: No
UPS: N/A	Plug Type: N/A
Emerg. Power: No	Plug Detail:
Other Volts Avail.: No	Electrical Phase: N/A
BTU/hr: N/A	
Electrical notes:	

Physical Requirements

Width (in.): 6.0000	Left (in.): N/A
Depth (in.): 6.0000	Right (in.): N/A
Height (in.): 6.5000	Front (in.): N/A
Product Weight (lbs): 8.9000	Back (in.): N/A
Max Operating Weight (lbs):	Top (in.): N/A
Mounting: Wall	Bottom (in.): N/A
Specification notes:	

Utility Requirements

Water - Cold: No	Gas Type:
Water - Hot: No	Gas Location:
Water - Treated: No	Medical Gas: No
Drain: No	Vent Type:
Drain Location:	Heat Dissipation: N/A
Steam: No	Dissipation Type: Actual
Vacuum - Den. / Med.: No/No	
Plumbing notes:	
Mechanical notes:	

Structural Requirements

Seismic: No	OPA #:
	Pre-Approval:
Structural notes:	

Technology Requirements

Patient Data: No	Network:
Connection Type: N/A	System:
Technical Connection notes:	

Locations

Level	Arch Dept	Room	Room #	Status	Item Qty
Level 1	Nuclear Medicine	Nuc Med GE PET/CT	1618	New	1

Total: 1



Medline Emesis Bags

Clean Sack Emesis Bag Dispenser, Blue • Handy wall mounted design
• Can hold up to 24 bags

- Compatible with emesis bags NON80327, NON80328, NON80329, EMEBAG, and EMEBAGCL (bags not included)

Packaging	6 Each / Case	Report Incorrect Product Information
Manufacturer	Medline	
Manufacturer #	NONEMBGDISP	

SKU NONEMBGDISP

Specifications

COLOR	Clear
HEIGHT INCHES	6.5 "
LATEX FREE	Yes
LENGTH INCHES	6 "
MATERIAL	ABS
UNSPSC	42141603
UNIT COMPATIBILITY	Medline & Centurion Emesis Bag
WIDTH INCHES	6 "

Documents/SDS

No SDS content is available for this product.

Unit of Measure	Conversion	Net/Gross Weight (lbs)	Volume (cubic ft)	Shipping Dimensions (inch) L x W x H	GTIN
Each (EA)	1.0 Each	0.0 / 2.0	0.171	6.5 x 6.5 x 7.0	10888277410930
Case (CS)	6.0 Each	0.0 / 8.9	1.334	20.25 x 13.8 x 8.25	20888277410937

HCPCS Information

HCPCS Code: NO CODE - PRODUCT DOES NOT MEET HCPCS SPECIFICATIONS

HCPCS Disclaimer: HCPCS codes and Home Health Consolidated Billing codes provided by Medline are intended as general guidelines only. Medline does not guarantee coverage or reimbursement of any products. You must address all coverage and reimbursement issues (including the correctness and accuracy of codes) with your individual payers. It is your responsibility to ensure the accuracy and appropriateness of each claim you submit, in accordance with all applicable payer requirements.

Model: OXYGEN ADAPTER, 90 DEGREE ELBOW, OHMEDA MALE X
 DISS MALE by WT Farley Inc
 Category: Medical Gas System
 Subcategory: Allowance
 Manufacturer: W.T. Farley
 Catalog #: MF-SP150-0

Atta 3 ID: MGS-E6454
 Atta ID: MGS-E6454
 JSN:
 RefID 1:
 RefID 2:

General Production Detail

Arch Sig: No	Spatial Sig: No
Arch Code: 03-Movable Non-Electrical	ADA:
Critical Path: No	Antimicrobial:
Type: Medical	Green:
Furnish Install: Owner / Owner	

Electrical Requirements

Volts: N/A	Watts: N/A
Hz: N/A	Amps: N/A
KVA:	Circuit:
UPS: N/A	Plug Type:
Emerg. Power: No	Plug Detail:
Other Volts Avail.:	Electrical Phase:
BTU/hr: N/A	
Electrical notes:	

Physical Requirements

Width (in.):	Left (in.): N/A
Depth (in.):	Right (in.): N/A
Height (in.):	Front (in.): N/A
Product Weight (lbs):	Back (in.): N/A
Max Operating Weight (lbs):	Top (in.): N/A
Mounting:	Bottom (in.): N/A
Specification notes:	

Utility Requirements

Water - Cold:	Gas Type: N/A
Water - Hot:	Gas Location:
Water - Treated:	Medical Gas:
Drain:	Vent Type:
Drain Location:	Heat Dissipation: N/A
Steam:	Dissipation Type:
Vacuum - Den. / Med.: /	
Plumbing notes:	
Mechanical notes:	

Structural Requirements

Seismic:	OPA #:
	Pre-Approval:
Structural notes:	

Technology Requirements

Patient Data: N/A	Network: N/A
Connection Type: N/A	System: N/A
Technical Connection notes:	

Locations

Level	Arch Dept	Room	Room #	Status	Item Qty
Level 1	Nuclear Medicine	Nuc Med GE PET/CT	1618	New	1

Total: 1



Model: OXYGEN HOSE, 6 FEET, OHMEDA MALE QC X DISS MALE
NO CHECK
Category: Medical Gas System
Subcategory: Medical Gas Hoses
Manufacturer: W.T. Farley
Catalog #: MRI-OH0720308
Atta 3 ID: MGS-E1357
Atta ID: MGS-E1357
JSN:
RefID 1:
RefID 2:

General Production Detail

Arch Sig: No	Spatial Sig: No
Arch Code: 03-Movable Non-Electrical	ADA:
Critical Path: No	Antimicrobial:
Type: Medical	Green:
Furnish Install: Owner / Owner	

Physical Requirements

Width (in.):	Left (in.): N/A
Depth (in.):	Right (in.): N/A
Height (in.):	Front (in.): N/A
Product Weight (lbs):	Back (in.): N/A
Max Operating Weight (lbs):	Top (in.): N/A
Mounting:	Bottom (in.): N/A
Specification notes:	

Structural Requirements

Seismic:	OPA #:
	Pre-Approval:
Structural notes:	

Technology Requirements

Patient Data: N/A	Network: N/A
Connection Type: N/A	System: N/A
Technical Connection notes:	

Electrical Requirements

Volts: N/A	Watts: N/A
Hz: N/A	Amps: N/A
KVA:	Circuit:
UPS: N/A	Plug Type:
Emerg. Power: No	Plug Detail:
Other Volts Avail.:	Electrical Phase:
BTU/hr: N/A	
Electrical notes:	

Utility Requirements

Water - Cold:	Gas Type: N/A
Water - Hot:	Gas Location:
Water - Treated:	Medical Gas:
Drain:	Vent Type:
Drain Location:	Heat Dissipation: N/A
Steam:	Dissipation Type:
Vacuum - Den. / Med.: /	
Plumbing notes:	
Mechanical notes:	

Locations

Level	Arch Dept	Room	Room #	Status	Item Qty
Level 1	Nuclear Medicine	Nuc Med GE PET/CT	1618	New	1

Total: 1



Model: P-1120-L-SS
Category: Hamper
Subcategory: Linen
Manufacturer: Pedigo Products, Inc
Catalog #: P-1120-L-SS

Atta 3 ID: HAM-CFB06
Atta ID: 3836-010
JSN:
RefID 1:
RefID 2:

Triangular stainless steel linen hamper with foot operated stainless steel lid. 32H x 57-1/4 inch perimeter. Now includes corrosion-resistant core casters. Features Quiet-Close hydraulic lid, rolling bumpers, (3) 3 inch double ball bearing swivel core casters. Accommodates 18 inch bags. Made in USA.

General Production Detail

Arch Sig: No	Spatial Sig: No
Arch Code: 03-Movable Non-Electrical	ADA: No
Critical Path: No	Antimicrobial: No
Type: Medical	Green: No
Furnish Install: Owner / Owner	

Physical Requirements

Width (in.): 23.5000	Left (in.): N/A
Depth (in.): 23.5000	Right (in.): N/A
Height (in.): 32.0000	Front (in.): N/A
Product Weight (lbs): 24.0000	Back (in.): N/A
Max Operating Weight (lbs):	Top (in.): N/A
Mounting: Floor - Mobile	Bottom (in.): N/A
Specification notes:	

Structural Requirements

Seismic: No	OPA #:
	Pre-Approval:
Structural notes:	

Technology Requirements

Patient Data: No	Network:
Connection Type: N/A	System:
Technical Connection notes:	

Electrical Requirements

Volts:	Watts: N/A
Hz: N/A	Amps: N/A
KVA:	Circuit: No
UPS: N/A	Plug Type: N/A
Emerg. Power: No	Plug Detail:
Other Volts Avail.: No	Electrical Phase: N/A
BTU/hr: N/A	
Electrical notes:	

Utility Requirements

Water - Cold: No	Gas Type:
Water - Hot: No	Gas Location:
Water - Treated: No	Medical Gas: No
Drain: No	Vent Type:
Drain Location:	Heat Dissipation: N/A
Steam: No	Dissipation Type: Actual
Vacuum - Den. / Med.: No/No	
Plumbing notes:	
Mechanical notes:	

Locations

Level	Arch Dept	Room	Room #	Status	Item Qty
Level 1	Nuclear Medicine	Nuc Med GE PET/CT	1618	New	1

Total: 1

hampers

linen



pedigo equipment now featuring corrosion-resistant casters

co•re caster™



Pedigo's newly designed lidded hampers feature the Quiet-Close™ lid dampener for improved safety and added control of airborne bacteria and odors.

Linen hampers are constructed of heavy gauge steel and feature a triangular shape for efficient use of space. Double ball bearing, 3" corrosion-resistant **co-re casters™** make for easy mobility. Strong, heavy gauge shelf keeps bag from touching floor and simplifies bag removal.



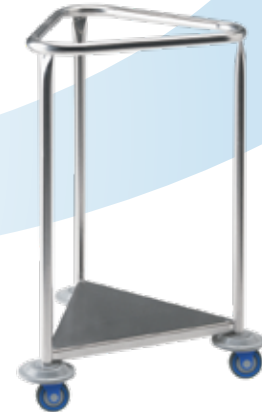
P-120-L and P-121-L



P-1120-L-SS and P-1121-L-SS



P-120 and P-121



P-1120-SS and P-1121-SS

P-120-L

with Quiet-Close™ Lid

- Dimensions**
32"H with a 59½" perimeter
- Powder coated steel
 - Foot operated
 - Accommodates 18" bags

P-1120-L-SS

with Quiet-Close™ Lid

- Dimensions**
32"H with a 59½" perimeter
- Stainless steel
 - Includes rolling bumpers
 - Foot operated
 - Accommodates 18" bags

P-120

open linen hamper

- Dimensions**
32"H with a 59½" perimeter
- Powder coated steel
 - Accommodates 18" bags

P-1120-SS

open linen hamper

- Dimensions**
32"H with a 59½" perimeter
- Stainless steel
 - Rolling bumpers
 - Accommodates 18" bags

P-121-L

with Quiet-Close™ Lid

- Dimensions**
35"H with a 80⅞" perimeter
- Powder coated steel
 - Foot operated
 - Accommodates 25" bags

P-1121-L-SS

with Quiet-Close™ Lid

- Dimensions**
35"H with a 80⅞" perimeter
- Stainless steel
 - Includes rolling bumpers
 - Foot operated
 - Accommodates 25" bags

P-121

open linen hamper

- Dimensions**
35"H with a 80⅞" perimeter
- Powder coated steel
 - Accommodates 25" bags

P-1121-SS

open linen hamper

- Dimensions**
35"H with a 80⅞" perimeter
- Stainless steel
 - Accommodates 25" bags

Quiet-Close™ Lid Dampener

Pedigo's Quiet-Close™ hydraulic lid dampener slows the closure of the lid, reducing the spread of bacteria and protects fingers and hands from being pinched.

- Foot operated
- Quiet operation
- Eliminates slamming
- Tested for 50,000 cycles



25" Bag Hamper Opening

18" Bag Hamper Opening



* approximately the size of a basketball





Model:P-576-4 Four Hook
Category: Stand, IV
Subcategory: Chrome
Manufacturer:Pedigo Products, Inc
Catalog #: P-576-4

Atta 3 ID: IVS-6BDAB
Atta ID: 4361-007
JSN:
RefID 1:
RefID 2:

Chrome plated IV stand. Features 4 hooks, 21 inch diameter 5-caster base with 2 inch swivel casters, hand operated, friction lock height adjustment 68 to 116 inches. Shipped knocked down for UPS shipment. Made in USA.

General Production Detail

Arch Sig: No	Spatial Sig: No
Arch Code: 03-Movable Non-Electrical	ADA: No
Critical Path: No	Antimicrobial: No
Type: Medical	Green: No
Furnish Install: Owner / Owner	

Physical Requirements

Width (in.): 21.0000	Left (in.): N/A
Depth (in.): 21.0000	Right (in.): N/A
Height (in.): 116.0000	Front (in.): N/A
Product Weight (lbs): 22.0000	Back (in.): N/A
Max Operating Weight (lbs):	Top (in.): N/A
Mounting: Floor - Mobile	Bottom (in.): N/A
Specification notes:	

Structural Requirements

Seismic: No	OPA #:
	Pre-Approval:
Structural notes:	

Technology Requirements

Patient Data: No	Network:
Connection Type: N/A	System:
Technical Connection notes:	

Electrical Requirements

Volts:	Watts: N/A
Hz: N/A	Amps: N/A
KVA:	Circuit: No
UPS: N/A	Plug Type: N/A
Emerg. Power: No	Plug Detail:
Other Volts Avail.: No	Electrical Phase: N/A
BTU/hr: N/A	
Electrical notes:	

Utility Requirements

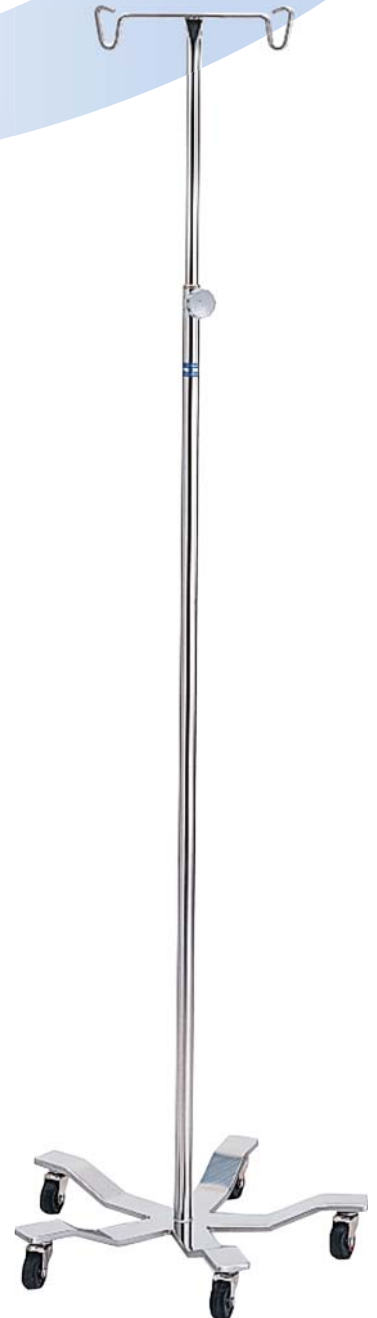
Water - Cold: No	Gas Type:
Water - Hot: No	Gas Location:
Water - Treated: No	Medical Gas: No
Drain: No	Vent Type:
Drain Location:	Heat Dissipation: N/A
Steam: No	Dissipation Type: Actual
Vacuum - Den. / Med.: No/No	
Plumbing notes:	
Mechanical notes:	

Locations

Level	Arch Dept	Room	Room #	Status	Item Qty
Level 1	Nuclear Medicine	Nuc Med GE PET/CT	1618	New	1

Total: 1

iv stands



features

- Heavy, tip-resistant, all welded design
- 2" swivel casters for easy mobility
- Tube: O.D. = 1" I.D. = ¾"
- 21" or 21½" base (footprint) on stands
- 68" to 116" height adjustment
- Easy to clean surfaces

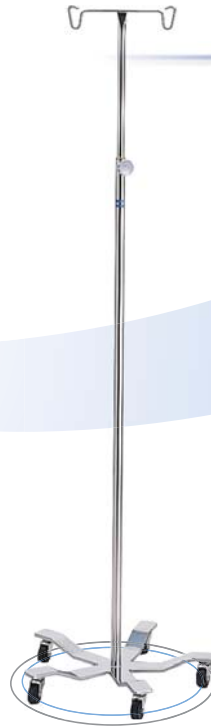
P-1072-2 two hook

P-1072-4 four hook

- Stainless steel
- Hand operated, friction lock height adjustment
- Four leg base
- 70 lbs. overall weight capacity
- 10 lbs. per hook (recommended 30 lbs. max. evenly distributed on top hooks for stability)
- ...see *Safe Load Capacity*



19" Caster Center Line
21½" Footprint



18½" Caster Center Line
21" Footprint

P-1572-2 two hook

P-1572-4 four hook

- Stainless steel
- Hand operated, friction lock height adjustment
- Five leg base
- 70 lbs. overall weight capacity
- 10 lbs. per hook (recommended 30 lbs. max. evenly distributed on top hooks for stability)
- ...see *Safe Load Capacity*

P-576-2 two hook

P-576-4 four hook

- Chrome
- Knock down design for shipping
- Five leg base
- 70 lbs. overall weight capacity
- 10 lbs. per hook (recommended 30 lbs. max. evenly distributed on top hooks for stability)
- ...see *Safe Load Capacity*

P-1076-2 two hook

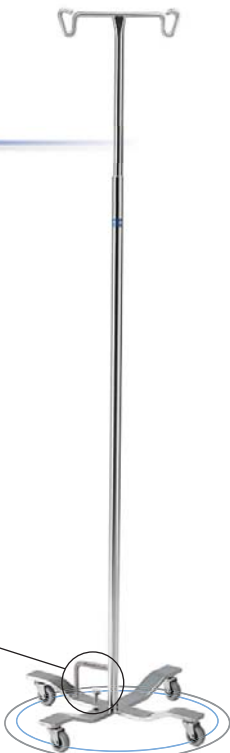
P-1076-4 four hook

P-1076-6 six hook

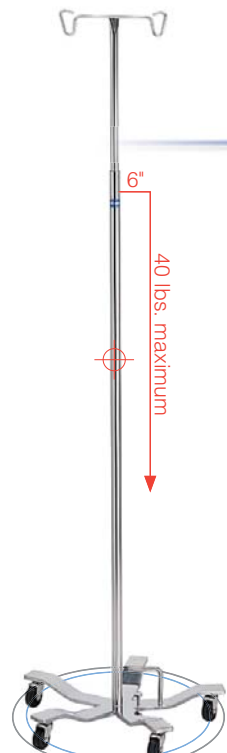
- Stainless steel
- Quick and easy one-hand foot pedal height adjustment
- 70 lbs. overall weight capacity
- 10 lbs. per hook (recommended 30 lbs. max. evenly distributed on top hooks for stability)
- ...see *Safe Load Capacity*



Foot pedal height adjustment



19" Caster Center Line
21½" Footprint



18½" Caster Center Line
21" Footprint

P-1576-2 two hook

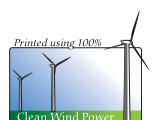
P-1576-4 four hook

P-1576-6 six hook

- Stainless steel
- Quick and easy one-hand foot pedal height adjustment
- 70 lbs. overall weight capacity
- 10 lbs. per hook (recommended 30 lbs. max. evenly distributed on top hooks for stability)
- ...see *Safe Load Capacity*

Safe Load Capacity

For stability, a safe load on a Pedigo I.V. pole should not exceed 40 lbs. to one side and needs to be within 6" of base tube center line.





Model: Reusable Clip Adult SpO2 Sensor (Philips)
Category: Monitor, Physiologic
Subcategory: Blood Pressure, Ambulatory
Manufacturer: Philips Healthcare - Monitoring Systems
Catalog #: M1196A

Atta 3 ID: MON-5AB72
Atta ID: MON-5AB72
JSN:
RefID 1:
RefID 2:

Philips Medical Systems Sensor Spo2 Adult - For use with Philips VS30 Vitals Signs

General Production Detail

Arch Sig: No	Spatial Sig: No
Arch Code: 03-Movable Non-Electrical	ADA:
Critical Path: No	Antimicrobial:
Type: Medical	Green:
Furnish Install: Owner / Owner	

Physical Requirements

Width (in.):	Left (in.): N/A
Depth (in.):	Right (in.): N/A
Height (in.):	Front (in.): N/A
Product Weight (lbs):	Back (in.): N/A
Max Operating Weight (lbs):	Top (in.): N/A
Mounting:	Bottom (in.): N/A
Specification notes:	

Structural Requirements

Seismic:	OPA #:
	Pre-Approval:
Structural notes:	

Technology Requirements

Patient Data: N/A	Network: N/A
Connection Type: N/A	System: N/A
Technical Connection notes:	

Electrical Requirements

Volts: N/A	Watts: N/A
Hz: N/A	Amps: N/A
KVA:	Circuit:
UPS: N/A	Plug Type:
Emerg. Power: No	Plug Detail:
Other Volts Avail.:	Electrical Phase:
BTU/hr: N/A	
Electrical notes:	

Utility Requirements

Water - Cold:	Gas Type: N/A
Water - Hot:	Gas Location:
Water - Treated:	Medical Gas:
Drain:	Vent Type:
Drain Location:	Heat Dissipation: N/A
Steam:	Dissipation Type:
Vacuum - Den. / Med.: /	
Plumbing notes:	
Mechanical notes:	

Locations

Level	Arch Dept	Room	Room #	Status	Item Qty
Level 1	Nuclear Medicine	Nuc Med GE PET/CT	1618	New	1

Total: 1



Model:SRA-CIUT-DH Scout Analog (DISS Handtight)
Category: Regulator
Subcategory: Suction, Intermittent/Continuous
Manufacturer:Amico Corporation
Catalog #: SRA-CIUT-DH

Atta 3 ID: REG-4FB72
Atta ID: 4248-295
JSN:
RefID 1:
RefID 2:

Continuous/Intermittent suction regulator. Analog, DISS Handtight connection and Tubing Nipple patient connection. Impact resistant and durable casing made of ABS polymer. Unit has a disposable see-through back body, and infection control features. Casings available in multiple colors. Adjustable timing. Can be upgraded to Digital. Vacuum Range of 0 - 300 mmHg. 10 and 12 year warranties.

General Production Detail

Arch Sig: No	Spatial Sig: No
Arch Code: 03-Movable Non-Electrical	ADA: No
Critical Path: No	Antimicrobial: No
Type: Medical	Green: No
Furnish Install: Owner / Owner	

Physical Requirements

Width (in.): 2.9300	Left (in.): N/A
Depth (in.): 4.0400	Right (in.): N/A
Height (in.): 5.9400	Front (in.): N/A
Product Weight (lbs): 1.0000	Back (in.): N/A
Max Operating Weight (lbs):	Top (in.): N/A
Mounting: Special	Bottom (in.): N/A
Specification notes:	

Structural Requirements

Seismic: No	OPA #:
	Pre-Approval:
Structural notes:	

Technology Requirements

Patient Data: No	Network:
Connection Type: N/A	System:
Technical Connection notes:	

Electrical Requirements

Volts:	Watts: N/A
Hz: N/A	Amps: N/A
KVA:	Circuit: No
UPS: N/A	Plug Type: N/A
Emerg. Power: No	Plug Detail:
Other Volts Avail.: No	Electrical Phase: N/A
BTU/hr: N/A	
Electrical notes:	

Utility Requirements

Water - Cold: No	Gas Type:
Water - Hot: No	Gas Location:
Water - Treated: No	Medical Gas: No
Drain: No	Vent Type:
Drain Location:	Heat Dissipation: N/A
Steam: No	Dissipation Type: Actual
Vacuum - Den. / Med.: No/Yes	
Plumbing notes:	
Mechanical notes:	

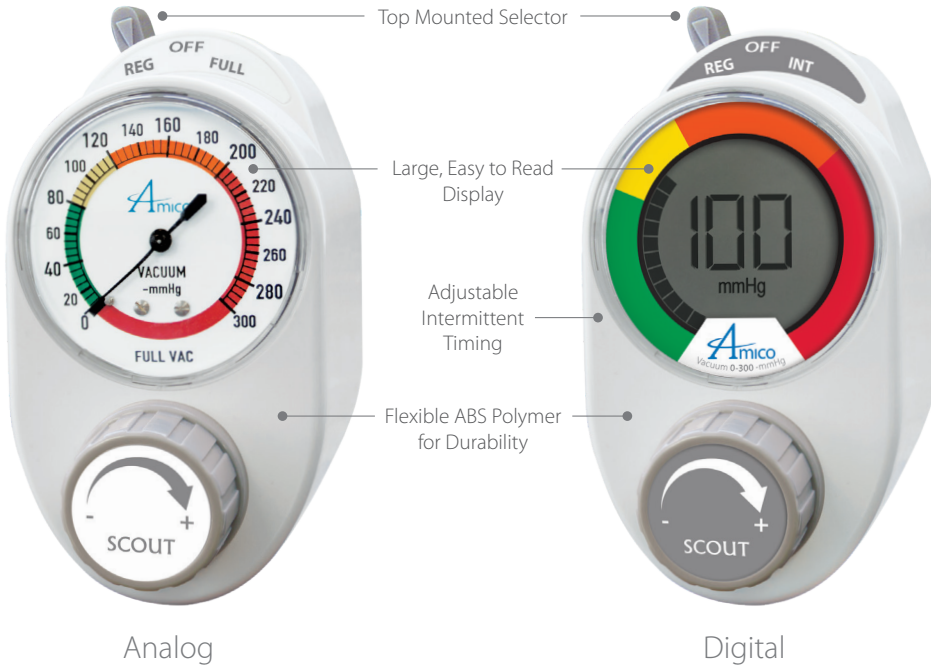
Locations

Level	Arch Dept	Room	Room #	Status	Item Qty
Level 1	Nuclear Medicine	Nuc Med GE PET/CT	1618	New	1

Total: 1

Vacuum Regulator

12 YEAR warranty



Features:

- Smallest and lightest unit on the market: 10 oz (290 g)
- ABS polymer casing – impact resistant and durable
- User-adjustable Timing can be accessed from the back of the unit
- Easy to read, color-coded gauges
- 10 Year warranty (Analog)
- 12 Year warranty (Digital)
- Only unit on the market with a disposable, see-through back body
- Designed with Infection Control features
- Ability to reverse flush
- Disposable component for easy cleaning

Color Coding Options



➔ Ease of Inventory Management

- By Department:
 - ED
 - Pediatrics
 - ICU

➔ Ease of Model Identification

- By Model:
 - Surgical/Continuous High
 - Pediatrics
 - Continuous/Intermittent
 - Neonatal

Identify Contamination Instantly

Did You Know?

PATENT PENDING

NEW Clear Back Plate



New Infection Control Measure

Remove from the outlet and identify contamination immediately

In a study conducted in July 2010, entitled **Suction Regulators: A Potential Vector for Hospital-Acquired Pathogens**, the following results were determined:

- **37% of regulators** found in a hospital are **contaminated**
- These contaminants include “growth of well-established nosocomial pathogens” **known to cause Hospital Acquired Infections (HAI)**
- Contaminants **spread from a regulator to the wall-side canister and back to a simulated patient stomach within 24 hours**
- There is no mandatory check or preventative maintenance schedule outlined to determine if contamination is present

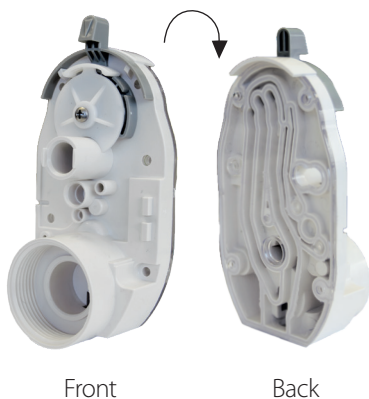
Amico's replaceable back body allows users to **safely dispose of the contaminated portion** of the regulator and **replace it with new**, sterile components for a fraction of the cost.

Suction Regulators: A Potential Vector for Hospital Acquired Pathogens by Keith S. Kaye, MD, MPH; Dror Marchaim, MD; Chester Smialowicz, MD; Lauren Bentley, MSBME

With **Amico's Clear Back Plate** and disposable body, you can spot contamination and have a new regulator in 3 simple steps:

Contaminated?

Disposable Body



Step 1:



Step 2:



Step 3: Reassemble with only 1 NEW Component



Continuous Models - White Labels

Continuous 3 Mode



SRA-C3U2-F2

Continuous 2 Mode



SRA-C2U2-F2

Pediatric 2 Mode



SRA-P2U2-F2

Neonatal 2 Mode



SRA-N2U2-F2

Continuous High/Surgical



SRA-CHU2-F2

Amico's continuous regulators provide unique features to ensure correct suctioning procedures and help improve clinical practice.

- Adult models regulate to 300 mmHg and at full suction provide maximum pressure from wall outlets.
- Continuous High/Surgical models regulate to 750 mmHg and are uniquely designed for surgical procedures. They provide high flow rates for an OR environment.
- Pediatric and Neonatal continuous models regulate to 160 mmHg and 100 mmHg with positive pressure relief valves for safety.
- All units can be upgraded to Intermittent suctioning as well as Digital displays.

Continuous/Intermittent Models - Grey Labels

Adult Continuous/Intermittent



SRA-CIU2-F2

Pediatric Continuous/Intermittent



SRA-PIU2-F2

Neonatal Continuous/Intermittent



SRA-NIU2-F2

Amico's continuous/intermittent models are ideal for any critical care environment but can also be used in all patient areas since they are considered combination units. Our unique intermittent module provides a reliable and quiet means of cycling the suction levels on and off during intermittent mode.

- Adult models regulate to 300 mmHg, Pediatric models to 160 mmHg and Neonatal models to 100 mmHg.
- Pediatric and Neonatal models have positive pressure relief valves for safety.
- ON/OFF Timing cycles operate independently and can be adjusted on the back plate of the unit without removing any casing.
- All units can be upgraded to Digital displays.

Vacuum Regulator with Roll Stand



Features:

- Overall height 30" (76.2 cm)
- (5) 2" (5.08 cm) swivel casters
- Stainless steel body
- Top handle for easy mobility
- Side hook for excess tubing or hoses
- 2 mounting locations for suction canister placement
- Regulator mount (VAC DISS Male) – available for single or dual regulators

part#: S-RS-30-DISS-S*

*Canisters, holders, tubing and suction regulator sold separately

Accessories:



Vacuum/Safety Traps



Disposable Canister and Holder



Autoclavable Canisters and Holders

Easy to Upgrade:

Analog to Digital



Technical Specifications

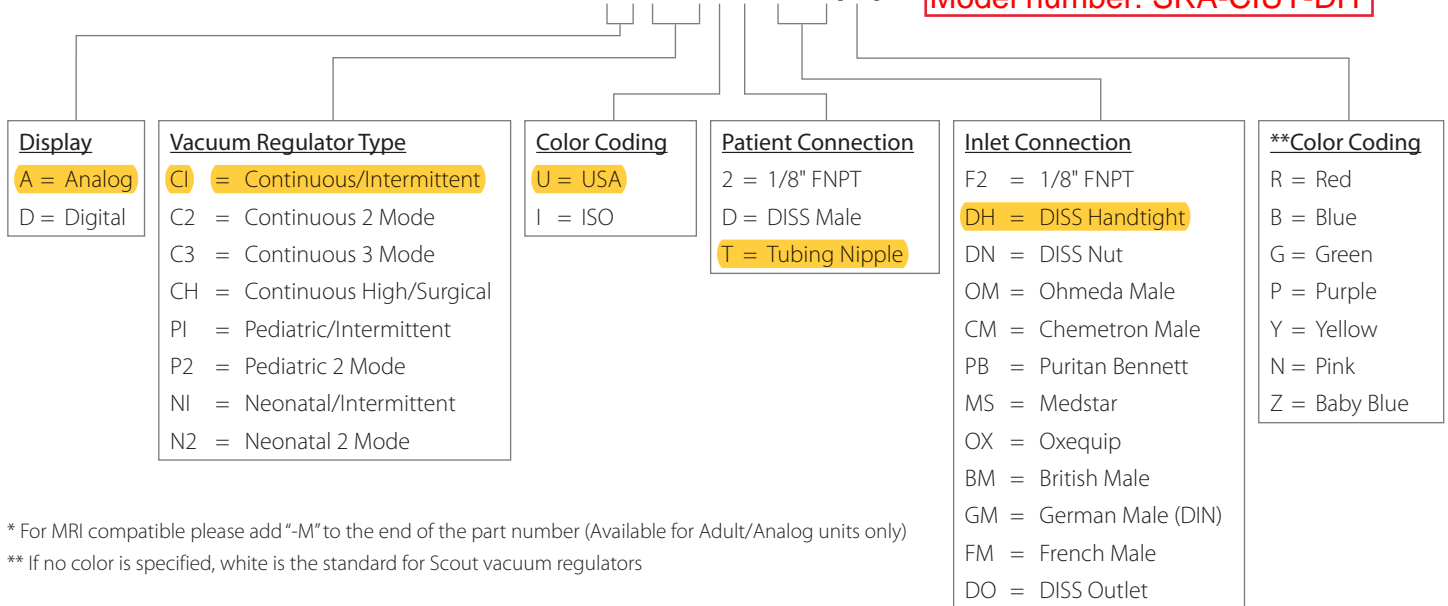


Performance			
Flowrate	Intermittent:	Adult: 8 LPM	Pediatric: 8 LPM Neonatal: 8 LPM
	Continuous:	Adult: 65 LPM	Pediatric: 40 LPM Neonatal: 40 LPM
Timing	<ul style="list-style-type: none"> • 16 seconds on/8 seconds off • Timing can be adjusted on the back of the unit with access to ON and OFF needle valves • Starts in the OFF position 		
		Gauge Accuracy	
	Vacuum Range	Analog	Digital
Neonatal	0-100 mmHg (13 kPa)	± 3% Full-scale	± 1% Full-scale
Pediatric	0-160 mmHg (20 kPa)	± 3% Full-scale	± 1% Full-scale
Adult	0-300 mmHg (40 kPa)	± 3% Full-scale	± 1% Full-scale
Surgical	0-750 mmHg (94 kPa)	± 3% Full-scale	± 1% Full-scale
Physical			
Dimensions	5.94" H x 2.93" W x 4.04" D (15.09 cm x 7.44 cm x 10.26 cm)		
Weight	Continuous: 10 oz (290 g), Intermittent: 13 oz (360 g)		
Battery			
Lithium	Two 2/3 AA batteries, 3.6 V, 1.6 Ah, lithium		

Model Number

SRX-XXXX-XX(X)*

Model number: SRA-CIUT-DH



* For MRI compatible please add "-M" to the end of the part number (Available for Adult/Analog units only)

** If no color is specified, white is the standard for Scout vacuum regulators





Model: Sani-Bracket Extra Large Single Canister (1 Pack)
Category: Dispenser
Subcategory: Disinfectant Wipes, Wall Mount
Manufacturer: Professional Disposables International-PDI
Catalog #: Q51500

Atta 3 ID: DSP-DA5AE
Atta ID: 7493-013
JSN:
RefID 1:
RefID 2:

Wall mount disinfectant wipes dispenser. Features: For Sani-Cloth and Sani-Hands canisters. 1 Pack. Labeled not for use on skin. List price reflects per unit.

General Production Detail

Arch Sig: Yes	Spatial Sig: No
Arch Code: 01-Fixed Equipment	ADA: No
Critical Path: No	Antimicrobial: No
Type: Non-Medical	Green: No
Furnish Install: Owner / Contractor	

Electrical Requirements

Volts:	Watts: N/A
Hz: N/A	Amps: N/A
KVA:	Circuit: No
UPS: N/A	Plug Type: N/A
Emerg. Power: No	Plug Detail:
Other Volts Avail.: No	Electrical Phase: N/A
BTU/hr: N/A	
Electrical notes:	

Physical Requirements

Width (in.): 5.3540	Left (in.): N/A
Depth (in.): 5.5120	Right (in.): N/A
Height (in.): 5.5120	Front (in.): N/A
Product Weight (lbs): 0.8800	Back (in.): N/A
Max Operating Weight (lbs):	Top (in.): N/A
Mounting: Wall	Bottom (in.): N/A
Specification notes:	

Utility Requirements

Water - Cold: No	Gas Type:
Water - Hot: No	Gas Location:
Water - Treated: No	Medical Gas: No
Drain: No	Vent Type:
Drain Location:	Heat Dissipation: N/A
Steam: No	Dissipation Type: Actual
Vacuum - Den. / Med.: No/No	
Plumbing notes:	
Mechanical notes:	

Structural Requirements

Seismic: No	OPA #:
	Pre-Approval:
Structural notes:	

Technology Requirements

Patient Data: No	Network:
Connection Type: N/A	System:
Technical Connection notes:	

Locations

Level	Arch Dept	Room	Room #	Status	Item Qty
Level 1	Nuclear Medicine	Nuc Med GE PET/CT	1618	New	1

Total: 1



Nail Polish Remover Pads

Individually wrapped, acetone-free nail polish remover pads for use in a professional or hospital setting.

Individual Packet	B71200	1.2" x 2.6"	10/100s	5.00 lbs	0.33 ft	17/8
-------------------	--------	-------------	---------	----------	---------	------



See Clear® Lens Cleaning Wipes

Individually wrapped wipe for cleaning protective eyewear, glasses, and loupes.

Individual Packet	D25431	6" x 5"	12/120s	9.59 lbs	0.89 ft	10/5
-------------------	--------	---------	---------	----------	---------	------

FOOD SAFETY



Sani Professional® Cleaning Multi-Surface Wipes

Ideal for use on hard surfaces, such as dining tables and countertops.

Solo® Softpack (75 count)	A972FW	9" x 7"	20/75s	14.42 lbs	0.986 ft	10/3
Solo® Softpack (90 count)	A580FW	7" x 11.5"	12/90s	24.00 lbs	0.87 ft ft	10/3

POINT-OF-CARE ACCESSORIES



Sani-Bracket®

Attach **Sani-Cloth** and **Sani-Hands** canisters to walls or equipment for convenient access; The Medium Bracket, labeled “**Easy Screen**” wipes, will include an optional **Sani-Hands** label. Large/ X-Large Bracket, labeled with “NOT for USE on Skin”.

PDI Large / Extra Large Canister Sani-Bracket (10 pack)	Q51510	n/a	10	9.90 lbs	1.54 ft	7/4
PDI Large / Extra Large Canister Sani-Bracket (1 pack)	Q51500	n/a	1	0.88 lbs	0.11 ft	56/8
PDI Medium Canister Sani-Bracket (10 pack)	P58510	n/a	10	9.13 lbs	1.03 ft	4/10
PDI Medium Canister Sani-Bracket (1 pack)	P58500	n/a	1	0.77 lbs	0.08 ft	60/10
PDI Large / Extra Large Double Canister Sani-Bracket (10 pack)	Q52510	n/a	10	19.69 lbs	3.04 ft	4/10
PDI Large / Extra Large Double Canister Sani-Bracket (1 pack)	Q52500	n/a	1	1.65 lbs	0.22 ft	60/10



Sani-Canister Caddy®

Countertop placeholder for canisters. Displays important product and compliance information.

Sani-Canister Caddy Sani-Hands wipes (10 pack)	P013500	n/a	10	1.50 lbs	0.25 ft	28/6
Sani-Canister Caddy Sani-Hands wipes (5 pack)	P013501	n/a	5	0.80 lbs	0.11 ft	30/10
Sani-Canister Caddy Super Sani-Cloth wipes (10 pack)	P012600	n/a	10	1.50 lbs	0.25 ft	28/6
Sani-Canister Caddy Super Sani-Cloth wipes (5 pack)	P012601	n/a	5	0.80 lbs	0.11 ft	30/10
Sani-Canister Caddy Sani-Cloth AF3 wipes (10 pack)	P015200	n/a	10	1.50 lbs	0.25 ft	28/6
Sani-Canister Caddy Sani-Cloth AF3 wipes (5 pack)	P015201	n/a	5	0.80 lbs	0.11 ft	30/10
Sani-Canister Caddy Sani-Cloth Bleach wipes (10 pack)	P013100	n/a	10	1.50 lbs	0.25 ft	28/6
Sani-Canister Caddy Sani-Cloth Bleach wipes (5 pack)	P013101	n/a	5	0.80 lbs	0.11 ft	30/10
Sani-Canister Caddy Easy Screen wipes	P016101	n/a	5	0.80 lbs	0.11 ft	30/10