



# HEXAVUE INSTALLATION GUIDELINES

## PARK CITY HOSPITAL

### PARK CITY, UTAH

GENERAL NOTES	
1.	SEE INFRASTRUCTURE RESPONSIBILITIES PAGE (1A) FOR ADDITIONAL DETAILS & DESCRIPTIONS FOR SPECIFIC STAKEHOLDER RESPONSIBILITIES
2.	SUPPLY AND INSTALLATION OF ALL CONDUIT, POWER CIRCUITS, BACK BOXES, ELECTRICAL DEVICES, ELECTRICAL WIRING IS TO BE PROVIDED BY THE CLIENTS ELECTRICAL CONTRACTOR UNLESS NOTED OTHERWISE
3.	ONE WIRE HANGER FOR CABLE COILS REQUIRED FOR EACH MOUNT
4.	CLIENT CONTRACTOR TO PROVIDE BLANK COVER PLATES FOR ALL JUNCTIONS BOXES WHERE NECESSARY
5.	ALL CABLE RUNS OUTSIDE INTEGRATED ROOMS ARE THE RESPONSIBILITY OF HOSPITAL/CONTRACTOR; ALL CABLE RUNS SHOULD BE CONTINUOUS EXCEPT WHERE NOTED
6.	24x24" ACCESS MUST BE PROVIDED WITHIN 36" OF ALL JUNCTION BOXES
7.	CABLE RUNS THRU PLENUM SPACE MUST BE PLENUM RATED OR SHALL BE INSTALLED WITH CONDUIT
8.	CABLES NOT RUN IN CONDUIT MUST HAVE J-HOOKS EVERY 4' FOR SUPPORT (NOT BY STERIS)
9.	WHERE J-HOOKS ARE USED IN CEILING, CONDUIT IS REQUIRED IN ALL CONCEALED LOCATIONS (SIZED PER SCHEDULES)
10.	EACH RACK REQUIRES (4) NETWORK PORTS PER O.R.
11.	ALL POWER FOR INTEGRATION EQUIPMENT SHOULD COME FROM A SINGLE ELECTRICAL PANEL IN THE OR IT SERVES
12.	CONFORMANCE TO NATIONAL, STATE AND LOCAL CODES FOR ELECTRICAL CIRCUITS AND CONDUIT IS THE RESPONSIBILITY OF THE HOSPITAL OR THEIR CONTRACTED ELECTRICIAN
13.	THE EQUIPMENT AND ROUGH-IN REQUIREMENTS SHOWN ARE FOR BUDGETARY PLANNING PURPOSES ONLY; EQUIPMENT IS SUBJECT TO CHANGE AND DIFFERENT OPTIONS ARE AVAILABLE TO MEET SPECIFIC CUSTOMER DESIGN CRITERIA; POST-ORDER DRAWINGS WILL REFLECT EXACT EQUIPMENT SPECIFICATIONS, AND REQUIRES CUSTOMER SIGNED APPROVAL
14.	USE OF ISOLATED GROUND POWER TO BE DETERMINED BY ELECTRICAL CONTRACTOR

ABBREVIATIONS	
A.F.F.	= ABOVE FINISHED FLOOR
B.C.P.	= BLANK COVER PLATE
C.	= CONDUIT
C.P.	= COVER PLATE
C.K.T.	= CIRCUIT
E.C.	= ELECTRICAL CONTRACTOR
N.S.E.	= NURSE STATION EQUIPMENT

INDEX		
PAGE #	SHEET TITLE	ROOM #
01	TITLE PAGE, INDEX	-
01A	INFRASTRUCTURE RESPONSIBILITIES TERMS & CONDITIONS	-
01B	DISTANCE PACKAGE FIBER SPECS & REQUIREMENTS	-
02	PROPOSED OPERATING ROOM 1 LAYOUT	2344
02A	PROPOSED OPERATING ROOM 2 LAYOUT	2343
02B	PROPOSED OPERATING ROOM 4 LAYOUT	2338
02C	PROPOSED OPERATING ROOM 5 LAYOUT	2335
02D	PROPOSED OPERATING ROOM 6 LAYOUT	2333
03	PROPOSED OPERATING ROOMS 1, 2, 4, & 5 CONDUIT RISER DIAGRAM	2344,2343,2338
03A	PROPOSED OPERATING ROOM 6 CONDUIT RISER DIAGRAM	2333
04	PROPOSED EQUIPMENT INSTALLATION DETAILS	-

ALL STERIS TERMS AND CONDITIONS RELATIVE TO STERIS AND CUSTOMER, DESIGNATED CONTRACTOR RESPONSIBILITIES, SITE READINESS, AND CHANGE ORDERS APPLY. THESE WILL BE PROVIDED TO ALL PARTIES ABOVE AT THE PROJECT KICKOFF MEETING BY YOUR STERIS REPRESENTATIVE

<p>Healthcare Design Group 5960 Heisley Road Mentor, OH 44060 USA 800-548-4873</p>	REVISION SUMMARY				HEXAVUE INTEGRATION SYSTEM TITLE PAGE, INDEX	PARK CITY HOSPITAL  PARK CITY, UTAH	8858D6R1-INT				
	REVISION #	DESCRIPTION	DESIGNER/DATE	CHECKER			DR	JTP	CK	DATE	28AUG2023
	1	REMOVED N2; ADDED D2; ADDED INTEGRATION TO ROOMS 4, 5, & 6	JTP/21NOV2023				SCALE		NTS	PAGE	01

STERIS drawings do not supersede the drawings from the architect of record.

STERIS drawings do not supersede the drawings from the architect of record.

STERIS drawings do not supersede the drawings from the architect of record.

STERIS Responsibilities:

- Provide cable conduit drawings, electrical requirements, and mounting requirements for the room.
- Provide space, structural, and heat load requirements for the base unit.
- Provide site preparation specifications.
- Deliver all custom back boxes, mounting brackets, and construction-related items to the hospital in accordance with the mutually agreed upon construction or renovation schedule.
- Participate in project meetings in person, via conference call or via e-mail.
- Ship equipment in protective and labeled packaging.
- Ship cables and equipment on the scheduled ship date
- Pull and terminate non-plenum cabling inside the OR through specified conduits and junction boxes as specified in the Product Description and Final Project Plan.
- Provide external cables and detailed specifications for the interconnections only if external cabling is specified in the Customer Proposal and Final Project Plan.
- Provide a pre-installation checklist to verify site preparation is complete.
- Mount, install, and connect integration equipment - including video, audio, and control cables, cable terminations, wall cameras, wall monitors (does not include wall mounting brackets), base unit, touch screen control, and surgical monitors - as applicable to project.
- Test and validate integration system to complete customer satisfaction.
- Provide the hospital with a certificate of completion signed by the install team and the hospital.
- Adjust STERIS surgical light brakes as necessary after installation of STERIS monitors.
- In-service hospital staff at the time of the install. Further in-service training may be scheduled as mutually agreed.
- Leave a tidy work area each evening and remove packing material to a customer provided on-site container.

Cabling and Fiber Responsibilities:

- All cables and fiber optic runs to locations outside the OR are the responsibility of the hospital.

Minimum Site Readiness

Successful and efficient installation of a complete integration system requires that the site be carefully prepared according to the project documentation and schematics. A site that is not ready when the installation team arrives will cause delays and additional expenses to both parties. If the installation site is not ready per the mutually agreed specifications, STERIS reserves the right to charge a change order fee and extend the timeline needed to finish project past the planned date given at the project's inception.

To be ready a site should have -

1. All floor work must be complete
2. All painting must be complete
3. All electrical requirements must be installed and powered
4. Room must be clean and free from dust

Customer or Customer's Designated Contractor Responsibilities:

- Ensure that site preparations and construction are complete and ready for final integration installation - including electrical and network connections, finished floor and paint.
- Provide complete room schematics including electrical, mechanical, and equipment location details.
- Install cable conduit, junction boxes, electrical outlets, and mounting brackets according to project specifications.
- Ensure that all electrical requirements comply with local code.
- Ensure space, structural, and heat load requirements are met according to project specs and plan.
- Receive shipment and safely, securely store equipment if shipment arrives prior to requested installation date.
- Provide adequate access from delivery/storage area to installation site.
- Relocate equipment from on-site storage/delivery area to installation site.
- Run all cables outside the OR- Including conduit, J-hooks, penetrations through firewall, video cables, radio antennae cables, or fiber optics to networking hubs and video conferencing hubs, communications closets, conference rooms, centralized nurse desks, rooftop, or other departments.
- Ensure that site preparations and construction are complete and ready for final integration installation - including electrical and network connections, finished floor and paint.
- Proactively schedule the installation in conjunction with the STERIS project manager.
- Provide a minimum of two (2) weeks advance notice for requested changes to the installation schedule.
- Remove old equipment or furniture from the room.
- Provide a clean, dry, dust free environment for equipment storage and installation.
- Provide a secure work site for storing ladders, toolboxes etc. during install.
- Provide easy access to all rooms involved in the installation during normal business hours and upon request after hours.
- Ensure that all non-STERIS or third-party equipment and systems that are to be part of the integrated solution are on-site and functional at the time of installation - otherwise full testing and connections cannot be completed.
- Participate in a final walk-through evaluation of the system followed by a sign-off of the certificate of completion.
- Provide an on-site container for trash, including shipping and packing material. Empty container as needed and on a regular basis.

Customer or Customer's Designated Contractor Rack Clearance & Ventilation Guidelines:

- Reference site specific rack layout document provided by STERIS for total rack BTU estimation information.
- Customer or Customer's Designated Contractor responsible for ensuring proper ventilation of STERIS Integration Equipment.
- Contact your STERIS representative for any questions regarding STERIS Integration Equipment ventilation and/or BTU ratings.
- Ambient temperature surrounding rack or rack components should not exceed 75 degrees Fahrenheit.
- Rack or power supply components stored within casework must have ventilation to allow proper air-flow.

STERIS drawings do not supersede the drawings from the architect of record.

 <p>5960 Heisley Road Mentor, OH 44060 USA 800-548-4873</p>	<p>HEXAVUE INTEGRATION SYSTEM INFRASTRUCTURE RESPONSIBILITIES TERMS &amp; CONDITIONS</p>		<p>PARK CITY HOSPITAL  PARK CITY, UTAH</p>		<p>8858D6R1-INT</p>				
					DR	JTP	CK	DATE	28AUG2023
					SCALE		NTS	PAGE	01A

## FIBER OPTIC TRUNK CABLING REQUIREMENTS

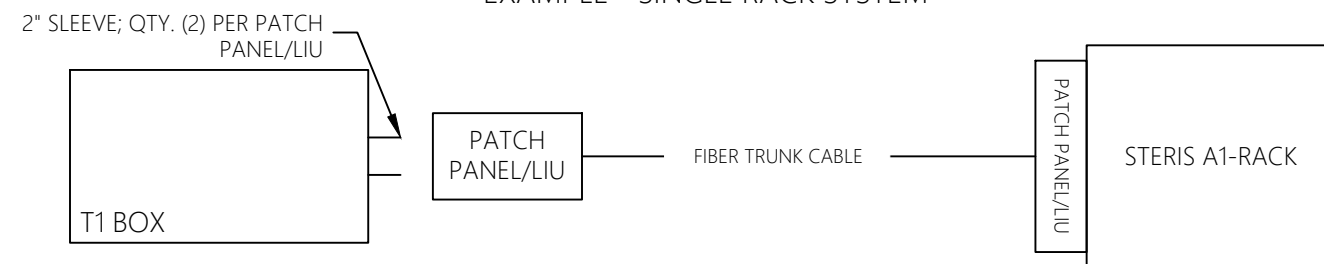
FOR ALL INSTALLATIONS, OM4 MULTIMODE FIBER TRUNK CABLES SHALL BE INSTALLED BY THE CUSTOMER FROM THE RACK LOCATION TO THE STERIS T1 BOX IN THE INTEGRATED OPERATING ROOM. PLEASE REFER TO THE STERIS PLANNING DOCUMENTS FOR T1 LOCATION

- FOR GENERAL ORS, PATHOLOGY LABS, OR HYBRID ROOMS, TRUNK CABLES WITH (24) TO (48) FIBER OPTIC CABLING STRANDS ARE COMMONLY USED. QUESTIONS REGARDING WHAT QTY IS REQUIRED FOR A SPECIFIC ROOM CAN BE DIRECTED TO YOUR STERIS ORI SPECIALIST OR STERIS INTEGRATION PROJECT MANAGER.
- ALL FIBER OPTIC CABLING, INCLUDING TRUNK CABLE, MUST MEET THE FOLLOW TECHNICAL SPECIFICATIONS:

CORNING CLEARCURVE OM4 FIBER (OFNP PLENUM RATED OPTICAL CHARACTERISTICS):

CORE SIZE 50um  
 WAVELENGTH (850/1300) nm  
 MAX. ATTENUATION (3.5/1.5) dB/km  
 BANDWIDTH (EMB) 4700 MHz  
 LINK LENGTH (10Gb/s) 550 mtr  
 MULTI-MODE  
 MAX LOSS OF 1.7db AT 100M & 1.8db AT 150M

EXAMPLE - SINGLE RACK SYSTEM



## FIBER PATCH PANEL/LIU REQUIREMENTS

FOR ALL INSTALLATIONS, OM4 MULTIMODE FIBER TRUNK CABLES SHALL BE INSTALLED BY THE CUSTOMER FROM THE RACK LOCATION TO THE STERIS T1 BOX IN THE INTEGRATED OPERATING ROOM. CUSTOMER WILL ALSO SUPPLY AND INSTALL FIBER OPTIC PATCH PANELS OR LIUs THAT MEET THE FOLLOWING REQUIREMENTS OR THE SPECIFIC PATCH PANEL/LIU LISTED BELOW.

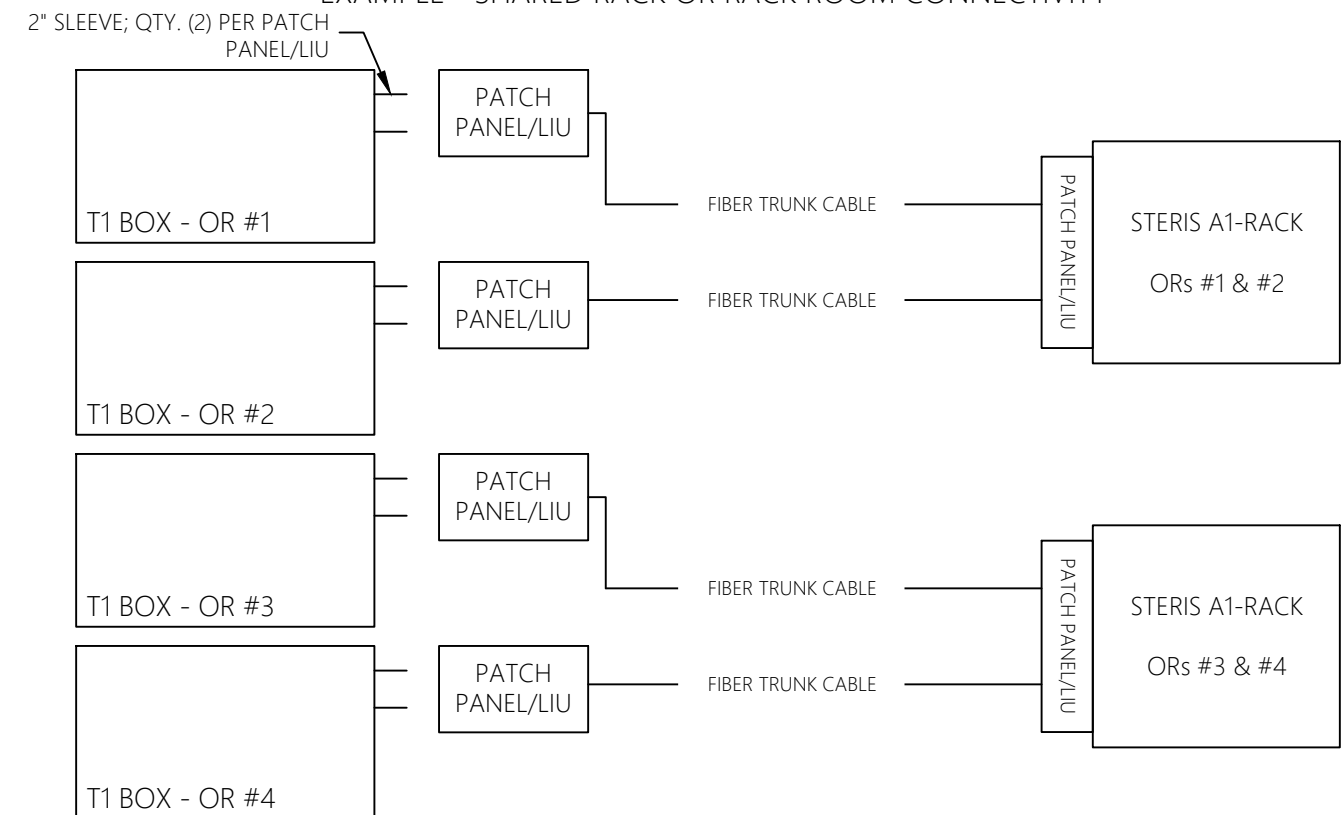
### T1 SIDE - FIBER TRUNK CABLE

- ON THE T1 SIDE OF THE FIBER TRUNK CABLE, THE PATCH PANEL/LIU MUST BE LOCATED OUTSIDE THE T1 BOX BUT NO FURTHER THAN TWO FEET (2') AWAY. CUSTOMER TO INSTALL (2) 2" SLEEVES FROM T1 BOX FACING TOWARD PATCH PANEL/LIU. MUST BE ACCESSIBLE FROM BELOW CEILING.
- CUSTOMER MUST TERMINATE FIBER TRUNK CABLE USING SC FIBER CONNECTORS.

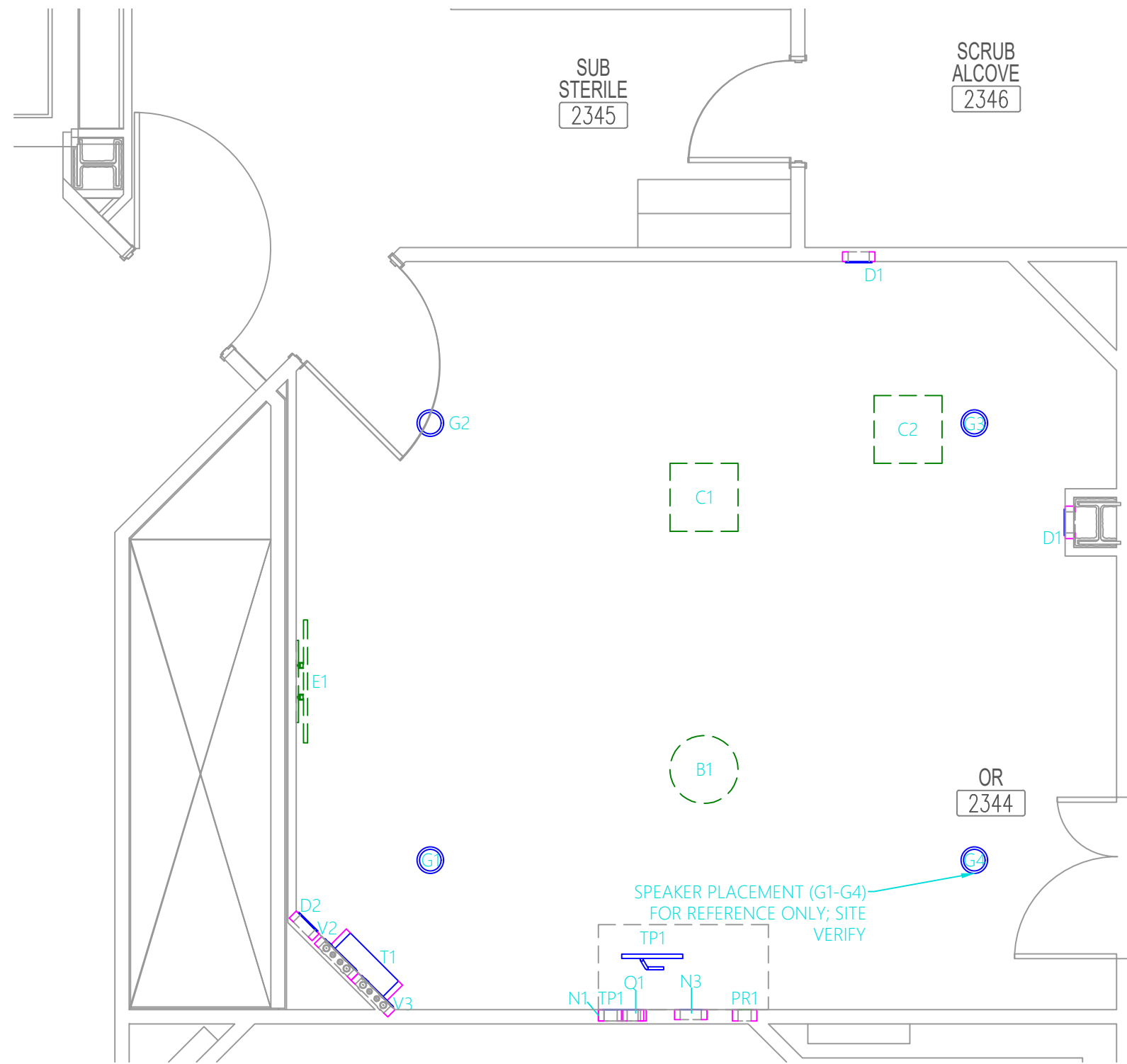
### RACK OR RACK ROOM SIDE - FIBER TRUNK CABLE

- ON THE RACK SIDE OF THE FIBER TRUNK CABLE, IF THE PATCH PANEL/LIU CANNOT BE ENGINEERED TO FIT WITHIN THE RACK, IT MUST RESIDE WITHIN 15 FEET OF THE RACK THAT SERVES THE T1 BOX. THIS MAY INCLUDE MOUNTING THE PATCH PANEL/LIU ON THE CABLE TRAY AND LOCATED DIRECTLY ABOVE THE RACK THAT SERVES THE T1 BOX.
- CUSTOMER SHOULD TERMINATE THE OM4 MULTIMODE FIBER CABLES AT A FIBER PATCH PANEL/LIU WITH SC FIBER CONNECTORS FOR ALL TERMINATIONS.
- THE CUSTOMER SHALL SUPPLY ALL NECESSARY PATCH CABLES FROM THE PATCH PANEL/LIU TO THE STERIS EQUIPMENT USING AN SC FIBER CONNECTOR FOR CONNECTION TO THE STERIS EQUIPMENT

EXAMPLE - SHARED RACK OR RACK ROOM CONNECTIVITY



STERIS drawings do not supersede the drawings from the architect of record.

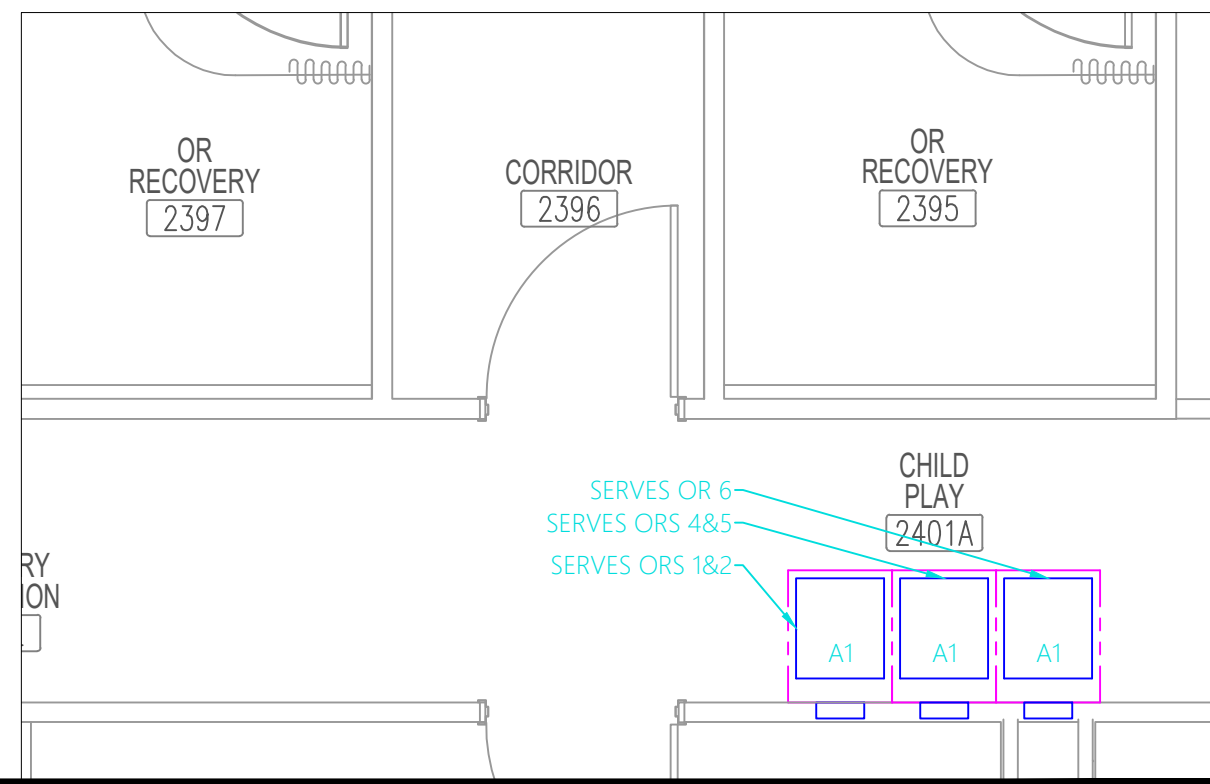


INTEGRATION EQUIPMENT SCHEDULE		
LEGEND	DESCRIPTION	RESPONSIBILITY
A1	INTEGRATION RACK WALL MOUNTED 12x12x4" JUNCTION BOX REQUIRED FOR INTEGRATION RACK	STERIS ELECTRICAL CONTRACTOR
B1***	EXISTING SURGICAL LIGHT MOUNT	STERIS
C1***	EXISTING TANDEM EQUIPMENT BOOM	STERIS
C2***	EXISTING ANESTHESIA BOOM	STERIS
D1	WALL MOUNTED HUBBELL - RACO 698 4 GANG JUNCTION BOX FOR DAVINCI INPUT/OUTPUT CONNECTIONS	ELECTRICAL CONTRACTOR
D2	WALL MOUNTED HUBBELL - RACO 698 4 GANG JUNCTION BOX FOR HD GUEST INPUT	ELECTRICAL CONTRACTOR
E1	EXISTING WALL MOUNTED DISPLAY WALL MOUNTED 4 11/16" JUNCTION BOX WITH SINGLE GANG MUD RING REQUIRED FOR EXISTING WALL MOUNTED DISPLAY	STERIS ELECTRICAL CONTRACTOR
G1	CEILING MOUNTED SPEAKER	STERIS
G2	CEILING MOUNTED SPEAKER	STERIS
G3	CEILING MOUNTED SPEAKER	STERIS
G4	CEILING MOUNTED SPEAKER	STERIS
N1	WALL MOUNTED 12x12x4" JUNCTION BOX	ELECTRICAL CONTRACTOR
N3	WALL MOUNTED HUBBELL - RACO 698 4 GANG JUNCTION BOX FOR PACS PC INPUT	ELECTRICAL CONTRACTOR
PR1	WALL MOUNTED 4 11/16" JUNCTION BOX WITH SINGLE GANG MUD RING USED FOR EXISTING PRINTER SONY (UP-DR80MD) DIMS: 12.5" X 8.12" X 16.75" APPROX. 25.3LBS	ELECTRICAL CONTRACTOR STERIS
Q1	WALL MOUNTED 4 11/16" JUNCTION BOX WITH SINGLE GANG MUD RING USED FOR AUDIO	ELECTRICAL CONTRACTOR
T1	24" H x 24" W X 8" D JUNCTION BOX ABOVE CEILING	ELECTRICAL CONTRACTOR
TP1	TOUCH PANEL WALL MOUNTED 4 11/16" JUNCTION BOX WITH SINGLE GANG MUD RING REQUIRED FOR TOUCH PANEL	STERIS ELECTRICAL CONTRACTOR
V2	WALL MOUNTED LEVITON BOX FOR STERIS POWER DISTRIBUTION	ELECTRICAL CONTRACTOR
V3	WALL MOUNTED LEVITON BOX FOR STERIS POWER DISTRIBUTION	ELECTRICAL CONTRACTOR

- SHEET NOTES**
- (1) QUAD POWER RECEPTACLE REQUIRED AT EACH TOUCH PANEL LOCATION; (2) QUAD POWER RECEPTACLES ARE RECOMMENDED
  - HUBBELL - RACO 698 4 GANG JUNCTION BOXES USED FOR FIBER SOLUTIONS
  - HUBBELL - RACO 698 4 GANG JUNCTION BOXES REQUIRE CONDUIT TO ENTER ON THE RIGHT HALF OF THE BOX
  - HUBBELL - RACO 698 4 GANG JUNCTION BOXES REQUIRE 2" MINIMUM SERVICE CLEARANCE AROUND ALL SIDES OF THE BOX
  - (4) NETWORK PORTS AND (2) 20 AMP QUAD POWER RECEPTACLE AT RACK LOCATION
  - EMERGENCY POWER REQUIRED FOR EQUIPMENT RACK, TOUCH PANELS AND LEVITON BOX
  - THE CUSTOMER/CONTRACTOR IS RESPONSIBLE FOR CUTTING A 4" "MOUSE HOLE" CUTOUT IN THE BOTTOM CENTER OF THE 12x12 METAL COVER PLATE OF THE A1 JUNCTION BOX
  - A 24" X 24" HINGED ACCESS PANEL IS REQUIRED AT ALL MOUNTS. COORDINATE LOCATION & PARAMETERS OF ACCESS PANELS FOR MOUNTS AND ELECTRICAL BOXES WITH STERIS REPRESENTATIVE

INTEGRATION CONDUIT SCHEDULE			
FROM - TO	QUANTITY	SIZE	RESPONSIBILITY
T1 - A1	2	2"	ELECTRICAL CONTRACTOR
T1 - B1	1	1.5"	ELECTRICAL CONTRACTOR
T1 - C1	2	1.5"	ELECTRICAL CONTRACTOR
T1 - C2	2	1.5"	ELECTRICAL CONTRACTOR
T1 - D1	1	1.5"	ELECTRICAL CONTRACTOR
T1 - D2	1	1.5"	ELECTRICAL CONTRACTOR
T1 - E1	1	1"	ELECTRICAL CONTRACTOR
T1 - G1	1	.75"	ELECTRICAL CONTRACTOR
T1 - G2	1	.75"	ELECTRICAL CONTRACTOR
T1 - G3	1	.75"	ELECTRICAL CONTRACTOR
T1 - G4	1	.75"	ELECTRICAL CONTRACTOR
T1 - N1	2	2"	ELECTRICAL CONTRACTOR
N1 - N3	1	1.25"	ELECTRICAL CONTRACTOR
N1 - PR1	1	1.25"	ELECTRICAL CONTRACTOR
N1 - Q1	1	1"	ELECTRICAL CONTRACTOR
N1 - TP1	1	1.25"	ELECTRICAL CONTRACTOR
T1 - V2	2	1.5"	ELECTRICAL CONTRACTOR
T1 - V3	2	1.5"	ELECTRICAL CONTRACTOR
V2 - V3	1	1.25"	ELECTRICAL CONTRACTOR

\*\*\*ALL LIGHT MOUNTS (B) REQUIRE 2 J-HOOKS EACH, 8" APART -OR- EQUIVALENT SUSPENSION POINTS ABOVE THE STRUCTURAL MOUNTING PLATE



STERIS drawings do not supersede the drawings from the architect of record.

**STERIS**  
Healthcare Design Group  
5960 Heisley Road  
Mentor, OH 44060 USA  
800-548-4873

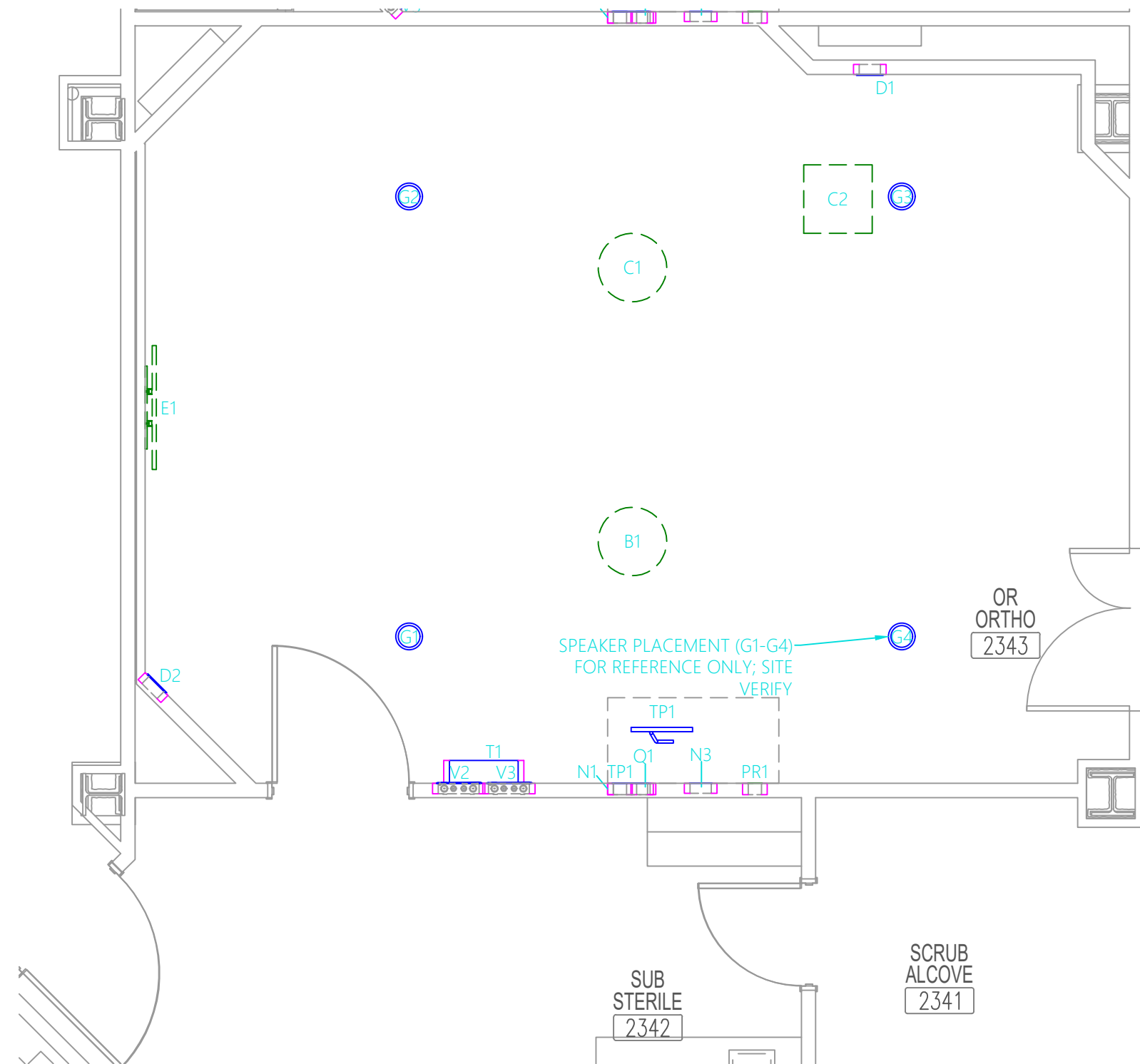
HEXAVUE INTEGRATION SYSTEM  
PROPOSED OPERATING ROOM 1 LAYOUT  
[2344]

PARK CITY HOSPITAL  
PARK CITY, UTAH

8858D6R1-INT

DR	JTP	CK	DATE	28AUG2023
SCALE	NTS		PAGE	02

STERIS drawings do not supersede the drawings from the architect of record.



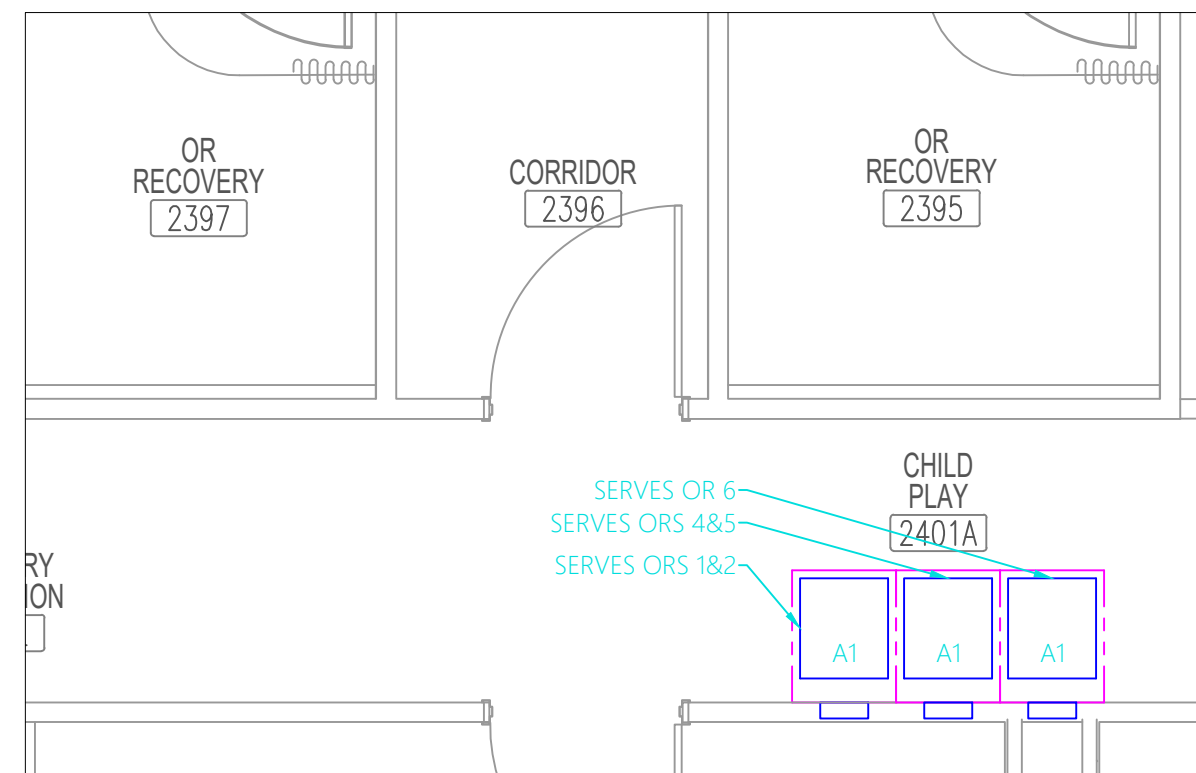
INTEGRATION EQUIPMENT SCHEDULE		
LEGEND	DESCRIPTION	RESPONSIBILITY
A1	INTEGRATION RACK	STERIS
	WALL MOUNTED 12x12x4" JUNCTION BOX REQUIRED FOR INTEGRATION RACK	ELECTRICAL CONTRACTOR
B1***	EXISTING SURGICAL LIGHT MOUNT	STERIS
C1***	EXISTING TANDEM EQUIPMENT BOOM	STERIS
C2***	EXISTING ANESTHESIA BOOM	STERIS
D1	WALL MOUNTED HUBBELL - RACO 698 4 GANG JUNCTION BOX FOR DAVINCI INPUT/OUTPUT CONNECTIONS	ELECTRICAL CONTRACTOR
D2	WALL MOUNTED HUBBELL - RACO 698 4 GANG JUNCTION BOX FOR HD GUEST INPUT	ELECTRICAL CONTRACTOR
E1	EXISTING WALL MOUNTED DISPLAY	STERIS
	WALL MOUNTED 4 1/16" JUNCTION BOX WITH SINGLE GANG MUD RING REQUIRED FOR EXISTING WALL MOUNTED DISPLAY	ELECTRICAL CONTRACTOR
G1	CEILING MOUNTED SPEAKER	STERIS
G2	CEILING MOUNTED SPEAKER	STERIS
G3	CEILING MOUNTED SPEAKER	STERIS
G4	CEILING MOUNTED SPEAKER	STERIS
N1	WALL MOUNTED 12x12x4" JUNCTION BOX	ELECTRICAL CONTRACTOR
N3	WALL MOUNTED HUBBELL - RACO 698 4 GANG JUNCTION BOX FOR PACS PC INPUT	ELECTRICAL CONTRACTOR
	WALL MOUNTED 4 1/16" JUNCTION BOX WITH SINGLE GANG MUD RING USED FOR EXISTING PRINTER	ELECTRICAL CONTRACTOR
PR1	SONY (UP-DR80MD) DIMS: 12.5" X 8.12" X 16.75" APPROX. 25.3LBS	STERIS
Q1	WALL MOUNTED 4 1/16" JUNCTION BOX WITH SINGLE GANG MUD RING USED FOR AUDIO	ELECTRICAL CONTRACTOR
T1	24" H x 24" W X 8" D JUNCTION BOX ABOVE CEILING	ELECTRICAL CONTRACTOR
TP1	TOUCH PANEL	STERIS
	WALL MOUNTED 4 1/16" JUNCTION BOX WITH SINGLE GANG MUD RING REQUIRED FOR TOUCH PANEL	ELECTRICAL CONTRACTOR
V2	WALL MOUNTED LEVITON BOX FOR STERIS POWER DISTRIBUTION	ELECTRICAL CONTRACTOR
V3	WALL MOUNTED LEVITON BOX FOR STERIS POWER DISTRIBUTION	ELECTRICAL CONTRACTOR

**SHEET NOTES**

- (1) QUAD POWER RECEPTACLE REQUIRED AT EACH TOUCH PANEL LOCATION; (2) QUAD POWER RECEPTACLES ARE RECOMMENDED
- HUBBELL - RACO 698 4 GANG JUNCTION BOXES USED FOR FIBER SOLUTIONS
- HUBBELL - RACO 698 4 GANG JUNCTION BOXES REQUIRE CONDUIT TO ENTER ON THE RIGHT HALF OF THE BOX
- HUBBELL - RACO 698 4 GANG JUNCTION BOXES REQUIRE 2" MINIMUM SERVICE CLEARANCE AROUND ALL SIDES OF THE BOX
- (4) NETWORK PORTS AND (2) 20 AMP QUAD POWER RECEPTACLE AT RACK LOCATION
- EMERGENCY POWER REQUIRED FOR EQUIPMENT RACK, TOUCH PANELS AND LEVITON BOX
- THE CUSTOMER/CONTRACTOR IS RESPONSIBLE FOR CUTTING A 4" "MOUSE HOLE" CUTOUT IN THE BOTTOM CENTER OF THE 12X12 METAL COVER PLATE OF THE A1 JUNCTION BOX
- A 24" X 24" HINGED ACCESS PANEL IS REQUIRED AT ALL MOUNTS. COORDINATE LOCATION & PARAMETERS OF ACCESS PANELS FOR MOUNTS AND ELECTRICAL BOXES WITH STERIS REPRESENTATIVE

INTEGRATION CONDUIT SCHEDULE			
FROM - TO	QUANTITY	SIZE	RESPONSIBILITY
T1 - A1	2	2"	ELECTRICAL CONTRACTOR
T1 - B1	1	1.5"	ELECTRICAL CONTRACTOR
T1 - C1	2	1.5"	ELECTRICAL CONTRACTOR
T1 - C2	2	1.5"	ELECTRICAL CONTRACTOR
T1 - D1	1	1.5"	ELECTRICAL CONTRACTOR
T1 - D2	1	1.5"	ELECTRICAL CONTRACTOR
T1 - E1	1	1"	ELECTRICAL CONTRACTOR
T1 - G1	1	.75"	ELECTRICAL CONTRACTOR
T1 - G3	1	.75"	ELECTRICAL CONTRACTOR
T1 - G2	1	.75"	ELECTRICAL CONTRACTOR
T1 - G4	1	.75"	ELECTRICAL CONTRACTOR
T1 - N1	2	2"	ELECTRICAL CONTRACTOR
N1 - N3	1	1.25"	ELECTRICAL CONTRACTOR
N1 - PR1	1	1.25"	ELECTRICAL CONTRACTOR
N1 - Q1	1	1"	ELECTRICAL CONTRACTOR
N1 - TP1	1	1.25"	ELECTRICAL CONTRACTOR
T1 - V2	2	1.5"	ELECTRICAL CONTRACTOR
T1 - V3	2	1.5"	ELECTRICAL CONTRACTOR
V2 - V3	1	1.25"	ELECTRICAL CONTRACTOR

\*\*\*ALL LIGHT MOUNTS (B) REQUIRE 2 J-HOOKS EACH, 8" APART -OR- EQUIVALENT SUSPENSION POINTS ABOVE THE STRUCTURAL MOUNTING PLATE



STERIS drawings do not supersede the drawings from the architect of record.

**STERIS**  
Healthcare Design Group  
5960 Heisley Road  
Mentor, OH 44060 USA  
800-548-4873

HEXAVUE INTEGRATION SYSTEM  
PROPOSED OPERATING ROOM 2 LAYOUT  
[2343]

PARK CITY HOSPITAL  
PARK CITY, UTAH

8858D6R1-INT

DR	JTP	CK	DATE	28AUG2023
SCALE	NTS		PAGE	02A

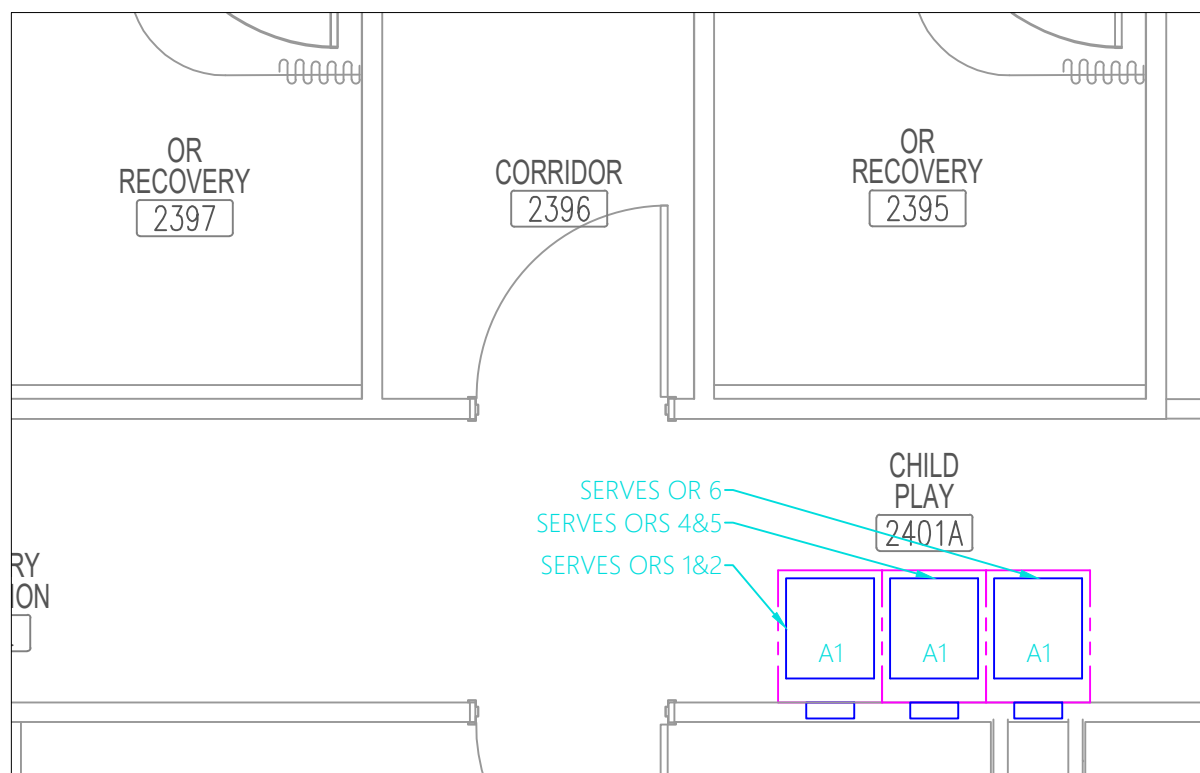
STERIS drawings do not supersede the drawings from the architect of record.

INTEGRATION EQUIPMENT SCHEDULE		
LEGEND	DESCRIPTION	RESPONSIBILITY
A1	INTEGRATION RACK WALL MOUNTED 12x12x4" JUNCTION BOX REQUIRED FOR INTEGRATION RACK	STERIS ELECTRICAL CONTRACTOR
B1***	EXISTING SURGICAL LIGHT MOUNT	STERIS
C1***	EXISTING TANDEM EQUIPMENT BOOM	STERIS
C2***	EXISTING ANESTHESIA BOOM	STERIS
D1	WALL MOUNTED HUBBELL - RACO 698 4 GANG JUNCTION BOX FOR DAVINCI INPUT/OUTPUT CONNECTIONS	ELECTRICAL CONTRACTOR
D2	WALL MOUNTED HUBBELL - RACO 698 4 GANG JUNCTION BOX FOR HD GUEST INPUT	ELECTRICAL CONTRACTOR
E1	EXISTING WALL MOUNTED DISPLAY WALL MOUNTED 4 1/16" JUNCTION BOX WITH SINGLE GANG MUD RING REQUIRED FOR EXISTING WALL MOUNTED DISPLAY	STERIS ELECTRICAL CONTRACTOR
G1	CEILING MOUNTED SPEAKER	STERIS
G2	CEILING MOUNTED SPEAKER	STERIS
G3	CEILING MOUNTED SPEAKER	STERIS
G4	CEILING MOUNTED SPEAKER	STERIS
N1	WALL MOUNTED HUBBELL - RACO 698 4 GANG JUNCTION BOX FOR PACS PC INPUT	ELECTRICAL CONTRACTOR
N3	WALL MOUNTED HUBBELL - RACO 698 4 GANG JUNCTION BOX FOR PACS PC INPUT	ELECTRICAL CONTRACTOR
PR1	WALL MOUNTED 4 1/16" JUNCTION BOX WITH SINGLE GANG MUD RING USED FOR EXISTING PRINTER SONY (UP-DR80MD) DIMS: 12.5" X 8.12" X 16.75" APPROX. 25.3LBS	STERIS ELECTRICAL CONTRACTOR
Q1	WALL MOUNTED 4 1/16" JUNCTION BOX WITH SINGLE GANG MUD RING USED FOR AUDIO	ELECTRICAL CONTRACTOR
T1	24" H x 24" W X 8" D JUNCTION BOX ABOVE CEILING	ELECTRICAL CONTRACTOR
TP1	TOUCH PANEL WALL MOUNTED 4 1/16" JUNCTION BOX WITH SINGLE GANG MUD RING REQUIRED FOR TOUCH PANEL	STERIS ELECTRICAL CONTRACTOR
V2	WALL MOUNTED LEVITON BOX FOR STERIS POWER DISTRIBUTION	ELECTRICAL CONTRACTOR
V3	WALL MOUNTED LEVITON BOX FOR STERIS POWER DISTRIBUTION	ELECTRICAL CONTRACTOR

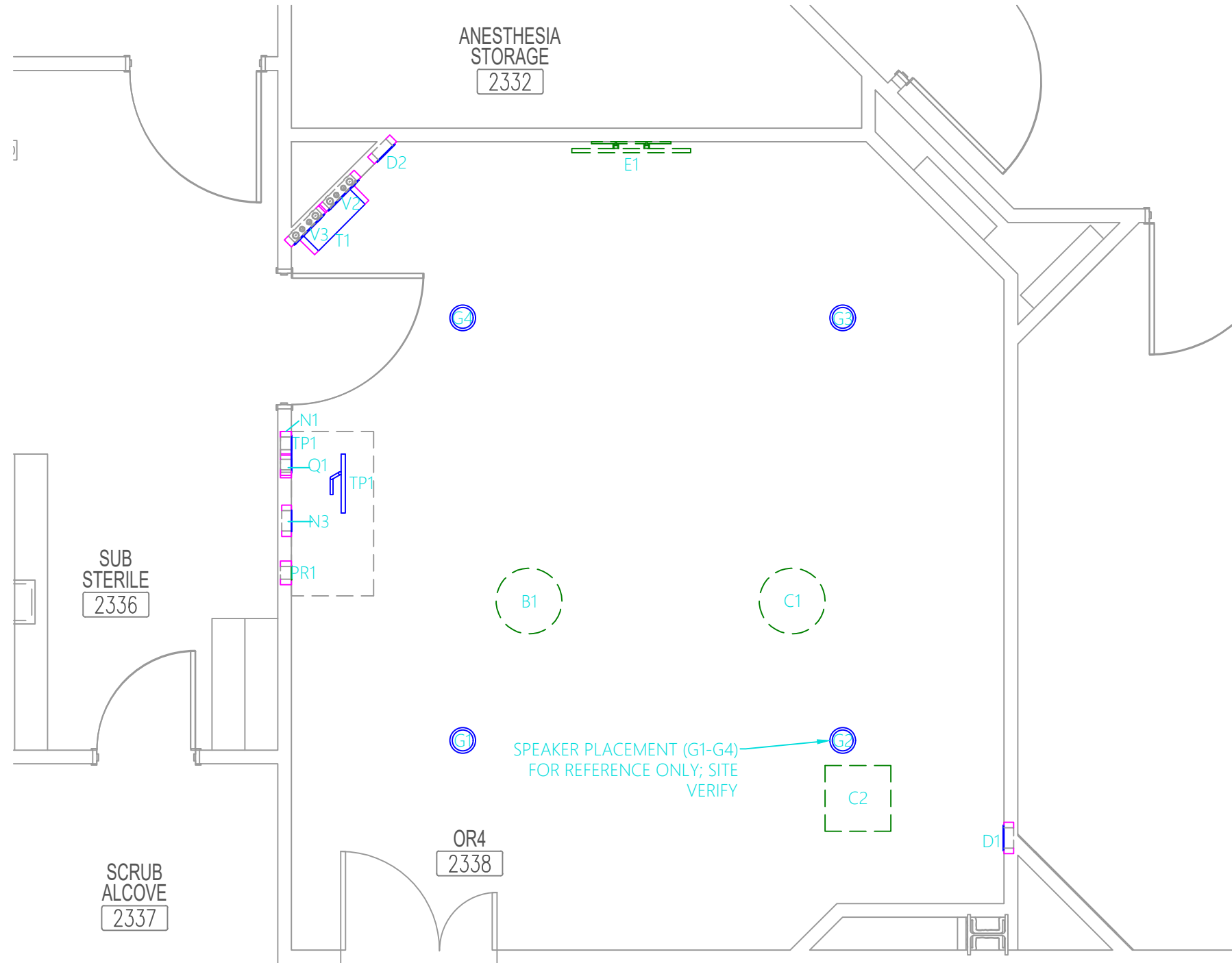
INTEGRATION CONDUIT SCHEDULE			
FROM - TO	QUANTITY	SIZE	RESPONSIBILITY
T1 - A1	2	2"	ELECTRICAL CONTRACTOR
T1 - B1	1	1.5"	ELECTRICAL CONTRACTOR
T1 - C1	2	1.5"	ELECTRICAL CONTRACTOR
T1 - C2	2	1.5"	ELECTRICAL CONTRACTOR
T1 - D1	1	1.5"	ELECTRICAL CONTRACTOR
T1 - D2	1	1.5"	ELECTRICAL CONTRACTOR
T1 - E1	1	1"	ELECTRICAL CONTRACTOR
T1 - G1	1	.75"	ELECTRICAL CONTRACTOR
T1 - G3	1	.75"	ELECTRICAL CONTRACTOR
T1 - G2	1	.75"	ELECTRICAL CONTRACTOR
T1 - G4	1	.75"	ELECTRICAL CONTRACTOR
T1 - N1	2	2"	ELECTRICAL CONTRACTOR
N1 - N3	1	1.25"	ELECTRICAL CONTRACTOR
N1 - PR1	1	1.25"	ELECTRICAL CONTRACTOR
N1 - Q1	1	1"	ELECTRICAL CONTRACTOR
N1 - TP1	1	1.25"	ELECTRICAL CONTRACTOR
T1 - V2	2	1.5"	ELECTRICAL CONTRACTOR
T1 - V3	2	1.5"	ELECTRICAL CONTRACTOR
V2 - V3	1	1.25"	ELECTRICAL CONTRACTOR

\*\*\*ALL LIGHT MOUNTS (B) REQUIRE 2 J-HOOKS EACH, 8" APART -OR- EQUIVALENT SUSPENSION POINTS ABOVE THE STRUCTURAL MOUNTING PLATE

- SHEET NOTES**
- (1) QUAD POWER RECEPTACLE REQUIRED AT EACH TOUCH PANEL LOCATION; (2) QUAD POWER RECEPTACLES ARE RECOMMENDED
  - HUBBELL - RACO 698 4 GANG JUNCTION BOXES USED FOR FIBER SOLUTIONS
  - HUBBELL - RACO 698 4 GANG JUNCTION BOXES REQUIRE CONDUIT TO ENTER ON THE RIGHT HALF OF THE BOX
  - HUBBELL - RACO 698 4 GANG JUNCTION BOXES REQUIRE 2" MINIMUM SERVICE CLEARANCE AROUND ALL SIDES OF THE BOX
  - (4) NETWORK PORTS AND (2) 20 AMP QUAD POWER RECEPTACLE AT RACK LOCATION
  - EMERGENCY POWER REQUIRED FOR EQUIPMENT RACK, TOUCH PANELS AND LEVITON BOX
  - THE CUSTOMER/CONTRACTOR IS RESPONSIBLE FOR CUTTING A 4" "MOUSE HOLE" CUTOUT IN THE BOTTOM CENTER OF THE 12X12 METAL COVER PLATE OF THE A1 JUNCTION BOX
  - A 24" X 24" HINGED ACCESS PANEL IS REQUIRED AT ALL MOUNTS. COORDINATE LOCATION & PARAMETERS OF ACCESS PANELS FOR MOUNTS AND ELECTRICAL BOXES WITH STERIS REPRESENTATIVE



STERIS drawings do not supersede the drawings from the architect of record.



**STERIS**  
Healthcare Design Group  
5960 Heisley Road  
Mentor, OH 44060 USA  
800-548-4873

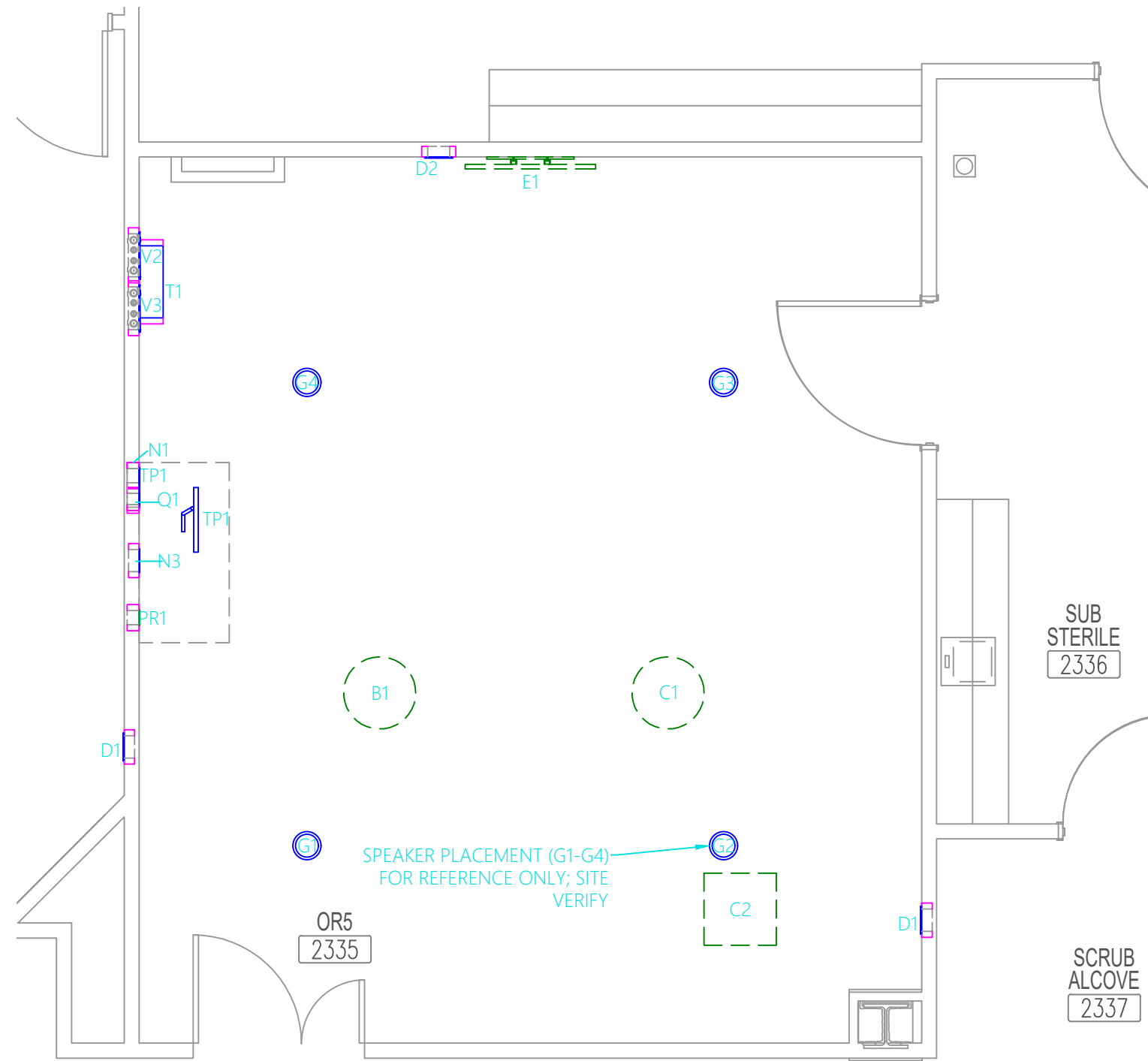
HEXAVUE INTEGRATION SYSTEM  
PROPOSED OPERATING ROOM 4 LAYOUT  
[2338]

PARK CITY HOSPITAL  
PARK CITY, UTAH

**8858D6R1-INT**

DR	JTP	CK	DATE	28AUG2023
SCALE			NTS	PAGE 02B

STERIS drawings do not supersede the drawings from the architect of record.

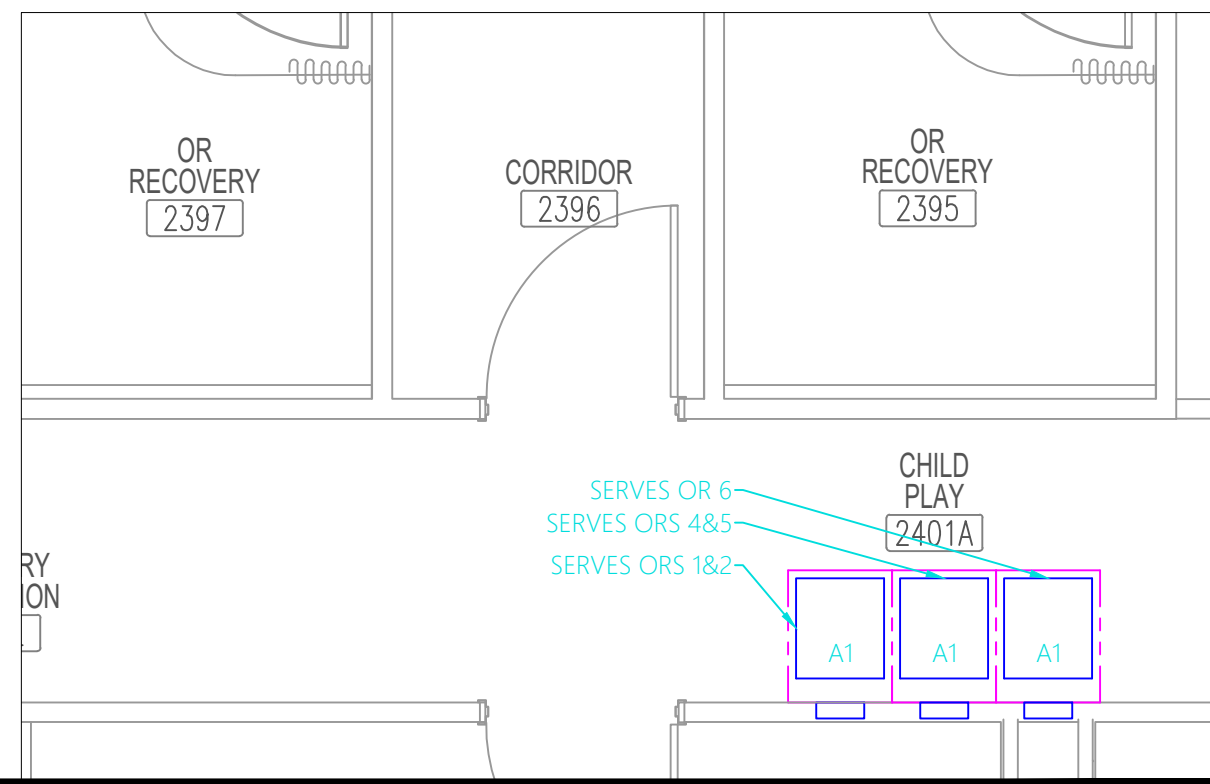


INTEGRATION EQUIPMENT SCHEDULE		
LEGEND	DESCRIPTION	RESPONSIBILITY
A1	INTEGRATION RACK	STERIS
	WALL MOUNTED 12x12x4" JUNCTION BOX REQUIRED FOR INTEGRATION RACK	ELECTRICAL CONTRACTOR
B1***	EXISTING SURGICAL LIGHT MOUNT	STERIS
C1***	EXISTING TANDEM EQUIPMENT BOOM	STERIS
C2***	EXISTING ANESTHESIA BOOM	STERIS
D1	WALL MOUNTED HUBBELL - RACO 698 4 GANG JUNCTION BOX FOR DAVINCI INPUT/OUTPUT CONNECTIONS	ELECTRICAL CONTRACTOR
D2	WALL MOUNTED HUBBELL - RACO 698 4 GANG JUNCTION BOX FOR HD GUEST INPUT	ELECTRICAL CONTRACTOR
E1	EXISTING WALL MOUNTED DISPLAY	STERIS
	WALL MOUNTED 4 1/16" JUNCTION BOX WITH SINGLE GANG MUD RING REQUIRED FOR EXISTING WALL MOUNTED DISPLAY	ELECTRICAL CONTRACTOR
G1	CEILING MOUNTED SPEAKER	STERIS
G2	CEILING MOUNTED SPEAKER	STERIS
G3	CEILING MOUNTED SPEAKER	STERIS
G4	CEILING MOUNTED SPEAKER	STERIS
N1	WALL MOUNTED HUBBELL - RACO 698 4 GANG JUNCTION BOX FOR PACS PC INPUT	ELECTRICAL CONTRACTOR
N3	WALL MOUNTED HUBBELL - RACO 698 4 GANG JUNCTION BOX FOR PACS PC INPUT	ELECTRICAL CONTRACTOR
	WALL MOUNTED 4 1/16" JUNCTION BOX WITH SINGLE GANG MUD RING USED FOR EXISTING PRINTER	ELECTRICAL CONTRACTOR
PR1	SONY (UP-DR80MD) DIMS: 12.5" X 8.12" X 16.75" APPROX. 25.3LBS	STERIS
Q1	WALL MOUNTED 4 1/16" JUNCTION BOX WITH SINGLE GANG MUD RING USED FOR AUDIO	ELECTRICAL CONTRACTOR
T1	24" H x 24" W X 8" D JUNCTION BOX ABOVE CEILING	ELECTRICAL CONTRACTOR
TP1	TOUCH PANEL	STERIS
	WALL MOUNTED 4 1/16" JUNCTION BOX WITH SINGLE GANG MUD RING REQUIRED FOR TOUCH PANEL	ELECTRICAL CONTRACTOR
V2	WALL MOUNTED LEVITON BOX FOR STERIS POWER DISTRIBUTION	ELECTRICAL CONTRACTOR
V3	WALL MOUNTED LEVITON BOX FOR STERIS POWER DISTRIBUTION	ELECTRICAL CONTRACTOR

- SHEET NOTES**
- (1) QUAD POWER RECEPTACLE REQUIRED AT EACH TOUCH PANEL LOCATION; (2) QUAD POWER RECEPTACLES ARE RECOMMENDED
  - HUBBELL - RACO 698 4 GANG JUNCTION BOXES USED FOR FIBER SOLUTIONS
  - HUBBELL - RACO 698 4 GANG JUNCTION BOXES REQUIRE CONDUIT TO ENTER ON THE RIGHT HALF OF THE BOX
  - HUBBELL - RACO 698 4 GANG JUNCTION BOXES REQUIRE 2" MINIMUM SERVICE CLEARANCE AROUND ALL SIDES OF THE BOX
  - (4) NETWORK PORTS AND (2) 20 AMP QUAD POWER RECEPTACLE AT RACK LOCATION
  - EMERGENCY POWER REQUIRED FOR EQUIPMENT RACK, TOUCH PANELS AND LEVITON BOX
  - THE CUSTOMER/CONTRACTOR IS RESPONSIBLE FOR CUTTING A 4" "MOUSE HOLE" CUTOUT IN THE BOTTOM CENTER OF THE 12X12 METAL COVER PLATE OF THE A1 JUNCTION BOX
  - A 24" X 24" HINGED ACCESS PANEL IS REQUIRED AT ALL MOUNTS. COORDINATE LOCATION & PARAMETERS OF ACCESS PANELS FOR MOUNTS AND ELECTRICAL BOXES WITH STERIS REPRESENTATIVE

INTEGRATION CONDUIT SCHEDULE			
FROM - TO	QUANTITY	SIZE	RESPONSIBILITY
T1 - A1	2	2"	ELECTRICAL CONTRACTOR
T1 - B1	1	1.5"	ELECTRICAL CONTRACTOR
T1 - C1	2	1.5"	ELECTRICAL CONTRACTOR
T1 - C2	2	1.5"	ELECTRICAL CONTRACTOR
T1 - D1	1	1.5"	ELECTRICAL CONTRACTOR
T1 - D2	1	1.5"	ELECTRICAL CONTRACTOR
T1 - E1	1	1"	ELECTRICAL CONTRACTOR
T1 - G1	1	.75"	ELECTRICAL CONTRACTOR
T1 - G3	1	.75"	ELECTRICAL CONTRACTOR
T1 - G2	1	.75"	ELECTRICAL CONTRACTOR
T1 - G4	1	.75"	ELECTRICAL CONTRACTOR
T1 - N1	2	2"	ELECTRICAL CONTRACTOR
N1 - N3	1	1.25"	ELECTRICAL CONTRACTOR
N1 - PR1	1	1.25"	ELECTRICAL CONTRACTOR
N1 - Q1	1	1"	ELECTRICAL CONTRACTOR
N1 - TP1	1	1.25"	ELECTRICAL CONTRACTOR
T1 - V2	2	1.5"	ELECTRICAL CONTRACTOR
T1 - V3	2	1.5"	ELECTRICAL CONTRACTOR
V2 - V3	1	1.25"	ELECTRICAL CONTRACTOR

\*\*\*ALL LIGHT MOUNTS (B) REQUIRE 2 J-HOOKS EACH, 8" APART -OR- EQUIVALENT SUSPENSION POINTS ABOVE THE STRUCTURAL MOUNTING PLATE



STERIS drawings do not supersede the drawings from the architect of record.

**STERIS**  
Healthcare Design Group  
5960 Heisley Road  
Mentor, OH 44060 USA  
800-548-4873

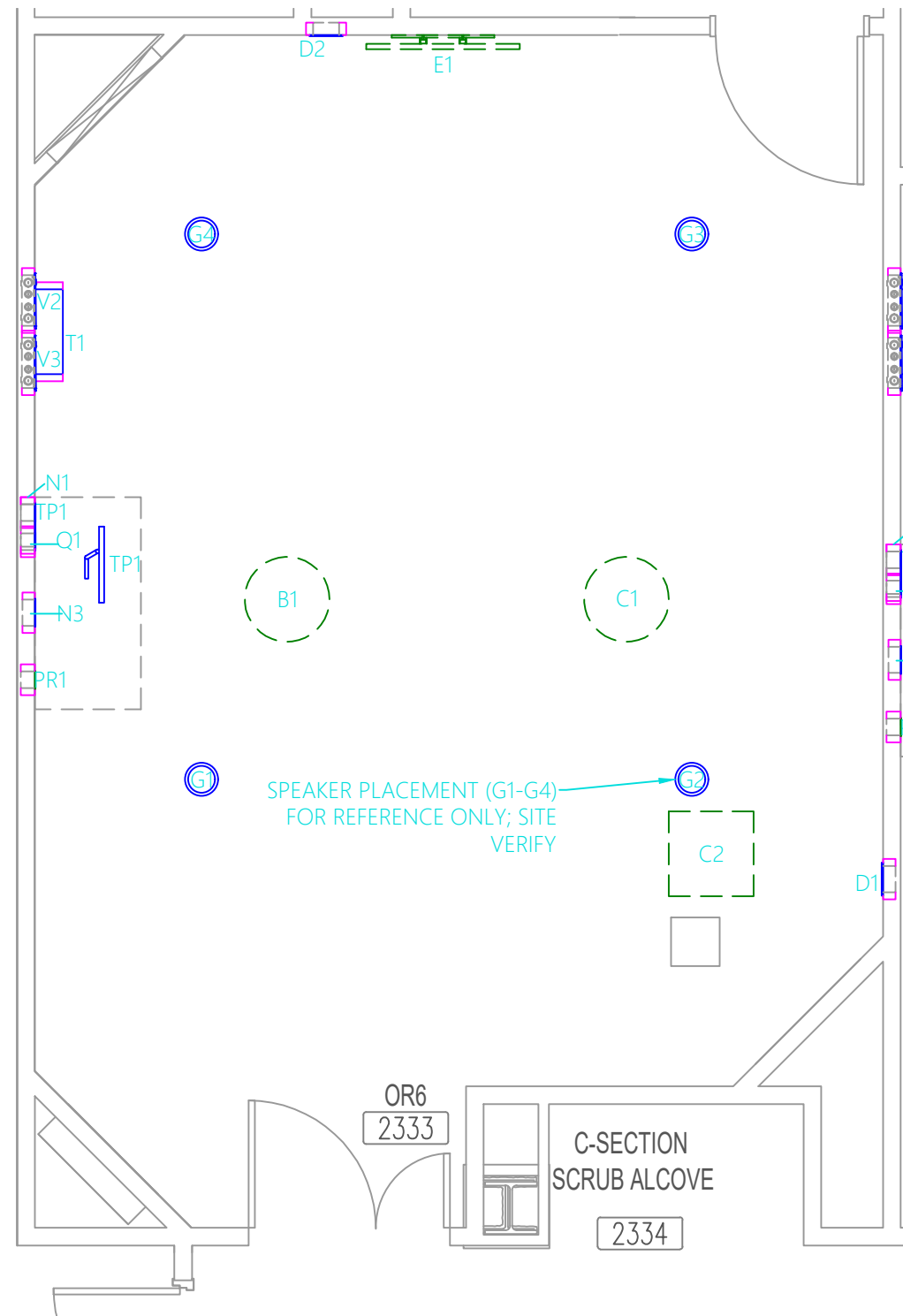
HEXAVUE INTEGRATION SYSTEM  
PROPOSED OPERATING ROOM 5 LAYOUT  
[2335]

PARK CITY HOSPITAL  
PARK CITY, UTAH

8858D6R1-INT

DR	JTP	CK	DATE	28AUG2023
SCALE	NTS		PAGE	02C

STERIS drawings do not supersede the drawings from the architect of record.



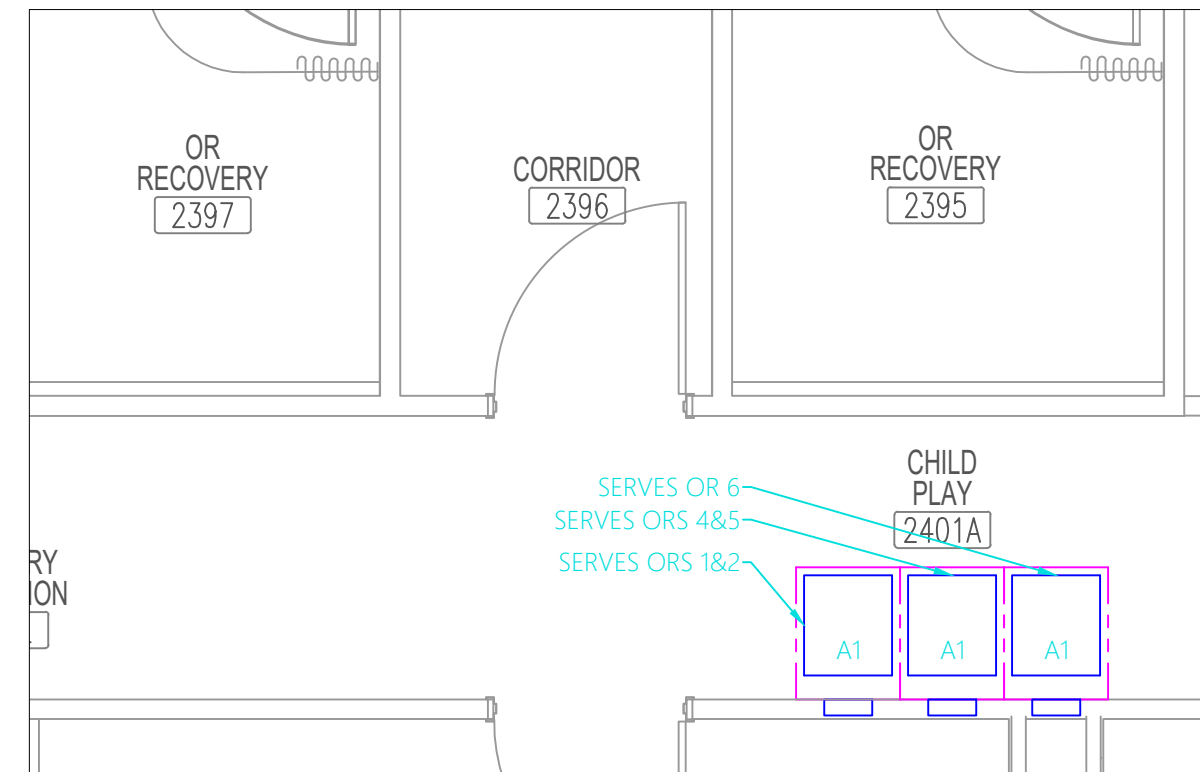
INTEGRATION EQUIPMENT SCHEDULE		
LEGEND	DESCRIPTION	RESPONSIBILITY
A1	INTEGRATION RACK	STERIS
	WALL MOUNTED 12x12x4" JUNCTION BOX REQUIRED FOR INTEGRATION RACK	ELECTRICAL CONTRACTOR
B1***	EXISTING SURGICAL LIGHT MOUNT	STERIS
C1***	EXISTING TANDEM EQUIPMENT BOOM	STERIS
C2***	EXISTING ANESTHESIA BOOM	STERIS
D1	WALL MOUNTED HUBBELL - RACO 698 4 GANG JUNCTION BOX FOR DAVINCI INPUT/OUTPUT CONNECTIONS	ELECTRICAL CONTRACTOR
D2	WALL MOUNTED HUBBELL - RACO 698 4 GANG JUNCTION BOX FOR HD GUEST INPUT	ELECTRICAL CONTRACTOR
E1	EXISTING WALL MOUNTED DISPLAY	STERIS
	WALL MOUNTED 4 1/16" JUNCTION BOX WITH SINGLE GANG MUD RING REQUIRED FOR EXISTING WALL MOUNTED DISPLAY	ELECTRICAL CONTRACTOR
G1	CEILING MOUNTED SPEAKER	STERIS
G2	CEILING MOUNTED SPEAKER	STERIS
G3	CEILING MOUNTED SPEAKER	STERIS
G4	CEILING MOUNTED SPEAKER	STERIS
N1	WALL MOUNTED HUBBELL - RACO 698 4 GANG JUNCTION BOX FOR PACS PC INPUT	ELECTRICAL CONTRACTOR
N3	WALL MOUNTED HUBBELL - RACO 698 4 GANG JUNCTION BOX FOR PACS PC INPUT	ELECTRICAL CONTRACTOR
PR1	WALL MOUNTED 4 1/16" JUNCTION BOX WITH SINGLE GANG MUD RING USED FOR EXISTING PRINTER	ELECTRICAL CONTRACTOR
	SONY (UP-DR80MD) DIMS: 12.5" X 8.12" X 16.75" APPROX. 25.3LBS	STERIS
Q1	WALL MOUNTED 4 1/16" JUNCTION BOX WITH SINGLE GANG MUD RING USED FOR AUDIO	ELECTRICAL CONTRACTOR
T1	24" H x 24" W X 8" D JUNCTION BOX ABOVE CEILING	ELECTRICAL CONTRACTOR
TP1	TOUCH PANEL	STERIS
	WALL MOUNTED 4 1/16" JUNCTION BOX WITH SINGLE GANG MUD RING REQUIRED FOR TOUCH PANEL	ELECTRICAL CONTRACTOR
V2	WALL MOUNTED LEVITON BOX FOR STERIS POWER DISTRIBUTION	ELECTRICAL CONTRACTOR
V3	WALL MOUNTED LEVITON BOX FOR STERIS POWER DISTRIBUTION	ELECTRICAL CONTRACTOR

**SHEET NOTES**

- (1) QUAD POWER RECEPTACLE REQUIRED AT EACH TOUCH PANEL LOCATION; (2) QUAD POWER RECEPTACLES ARE RECOMMENDED
- HUBBELL - RACO 698 4 GANG JUNCTION BOXES USED FOR FIBER SOLUTIONS
- HUBBELL - RACO 698 4 GANG JUNCTION BOXES REQUIRE CONDUIT TO ENTER ON THE RIGHT HALF OF THE BOX
- HUBBELL - RACO 698 4 GANG JUNCTION BOXES REQUIRE 2" MINIMUM SERVICE CLEARANCE AROUND ALL SIDES OF THE BOX
- (4) NETWORK PORTS AND (2) 20 AMP QUAD POWER RECEPTACLE AT RACK LOCATION
- EMERGENCY POWER REQUIRED FOR EQUIPMENT RACK, TOUCH PANELS AND LEVITON BOX
- THE CUSTOMER/CONTRACTOR IS RESPONSIBLE FOR CUTTING A 4" "MOUSE HOLE" CUTOUT IN THE BOTTOM CENTER OF THE 12X12 METAL COVER PLATE OF THE A1 JUNCTION BOX
- A 24" X 24" HINGED ACCESS PANEL IS REQUIRED AT ALL MOUNTS. COORDINATE LOCATION & PARAMETERS OF ACCESS PANELS FOR MOUNTS AND ELECTRICAL BOXES WITH STERIS REPRESENTATIVE

INTEGRATION CONDUIT SCHEDULE			
FROM - TO	QUANTITY	SIZE	RESPONSIBILITY
T1 - A1	2	2"	ELECTRICAL CONTRACTOR
T1 - B1	1	1.5"	ELECTRICAL CONTRACTOR
T1 - C1	2	1.5"	ELECTRICAL CONTRACTOR
T1 - C2	2	1.5"	ELECTRICAL CONTRACTOR
T1 - D1	1	1.5"	ELECTRICAL CONTRACTOR
T1 - D2	1	1.5"	ELECTRICAL CONTRACTOR
T1 - E1	1	1"	ELECTRICAL CONTRACTOR
T1 - G1	1	.75"	ELECTRICAL CONTRACTOR
T1 - G3	1	.75"	ELECTRICAL CONTRACTOR
T1 - G2	1	.75"	ELECTRICAL CONTRACTOR
T1 - G4	1	.75"	ELECTRICAL CONTRACTOR
T1 - N1	2	2"	ELECTRICAL CONTRACTOR
N1 - N3	1	1.25"	ELECTRICAL CONTRACTOR
N1 - PR1	1	1.25"	ELECTRICAL CONTRACTOR
N1 - Q1	1	1"	ELECTRICAL CONTRACTOR
N1 - TP1	1	1.25"	ELECTRICAL CONTRACTOR
T1 - V2	2	1.5"	ELECTRICAL CONTRACTOR
T1 - V3	2	1.5"	ELECTRICAL CONTRACTOR
V2 - V3	1	1.25"	ELECTRICAL CONTRACTOR

\*\*\*ALL LIGHT MOUNTS (B) REQUIRE 2 J-HOOKS EACH, 8" APART -OR- EQUIVALENT SUSPENSION POINTS ABOVE THE STRUCTURAL MOUNTING PLATE



STERIS drawings do not supersede the drawings from the architect of record.

**STERIS**  
Healthcare Design Group  
5960 Heisley Road  
Mentor, OH 44060 USA  
800-548-4873

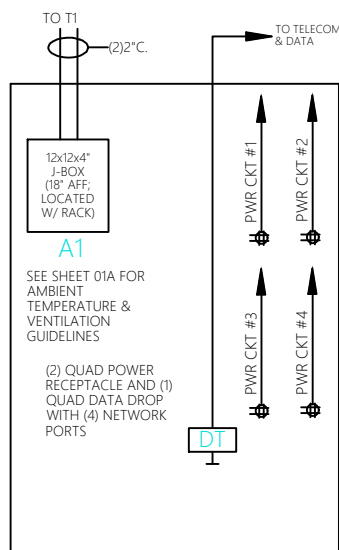
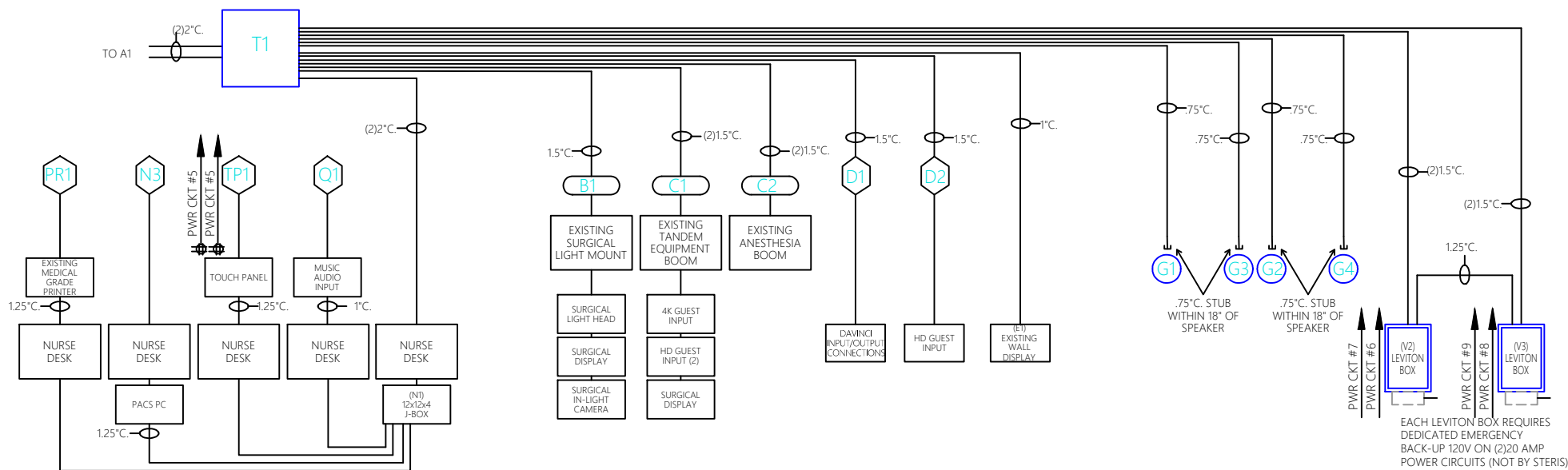
HEXAVUE INTEGRATION SYSTEM  
PROPOSED OPERATING ROOM 6 LAYOUT  
[2333]

PARK CITY HOSPITAL  
PARK CITY, UTAH

8858D6R1-INT  
DR JTP CK DATE 28AUG2023  
SCALE NTS PAGE 02D



STERIS drawings do not supersede the drawings from the architect of record.



**ABBREVIATIONS**

A.F.F. = ABOVE FINISHED FLOOR  
 B.C.P. = BLANK COVER PLATE  
 C. = CONDUIT  
 C.P. = COVER PLATE  
 C.K.T. = CIRCUIT  
 E.C. = ELECTRICAL CONTRACTOR  
 N.S.E. = NURSE STATION EQUIPMENT

**RISER LEGEND**

SYMBOL	DESCRIPTION	MOUNTING/COMMENT
[AP]	CEILING ACCESS PANEL	FOR REQUIRED ACCESS TO BOXES
[B]	EQUIPMENT LABEL	DENOTED CEILING MOUNT
[N]	CONDUIT OR CABLE RUN	JUNCTION BOX REFERENCE
[E]	CONDUIT STUB OUT	CONDUIT STUB OUT WITH BUSHING
[S]	CEILING SPEAKER	CEILING, FLUSH, RECEPTACLE HEIGHT
[P]	DUPLEX POWER RECEPTACLE	WALL, FLUSH, RECEPTACLE HEIGHT
[Q]	QUAD POWER RECEPTACLE	WALL, FLUSH, RECEPTACLE HEIGHT
[DT]	DATA/TELEPHONE BOX	WALL, FLUSH, RECEPTACLE HEIGHT

STERIS IS NOT RESPONSIBLE FOR SPEC-ING POWER OR DATA REQUIREMENTS OF NON-STERIS PROVIDED EQUIPMENT

**JUNCTION BOX SCHEDULE**

J-BOX #	SIZE	TYPE	MOUNTING
A1	12"H X 12"W X 4"D	PULL BOX	IN WALL
N1	12"H X 12"W X 4"D	PULL BOX	IN WALL
T1	24"H X 24"W X 8"D	NEMA 1, SCREW COVER	ABOVE CEILING

**JUNCTION BOX SCHEDULE NOTES**

- ALL BOXES ARE PROVIDED BY THE CLIENTS CONTRACTOR UNLESS NOTED OTHERWISE
- MOUNTING REQUIREMENTS SHOWN ARE THE DEFAULT REQUIREMENTS UNLESS OTHERWISE NOTED/DETAILED
- ALL BOXES AND COVER PLATES ARE PROVIDED BY THE CLIENTS CONTRACTOR UNLESS NOTED OTHERWISE
- MOUNTING REQUIREMENTS SHOWN ARE THE DEFAULT REQUIREMENTS UNLESS OTHERWISE NOTED/DETAILED
- BOXES/OUTLETS/RECEPTACLES LOCATED ABOVE THE CEILING MUST BE WITHIN 18" OF THE CEILING AND BE ACCESSIBLE FROM THE SPACE BELOW; CLIENT/G.C. TO PROVIDE SUITABLE CEILING ACCESS PANELS AT DEVICE LOCATIONS
- T1 JUNCTION BOX - 24" x 24" x 8" (MOUNTED VERTICALLY; NOT BY STERIS); 24" X 24" CEILING ACCESS PANEL REQUIRED FOR SERVICE ACCESS; ALL CONDUIT TO ENTER T1 BOX ANYWHERE EXCEPT FOR THE BACK SIDE; T1 BOX SHOULD NOT BE HIGHER THAN 12' ABOVE FINISHED FLOOR  
\*NOT TO BE LOCATED DIRECTLY ABOVE NURSE DESKS OR ANY OTHER FIXED EQUIPMENT\*

**CONDUIT NOTES**

- IF A DIRECT CONNECTION IS NEEDED BETWEEN TWO PIECES OF EQUIPMENT, CONDUIT MUST BE RUN
- EXACT CONDUIT PATH DETERMINED BY ELECTRICAL CONTRACTOR
- CONDUIT SHOULD NOT EXCEED 50'; SWEEP ELBOWS ARE REQUIRED IF CONDUIT EXCEEDS 100'
- MUST BE A PULL BOX FOR EVERY 270° OF CONDUIT BEND
- ALL CONDUITS SHOULD BE PROVIDED WITH PULL STRINGS AND MUST HAVE INSULATED BUSHINGS ON ALL OPEN ENDS
- USE OF FLEXIBLE CONDUIT IS NOT ACCEPTABLE
- STERIS WILL NOT BE RESPONSIBLE FOR FIRE STOPPING IN ANY FORM

**INTEGRATION EQUIPMENT SCHEDULE**

LEGEND	DESCRIPTION	RESPONSIBILITY
A1	INTEGRATION RACK	STERIS
	WALL MOUNTED 12x12x4" JUNCTION BOX REQUIRED FOR INTEGRATION RACK	ELECTRICAL CONTRACTOR
B1***	EXISTING SURGICAL LIGHT MOUNT	STERIS
C1***	EXISTING TANDEM EQUIPMENT BOOM	STERIS
C2***	EXISTING ANESTHESIA BOOM	STERIS
D1	WALL MOUNTED HUBBELL - RACO 698 4 GANG JUNCTION BOX FOR DAVINCI INPUT/OUTPUT CONNECTIONS	ELECTRICAL CONTRACTOR
D2	WALL MOUNTED HUBBELL - RACO 698 4 GANG JUNCTION BOX FOR HD GUEST INPUT	ELECTRICAL CONTRACTOR
E1	EXISTING WALL MOUNTED DISPLAY	STERIS
	WALL MOUNTED 4 11/16" JUNCTION BOX WITH SINGLE GANG MUD RING REQUIRED FOR EXISTING WALL MOUNTED DISPLAY	ELECTRICAL CONTRACTOR
G1	CEILING MOUNTED SPEAKER	STERIS
G3	CEILING MOUNTED SPEAKER	STERIS
G4	CEILING MOUNTED SPEAKER	STERIS
N1	WALL MOUNTED HUBBELL - RACO 698 4 GANG JUNCTION BOX FOR PACS PC INPUT	ELECTRICAL CONTRACTOR
N3	WALL MOUNTED HUBBELL - RACO 698 4 GANG JUNCTION BOX FOR PACS PC INPUT	ELECTRICAL CONTRACTOR
PR1	WALL MOUNTED 4 11/16" JUNCTION BOX WITH SINGLE GANG MUD RING USED FOR EXISTING PRINTER SONY (UP-DR80MD) DIMS: 12.5" X 8.12" X 16.75" APPROX. 25.3LBS	STERIS
Q1	WALL MOUNTED 4 11/16" JUNCTION BOX WITH SINGLE GANG MUD RING USED FOR AUDIO	ELECTRICAL CONTRACTOR
T1	24" H X 24" W X 8" D JUNCTION BOX ABOVE CEILING	ELECTRICAL CONTRACTOR
TP1	TOUCH PANEL	STERIS
V2	WALL MOUNTED LEVITON BOX FOR STERIS POWER DISTRIBUTION	ELECTRICAL CONTRACTOR
V3	WALL MOUNTED LEVITON BOX FOR STERIS POWER DISTRIBUTION	ELECTRICAL CONTRACTOR

- SHEET NOTES**
- (1) QUAD POWER RECEPTACLE REQUIRED AT EACH TOUCH PANEL LOCATION; (2) QUAD POWER RECEPTACLES ARE RECOMMENDED
  - HUBBELL - RACO 698 4 GANG JUNCTION BOXES USED FOR FIBER SOLUTIONS
  - HUBBELL - RACO 698 4 GANG JUNCTION BOXES REQUIRE CONDUIT TO ENTER ON THE RIGHT HALF OF THE BOX
  - HUBBELL - RACO 698 4 GANG JUNCTION BOXES REQUIRE 2" MINIMUM SERVICE CLEARANCE AROUND ALL SIDES OF THE BOX
  - (4) NETWORK PORTS AND (2) 20 AMP QUAD POWER RECEPTACLE AT RACK LOCATION
  - EMERGENCY POWER REQUIRED FOR EQUIPMENT RACK, TOUCH PANELS AND LEVITON BOX
  - THE CUSTOMER/CONTRACTOR IS RESPONSIBLE FOR CUTTING A 4" "MOUSE HOLE" CUTOOUT IN THE BOTTOM CENTER OF THE 12X12 METAL COVER PLATE OF THE A1 JUNCTION BOX
  - A 24" X 24" HINGED ACCESS PANEL IS REQUIRED AT ALL MOUNTS. COORDINATE LOCATION & PARAMETERS OF ACCESS PANELS FOR MOUNTS AND ELECTRICAL BOXES WITH STERIS REPRESENTATIVE

STERIS drawings do not supersede the drawings from the architect of record.



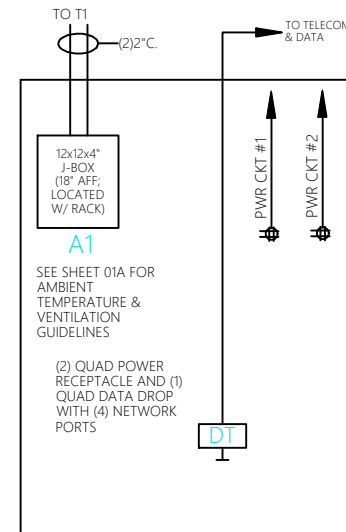
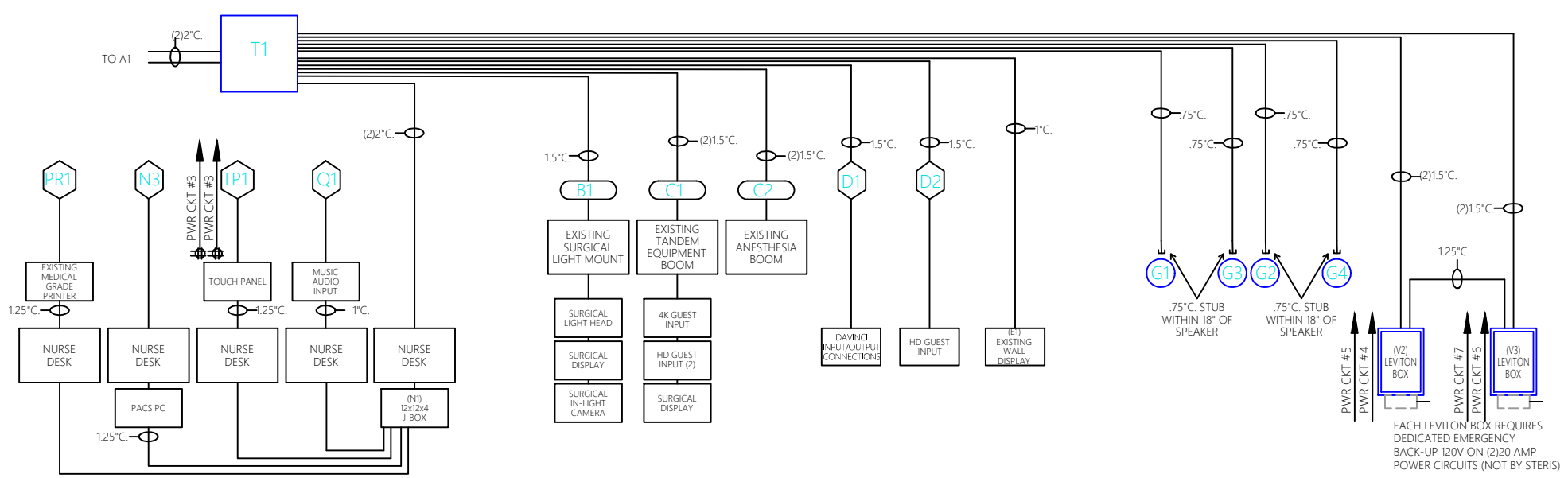
HEXAVUE INTEGRATION SYSTEM  
 PROPOSED OPERATING ROOMS 1, 2, 4, & 5  
 CONDUIT RISER DIAGRAM

PARK CITY HOSPITAL  
 PARK CITY, UTAH

8858D6R1-INT

DR	JTP	CK	DATE	28AUG2023
SCALE	NTS		PAGE	03

STERIS drawings do not supersede the drawings from the architect of record.



STERIS IS NOT RESPONSIBLE FOR SPEC-ING POWER OR DATA REQUIREMENTS OF NON-STERIS PROVIDED EQUIPMENT

J-BOX #	SIZE	TYPE	MOUNTING
A1	12\"H X 12\"W X 4\"D	PULL BOX	IN WALL
N1	12\"H X 12\"W X 4\"D	PULL BOX	IN WALL
T1	24\"H X 24\"W X 8\"D	NEMA 1, SCREW COVER	ABOVE CEILING

**JUNCTION BOX SCHEDULE NOTES**

1. ALL BOXES ARE PROVIDED BY THE CLIENTS CONTRACTOR UNLESS NOTED OTHERWISE
2. MOUNTING REQUIREMENTS SHOWN ARE THE DEFAULT REQUIREMENTS UNLESS OTHERWISE NOTED/DETAILED
3. ALL BOXES AND COVER PLATES ARE PROVIDED BY THE CLIENTS CONTRACTOR UNLESS NOTED OTHERWISE
4. MOUNTING REQUIREMENTS SHOWN ARE THE DEFAULT REQUIREMENTS UNLESS OTHERWISE NOTED/DETAILED
5. BOXES/OUTLETS/RECEPTACLES LOCATED ABOVE THE CEILING MUST BE WITHIN 18\" OF THE CEILING AND BE ACCESSIBLE FROM THE SPACE BELOW; CLIENT/G.C. TO PROVIDE SUITABLE CEILING ACCESS PANELS AT DEVICE LOCATIONS
6. T1 JUNCTION BOX - 24\" x 24\" x 8\" (MOUNTED VERTICALLY; NOT BY STERIS); 24\" X 24\" CEILING ACCESS PANEL REQUIRED FOR SERVICE ACCESS; ALL CONDUIT TO ENTER T1 BOX ANYWHERE EXCEPT FOR THE BACK SIDE; T1 BOX SHOULD NOT BE HIGHER THAN 12' ABOVE FINISHED FLOOR

**\*NOT TO BE LOCATED DIRECTLY ABOVE NURSE DESKS OR ANY OTHER FIXED EQUIPMENT\***

**CONDUIT NOTES**

1. IF A DIRECT CONNECTION IS NEEDED BETWEEN TWO PIECES OF EQUIPMENT, CONDUIT MUST BE RUN
2. EXACT CONDUIT PATH DETERMINED BY ELECTRICAL CONTRACTOR
3. CONDUIT SHOULD NOT EXCEED 50'; SWEEP ELBOWS ARE REQUIRED IF CONDUIT EXCEEDS 100'
4. MUST BE A PULL BOX FOR EVERY 270° OF CONDUIT BEND
5. ALL CONDUITS SHOULD BE PROVIDED WITH PULL STRINGS AND MUST HAVE INSULATED BUSHINGS ON ALL OPEN ENDS
6. USE OF FLEXIBLE CONDUIT IS NOT ACCEPTABLE
7. STERIS WILL NOT BE RESPONSIBLE FOR FIRE STOPPING IN ANY FORM

RISER LEGEND		
SYMBOL	DESCRIPTION	MOUNTING/COMMENT
AP	CEILING ACCESS PANEL	FOR REQUIRED ACCESS TO BOXES
BT	EQUIPMENT LABEL	DENOTED CEILING MOUNT
N	CONDUIT OR CABLE RUN	JUNCTION BOX REFERENCE
—	CONDUIT STUB OUT	CONDUIT STUB OUT WITH BUSHING
⊕	CEILING SPEAKER	CEILING, FLUSH, RECEPTACLE HEIGHT
⊕	DUPLEX POWER RECEPTACLE	WALL, FLUSH, RECEPTACLE HEIGHT
⊕	QUAD POWER RECEPTACLE	WALL, FLUSH, RECEPTACLE HEIGHT
DT	DATA/TELEPHONE BOX	WALL, FLUSH, RECEPTACLE HEIGHT

ABBREVIATIONS	
A.F.F.	= ABOVE FINISHED FLOOR
B.C.P.	= BLANK COVER PLATE
C.	= CONDUIT
C.P.	= COVER PLATE
C.K.T.	= CIRCUIT
E.C.	= ELECTRICAL CONTRACTOR
N.S.E.	= NURSE STATION EQUIPMENT

INTEGRATION EQUIPMENT SCHEDULE		
LEGEND	DESCRIPTION	RESPONSIBILITY
A1	INTEGRATION RACK	STERIS
	WALL MOUNTED 12x12x4\" JUNCTION BOX REQUIRED FOR INTEGRATION RACK	ELECTRICAL CONTRACTOR
B1***	EXISTING SURGICAL LIGHT MOUNT	STERIS
C1***	EXISTING TANDEM EQUIPMENT BOOM	STERIS
C2***	EXISTING ANESTHESIA BOOM	STERIS
D1	WALL MOUNTED HUBBELL - RACO 698 4 GANG JUNCTION BOX FOR DAVINCI INPUT/OUTPUT CONNECTIONS	ELECTRICAL CONTRACTOR
D2	WALL MOUNTED HUBBELL - RACO 698 4 GANG JUNCTION BOX FOR HD GUEST INPUT	ELECTRICAL CONTRACTOR
E1	EXISTING WALL MOUNTED DISPLAY	STERIS
	WALL MOUNTED 4 11/16\" JUNCTION BOX WITH SINGLE GANG MUD RING REQUIRED FOR EXISTING WALL MOUNTED DISPLAY	ELECTRICAL CONTRACTOR
G1	CEILING MOUNTED SPEAKER	STERIS
G3	CEILING MOUNTED SPEAKER	STERIS
G2	CEILING MOUNTED SPEAKER	STERIS
G4	CEILING MOUNTED SPEAKER	STERIS
N1	WALL MOUNTED HUBBELL - RACO 698 4 GANG JUNCTION BOX FOR PACS PC INPUT	ELECTRICAL CONTRACTOR
N3	WALL MOUNTED HUBBELL - RACO 698 4 GANG JUNCTION BOX FOR PACS PC INPUT	ELECTRICAL CONTRACTOR
PR1	WALL MOUNTED 4 11/16\" JUNCTION BOX WITH SINGLE GANG MUD RING USED FOR EXISTING PRINTER	ELECTRICAL CONTRACTOR
	SONY (UP-DR80MD) DIMS: 12.5\" X 8.12\" X 16.75\" APPROX. 25.3LBS	STERIS
Q1	WALL MOUNTED 4 11/16\" JUNCTION BOX WITH SINGLE GANG MUD RING USED FOR AUDIO	ELECTRICAL CONTRACTOR
T1	24\" H X 24\" W X 8\" D JUNCTION BOX ABOVE CEILING	ELECTRICAL CONTRACTOR
TP1	TOUCH PANEL	STERIS
	WALL MOUNTED 4 11/16\" JUNCTION BOX WITH SINGLE GANG MUD RING REQUIRED FOR TOUCH PANEL	ELECTRICAL CONTRACTOR
V2	WALL MOUNTED LEVITON BOX FOR STERIS POWER DISTRIBUTION	ELECTRICAL CONTRACTOR
V3	WALL MOUNTED LEVITON BOX FOR STERIS POWER DISTRIBUTION	ELECTRICAL CONTRACTOR

- SHEET NOTES**
1. (1) QUAD POWER RECEPTACLE REQUIRED AT EACH TOUCH PANEL LOCATION; (2) QUAD POWER RECEPTACLES ARE RECOMMENDED
  2. HUBBELL - RACO 698 4 GANG JUNCTION BOXES USED FOR FIBER SOLUTIONS
  3. HUBBELL - RACO 698 4 GANG JUNCTION BOXES REQUIRE CONDUIT TO ENTER ON THE RIGHT HALF OF THE BOX
  4. HUBBELL - RACO 698 4 GANG JUNCTION BOXES REQUIRE 2\" MINIMUM SERVICE CLEARANCE AROUND ALL SIDES OF THE BOX
  5. (4) NETWORK PORTS AND (2) 20 AMP QUAD POWER RECEPTACLE AT RACK LOCATION
  6. EMERGENCY POWER REQUIRED FOR EQUIPMENT RACK, TOUCH PANELS AND LEVITON BOX
  7. THE CUSTOMER/CONTRACTOR IS RESPONSIBLE FOR CUTTING A 4\" \"MOUSE HOLE\" CUTOOUT IN THE BOTTOM CENTER OF THE 12x12 METAL COVER PLATE OF THE A1 JUNCTION BOX
  8. A 24\" X 24\" HINGED ACCESS PANEL IS REQUIRED AT ALL MOUNTS. COORDINATE LOCATION & PARAMETERS OF ACCESS PANELS FOR MOUNTS AND ELECTRICAL BOXES WITH STERIS REPRESENTATIVE

STERIS drawings do not supersede the drawings from the architect of record.



HEXAVUE INTEGRATION SYSTEM  
PROPOSED OPERATING ROOM 6  
CONDUIT RISER DIAGRAM

PARK CITY HOSPITAL  
PARK CITY, UTAH

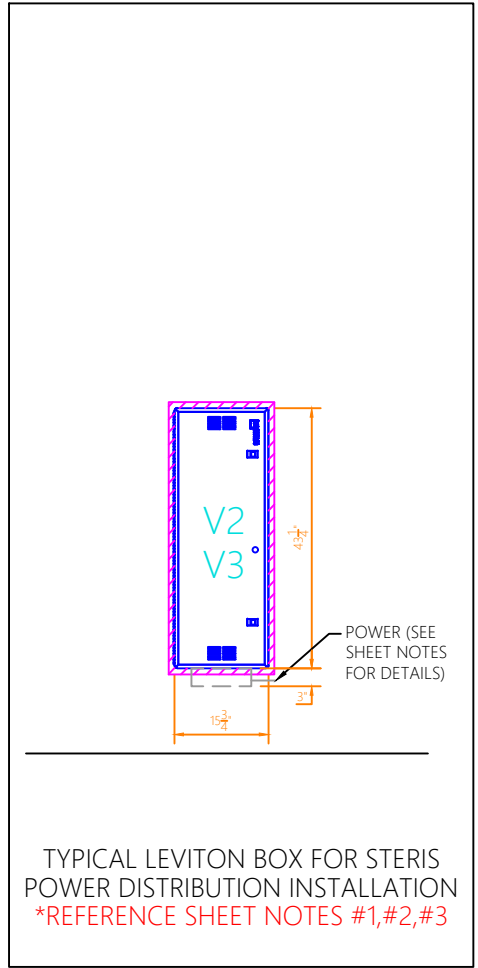
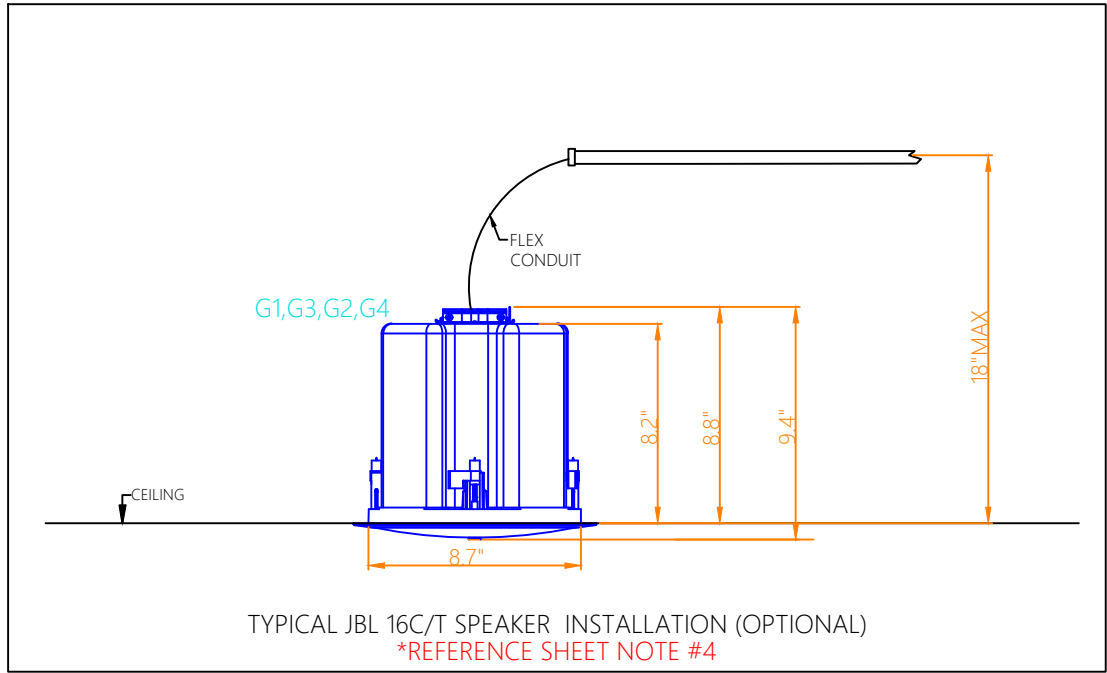
8858D6R1-INT

DR	JTP	CK	DATE	28AUG2023
SCALE	NTS		PAGE	03A

EQUIPMENT SCHEDULE		
LEGEND	DESCRIPTION	RESPONSIBILITY
G1,G3,G2,G4	CEILING SPEAKER, 8.7" DIAMETER x 8.8" HEIGHT; 7.4 LB	STERIS
V2,V3	LEVITON BOX FOR STERIS POWER DISTRIBUTION	ELECTRICAL CONTRACTOR

**SHEET NOTES**

1. EACH LEVITON BOX REQUIRES DEDICATED EMERGENCY BACK-UP 120V ON (2)20 AMP POWER CIRCUITS FROM THE O.R. IT SERVES (NOT BY STERIS)
2. LEVITON BOX (NOT BY STERIS) WITH VENTED DOOR FOR STERIS POWER DISTRIBUTION; BOX PRODUCT NUMBER: 47605-42N (REQUIRES MINIMUM 2" SERVICE CLEARANCE); DOOR (NOT BY STERIS) PRODUCT NUMBER: 47605-42S; LEVITON AC DUAL POWER MODULE (NOT BY STERIS - BOLTED TO BOTTOM OF LEVITON BOX - LOCATED INSIDE OF WALL) PRODUCT NUMBER: 47605-DP
3. LEVITON BOX REQUIRES CONDUIT TO ENTER FROM THE TOP RIGHT OF THE BOX
4. FINAL SPEAKER LOCATIONS TO BE DECIDED BY ARCHITECT/CONTRACTOR; CONTRACTOR TO STUB OUT ~ 18" ABOVE FINISHED CEILING FOR SPEAKER CONNECTION; CONTRACTOR TO PROVIDE AND INSTALL SEISMIC SUPPORT WIRE FOR SPEAKER ANCHORING TO THE BUILDING STRUCTURE; CONTRACTOR TO CUT ROUND HOLE IN CEILING AT THE SPEAKER LOCATION ACCORDING TO THE SPEAKER INSTALLATION TEMPLATE REQUIRES FLEXIBLE CONDUIT WITH CONNECTOR ON SPEAKER END (NOT BY STERIS; TYPICAL AT EACH SPEAKER LOCATION)



STERIS drawings do not supersede the drawings from the architect of record.

STERIS drawings do not supersede the drawings from the architect of record.

**STERIS**  
Healthcare Design Group  
5960 Heisley Road  
Mentor, OH 44060 USA  
800-548-4873

HEXAVUE INTEGRATION SYSTEM  
PROPOSED EQUIPMENT  
INSTALLATION DETAILS

PARK CITY HOSPITAL  
PARK CITY, UTAH

8858D6R1-INT

DR	JTP	CK	DATE	28AUG2023
SCALE			NTS	PAGE 04