

V-1400IJ (Inkjet Series)

Overview

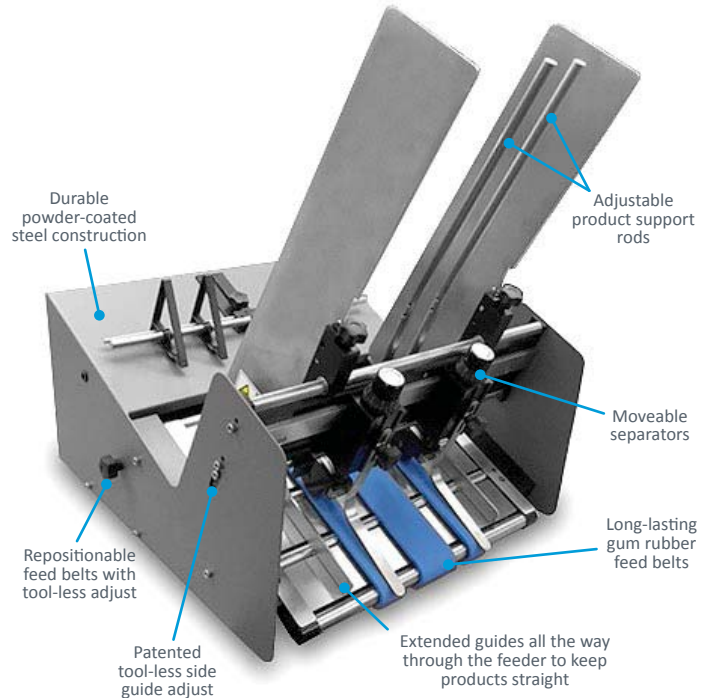
The most reliable and safest continuous IJ feeder in the market today! Capable of feeding flat and multi-thickness products into mail production streams including; inkjet and tabber systems, consistently at high speeds with exceptional alignment qualities.

The importance of straight feeding and minimizing skewing can help improve USPS® MERLIN™ verification results, leading to significant savings for you.

Feed a wide variety of flat and multi-thickness products including; manuals, cards, envelopes, flat cartons, perfect bound magazines, saddle-stitched magazines, sheet paper, and much more.

Standard Features

- Repositionable feed belts • Patented side guide hopper adjust
- Extended guides for product squaring • Two moveable separators
- Long lasting natural gum rubber feed belts • Variable speed control (local and remote) • Run enable interface • Heavy-duty construction
- Powder-coated steel frame • Adjustable product support rods



Applications (ask us about your application)

Addressing	Coding	Ink Jet Bases
Labeling	Printing	Scanning
Tabbing		

Products (ask us about your products)

Sheet Paper	Backer Board	Folded Documents
Manuals	Collapsed Cartons	Folders
Cardstock	Envelopes	Booklets
Post Cards	Brochures	and more...



Specifications	
Maximum Product Size	14 W x 18 L in (355 x 457 mm)
Minimum Product Size	2.5 W x 3.0 L in (63.5 x 76.2 mm)
Min/Max Product Thickness	.003 - 1.00in (.076 - 25.4 mm)
Belt Speed	7800 in/min (198 m/min)
Utilities	115/230vac, 50/60Hz, 3A
Weight	47 lbs. (21.32 kg)
Warranty	Two year limited
<small>Other sizes and thickness capabilities available. Contact us for your application.</small>	



AUTOMATED EQUIPMENT SERVICE, INC.

MAIL PROCESSING SYSTEMS

(845) 452-2100 (518) 459-4545

(914) 478-2100 (607) 733-2108

info@AESMailPro.com

Footprint drawing available at:
www.streamfeeder.com/footprints.html
 or scan the QR Code

