



RESTAURANT EQUIPMENT HAWAII



CABINET CONSTRUCTION

STURDY AND CORROSION-RESISTANT DESIGN FEATURES BOTH A 430 TYPE STAINLESS STEEL EXTERIOR AND INTERIOR.

FOAMED-IN-PLACE CFC- AND HCFC-FREE POLYURETHANE INSULATION ENHANCES THE STRUCTURAL INTEGRITY OF THE CABINET AND PROMOTES ENERGY EFFICIENCY.

13/4" THICK STAINLESS STEEL TOP SURFACE FEATURES RAISED MARINE EDGES TO HELP CONTAIN SPILLS AND LEAKS. ACCOMMODATES UP TO 730 LB. OF WEIGHT.

REFRIGERATION SYSTEM

ENVIRONMENTALLY SAFE R290 REFRIGERANT. REAR-MOUNTED CONDENSING UNIT POSITIONED FOR EASY MAINTENANCE.

DRAWERS

2 REFRIGERATED DRAWERS CAN EACH ACCOMMODATE 3 FULL SIZE, 4" DEEP FOOD PANS.

MODEL FEATURES

DIGITAL TEMPERATURE CONTROLLER MAKES OPERATION SIMPLE. AUTO DEFROST FEATURE FOR INTUITIVE CLEANING AND MAINTENANCE.

OUTFITTED WITH (4) 4" CASTERS FOR MOBILITY PRIOR TO CLEANING AND SERVICING TASKS.

- CHEF BASE

A PRACTICAL STORAGE AND PRODUCTIVITY SOLUTION FOR BUSY KITCHENS.

SPECIAL FEATURES

- 13/4" THICK STAINLESS STEEL TOP WITH MARINE EDGES TO CONTAIN SPILLS
- TOP ACCOMMODATES UP TO 730 LB. OF WEIGHT
- 2 REFRIGERATED DRAWERS FOR FOOD STORAGE
- DIGITAL TEMPERATURE CONTROLS HOLD AT 33-40°F
- TEMPERATURE DISPLAY FOR EASY MONITORING
- FOAMED-IN-PLACE POLYURETHANE INSULATION
- ENVIRONMENTALLY-FRIENDLY R290 REFRIGERANT
- 430 TYPE STAINLESS STEEL INTERIOR AND EXTERIOR
- AUTO DEFROST FEATURE
- 1/6 HP COMPRESSOR



PARTS & LABOR



COMPRESSOR

WARRANTY
RESIDENTIAL: REH ASSUMES NO LIABILITY FOR PARTS OR LABOR COVERAGE FOR COMPONENT FAILURE, FACTORY DEFECT OR ANY OTHER DAMAGES FOR UNITS INSTALLED IN NON-COMMERCIAL FOODSERVICE OR RESIDENTIAL APPLICATIONS.



RESTAURANT EQUIPMENT HAWAII

QUALITY COMMERCIAL EQUIPMENT FOR
RESTAURANTS & BARS

VISIT OUR ONLINE STORE FOR PRICING & INFORMATION ON
EQUIPMENT, FOOD TRUCKS & OUR COMMISARY KITCHEN

808-845-5052

TECHNICAL DATA

DIMENSIONS

EXTERIOR DIMENSIONS	51 ⁷ / ₈ "W x 32 ¹ / ₈ "D x 25 ⁷ / ₈ "H
INTERIOR DIMENSIONS	40 ¹ / ₈ "W x 27 ¹ / ₂ "D x 16 ¹ / ₂ "H
NUMBER OF DRAWERS	2
4" DEEP PAN CAPACITY	(3) FULL
NET VOLUME	10.5 CU. FT.
PACKAGING DIMENSIONS	54 ¹ / ₂ "W x 35"D x 28 ¹ / ₂ "H

COOLING

TEMPERATURE RANGE	33°F-40°F
REFRIGERANT	R290
MAX. AMBIENT TEMPERATURE	100°F
DEFROSTING	AUTOMATIC
TEMPERATURE CONTROLLER	DIGITAL
HORSEPOWER	1/6

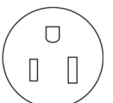
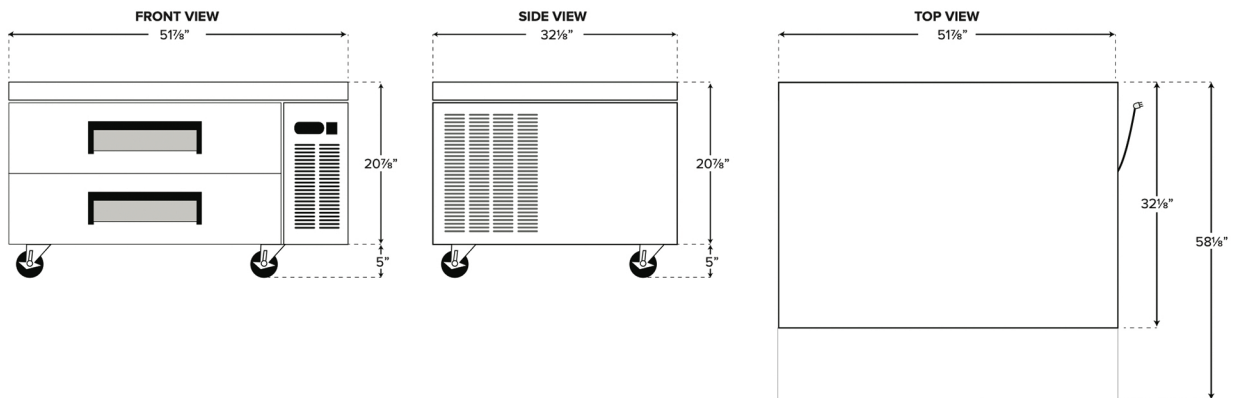
CONSTRUCTION

EXTERIOR MATERIAL	430 STAINLESS STEEL
TOP MATERIAL	430 STAINLESS STEEL
INSULATION MATERIAL	FOAMED-IN-PLACE POLYURETHANE
TOP EDGE	MARINE
WEIGHT CAPACITY	730 LB.
TOP THICKNESS	1 ³ / ₄ "

ELECTRICAL

VOLTAGE	115
AMPS	3.5
HZ	60
PHASE	1
PLUG TYPE	NEMA 5-15P
ELECTRICAL CORD LENGTH	84"

PLAN VIEW



NEMA 5-15P