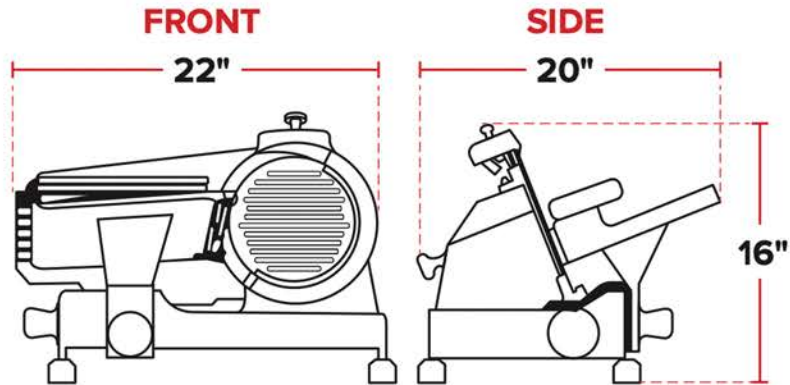




RESTAURANT EQUIPMENT HAWAII



THIS SLICER IS SMALL AND COMPACT SO THAT YOU CAN FIT IT INTO YOUR SMALL BUSINESS MORE EASILY! THE PERFECT SIZE TO PLACE ON A COUNTER IN YOUR COFFEE SHOP OR SMALL RESTAURANT, THIS SLICER CAN ALSO BE MOVED FOR MORE THOROUGH CLEANING.



FEATURES

- RAZOR SHARP 12" STAINLESS STEEL BLADE CUTS SLICES UP TO 1/2" THICK
- EASY TO USE BUILT-IN SHARPENER ENSURES YOUR BLADE STAYS LIKE NEW
- ADJUSTABLE THICKNESS KNOB ALLOWS FOR PRECISE SLICING DOWN TO 1/16"
- HIGH QUALITY ALUMINUM CONSTRUCTION WITH A 11" X 11" PRODUCT TRAY
- MANUAL FEED CARRIAGE GLIDES SMOOTHLY FOR



WARRANTY
RESIDENTIAL: REH
ASSUMES NO LIABILITY FOR PARTS
OR LABOR COVERAGE FOR
COMPONENT FAILURE, FACTORY
DEFECT OR ANY OTHER DAMAGES
FOR UNITS INSTALLED IN
NON-COMMERCIAL FOODSERVICE OR
RESIDENTIAL APPLICATIONS.



PARTS & LABOR