



# RESTAURANT EQUIPMENT HAWAII



## CABINET CONSTRUCTION

FEATURES 430 TYPE STAINLESS STEEL EXTERIOR AND PAINTED ALUMINUM INTERIOR. OVERALL WORKING HEIGHT IS 35 1/4".

FOAMED-IN-PLACE CFC- AND HCFC-FREE POLYURETHANE INSULATION ENHANCES THE STRUCTURAL INTEGRITY OF THE CABINET.

INSULATED LID HELPS MAINTAIN SAFE PRODUCT TEMPERATURES.

FULL-LENGTH, 11 1/2" DEEP CUTTING BOARD FOR EASY PREP WORK.

DOORS FEATURE EASY-TO-USE, RECESSED HANDLE FOR QUICK INTERIOR ACCESS. DOORS STAY OPEN PAST 90° FOR EASY LOADING, BUT WILL SELF-CLOSE UNDER 90° TO SAVE ENERGY.

## REFRIGERATION SYSTEM

ENVIRONMENTALLY SAFE R290 REFRIGERANT. REAR-MOUNTED CONDENSING UNIT POSITIONED FOR EASY MAINTENANCE.

## SHELVING

2 EPOXY-COATED WIRE SHELVES ACCOMMODATE UP TO 90 LB. EACH.

## MODEL FEATURES

PREPROGRAMMED DIGITAL CONTROLLER FEATURES AUTO-DEFROST FUNCTION.

TOP PAN RAIL HOLDS UP TO (12) 1/6 SIZE, 6" DEEP FOOD PANS.

PAN RAIL IS AIR COOLED FROM THE BOTTOM.

## SPECIAL FEATURES

- ECO-FRIENDLY R290 HYDROCARBON REFRIGERANT
- SLEEK, STAINLESS STEEL EXTERIOR
- PAINTED ALUMINUM INTERIOR MAINTAINS TEMPERATURES FROM 33-40°F
- TOP HOLDS UP TO (12) 1/6 SIZE, 6" DEEP FOOD PANS (SOLD SEPARATELY)
- FULL LENGTH, 11 1/2" DEEP CUTTING BOARD
- INSULATED LID HELPS MAINTAIN SAFE PRODUCT TEMPERATURES
- DOUBLE SELF-CLOSING SWING DOORS WITH RECESSED HANDLES
- 115V, 1/4 HP



WARRANTY  
RESIDENTIAL: REH ASSUMES NO LIABILITY FOR PARTS OR LABOR COVERAGE FOR COMPONENT FAILURE, FACTORY DEFECT OR ANY OTHER DAMAGES FOR UNITS INSTALLED IN NON-COMMERCIAL FOODSERVICE OR RESIDENTIAL APPLICATIONS.



PARTS & LABOR



COMPRESSOR



# RESTAURANT EQUIPMENT HAWAII

QUALITY COMMERCIAL EQUIPMENT FOR  
RESTAURANTS & BARS

VISIT OUR ONLINE STORE FOR PRICING & INFORMATION ON  
EQUIPMENT, FOOD TRUCKS & OUR COMMISARY KITCHEN

808-845-5052

## TECHNICAL DATA

### DIMENSIONS

EXTERIOR DIMENSIONS	46 7/8" W x 31" D x 42 3/8" H
INTERIOR DIMENSIONS	42 7/8" W x 23 3/4" D x 23 1/2" H
WORKING HEIGHT	35 1/4"
OVERALL HEIGHT (LID OPEN)	47 1/4"
NET WEIGHT	207 LB.
PACKAGING DIMENSIONS	51" W x 33 3/4" D x 45 1/2" H

### COOLING

TEMPERATURE RANGE	33°F - 40°F
REFRIGERANT	R290
MAX. AMBIENT TEMPERATURE	90°F
DEFROSTING	AUTOMATIC
TEMPERATURE CONTROLLER	DIGITAL
HORSEPOWER	1/4

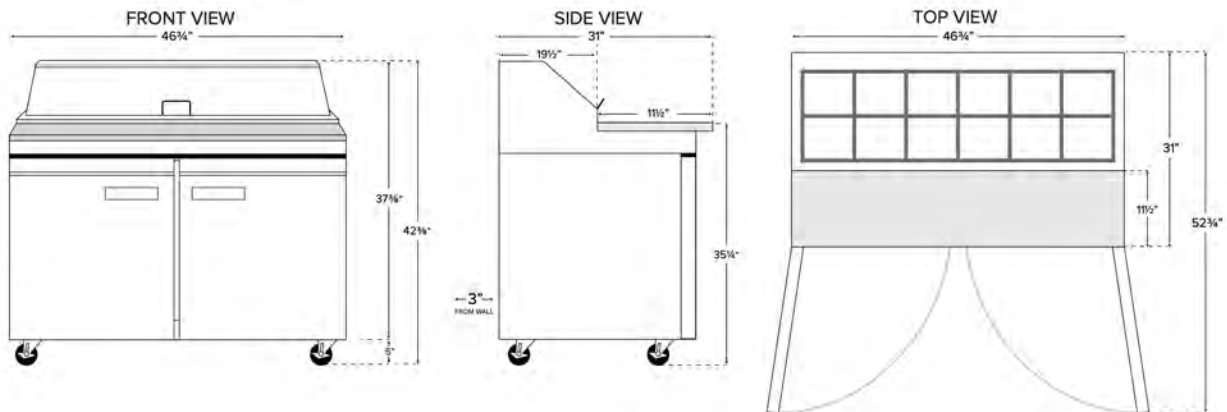
### CONSTRUCTION

EXTERIOR MATERIAL	#30 STAINLESS STEEL
INTERIOR MATERIAL	PAINTED ALUMINUM
INSULATION MATERIAL	FOAMED-IN-PLACE POLYURETHANE
SHELVES	(2) 20 3/4" W x 17 1/16" D
SHELF MATERIAL	EPOXY-COATED STEEL
SHELF LOAD CAPACITY	90 LB.

### ELECTRICAL

VOLTAGE	115
AMPS	7.8
Hz	60
PHASE	1
PLUG TYPE	NEMA 5-15P
ELECTRICAL CORD LENGTH	84"

## PLAN VIEW



NEMA 5-15P