



# RESTAURANT EQUIPMENT HAWAII



## CABINET CONSTRUCTION

HEAVY DUTY CONSTRUCTION INCLUDES 430 TYPE STAINLESS STEEL EXTERIOR WITH A 304 TYPE STAINLESS STEEL INTERIOR AND AN OVERALL 35 1/4" WORKING HEIGHT.

FOAMED-IN-PLACE CFC- AND HCFC-FREE POLYURETHANE INSULATION ENHANCES THE STRUCTURAL STRENGTH OF THE CABINET AND HELPS INCREASE ENERGY EFFICIENCY. INSULATED LID HELPS MAINTAIN SAFE PRODUCT TEMPERATURES.

FULL LENGTH, 8" DEEP CUTTING BOARD FOR EASY PREP WORK. 2 DOORS FEATURE EASY-TO-USE RECESSED HANDLES FOR QUICK INTERIOR ACCESS. DOOR STAYS OPEN PAST 90° FOR EASY LOADING, BUT WILL SELF-CLOSE UNDER 90° TO SAVE ENERGY.

## REFRIGERATION SYSTEM

ENVIRONMENTALLY SAFE R290 REFRIGERANT. REAR-MOUNTED CONDENSING UNIT POSITIONED FOR EASY MAINTENANCE.

## SHELVING

2 EPOXY-COATED WIRE SHELVES ACCOMMODATE UP TO 90 LB. EACH.

## MODEL FEATURES

PREPROGRAMMED DIGITAL CONTROLLER FEATURES AUTO-DEFROST FUNCTION.

TOP PAN RAIL HOLDS UP TO (18) 1/6 SIZE, 6" DEEP FOOD PANS.

PAN RAIL IS AIR COOLED FROM THE BOTTOM.

## SPECIAL FEATURES

- ECO-FRIENDLY R290 HYDROCARBON REFRIGERANT
- TOP HOLDS UP TO (18) 1/6 SIZE, 6" DEEP FOOD PANS (SOLD SEPARATELY)
- FULL LENGTH, 3/4" THICK, 8" DEEP CUTTING BOARD FOR EASY PREP WORK
- INSULATED LID HELPS MAINTAIN SAFE PRODUCT TEMPERATURES
- DOUBLE SELF-CLOSING SWING DOORS WITH RECESSED HANDLES
- 2 EPOXY COATED WIRE SHELVES
- 430 TYPE STAINLESS STEEL EXTERIOR AND 304 TYPE STAINLESS STEEL INTERIOR
- DIGITAL TEMPERATURE CONTROLS HOLD AT 33-40° F
- 115V, 1/4 HP
- PAN RAIL IS AIR COOLED FROM THE BOTTOM



WARRANTY  
RESIDENTIAL: REH ASSUMES NO LIABILITY FOR PARTS OR LABOR COVERAGE FOR COMPONENT FAILURE, FACTORY DEFECT OR ANY OTHER DAMAGES FOR UNITS INSTALLED IN NON-COMMERCIAL FOODSERVICE OR RESIDENTIAL APPLICATIONS.



PARTS & LABOR



COMPRESSOR



# RESTAURANT EQUIPMENT HAWAII

QUALITY COMMERCIAL EQUIPMENT FOR  
RESTAURANTS & BARS

VISIT OUR ONLINE STORE FOR PRICING & INFORMATION ON  
EQUIPMENT, FOOD TRUCKS & OUR COMMISARY KITCHEN

808-845-5052

## TECHNICAL DATA

### DIMENSIONS

EXTERIOR DIMENSIONS	46 3/4"W x 35"D x 45 7/8"H
INTERIOR DIMENSIONS	42 7/8"W x 23 3/4"D x 23 1/2"H
WORKING HEIGHT	35 1/4"
OVERALL HEIGHT (LID OPEN)	51 3/4"
NET WEIGHT	319 LB.
PACKAGING DIMENSIONS	51"W x 39 1/4"D x 49"H

### COOLING

TEMPERATURE RANGE	33°F - 40°F
REFRIGERANT	R290
MAX. AMBIENT TEMPERATURE	90°F
DEFROSTING	AUTOMATIC
TEMPERATURE CONTROLLER	DIGITAL
HORSEPOWER	1/4

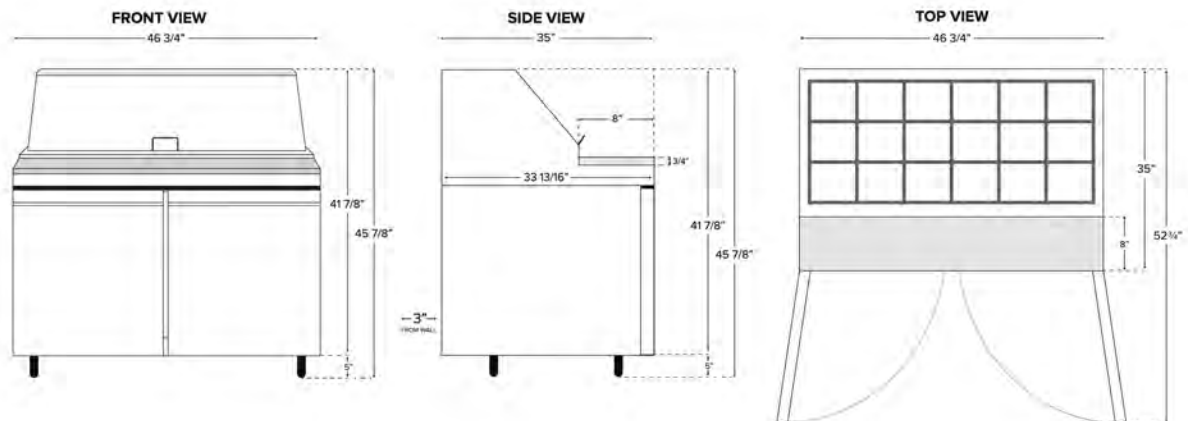
### CONSTRUCTION

EXTERIOR MATERIAL	430 STAINLESS STEEL
INTERIOR MATERIAL	PAINTED ALUMINUM
INSULATION MATERIAL	FOAMED-IN-PLACE POLYURETHANE
SHELVES	(2) 20 3/4"W x 17 1/16"D
SHELF MATERIAL	EPOXY-COATED STEEL
SHELF LOAD CAPACITY	90 LB.

### ELECTRICAL

VOLTAGE	115
AMPS	7.8
Hz	60
PHASE	1
PLUG TYPE	NEMA 5-15P
ELECTRICAL CORD LENGTH	84"

## PLAN VIEW



NEMA 5-15P