



RESTAURANT EQUIPMENT HAWAII



CABINET CONSTRUCTION

HEAVY DUTY CONSTRUCTION INCLUDES CORROSION-RESISTANT 304 STAINLESS STEEL INTERIOR AND BLACK COATED STEEL EXTERIOR.

DURABLE 1 1/2" THICK STAINLESS STEEL TOP SURFACE IS EASY TO CLEAN AFTER DISPENSING.

FOAMED-IN-PLACE CFC- AND HCFC-FREE POLYURETHANE INSULATION ENHANCES THE STRUCTURAL INTEGRITY OF THE CABINET AND HELPS INCREASE ENERGY EFFICIENCY.

SOLID, LOCKING DOOR FEATURES STAY-OPEN FEATURE BEYOND 90° FOR EASY KEG LOADING, BUT WILL SELF-CLOSE UNDER 90° TO SAVE ENERGY.

DISPENSING SYSTEM

SINGLE TAP TOWER WITH 10 1/4" FAUCET HEIGHT MAKES FILLING TALL GLASSES EASY.

INCLUDES 1 "D" COUPLER PER TAP.

REFRIGERATION SYSTEM

ENVIRONMENTALLY-SAFE R290 REFRIGERANT. BOTTOM-MOUNTED CONDENSING UNIT POSITIONED FOR EASY MAINTENANCE.

MODEL FEATURES

PREPROGRAMMED DIGITAL CONTROLS WITH AUTO DEFROST FEATURE.

BUILT-IN DRIP TRAY WITH INCLUDED DRAIN BOTTLE CATCHES DRIPS AND SLOSHES TO REDUCE THE AMOUNT OF CLEAN-UP NECESSARY

SPECIAL FEATURES

- HOLDS (1) 1/2 KEG
- 1 TAP TOWER WITH 10 1/4" FAUCET HEIGHT
- 1/6 HP COMPRESSOR USES ECO-FRIENDLY R290 HYDROCARBON REFRIGERANT
- SELF-CLOSING, LOCKING DOOR
- INCLUDES 1 "D" COUPLER PER TAP
- ATTRACTIVE BLACK COATED STEEL EXTERIOR FOR DURABILITY
- 115V



PARTS & LABOR



COMPRESSOR

WARRANTY
RESIDENTIAL: REH ASSUMES NO LIABILITY FOR PARTS OR LABOR COVERAGE FOR COMPONENT FAILURE, FACTORY DEFECT OR ANY OTHER DAMAGES FOR UNITS INSTALLED IN NON-COMMERCIAL FOODSERVICE OR RESIDENTIAL APPLICATIONS.



RESTAURANT EQUIPMENT HAWAII

QUALITY COMMERCIAL EQUIPMENT FOR
RESTAURANTS & BARS

VISIT OUR ONLINE STORE FOR PRICING & INFORMATION ON
EQUIPMENT, FOOD TRUCKS & OUR COMMISARY KITCHEN

808-845-5052

TECHNICAL DATA

DIMENSIONS

EXTERIOR DIMENSIONS	23 1/2"W x 30 3/4"D x 39 3/4"H
INTERIOR DIMENSIONS	19 1/2"W x 18 1/8"D x 28 5/8"H
TAP TOWER DIMENSIONS	16"H 3"D DIAMETER
FAUCET HEIGHT	10 1/4"
PRODUCT CAPACITY	(1) 1/2 KEG
NET VOLUME	7.8 CU. FT.

COOLING

TEMPERATURE RANGE	33°F-40°F
REFRIGERANT	R290
MAX. AMBIENT TEMPERATURE	90°F
DEFROSTING	AUTOMATIC
TEMPERATURE CONTROLLER	DIGITAL
HORSEPOWER	1/6

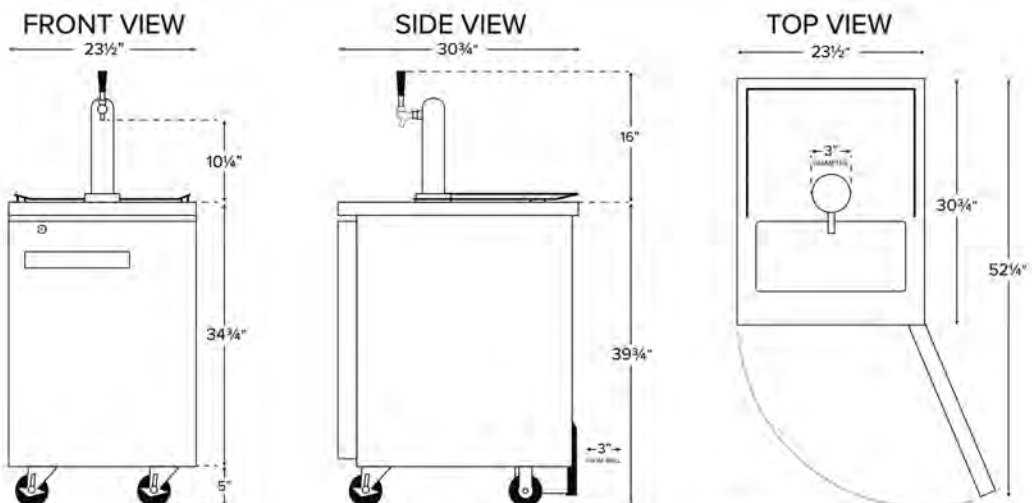
CONSTRUCTION

NET WEIGHT	132 LB.
GROSS WEIGHT	176 LB.
PACKAGING DIMENSIONS	26"W x 32 1/4"D x 45"H
EXTERIOR MATERIAL	BLACK COATED STEEL
INTERIOR MATERIAL	TYPE 304 STAINLESS STEEL
TAPS	1

ELECTRICAL

VOLTAGE	115
AMPS	1.92
HZ	60
PHASE	1
PLUG TYPE	NEMA 5-15P
ELECTRICAL CORD LENGTH	96"

PLAN VIEW



NEMA 5-15P