



# RESTAURANT EQUIPMENT HAWAII



## CABINET CONSTRUCTION

HEAVY DUTY CONSTRUCTION INCLUDES A 304 TYPE STAINLESS STEEL INTERIOR AND A 430 TYPE STAINLESS STEEL EXTERIOR, RESULTING IN STRENGTH, DURABILITY, AND AN ATTRACTIVE, SLEEK APPEARANCE. FOAMED-IN-PLACE CFC- AND HCFC-FREE POLYURETHANE INSULATION ENHANCES THE STRUCTURAL STRENGTH OF THE CABINET AND HELPS INCREASE ENERGY EFFICIENCY.

ONE-PIECE REAR GRILL IS EASILY REMOVED FOR CLEANING AND SERVICING.

DOOR FEATURES EASY-TO-USE RECESSED HANDLES FOR QUICK INTERIOR ACCESS. DOOR STAYS OPEN PAST 90° FOR EASY LOADING, BUT WILL SELF-CLOSE UNDER 90° TO SAVE ENERGY.

## REFRIGERATION SYSTEM

ENVIRONMENTALLY SAFE R290 REFRIGERANT.

REAR-MOUNTED CONDENSING UNIT POSITIONED FOR EASY MAINTENANCE.

## SHELVING

1 WHITE EPOXY-COATED STEEL SHELF INCLUDED. IT ACCOMMODATES UP TO 90 LB.

## MODEL FEATURES

COPPER EVAPORATOR COIL ELIMINATES THE POTENTIAL OF CORROSION.

INTERIOR WALL-MOUNTED THERMOMETER FOR EASY TEMPERATURE MONITORING.

PREPROGRAMMED DIGITAL CONTROLLER FEATURES AUTO-DEFROST FUNCTION.

## SSUC SERIES - UNDERCOUNTER REFRIGERATOR

INCREASE COLD FOOD PREP STORAGE IN YOUR KITCHEN

## SPECIAL FEATURES

- ECO-FRIENDLY R290 HYDROCARBON REFRIGERANT
- STRONG AND SLEEK 430 TYPE STAINLESS STEEL EXTERIOR
- 304 TYPE STAINLESS STEEL INTERIOR MAINTAINS TEMPERATURES FROM 33°F - 40°F
- ONE EPOXY-COATED STEEL SHELF ACCOMMODATES UP TO 90 LB. EACH
- FOAMED-IN-PLACE POLYURETHANE INSULATION
- EASY-TO-READ DIGITAL TEMPERATURE CONTROLLER AND AUTO-DEFROST FUNCTION
- CASTERS FOR EASY MOBILITY
- 115V; 1/6HP



WARRANTY  
RESIDENTIAL: REH ASSUMES NO LIABILITY FOR PARTS OR LABOR COVERAGE FOR COMPONENT FAILURE, FACTORY DEFECT OR ANY OTHER DAMAGES FOR UNITS INSTALLED IN NON-COMMERCIAL FOODSERVICE OR RESIDENTIAL APPLICATIONS.



PARTS & LABOR



COMPRESSOR



# RESTAURANT EQUIPMENT HAWAII

QUALITY COMMERCIAL EQUIPMENT FOR  
RESTAURANTS & BARS

VISIT OUR ONLINE STORE FOR PRICING & INFORMATION ON  
EQUIPMENT, FOOD TRUCKS & OUR COMMISARY KITCHEN

808-845-5052

## TECHNICAL DATA

### DIMENSIONS

EXTERIOR DIMENSIONS	27"W x 29 1/2"D x 35 1/4"H
INTERIOR DIMENSIONS	22 1/4"W x 22 7/8"D x 23 1/2"H
WORKING HEIGHT	35 1/4"
NET VOLUME	5.5 CU. FT.
NET WEIGHT	159 lb.
PACKAGING DIMENSIONS	29 3/4"W x 32 1/4"D x 38 1/2"H

### COOLING

TEMPERATURE RANGE	33°-40°F
REFRIGERANT	R600A
MAX. AMBIENT TEMPERATURE	100°F
DEFROSTING	AUTOMATIC
TEMPERATURE CONTROLLER	DIGITAL
HORSEPOWER	1/6

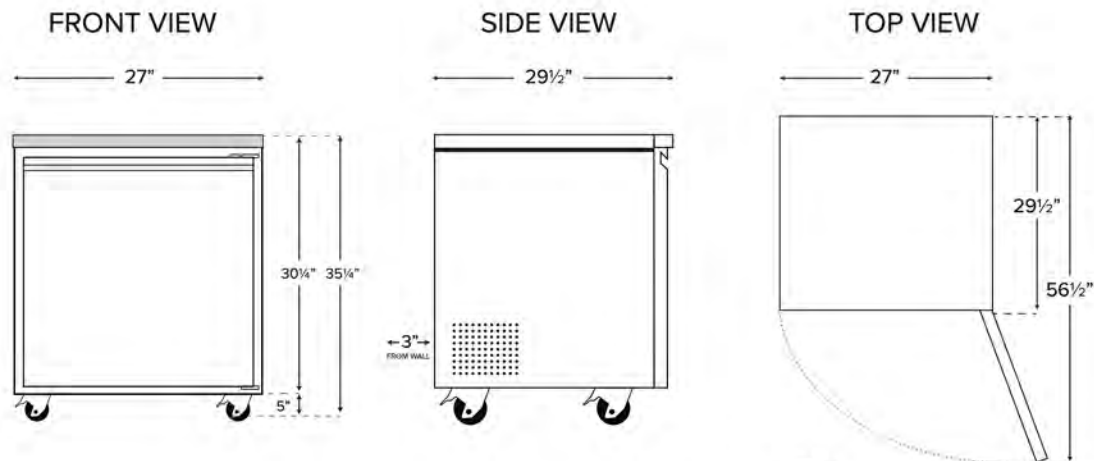
### CONSTRUCTION

EXTERIOR MATERIAL	TYPE 430 STAINLESS STEEL
INTERIOR MATERIAL	TYPE 430 STAINLESS STEEL
INSULATION MATERIAL	FOAMED-IN-PLACE POLYURETHANE
SHELF SIZE	(1) 21 7/8" x 17 3/4"
SHELF MATERIAL	EPONY-COATED STEEL
SHELF LOAD CAPACITY	90 LB.

### ELECTRICAL

VOLTAGE	115
AMPS	1.9
Hz	60
PHASE	1
PLUG TYPE	NEMA 5-15P
ELECTRICAL CORD LENGTH	84"

## PLAN VIEW



NEMA 5-15P