

EASY-LINE



Making safe EASY!



This is JUDO

Over 78 years of partnership

For over 78 years, JUDO has played a leading role in the world of water treatment with an ongoing record of new and innovative products engineered for the responsible treatment of water for all aspects of life's requirements.

Whether for use in domestic, commercial, hotel, health oriented or industrial applications, JUDO is the partner of choice for the sanitary trade, wholesalers and planning offices.

Made in Germany - with global back up

Continuity of quality is very important to us. This is why we develop and produce all our products exclusively in Germany. Our distribution network is, however, global with regional centers and distribution partners in over 50 countries... and growing!

You too can gain from our many years of product knowledge and technical know-how.



Administration/training centre
Winnenden, Germany



JUDO training center
Winnenden, Germany



Engineering/production
Backnang, Germany



JUDO BeNeLux,
Brussels



JUDO Switzerland,
Liestal



JUDO France S.à.r.L.
Straßburg, France



JUDO Austria,
Stockerau



JUDO Water Treatment Inc.
Toronto, Canada

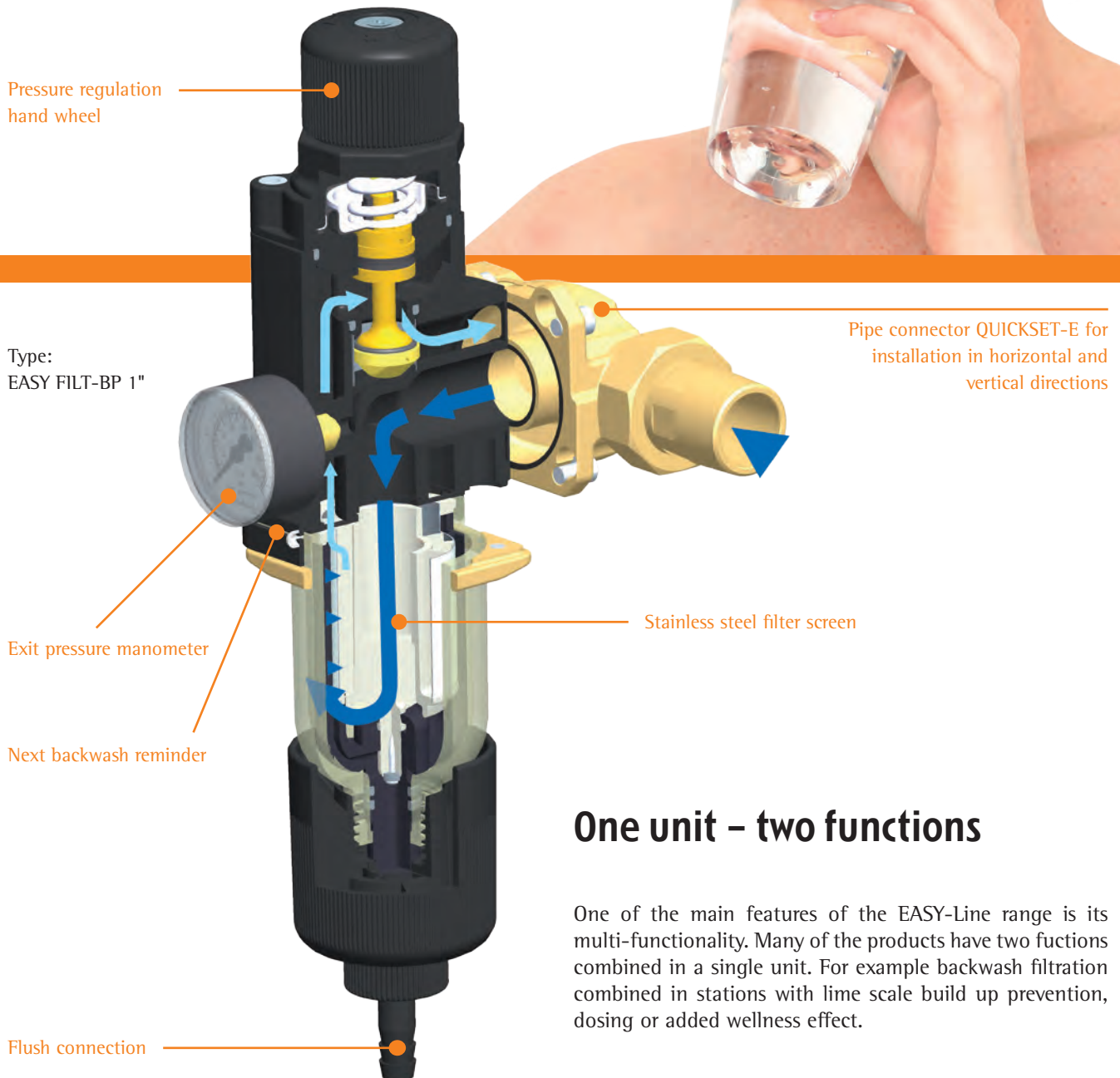
*„Innovation, quality and partnership –
the foundation on which JUDO has been
built for more than 78 years!“*

Safe, easy to use and multi-functional

JUDO EASY-Line products are the easy way to protect your installation, fittings, fixtures and appliances from the effects of dirt particles, corrosion and lime scale.

If the challenge is filtration, water softening, hardness stabilisation or the wellness factor: The JUDO EASY-Line range covers all applications with a line of products engineered with ease of installation and use in mind... and at a price that's easy to live with, too!

All EASY-Line products meet with the highest demands of European drinking water standards and are functional in operation and easy to install and operate.



One unit – two functions

One of the main features of the EASY-Line range is its multi-functionality. Many of the products have two functions combined in a single unit. For example backwash filtration combined in stations with lime scale build up prevention, dosing or added wellness effect.



Filtration

Small particles, big problems

Damage caused year for year to unprotected water pipes, fittings, fixtures and appliances can run into the thousands. The cause of these problems are often small particles of sand and dirt swept into the installation with the mains water supply.

What happens then? These particles form dangerous electro-chemical elements which cause corrosion, rust build-up and even pipe bursts. These particles can also lead to serious damage in your taps, fixtures, fittings and heating elements as well as to home appliances.

EASY FILT - entry level backwash filter systems

The 'starter set' from the inventor of the backwash filter



JUDO EASY FILT-C
water filter

- **Compact:** filter can be installed in small spaces.
- **Effective:** actual screen surface area is almost double that visible.
- **Practical:** the reminder indicator in the cover cap does not let you forget when the next cartridge change is due.

JUDO EASY FILT-B
backwash filter

- **Economical:** no cartridge change and minimal backwash water requirement.
- **Effective cleaning:** backwashing takes place using a vacuum rotation system without interrupting the incoming water supply.
- **Hygienic:** no cartridge to change means that the unit never needs opening and exposing to air.

JUDO EASY FILT-BHW
backwash filter for hot water applications

- **For hot water applications:** EASY FILT-BHW offers all the advantages of the EASY FILT-B but for use in water up to 70 °C.

JUDO EASY FILT-BP
water filtration station

- **Flexibel:** for use in horizontally or vertically running pipes.
- **Protective:** the integrated pressure regulator ensures a constant pressure level in the system.
- **Resource efficient:** pressure regulation reduces water consumption by up to 15 %.
- **Adjustable:** exit pressure can be set between 1.5 and 6 bar.

Scope of delivery & technical data

JUDO EASY FILT-C

for water up to 30 °C

Scope of delivery: Filter bell of high grade plastic, PN 16, with threaded brass housing. Filter cartridge of stainless steel. Cover cap with cartridge change reminder.

Type		EASY FILT-C	EASY FILT-C	EASY FILT-C
Connection		¾"	1"	1¼"
Nom. flow rate at 0.2 (0.5) bar pressure loss	m³/h	4.6 (7.2)	5.1 (8.1)	5.8 (8.9)
Mesh size	mm	0,1	0,1	0,1
Dimensions				
Length	mm	180	195	230
Width	mm	80	80	80
Height above pipe centre	mm	75	75	85
Depth below pipe centre	mm	145	150	155
Order no.		8080058	8080059	8080060

JUDO EASY FILT-B

for water up to 30 °C

Scope of delivery: Filter bell in high grade plastic, PN 16 with threaded brass housing. Filter screen of stainless steel, nominal mesh size 100 micron. Large hand wheel for backwashing and cleaning of viewing glass. Cover cap with backwash reminder.

Type		EASY FILT-B	EASY FILT-B	EASY FILT-B
Connection		¾"	1"	1¼"
Nom. flow rate at 0.2 (0.5) bar pressure loss	m³/h	4.1 (6.6)	4.6 (7.3)	4.9 (7.9)
Mesh size	mm	0,1	0,1	0,1
Dimensions				
Length	mm	180	195	230
Width	mm	225	225	220
Height above pipe centre	mm	75	75	75
Depth below pipe centre	mm	80	80	80
Order no.		8070646	8070647	8070648

JUDO EASY FILT-BHW

for water up to 70 °C

Scope of delivery: Filter bell of high grade plastic PN 10 with threaded brass housing. Filter screen of stainless steel with nominal meshsize 100 micron. Large hand wheel for backwashing. Cover cap with integrated backwash reminder.

Type		EASY FILT-BHW	EASY FILT-BHW	EASY FILT-BHW
Connection		¾"	1"	1¼"
Nom. flow rate at 0.2 bar pressure loss	m³/h	3.3	4.5	5.5
Mesh size	mm	0,1	0,1	0,1
Dimensions				
Length	mm	180	195	230
Width	mm	81	81	81
Height above pipe centre	mm	70	70	65
Depth below pipe centre	mm	230	230	235
Order no.		8070649	8070650	8070651

JUDO EASY FILT-BP

for water up to 30 °C

Scope of delivery: Filter bell in high grade plastic, PN 16 with threaded brass housing. Filter screen in stainless steel with nominal mesh size 100 micron, large hand wheel for backwash and cleaning of viewing glass. Integrated pressure regulator pre-set at 4 bar (exit pressure can be re-set from 1.5 to 6 bar).

Type		EASY FILT-BP	EASY FILT-BP	EASY FILT-BP
Connection		¾"	1"	1¼"
Nom. flow rate	m³/h	2.3	3.6	5.8
Mesh size	mm	0,1	0,1	0,1
Dimensions				
Length	mm	180	195	230
Width	mm	80	80	80
Height above pipe centre	mm	158	158	158
Depth below pipe centre	mm	271	271	271
Order no.		8171010	8171011	8171012

Softening

Delightfully soft water - from the developer of the world's first softening unit with full German approvals

Our drinking water supply contains calcium and magnesium, the cause of lime scale build up. These elements do not only precipitate out in your shower, but in the system as a whole including your appliances and expensive fixtures. Lime scale deposits in your pipework also provide the ideal background for bacterial colonisation. This can all result in high running costs and health problems.

The use of a water softener can prove to be an effective remedy here. The ion exchange technology used here effectively removes the causes of lime scale from the incoming water supply and replaces them with harmless sodium. Thus treated, the incoming water is delightfully soft.

Softened water offers a host of advantages including greater protection against lime scale to your sanitary system and appliances. In addition to this, household cleaning is easier and requires less cleaning agents, too.

Softened water is also good for your sense of wellbeing: Your skin feels like silk when you come out of the shower and your laundry is soft and fluffy. The water hygiene in your whole system is improved and the efficiency of heat exchangers is maintained for much longer.

Softened water saves on heating costs

Did you know that? Lime scale prevention helps save energy. "Hard water can lead to a drop in operational efficiency and raise the running costs in heating systems, in some cases up to 48 % (calculated over an average working life of 15 years) according to the WQA Batelle study "Energy saving through water softening" 2010

Water Quality Association - wqa.org

EASY SOFT -
Softened water at a price that's soft on your wallet





JUDO EASY SOFT TWICE
Parallel softening unit

- **Ongoing and reliable:** softened water around the clock.
- **Hygienic and stagnation:** stagnation-free operation. Disinfection cycle every 96 hours at the latest when out of service.
- **Short regeneration time:** complete regeneration cycle in a sensational 15 minutes.
- **Rescource efficient:** low salt consumption.



JUDO EASY SOFT 15 S
Softening unit

- **Softening:** single column, flow controlled softening unit.

Scope of delivery & technical data

JUDO EASY SOFT TWICE

for water up to 30 °C

Scope of delivery: 2 Fibre glas reinforced softening chambers PN 10, filled with high grade monospheric ion exchange resin in food quality, flow rate control heads, proven and wear-free ceramic disc technology for ongoing process programming, LED indicators for operation status display as well as manual regeneration start up button. Automatic regeneration cycle after max. 96 hours when out of operation including disinfection cycle using platin coated titanium electrodes. Separate salt and brine container with ongoing brine production.

Type	EASY SOFT TWICE	
Connection		1"
Nom. flow rate	m ³ /h	1.7
Capacity	mol	0.9
Salt consumption/regeneration	kg	0.19
Flush water/regeneration	liter	24
Salt container volume	kg	40
Dimensions		
Length	mm	195
Width	mm	390
Height above pipe centre	mm	140
Depth below pipe centre	mm	340
Order no.		8204001

JUDO EASY SOFT 15 S

for water up to 30 °C

Scope of delivery: Fibre glass reinforced softening chamber PN 10, filled with high grade monospheric ion exchange resin in food quality, timer run control unit with LED indicators for operational status and manual regeneration start up button, separate salt and brine tank.

Type	EASY SOFT 15 S	
Connection		¾"
Nom. flow rate	m ³ /h	2.0
Capacity	mol	5.3
Dimensions		
Length	mm	385
Width	mm	522
Total height	mm	560
Height salt container	mm	435
Height raw water inflow	mm	487
Height flush water exit	mm	465
Order no.		8390136



Lime scale prevention

2 in 1: backwash filter and lime scale prevention station

The EASY FILT-BAL combines water filtration and lime scale build up prevention features in a single unit. The station not only holds back dirt particles swept in with the incoming water supply but also uses magnets to stabilise the causes of lime scale deposits in solution in the water thus protecting the pipework, fittings, fixtures, heat exchangers and appliances in your home. With no need for cartridge changes or a power supply the station operates economically and maintenance-free.

JUDO EASY FILT-BAL
filtration and lime scale prevention in a single unit

- **2 in 1:** particle filter and lime scale prevention function in a single unit.
- **Filtration:** removes dirt particles from incoming water supply.
- **Lime scale protection:** lime scale is stabilised by 6 magnets as water flows through the unit thus preventing it precipitating. No additives required.
- **Economical:** unit operates maintenance-free. No cartridge change required.
- **Flexible:** can be installed in both vertically and horizontally running pipes.



Scope of delivery & technical data

JUDO EASY FILT-BAL
for water up to 30 °C

Scope of delivery: Backwash filter with lime scale prevention unit consisting of: Filter bell of high grade plastic PN 16, with threaded brass housing, stainless steel screen, nominal mesh size 100 micron, large hand wheel for backwash and cleaning of viewing glass with integrated, magnetic lime scale prevention unit.

Type		EASY FILT-BAL	EASY FILT-BAL	EASY FILT-BAL
Connection		3/4"	1"	1 1/4"
Nom. flow rate at 0.5 bar pressure loss	m ³ /h	2.0	2.7	3.0
Mesh size	mm	0.1	0.1	0.1
Dimensions				
Length	mm	180	195	230
Width	mm	78	78	78
Height above pipe centre	mm	187	187	187
Depth below pipe centre	mm	236	236	236
Order no.		8215010	8215011	8215012

Phosphate dosing unit EASY DOS

The EASY DOS doses small amounts of polyphosphates into the incoming water supply to stabilise the hardness levels in the water and protect your pipes and fittings from lime scale build up.



JUDO EASY DOS
polyphosphate dosing unit

- **Hardness stabilisation:** polyphosphate dosing helps prevent lime scale build up.
- **Compact:** space saving, pleasing design.

2 in 1: backwash water filter with polyphosphate dosing unit

The EASY FILT-DOS station combines particle filtration and polyphosphate dosing in a single unit thus offering not only protection against lime scale build up, but also removing elements which can cause pitting.



JUDO EASY FILT-DOS
water filter and
polyphosphate dosing unit

- **2 in 1:** EASY FILT-DOS offers all the advantages of additional particle filtration.
- **Economical:** no filter cartridge change required.

Scope of delivery & technical data

JUDO EASY DOS for water up to 30 °C

Scope of delivery: Polyphosphate dosing unit consisting of bayonet connection unit, integrated flush valve and polyphosphate dosing cartridge.

Type		EASY DOS	EASY DOS	EASY DOS
Connection		¾"	1"	1¼"
Nom. flow rate at 0.5 bar pressure loss	m³/h	2.0	2.7	3.0
Dimensions				
Length	mm	90	90	110
Width	mm	81	81	81
Height above pipe centre	mm	196	196	196
Depth below pipe centre	mm	20	20	20
Order no.		8215026	8215027	8215028

Replacement polyphosphate cartridge	Order no.	8215019
-------------------------------------	-----------	---------

JUDO EASY FILT-DOS for water up to 30 °C

Scope of delivery: Backwash water filter with integrated polyphosphate dosing unit consisting of: high grade plastic filter bell PN 16 with threaded brass connector, stainless steel filter screen, nominal mesh size 100 micron, large hand wheel for backwash and cleaning of viewing glass, polyphosphate dosing cartridge.

Type		EASY FILT-DOS	EASY FILT-DOS	EASY FILT-DOS
Connection		¾"	1"	1¼"
Nom. flow rate at 0.5 bar pressure loss	m³/h	2.0	2.7	3.0
Mesh size	mm	0.1	0.1	0.1
Dimensions				
Length	mm	90	90	110
Width	mm	78	78	78
Height above pipe centre	mm	206	206	206
Depth below pipe centre	mm	236	236	236
Order no.		8215013	8215014	8215015

Replacement polyphosphate cartridge	Order no.	8215019
-------------------------------------	-----------	---------

Making safe EASY

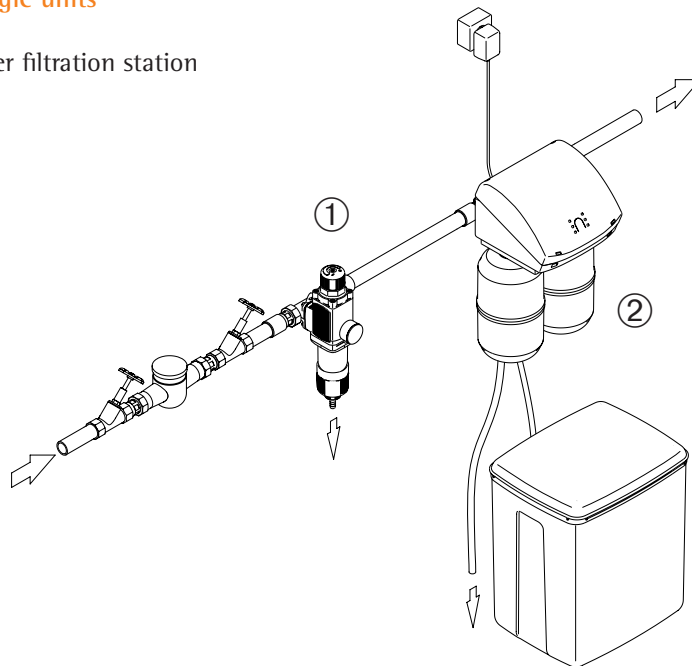
Ease of operation and efficiency of performance were the main ideas behind the development of this product range, all superfluous features were omitted and the stress was firmly placed on maintenance-free performance with a long working life. The result? A range of quality products at great value for money.

Even operating these units is 'easy'. Thanks to the JUDO QUICKSET-E connector. JUDO EASY-Line products are installed in no time at all and that hygienically sound. Operating the units is child's play.

Whether you need protection against dirt inflow, lime scale build up or corrosion, with EASY-Line making your home a safer place really is easy!

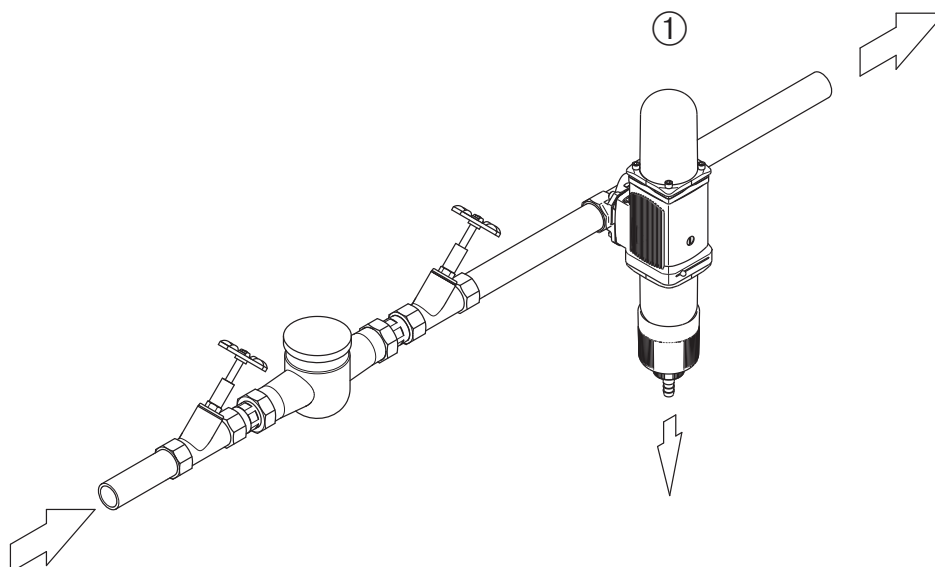
Standard Installation with single units

- ① JUDO EASY FILT-BP water filtration station
- ② JUDO EASY SOFT TWICE Parallel softening unit

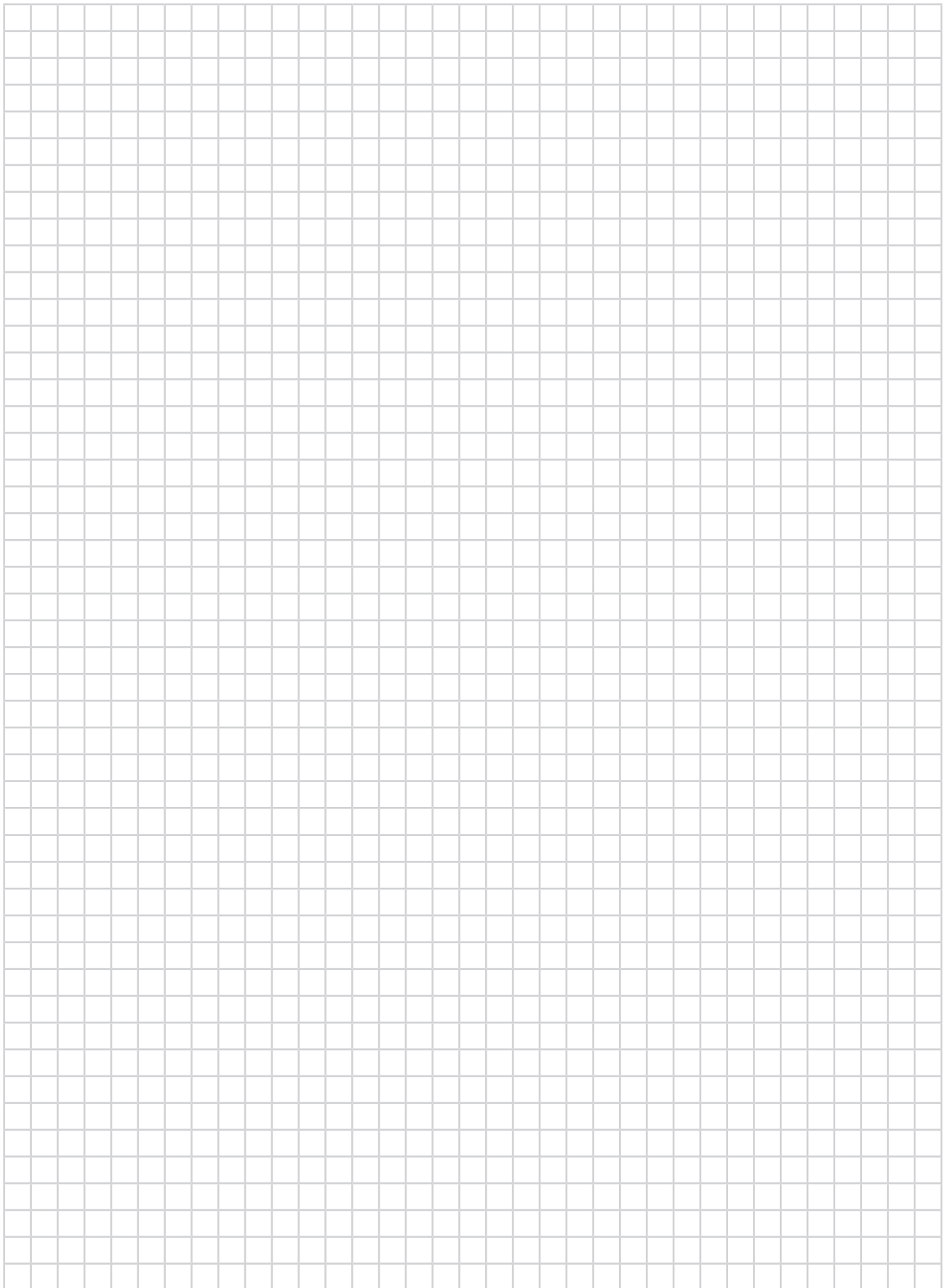


Installation with EASY-Line 2 in 1 units

- ① JUDO EASY FILT-BAL – filtration and lime scale prevention in a single unit



notes



JUDO WATER TREATMENT

At home the world over



Drinking water filtration using JPF-ATP DN 200
City of Dreams Casino Resort Macao, China



Hospital softening unit
Luzern, Switzerland



Drinking water filtration using JPF-ATP DN 100 and DN 150
Olympic village Sydney, Australia



Pure water system for
medical technology



De-ironisation system for well water supply
Dairy Berlin, Germany



Reverse osmosis unit in cooling system
for data processing centre



JUDO Wasseraufbereitung GmbH
Postfach 380 · D-71351 Winnenden
Tel. 07195 692-0
Fax 07195 692-110
E-Mail: info@judo.eu



judo.eu



We reserve the right to make technical changes/Errors excapted.
1931240 · 011407 · JD · KO