

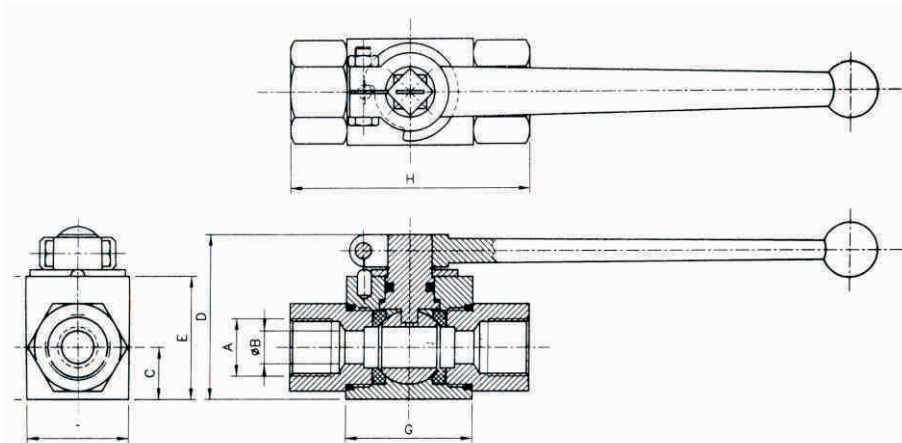
FLUTEC VALVES

"FLUTEC" 2-Way High Pressure Ball Valve (Model Code - KHB G - 1/8" to 3")

Description :

Flutec 2-way High pressure Ball Valves are of a compact construction.

- Working temperature depending upon sealing material - 20°C to + 250°C.
- Easy handling even at high pressure (switching through 900).
- Working pressure upto 500/1000bar.
- Individual pressure testing ensures safety.
- If the ball valve are to be used for gas, oxygen or any other special application, please give full details when ordering with temparture and pressure.
- Block housing in carbon steel phosphate plated. Other metallic finish on request.
- Are also manufactured in stainless steel & Brass material.
- Are supplied with red powder coated straight aluminium / steel handles.



MODEL CODE	A	B	C	D	E	F	G	H
KHB G 1/4"	G 1/4"	6	16.0	55.0	38.0	32	41.0	69
KHB G 3/8"	G 3/8"	10	16.0	55.0	38.0	32	41.0	69
KHB G 1/2"	G 1/2"	13	19.0	62.5	44.5	38	46.0	83
KHB G 3/4"	G 3/4"	16	19.0	62.5	44.5	38	46.0	83
KHB G 1"	G 1"	20	24.0	74.5	57.0	48	58.5	108
KHB G1-1/4"	G1-1/4"	25	28.5	82.5	64.0	57	63.5	120
KHB G1-1/2"	G1-1/2"	30	37.5	101.0	85.0	75	83.0	130
KHB G 2"	G -2"	38	-	-	87	80	85	-
KHB G2-1/2"	G2-1/2"	50	-	-	109	98	95	-
KHB G 3"	G -3"	63	-	160	134.5	115	116	185

FLUTEC VALVES

12, Sardar bachan singh industrial estate,
Sonawala main road, Opp. Indian bank,
Goregaon-East, Mumbai-400063, India.

Cell.: +91 9821043687
+91 9769443687

Email :- sales@flutecvalves.com
flutec1@hotmail.com

Website :- www.flutecvalves.in
www.flutecvalves.com