

Ball valves KHB / KHM

Model code
(also order example)

KHB G 1/2 1112 01 X .

Designation

KHB = Block-type ball valve DN 04-50
KHM = Sleeve-type ball valve DN 32-50

Type of connection

Thread size or
Outside diameter of pipe
and type of connection

Materials

Housing, connection adapters and control spindle

1 = Steel
3 = Stainless steel

Ball

1 = Steel
3 = Stainless steel

Ball seals

1 = POM
3 = PTFE
8 = Peek

Control spindle seal and connection seal

2 = NBR (Perbunan)
3 = PTFE
4 = FKM (Viton)

Handle

01 = Aluminium clamped handle, straight (AG) DN 12 - 50
02 = Aluminium clamped handle, cranked (AK) DN 12 - 50
03 = Zinc die-cast clamped handle, straight (ZG) DN 04 - 10, 13
04 = Zinc die-cast bolt-on handle, cranked (ZK) DN 04 - 10, 13
06 = Steel bolt-on handle, cranked (SK) DN 12 - 50
09 = Without handle

Series

(determined by manufacturer)

Surface protection

... = phosphate-plated (no details required)
A = zinc-plated, chrome (VI)-free

Delivery for non-standard valves is longer and the price is higher.

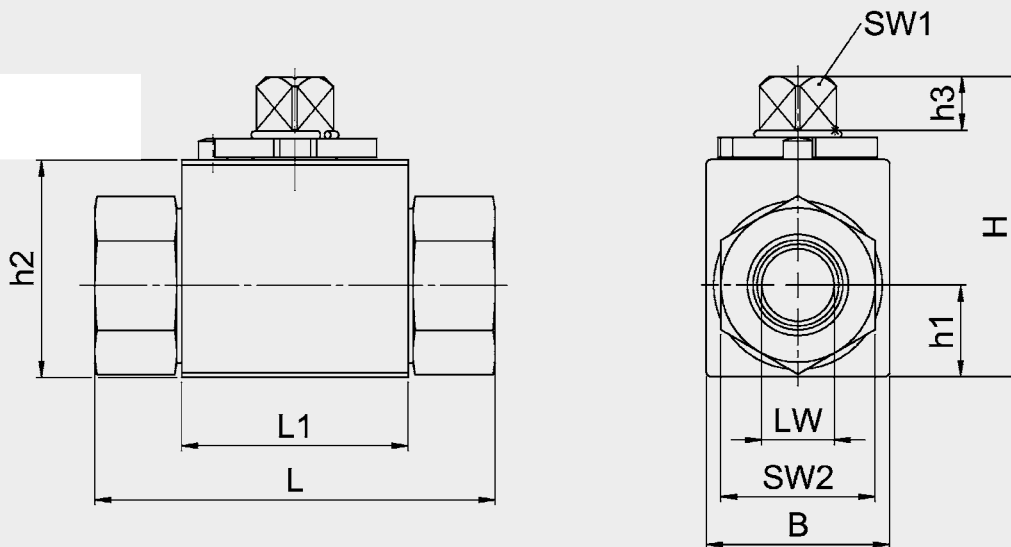
FLUTEC VALVES

Technical specifications

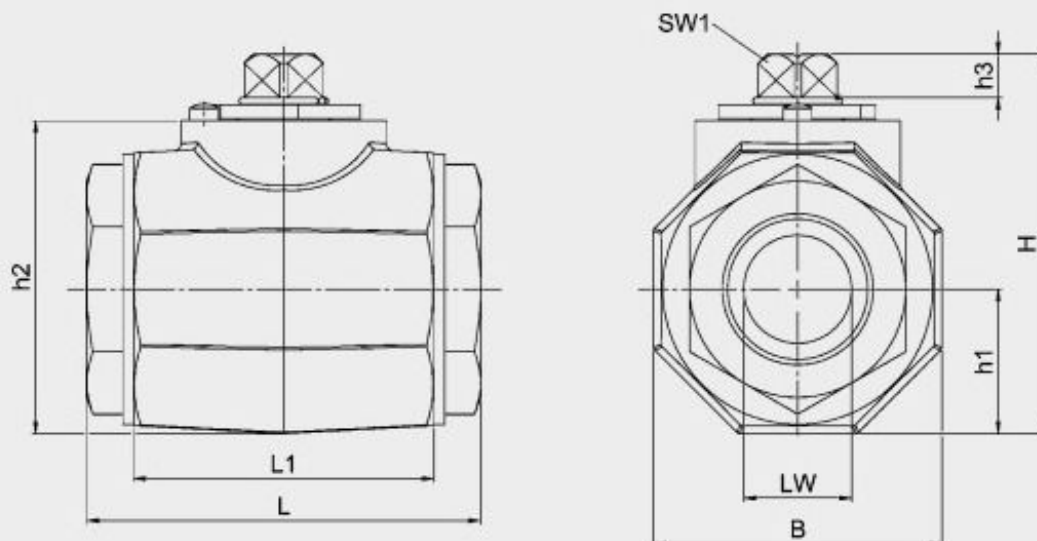
Construction:	Block-type KHB DN 04- 50 Sleeve-type KHM DN 32- 50
Types of connection:	Light and heavy threaded pipe connection to DIN 2353 Whitworth female thread to ISO 228 NPT SAE
Mounting position:	Optional
Ambient temperature:	-10 °C to +80 °C
Nominal pressure:	up to PN 500 bar
Operating fluids:	Mineral oil to DIN 51524 Part 1 and Part 2 (other fluids on request)
Temperature of operating fluid:	-10 °C to +80 °C
Type of construction:	Shut-off device is a ball
Weight:	See table
Flow direction:	Optional

Dimensions

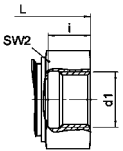
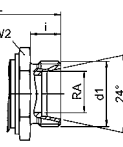
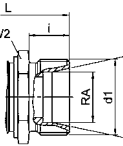
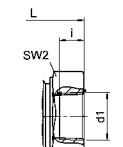
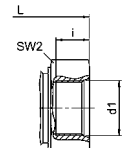
KHB



KHM



Steel

Connection type	Type	DN	LW	RA	d1	i	L	L1	B	H	h1	h2	h3	SW1	SW2	Wt. [kg]	Nom. press. PN [bar]	
DIN ISO 228 Female thread 	KHB-G1/8	4	8	-	G1/8	10	69	41	40	44	13	40	7	9	27	0.29	500	
	KHB-G1/4	6	8	-	G1/4	14	69	41	40	44	13	40	7	9	27	0.32	500	
	KHB-G3/8	10	10	-	G3/8	14	69	41	40	53	17	40	8.5	9	27	0.46	500	
	KHB-G1/2	13	13	-	G1/2	15	84	46	45	53	17	45	8.5	12	32	0.59	500	
	KHB-G3/4	16	16	-	G3/4	18	84	46	45	75	24.5	45	11.6	12	36	1.3	315	
	KHB-G1	20	20	-	G1	20.5	108	58.5	48	82	28.5	57	11.6	14	41	2.03	315	
	KHB/KHM-G1.1/4	25	25	-	G1 1/4	22	113	63	57	82	28.5	64	11.6	14	50	2.50	315	
	KHB/KHM-G1.1/2	32	30	-	G1 1/2	24	130	83	75	116.2	45	85	12	17	65	4.4	315	
	KHB/KHM-G2	40	38	-	G2	28	140	85	80	134.2	55.5	87	12	17	70	6.6	315	
	DIN 2353 Light range 	KHB-06LR	4	4	6	M12x1.5	7	67	41	40	44	13	40	7	9	27	0.26	500
KHB-08LR		6	6	8	M14x1.5		67	41	40	44	13	40	7	9	27	0.26	500	
KHB-10LR		8	8	10	M16x1.5	11	74	41	40	53	17	40	8.5	9	27	0.43	500	
KHB-12LR		10	10	12	M18x1.5	11	74	41	40	53	17	40	8.5	9	27	0.43	500	
KHB-15LR		13	12	15	M22x1.5	12	82	41	45	62	19	40	11.6	12	32	0.64	400	
KHB-18LR		16	15	18	M26x1.5	12	82	46	45	62	19	45	11	12	32	1.25	315	
KHB-22LR		20	19	22	M30x2	14	101	46	48	75	24.5	57	11.6	14	41	1.54	315	
KHB-28LR		25	24	28	M36x2	14	108	58.5	57	82	28.5	64	11.6	14	50	1.54	315	
KHB/KHM		KHB-35LR	32	30	35.3	M45x2	16	141.4	63.5	75	105.2	40	85	12	17	65	3.36	315
KHB-42LR		40	36	42.3	M52x2	16	162	83	75	116.2	45	87	12	17	70	4.88	315	
DIN 2353 Heavy range 	KHB-08SR	4	5	8	M16x1.5	7	73	41	40	44	13	40	7	9	22	0.28	500	
	KHB-10SR	6	7	10	M18x1.5	7.5	73	41	40	44	13	40	7	9	27	0.32	500	
	KHB-12SR	8	8	12	M20x1.5	12	76	41	40	53	17	40	8.5	9	27	0.45	500	
	KHB-14SR	10	10	14	M22x1.5	14	80	41	40	53	17	40	8.5	9	27	0.50	500	
	KHB-16SR	13	12	16	M24x1.5	14	86	46	45	62	19	45	11.6	12	32	0.65	400	
	KHB-20SR	16	15	20	M30x2	16	90	46	45	62	19	45	11	12	32	0.67	400	
	KHB-25SR	20	20	25	M36x2	18	109	58.5	48	75	24.5	57	11.6	14	41	1.32	315	
	KHB-30SR	25	25	30	M42x2	20	120	63.5	57	82	28.5	64	11.6	14	50	1.87	315	
	KHB / KHM	KHB-38SR	32	30	38.3	M52x2	22	153.4	83	75	105.2	40	85	12	17	60	3.43	315
	ANSI B1.20.1 NPT female thread 	KHB-06NPT	6	8	-	1/4 - 18 NPT	6.7	69	41	40	44	13	40	7	9	27	0.3	500
KHB-10NPT		10	10	-	3/8 - 18 NPT	10.36	69	41	40	53	17	40	8.5	9	27	0.5	500	
KHB-16NPT		13	13	-	1/2 - 14 NPT	13.56	84	47	40	53	17	40	8.5	12	32	0.6	500	
KHB-20NPT		16	16	-	3/4 - 14 NPT	13.86	84	46	45	75	24.5	45	11.6	12	41	1.3	350	
KHB-25NPT		20	20	-	1 - 11 1/2 NPT	17.34	108	58.5	48	82	28.5	57	11.6	14	41	2	350	
KHB-32NPT		25	25	-	1 1/4 - 11 1/2 NPT	17.95	113	63.5	57	105.2	40	64	12	17	55	3.1	350	
KHB-40NPT		30	30	-	1 1/2 - 11 1/2 NPT	18.38	130	83	75	116.2	45	85	12	17	65	4.4	350	
KHB-50NPT		38	38	-	2 - 11 1/2 NPT	19.22	140	85	85	134.2	55.5	87	12	17	75	6.6	350	
KHB / KHM		KHB-50NPT	38	38	-	2 - 11 1/2 NPT	19.22	140	85	85	134.2	55.5	87	12	17	75	6.6	350
SAE J 5/4 UN/UNF Female thread 		KHB-06SAE	6	8	-	7/16 - 20 UNF	12	69	41	40	44	13	40	7	9	27	0.3	500
	KHB-10SAE	10	10	-	9/16 - 18 UNF	13	69	41	40	53	17	40	8.5	9	27	0.5	500	
	KHB-16SAE	13	12	-	3/4 - 16 UNF	15	84	46	45	62	19	45	11	12	32	0.75	400	
	KHB-20SAE	16	16	-	1 1/16 - 12 UN	20	107	58.5	48	75	24.5	57	11.6	14	41	1.3	350	
	KHB-25SAE	20	20	-	1 5/16 - 12 UN	20	113	63.5	57	82	28.5	64	11.6	14	50	2	350	
	KHB-32SAE	25	25	-	1 5/8 - 12 UN	20	131	83	75	105.2	40	85	12	17	60	3.1	350	
	KHB-40SAE	32	30	-	1 7/8 - 12 UN	20	140	85	85	116.2	45	87	12	17	70	4.4	350	
	KHB-50SAE	40	38	-	2 1/2 - 12 UN	20	150	95	111	134.2	55.5	109	12	17	80	6.6	350	
	KHB / KHM	KHB-50SAE	40	38	-	2 1/2 - 12 UN	20	150	95	111	134.2	55.5	109	12	17	80	6.6	350

NOTE :- Dimensions & Design are subject to change due to continuous product improvement.

FLUTEC VALVES |