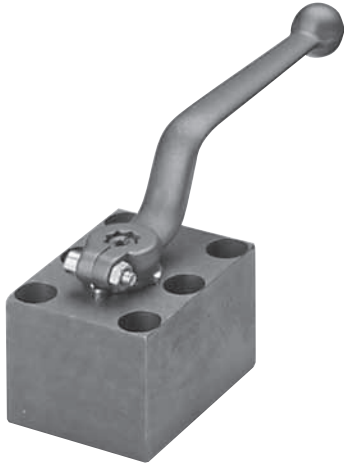


FLUTEC High Pressure Ball Valves

KHP Series 2-way Manifold Mounted Ball Valves



Specifications

- Sizes 3/8" - 2"
- Carbon Steel Housing
- Polyacetal Ball Seals (standard)
- FPM (Fluoroelastomer) O-Rings (standard)
- Operating Pressure to 5000 psi Depending on Seal Materials Selected
- Temp Range: 14° to 176°F with Standard materials (1114) up to max. pressure rating. Extended Temperature range -40° to 392°F on request with special materials and reduced pressure rating (see page 24) .

Model Code

KHP - 20 - 1 1 1 4 - 12X

Housing Type _____

KHP = Block Housing for Manifold mounting

Nominal Sizes _____

Valve Size	Nominal Size
10	3/8"
16	1/2"
20	3/4"
25	1"
32	1-1/4"
40	1-1/2"
50	2"

Body Material _____

1 = Carbon Steel (phosphate coated)

Spindle and Ball Material _____

1 = Carbon Steel (ball is chrome plated, spindle is zinc-plated)

3 = Stainless Steel

Ball Seal Material _____

1 = Polyacetal (standard)

3 = PTFE (1500 psi max)

O-Ring Material _____

2 = NBR (Buna N)

3 = PTFE Spindle Seals and FPM (fluoroelastomer) O-Rings (1500 psi max)

4 = FPM (fluoroelastomer) (standard)

5 = EPR

Handle Codes _____

09x = Without Handle

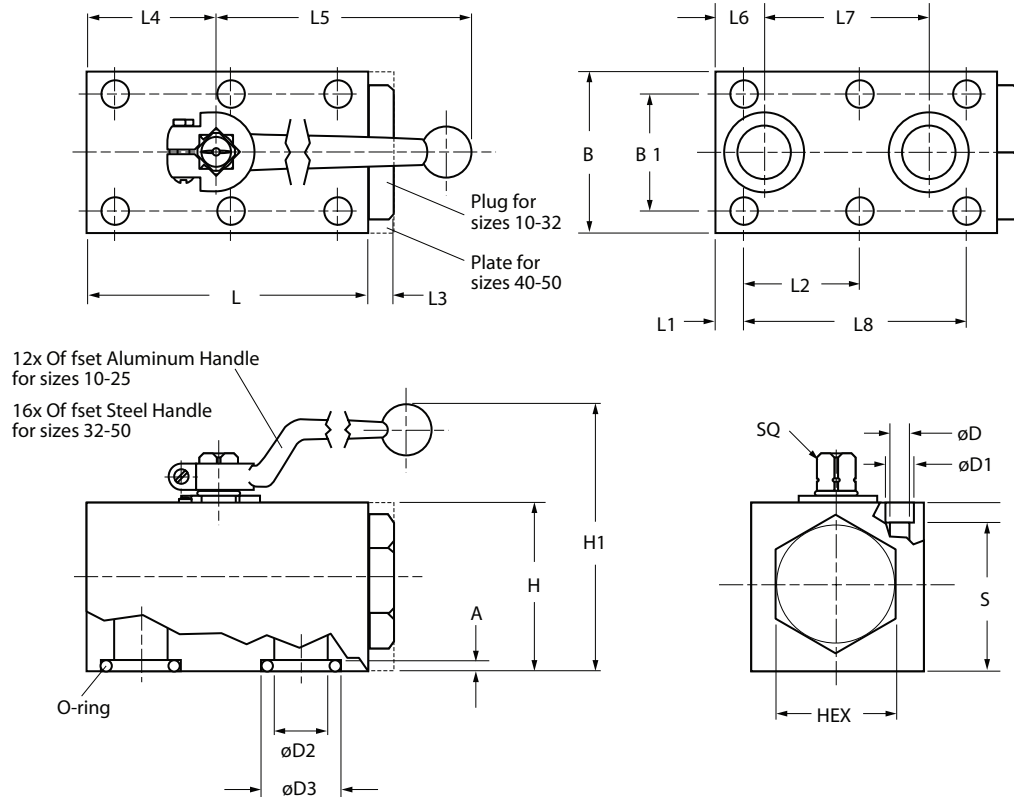
12x = Offset Aluminum sizes 10 - 25

16x = Offset Steel sizes 32 - 50

01 = Aluminium clamped handle , straight

High Pressure Ball Valves

Dimensions



Model	Max. psi ⁽¹⁾	A	B	B1	ø D	ø D1	ø D2	ø D3	HEX	H	H1	O-ring	Weight
KHP-10	5000	0.08 (2)	2.17 (55)	1.575 (40)	0.35 (9)	0.55 (14)	0.374 (9.5)	0.591 (15)	1 3/16 (30)	1.77 (45)	3.58 (91)	10 x 2.5	2.6 (1.2)
KHP-16	5000	0.08 (2)	2.36 (60)	1.772 (45)	0.35 (9)	0.55 (14)	0.630 (16)	0.984 (25)	1 7/16 (36)	2.17 (55)	4.45 (113)	20 x 2.50	4.6 (2.1)
KHP-20	5000	0.12 (3)	2.76 (70)	2.008 (51)	0.41 (10.5)	0.65 (16.5)	0.787 (20)	1.181 (30)	1 5/8 (41)	2.76 (70)	5.16 (131)	23 x 3.50	8.2 (3.7)
KHP-25	5000	0.12 (3)	3.15 (80)	2.362 (60)	0.41 (10.5)	0.65 (17)	0.925 (23.5)	1.378 (35)	2 (50)	3.15 (80)	5.55 (141)	28 x 3.50	12.3 (5.6)
KHP-32	5000	0.12 (3)	3.94 (100)	3.071 (78)	0.51 (13)	0.75 (19)	1.260 (32)	1.551 (39.4)	2 9/16 (65)	3.94 (100)	8.07 (205)	33 x 3.50	23.4 (10.6)
KHP-40	5000	0.12 (3)	5.12 (130)	3.740 (95)	0.69 (17.5)	1.02 (26)	1.496 (38)	1.906 (48.4)	-	3.94 (100)	8.07 (205)	42 x 3.50	38.6 (17.5)
KHP-50	5000	0.12 (3)	5.91 (150)	4.409 (112)	0.87 (22)	1.30 (33)	1.89 (48)	2.181 (55.4)	-	4.33 (110)	8.46 (215)	50 x 3.50	43.7 (19.8)

Model	L	L1	L2	L3	L4	L5	L6	L7	L8	S	SQ	Bolt Size ⁽²⁾	Torque ⁽²⁾
KHP-10	2.76 (70)	0.295 (7.5)		0.39 (10)	1.14 (29)	5.51 (140)	0.394 (10)	1.732 (44)	2.165 (55)	1.42 (36)	0.35 (9)	5/16" - 18 UNC x 2"	26 ft/lb
KHP-16	3.94 (100)	0.335 (8.5)	1.634 (41.5)	0.39 (10)	1.73 (44)	6.42 (163)	0.669 (17)	2.284 (58)	3.268 (83)	1.81 (46)	0.47 (12)	5/16" - 18 UNC x 2 1/4"	26 ft/lb
KHP-20	4.61 (117)	0.394 (10)	1.909 (48.5)	0.39 (10)	2.01 (51)	7.20 (183)	0.787 (20)	2.717 (69)	3.819 (97)	2.34 (59.5)	0.55 (14)	3/8" - 16 UNC x 3"	45 ft/lb
KHP-25	5.32 (135)	0.394 (10)	2.264 (57.5)	0.39 (10)	2.44 (62)	7.20 (183)	0.945 (24)	3.189 (81)	4.528 (115)	2.72 (69)	0.55 (14)	3/8" - 16 UNC x 3 1/4"	45 ft/lb
KHP-32	6.50 (165)	0.472 (12)	2.677 (68)	0.43 (11)	2.95 (75)	12.00 (305)	1.142 (29)	3.780 (96)	5.354 (136)	3.31 (84)	0.67 (17)	7/16" - 14 UNC x 4"	75 ft/lb
KHP-40	7.09 (180)	1.122 (28.5)	2.205 (56)	0.98 (25)	3.33 (84.6)	12.00 (305)	1.122 (28.5)	4.409 (112)	4.409 (112)	3.25 (82.5)	0.67 (17)	5/8" - 11 UNC x 4 1/4"	220 ft/lb
KHP-50	8.66 (220)	1.496 (38)	2.677 (68)	0.98 (25)	4.17 (106)	12.00 (305)	1.496 (38)	5.354 (136)	5.354 (136)	3.48 (88.5)	0.67 (17)	3/4" - 10 UNC x 4 1/2"	400 ft/lb

Dimensions are for general information only, all critical dimensions should be verified by requesting a certified print. Dimensions are in inches/(mm) and lbs./(kg).

1) Dependent upon valve and seal materials selected.

2) Bolt size and torque provided as reference only. Manifold designs must take all factors (materials, pressure, etc.) into consideration.

Consult FLUTEC Engineering for more information