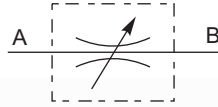


FLUTEC VALVES

"FLUTEC"

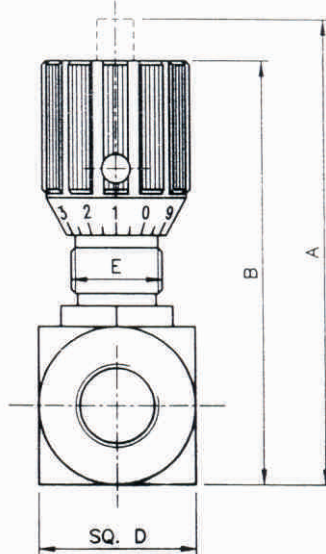
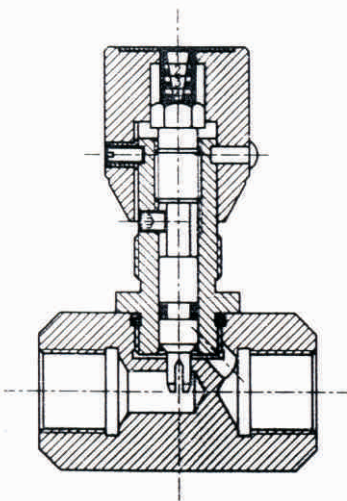
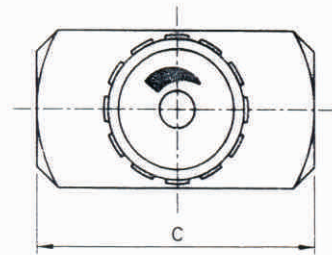
NEEDLE VALVE

(Model Code -NV 6 to 40)



Description :

- Flutec Valves are designed to provide simple and accurate control of hydraulic fluids.
- By increasing number of turning of the control knob, starting from the closed position the flow increases evenly.
- The last turning results in a complete opening of the flow passage.
- The coloured scale and coloured ring in the top of the control knob permits an accurate repetition of settings and visual indication of the flow area.
- Increase in the size of the coloured triangle on the rings corresponds to an increase in flow area.
- A setscrew is provided in the side of the knob to lock the flow control valve in set position to comply with safety standards.



| Model Code | Port Size | A | B | F | D | E | C | øG | øH | Weight Kg. |
|------------|-----------|-----|-----|------|----|----|-----|----|----|------------|
| NV-06 | 1/8" | 55 | 50 | 8 | 25 | 19 | 38 | 24 | 13 | 0.12 |
| NV-08 | 1/4" | 72 | 65 | 12.5 | 30 | 24 | 48 | 29 | 19 | 0.25 |
| NV-10 | 3/8" | 74 | 67 | 15 | 32 | 29 | 58 | 29 | 19 | 0.40 |
| NV-12 | 1/2" | 92 | 82 | 17.5 | 38 | 34 | 68 | 38 | 23 | 0.70 |
| NV-16 | 3/4" | 105 | 96 | 22.5 | 45 | 39 | 78 | 38 | 23 | 1.2 |
| NV-20 | 1" | 145 | 128 | 25 | 50 | 54 | 108 | 49 | 38 | 2.1 |
| NV-25 | 1-1/4" | 150 | 133 | 30 | 60 | 54 | 108 | 49 | 38 | 2.8 |
| NV-30 | 1-1/2" | 155 | 138 | 35 | 70 | 54 | 108 | 49 | 38 | 3.5 |
| NV-40 | 2" | 200 | 183 | 40 | 80 | 65 | 130 | 49 | 38 | 5.1 |

All Dimensions are in mm.

FLUTEC VALVES

12-Sardar Bachan Singh Estate,
Sonawala Main Road,
Opp. Cello Building,
Goregaon east, Mumbai-400 063.

Cell.: +91 98210 43687, +91 97694 43687
Telefax: +91 22 2686 1591
email : flutec1@hotmail.com,
sales@flutecvalves.com

Website: www.flutecvalves.in