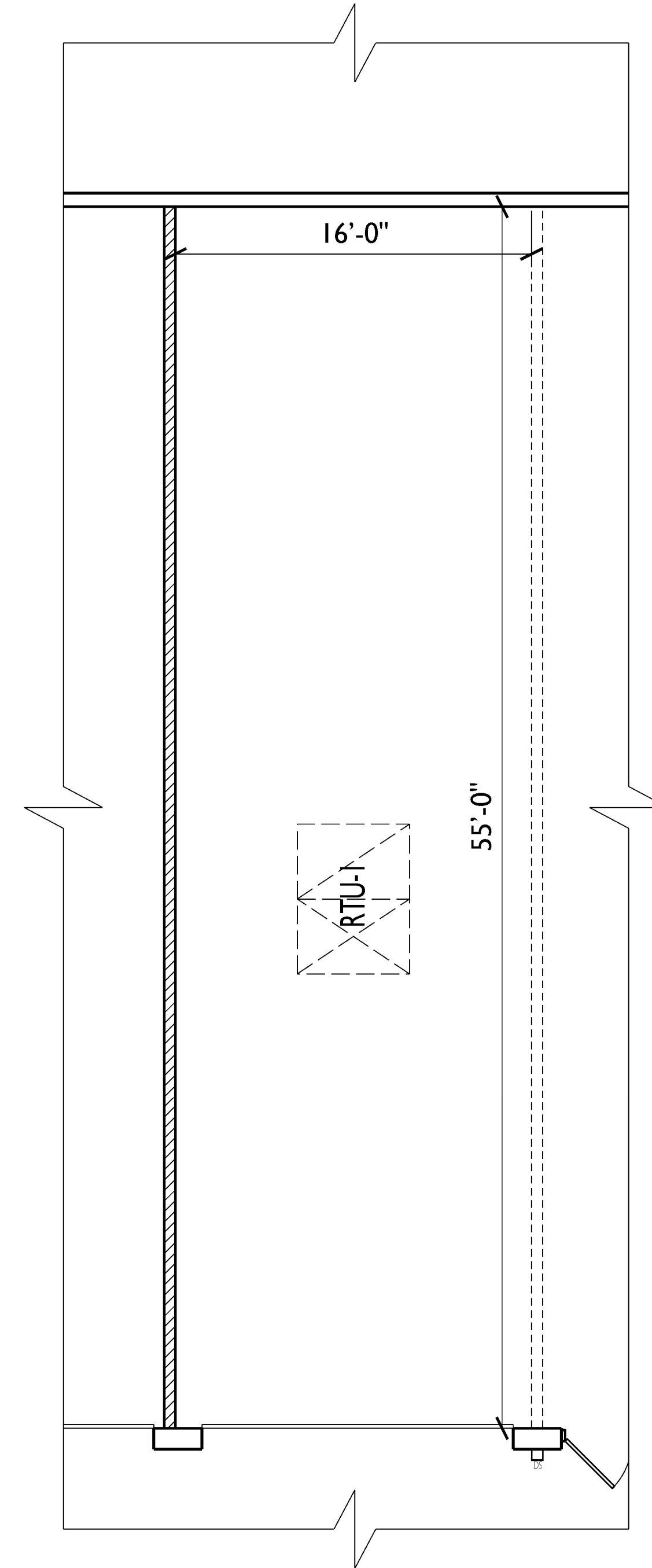
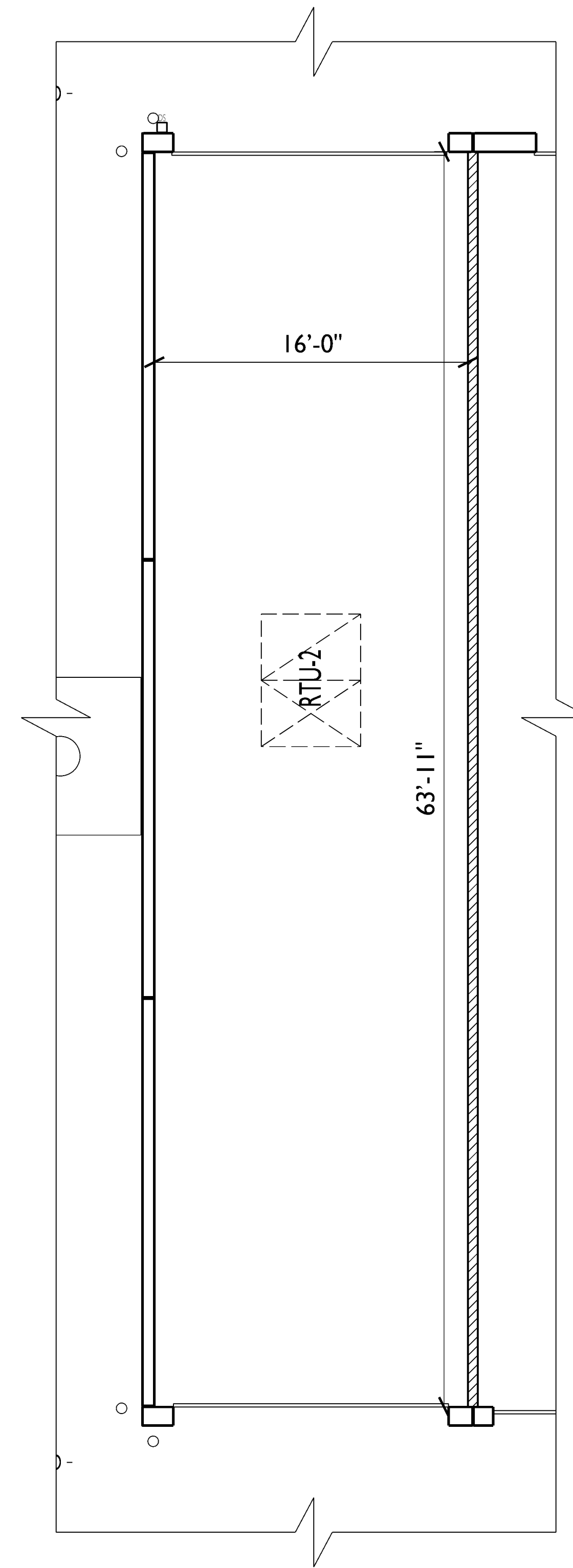


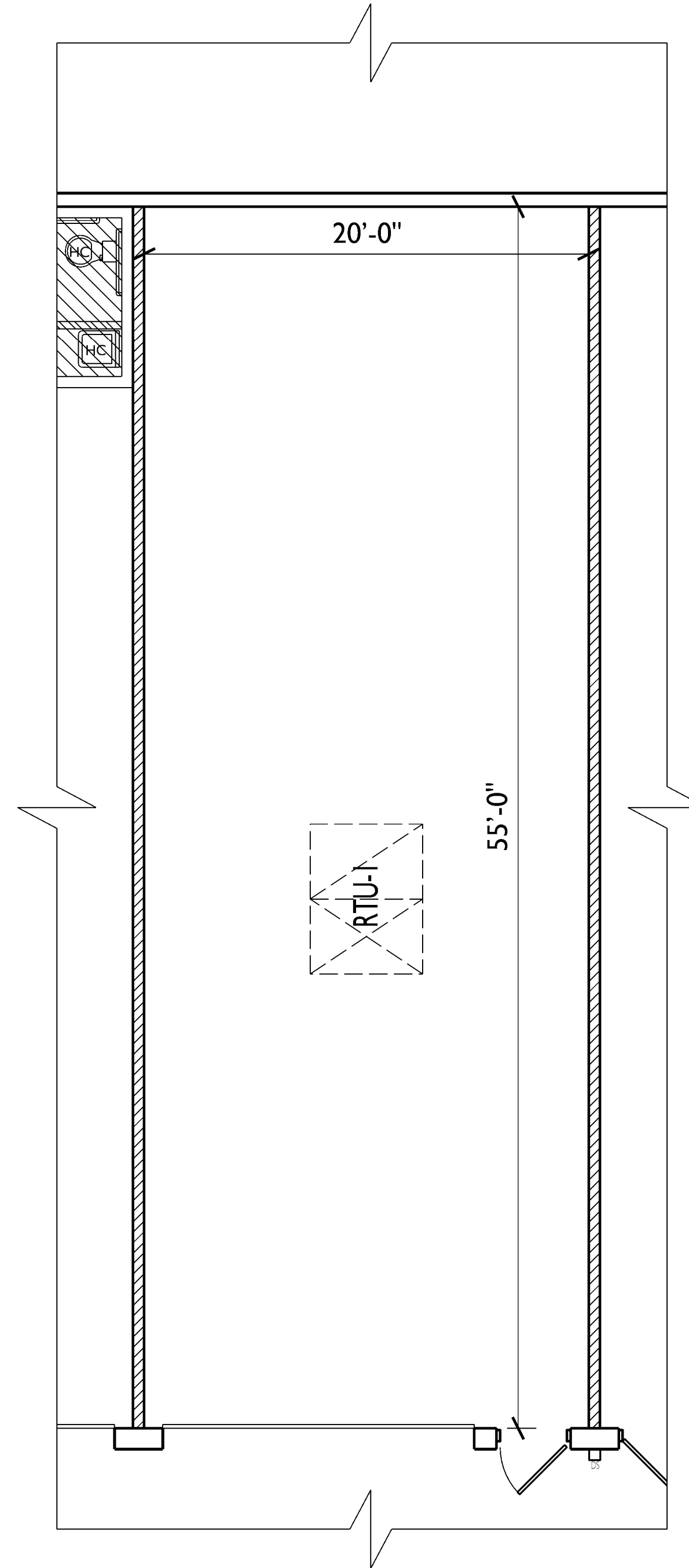
○ OVERALL BUILDING FLOOR PLAN



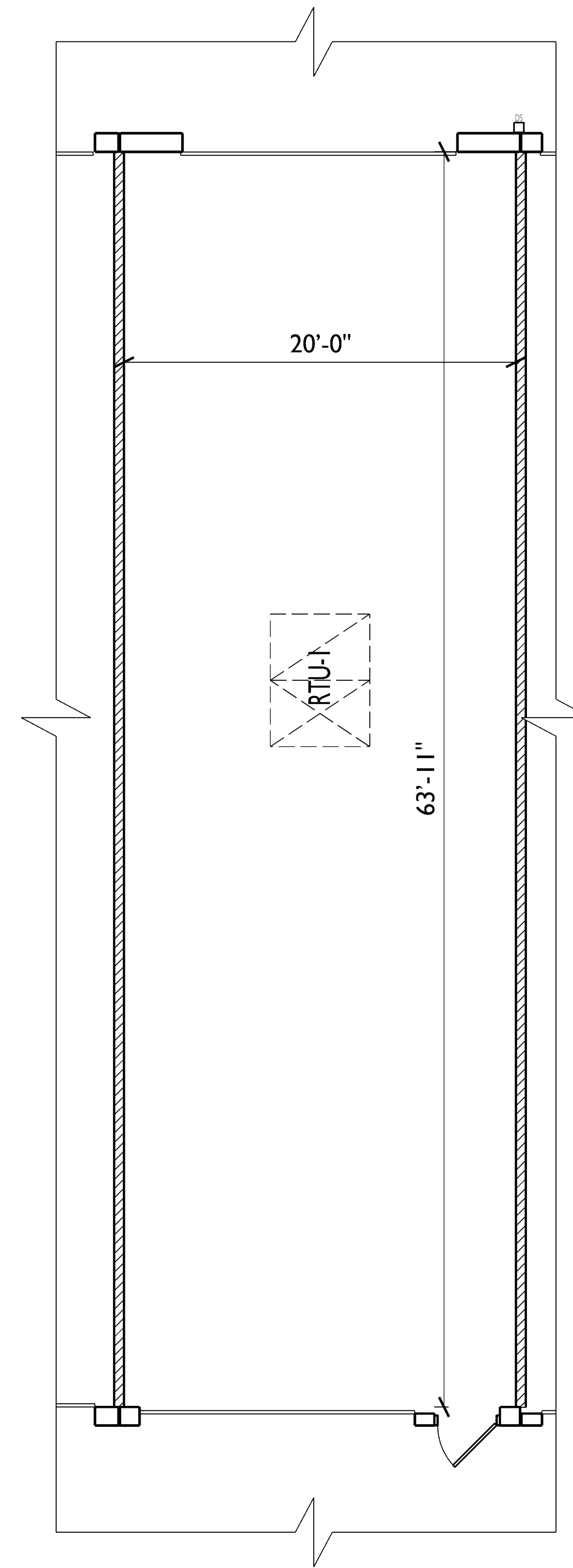
○ UNIT PLAN - TYP. 16' WIDE x 55' DEEP UNIT  
16' X 55' 880 SF



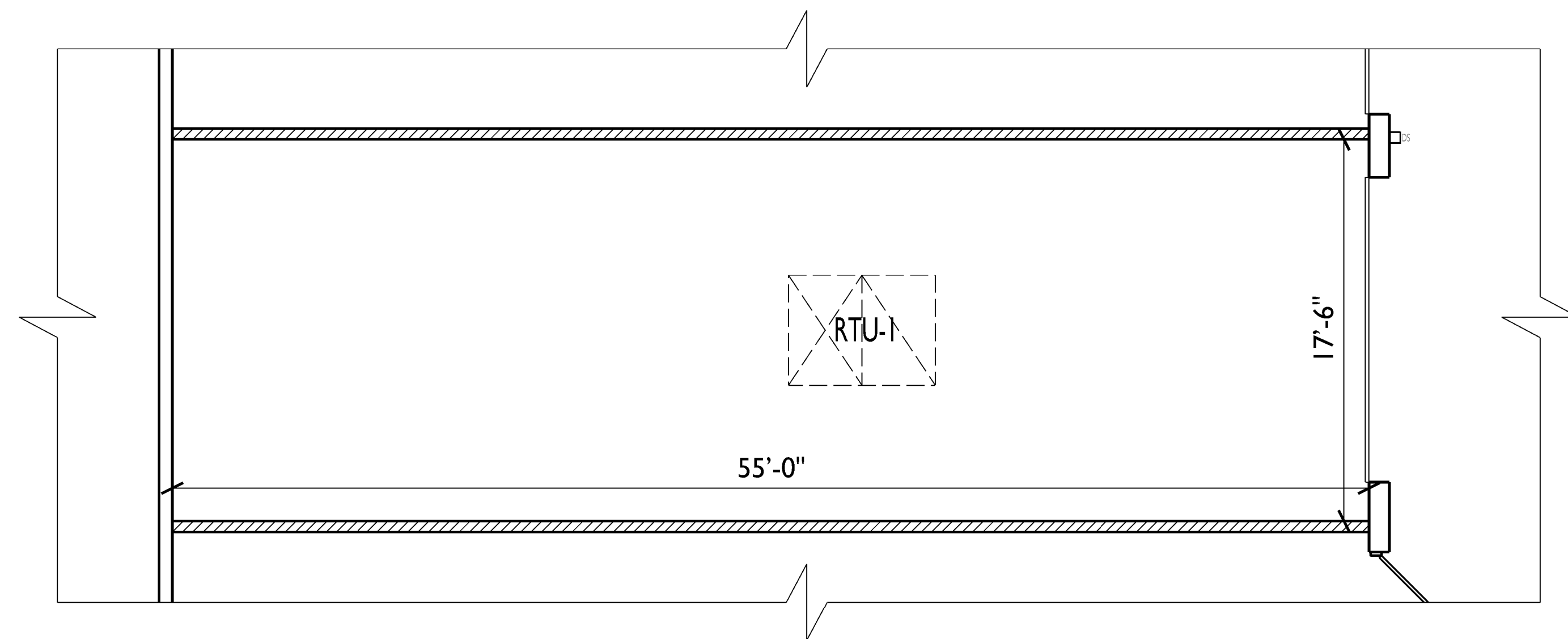
○ UNIT FLOOR PLAN - TYP. 16' WIDE x 63'-11" DEEP UNIT  
16' X 63'-11" 1,020 SF

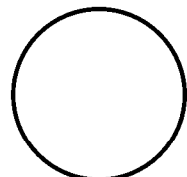


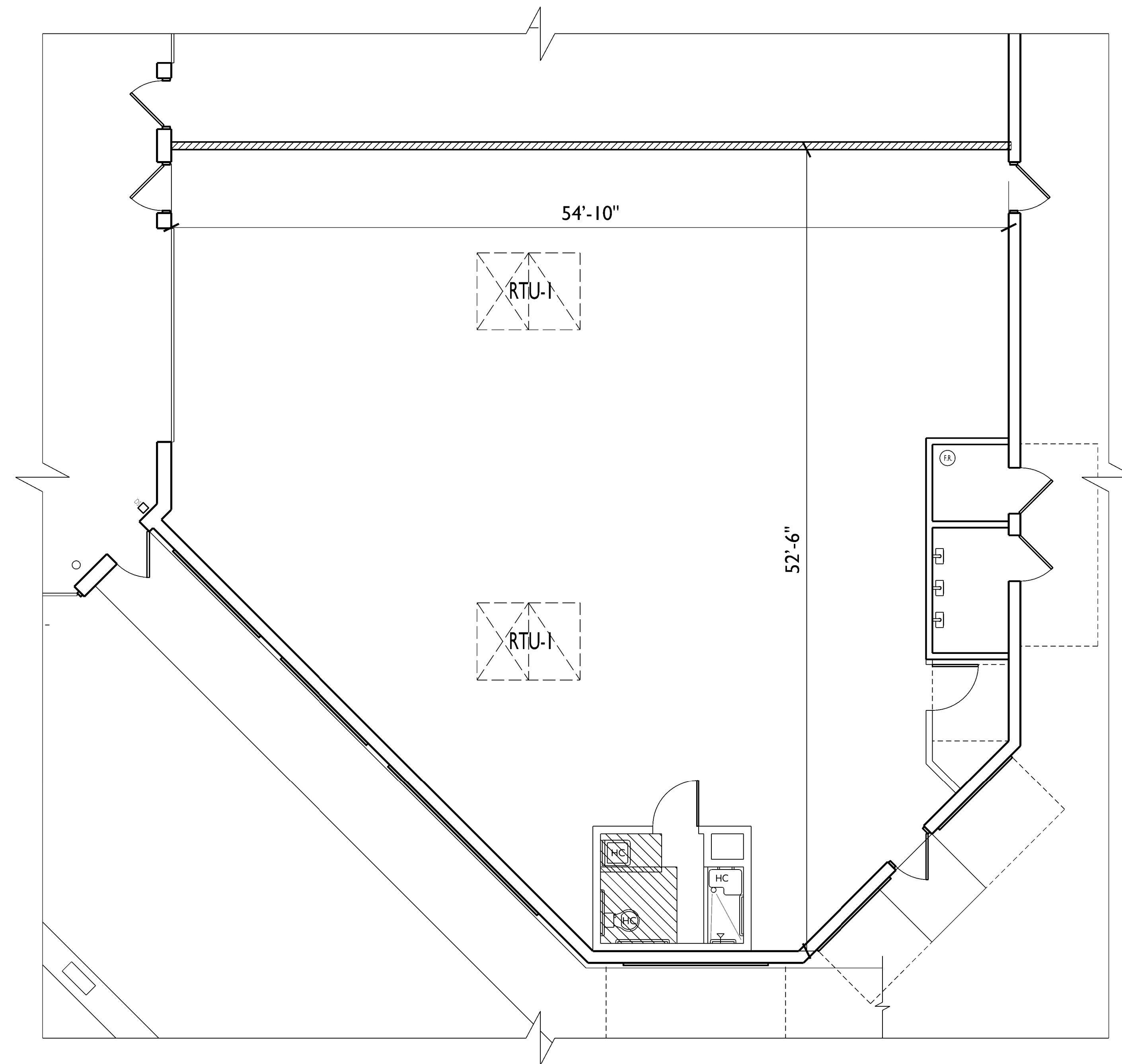
○ UNIT FLOOR PLAN - TYP. 20' WIDE x 55' DEEP UNIT  
20' X 55' 1,100 SF



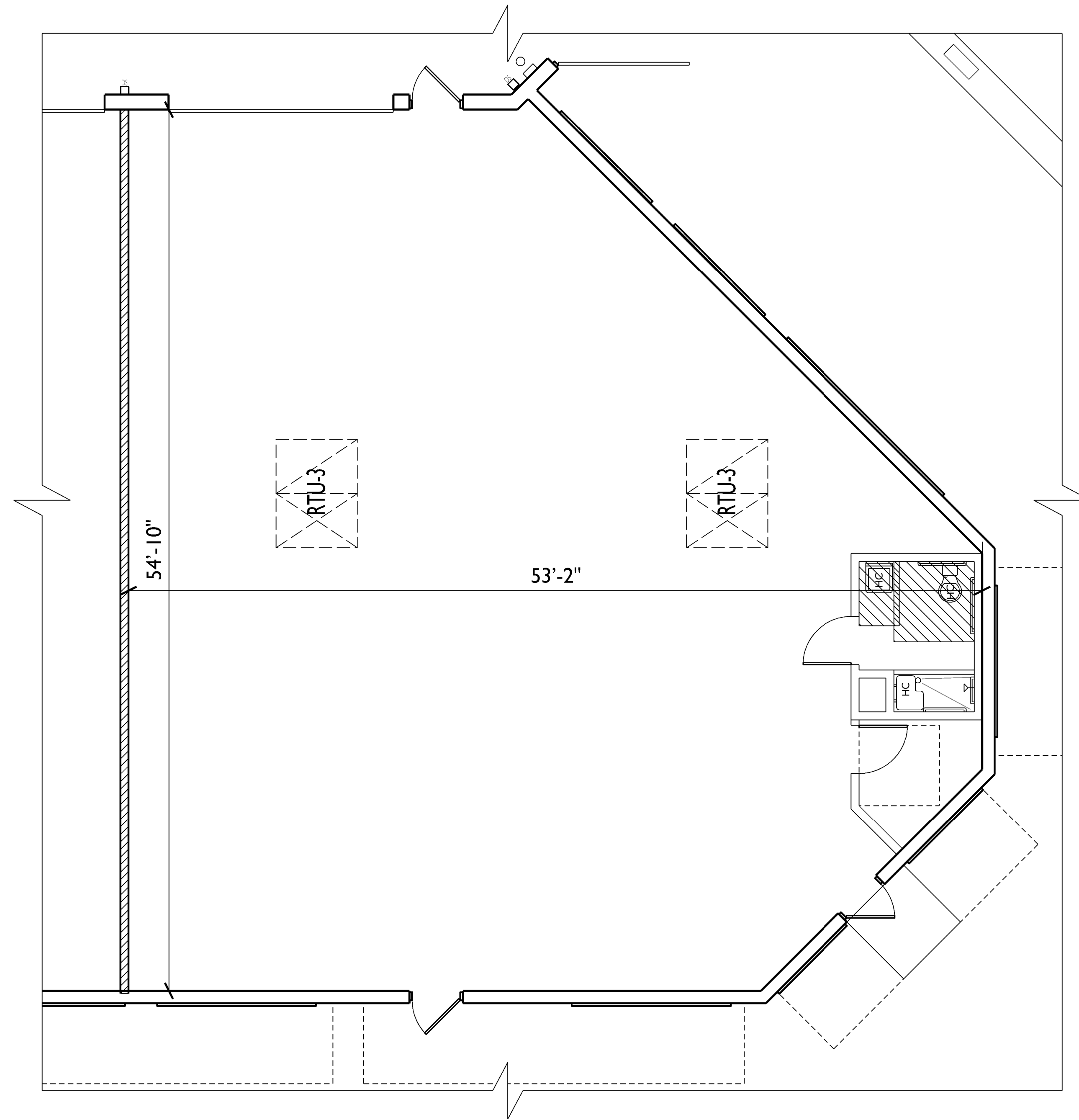
 **UNIT FLOOR PLAN - TYP. 20' WIDE x 63'-11" DEEP UNIT**  
20' X 63'-11" 1,285 SF



 **UNIT FLOOR PLAN - 17'-6" WIDE x 55' DEEP UNIT**  
17'-6" X 55' 965 SF

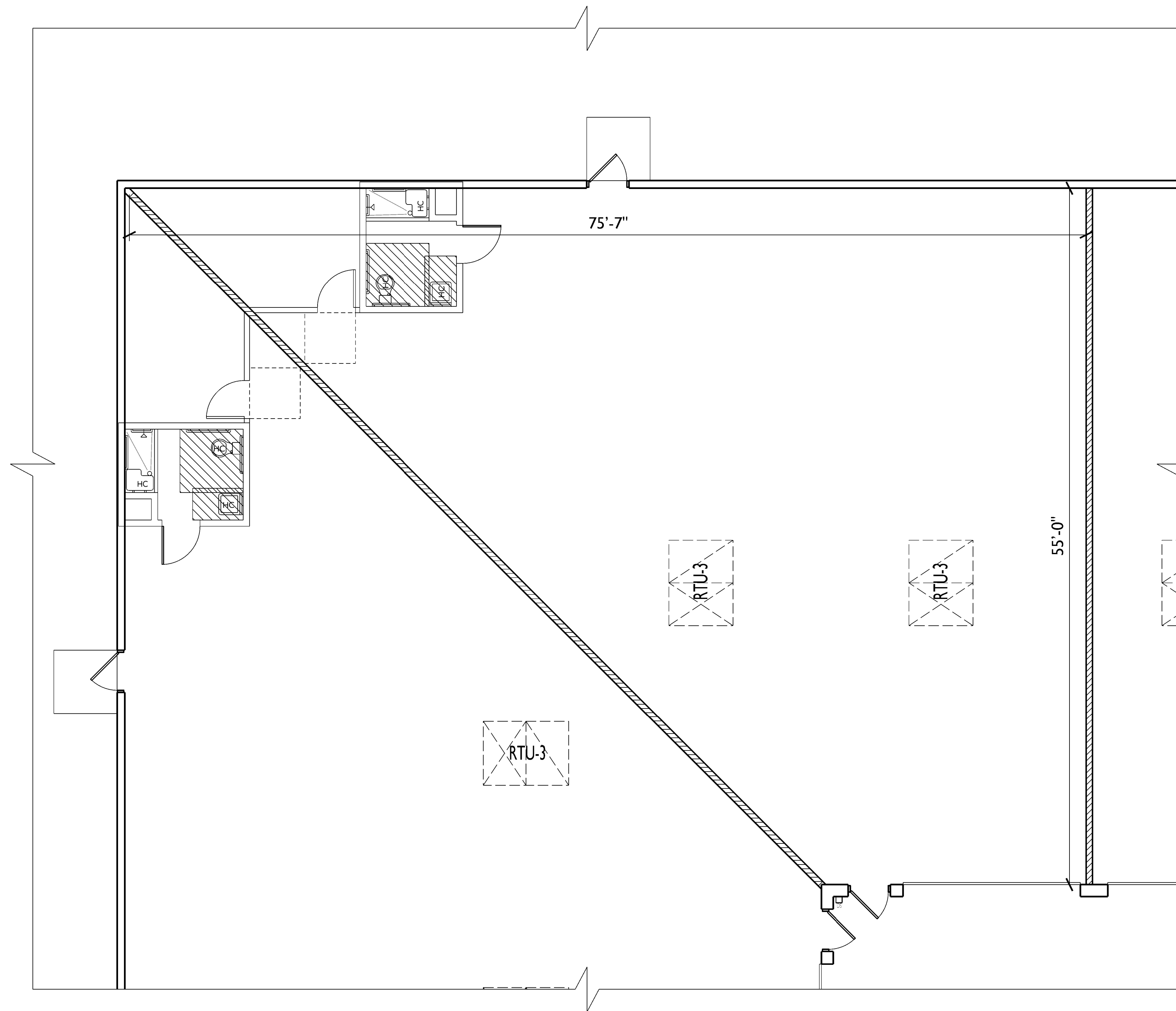


 **UNIT FLOOR PLAN - CORNER UNIT**  
52'-6" X 54'-10" 2,325 SF

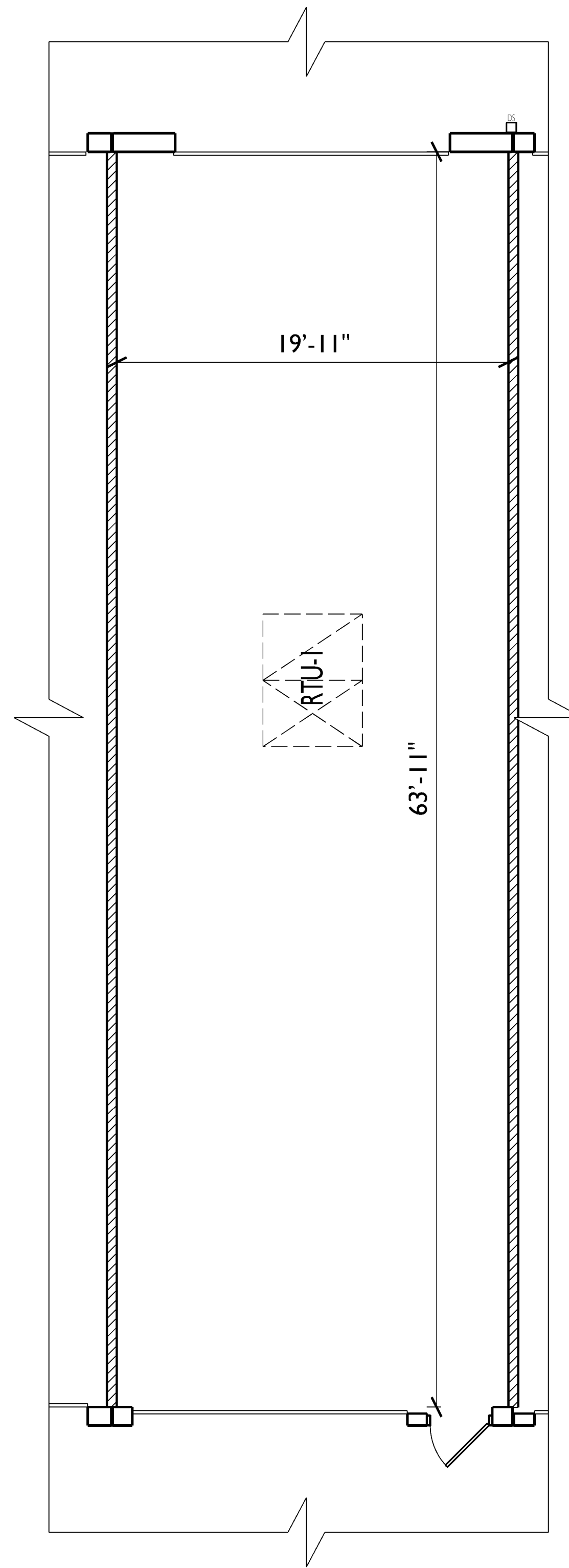


 **UNIT FLOOR PLAN - CORNER UNIT**  
53'-2" X 54'-10" 2,438 SF





 **UNIT FLOOR PLAN - TYP. CORNER UNIT**  
75'-7" X 55' 2,645 SF



 **UNIT FLOOR PLAN**  
19'-11" X 63'-11" 1,274 SF