

InKorr

This product is represented in Australia, New Zealand, and PNG by:

InKorr Pty Ltd

Address: Unit 8, 1470 Ferntree Gully Road,
Knoxfield VIC 3180, Australia
Email: inkorr.service@inkorr.com.au
General: +61 (0) 413 996 890 (Makarios Wong)
Service: +61 (0) 478 800 003 (Shane Halliwell)

Contact InKorr Pty Ltd for:



Heat Exchangers

- Shell & Tube Heat Exchangers
- Gasketed Plate Heat Exchangers
- Brazed Plate Heat Exchangers
- Crossflow Welded Plate Heat Exchangers
- Plate & Shell Heat Exchangers
- Non Metallic Heat Exchangers
- Corrugated Tube Heat Exchangers
- Spiral Heat Exchangers
- Air-Cooled Heat Exchangers



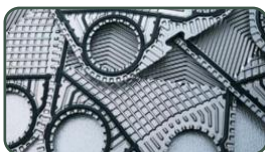
Vessels, Columns, and Equipment manufactured from:

- Exotic Alloys (Ta, Zr, Ti)
- Graphite and Silicon Carbide
- PTFE Lining



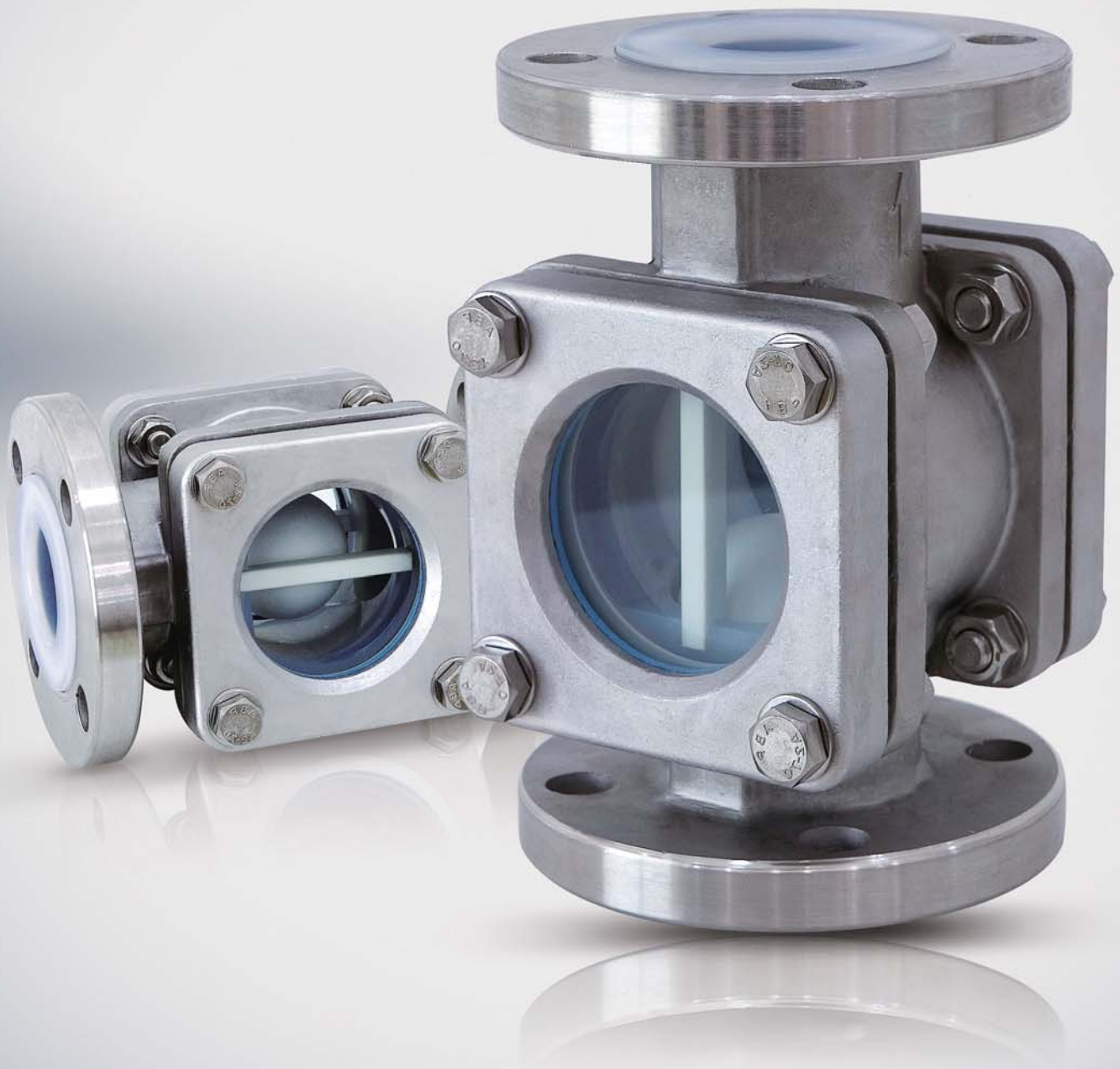
Plastic Lined Valves and Piping

- PTFE
- PVDF
- PP
- and many more!



Servicing and reburishment of heat exchangers!

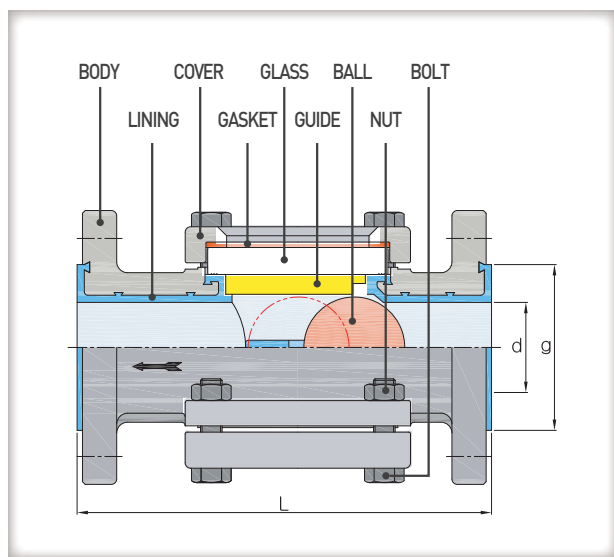
- Plate cleaning
- NDE for crack testing
- Spare parts, both OEM and aftermarket



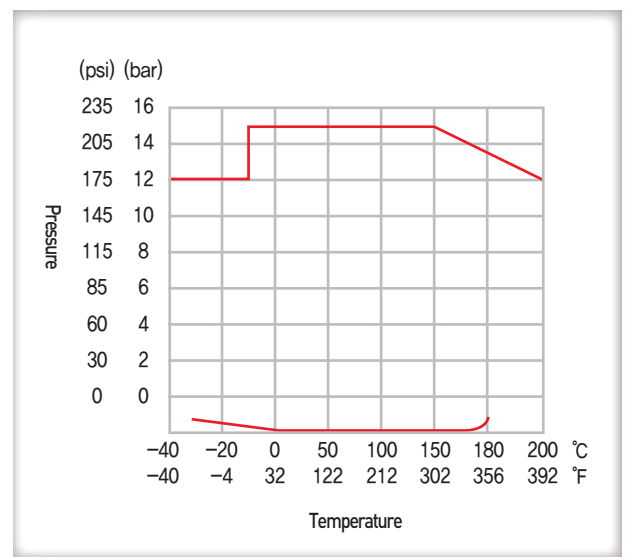
PFA LINED BALL CHECK VALVE SIGHT GLASS

High Performance and Creative Technology Company

www.fluonics.com



Ball check valve



Pressure-Temperature chart *

* Valid for solid PTFE ball only

GENERAL TECHNICAL DATA

Size (mm) :	25, 40, 50, 80
(inch) :	1, 1 1/2, 2, 3
Pressure rating :	ANSI 150
Face to face dimension :	EN 558-1
Temperature :	-40°C ~ 200°C
Flanges :	JIS 10K
	ANSI 150

Lining with high durability

The lining resin is locked by grooves allow the valves to be used on high vacuum, pressure and temperature application without lining collapse, shrinkage and blowout.

Lining virgin pure PFA

Suitable for corrosive, hazardous, pure hot and highly permeating media

Shut-off elements

Solid and hollow ball are made of PTFE

Sight glass

Borosilicate glass for temperatures up to 200°C

PFA LINED BALL CHECK VALVE SIGHT GLASS

High Performance and Technology Creative Company

Dimensions

Valve Size	(mm)			
	mm	25	40	50
d	25	36	50	76
L	160	200	230	310
g	50	73	92	125
Ref	C	D	E	G

Material

Parts	Material
Body	SCS13A / SCPH2
Lined	PFA
Cover	SCS13A / SCPH2
Gasket	Aramide
Glass	Borosilicate DIN 7080
Guide	PTFE+Glass 15%
Ball	PTFE

Ordering information

Order example	J	B	M	C	S	EP
Connection	A					
Valve type		SG				
Ball type			S			
Nominal size				C		
Valve body material					W	
Surface						P

Connections	Ref.	Valve type	Ref.	Ball type	Ref.	Valve body materials	Ref.	Surface finish	Ref.
JIS 10K	J	Ball check valve	BC	Solid	S	PFA lined Carbon steel (SCPH2)	W	Electropolished	EP
ANSI 150	A	Sight glass	SG	Hollow	H	PFA lined Stainless steel (SCS13A)	S	Epoxy coated	P
						PFA lined Stainless steel (SCS14A)	M		

Head Office & Factory

#561-11, Gwang Gyeok, Ho-Jeo, Wonju-Si, Kangwon-Do, Korea / Tel:82-33-731-3550 / Fax:82-33-731-3559 / www.fluonics.com