

This product is represented in Australia, New Zealand, and PNG by:

InKorr Pty Ltd

Address: Unit 12, 103 Lewis Road,
Knoxfield VIC 3180, Australia

Email: inkorr.service@inkorr.com.au

General: +61 (3) 8201 4868

Service: +61 (0) 478 800 003

Contact us with any enquiries related to:



Heat Transfer Equipment

- Shell & Tube Heat Exchangers - Standard, Custom, Corrugated Tubes.
- Plate Heat Exchangers - Brazed, Gasketed, Semi-Welded, & Welded.
- Graphite Heat Exchangers.
- Plate & Shell Heat Exchangers.
- Spiral Heat Exchangers.
- Crossflow Welded Heat Exchangers.
- Direct Steam Injection Heaters.
- Air Coolers.



Corrosion Resistant Equipment - Valves, Piping, Vessels & Systems

- Polymer-Lined Valves, Piping, and Pressure Vessels.
- Exotic Metal (Ta, Zr, Ti) Fabricated Piping and Pressure Vessels.
- Glass-Lined Vessels.
- Graphite Equipment and System Packages.



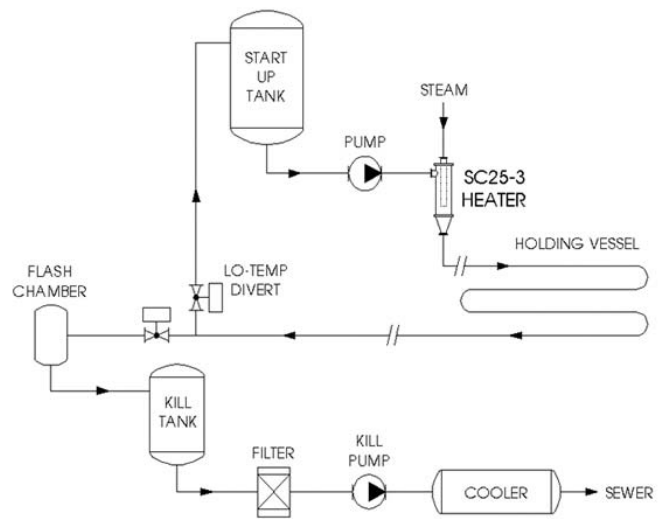
Service Maintenance

- Plate Heat Exchangers - Refurbishment, Gas Testing, UV Crack Testing.
- Graphite Equipment - Installation, Refurbishment, Repairs.
- Glass-Lined Vessels - Spark Testing, Lining Repair.
- Quality Spare Parts, both OEM and Aftermarket.



Process Heating Solutions Worldwide

Chemical & Pharmaceutical Processing Industry Case History



Bio-Inactivation System

Application

Large pharmaceutical facility wanted to convert their batch processing method for bio-waste treatment to a continuous flow system. Temperature of 130°C had to be reached and held for 5 minutes to effectively “kill” and neutralize living cells. The waste stream is then cooled prior to discharge to sewer. A 304L stainless steel shell and tube heat exchanger was also considered. Waste treatment time would be significantly reduced from the normal 30-45 minute batch.

Process Conditions

Temperature Rise:	70°C
Discharge Temperature:	140°C (285°F)
Steam Supply Pressure:	100 PSIG
Liquid Supply Pressure:	53 PSIG
Steam Flow:	830-2,054 lbs/hr

Solution

Pick SC25-3 Sanitary Heater with 1-1/2” tri-clamp liquid connections. Heater was installed prior to holding vessel and flash chamber.

The cast stainless steel Pick Heater can be used where sanitary finish and design are not required.

Features and Benefits:

- Accurate Temperature Control
- Easy Cleaning
- Instant Response to Heating Requirements
- Compact Design

Learn more at www.pickheaters.com

Pick Heaters, Inc. — 730 S. Indiana Ave. — West Bend, WI 53095 USA
Phone: (262) 338-1191 — Email: info1@pickheaters.com