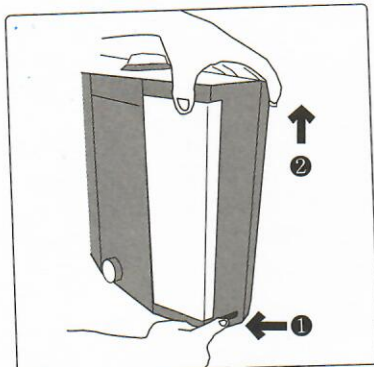
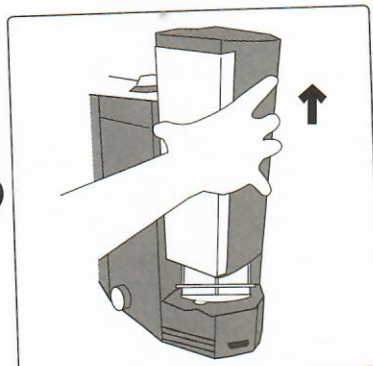


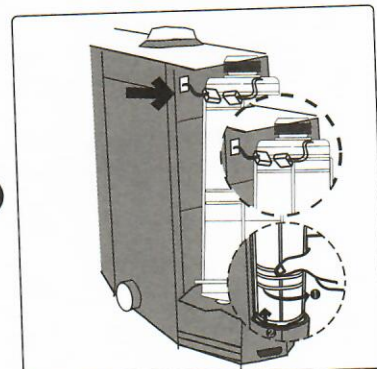
Filter Replacement Method (1st and 2nd filter)



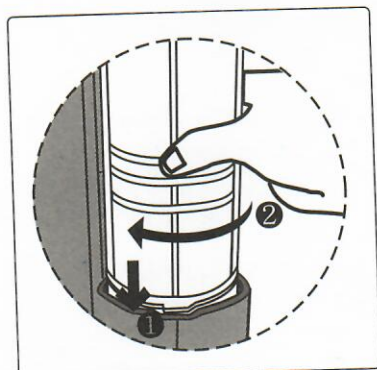
(Illust. 1)



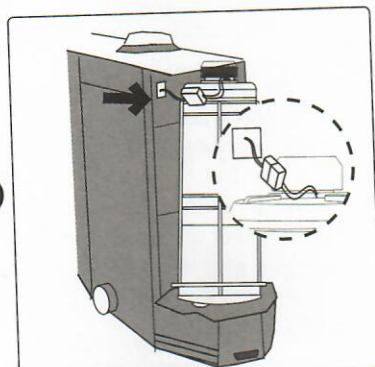
(Illust. 2)



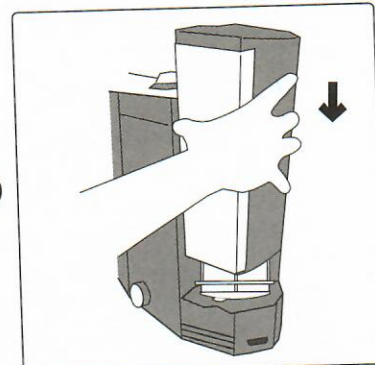
(Illust. 3)



(Illust. 4)



(Illust. 5)



(Illust. 6)

- Do not connect the electric plug for safety.

1. Open the cover. (Picture 1~2)

2. Disconnect the filter connector from the corresponding port. Replace with a new filter. (Picture 3)

- Place the filter into the hole securely and turn it clockwise to insert it into the connection part.

* Be careful of the possible water coming out of the filter. (It is not leakage)

* Remove the sealing sticker of the filter.

- Check whether the O-ring is attached well at the bottom of the new filter first.
- The reverse way from the installation. (Picture 4)
- Insert the filter connector into the corresponding port. (Picture 5)

3. Connect the electric plug and turn on the way supply control valve and let the water pass fluently.

- If a unbranded filter is installed, there will be a voice guidance saying "Filter rejected, mount correct one.", and the power will be turned off after 20 seconds.
- Check whether the filter usage status indicating number becomes [000].

4. Let the water flow through after selecting the purified water function.

- Let the water flow through for about 2~3 minutes.

(Dusts of activated carbon which is the filtering medium may flow with water during the initial flow after the filter is replaced.)

- Check whether there is any water leakage at the installation section of the filter.

5. Close the cover. (Picture 6)

- Please take note

■ When you get the alkaline ionized water in a cup after the filter is replaced, there can be white bubbles, which are not abnormal.

- The ion concentration (pH value) can become slightly higher after the filter is replaced (For about 1 week), that is not abnormal.

* Follow the steps mentioned above even when replacing the filter earlier than the time for the replacement.