



## PREMIUM CONSUMER LATTE MACHINE

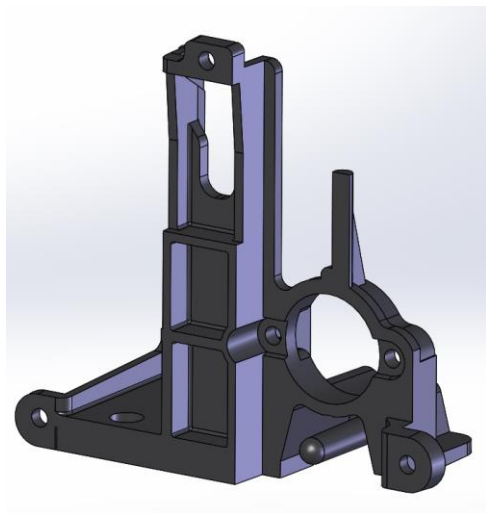
### HMD Helps Consumer Products Manufacturer Improve User Interface

#### CHALLENGE

A well-known consumer products company contacted HMD when their overseas manufacturer was unable to solve a user interface problem with their latest generation espresso/cappuccino/latte machine.

The milk container was overly challenging to remove from the base unit without knowing the specific removal technique. It was also difficult to properly engage the latching mechanism when reinstalling the tank.

The removable milk container is vital to the operation of the machine. Consumers need to be able to easily install and remove the tank to fill it with milk, or to store the unit in the refrigerator to keep the milk fresh for their next beverage.



#### SOLUTION

HMD developed a solution that could be quickly implemented into their manufacturing process. By adding a spring-loaded feature and altering the latch interface, the steamed milk container was not only more secure when latched to the machine, but could also be easily removed for filling, cleaning, or storage. Using 3D printed parts HMD was able to rework one of the latte machines creating a working prototype to prove out the concept.

#### OUTCOME

After implementing our design changes, the company's new generation latte machine is ready for production and will soon be for sale in countries across the world!

For more information please visit [www.hmd-llc.com](http://www.hmd-llc.com)

E-Mail: [info@hmd-llc.com](mailto:info@hmd-llc.com) or Call: 804-355-5588