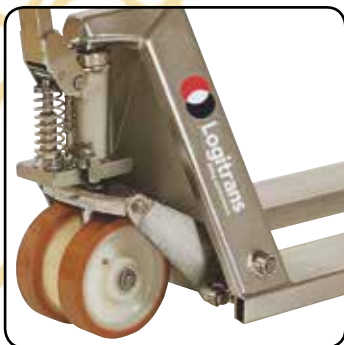
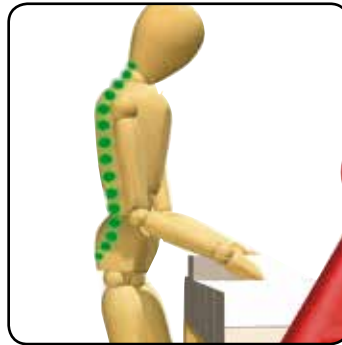


A World of Options...



A WORLD OF OPTIONS...

Local root. Global reach.

Logitrans was founded in 1940 in a small smithy and has a long history with a lot of traditions. Today the company is world-wide and exports 85% of the production to more than 50 countries in the whole world!

Logitrans is a Good Partner!

- Safety
- Durability
- Customer-adapted solutions
- Ergonomics
- Customer Service

Lifting performance!

The promise of Logitrans is to fulfil the needs of the customers to be able to handle goods in an efficient and ergonomically correct way! With unique handling solutions, Logitrans helps to increase the performance of the customers!



Man in focus!

“We have the relationship between man and machine at heart - as well as the working environment and the well-being of our employees and customers.”

Erling Pedersen, President



Focusing on ergonomics and efficiency!

The Logitrans range of products ensures that the user always has the correct equipment when transporting, handling or lifting goods on pallets or in boxes, reels, drums etc.

The good and flexible working conditions help to increase the efficiency of the user!



Perfect for all areas

Logitrans products are available for all areas in a company, e.g. production, storage and shopping areas, and for all industries; also when good hygiene is required. The product range is wide – including both standard and custom-built products which solve the specific needs of the customer.

Visionary, Unique and Ergonomic

Easy handling, optimum space utilisation and ergonomically good working conditions are always in focus at Logitrans.

"We are very satisfied with the Logitrans products! They help us to fulfil our objectives concerning maximum safety, efficiency and working environment"

Jean-Paul Wauters, Supervisor for Health and Safety, Caterpillar Distribution Services, Belgium.



REEL HANDLING

Transport, rotate and lift reels - find the equipment perfect for your handling situation and avoid strain on arms and back!



Reel Clamp

A World of Options:

- Handling of reels in vertical and horizontal position and reels that are clear of the floor
- Manual or electric rotation, with or without gearbox
- Reels with different reel diameters, lengths and weights
- With gripping arms or expanding mandrel

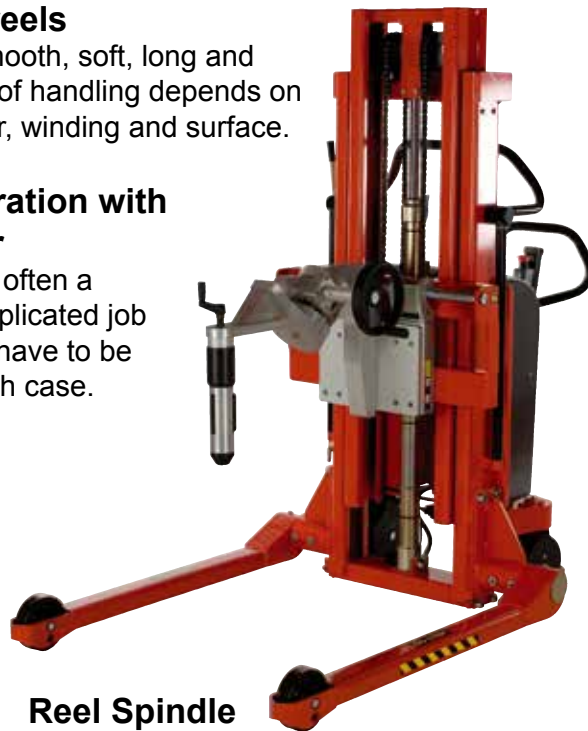


Handling of reels

Reels can be smooth, soft, long and heavy. The way of handling depends on the reel diameter, winding and surface.

Close cooperation with the customer

Reel handling is often a special and complicated job and the options have to be estimated in each case.



Reel Spindle



Rotator Reel Clamp

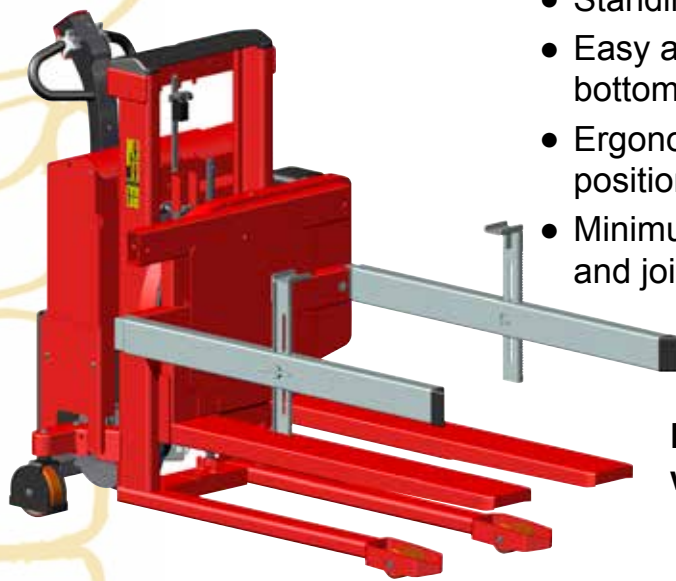


BOXES AND CRATES

Correct lifting methods when transporting, lifting, filling and emptying boxes, containers and crates...

A World of Options:

- Standing and sitting working position
- Easy access to the contents at the bottom
- Ergonomically correct working positions
- Minimum strain of back, shoulders and joints



Rotator with box holders



Avoid strain

Logitrans offers a unique range of equipment for the handling of boxes, containers and crates etc. ensuring a minimum strain of back and shoulders.

HL 1006



Logitrans has the solution

Work satisfaction and efficient work flow are always in focus when choosing a Logitrans solution!

SELFS



DRUM HANDLING

A drum is not just a drum... It is a fact that the market consists of a number of drums with different forms and measurements!



Drum turner

A World of Options:

- Handling of drums in horizontal and vertical position
- Emptying, rotating and transporting drums
- Handling of standard steel and plastic drums
- Special solutions for drums with different materials and dimensions

Logitrans helps you find the best way to handle your drum!

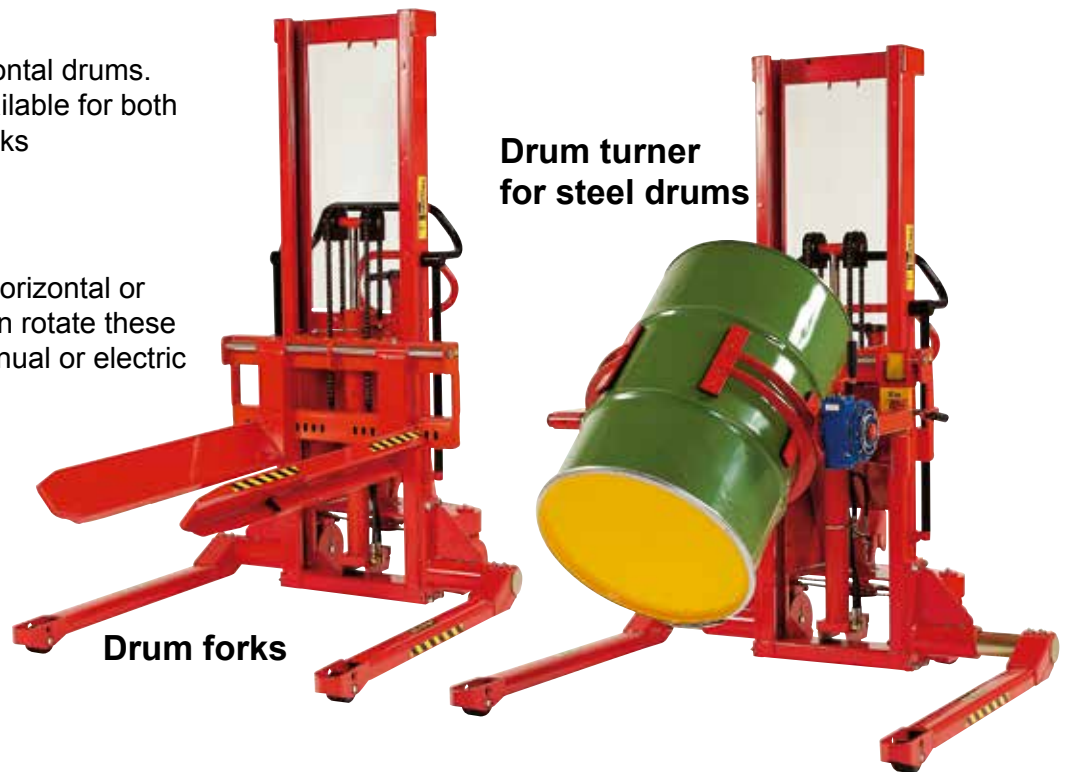


The drum forks

Lift and transport horizontal drums. The drum forks are available for both stackers and pallet trucks

The drum turner

Handles drums in the horizontal or vertical position and can rotate these 360°. Available in a manual or electric rotation model.



TRANSPORT AND LIFTING OF PALLETS

Transport of pallets in the company, in vans, stacking of goods on shelves in storage areas...

A World of Options:

- Ergonomically correct working conditions
- Manoeuvrable in restricted areas
- Efficient and quick intra-logistics



Panther Maxi

Panther Mini



Logitrans covers your handling needs!

Pallet trucks

Easy and silent transport of very heavy pallets!

Highlifters

With only one truck, a pallet can be transported and lifted to the correct working height – a unique combination!

Stackers

As an additional benefit to the combination of correct working height and transport of pallets, it is also possible to lift up to large heights!



EHL 1004



SELF MINI



...ALSO IN ENVIRONMENTS WITH SPECIFIC REQUIREMENTS

Does your company operate in an environment with specific requirements for the material handling equipment?
Logitrans can also be a help!

A World of Options:

- A large range of both stainless and semi-stainless products
- Products being easy to clean and corrosion resistant
- Long lifetime in aggressive and salty environments
- Optimum ergonomic working conditions in special environments



When choosing a product, the specific requirements have to be clarified between the customer and Logitrans.



Specific requirements:

Aggressive environments

The material has to be resistant to corrosion, acids, salts and scratches.

Strict hygiene requirements

The construction has to fulfil the strict requirements of hygiene and cleaning.

Environments, sensitive to static electricity

Surface tension has to be avoided and conductivity has to be optimised.

Clean rooms

The material handling equipment has to fulfil the requirements concerning dust particles in the air.



Explosive atmospheres

The material handling equipment has to conduct away static electricity, fulfil the stipulations of the ATEX-directive and may not be a source of ignition.



...CUSTOM-BUILT SOLUTIONS

Show us your handling problem, and together we will find the right solution!



A World of Options:

- Adjustment of our standard products
- Product variations
- Creative solutions for different requirements and industries

Flexibility is the key word!



Close cooperation with the customer

If the handling situation cannot be solved by one of our standard products, we will make you a custom-built solution based on our standard products.

Both CE marking and technical documentation are matters of course.

Also our custom-built solutions are designed, so that they ensure the user ergonomic and safe working conditions. The user will get the best and most safe handling experience!





www.interthor.com

Dealer