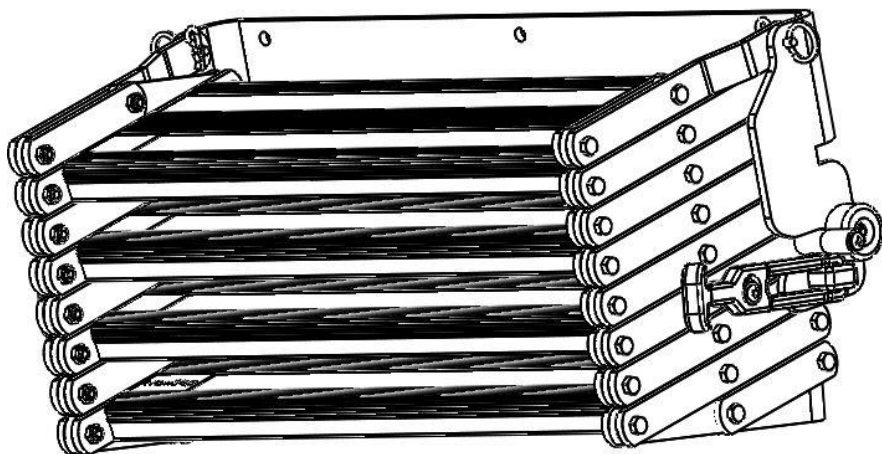


TORKLIFT INTERNATIONAL

OVER 40 YEARS OF INNOVATION, QUALITY, SAFETY.
IMPORTANT OWNER-OPERATOR INSTALLATION INSTRUCTIONS

**A7810,A7820,A7813-A7816,A7823-A7826,
A7833-A7836, A7843-A7846**

Instructions



Version (4) BY: CW

TECH SUPPORT (800) 246-8132

**AFTER INSTALL, PLEASE GIVE
THIS BOOKLET TO YOUR CUSTOMER**

Warnings

Truck Bed and Camper Protection

Torklift **does not** recommend installing your camper on top of a plastic bed liner (or other compressible material such as foam). These materials can act as a spring, causing increased vertical truck camper movement independent of the vehicle. Plastic bed liners can slide on the truck bed surface, and the truck camper can slide on top of the bed liner. Using a plastic bed liner or similar compressible material will void your warranty and may additionally cause truck bed and/or camper damage.

Minor movement or settling can occur in some incidental harsh driving conditions (on or off-road). A rubber bed mat is recommended to protect the truck bed and camper, but is not a requirement to maintain the Torklift legendary lifetime warranty.

Suspension

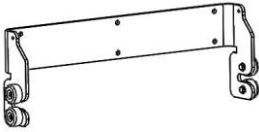
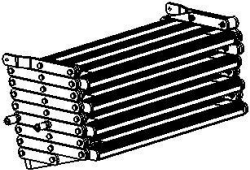

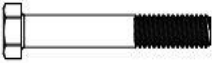

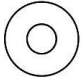
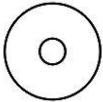
To significantly reduce body roll, sag and sway Torklift strongly recommends the StableLoad. Torklift International StableLoads improve safety, handling, and to help level your truck. More information can be found at (www.Torklift.com/stableload).











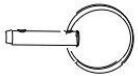

If your truck is additionally equipped with suspension air bags Torklift cautions against over pressurization as this may lead to unsafe vehicle handling characteristics. We have found that airbags used in conjunction with StableLoads have allowed operators to lower air bag pressure by 50% or more. Only pressurize suspension air bags enough to level the truck.

Weight Capacities

<i>Number of steps</i>	<i>Weight Rating</i>
3	350 lbs(158kg)
4	350 lbs(158kg)
5	300 lbs(136kg)
6	300 lbs(136kg)

Parts Inventory

Item Image	Item Description	Quantity
	Stow N' Go Bracket	1
	GlowSteps (Not included with A7810, A7820) (All Terrain landing Gear Included with A7833-A7836, A7843-A7846)	1
	3/8"-16 x 1 1/4" SS Hex Bolt	6
	3/8"-16 x 2.5" SS Hex Bolt	6
	3/8"-16 SS Hex Nut	6
	3/8" SS Washer	12
	3/8" Fender Washer	6

	3/8" SS Lock Washer	6
	3/8" Star Washer	6
	#14 x 1-1/2 SS Lag Screw	6
	1/4" SS SAE Flat Washer (2 of 8 pre-attached on A7813- A7816, A7823-A7826)	8
	3/8" Bolt Fisher	1
	Bent 3-Hole Link (Only A7810,A7820)	2
	1/4"-20 x 3 1/2" SS Socket Head Bolt (Only A7810,A7820)	4
	5/8" x 1" Nylon Spacer (Only A7810,A7820)	2
	5/8" x 1/4" Nylon Spacer (Only A7810,A7820)	8
	1/2" x 1" Nylon Spacer (Only A7810,A7820)	2
	Ring Pin (Pre-Attached on A7813-A7816, A7823-A7826)	2
	Hitch Pin Clip (Pre-Attached on A7813-A7816, A7823-A7826)	2

Installation:

Step 1:

Unpin the 1/4" ring pins from the top of the mounting bracket, then remove the steps from the bracket by pulling the rubber handles away and upward from the middle studs. See *Figure 1.1*.

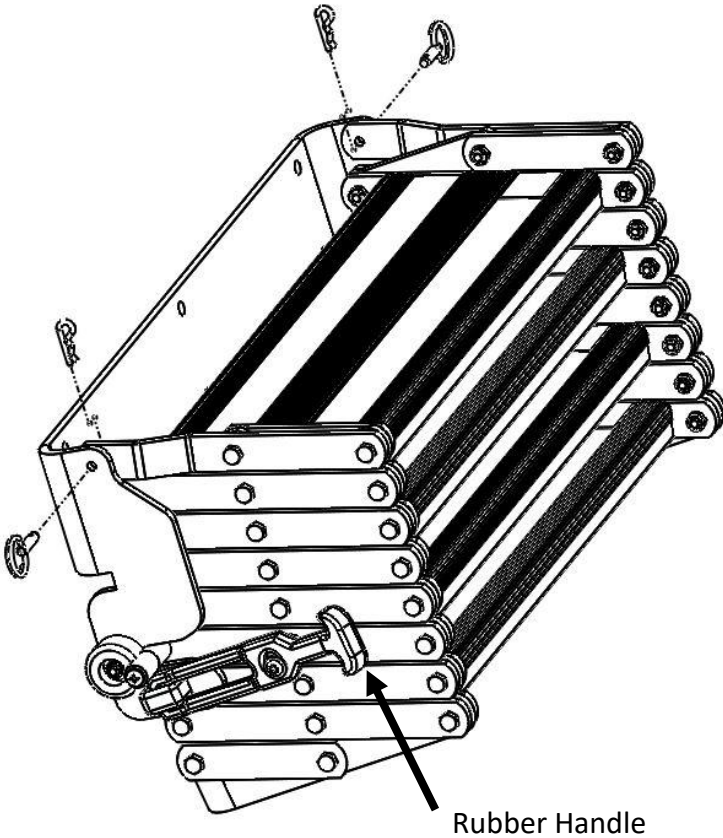


Figure 1.1

The mounting method and location for the Stow N' Go Bracket will depend on your application. Before proceeding, check to make sure your chosen mounting surface is solid.

- Option A: Mounting the Stow N' Go to the face of a bumper.
 - In Option A, the steps will be stored vertically
 - Proceed to step 2A
- Option B: Mounting the Stow N' Go directly to the back wall of the camper, when the back side of the wall *is* accessible (for campers not equipped with a bumper).
 - requires a 19.5" x 3.5" mounting area below the door
 - In Option B, the steps will be stored vertically
 - proceed to step 2B
- Option C: Mounting the Stow N' Go directly to the back wall of the camper, when the back side of the wall *is not* accessible (for campers not equipped with a bumper)
 - requires a 19.5" x 3.5" mounting area below the door
 - In Option C, the steps will be stored vertically
 - proceed to step 2C

Step 2A

This mounting method assumes that the bumper is open on at least one end, or the backside of the mounting surface is accessible.

- Use the Stow N' Go Bracket as a template, and mark the six $7/16$ " hole locations onto the bumper using a felt tip pen or permanent marker.
- Drill the six holes using a $7/16$ " (11mm) drill bit.
- Place the coiled end of the **$3/8$ " Bolt Fisher** through the top middle hole. Feed the bolt fisher through the hole until the coiled end of the bolt fisher becomes accessible from either end of the bumper.
- Attach one **$3/8$ "-16 x 1-1/4" SS Hex Bolt** with one **$3/8$ " Star Washer** to the coiled end of the **$3/8$ " Bolt Fisher** as shown in *Figure 2A.1*.

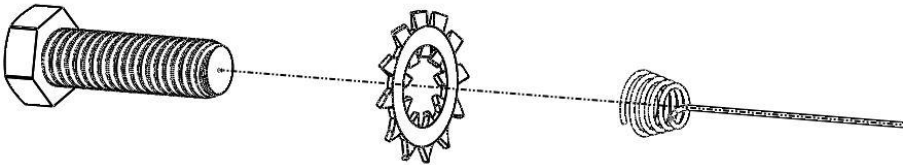


Figure 2A.1

- Pull the straight end of the bolt fisher until the **3/8"-16 x 1-1/4" SS Hex Bolt** protrudes out from the top middle hole. It may be necessary to jiggle the bolt fisher to get the bolt to pass through the hole.
- With the bolt fisher still attached to the bolt, place the mounting bracket over the bolt.
- Carefully remove the **3/8" Bolt Fisher** from the **3/8"-16 x 1-1/4" SS Hex Bolt**, then secure the bolt with one **3/8" SS SAE Flat Washer**, one **3/8" SS Lock Washer**, and one **3/8"-16 SS Hex Nut**. See *Figure 2A.2*.

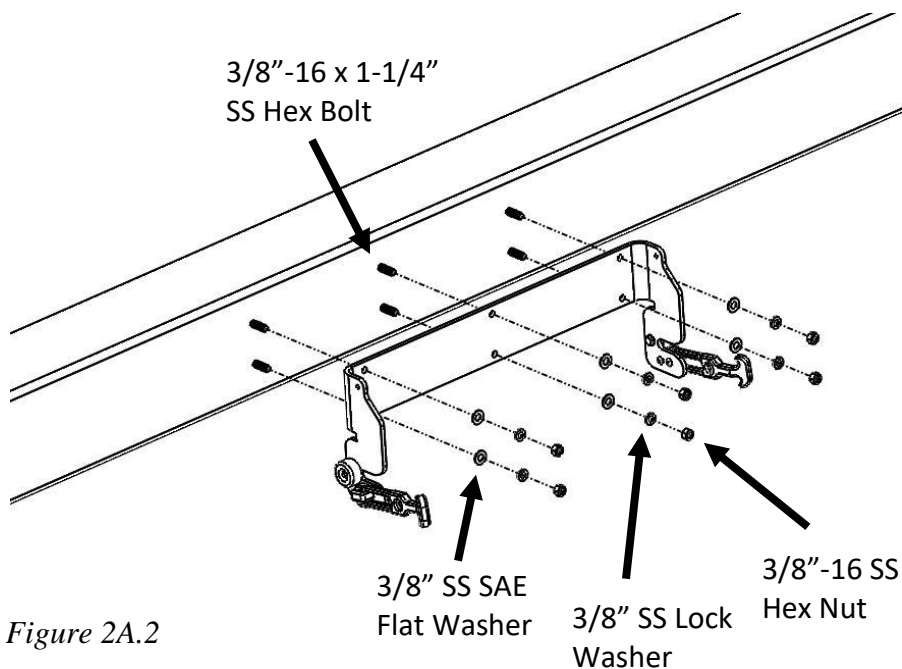


Figure 2A.2

- Repeat the bolt fishing process to install the remaining five bolts.
- Torque all **3/8" SS Hex Nuts** to 30 ft-lbs.
- If you purchased A7810 or A7820, proceed to step 3. If you purchased A7813-A7816 or A7823-A7826, proceed to step 6.

Step 2B

Note: Not all campers are built the same way. It is up to the customer to determine the strength and suitability of the material the step bracket is to be mounted to.

- Use the step mounting bracket as a template, and mark the six 7/16" hole locations onto the camper using a felt tip pen or permanent marker.
- Drill the six holes using a 7/16"(11mm) drill bit.
- Place a **3/8"-16 x 2-1/2" SS Hex Bolt** with one **3/8" SS SAE Flat Washer** through the top middle hole of the step mounting bracket and through the top middle hole in the camper as seen in *Figure 2B.1*.

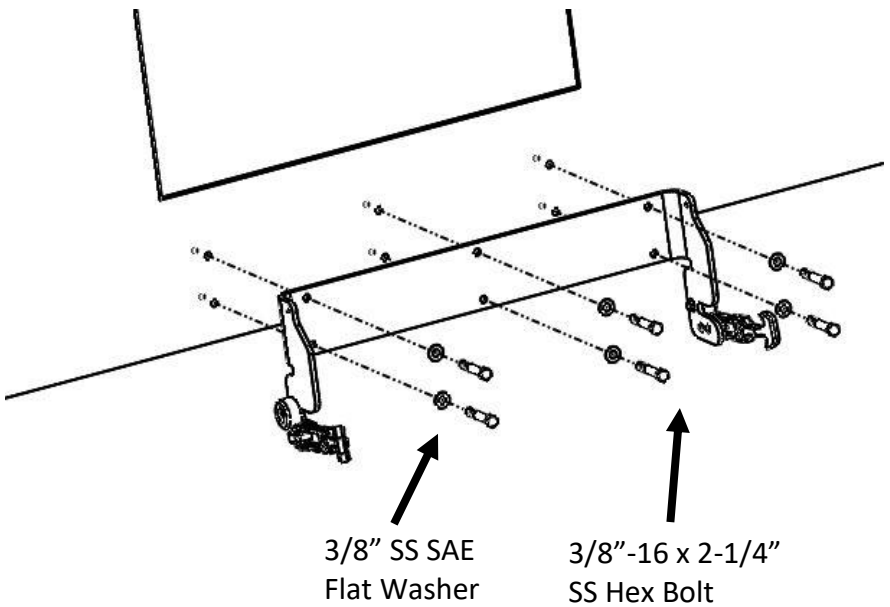


Figure 2B.1.

- Secure the **3/8"-16 x 1-1/2" SS Hex Bolt** with one **3/8" Fender Washer**, one **3/8" SS Lock Washer** and one **3/8"-16 SS Hex Nut** as seen in *Figure 2B.2*.
- Seal the Step Mounting Bracket with Silicone sealer around each hole.

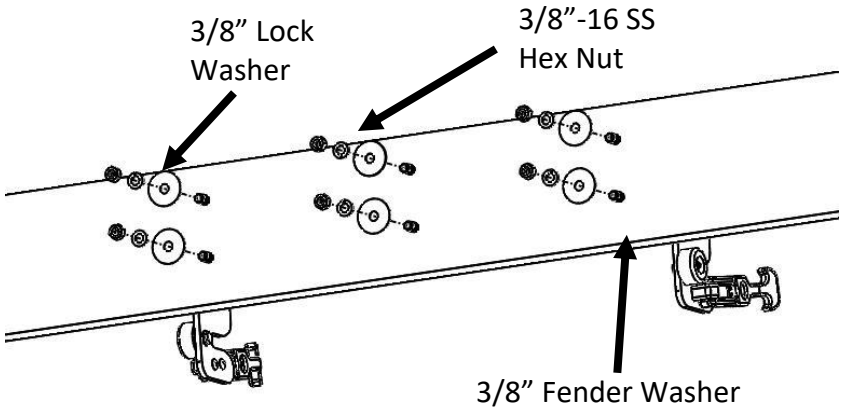


Figure 2B.2 (as seen from under the driver-side of the camper)

- Repeat the process on the remaining 5 bolts. Torque all hardware to 20 ft-lbs.
- If you purchased A7810 or A7820, proceed to step 3. If you purchased A7813-A7816 or A7823-A7826, proceed to step 6.

Step 2C

Note: Not all campers are built the same way. It is up to the customer to determine the strength and suitability of the material the step bracket is to be mounted to.

- Use the step mounting bracket as a template, and mark the six 7/16" hole locations onto the camper using a felt tip pen or permanent marker.
- Drill the six holes using a 1/8"(3mm) drill bit.
- Secure the mounting bracket to the camper with one **#14 x 1-1/2" Lag Screw** and one **1/4" SS SAE Flat Washer** per hole.
- Tighten the screws until they are snug.
- Seal the Step Mounting Bracket with Silicone sealer around the holes to prevent water damage to your camper.
- If you purchased A7810 or A7820, proceed to step 3. If you purchased A7813-A7816, A7823-A7826, A7833-A7836, or A7843-A7846 proceed to step 6.

Step 3: Converting Standard GlowSteps to work with the Stow and Go Bracket.

- Remove the top inner **flat 3-hole link** from your GlowSteps as shown in *Figure 3.1*.
- Reinstall all hardware using the **Bent 3-Hole Link** as shown in *Figure 3.2*. The **Bent 3-Hole Link** should be on the outside with the bend towards the outside.
- Make sure the Anti-Friction washers are in place and the links move freely after tightening the **1/4"-20 x 1-1/16" Bolts** and **1/4"-20 Nylock Nuts**.

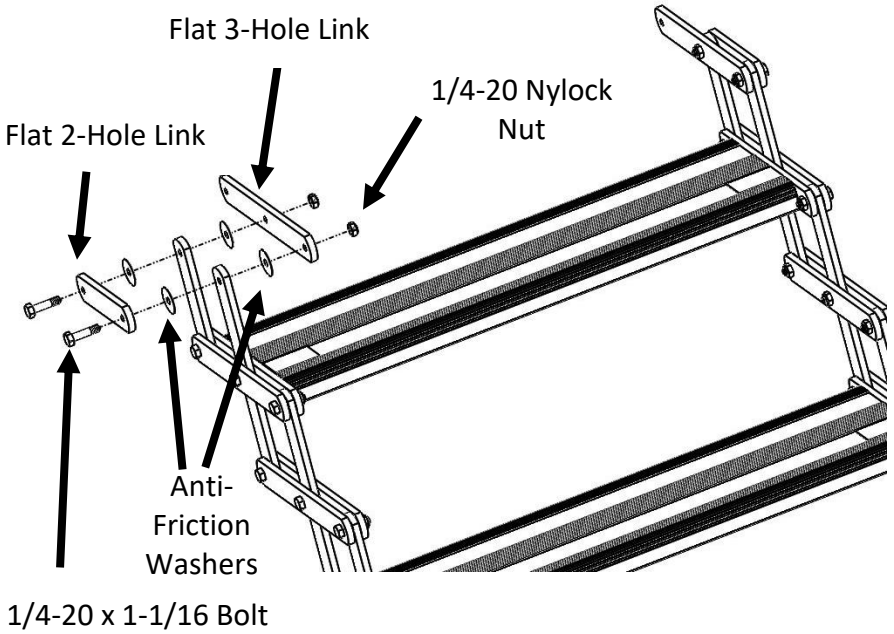


Figure 3.1

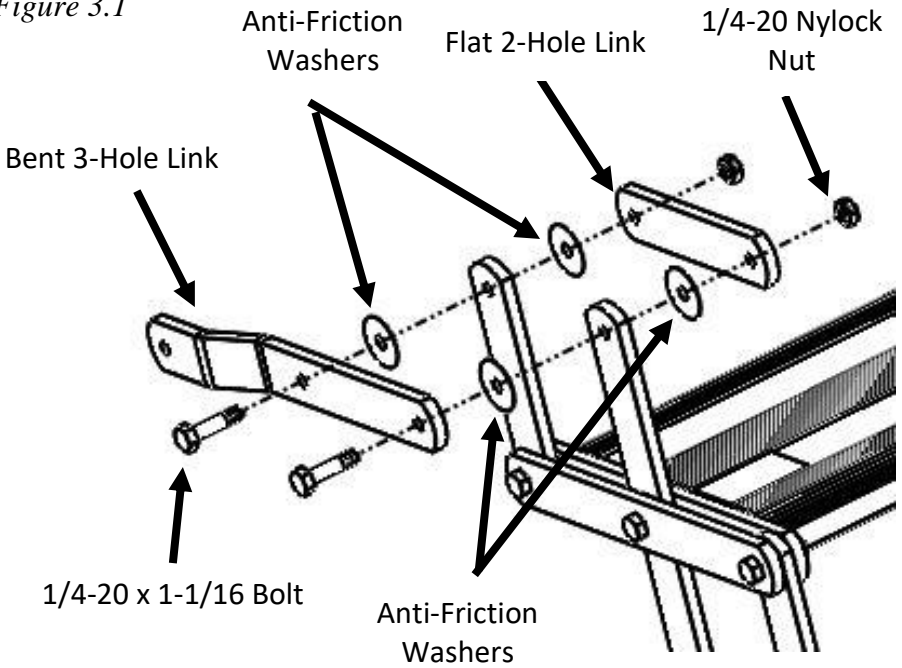


Figure 3.2

Step 4

- Clamp the step links together with a pair of locking pliers or similar so that the anti-friction washers do not fall out before proceeding.
- Remove the rear 1/4"-20x1-1/16" bolt from the third step as shown in *Figure 4.1*.
- Install the **1/4"-20 x 3 1/2" SS Socket Head Bolt** with one **5/8" x 1" Nylon Spacer** and the two **5/8" x 1/4" Nylon Spacers** as shown in *Figure 4.2*.
- Be sure the anti-friction washers are still in place, then tighten the original **1/4" Nylock Hex Nut** until snug. Check to make sure that the steps continue to operate easily.
- Repeat the process on the opposite side.

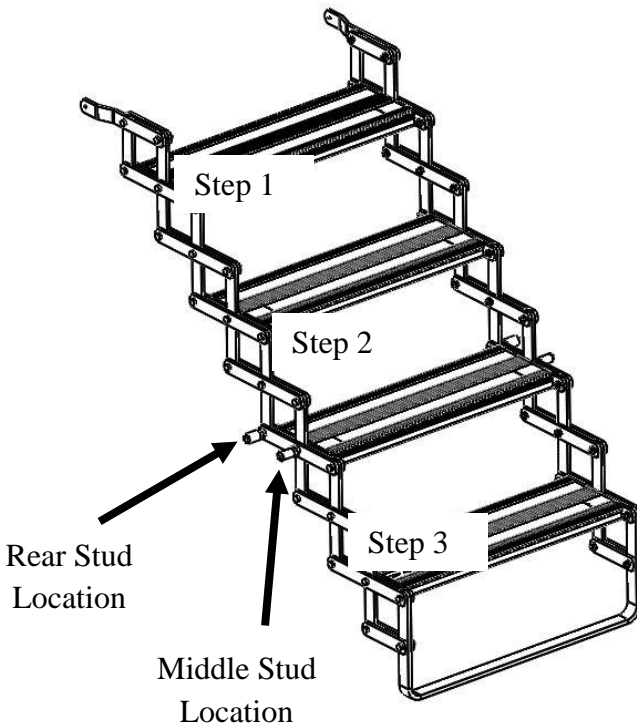


Figure 4.1

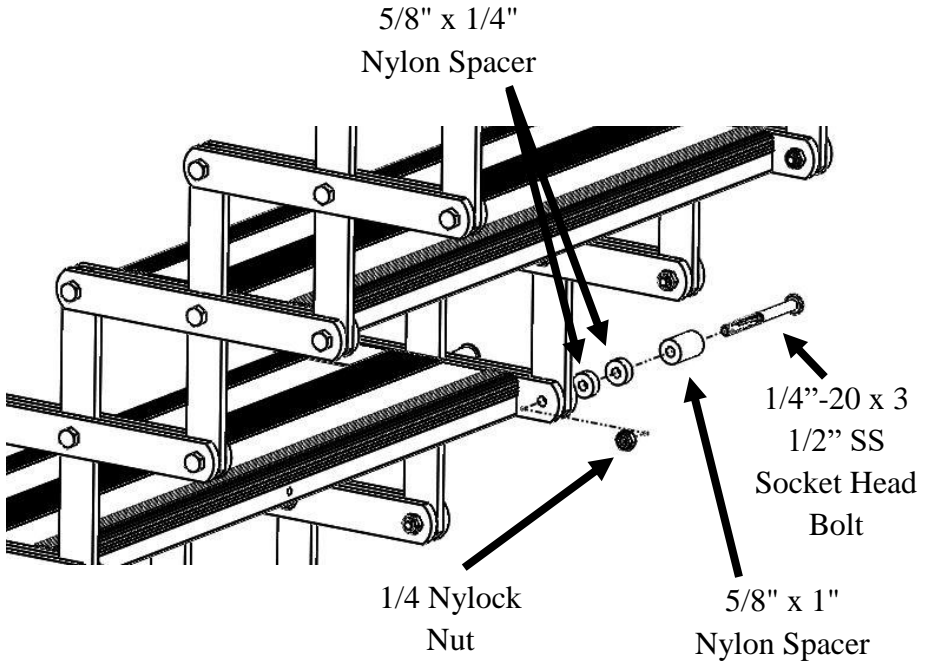


Figure 4.2

Step 5

- Remove the middle 1/4"-20x1-1/16" bolt from the third step as shown in *Figure 4.1* and *Figure 5.1*.
- Install the **1/4"-20 x 3 1/2" SS Socket Head Bolt** with two **5/8" x 1/4" Nylon Spacers**, one **1/2" x 1" Nylon Spacer** and one **1/4" SS SAE Washer** as shown in *Figure 5.2*.
- Make sure the anti-friction washers are still in place, then tighten the original **1/4" Nylock Hex Nut** until snug.
- Check to make sure that the steps continue to operate easily.
- Repeat the process on the opposite side.

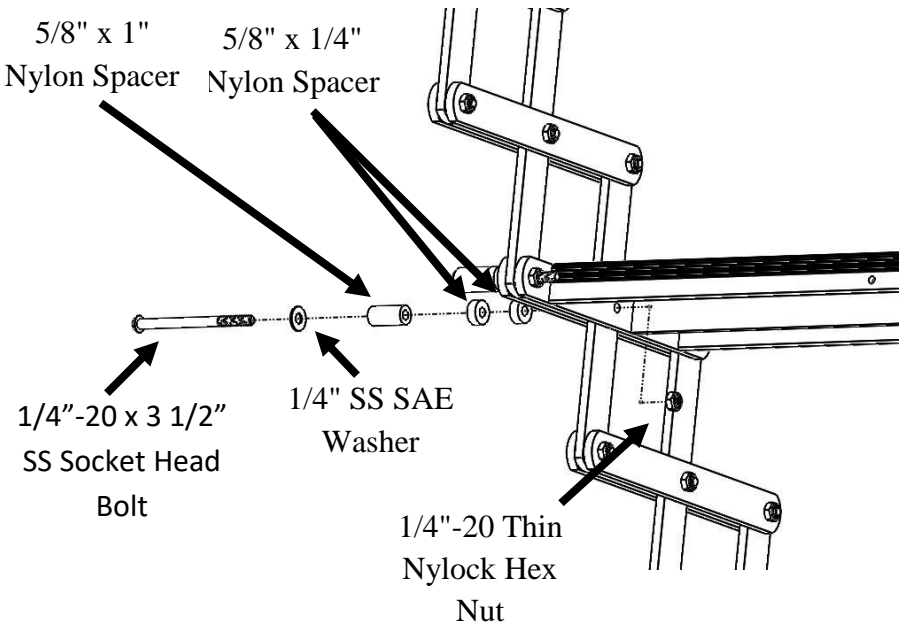


Figure 5.1

Step 6

Extend the Glowstep assembly, then use the **1/4" Ring Pins** and **Hitch Pin Clips** to secure the top of the glow steps to the **Stow and Go Bracket** as shown in *Figure 6.1*.

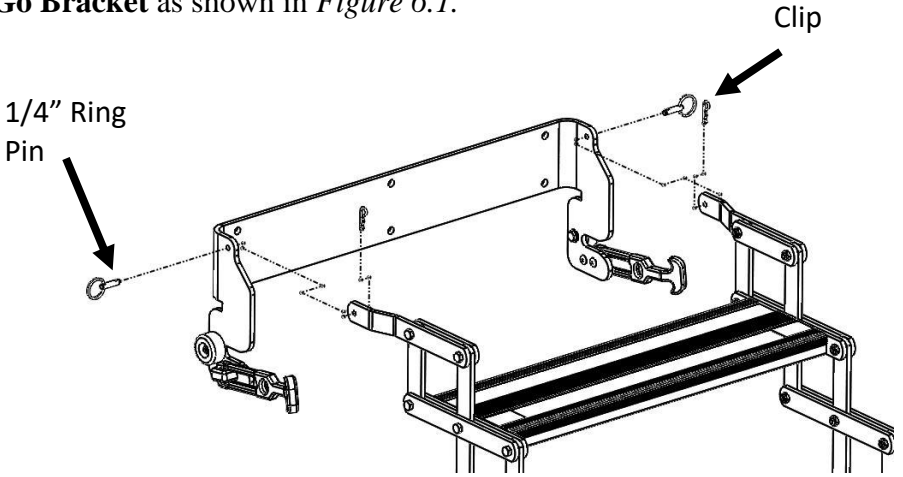


Figure 6.1

Step Operation:

A - Storing the Steps

- Lift the bottom of the steps up until they are roughly level with the top of the mounting bracket.
- Push the bottom step towards the mounting bracket until the Glowsteps are fully collapsed.
- Rotate the steps down until the rear nylon studs on either side of the GlowSteps rest against the rubber bumpers on the mounting bracket. See *Figure A.1*.
- Pull the Rubber Handle out and over the middle nylon stud as shown in *Figure A.1*.

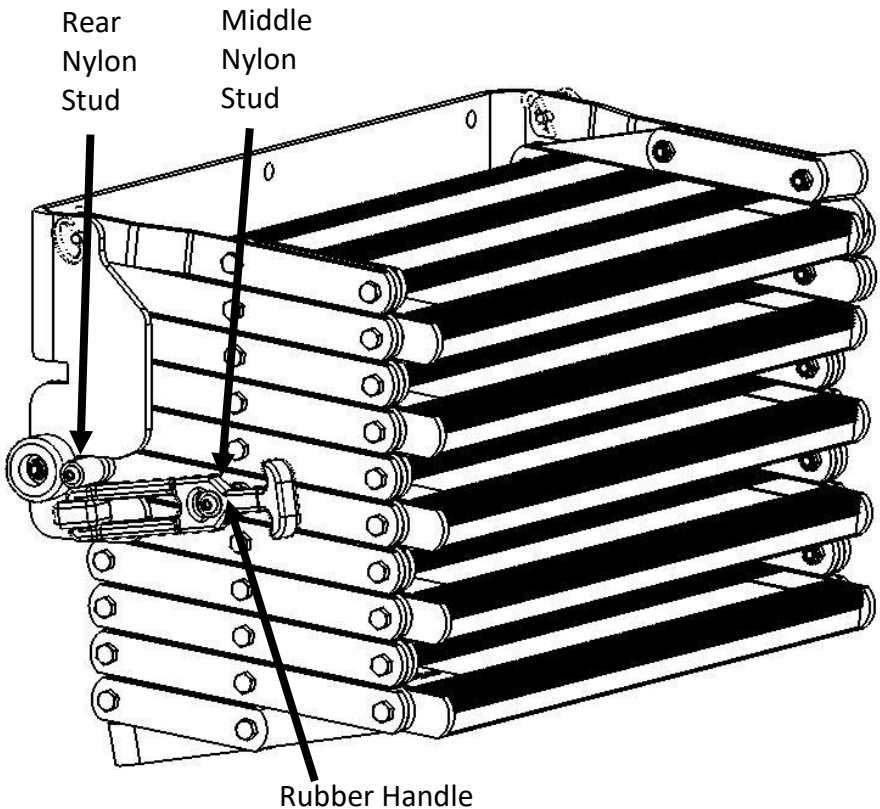


Figure A.1

B - Deploying the Steps

- Pull the Rubber Handles out and away from the middle nylon studs.
- Pull the steps away from the mounting bracket until the Nylon Studs are no longer in contact with the mounting bracket.
- Pull the bottom step away from the camper until the scissor links are roughly perpendicular to each other.
- Set the steps on the ground

C- All Terrain Landing Gear

- The All Terrain Landing Gear is preinstalled with the A7833-A7836 and A7843-A7846 Stow and Go models. All Terrain landing Gear are also available as a separate purchase (PN A8000) and compatible with all Torklift Glow Steps.

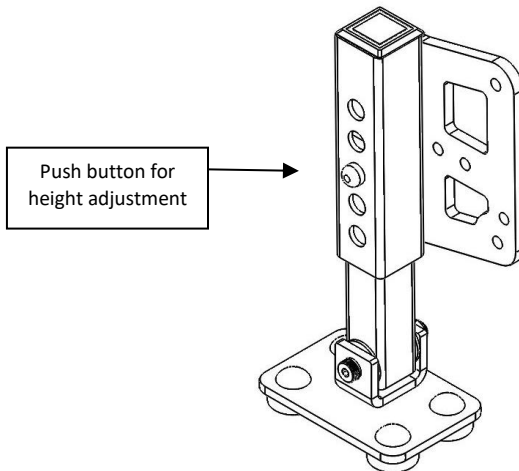


Figure 6.1

- Each foot of the All Terrain Landing Gear can be adjusted to different heights by the adjustment button (figure 6.1). Each Landing Gear can be adjusted independently to level the steps on uneven terrain. The feet do not need to sit perfectly flat on the ground.
- *The leveling feet do not need any lubrication to function properly. They may be disassembled once per season or as often as needed to remove any dirt and debris from between the inner and outer telescoping tubes.*

Torklift International Limited Lifetime Warranty Information

322 Railroad Ave North, Kent, WA 98032

Torklift will require proof of purchase to register, with pictures of any defective product before issuing a replacement. Torklift will not register any product without proof of purchase, which can be faxed, scanned, emailed, or mailed to the information provided below. Torklift warrants its hitches, custom hitch receivers, frame mounted tie downs, turnbuckles, and accessories (excluding wire harnesses which carry a 90 day warranty) from date of purchase against defects in material and workmanship under normal use and service for the ownership life of the original consumer purchaser. All plastic, rubber, and/ or electrical components maintain a warranty of up to one year from the date of the purchase. **ALL COMMERCIAL APPLICATIONS ARE WARRANTED FOR A PERIOD OF 90 DAYS FROM THE DATE OF INSTALLATION/SERVICE.** Torklift will replace **FREE OF CHARGE** any part which proves defective in material or workmanship when presented to Torklift, **TRANSPORTATION CHARGES PREPAID** by purchaser, at the address above. **THIS WARRANTY IS LIMITED TO DEFECTIVE PARTS REPLACEMENT ONLY. LABOR CHARGES AND/OR DAMAGE INCURRED IN INSTALLATION OR REPLACEMENT, AS WELL AS INCIDENTAL AND CONSEQUENTIAL DAMAGES CONNECTED THEREWITH ARE EXCLUDED.** This warranty does not include the finish or paint on our products. Rusting, cracking or peeling of the finish is also excluded. Some states do not allow the exclusion or limitation of incidental or consequential damages, so the above limitation or exclusion may not apply to you. Any damage to Torklift products as a result of misuse, abuse, neglect, accident, improper installation or any use violative of instructions furnished by Torklift or **WHEN USED IN ANY COMMERCIAL APPLICATION WILL VOID THE WARRANTY.** This warranty gives you specific legal rights, and you may also have rights which vary from state to state. With warranty service, you may be able to go to a small claims court, a state court or a federal district court.



INTERNATIONAL

**322 Railroad Ave North, Kent, WA
98032**

**Phone (800) 246-8132 Fax (253) 854-
8003**

Or visit our website: www.TorkLift.com

Dear Valued Customer,

Thank you for making TorkLift your choice for truck, camper packages and accessories for your vehicle. By choosing TorkLift products, you have chosen a company that has been serving the RV industry for nearly 40 years and whose name has become synonymous with strength, quality and advanced design and installation.

Please take a few moments of your time to complete the Product Registration Warranty Card on the next page. When registering your newly purchased TorkLift products, you can be assured that your contact information is secure and that you and your product are getting the attention and respect that you deserve.

Thank you again for choosing TorkLift quality products.

**Register for your lifetime warranty and receive a free
Torklift International gift.**

To Fax: Send copies of the questionnaire, warranty card and receipt to
253-854-8003

To E-mail: Send copies of the questionnaire, warranty card and receipt to
warranty@torklift.com



To Mail: Send to Torklift International 1901 Fryar Ave Sumner, Wa 98390

OFFICIAL WARRANTY REGISTRATION CARD

322 Railroad Ave North, Kent, WA 98032

PLEASE FILL OUT THIS FORM COMPLETELY AND RETURN TO TORKLIFT WITHIN
30 DAYS OF PURCHASE ACCOMPANIED BY A COPY OF YOUR ORIGINAL RECEIPT

1. PART(S) PURCHASED

TODAY'S DATE: _____

PART#: _____ PART#: _____
PART#: _____ PART#: _____
PART#: _____ PART#: _____

2. PURCHASER INFORMATION

NAME: _____
ADDRESS: _____

CITY: _____ STATE: _____ ZIP / POSTAL CODE: _____
PHONE: (____) _____ - _____ EMAIL: _____

3. TRUCK INFORMATION

YEAR: _____ MAKE: _____
MODEL: _____ BED LENGTH: _____

4. CAMPER INFORMATION

YEAR: _____ MAKE: _____ MODEL: _____

5. DEALER INFORMATION

PURCHASED FROM: _____
ADDRESS: _____

CITY: _____ STATE: _____ ZIP / POSTAL: _____
INSTALLED BY: _____ OWNER _____ ABOVE DEALER _____ ANOTHER DEALER _____

IF ANOTHER DEALER, WHO: _____