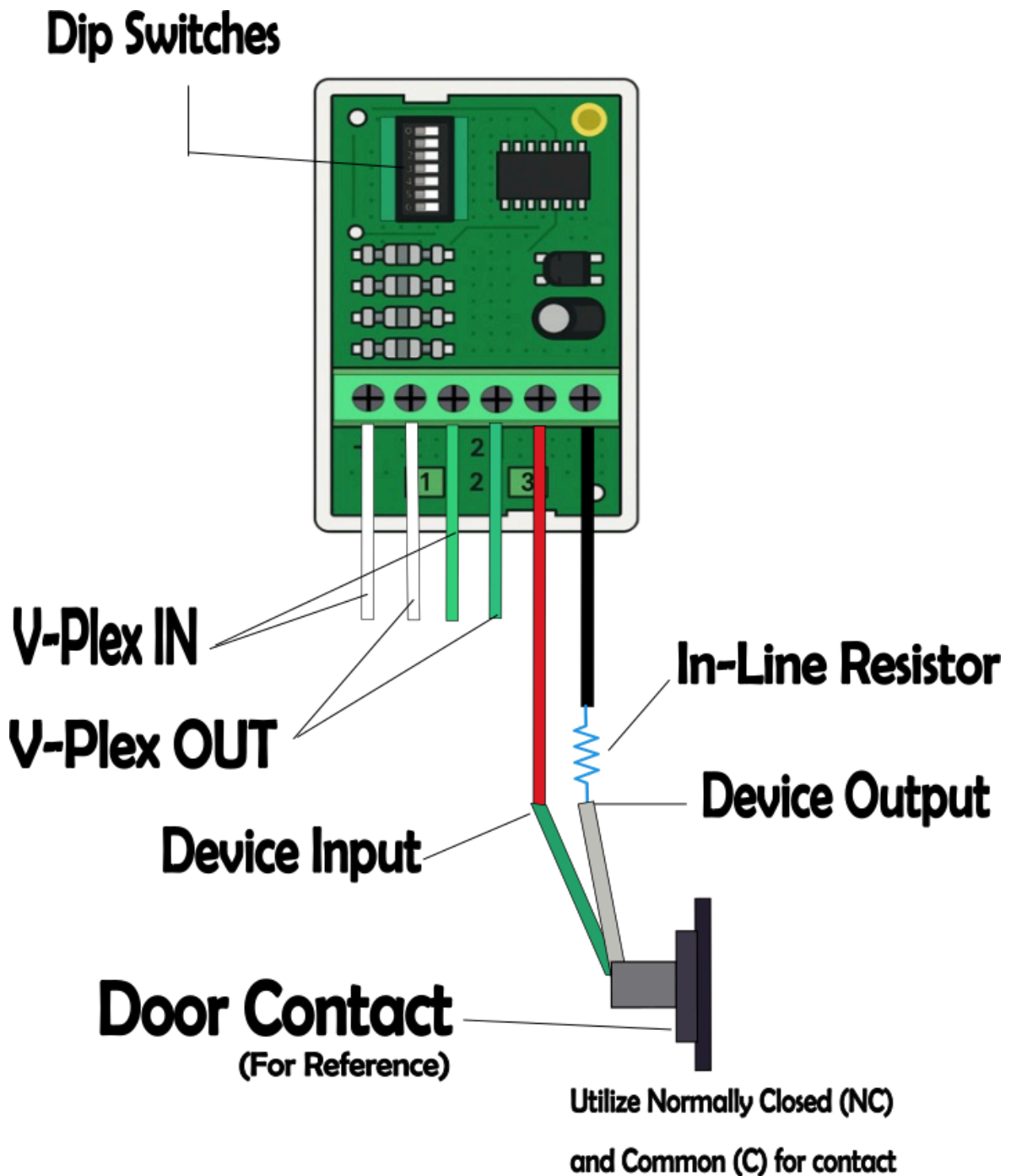




V-Plex Security Polling Loop

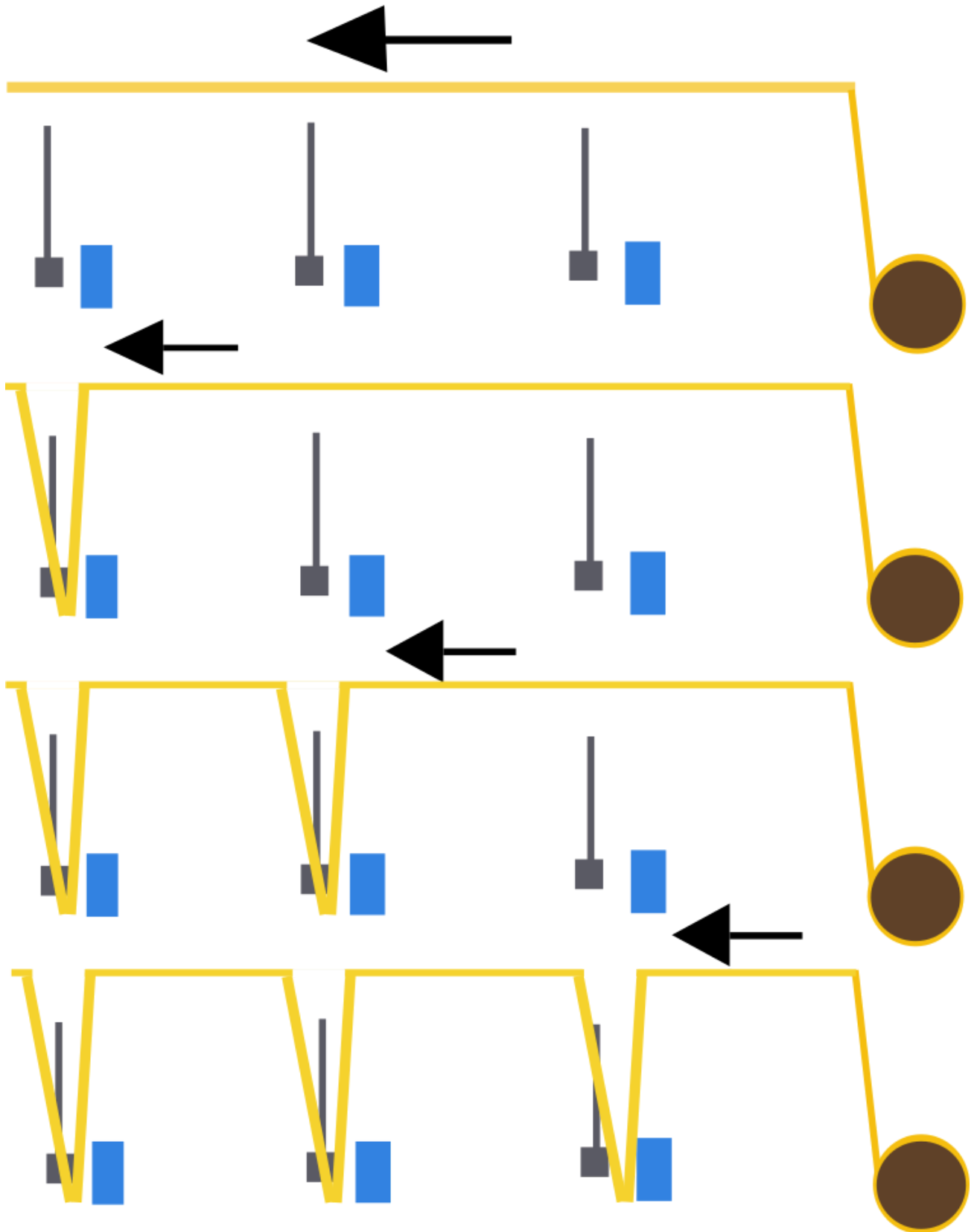


- **Control Panel:** Manages the V-Plex polling loop and communicates with connected devices
- **POPIT Modules:** Addressable devices that interface sensors to the polling loop.
- **Tamper:** Ensures no bypass to the device, if cover is removed a trouble is sent to panel.
- **End of Line (EOL) Resistor:** Supervises the integrity of the wiring from **Door Contact/Motion/Panic Button** to POPIT.

Wiring Steps:

1. **Connect the Polling Loop:**
 - Run a two-wire polling loop (16/2 or 18/2 cable) from the control panel to the first POPIT module.
 - Continue the loop from the first to the second, and then to the third POPIT module and so on.
 - Each POPIT has an End Of Line (EOL) device it monitors.

SECURITY LOOP EFFICIENT PULL STRATEGY



2. Assign Addresses:

- Each POPIT module requires a unique address for the control panel to identify individual devices.
- Refer to the POPIT module's installation instructions to set addresses, typically done via DIP switches or programming modes.

3. Install the EOL Resistor at each POPIT:

- Place the specified EOL resistor after each POPIT module. This resistor value is crucial and should match the control panel's requirements to ensure proper supervision.

Additional Considerations:

- **Wiring Limits:** Ensure that the total length and current draw of the polling loop do not exceed the control panel's specifications. For detailed wiring limits, consult device specific resources.
- **Device Compatibility:** Confirm that the POPIT modules are compatible with your specific control panel model.
- **Programming:** After physical installation, program the control panel to recognize each POPIT module by its assigned address and configure the corresponding zones appropriately.

For comprehensive guidance, refer to the installation manuals provided with your control panel and POPIT modules.