



CONSERVATORIES & ORANGERIES

Designed for faster smoother installation.
Engineered for trouble-free performance.

eurocell®

CONSERVATORY, ORANGERY & ROOFING SYSTEMS



SAVE TIME

- ▶ **Quicker & easier installation**
Easy and quick installation in just 2 days.
- ▶ **Quotes & amends in under an hour**
We aim to get quotes and amends back to you within the hour.
- ▶ **Flexible lead times to suit you**
Tell us when you need it and it will be there. Average delivery time of under 5 days.



SAVE HASSLE

- ▶ **On-site support for peace of mind**
Our qualified engineers can assist with surveys and on-site installation training.
- ▶ **Leading technical support**
A dedicated support network to assist you throughout the process.
- ▶ **Roofs delivered on time in full**
Last year over 99% of our roofs were delivered on time in full to our customers.

Contemporary or traditional, you can create desirable living spaces for your customers with the Eurocell conservatory roof system

Impress customers and end-users with space-enhancing conservatories

Conservatories are the ideal way to extend any home, providing a bright, airy room that connects house and garden, giving busy households some valuable extra space. Eurocell offers a full range of conservatory roof systems, fully compatible with all our high-performance doors

and windows – enabling you to offer a complete conservatory fabrication and installation service for your customers. And with Eurocell, you can source all the doors, windows and roof components you need to create eye-catching conservatories.

Designed for faster, smoother installation

Designed with speed and ease of installation and fabrication, the Eurocell conservatory roof, pilaster and highline gutter systems are one of the most advanced, user friendly systems on the market.



BESPOKE SOLUTIONS



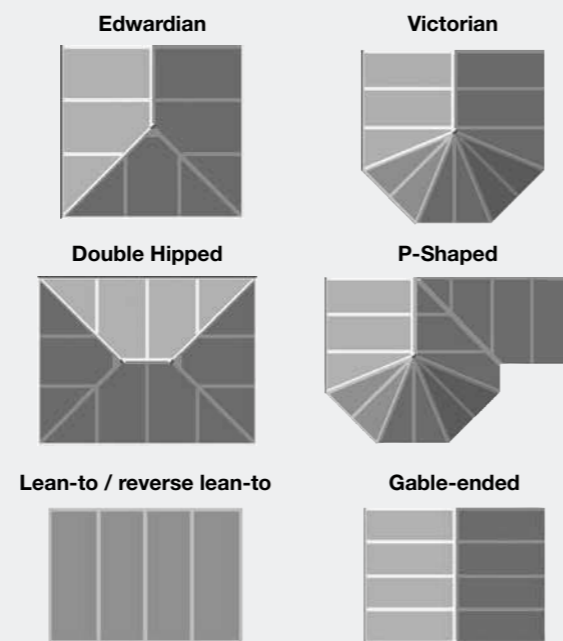
WHY CHOOSE EUROCELL ROOFS?

<p>Designed for superior performance</p>	<p>Fast, accurate installation</p>	<p>Glass U-value as low as 1.0W/m²K*</p>	<p>Variable pitches between 2.5 - 45°</p>
<p>A choice of frame, glass and polycarbonate colours</p>	<p>Available sprayed to any RAL colour</p>	<p>Delivered in 5 working days*</p>	<p>10-year guarantee</p>

Roofs to suit all building types – from traditional to contemporary

Whatever style, size or configuration of conservatory your customers require, Eurocell can supply the components to create the outdoor room of their dreams. Our bespoke conservatory solution enables you to fabricate any conservatory design, or you can choose from our range of classic styles, including Victorian, Edwardian, gable-ended and contemporary conservatories. For a more cost-effective, but equally high-quality conservatory, you can choose our lean-to style.

Bespoke designs to suit any property.



MODERN SPACES FOR MODERN HOMES



A modern conservatory for the 21st century

Our latest contemporary conservatory design uses a combination of our exclusive pilaster system, our slimline roof system and our modern highline gutter to create a conservatory for the 21st century.

The pilasters consist of structural posts jointing standard window frames which are glazed with an insulating panel. The external is clad with either Coastline or Ecoscape cladding which are available in a range of colours. The internal can be either plastered or clad with a decorative panel.

Our conservatory roof system has been reinvented with thinner ridge system giving a more contemporary look to our latest roof system.

The highline gutter finishes the look, creating a stunning modern look on a conservatory which has a superior thermal performance allowing year round use.



Modern conservatory pilaster, highline gutter and slimline conservatory roof system

MARKET-LEADING FEATURES



Pilasters

- ▶ Utilises window frame and insulation board creating a strong, well insulated construction.
- ▶ The pilasters can be clad externally with Coastline horizontal or Ecoscape vertical cladding options to give a modern, low maintenance finish.
- ▶ EWS120 PVC Corner Posts with EWS520A reinforcing give the conservatory a sturdy construction.
- ▶ No thin steel, aluminium or GRP trims which can be easily damaged.
- ▶ Internal finish can be easily plastered or cladded to suit the customers preference.
- ▶ Corner posts and 40mm in-line couplers allow installation of jacks if required.



Slimline Conservatory Roof System

- ▶ Allows you to create a more contemporary look to your conservatory design thanks to a thinner roof structure.
- ▶ Reduces sightlines for smaller conservatories.
- ▶ Maximum width 5.5m (based on 0.6 kn/m2)
- ▶ Ridge to wall flashing trim available in White and Anthracite Grey.



Highline gutters

- ▶ Contemporary look which complements the slimline conservatory roof.
- ▶ Powder coated Aluminium, available in White and Anthracite Grey.
- ▶ Suitable for internal and external 90 degree corners only.
- ▶ The vertical position of the gutter base allows easy installation onto full height brick walls without the requirement for additional cills, creating clean modern aesthetics.



TRADITIONAL

DESIGN CLASSICS FOR TIMELESS AESTHETICS

Turn back the clock with our classic conservatory collection

Our Victorian and Edwardian conservatory ranges give you a fast, easy fit with minimal gluing and sealing. And give your customers a bright, sunny extension to their living space with the charm and elegance of another age.

The extra finishing touches

Ornamental features like Jacobean or Regency finials and crests are a great way to add an extra flourish. Even structural components like box gutter supports can add to the ambience when you choose our decorative gallows brackets.

More colours to choose from

Along with the standard colour range of Brilliant White, Cream, Rosewood, and Golden Oak, our traditional conservatory systems also give you the option of four special colour specifications - Irish Oak, Black, Anthracite Grey and Chartwell Green - for even more choice and genuine period detail.

**FOR THE FULL COLOUR RANGE
PLEASE SEE PAGE 10**

Orangery Appeal

The Eurocell Lusso system lets you create a faux orangery style roof to heighten the appeal of our Victorian, Edwardian and P- Shaped conservatories still further.

Available pre-fabricated or in kit form, it also brings an extra touch of elegance to the inside in the shape of a continuous box-section pelmet at the internal roof perimeter crests are a great way to add an extra flourish. Even structural components like box gutter supports can add to the ambience when you choose our decorative gallows brackets.



Lusso orangery-style internal roof pelmet system



COLOURS TO FRAME THE VIEW

CO-ORDINATING WITH THE EUROCELL RANGE

Colours to frame the view

Like all Eurocell PVC-U products, the our conservatory roof system comes with an exact colour-match guarantee. That means the colour is precisely matched to all Eurocell window, door and roofline products, creating a co-ordinated, uniform look across any property.

A range of external colours (shown below) is available to complement your customers' existing windows and doors, as well as a choice of polycarbonate and glass options.

When required, Eurocell conservatory roofs can be specified with a complete range of fully foiled components. This includes foil finishes to the external ridge top capping, ridge ends, half ridge capping and valley capping – providing a unique and continuous finish. Aluminium foiled glazing bar top caps are also available.

The Eurocell Pilaster system is available in a choice of 2 Coastline cladding and 3 Ecoscape vertical cladding options. These colours have been specifically selected to match and work with current conservatory colour trends.

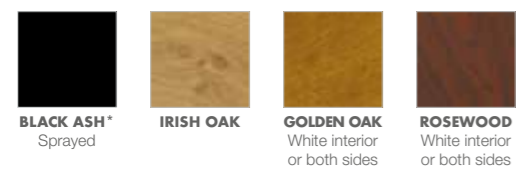
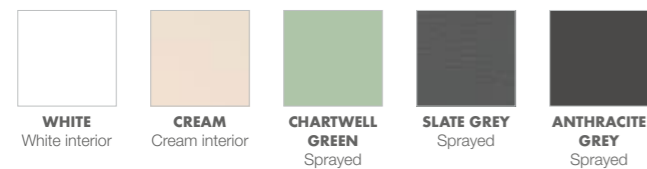
Ten-year guarantee

The Eurocell conservatory roof system is guaranteed for ten years. That means you can give your customers the assurance of a robust, well-designed, precision-made product that's built to last – manufactured by the UK's leading PVC-U specialist.

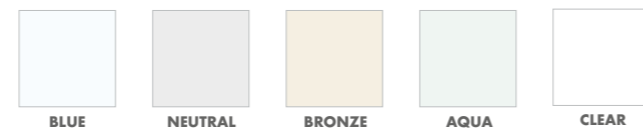


TRADITIONAL, LUSSO & EQUINOX

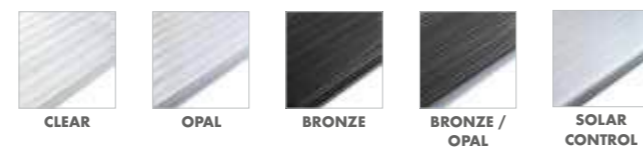
PROFILE COLOURS



GLASS COLOURS



POLYCARBONATE COLOURS



CONTEMPORARY CONSERVATORY

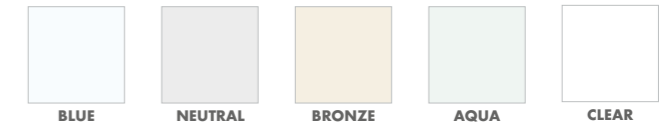
SLIMLINE ROOF COLOURS



PILASTER COLOURS



GLASS COLOURS



HIGHLINE GUTTER COLOURS



INTELLIGENT DESIGN

CREATES AN ADVANCED CONSERVATORY ROOF SYSTEM



Bottom caps in three pitch variants

Bottom caps are produced in three different pitch variants for maximum compatibility. This means that when installing or fabricating a standard 25° pitch conservatory, no cutting of the bottom cap is required.

Spider bars enable easy construction

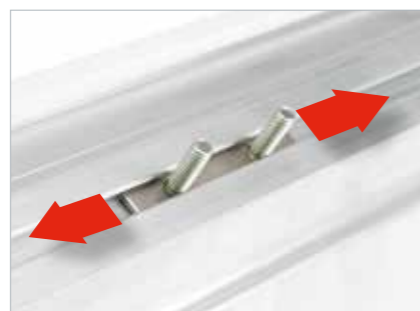
Spider end mouldings allow all glazing bars fitted onto the front of the ridge to be square cut. These are factory fitted and slide into the end of the rafter bars ready to be hooked over the spider bar bracket, before the final tightening of the grub screw. This method of construction is quick, easy and reliable. To ensure optimum weather performance, a patented foam ridge end cover is also provided to minimise any reliance on silicone sealing.

Designed to make installation simple

All our conservatory roofs come well marked up and pre-drilled to make installation as simple as possible.



Box section eaves beam allows glazing pitches between 2.5-45°



Easy slide fixing for rafters



Silicone-free box-gutter adaptors



A range of wall plates for flexibility



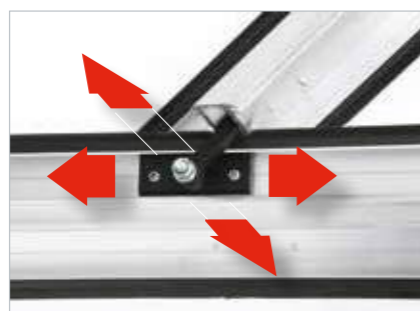
Virtually silicone-free ridge options



Patented ridge radius end assembly



A variety of rafter bars



No-notch jack rafters can be 4-way adjusted on-site



Variable angle valley



Stainless steel tie wires offer a modern alternative to traditional tie bars



Leak-free and silicone-free box gutter adaptors



Sculptured eaves designed for greater consumer appeal

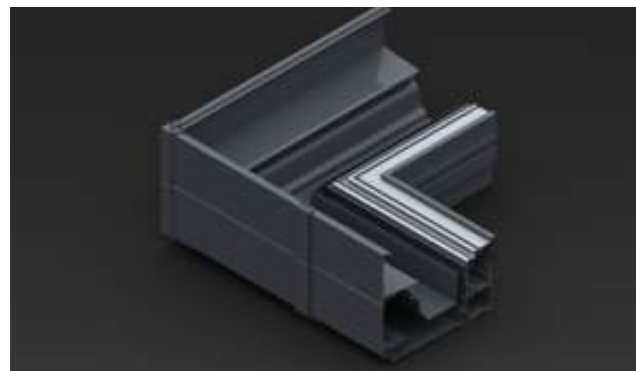
HIGHLINE GUTTER

CONTEMPORARY AND TRADITIONAL DESIGNS



Contemporary highline gutter

This contemporary highline gutter is designed to make installation easier by allowing more room for installers to fix it to the conservatory. It is available in either White or Anthracite Grey. The bottom of the gutter is dropped when compared to our traditional highline gutter design for better aesthetics over full height brickwork and pilasters. It is only suitable for internal and external 90 degree corners.



Contemporary highline gutter system with cast aluminium corner and joining trims

Traditional highline gutter

Create the look of an orangery style conservatory with our quality highline gutter and decorative corner castings. This highline gutter design is perfect for conservatories or orangeries in a more traditional style.



INTERNAL PELMET

Internal plastered pelmet

Let the homeowner enjoy even more natural daylight than a clear glass lantern roof. Plus create a relaxing atmosphere when the light fades by adding concealed LEDs in the pelmet.

Quick and easy to install

Lusso's clever box-section pelmet means there's minimal need for plastering required. Just clip interior trim and cladding direct to the aluminium frame. Faster, cleaner and less hassle than traditional orangeries.

Lusso Light PVC-U Pelmet

The intelligently-designed continuous box-section around the roof avoids the needs for plastering and simply allows the trims and cladding (all perfectly colour-matched to the orangery-style roof) to be fitted to the aluminium fascia mounted on brackets. As well as avoiding installers having to factor in specialist trades to carry out plastering, this design significantly reduces the amount of time needed to complete the project.



Lusso Light PVC-U Pelmet

Showing plastered internal pelmet



VARIABLE PITCHES

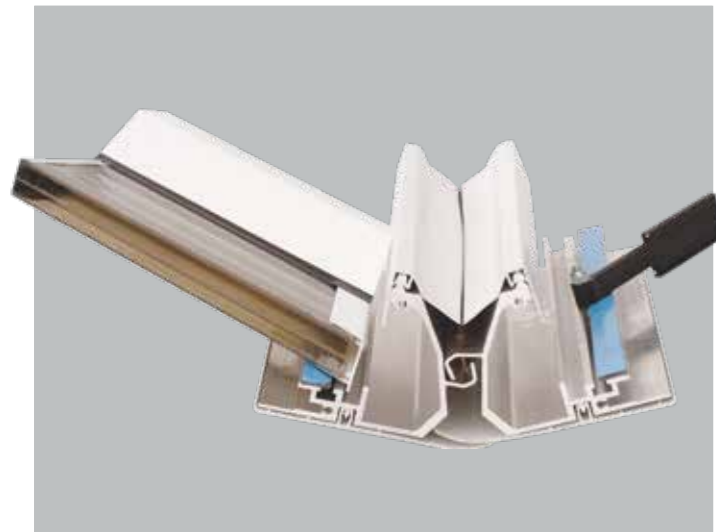
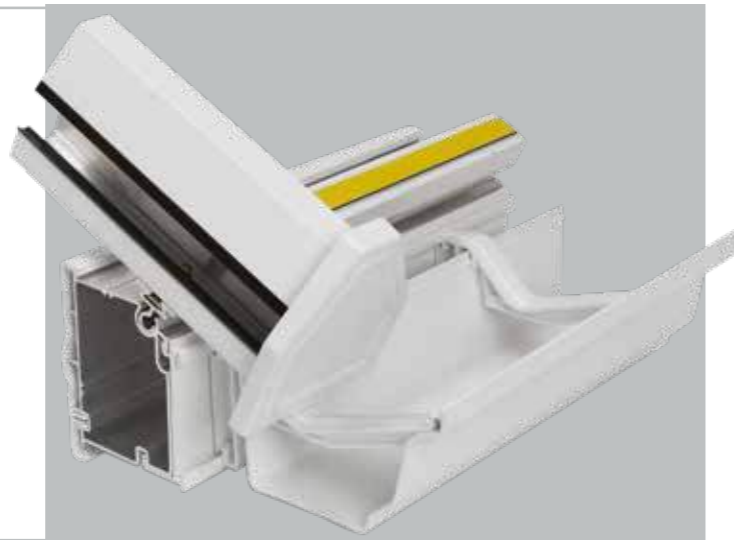
FOR ULTIMATE FLEXIBILITY

Eaves beam

Fixed 25° and variable 2.5-45°

Glazing pitches between 2.5° and 45° can be achieved from two box section aluminium eaves beams, designed to provide maximum strength and thermal efficiency.

The external front edge of the eaves beam is thermally clad in PVC-U, onto which gutter brackets are attached, which simply twist into place. These concealed brackets support a clip-fit dry joint gutter system which sits far enough forward to avoid any need for special running outlets and overcomes any risk of overflow leakage finding its way inside the conservatory.



Valleys

Variable pitches

Eurocell's variable angle valley gutter system is able to accommodate a wide range of different pitch combinations, and allows secure and watertight installations for both glass and polycarbonate glazed roofs.

The system incorporates a glass retention system, and utilises high strength glazing tape.

The valley gutter system can also be used with drop valley situations and internal 135° corner situations.

Ridges

Fixed 25° and variable 15-45°

A fixed 25° or variable angle ridge body is available to accept roof pitches between 15° and 45°. They are designed to be virtually silicone-free, minimising the reliance on the fitter to obtain a water tight seal – making the roof quicker and easier to install.

Both designs accommodate 25mm and 32mm polycarbonate or 24mm glass units. The ridge top capping can be fitted prior to final glazing, allowing for easy on-site access for sealing and lead flashing work. Suitable ridge to wall flashing trims are also supplied as standard.

Finial and crestings slide along a captive rail, overcoming the need for fixings to pierce through the external ridge top capping – reducing the risk of water ingress. Ridge top caps are supplied fully foiled whenever woodgrain finishes are required.



Lean-to

Standard wall plates – 2.5-15°

The standard lean-to wall plate is a cost-effective solution for mono-pitch gable end lean-to conservatories. This system is suitable for pitches between 2.5° and 15°. A neat top cap detail allows for easy lead flashing and sealing.

Low-line wall plate – 2.5-5°

The low-line wall plate is designed to give extra flexibility for mono pitch designs where minimal roof height is imperative. The system eliminates the need for a PVC-U top cap, greatly reducing height. The system is suitable for pitches between 2.5° and 5°.

Half-ridge wallplates – 15-45°

A half-ridge wall plate is available for use with combination, P-shaped and hipped lean-to conservatory designs, and offers the same reliable, weather-tight seal as achieved with full ridges. Suitable for pitches between 15° and 45° using either polycarbonate or glass.



Deep skirt top cap

Where large pitch variance occurs on hip-ended roofs, a deep skirt top cap has been designed to ensure a neat and watertight finish can be achieved.

This allows the top cap to be cut to sit level on top of the glazing, either side of the hip.

BOX GUTTERS & ADAPTERS

BESPOKE ALUMINIUM BOX GUTTERS

Box gutters

The wide box gutter system provides space and access for fitting and maintenance. Cutting the box gutter to the external frame dimensions avoids any need to mitre across and over the top of window frames, minimising any risk of water ingress.

Strength is also one of the design features of the box gutter system. Combining it with the eaves beam section overcomes any need for additional strapping. In situations where the box gutter requires on-site jointing, running the eaves beam across the join locks the sections together to help minimise movement and risk to the seal joint.

Silicone-free box gutter adaptors (see **How It Works** opposite) can be installed in all weathers by simply clip-fitting the metal brace strap into position. This minimises the reliance on the installer and overcomes any need for heat guns, drying, or taping on-site. All box gutters are supplied with foam insulation to minimise the build up of condensation within the conservatory.

Raised back box gutter

Included within the box gutter range is a special dedicated raised back attachment and extension section that utilises the same variable support section as used around the eaves beam.

This provides full pitch flexibility and allows the same sealing method and system to be used. The result speeds on-site installation and ensures a neat final clad finish.

Joining box gutters

Occasionally, for either transport or access reasons, it is necessary to cut box gutters. Such box gutters then need to be mechanically rejoined on-site. In these cases, a factory welded insert simply slides into the adjoining section before sealing.

The insert helps keep box gutters together during installation and once installed minimises any movement to maintain a watertight join. The ring beam then runs across the join to help lock each side of the box gutter together and minimise any subsequent movement.

HOW IT WORKS

BOX GUTTER ADAPTORS

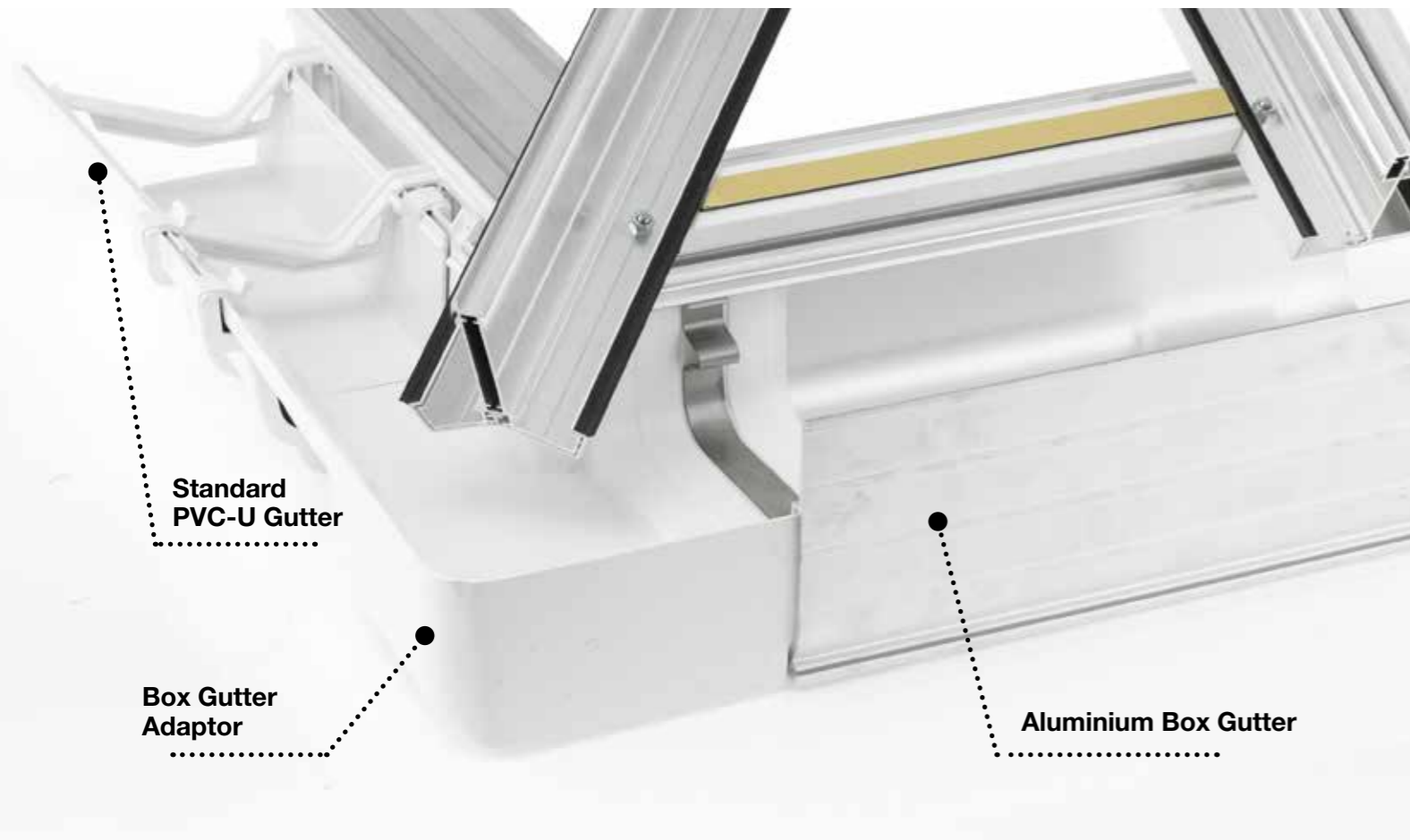
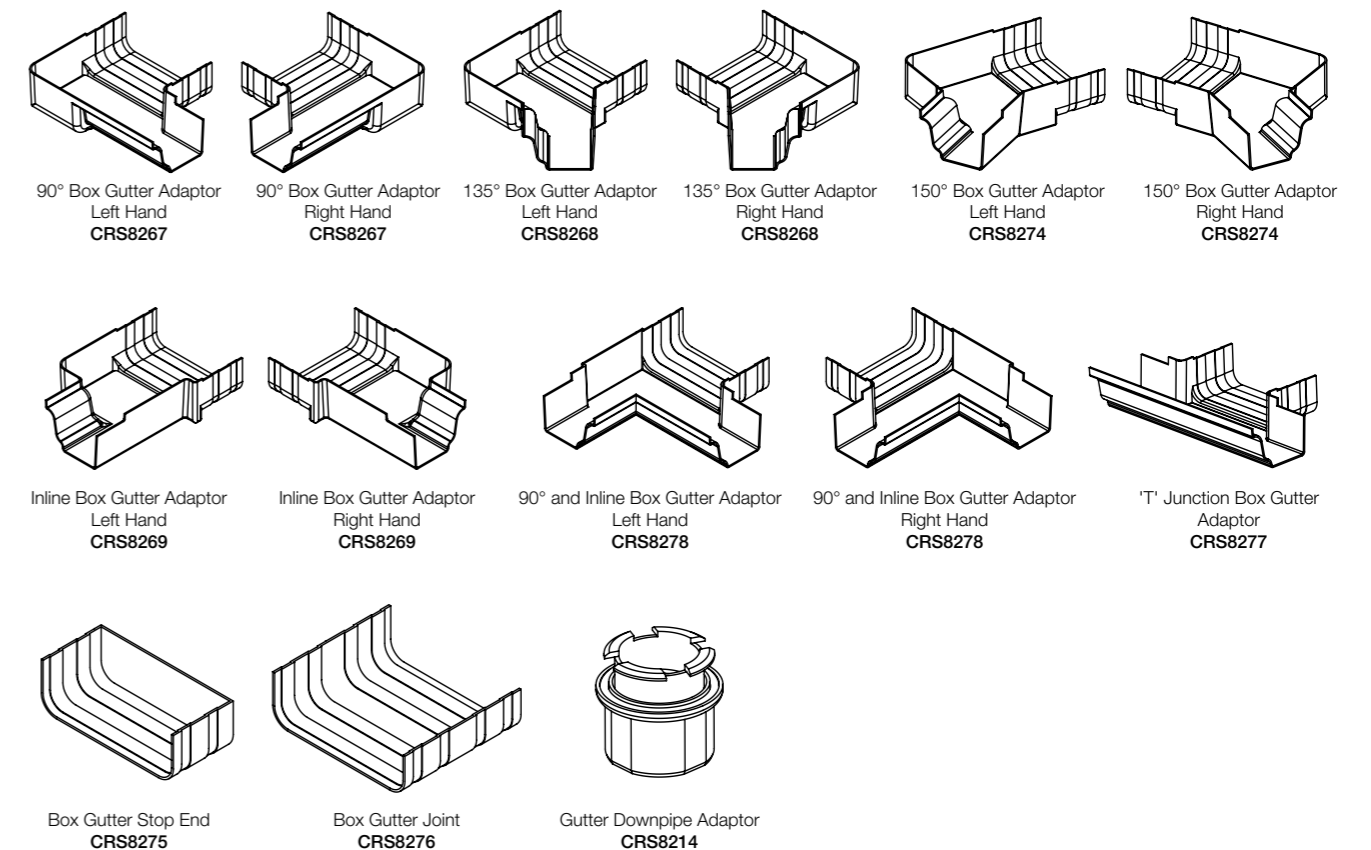


Leak-free and silicone-free box gutter adaptors are unique to the Eurocell conservatory roof system. The eaves beam runs along the inside face of the box gutter.

This allows the eaves beam to be mitre cut at corners without requiring any cutting to the box gutter, which can then be cut flush to the outside frame. This means water can only drain away to the outside of the conservatory.

The dry joint adapter simply slides into place before being retained by a clip-fit steel brace. This results in a leak-proof all-weather installation solution, which is silicone-free.

Box gutter adaptor product chart



RAFTERS

HIGH STRENGTH GLAZING SOLUTIONS



Heavy duty rafter bars

A purpose-designed range of heavy duty rafter bars can accept 25mm and 32mm polycarbonate or 24mm glass sealed units. All are supplied with glazing stops which are concealed behind special clip-up-and-over end caps. For greater spans, bars can be supplied with concealed steel reinforcement. A range of bolster bars (with dedicated end caps) is also available which can be fitted to the underside of the bars.

Gable rafter bars

Conservatory roofs which include wall-mounted gable rafters are supplied with an integral gutter channel as standard for neat and effective lead flashing.



Gable rafter bars feature integral gutter system as standard

Jack rafters

Low-line easy-fit jack rafters require no notching. The assembly slides down the central chamber of the rafter bar to ensure a strong and secure fixing. Moveable fixing blocks link the hip bar to the jack rafter assembly. This simple design provides complete flexibility, enabling 4-way on-site adjustment if necessary.

Rafter fixing and end detail

Easy-slide single and double fixing studs are used to bolt rafters into position. They allow for easy movement and adjustment of the rafter bar before final positioning and fixing takes place. Simple and neat clip-up-and-over rafter end caps incorporate and conceal high-strength glazing end stops on the bottom of each bar.

LOOKING FOR A PREMIUM FINISH?

Optional aluminium top caps are available, featuring a PVC-U thermal break.

GLAZING OPTIONS

GLASS AND POLYCARBONATE



Glass

Suitability for glass roof glazing is a major feature of the Eurocell roof system. Each glazing bar is supplied, as standard, with concealed high-strength glass end stops. This provides a safe buffer platform for units to rest against to overcome any risk of slippage, whilst the wide flat base of the eaves beam seal minimises any roll-out weakness between the bars.

Eurocell offers two glass types for its conservatory roofs – standard toughened and high-performance Perfect Day glass.

The Perfect Day range of glass is available in a wide choice of performance and colour options, for maximum versatility and choice. The glass features a revolutionary dual-action self-clean coating as standard. Activated by sunlight and rain, the self-cleaning coat lasts the lifetime of the glass.

A solar control option is also available, which reduces heat build up without costly air conditioning.

Polycarbonate

A popular alternative to glass, multi-wall polycarbonate is available in a choice of colours and thicknesses, providing different levels of thermal efficiency to a conservatory roof.

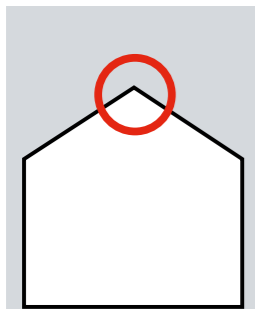
This lightweight material offers extra heat and noise insulation, as well preventing glare.



ROOF HEIGHT CALCULATOR

GLAZING TYPES & PERFORMANCE

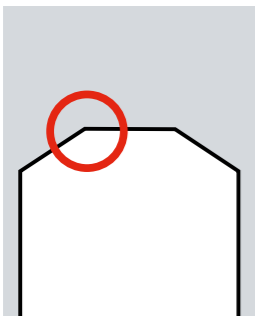
Roof height chart Apex roof designs with ridges



PITCH	WIDTH							
	2500mm	3000mm	3500mm	4000mm	4500mm	5000mm	5500mm	
15°	588	655	722	789	856	923	990	
20°	708	799	890	981	1072	1163	1254	
25°	836	953	1069	1186	1302	1419	1535	
30°	975	1119	1263	1408	1552	1696	1841	
35°	1128	1303	1478	1653	1828	2003	2178	

Height to bottom of ridge = less 173mm
For height including cresting allow a maximum of 170mm

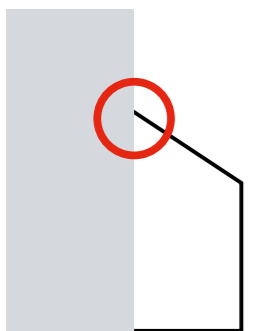
Half ridge wallplate height chart Hip ended designs



PITCH	WIDTH							
	2000mm	2250mm	2500mm	2750mm	3000mm	3250mm	3500mm	
15°	789	856	923	990	1057	1124	1191	
20°	981	1072	1163	1254	1345	1436	1527	
25°	1186	1302	1419	1535	1652	1769	1885	
30°	1408	1552	1696	1841	1985	2129	2274	
35°	1653	1828	2003	2178	2354	2529	2704	
40°	1931	1968	2351	2560	2770	2980	3190	

Height to bottom of wallplate = less 173mm

Lean-to wallplate height chart Mono pitch designs



PITCH	WIDTH				
	2000mm	2500mm	3000mm	3500mm	4000mm
2.5°	360	382	403	425	447
5°	447	491	535	578	622
7.5°	535	601	667	733	799
10°	624	712	801	889	977
12.5°	715	826	936	1047	1158
15°	807	941	1075	1209	1343

Height to bottom of wallplate = less 192mm

Glazing type	Option	Colour	U-value	G-value	Light transmission	True self clean	Warm edge
Glass	Standard toughened	Clear	2.7	-	87%	NO	YES
Glass	Perfect Day Super 4s	Blue	1.0	28%	41%	YES	YES
Glass	Perfect Day Super 4s	Neutral	1.0	29%	37%	YES	YES
Glass	Perfect Day Super 4s	Aqua	1.0	22%	32%	YES	YES
Glass	Perfect Day Super 4s	Bronze	1.0	34%	42%	YES	YES
Glass	Perfect Day Super	Blue	1.2	40%	52%	YES	YES
Glass	Perfect Day Super	Neutral	1.2	40%	45%	YES	YES
Glass	Perfect Day Super	Aqua	1.2	28%	39%	YES	YES
Glass	Perfect Day Super	Bronze	1.2	49%	52%	YES	YES
Glass	Perfect Day Super	Clear	1.2	68%	78%	YES	YES
Polycarbonate	32mm 7 wall	Clear	1.4	53%	59%	N/A	N/A
Polycarbonate	32mm 7 wall	Opal	1.4	43%	11%	N/A	N/A
Polycarbonate	32mm 7 wall	Bronze	1.4	12%	13%	N/A	N/A
Polycarbonate	32mm 7 wall	Bronze / Opal	1.4	8%	15%	N/A	N/A
Polycarbonate	32mm 7 wall	Solar Control	1.4	4%	7%	N/A	N/A
Polycarbonate	25mm 5 wall	Clear	1.7	62%	62%	N/A	N/A
Polycarbonate	25mm 5 wall	Opal	1.7	39%	14%	N/A	N/A
Polycarbonate	25mm 5 wall	Bronze	1.7	21%	17%	N/A	N/A
Polycarbonate	25mm 5 wall	Bronze / Opal	1.7	19%	17%	N/A	N/A
Polycarbonate	25mm 5 wall	Solar Control	1.7	10%	7%	N/A	N/A

Note: The values shown above are provided for guidance purposes only, and are subject to variation caused by seasonal changes and other factors.

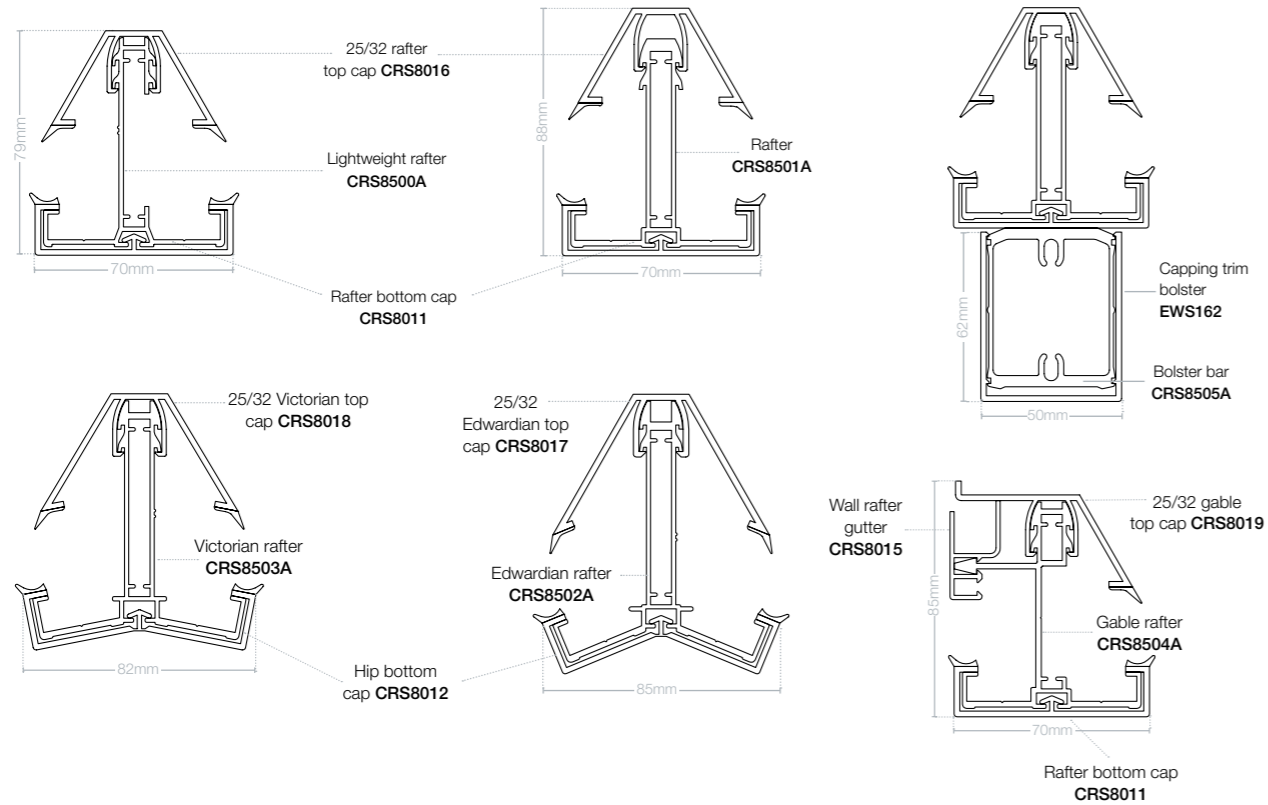
ROOF VENTS

For roof ventilation, roof vents can be incorporated into roof designs. Manual and electric designs are available, as well as a climate control system that automatically opens and closes the vent as temperatures rise or fall, or if rain is detected by an external sensor.

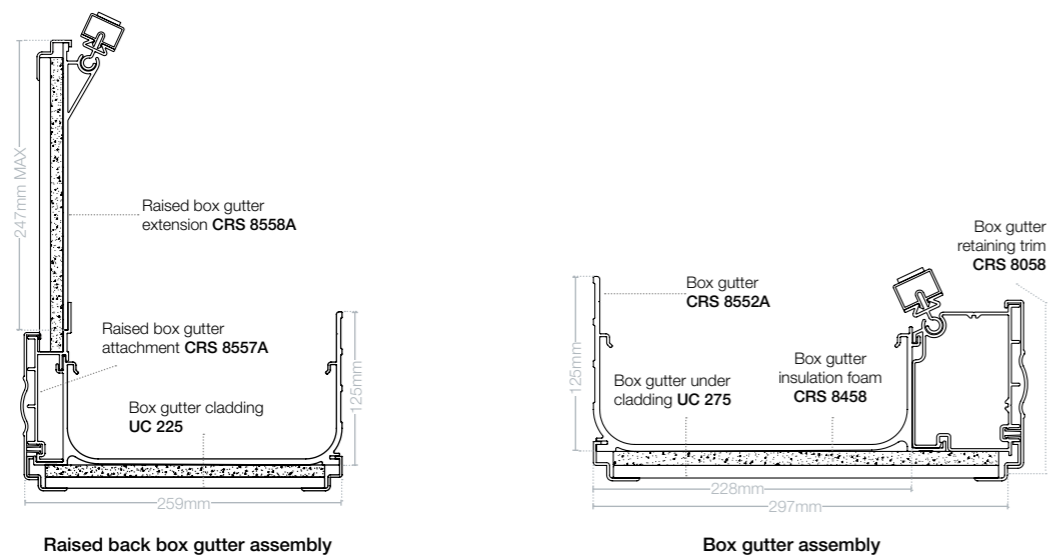
TECHNICAL INFORMATION

MAIN ASSEMBLIES

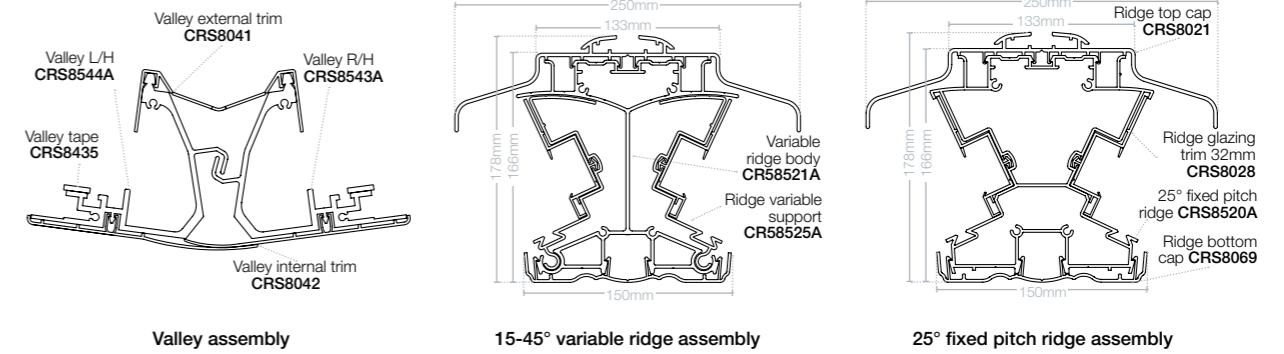
RAFTER & HIP ASSEMBLIES



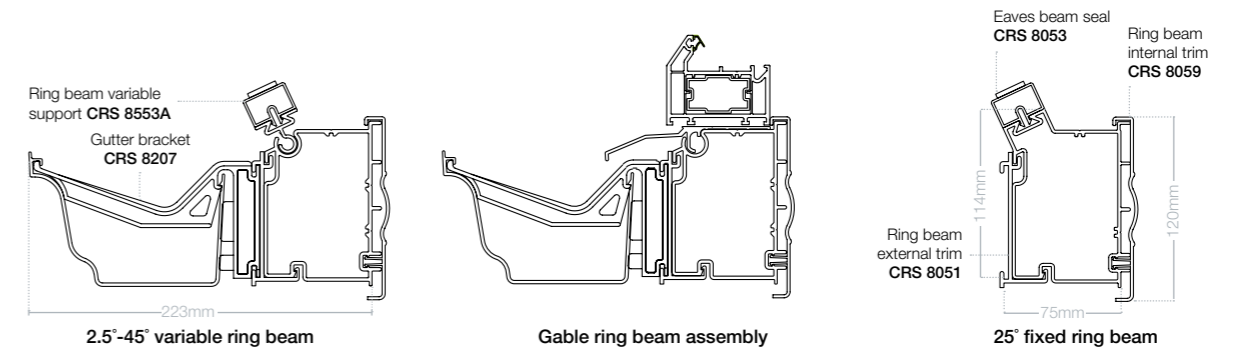
BOX GUTTERS



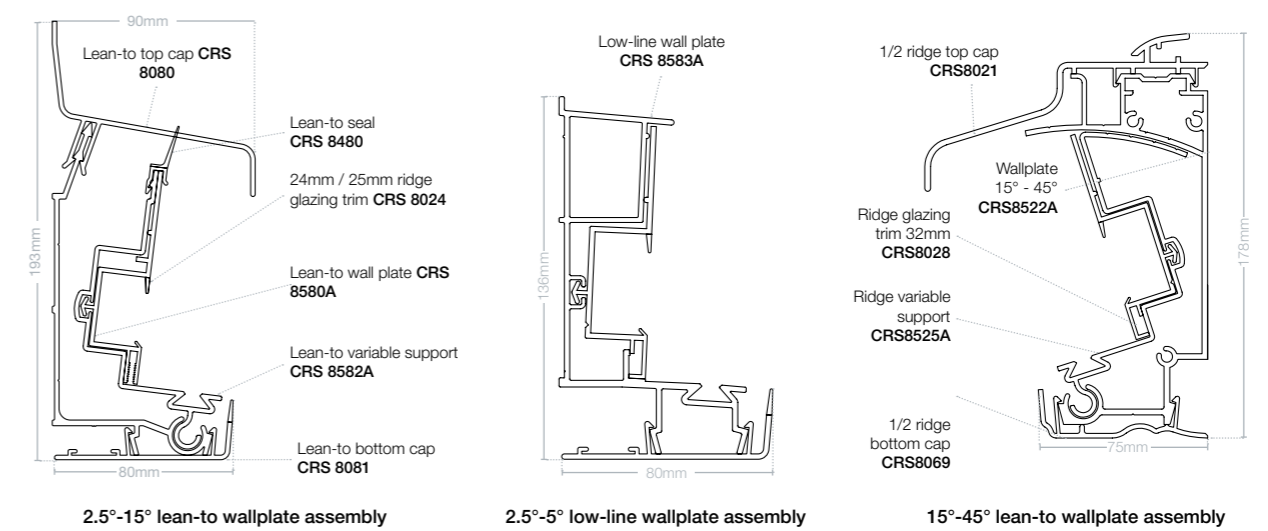
VALLEY & RIDGE ASSEMBLIES



VALLEY & RIDGE ASSEMBLIES



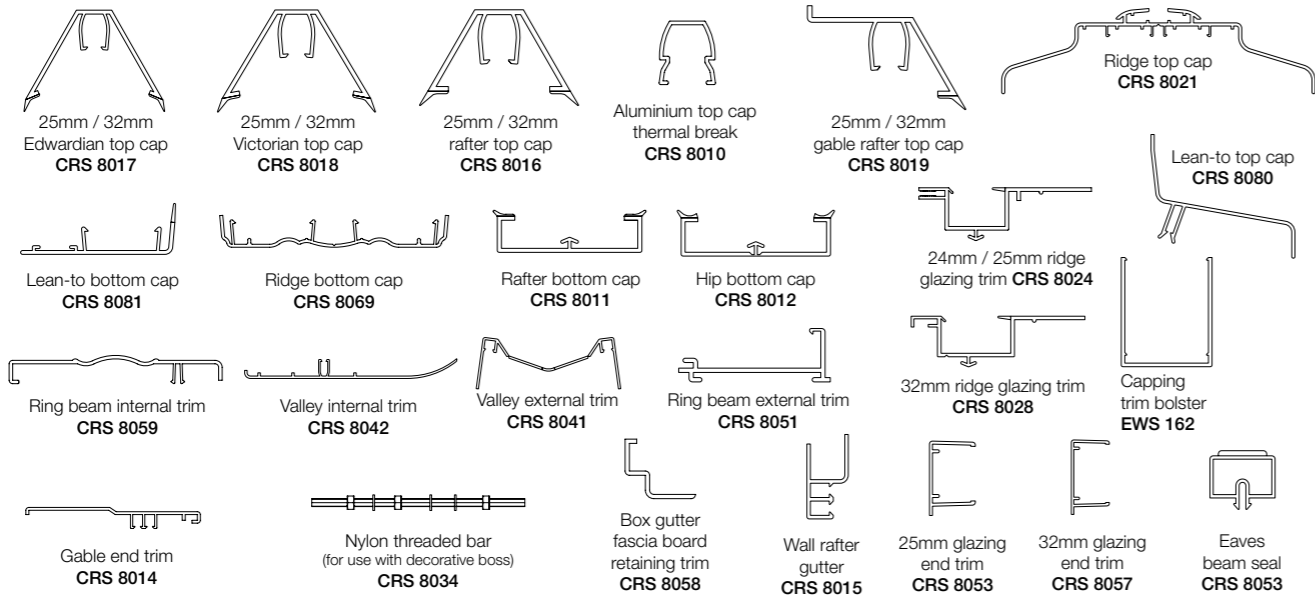
LEAN-TO WALL PLATES



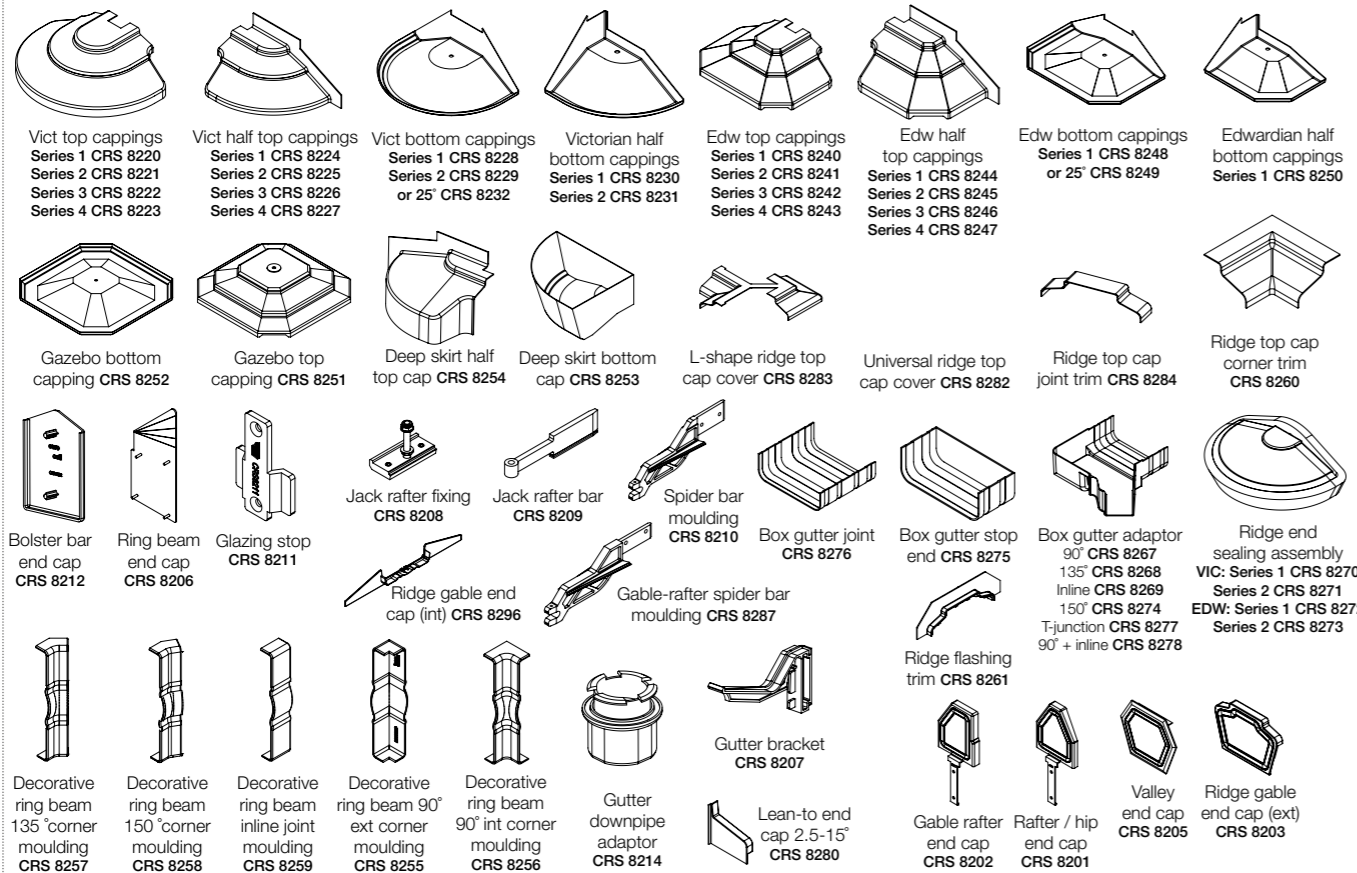
TECHNICAL INFORMATION

COMPONENTS

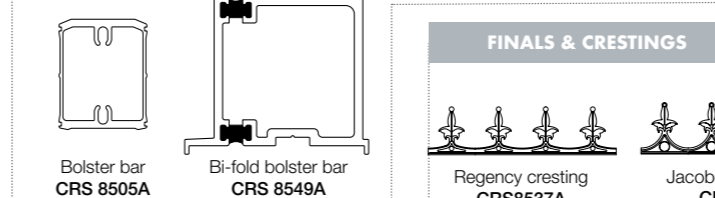
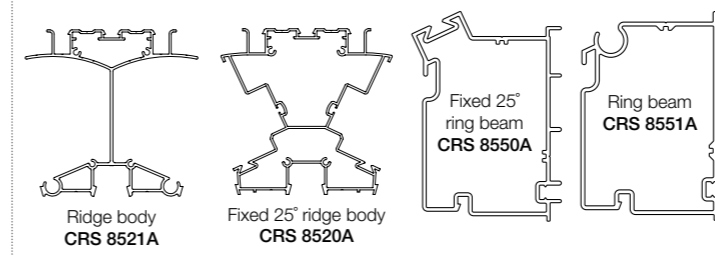
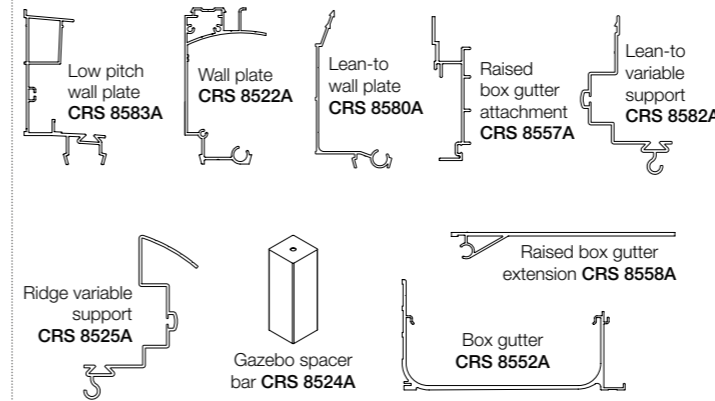
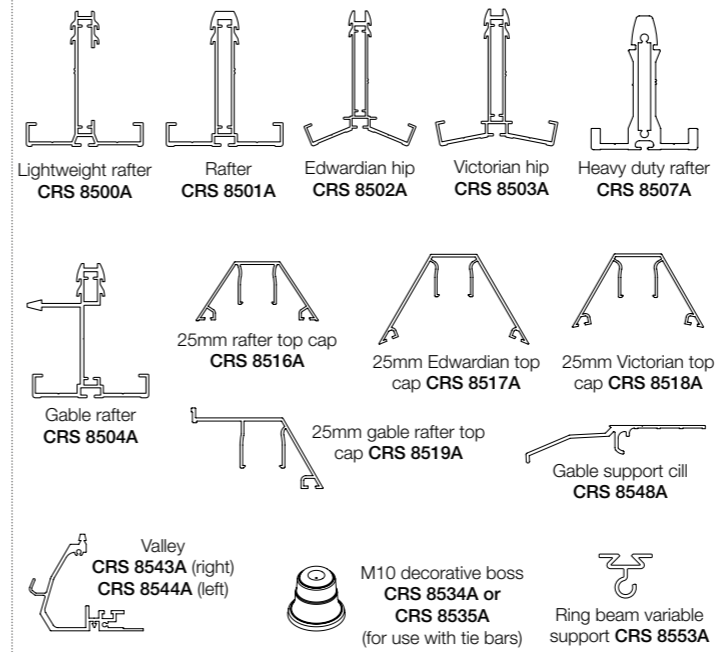
RAFTER & HIP ASSEMBLIES



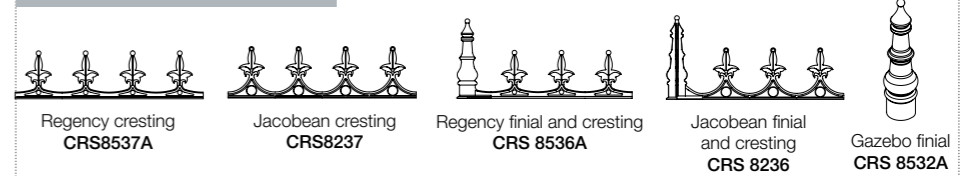
RAFTER & HIP ASSEMBLIES



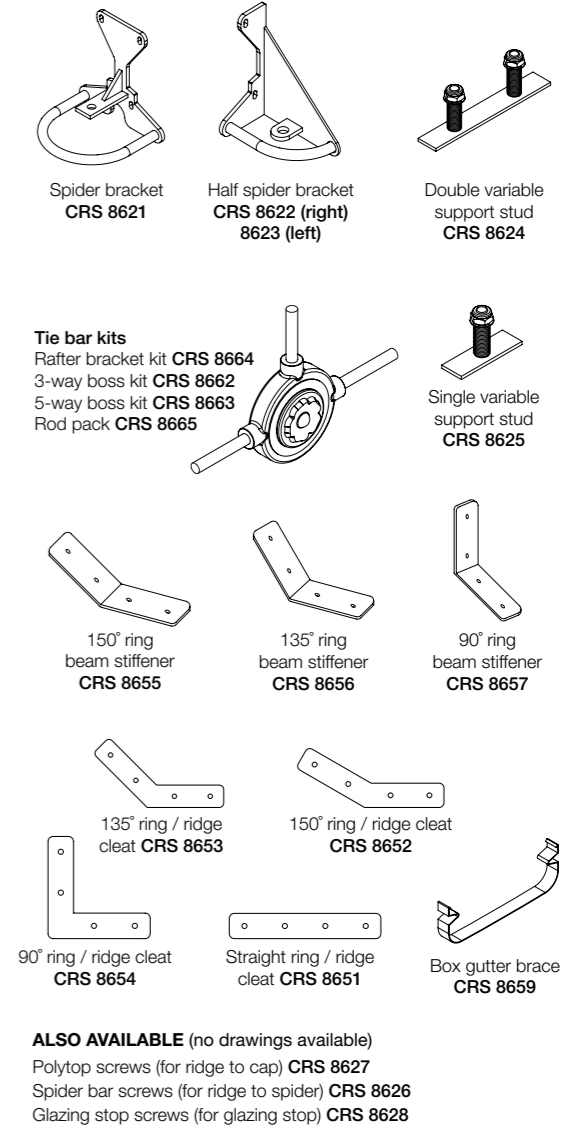
ALUMINIUM COMPONENTS



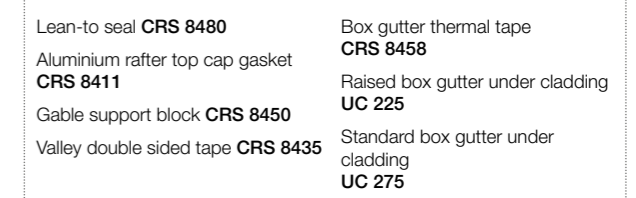
FINALS & CRESTINGS



STEEL COMPONENTS



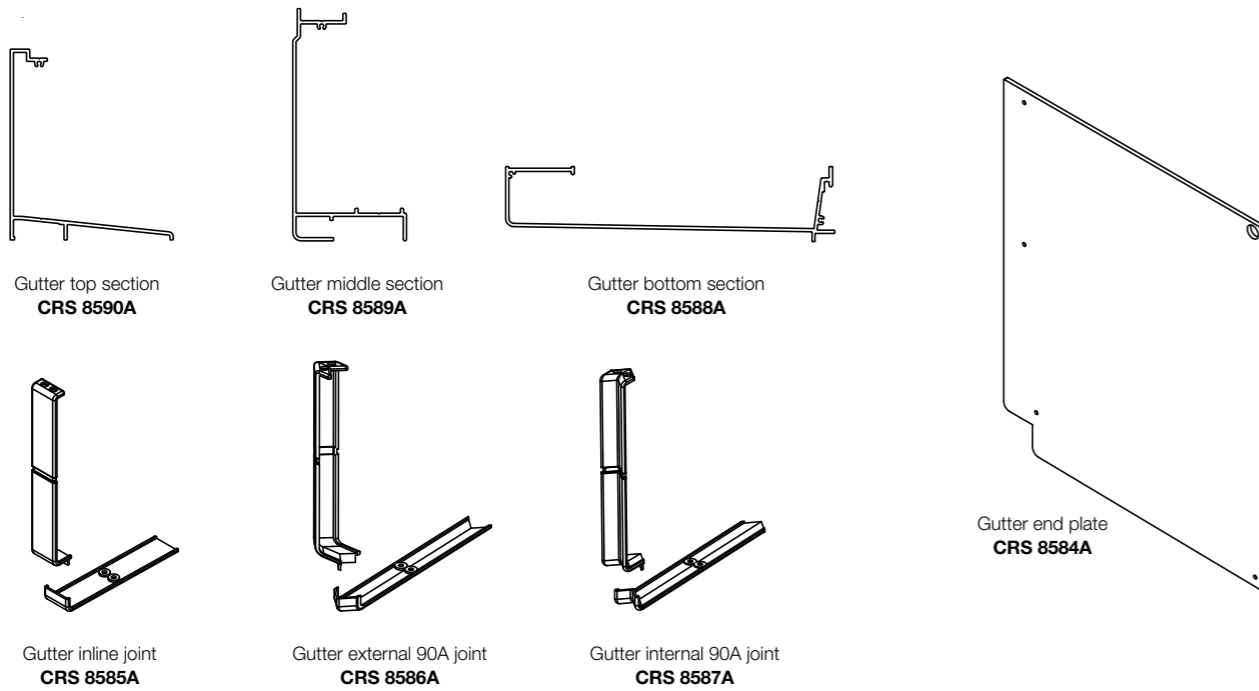
MISC



TECHNICAL INFORMATION

CONTEMPORARY CONSERVATORY ROOFING

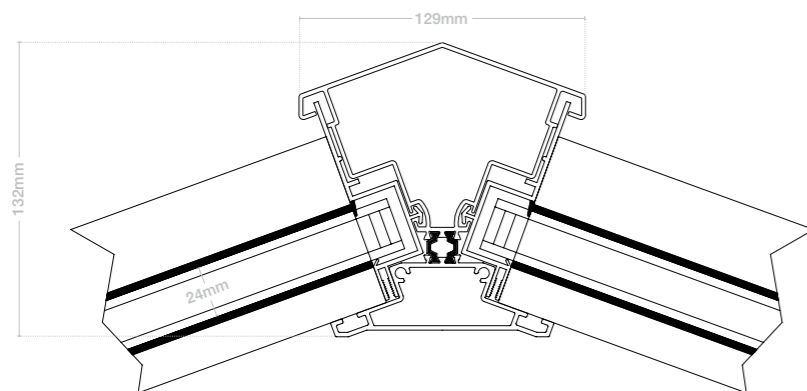
CONTEMPORARY HIGHLINE GUTTER



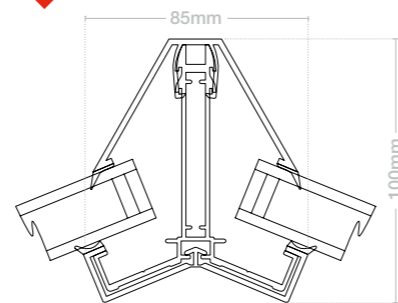
SLIMLINE RIDGE COMPONENTS

Ridge assembly

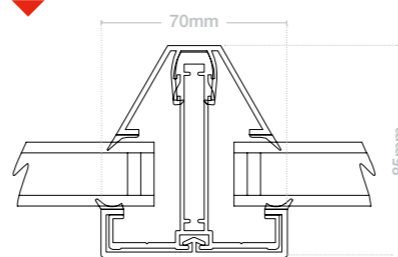
Powder-coated aluminium, thermally broken



Hip assembly

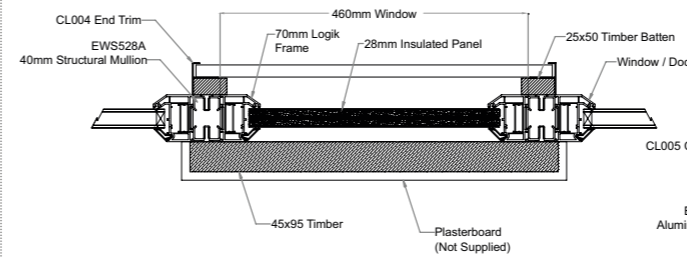


Rafter assembly

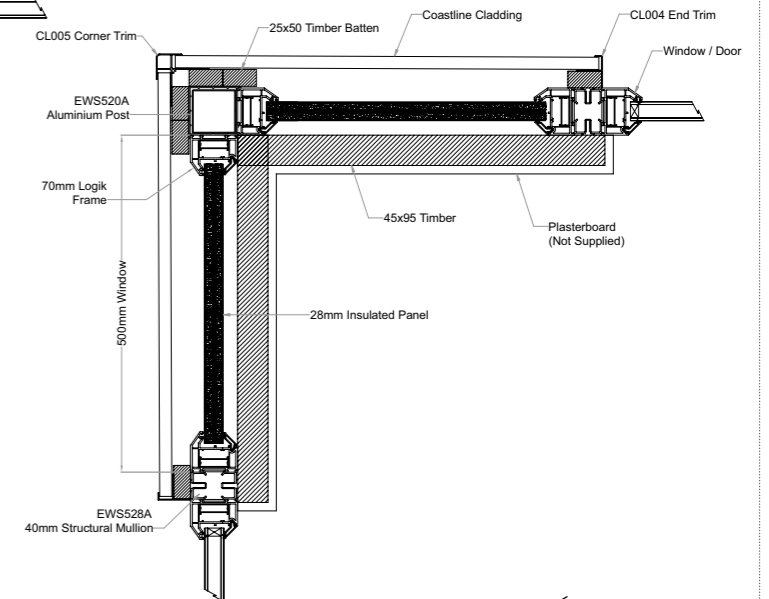


CONTEMPORARY PILASTERS

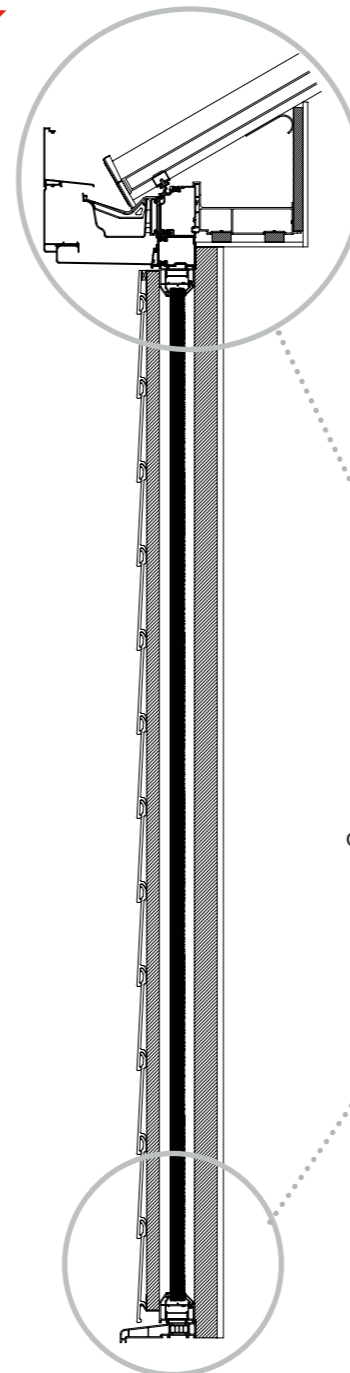
Inline Coastline pilaster



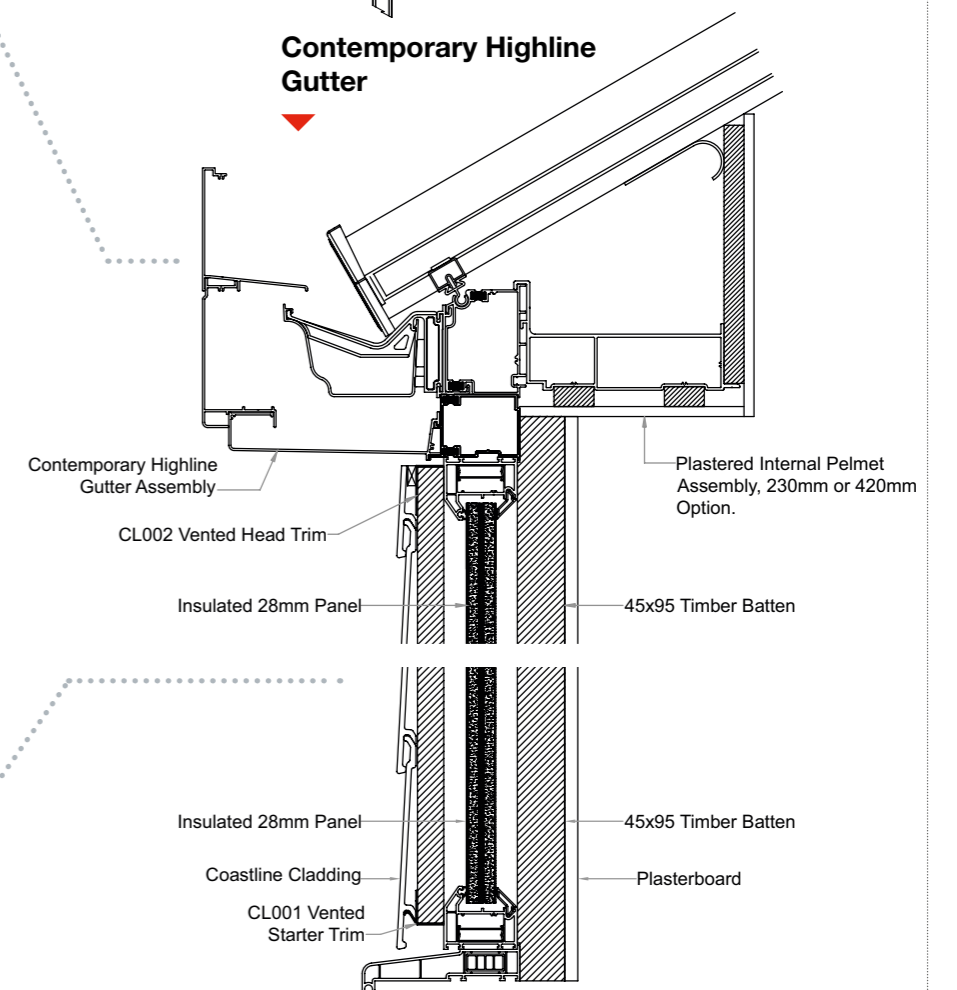
90A corner Coastline pilaster



Vertical section



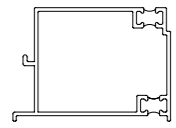
Contemporary Highline Gutter



TECHNICAL INFORMATION

LUSSO CONSERVATORY ROOFING

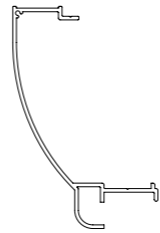
TRADITIONAL HIGHLINE & INTERNAL PELMETS



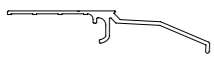
Highline gutter adaptor
CRS 8577A



Highline gutter base
CRS 8578A



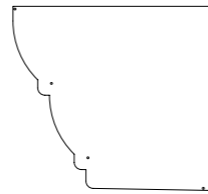
Highline gutter
CRS 8579A



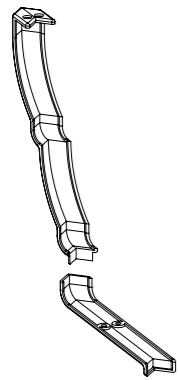
Gable support cill
CRS 8548A



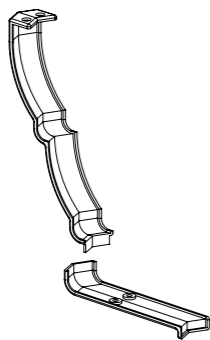
Eurogroove cover
EWS 112



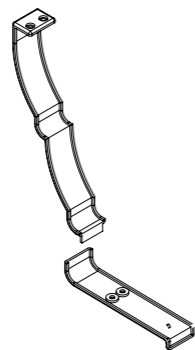
End plate
CRS 8574A



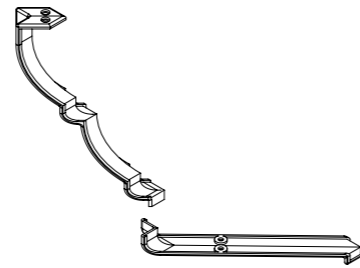
90° corner casting
CRS 8570A



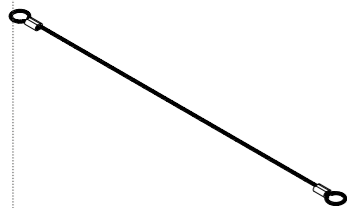
135° corner casting
CRS 8571A



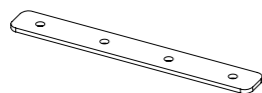
Inline joint casting
CRS 8572A



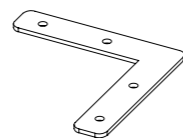
Internal 90° corner casting
CRS 8573A



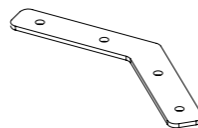
Tie wire
CRS 8679S



Straight cleat
CRS 8671S

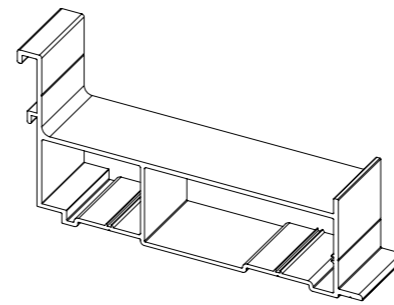


90° corner cleat
CRS 8672S



135° corner cleat
CRS 8673S

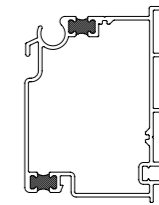
PLASTERED INTERNAL PELMET



Internal pelmet bracket
CRS 8545A



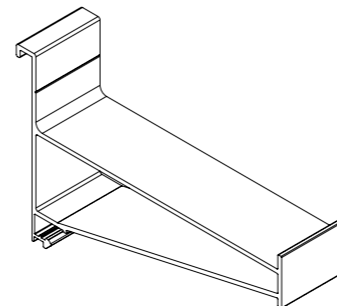
Internal pelmet rafter bracket
CRS 8546A



Thermally broken ring beam
CRS 8547A

Pelmet available at 230mm and 420mm

LUSSO LIGHT INTERNAL PELMET



Faux orangery bracket
CRS 8575A



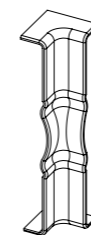
Faux orangery internal trim
CRS 8576A



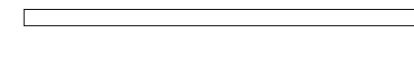
Ring orangery trim
CRS 8075



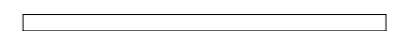
Ring beam internal trim
CRS 8548



Internal corner moulding
CRS 8256



225mm capping board
CB 225



200mm utility board
UB 200



For more information about the conservatory roof systems from Eurocell, call our customer services team on **0333 777 3040** or visit **eurocell.co.uk/conservatories**

Eurocell plc, High View Road, Alfreton, Derbyshire DE55 2DT

Follow us on our social channels:



eurocell.co.uk



Product specification is subject to change without notification. Please also note that colours shown are illustrative only, as the printing process does not allow 100% accurate colours to be reproduced.