

STERIS 4085 GENERAL SURGICAL TABLE

APPLICATION

The STERIS 4085 General Surgical Table is a mobile, electrohydraulically operated surgical table designed to support virtually all general surgical procedures including cardiac and vascular, endoscopic, gynecology, urology, nephrectomy, neurology, ophthalmologic and orthopedics with the addition of STERIS table accessories.

DESCRIPTION

The STERIS 4085 General Surgical Table is a mobile, electrohydraulically operated surgical table specifically designed to provide patient positioning flexibility required for modern surgical care facilities. The STERIS 4085 General Surgical Table features powered lateral tilt, Trendelenburg/ reverse Trendelenburg, Zip-Slide™ movable tabletop and adjustable height functions. This table is designed to function with:

- **1100 lb (499 kg)** load; without patient positioning (no tabletop articulation or slide).
- **1000 lb (454 kg)** load; includes all patient positioning except tabletop slide.
- **600 lb (272 kg)** load; includes all patient positioning and full tabletop slide.

Table is constructed of aluminum alloy, stainless steel and other high quality materials. Table is equipped with a large sliding tabletop *providing unrestricted radiological access without patient reversing.*

The STERIS 4085 General Surgical Table is powered by either internal battery or facility electric through use of the INTELLIPOWER® dual power system.

The table accepts positioning commands from three sources:

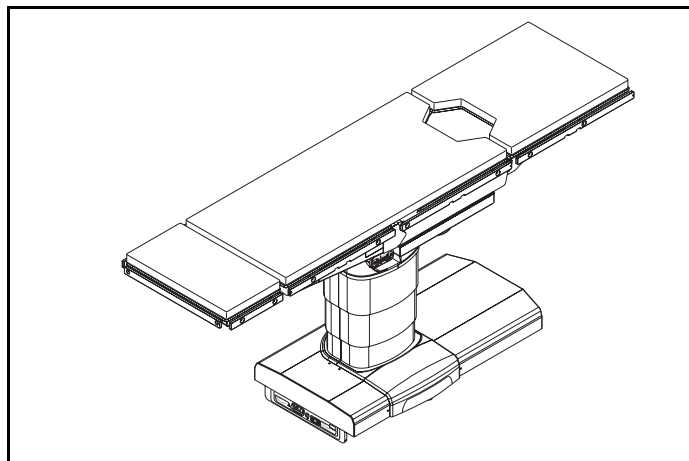
1. A **Primary Hand Control**.
2. Physician-controlled **foot control** (which includes Trendelenburg Tilts, Lateral Tilts, and Height functions).
3. **Backup Hand Control** functions as override to primary Hand Control. Located in table base.

Overall size (W x L x H):

22 x 81 x 26 to 45" (547 x 2057 x 675 to 1136 mm).

Weight:

560 lb (254 kg).



(Typical only - some details may vary.)

The standard table configuration includes:

- Power adjustable height, back, leg, Trendelenburg, Zip-Slide movable tabletop, radiolucent Kidney™ elevator mechanism, flex/reflex and lateral tilt functions.
- Manual, removable, adjustable head section.
- Pendant primary Hand Control.
- Mobile base with hydraulically operated, self-leveling floor locks
- Up to three weeks operation (100-150 procedures) on internal battery power without recharging.

STANDARDS

STERIS 4085 tables are in compliance with the following standards:

- **Standard CSA-C22.2 No. 601.1-M90**, Standard for Electro-Medical Equipment, as certified by ETL.
- **EN 60601-1: 2012-8 Edition 3.1, Medical Electrical Equipment - Part 1:** General Requirements for Basic Safety and Essential Performance, as certified by ETL.
- **IEC 60601-1-2: 2014-02 Edition 4.0, Medical Electrical Equipment - Part 1-2:** General Requirements for Basic Safety and Essential Performance - Collateral Standard: Electromagnetic Disturbances - Requirements and Tests.
- **EN 55011: Group I, Class A, Emissions Testing**, as certified by ETL.
- **IEC 60601- 2-46: 2016-08 Edition 3.0, Medical Electrical Equipment - Part 2-46:** Particular Requirements for Basic Safety and Essential Performance of Operating Tables.

The Selections Checked Below Apply To This Equipment

ACCESSORY PACKAGES

Standard Accessory Package

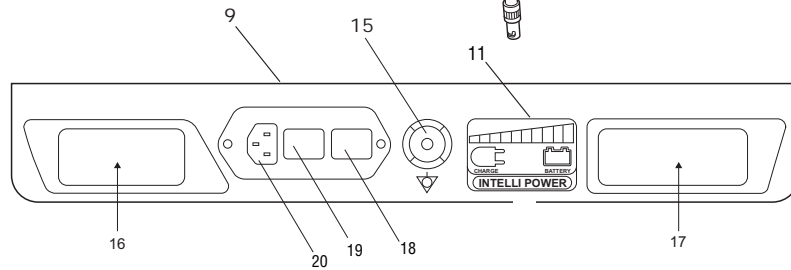
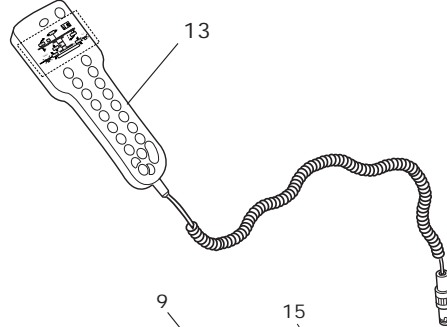
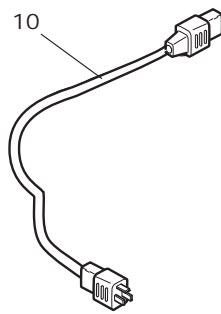
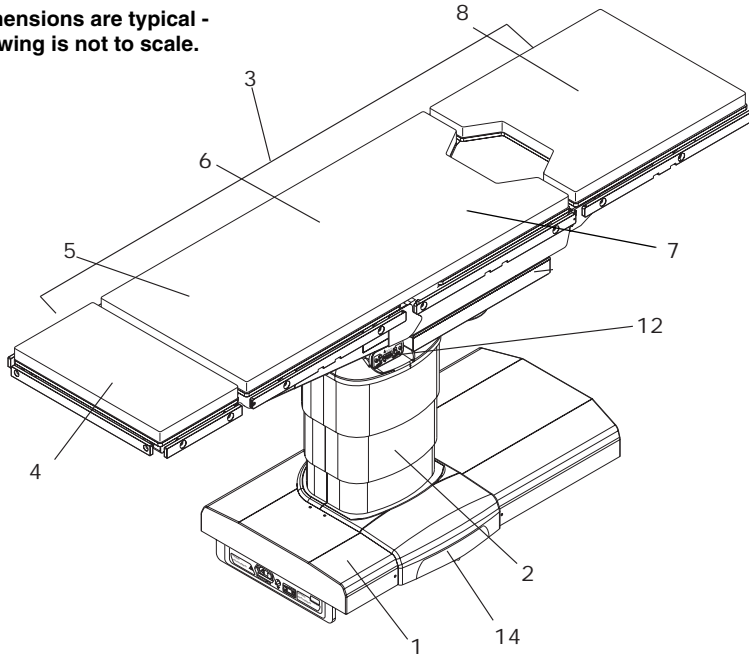
OPTIONS

Foot Control

Item _____

Location(s) _____

Dimensions are typical -
drawing is not to scale.



KEY:

| | | | |
|----|---------------------------|----|--|
| 1 | Table Base | 11 | INTELLIPOWER Display |
| 2 | Column | 12 | Connection Panel |
| 3 | Tabletop (See Page 3) | 13 | Hand Control (See Page 4) |
| 4 | Head Section | 14 | Auxiliary Control System (See Page 5) |
| 5 | Back Section | 15 | Ground Equalization Terminal (Male Connection) |
| 6 | Kidney Elevator Mechanism | 16 | Service Label |
| 7 | Seat Section (Sliding) | 17 | ServiceBar Code Label |
| 8 | Leg section | 18 | Primary Fuses |
| 9 | Power Panel | 19 | Main Power Switch |
| 10 | Power Cord | 20 | AC Receptacle |

STERIS 4085 General Surgical Table Components (Typical)

- **CE Marked to Medical Device Directive, 93/42/EEC.**
- **Title 21 - FDA, Part 820 - Quality System Regulation.**
- **Class 1 Equipment.**
- **Type B Equipment.**
- **IPX-4** (Fluid Ingress Protection), as certified by ETL.

NOTE: Suitable for intermittent operation, three minutes per hour.

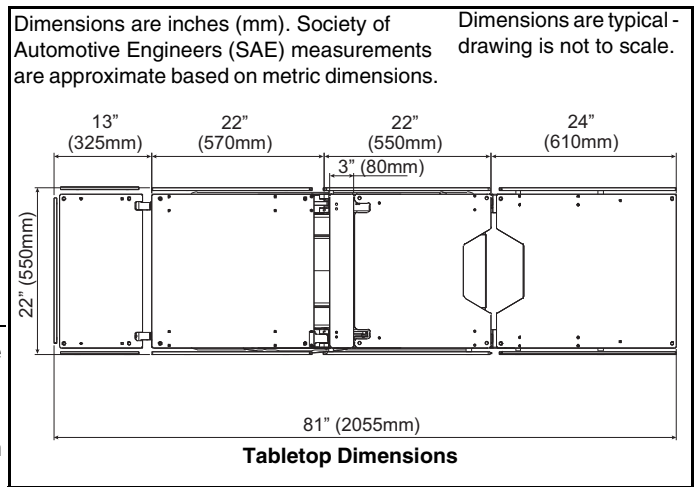
FEATURES

Motorized tabletop is constructed of five-sections (including the motorized fully radiolucent Kidney Elevator Mechanism) and is 81" (2057 mm) long. Motorized Zip-Slide movable tabletop eliminates the need for patient reorientation and preconfiguration of the table. Unobstructed imaging length of 68" (1725 mm) and 100% C-Arm access without table movement is available. For attaching accessories, the tabletop sections include a standard stainless-steel side rail on both sides – located where they will not obstruct the imaging area. Hook-and-loop fastener strips on the tabletop sections permit instant application and removal of the 2" (51 mm) thick, latex-free mattress pad. The radiolucent tabletop sections enable viewing of the entire anatomy (see illustration at bottom of this page). The easily attached X-Ray top design enables cassettes to be loaded from the head, foot or either side for a full range of exposure angles.

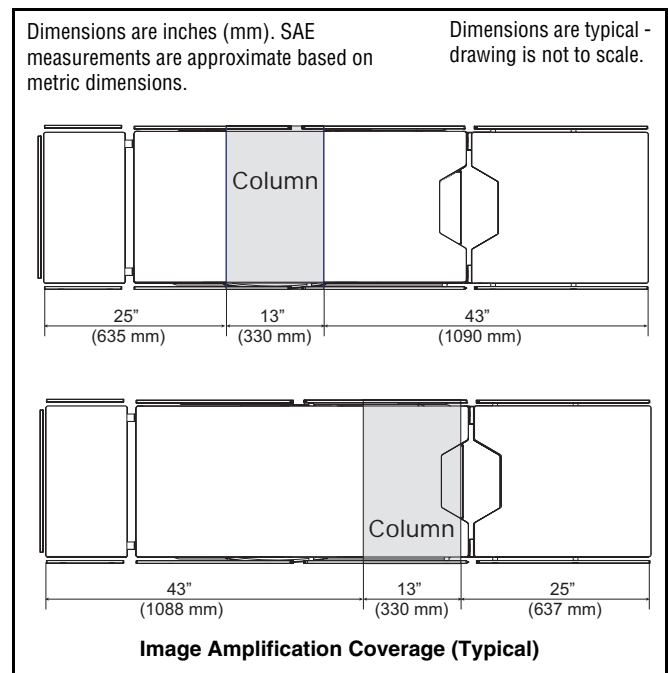
Column supports tabletop and includes lift cylinder, bearings, hydraulic piping, hydraulic actuators for Trendelenburg, electrical wiring and master computer. These components are enclosed by four telescoping plastic or optional stainless-steel column shrouds. The shrouds are of two-piece construction for service accessibility. Hand Control and optional Foot Control connect at top of column.

Base structure is painted welded steel. The base cover is a two-section, plastic or optional stainless-steel enclosure. Four large diameter swivel casters inside the base cover facilitate table relocation and movement. Four mechanical, hydraulically operated, floor-locks are supplied. The power supply assembly and floor lock actuators are also within the base. Table power cord is plugged into a receptacle centered on the base head-end cover. Auxiliary Control System controls are located beneath a cover plate and stored in a convenient drawer (see illustration on page 5). Included are: SLIDE HEAD/FOOT, HEIGHT UP/DOWN, TREND./REV. TREND., TILT RIGHT/LEFT, BACK UP/DOWN, LEG UP/DOWN, KIDNEY UP/DOWN and LOCK/UNLOCK switch.

Electric controlled system provides powered tabletop positioning. Hydraulic actuators perform all powered table motions (except Zip-Slide movable tabletop which is powered by an electric motor). The primary control system is a master computer located in the table column. This computer selects which outputs are to be actuated based on inputs from an auxiliary CPU in the pendant Hand Control and/or optional foot control. The Hand Control is a tethered pendant that hangs from standard side rails. Hand control provides user inputs (from touch pad switches via an auxiliary CPU) to the master computer. It also includes status LEDs and display screen. A Backup Hand Control, located in the table base, enables all table actuations.



Electrical System (the input electrical power) is fed by a detachable three-wire grounded power cord into an isolation transformer. The power is reduced to 24 V, and is rectified to dc. The operating system is powered by the 24 Vdc. Fuses are used for protection of the system. The control operates on 24 Vdc. The Hand Control (an auxiliary CPU) and optional foot control consist of switches that open or close to signal the computer in the table column. The Hand Control includes feedback LEDs. If ac main power fails, the battery system can be used to power the table. The battery system is activated by ensuring the Main Power Switch on the front of the table base is ON and depressing any button on the Hand Control. Activation of the Battery System permits the table to be articulated as necessary for approximately three weeks (without facility ac power) or between 100 and 150 procedures. *The batteries are continuously charging as long as the table is supplied with the appropriate ac voltage and the Main Power Switch is in the ON position.*



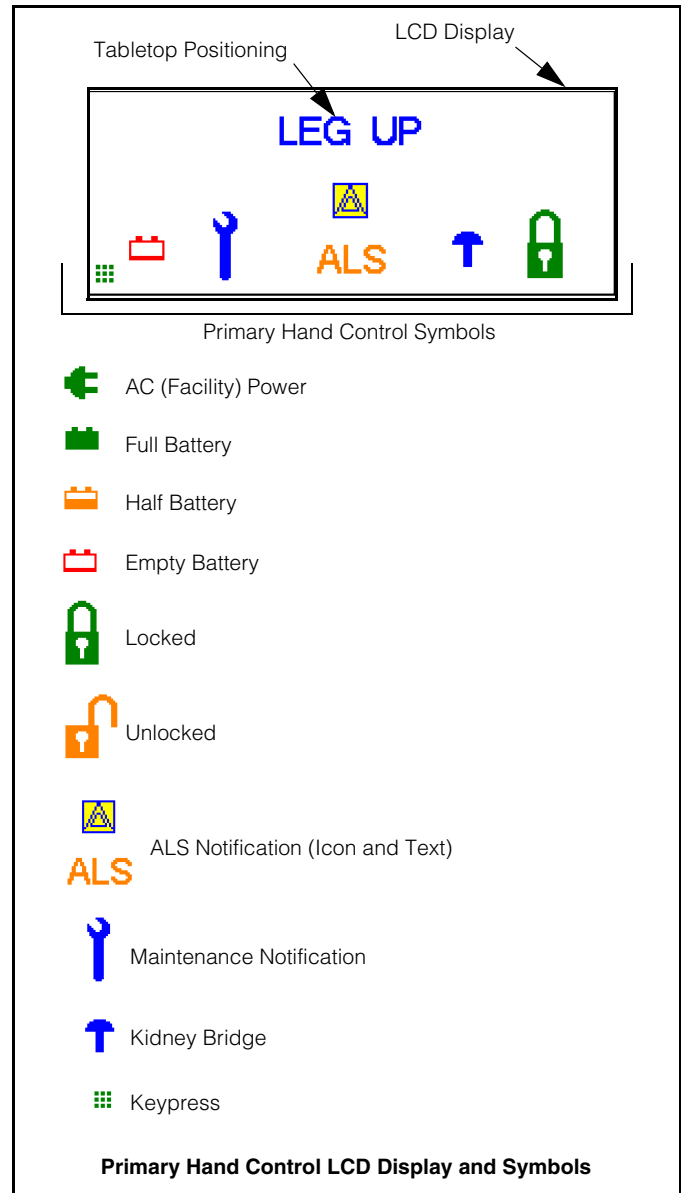


Primary Hand Control

Pendant Primary Hand Control (see illustration) is ergonomically designed. This intuitive primary interface for table operation is constructed of one-piece thermoformed plastic that holds and seals the keypad (illuminated for easy table articulation identification when room is dark). Hand Control is equipped with a 12' (3.7 m) long cord (3' [0.9 m] when coiled) that plugs into a receptacle located at the top of the column. Membrane touch switches provide, through an auxiliary CPU, input signals to activate table functions and articulations. LED indicators and LCD Display (validates table positioning, eliminating the need to lift sterile drape to confirm table position) provide the following table operation information:

LCD includes:

- Auto Limit Sensor Notification (Icon and Text)
- Battery Power (Full, Half, Empty)
- AC (Facility) Power
- Kidney Bridge
- Floor Lock Position (Locked, Unlocked)
- Maintenance Notification
- Keypress
- Slide (Icon and Number)
- Tabletop Positioning



Touch Pads include:

- SLIDE HEAD/FOOT
- HEIGHT UP/DN
- BACK UP/DN
- LEG UP/DN
- TREND/REVERSE TREND
- TILT LEFT/RIGHT
- FLEX/REFLEX
- KIDNEY UP/DN
- LEVEL
- FLOOR LOCK (Lock and Unlock)
- STOP

LEDs include:

- FLOOR LOCK
- NORMAL and REVERSE Patient Orientation
- LEVEL

Backup (Override) Control System can be actuated at any time and allows table operation in the event of primary control or power malfunction. The controls are located beneath a cover plate and stored in a convenient drawer (see illustration). A pedal (foot pump to provide hydraulic power) and Backup Hand Control (see illustration) comprise this system. Included functions on Override Hand Control are: SLIDE HEAD/FOOT, BACK UP/DN, LEG UP/DN, TREND/REVERSE TREND, HEIGHT UP/DN, TILT LEFT/RIGHT, KIDNEY UP/DN, FLOOR LOCK/ UNLOCK and STOP switch.

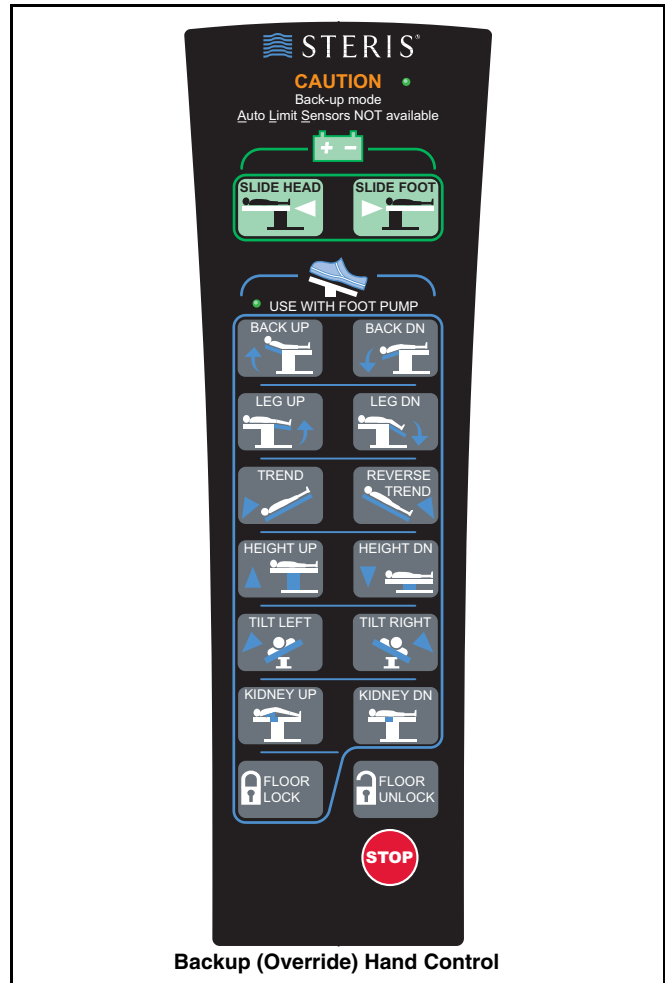
FLOOR UNLOCK and SLIDE functions do not require foot pump actuation. A green LED on the Backup Hand Control indicates the system is active.

TABLE OPERATION

Press the desired position touch pad on the pendant hand control or optional foot control to position/articulate the STERIS 4085 General Surgical Table tabletop (refer to Operator Manual).

The following pre-operative actions must be completed before the table can be used:

- **Power activation:** Use battery power or plug the table power cord into both table base and facility ac power receptacle. Toggle Main Power Switch to ON for facility power.
- **Turn the table on:** Press any button on the hand control to turn table ON. Hand control remains powered for 10 hours from last button press.
- **Lock the table:** Press and hold the FLOOR LOCK button on the Hand Control for one second to order the floor locks into the "locked" position.



Auto Limit Sensor™ control device (using Intelligent Limit Sensors) provides instant user feedback on conflicting tabletop articulations and how to resolve the conflict when the table is positioned in standard configuration.

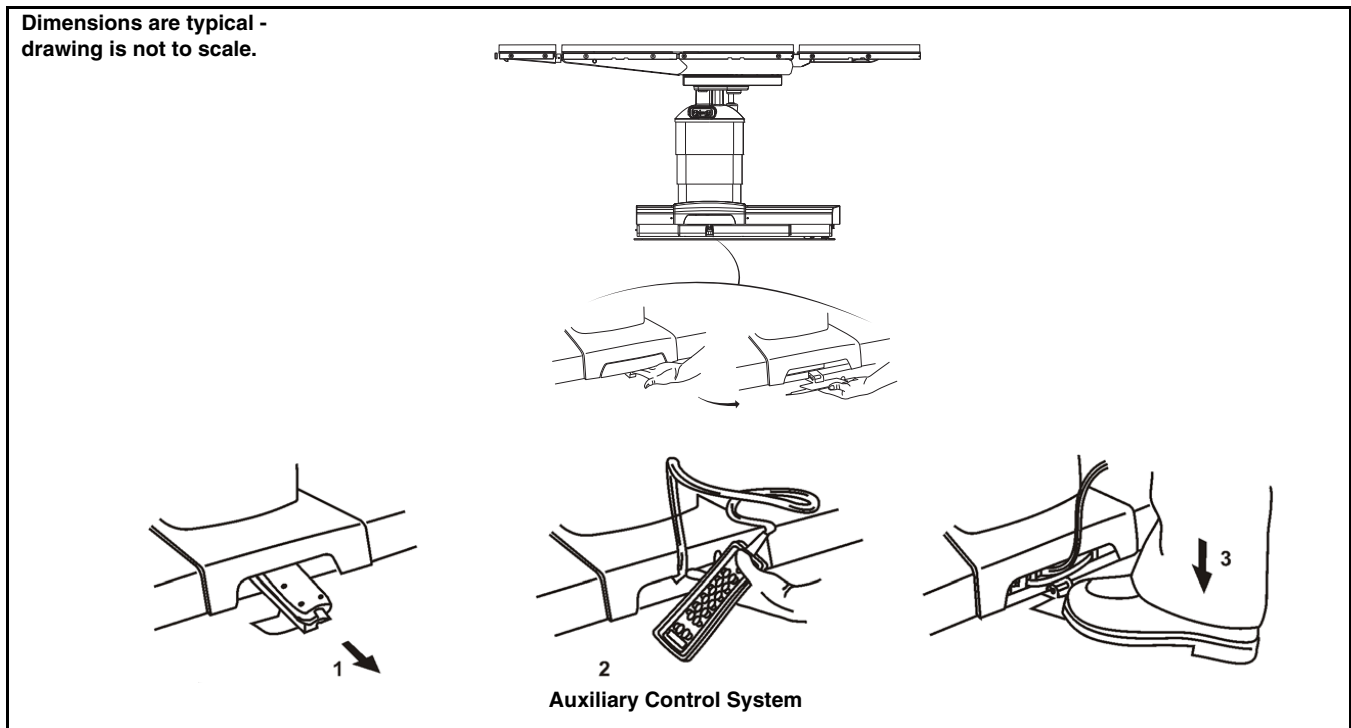


TABLE MOTION

Refer to illustration on next page for the following ranges of table motion:

- Flex/Reflex: $140^{\circ}/100^{\circ} \pm 2^{\circ}$
- Slide Motion: HEAD: $9 \pm 0.5"$ (227 ± 13 mm)
FOOT: $9 \pm 0.5"$ (227 ± 13 mm)
- Height Range: 26 to $45 \pm 0.5"$ (675 to 1136 ± 13 mm)
- Trendelenburg Range: $30^{\circ} \pm 2^{\circ}$
- Reverse Trendelenburg Range: $30^{\circ} \pm 2^{\circ}$
- Tilt Range: $20^{\circ} \pm 2^{\circ}$
- Back Section Motion: UP: $80^{\circ} \pm 2^{\circ}$
DOWN: $40^{\circ} \pm 2^{\circ}$
- Leg Section Motion: UP: 0°
DOWN: $105^{\circ} \pm 2^{\circ}$
- Kidney Elevator Mechanism: $4 \pm 0.5"$ (110 ± 13 mm)

PREVENTIVE MAINTENANCE

Customers are encouraged to contact STERIS concerning our comprehensive preventive maintenance program. Under the terms of this program, preventive maintenance, adjustments and replacement of worn parts are provided on a scheduled basis to help ensure optimal equipment performance and help avoid untimely or costly interruptions. STERIS maintains a global staff of well equipped, factory-trained technicians to provide these services, as well as expert repair services. Please contact STERIS for details.

NOTES

1. Approximate Table Operating Weight: 560 lbs (250 kg).
2. Latex-free pads are standard for this table.
3. Patient Weight Capacity:
 - **1100 lb (499 kg)** load; without patient positioning (no tabletop articulation or slide).

- **1000 lb (454 kg)** load; includes all patient positioning except tabletop slide.
 - **600 lb (272 kg)** load; includes all patient positioning and full tabletop slide.
4. STERIS 4085 table accessories have specific weight claims/capacities. Accessories may reduce table patient weight capacity. Refer to specific accessory Operator Manual or contact STERIS for details.
 5. A patient grounding post/potential equalization terminal (male connector, DIN 42801) is provided with the table. The female connector for patient grounding is not furnished by STERIS.
- 6. WARNING – EXPLOSION HAZARD:** *Table must not be used in the presence of flammable anesthetics.*

UTILITY REQUIREMENTS

Power Source:

Battery/Electric-Powered Table

Line Power Input:

100/120/220/230-240 V ac (Jumper Selectable), 1 \emptyset , 50/60 Hz, 4 Amp

Environmental Conditions:

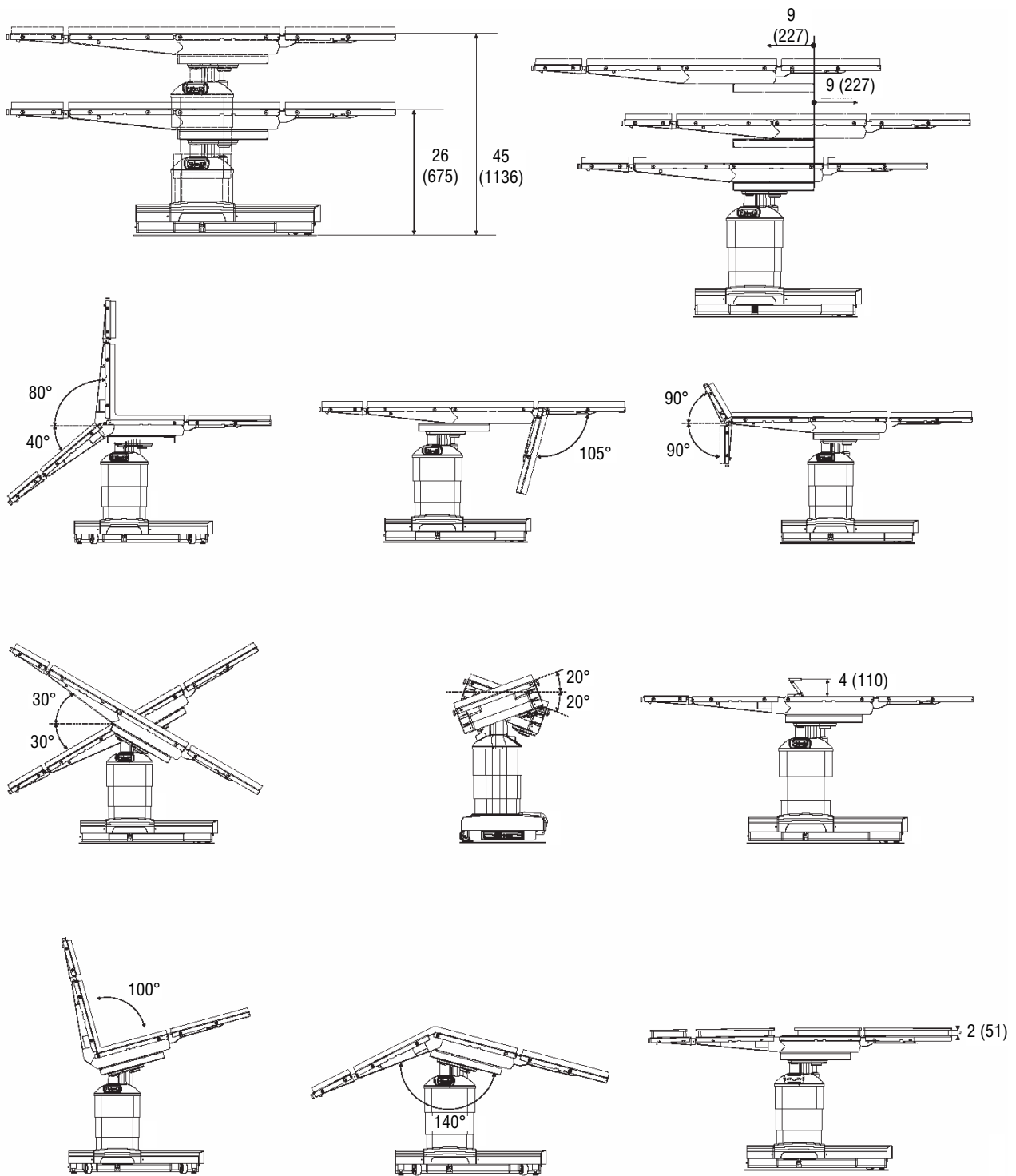
Temperature: 32-122°F (0-50°C)

Relative Humidity (RH): 20-80%

CUSTOMER IS RESPONSIBLE FOR COMPLIANCE WITH APPLICABLE LOCAL AND NATIONAL CODES AND REGULATIONS.

The base language of this document is ENGLISH. Any translations must be made from the base language document.

Dimensions are typical -
drawing is not to scale.



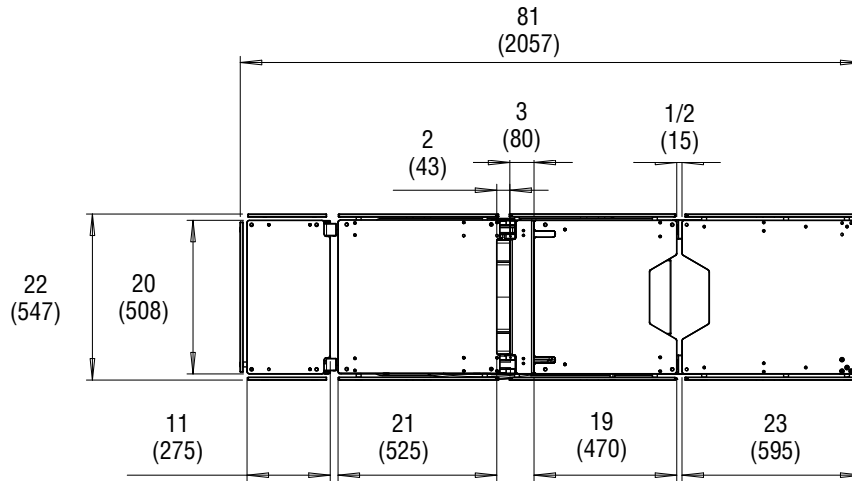
Dimensions are inches (mm). SAE measurements are approximate based on metric dimensions.
Linear dimensions are $\pm 0.5"$ (± 13 mm).
Angular dimensions are $\pm 2^\circ$.

STERIS 4085 General Table Range Of Motion (Typical)

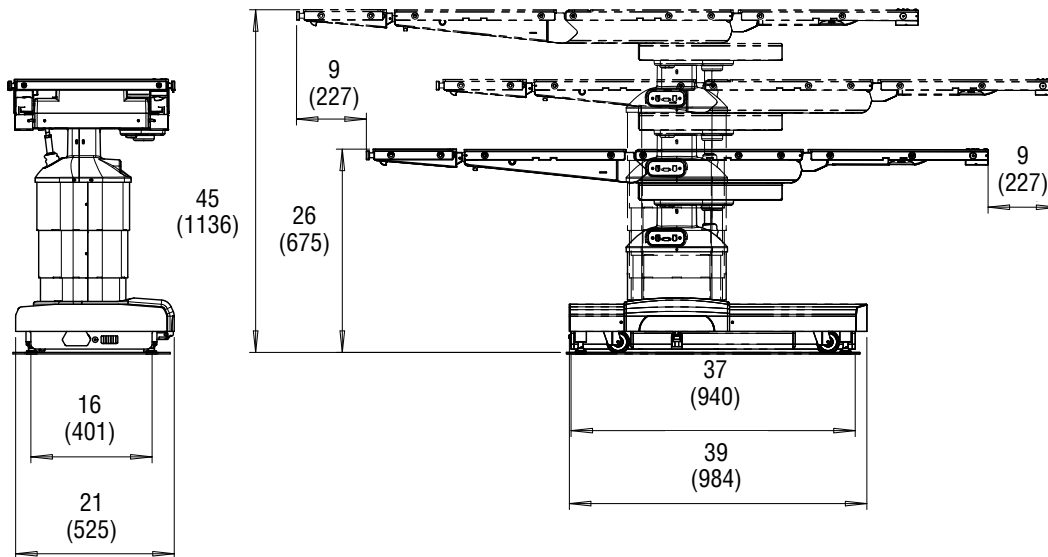
Reference the following equipment drawing for installation details

| Equip. Dwg. No. | Equipment Drawing Title |
|-----------------|------------------------------------|
| 150832-642 | STERIS 4085 General Surgical Table |

Dimensions are typical - drawing is not to scale.



Dimensions are inches (mm). SAE measurements are approximate based on metric dimensions.
 Linear dimensions are $\pm 0.5"$ (± 13 mm).
 Angular dimensions are $\pm 2^\circ$.



WARNING – EXPLOSION HAZARD: Table must not be used in the presence of flammable anesthetics.

For Further Information, contact:



Global Headquarters
 STERIS Corporation
 5960 Heisley Road
 Mentor, OH 44060-1834 • USA
 440-354-2600 • 800-548-4873
 www.steris.com

This document is intended for the exclusive use of STERIS Customers, including architects or designers. Reproduction in whole or in part by any party other than a Customer is prohibited.