

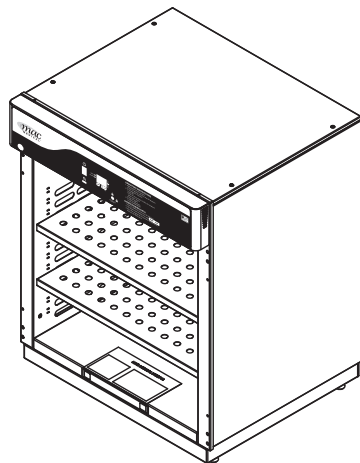
# D-Series Data Logging Blanket & Fluid Warming Cabinets



## Model # SWC183036

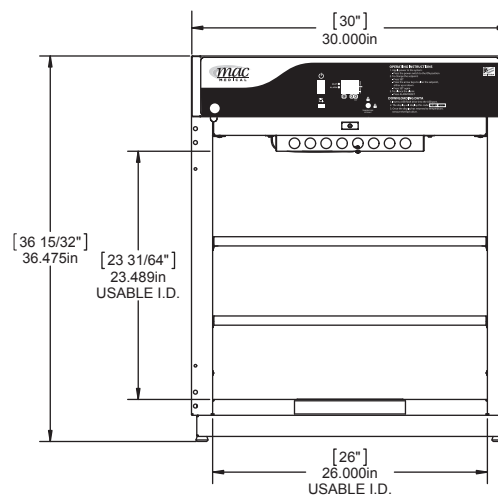
### DIMENSIONS

SHOWN WITH OPTIONAL 2" BASE

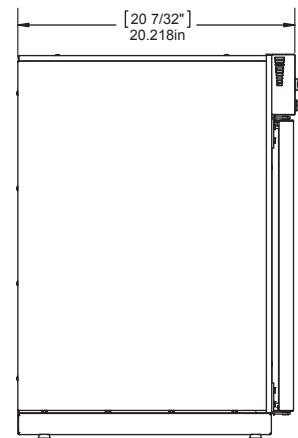


DOOR REMOVED FOR CLARITY

FRONT VIEW



SIDE VIEW



### SPECIFICATIONS

#### Overall Size

20.5"D x 30"W x 36"H  
(520.7mm x 762mm x 914.4mm)  
2 Adjustable Shelves

#### Chamber I.D.

17"D x 26"W x 25"H  
(431.8mm x 660.4mm x 635mm)  
6.39 Cubic Feet Storage  
Temperature Range 90°-160° F (Tolerance +/- 2° F)

#### Electrical

120V, 5.7 Amp, 50/60 Hz, .45 kWh (Avg.),  
1535 BTU/hr (Avg.)

#### Approximate Capacity

32 Blankets & 36 Solution Bottles (1 Liter Each)

#### Door Types

Stainless Steel or Glass